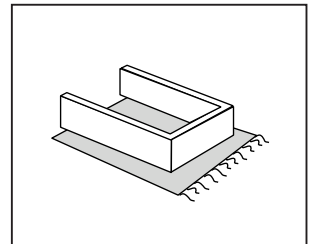
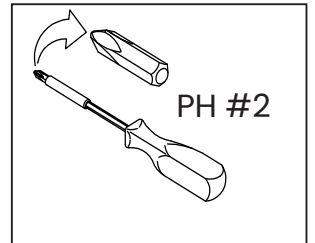
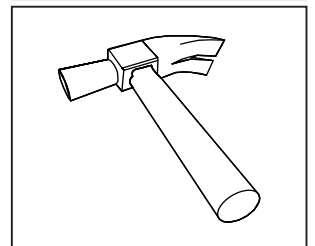
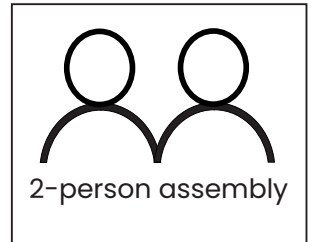


Assembly Instructions



Model #	Finish
CMC0703	Brushed White
CMC0705	Brushed Walnut

Thank you for choosing Grain Wood Furniture, it is an honor to be in your home!
If you have any questions, feedback, or need replacement parts please contact us at:
grainwoodfurniture.com/help or support@grainwoodfurniture.com

**Mid Century
5-Drawer Chest**

GrainWood
FURNITURE.COM

PLEASE READ BELOW BEFORE BEGINNING ASSEMBLY




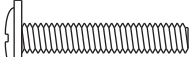

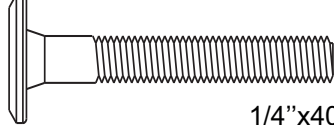

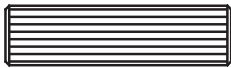
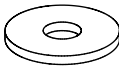
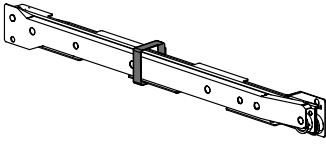
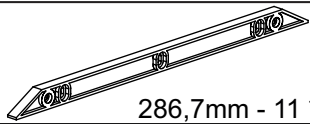
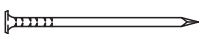
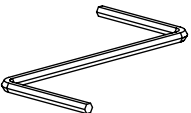
- Enlist help from a friend or family member as most items require two people for proper assembly.
- Choose a spacious, open area near where the piece will be located once assembled. It is easier to move parts than to relocate the furniture after it is fully assembled.
- Do not throw away packaging material until assembly is complete.
- Assemble the item on a soft surface, such as cardboard or an old blanket in order to protect the finish from possible dents or scratches.
- Lay out the parts in order and count them twice. In case any parts are missing or damaged, document the problem with pictures and contact support so we can make it right.
- Solid wood furniture may present imperfections such as wood knots, minor splits or cracks which are a natural aspect of the material. Whenever stability of the furniture is not compromised, we recommend customers perform cosmetic touch-ups with wax crayon fillers sold at all major hardware stores.
- It is best to use the tools provided in the box, such as a hex key, because they may be specially sized for the piece of furniture.
- We do not recommend the use of power drills as they can damage your furniture if not used correctly.
- Use a carpenter's square or hardcover book to check angles when assembling drawers and doors. If they are not at 90 degrees, they will not close properly.
- If you have any problems, we are here to help. Just go to grainwoodfurniture.com/help.
- See grainwoodfurniture.com/care-guide for suggestions that will help your furniture last for years.

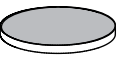
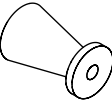
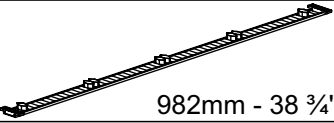


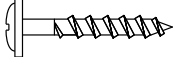

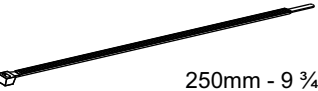
grainwoodfurniture.com/assembly-troubleshooting

Enjoy your 100% solid wood furniture!

HARDWARE LIST

A1	 4,0x30	50 + 3
A4	 3,5x14	14 + 1
A9	 3,5x16	15 + 2
A25	 M4x25	10 + 1
A40	 4,0x45	6 + 1
B25	 1/4"x40	4
B31	 6,0x10	40 + 2
C1	 8,0x30	56 + 3
D41	 5/16"x24x2	4 + 1
E21	 385mm - 15 1/4"	5
E22		5
E24	 286,7mm - 11 1/4"	5
G1	 10x10	38
G8		1

G14	 Ø20x1,5	4
H16		10
I2	 982mm - 38 3/4"	01

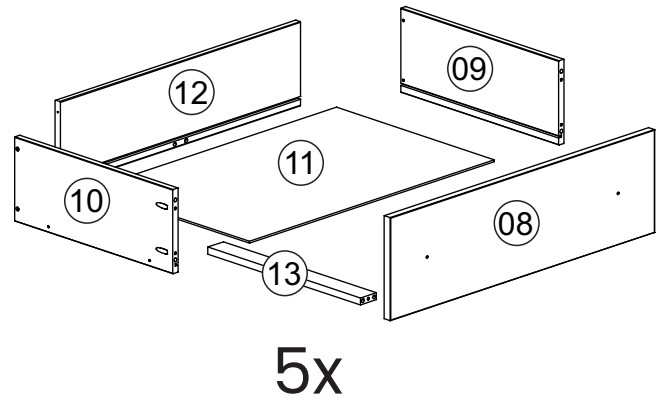
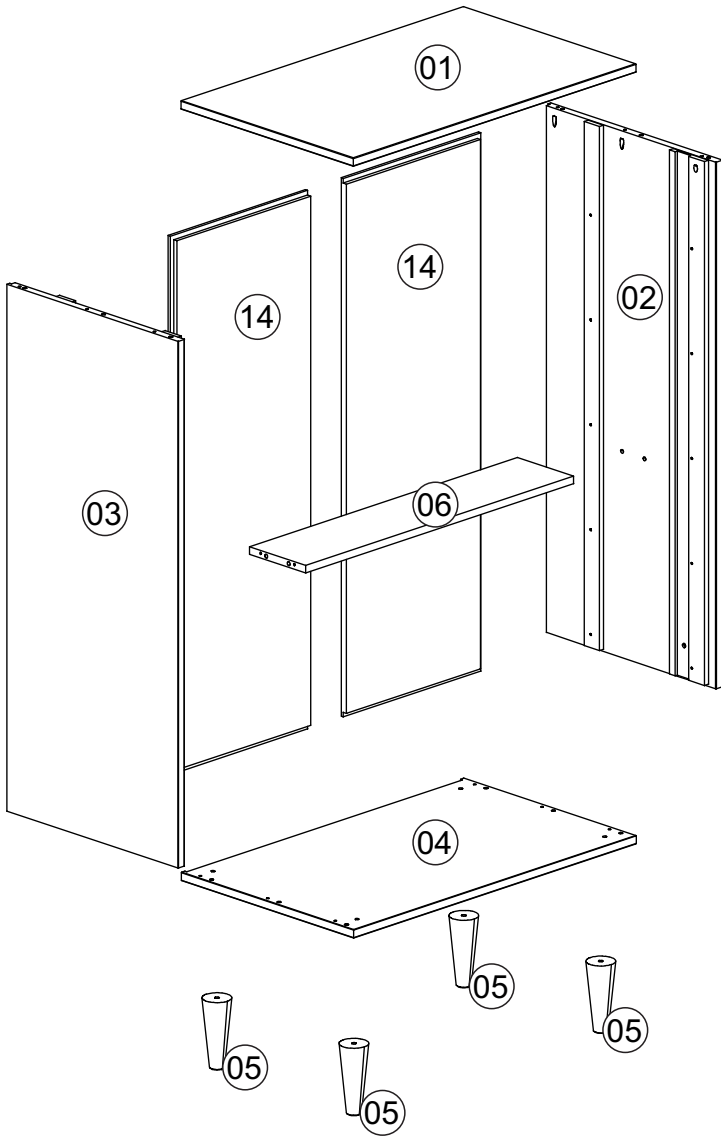
ANTI-TIPPING RESTRAINT KIT		
A47	 3,0x20	2 + 1
F8		2
F15	 250mm - 9 3/4"	1

! ATTENTION

Before starting assembly please verify the hardware set is complete.

For missing hardware please contact us at grainwoodfurniture.com/help

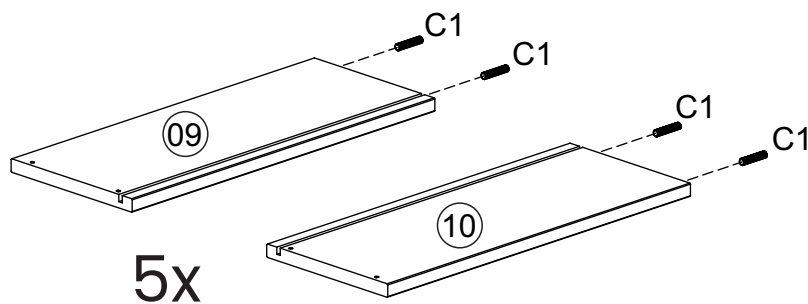
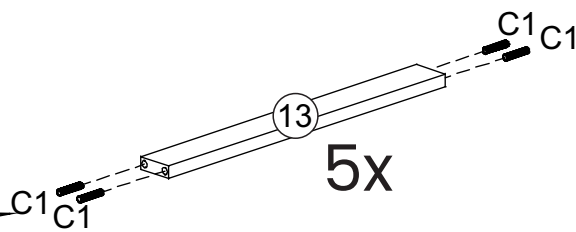
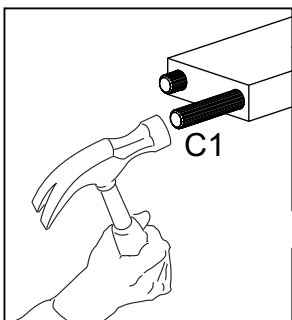
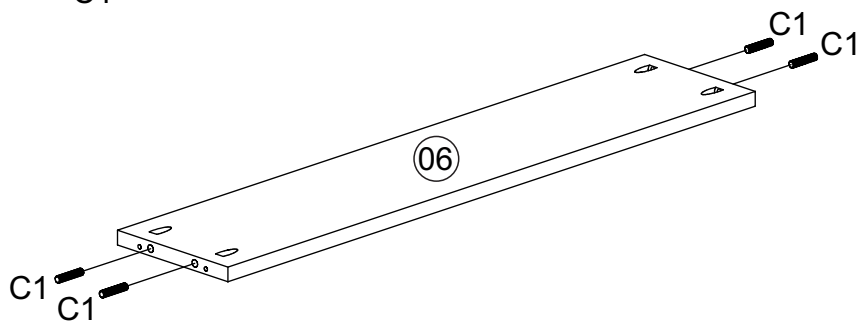
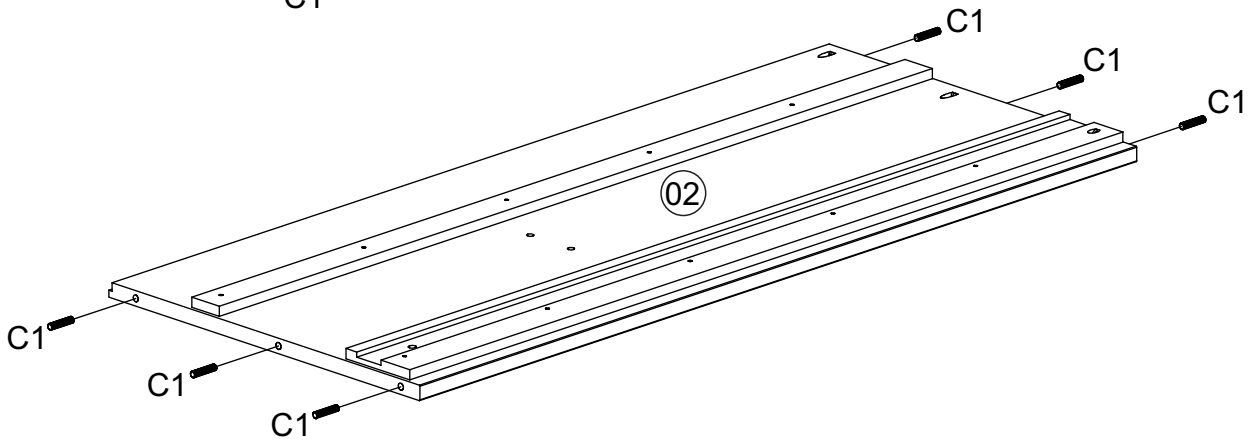
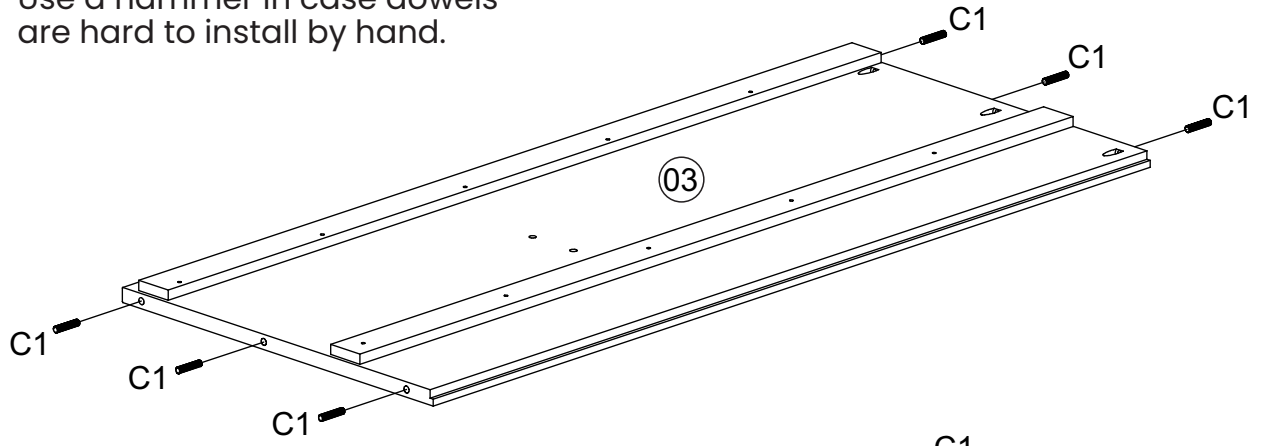
WARNING:
CHOKING HAZARD
Small parts, not for children.
To be assembled by an adult.




BOX A - 1 of 2		
Part #	Description	Qty.
02	Right side	1
03	Left side	1
09	Drawer right side	5
10	Drawer Left side	5
13	Drawer bottom support	5
14	Back panel	2

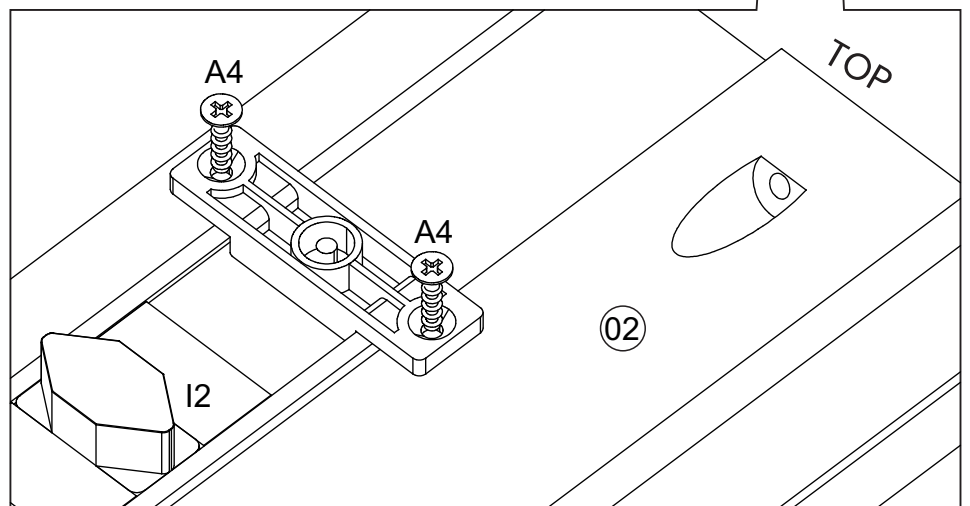
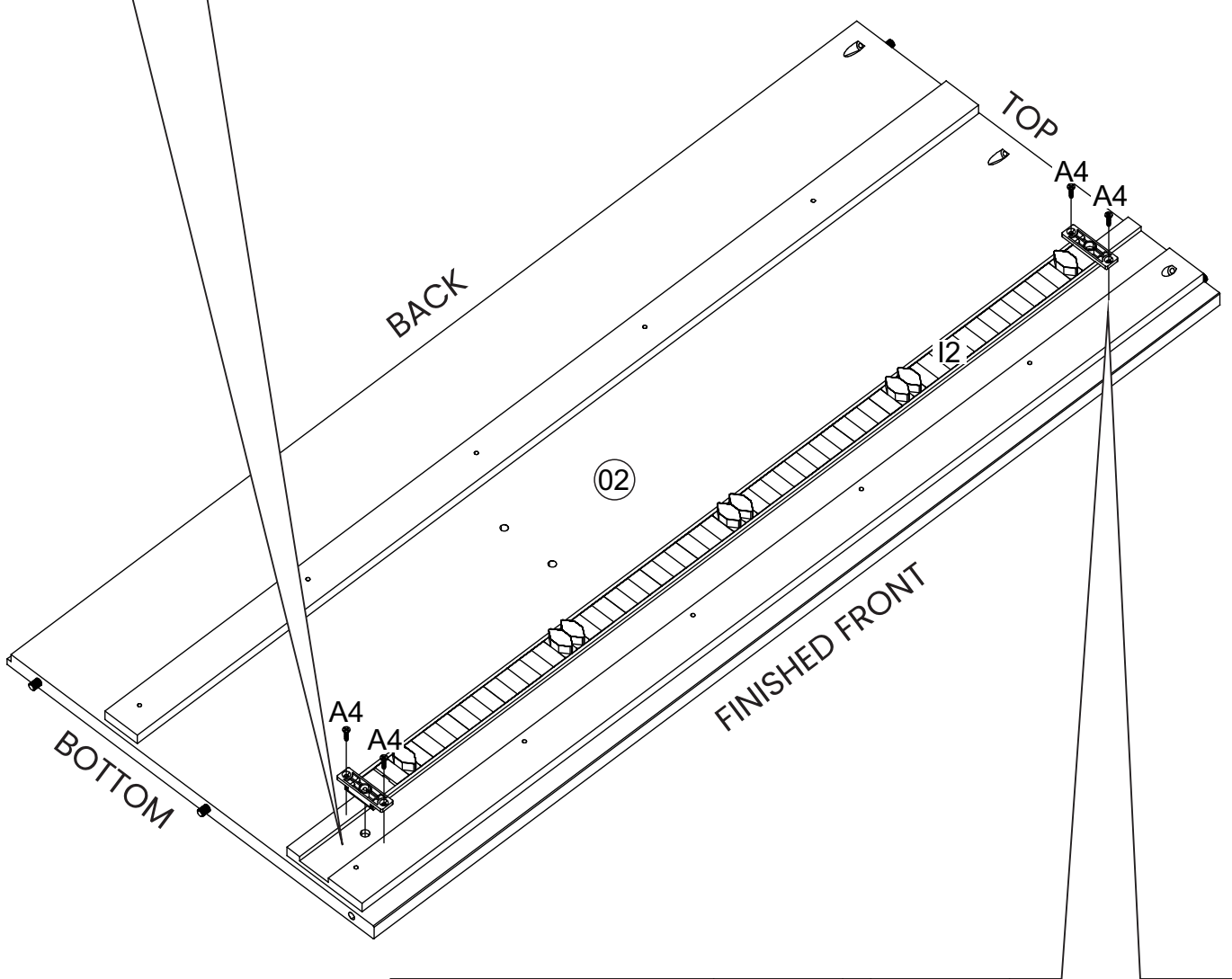
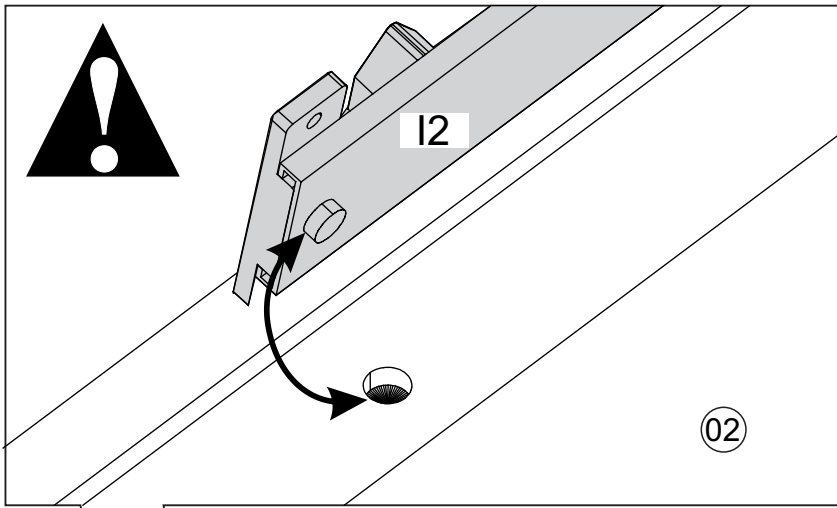
BOX B - 2 of 2		
Part #	Description	Qty.
01	Top	1
04	Base	1
05	Foot	4
06	Stabilizing panel	1
08	Drawer front	5
11	Drawer bottom	5
12	Drawer back	5
HW	Hardware	1



1) Tip:
Use a hammer in case dowels
are hard to install by hand.



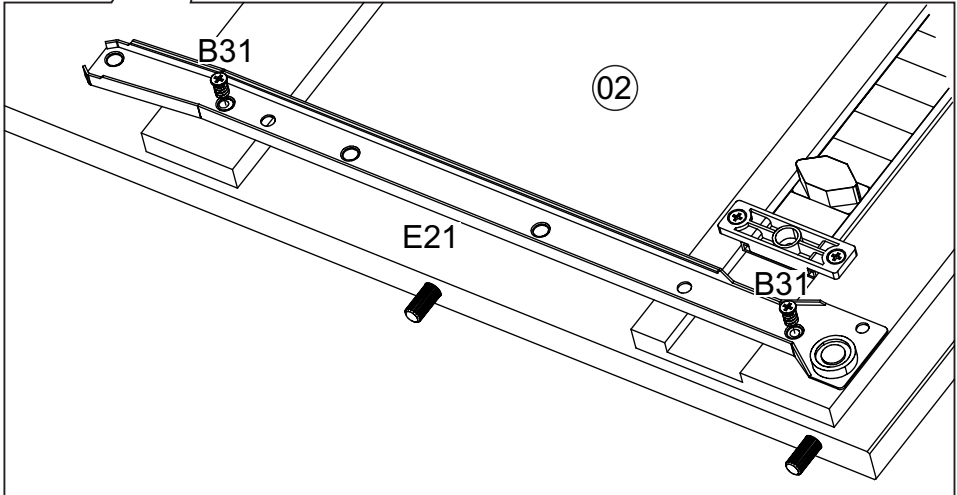
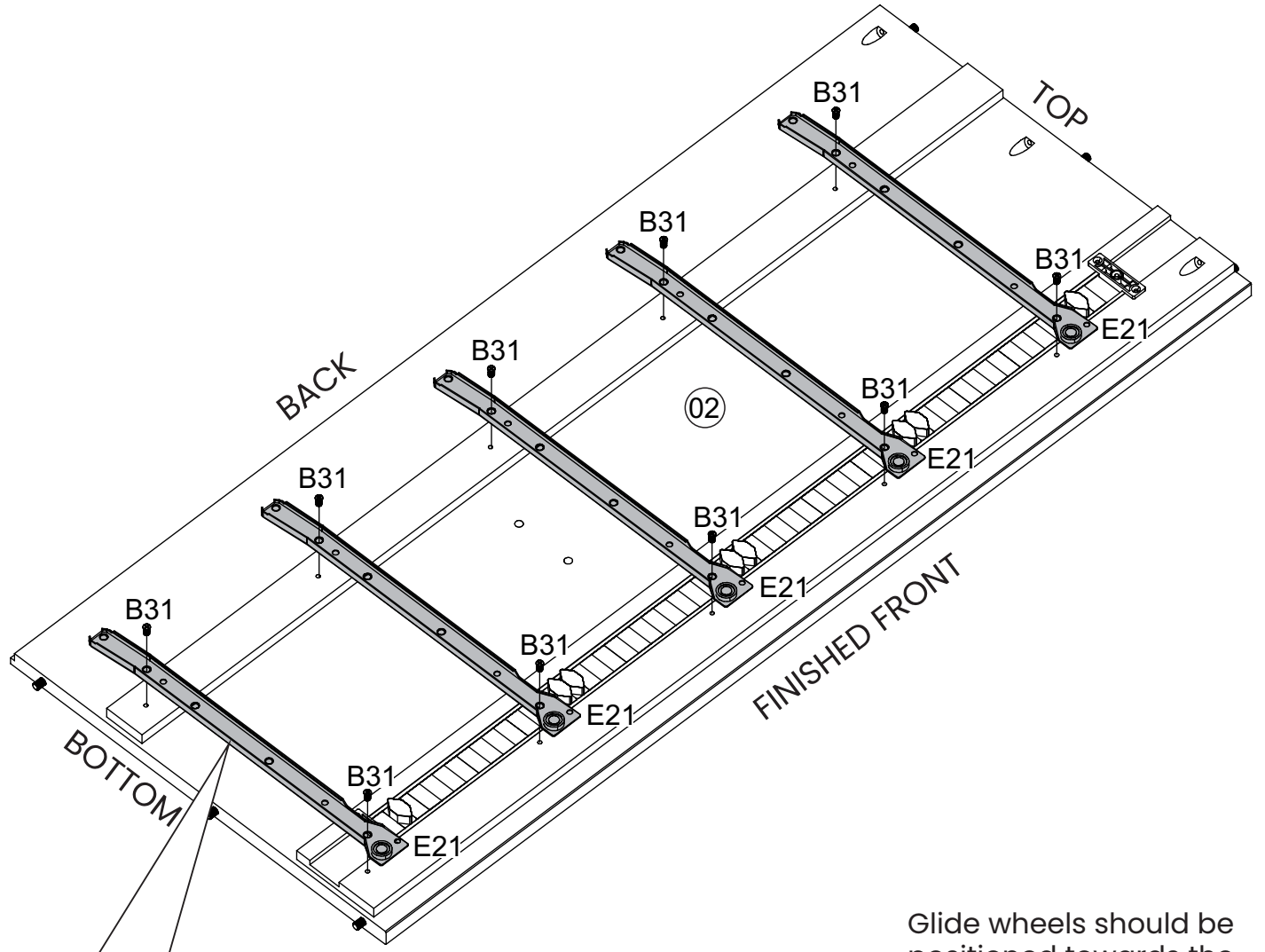
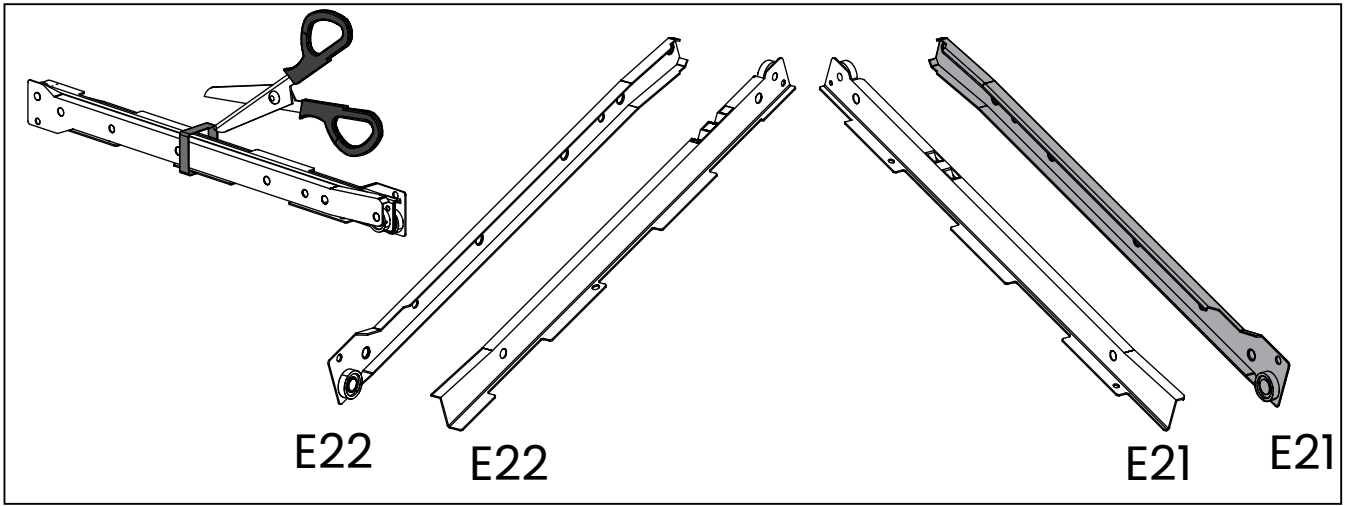
C1		56
	8,0x30	

2)


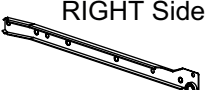


A4	 3,5x14	4
I2		1

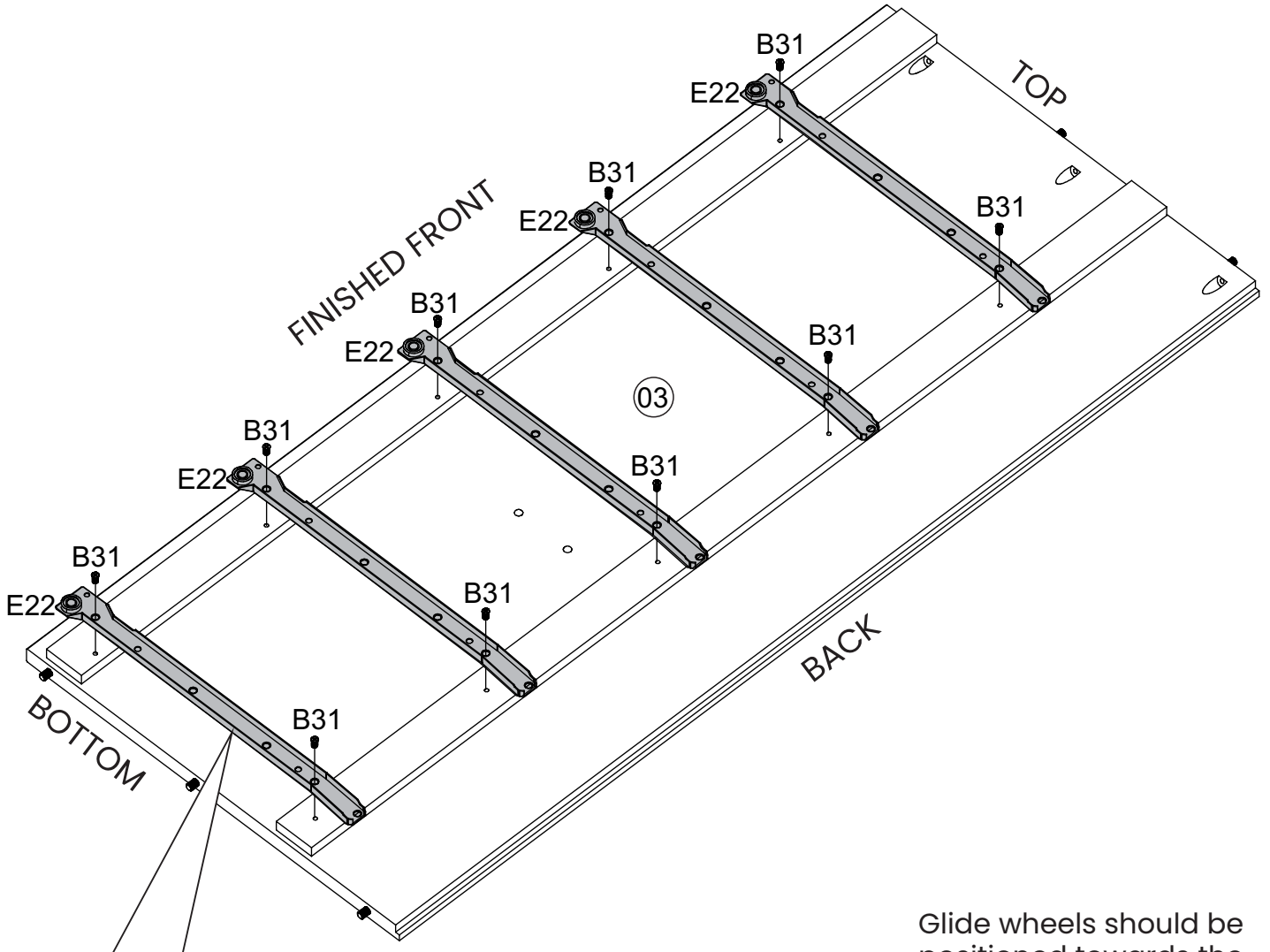
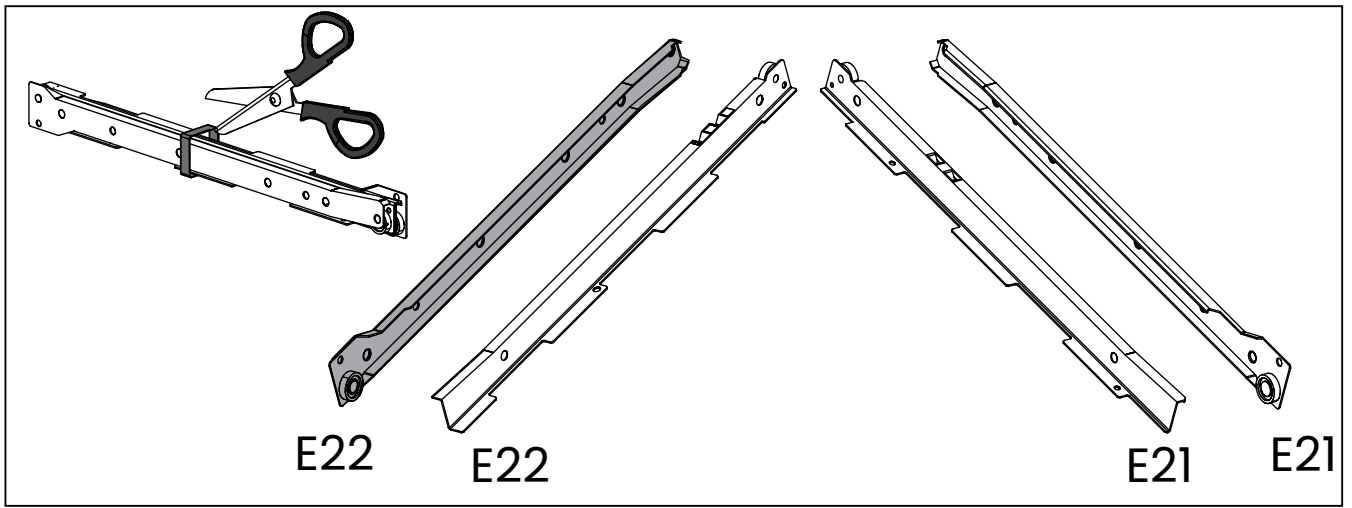
3)



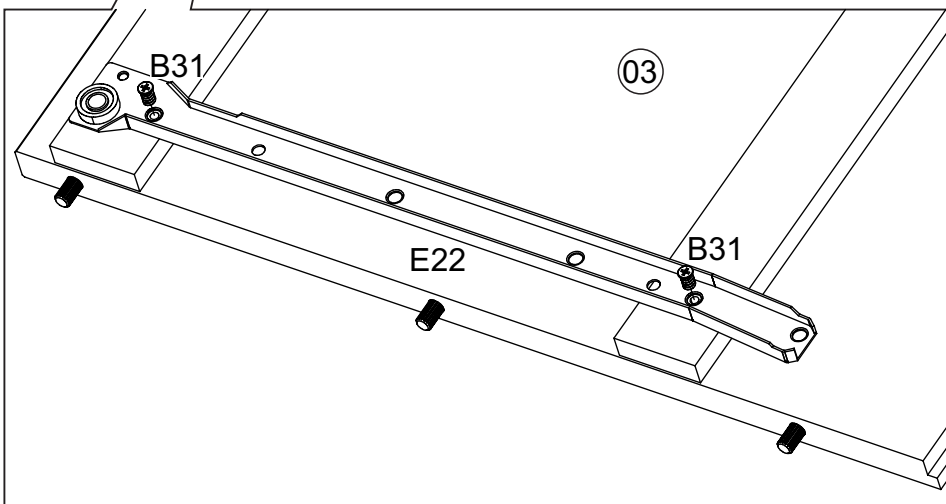
Glide wheels should be positioned towards the front and bottom of the side panel.


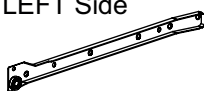
B31	 6,0x10	10
E21	 RIGHT Side	5

4)

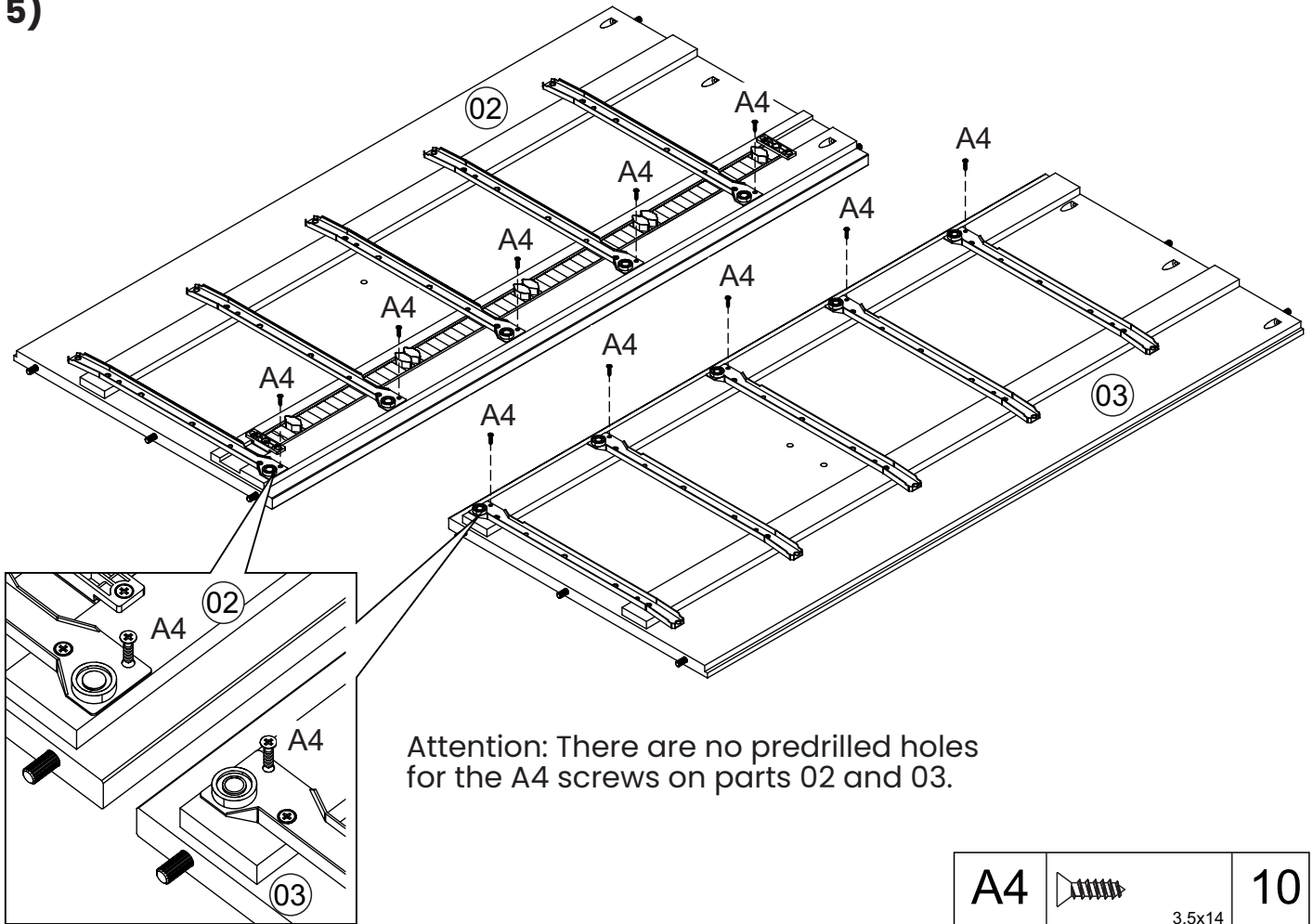


Glide wheels should be positioned towards the front and bottom of the side panel.

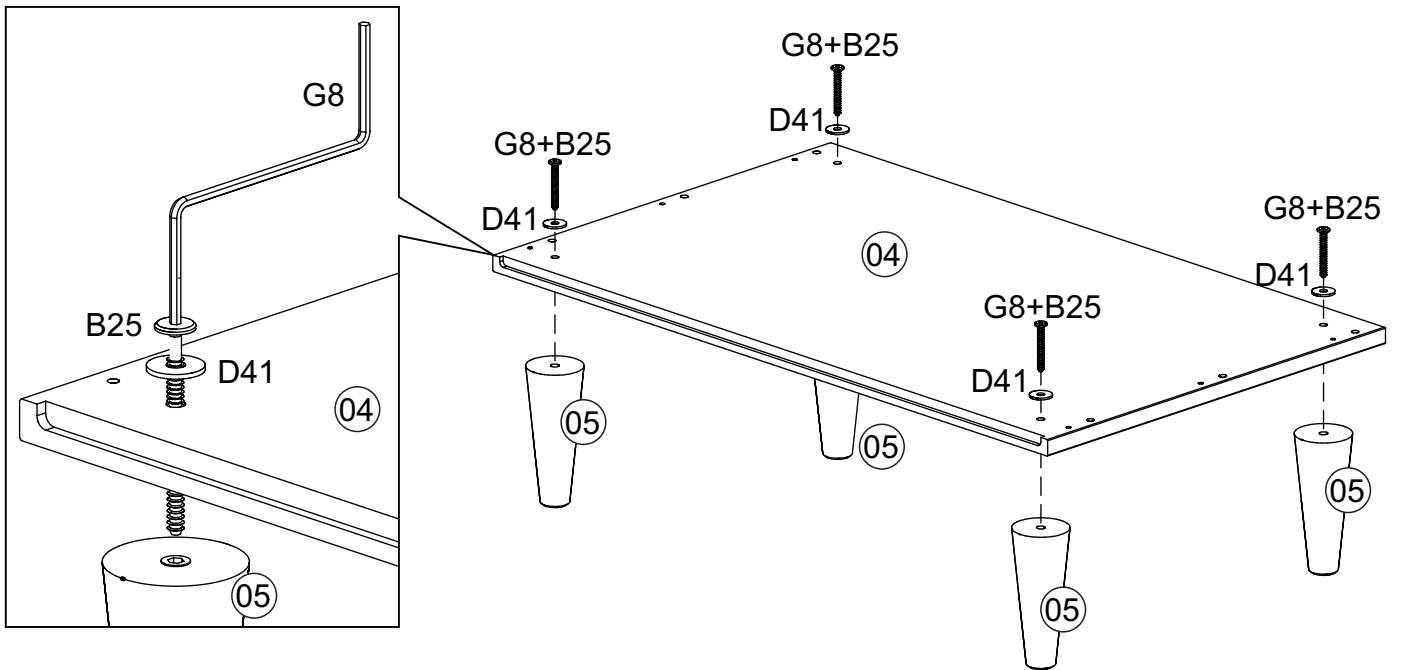





B31		10
E22	LEFT Side 	5

5)

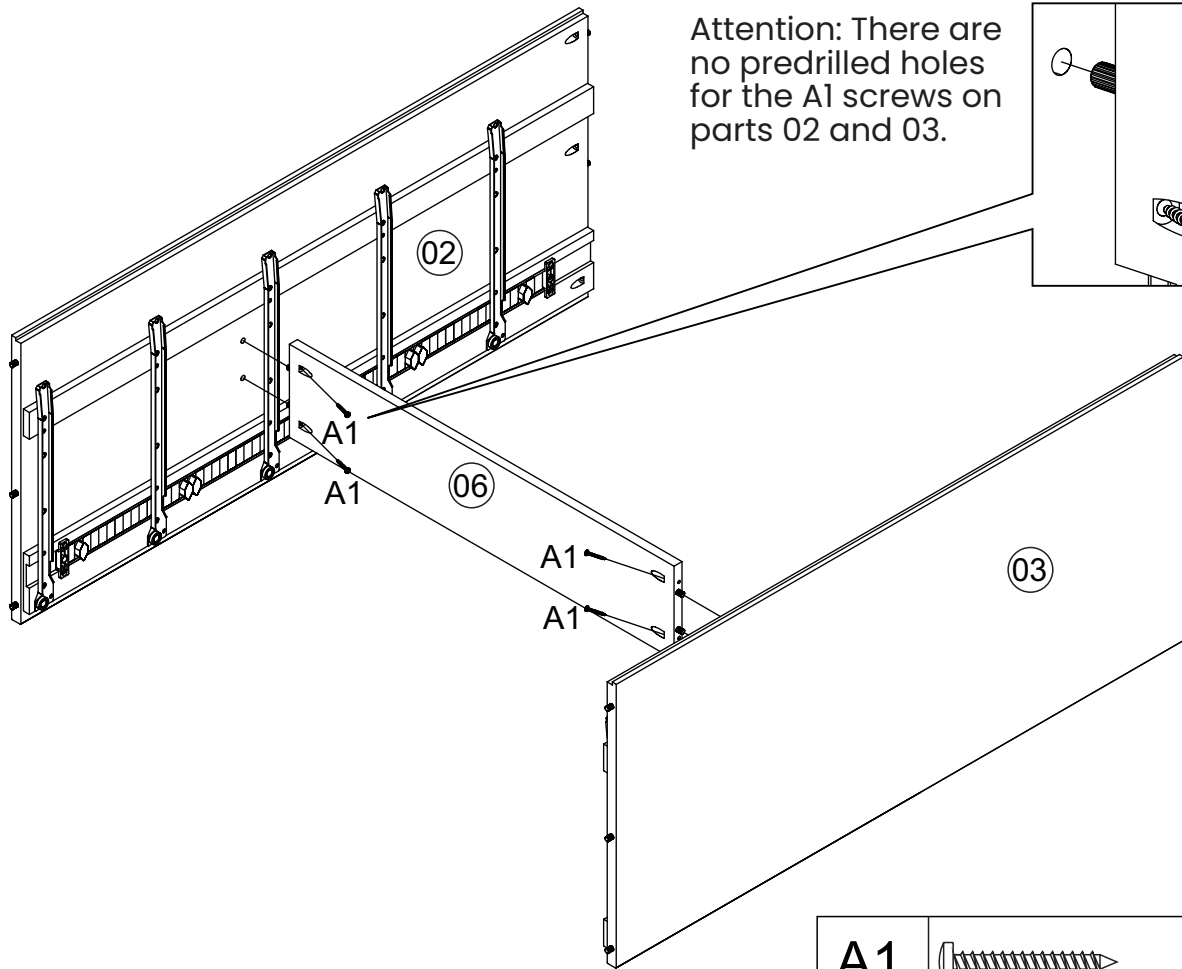


6)

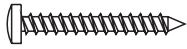


B25		4	D41		4	G8		1
1/4"x40			5/16"x24					

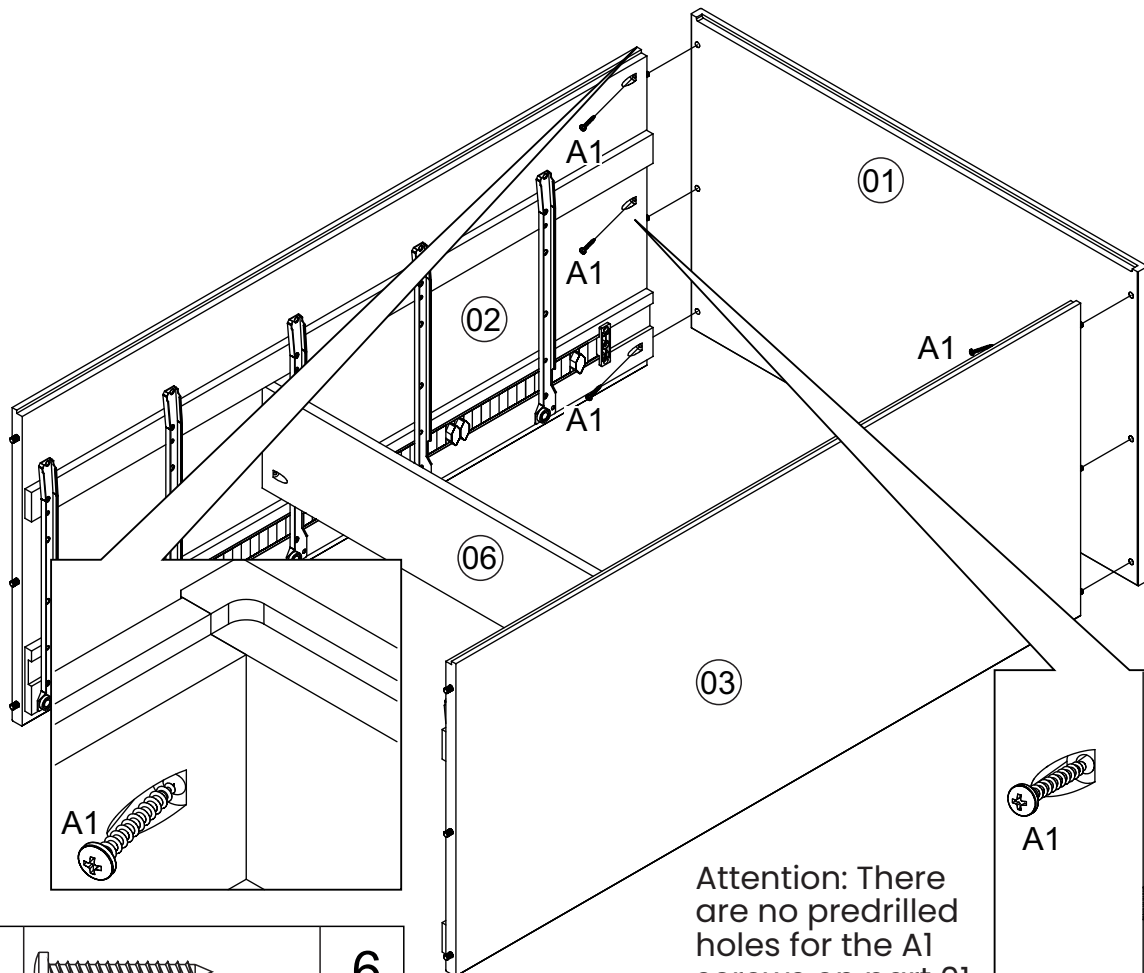
7)



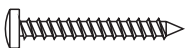
Attention: There are no predrilled holes for the A1 screws on parts 02 and 03.

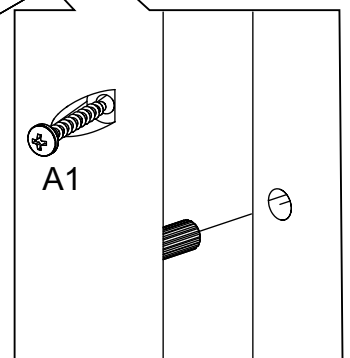
A1		4
4.0x30		

8)

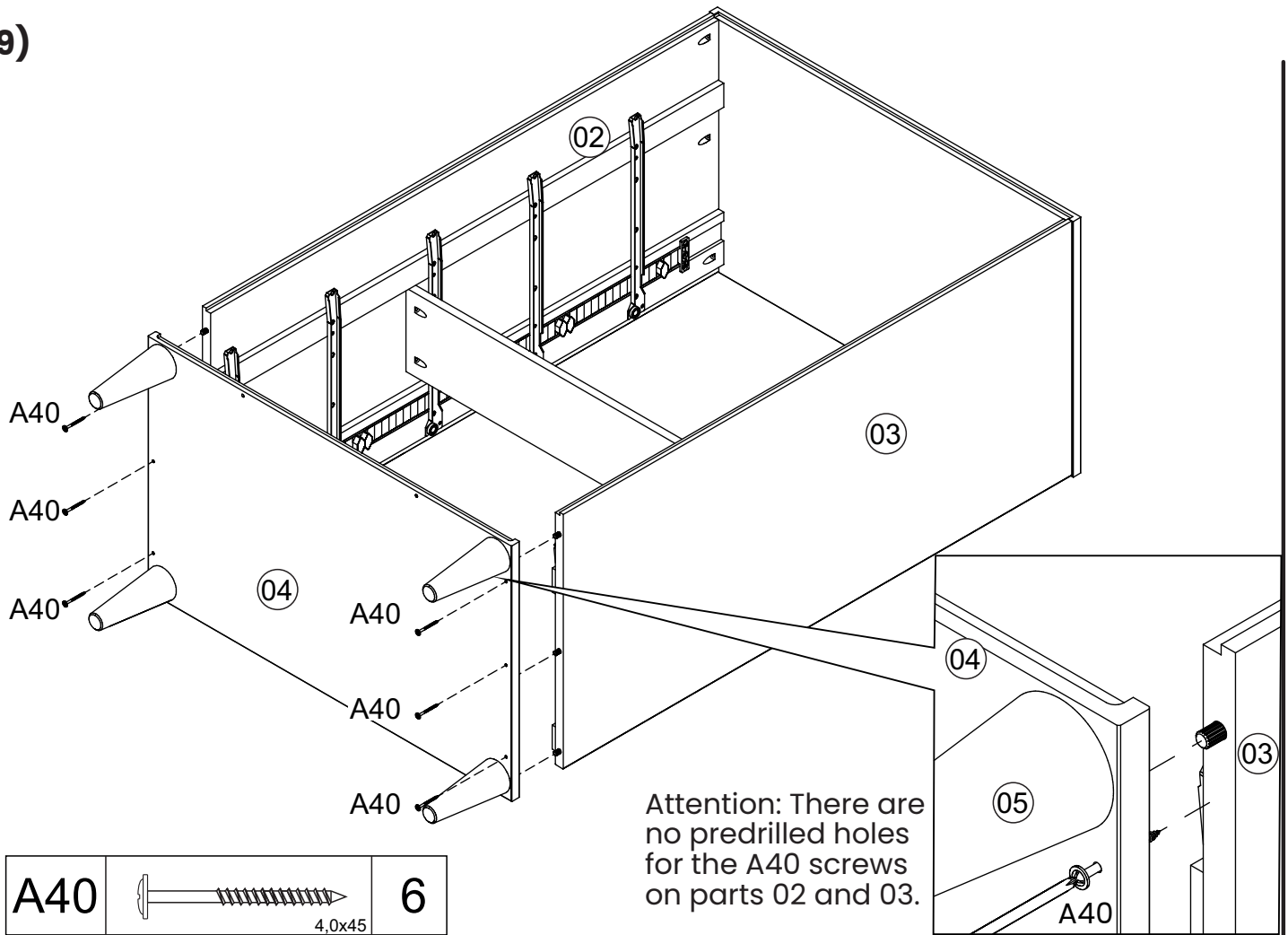


Attention: There are no predrilled holes for the A1 screws on part 01.

A1		6
4.0x30		

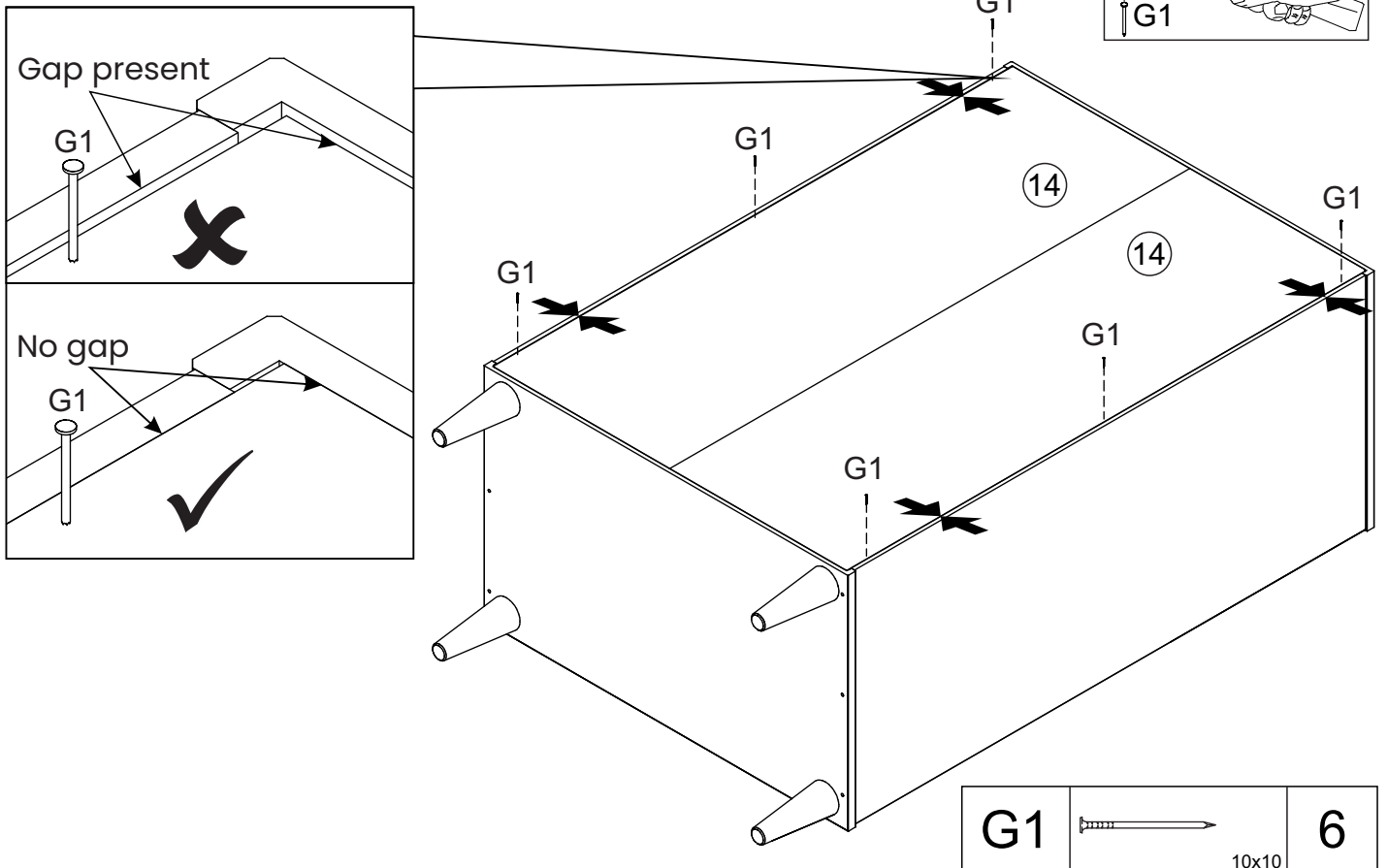


9)

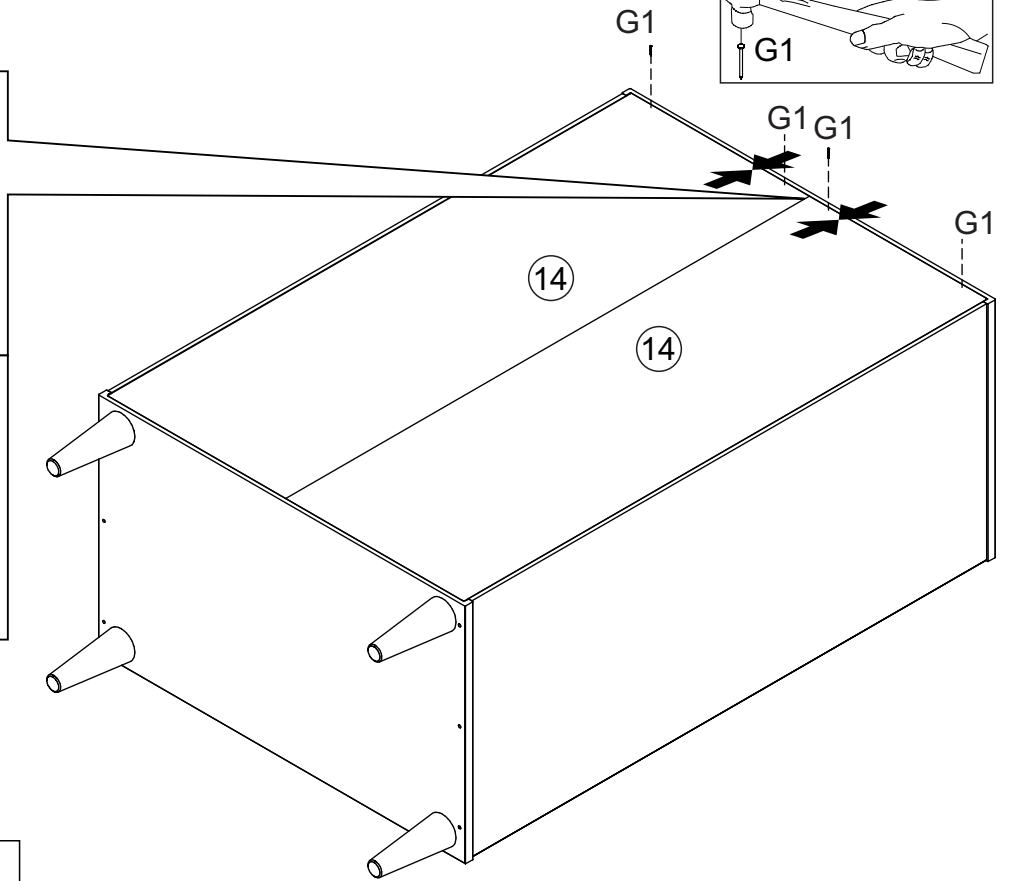
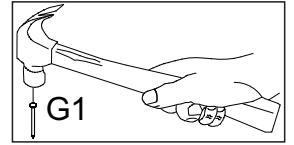
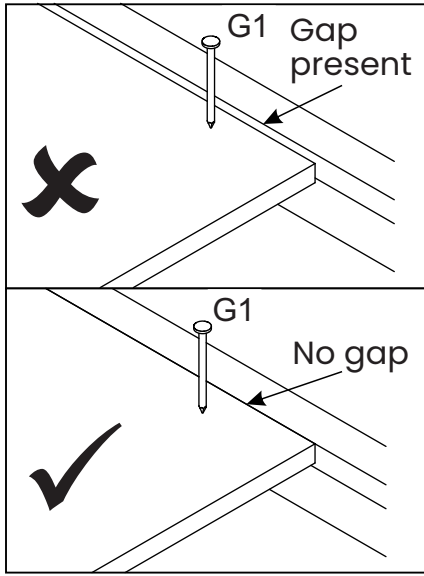



10)

Make sure back panels are perfectly aligned with side panels and top and there are no gaps.

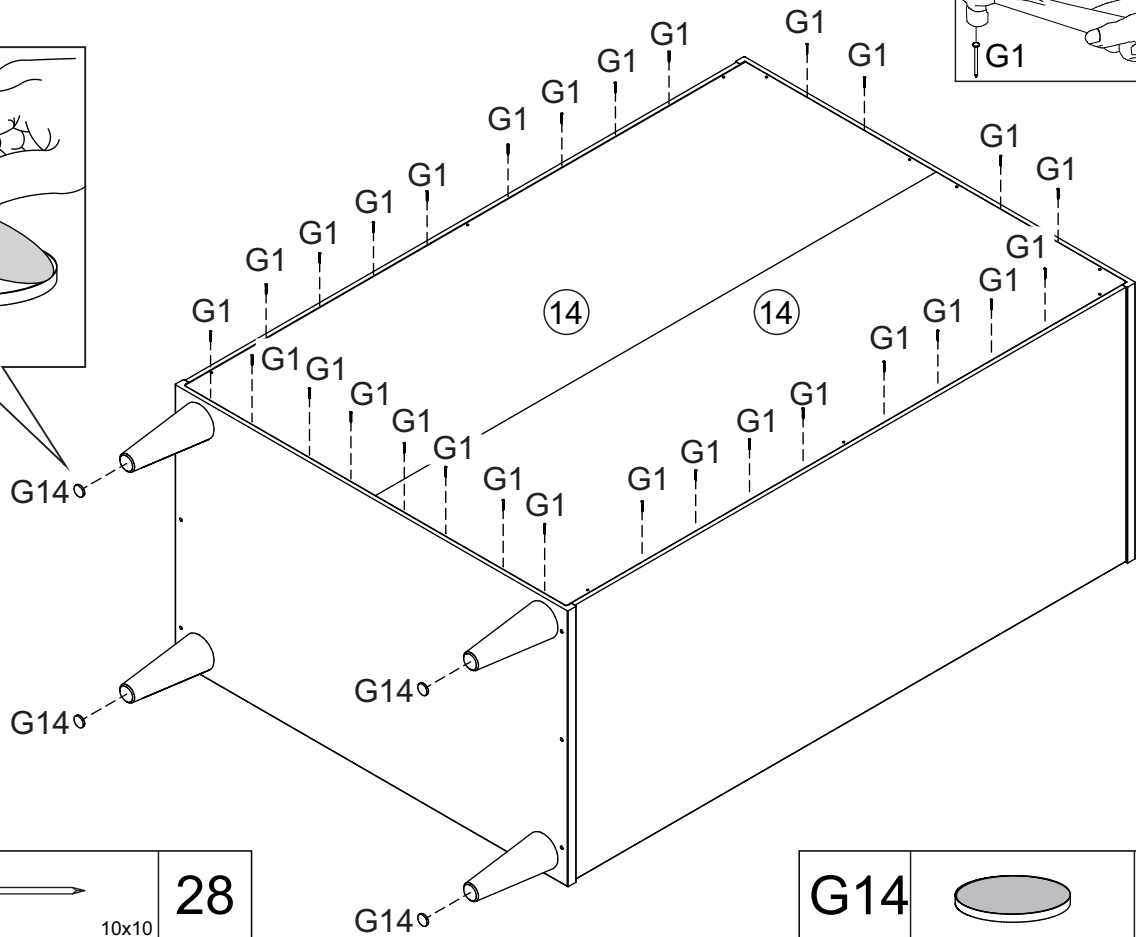
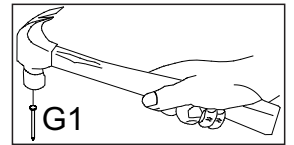



11)




G1		10x10	4
----	---	-------	---

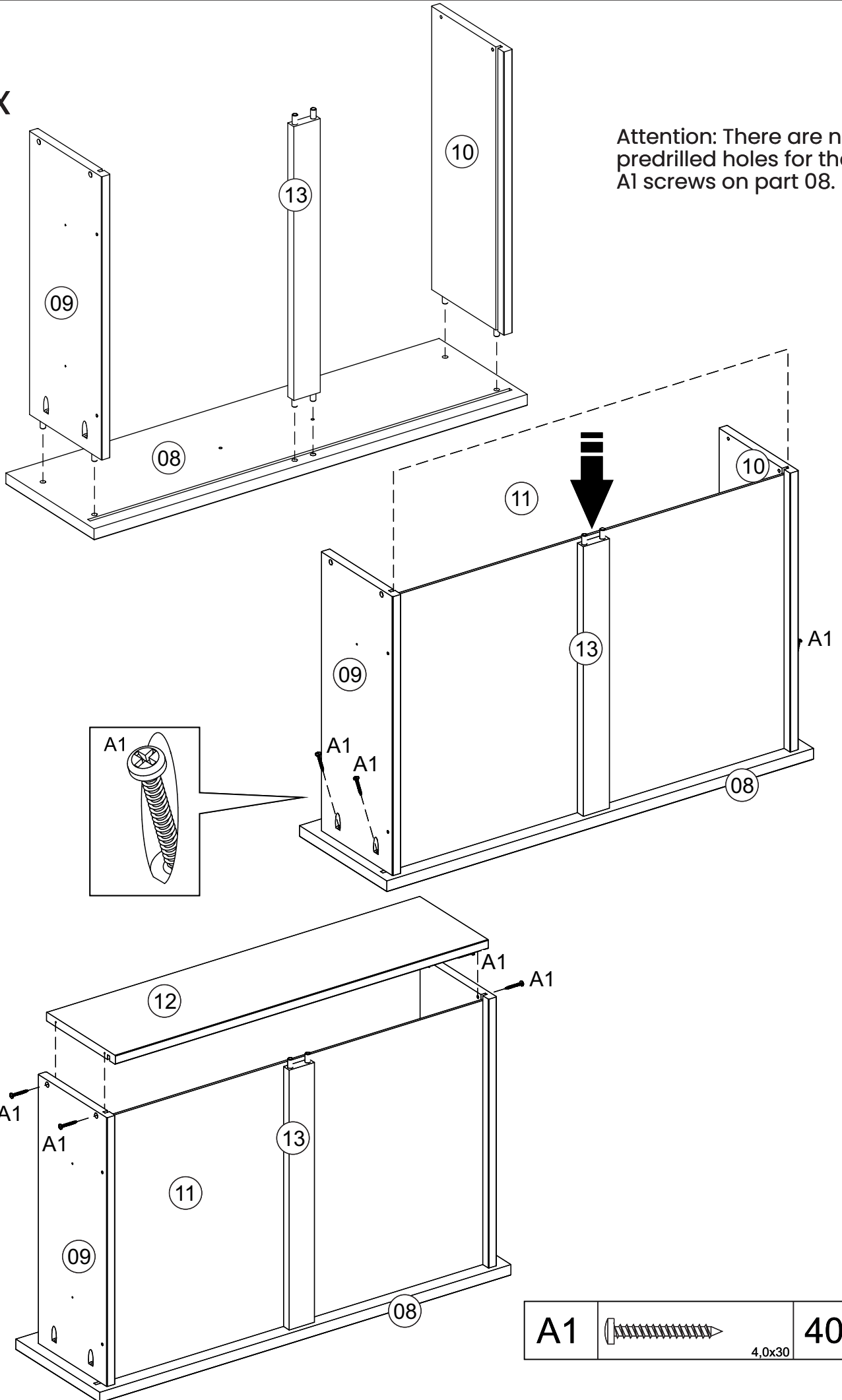
12)




G1		10x10	28
----	---	-------	----

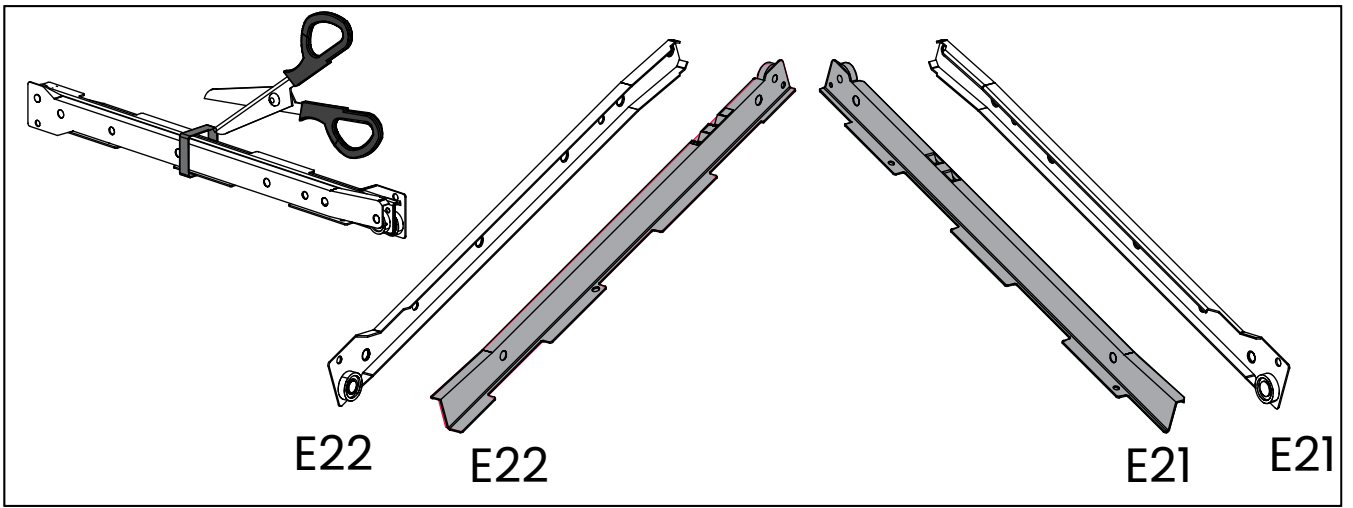
G14		4
-----	---	---

5x

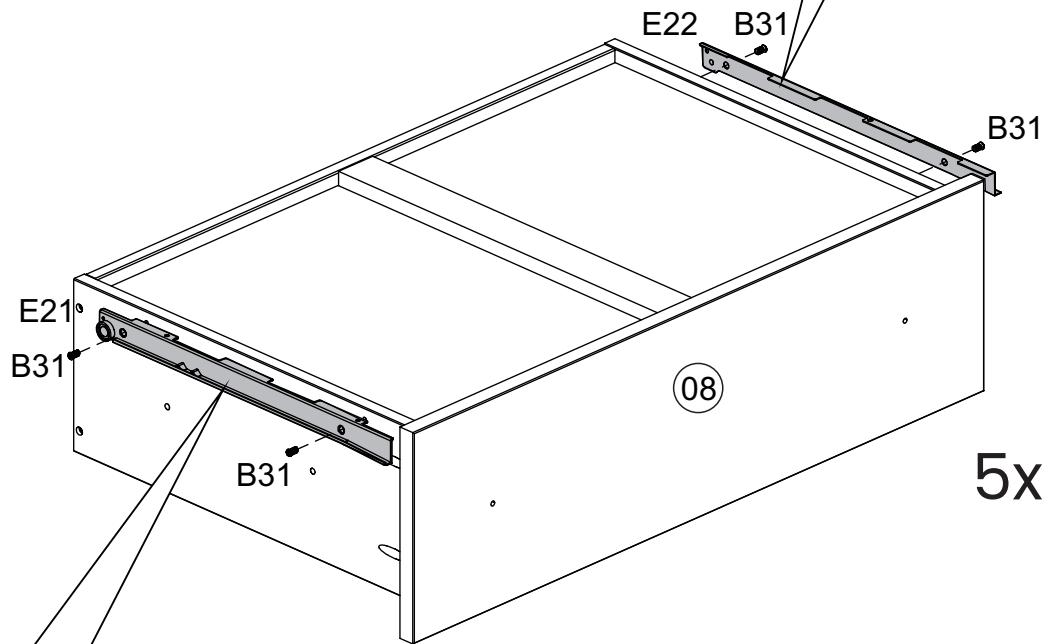
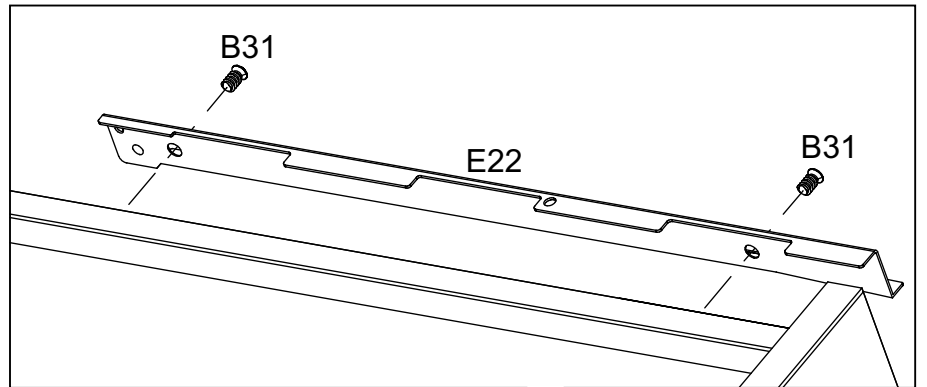


A1		40
		4,0x30

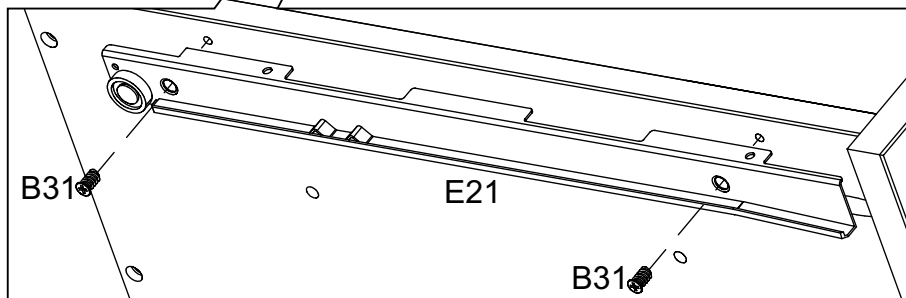
14)



Flip the assembled drawer upside down to install glides.



5x



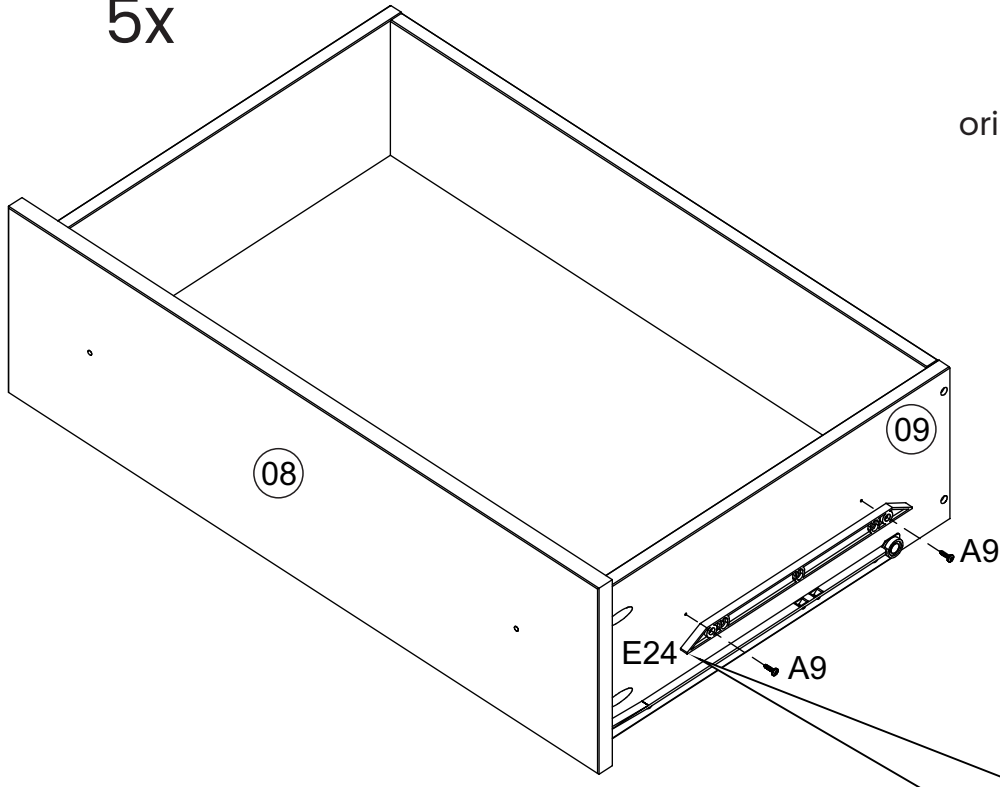
B31		20
		6,0x10

E21	Drawer RIGHT	5
-----	--------------	---

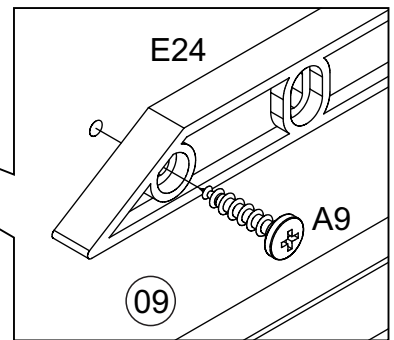
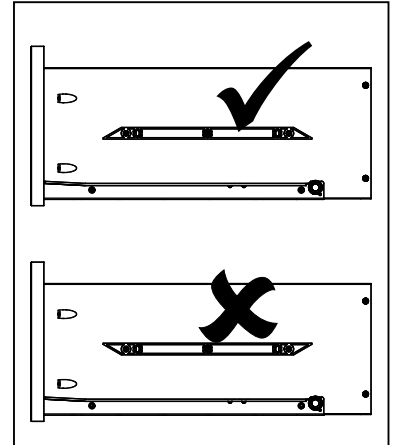
E22	Drawer LEFT	5
-----	-------------	---

15)

5x



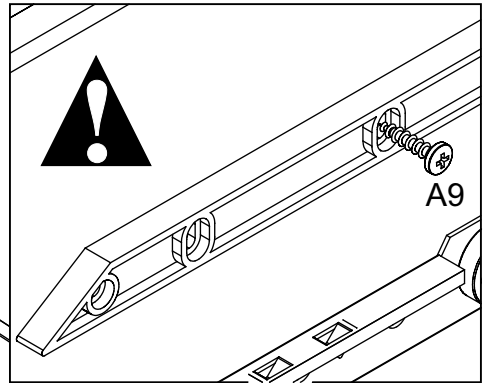
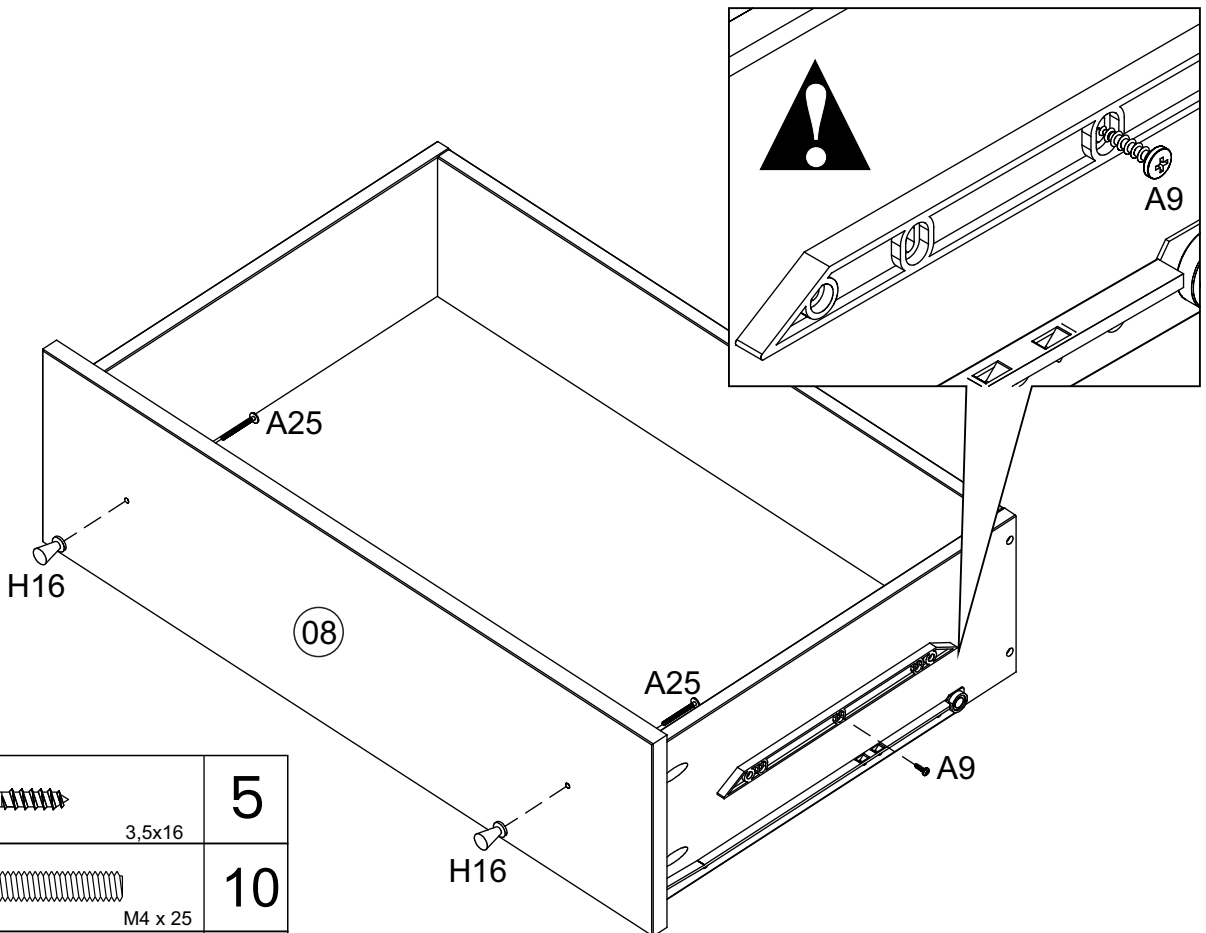
Observe the correct orientation as shown below.

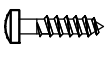
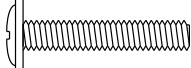
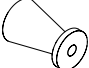


A9		10	E24		5
	3,5x16				

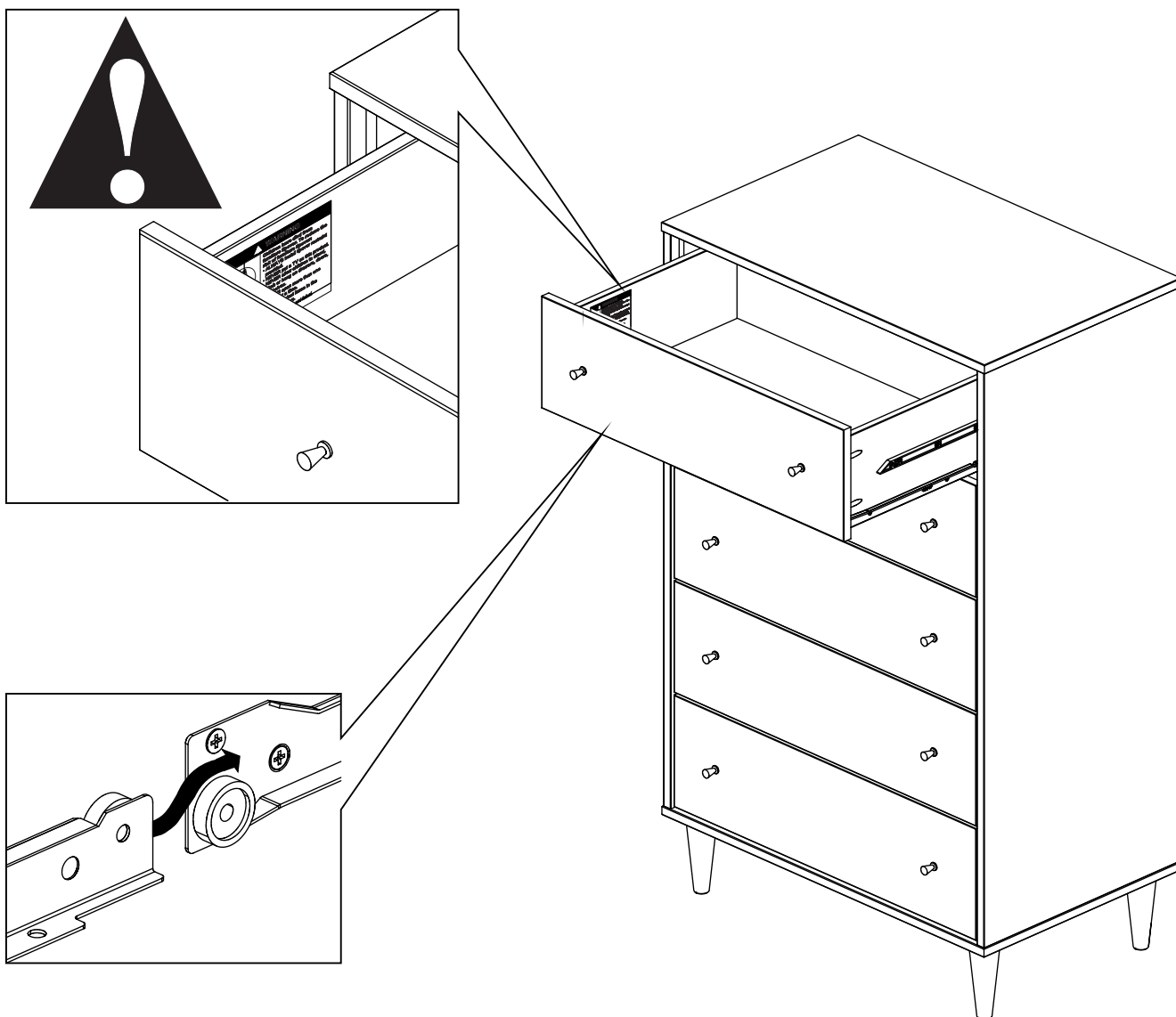
16)

5x



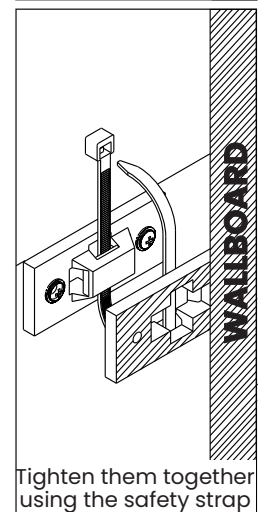
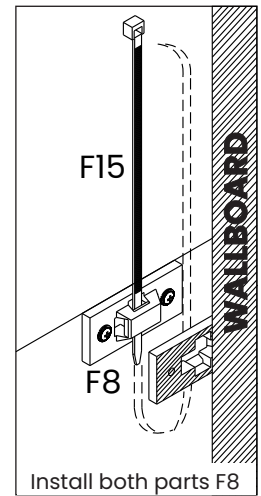
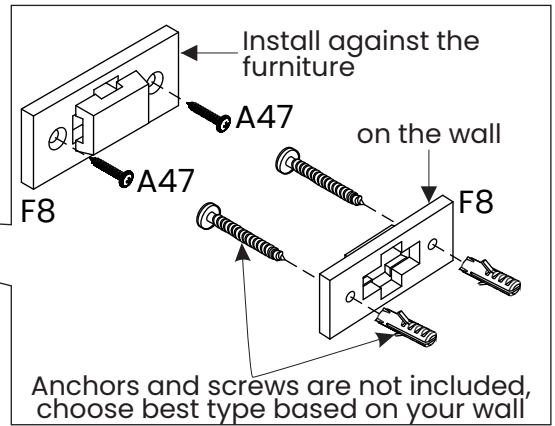
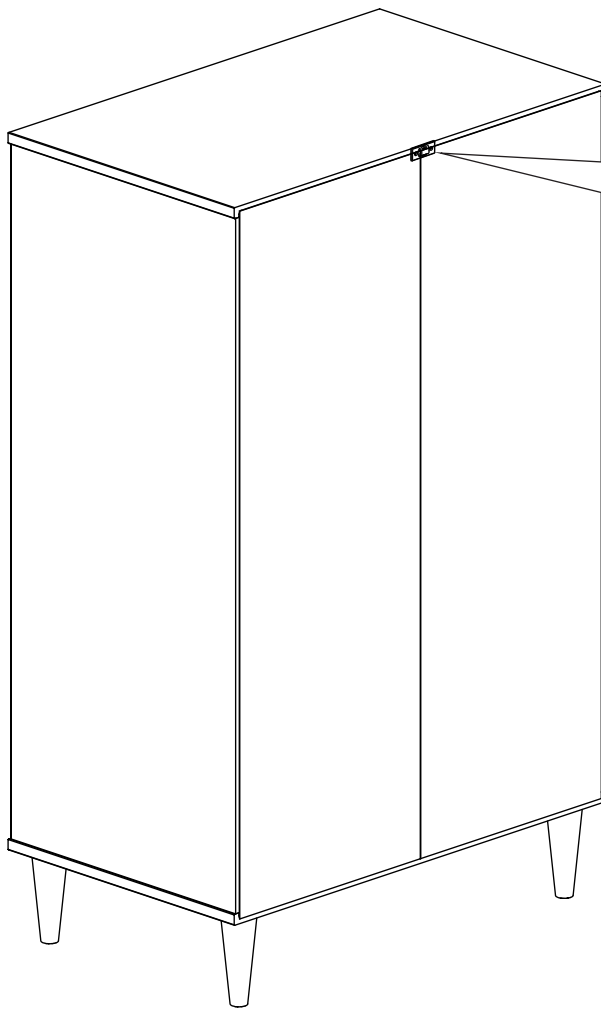
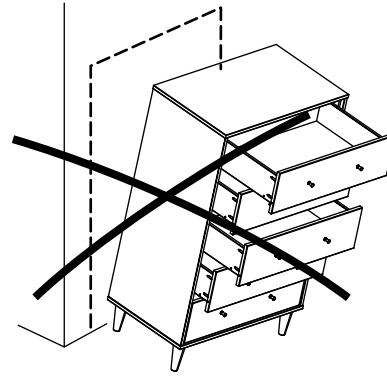
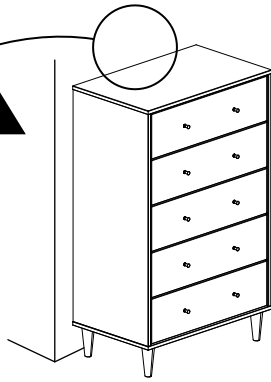
A9		5
	3,5x16	
A25		10
	M4 x 25	
H16		10

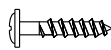
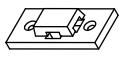

17) Place the labeled drawer in the top position



18)

ANTI-TIPPING RESTRAINT KIT



A47	 3,0x20	2
F8		2
F15		1