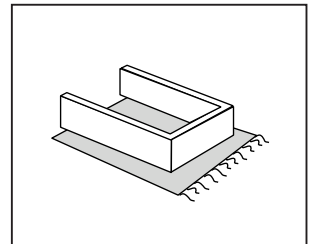
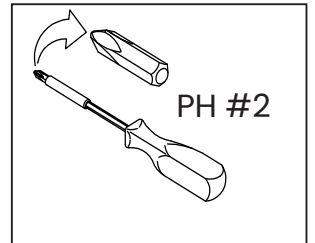
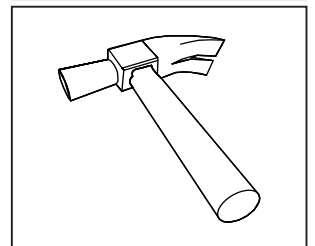
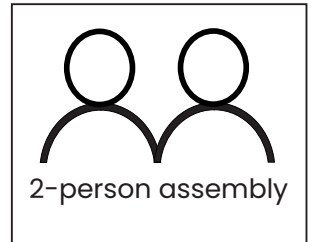
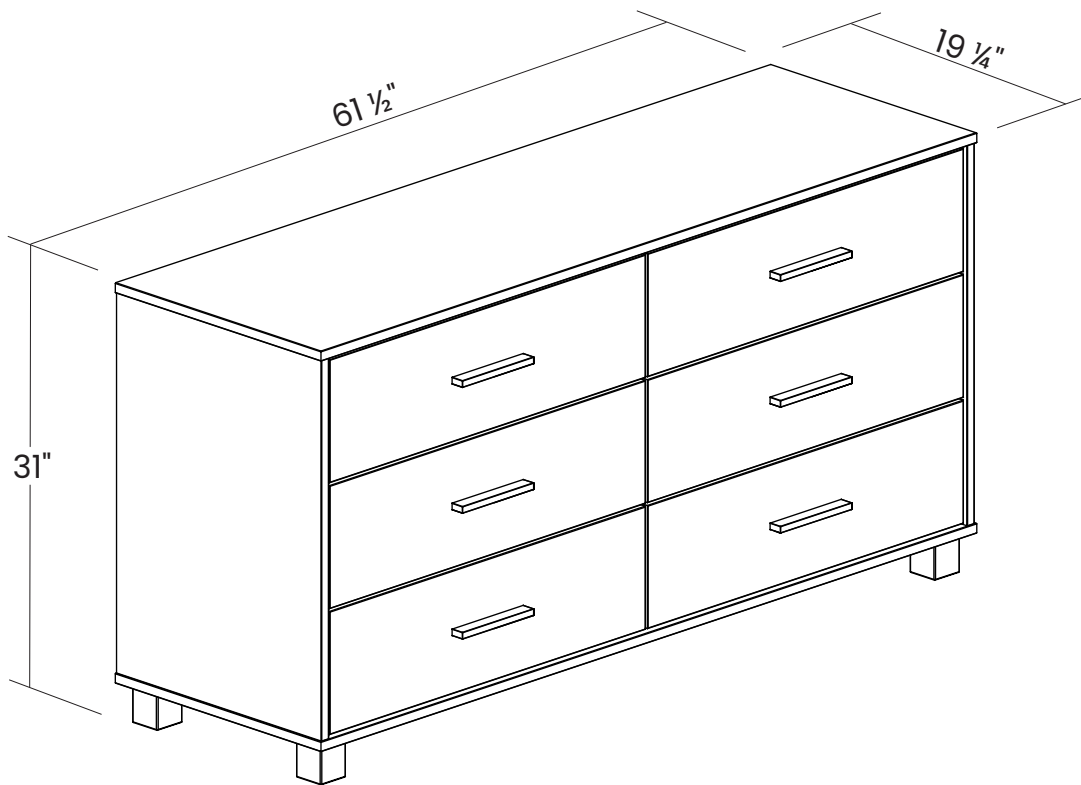


Assembly Instructions



Model #	Finish
CLF0503	Brushed White
CLF0540	Brushed Grey
CLF0568	Weathered Pine
CLF0589	Acacia

Thank you for choosing Grain Wood Furniture, it is an honor to be in your home!
If you have any questions, feedback, or need replacement parts please contact us at:
grainwoodfurniture.com/help or support@grainwoodfurniture.com

Loft
6-Drawer Dresser

GrainWood
FURNITURE.COM

PLEASE READ BELOW BEFORE BEGINNING ASSEMBLY




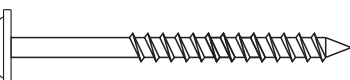
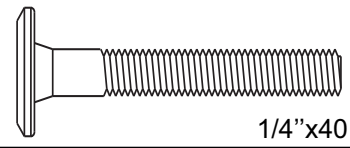

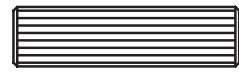
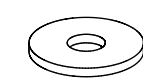
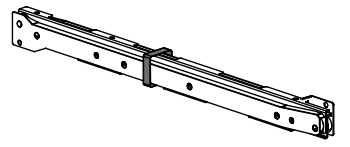

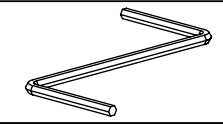
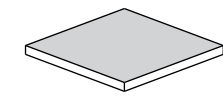
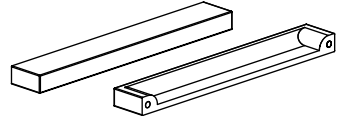
- Enlist help from a friend or family member as most items require two people for proper assembly.
- Choose a spacious, open area near where the piece will be located once assembled. It is easier to move parts than to relocate the furniture after it is fully assembled.
- Do not throw away packaging material until assembly is complete.
- Assemble the item on a soft surface, such as cardboard or an old blanket in order to protect the finish from possible dents or scratches.
- Lay out the parts in order and count them twice. In case any parts are missing or damaged, document the problem with pictures and contact support so we can make it right.
- Solid wood furniture may present imperfections such as wood knots, minor splits or cracks which are a natural aspect of the material. Whenever stability of the furniture is not compromised, we recommend customers perform cosmetic touch-ups with wax crayon fillers sold at all major hardware stores.
- It is best to use the tools provided in the box, such as a hex key, because they may be specially sized for the piece of furniture.
- We do not recommend the use of power drills as they can damage your furniture if not used correctly.
- Use a carpenter's square or hardcover book to check angles when assembling drawers and doors. If they are not at 90 degrees, they will not close properly.
- If you have any problems, we are here to help. Just go to grainwoodfurniture.com/help.
- See grainwoodfurniture.com/care-guide for suggestions that will help your furniture last for years.

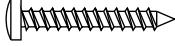
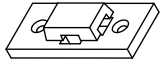



grainwoodfurniture.com/assembly-troubleshooting

Enjoy your 100% solid wood furniture!

HARDWARE LIST

A1	 4,0x30	57 + 4
A4	 3,5x14	12 + 1
A25	 M4x25	12 + 1
A40	 4,0x45	9 + 1
B25	 1/4"x40	5
B31	 6,0x10	48 + 2
C1	 8,0x30	66 + 3
D41	 5/16"x24x2	5 + 1
E17		6
E18		6
G1	 10x10	38
G8		1
G12	 30x30	5
H17		6

ANTI-TIPPING RESTRAINT KIT		
A8	 3,0x20	2 + 1
F8		2
F9		1



ATTENTION

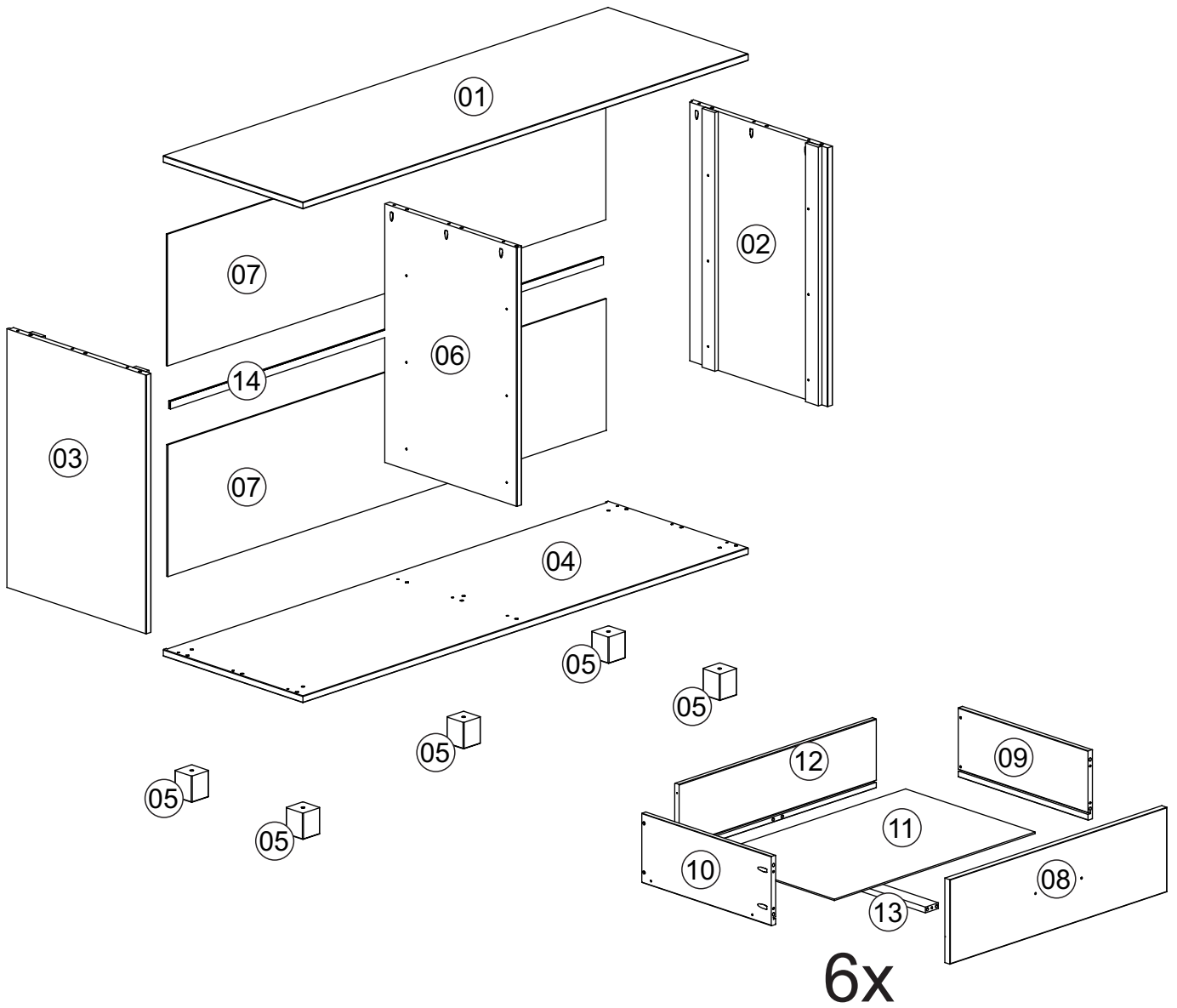
Before starting assembly please verify the hardware set is complete.

For missing hardware please contact us at grainwoodfurniture.com/help

WARNING:

CHOKING HAZARD

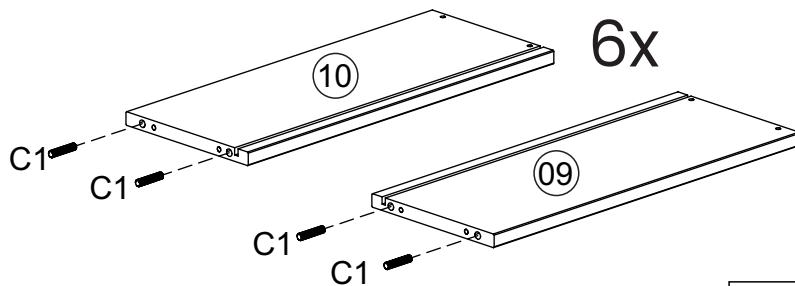
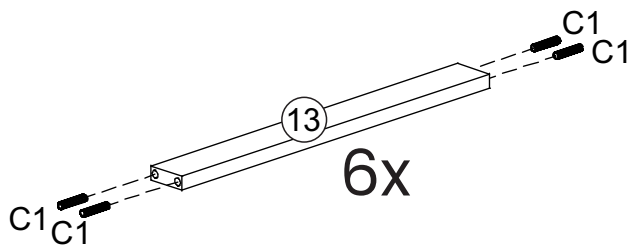
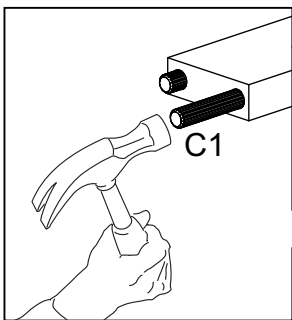
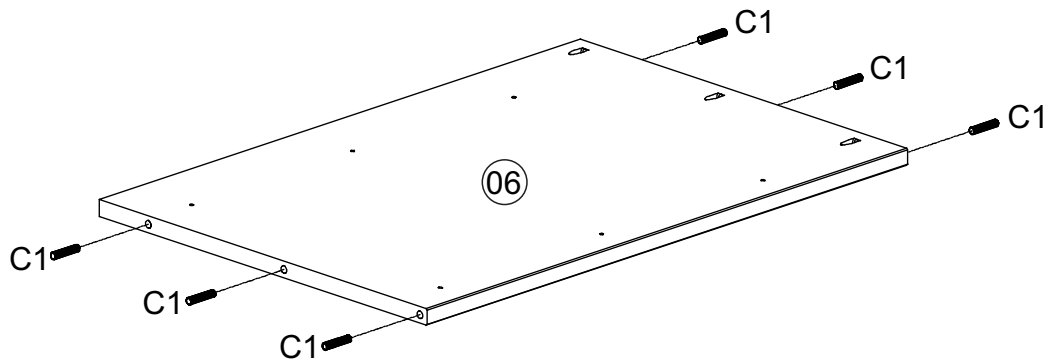
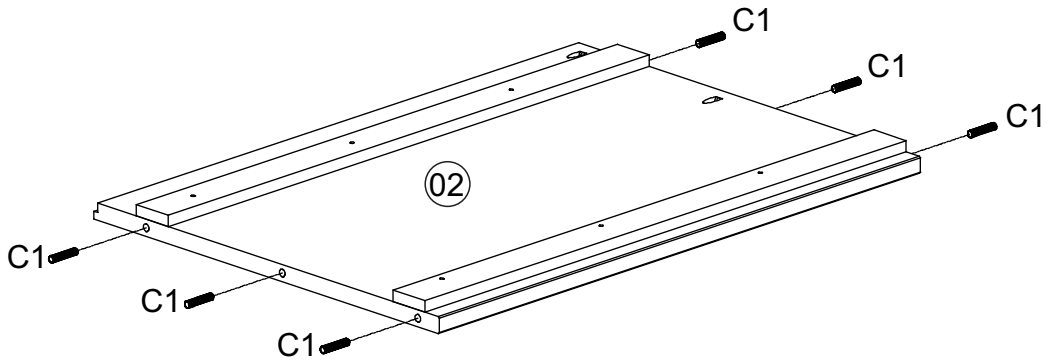
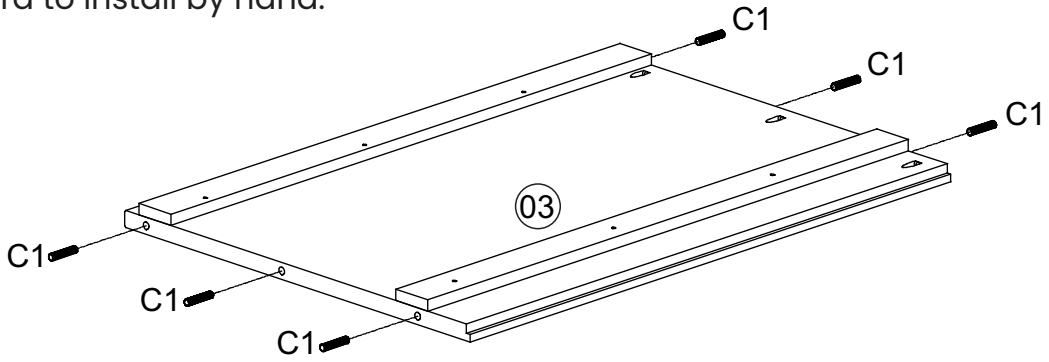
Small parts, not for children.
To be assembled by an adult.




BOX A - 1 of 2		
Part #	Description	Qty.
01	Top	1
02	Right side	1
03	Left side	1
04	Base	1
07	Back panel	2
11	Drawer bottom	6
14	Profile "H"	1

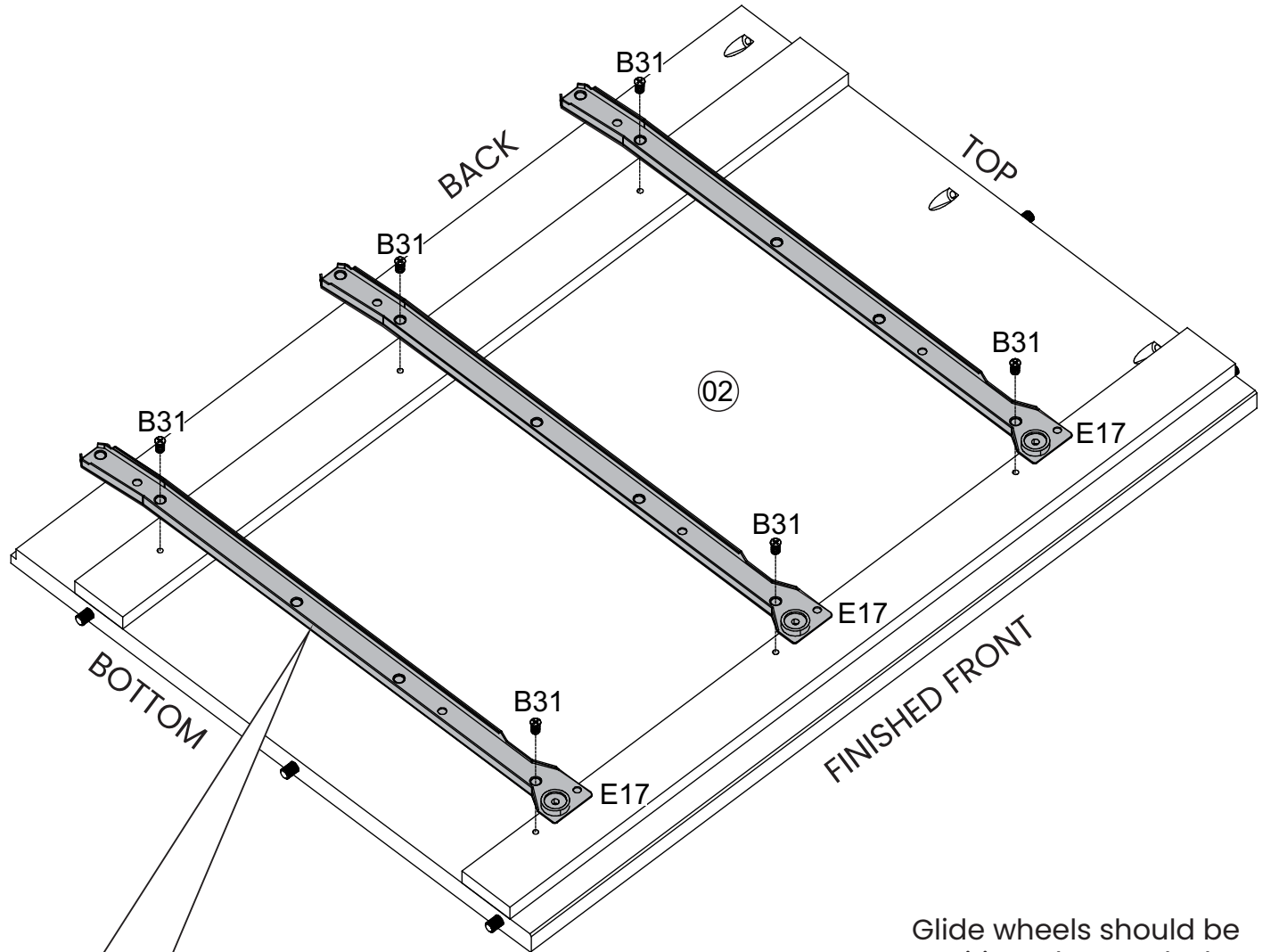
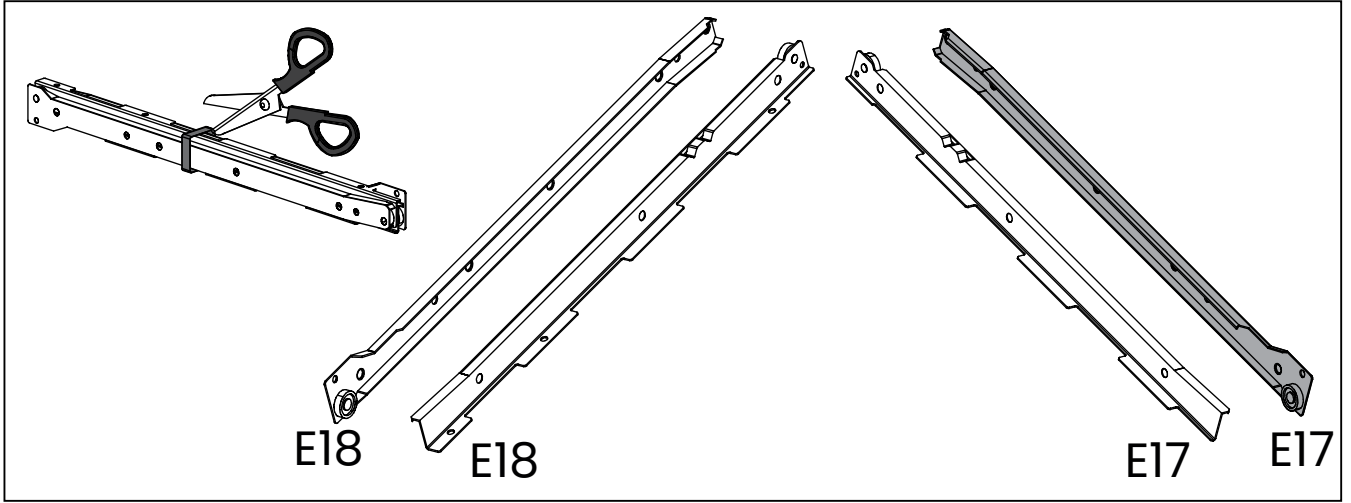
BOX B - 2 of 2		
Part #	Description	Qty.
05	Foot	5
06	Division	1
08	Drawer front	6
09	Drawer right side	6
10	Drawer Left side	6
12	Drawer back	6
13	Drawer bottom support	6
HW	Hardware	1

1) Tip:
Use a hammer in case dowels
are hard to install by hand.

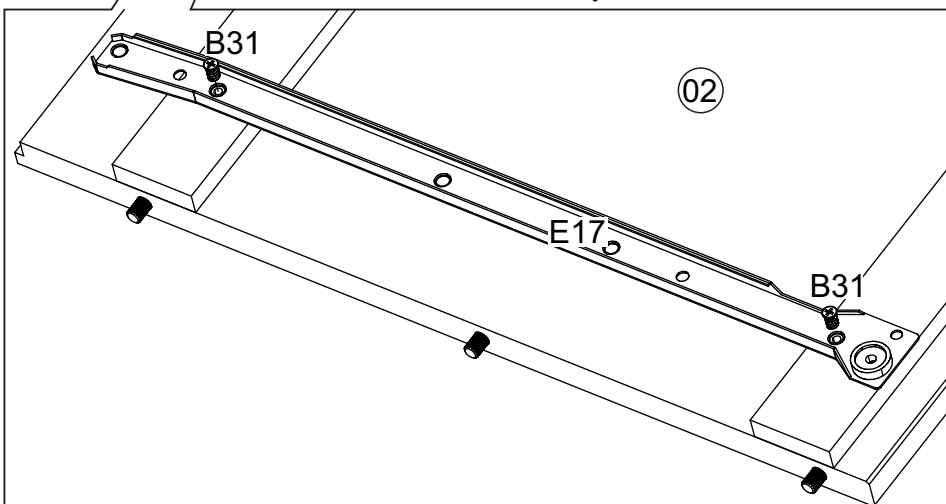




C1		66
	8,0x30	

2)

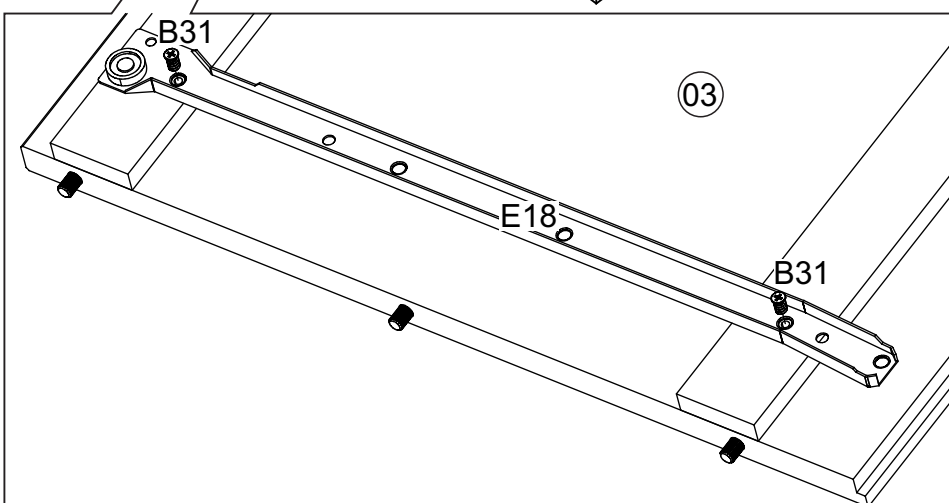
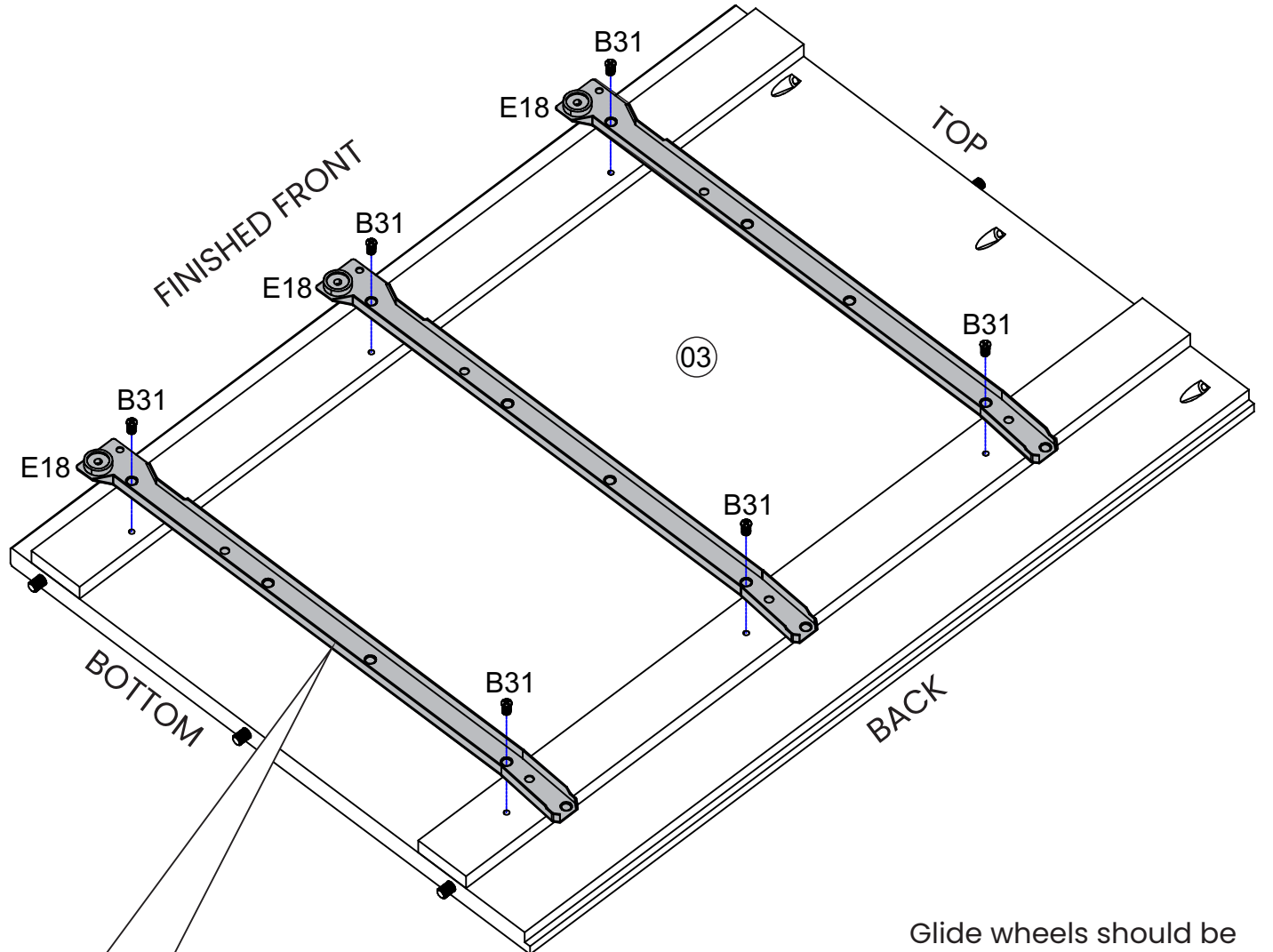
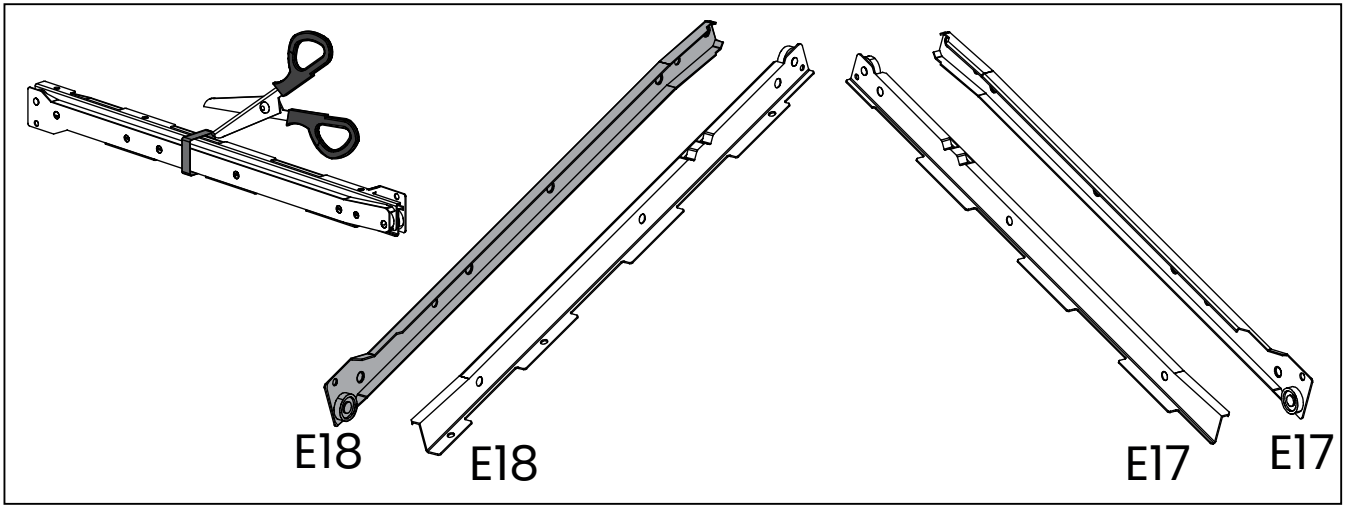


Glide wheels should be positioned towards the front and bottom of the side panel.


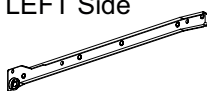


B31	 6,0x10	6
E17	 RIGHT Side	3

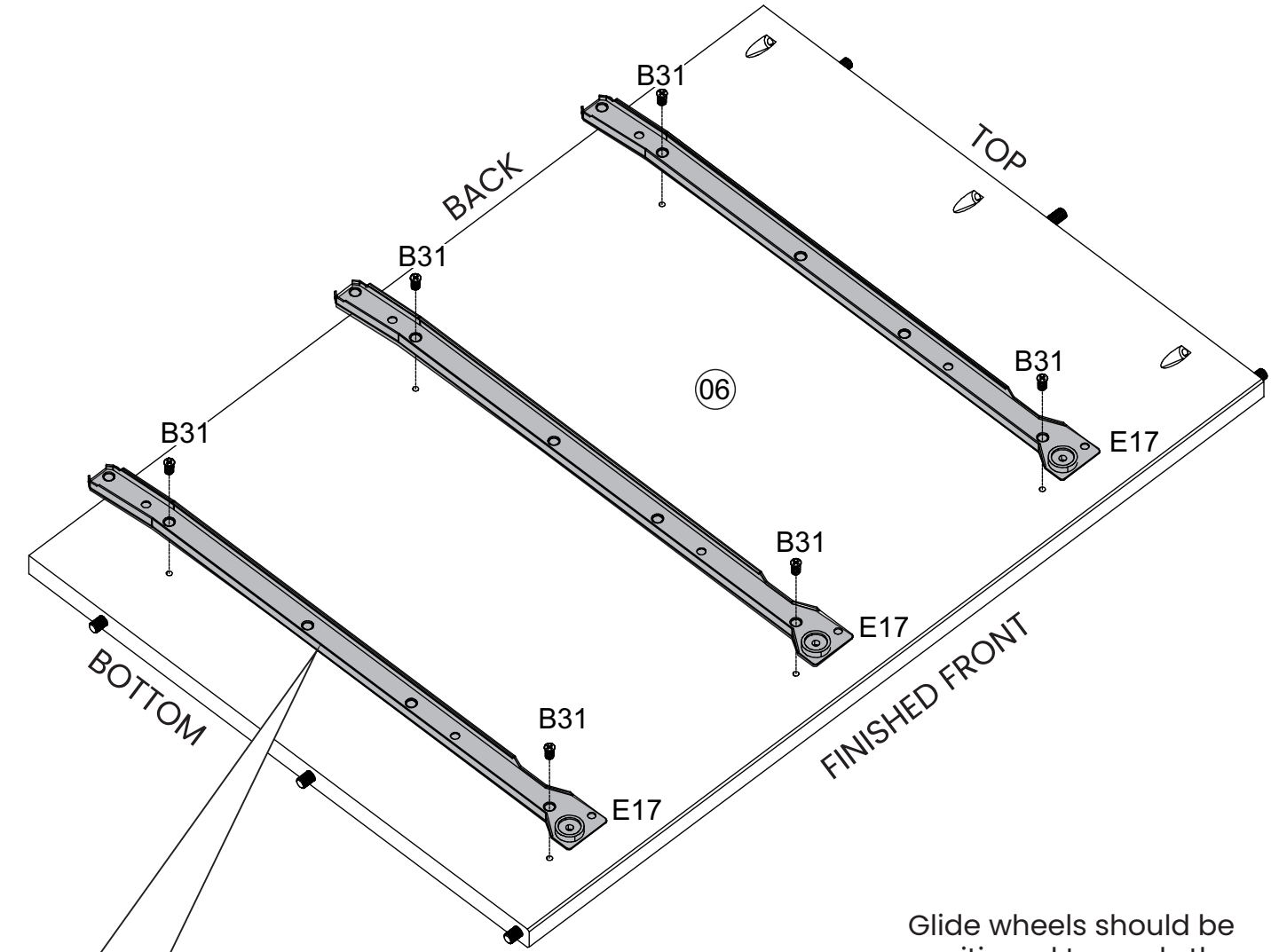
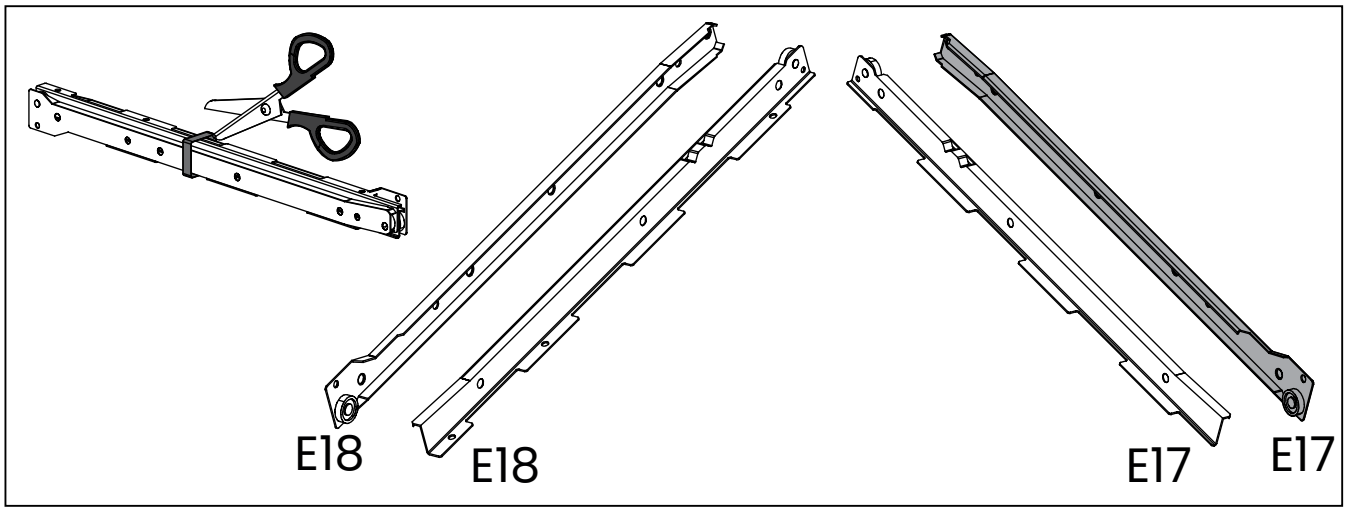
3)



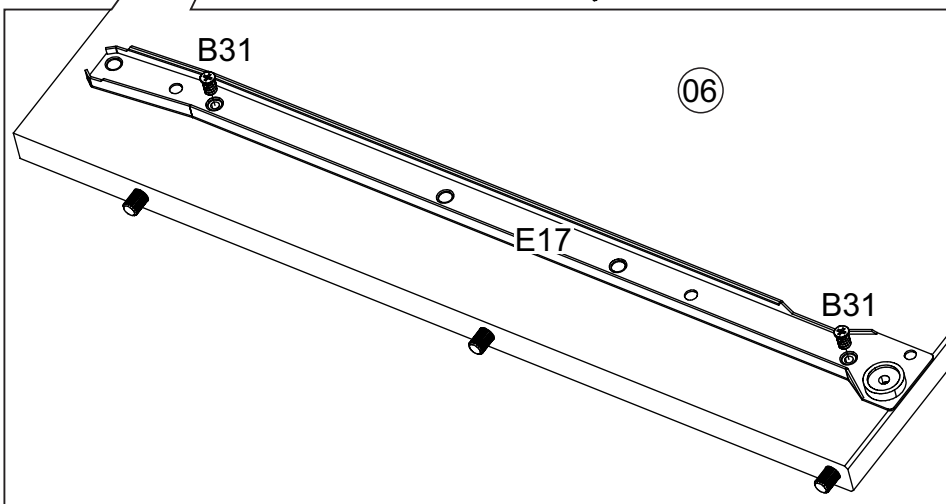
Glide wheels should be positioned towards the front and bottom of the side panel.



B31	 6,0x10	6
E18	LEFT Side 	3

4)

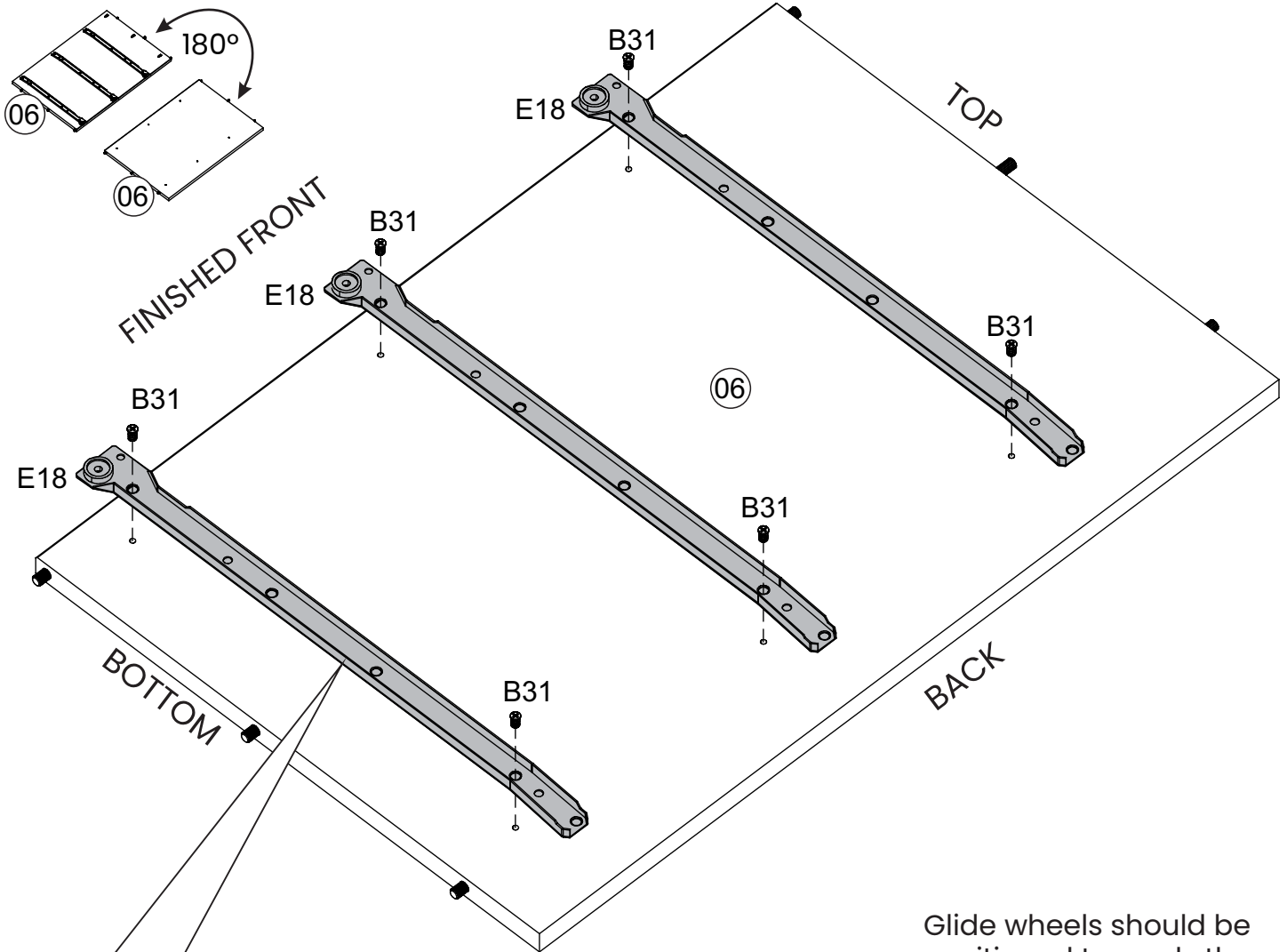
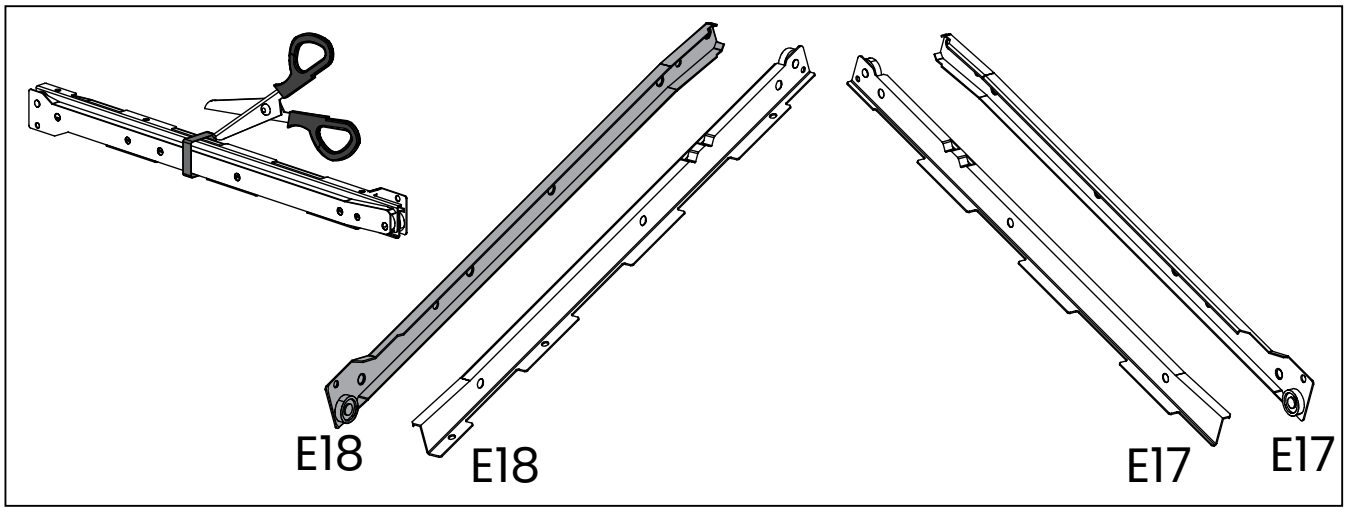


Glide wheels should be positioned towards the front and bottom of the side panel.

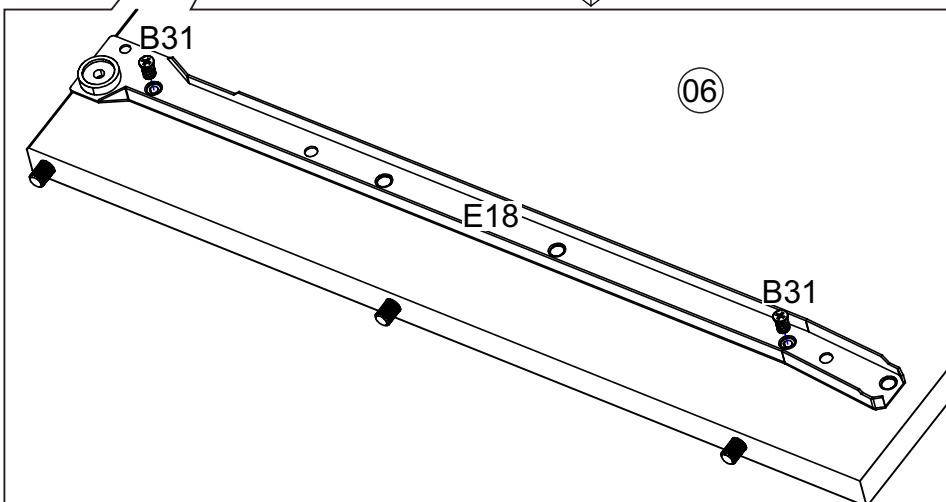



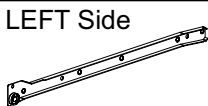
B31	 6,0x10	6
E17	 RIGHT Side	3

5)

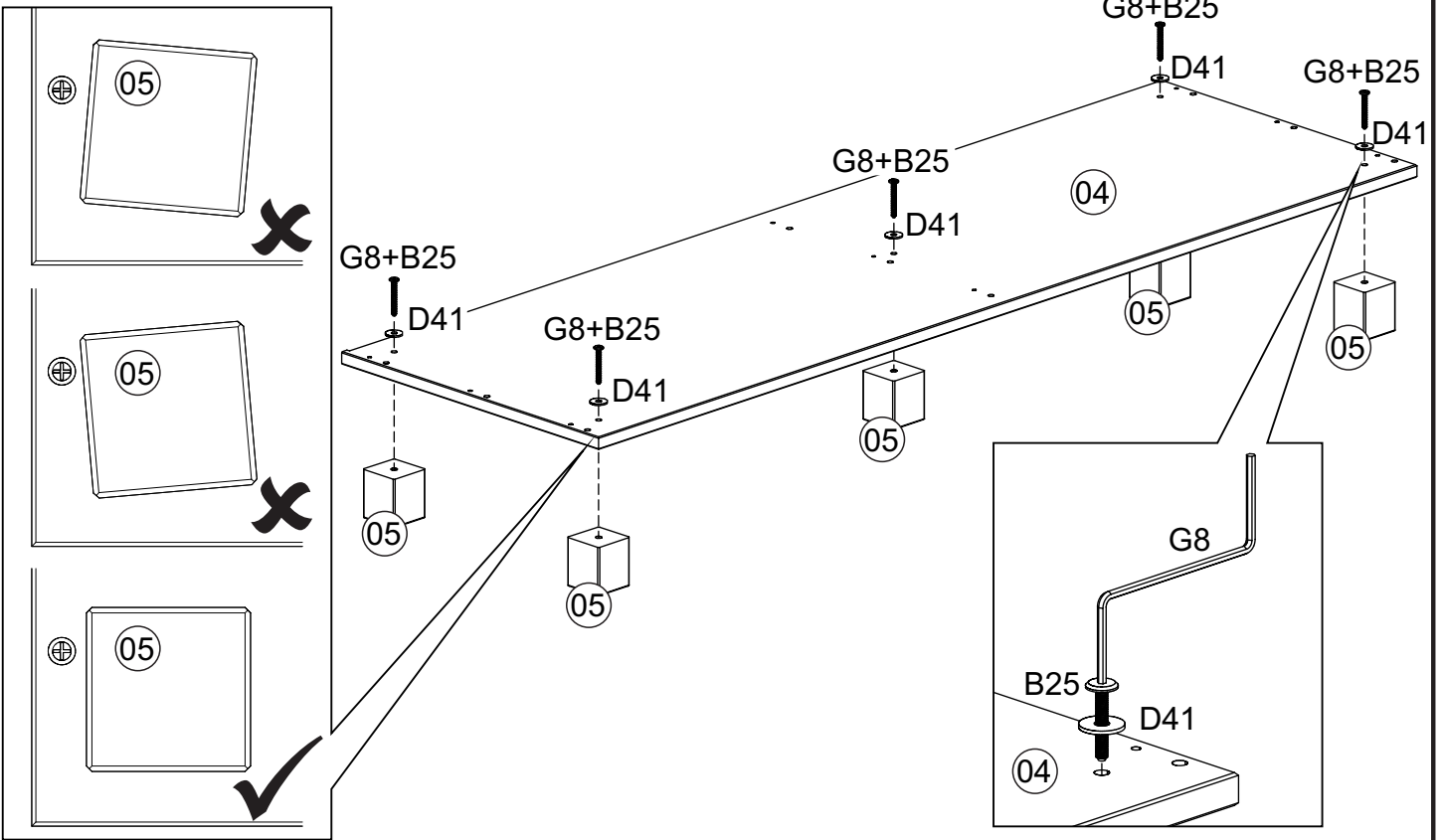


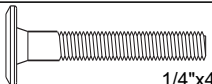


Glide wheels should be positioned towards the front and bottom of the side panel.



B31	 6,0x10	6
E18	LEFT Side 	3

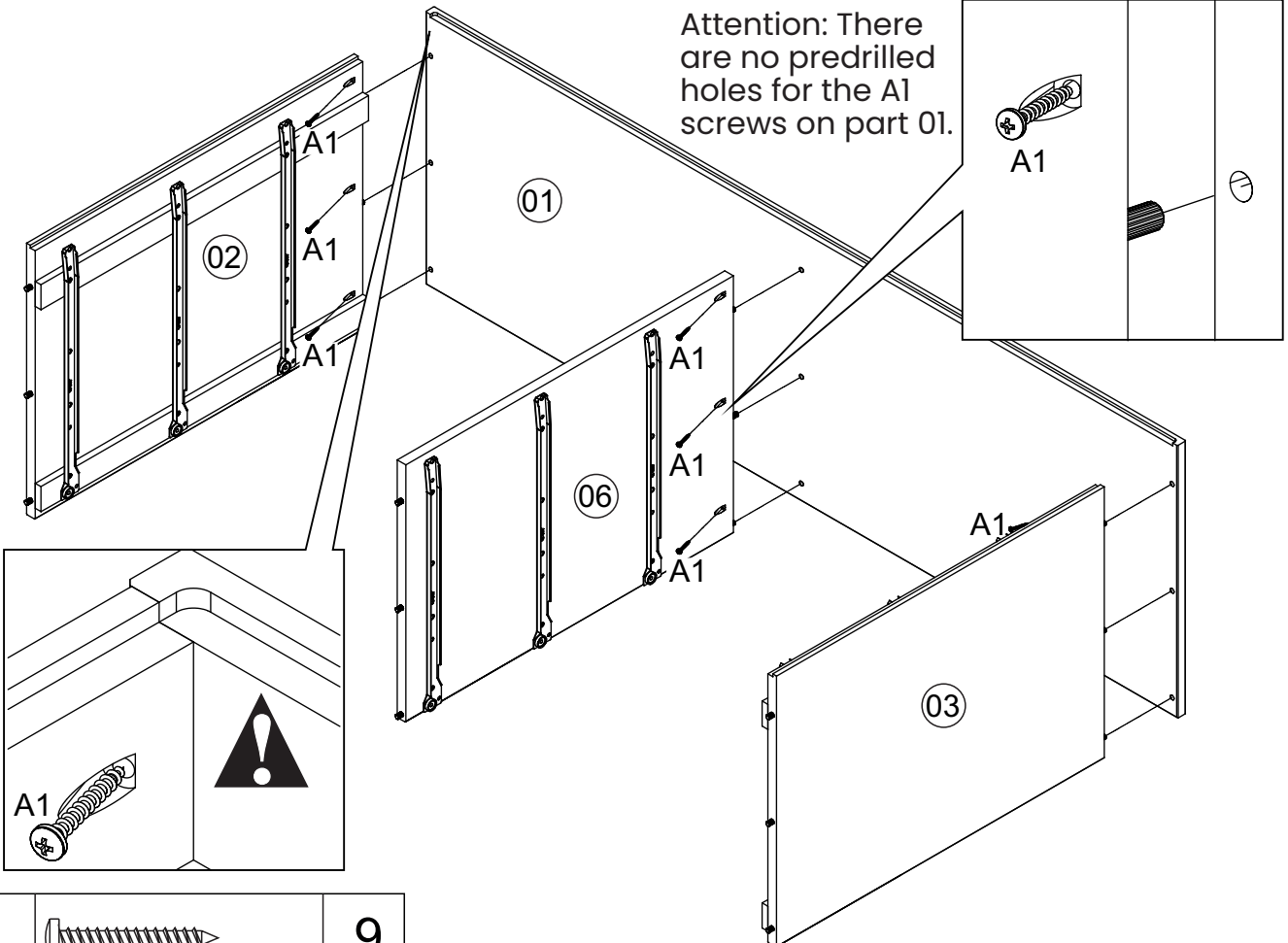
6)




B25		5	D41		5	G8		1
	1/4"x40			5/16"x24				

7)

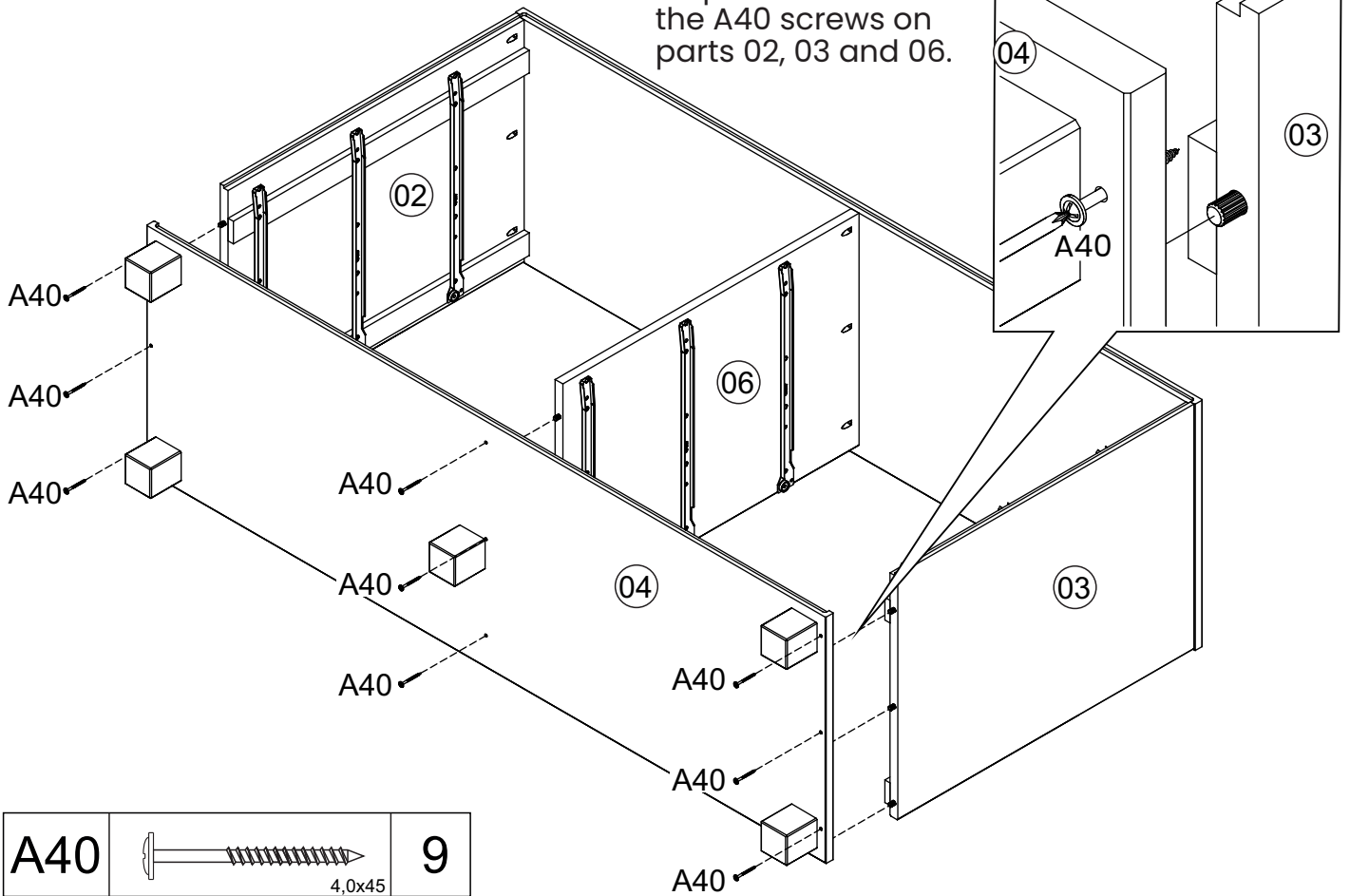
Attention: There are no predrilled holes for the A1 screws on part 01.



A1		9
	4,0x30	

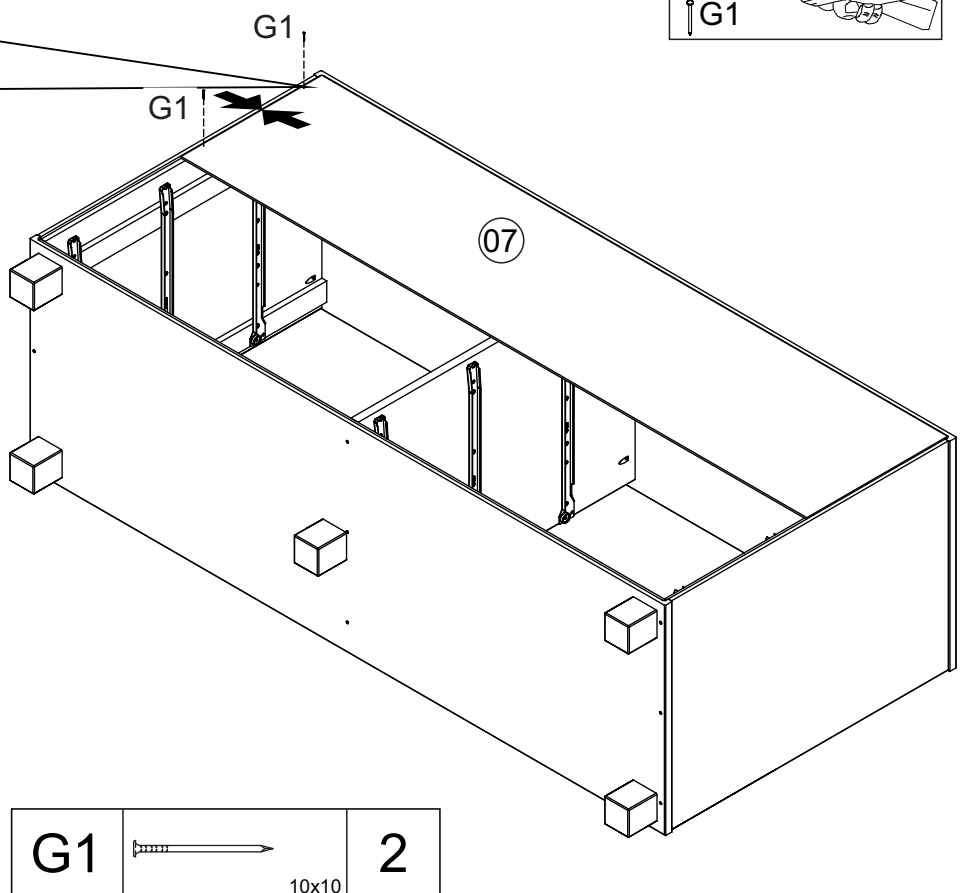
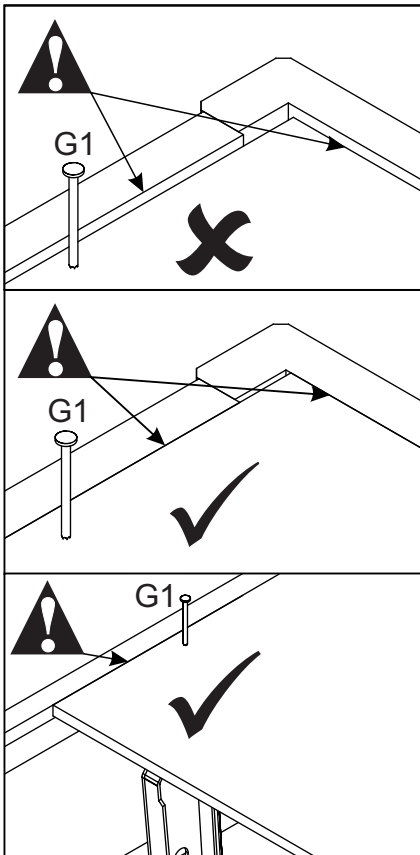
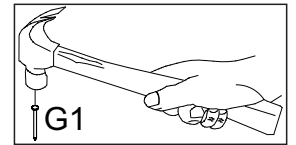
8)

Attention: There are no predrilled holes for the A40 screws on parts 02, 03 and 06.

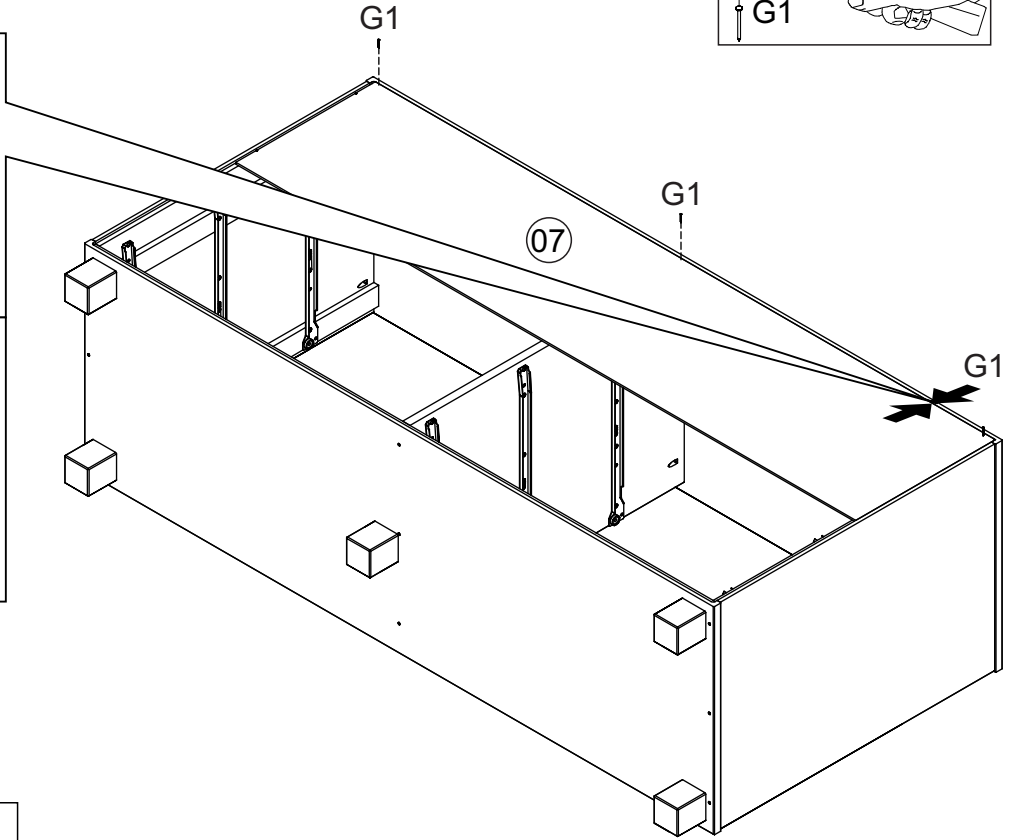
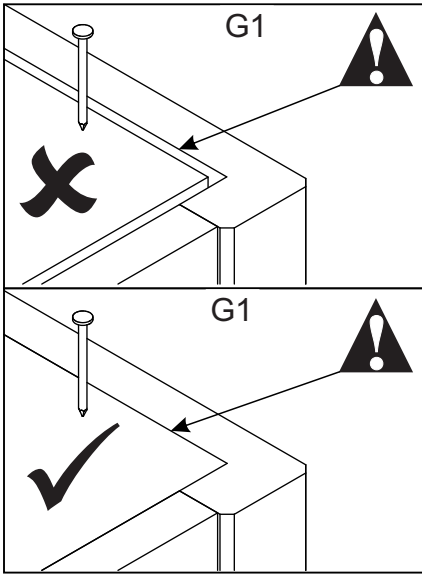
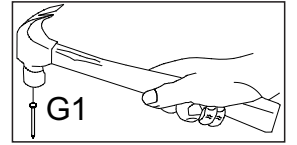



9)

Make sure back panels are perfectly aligned with side panels and top and there are NO gaps.

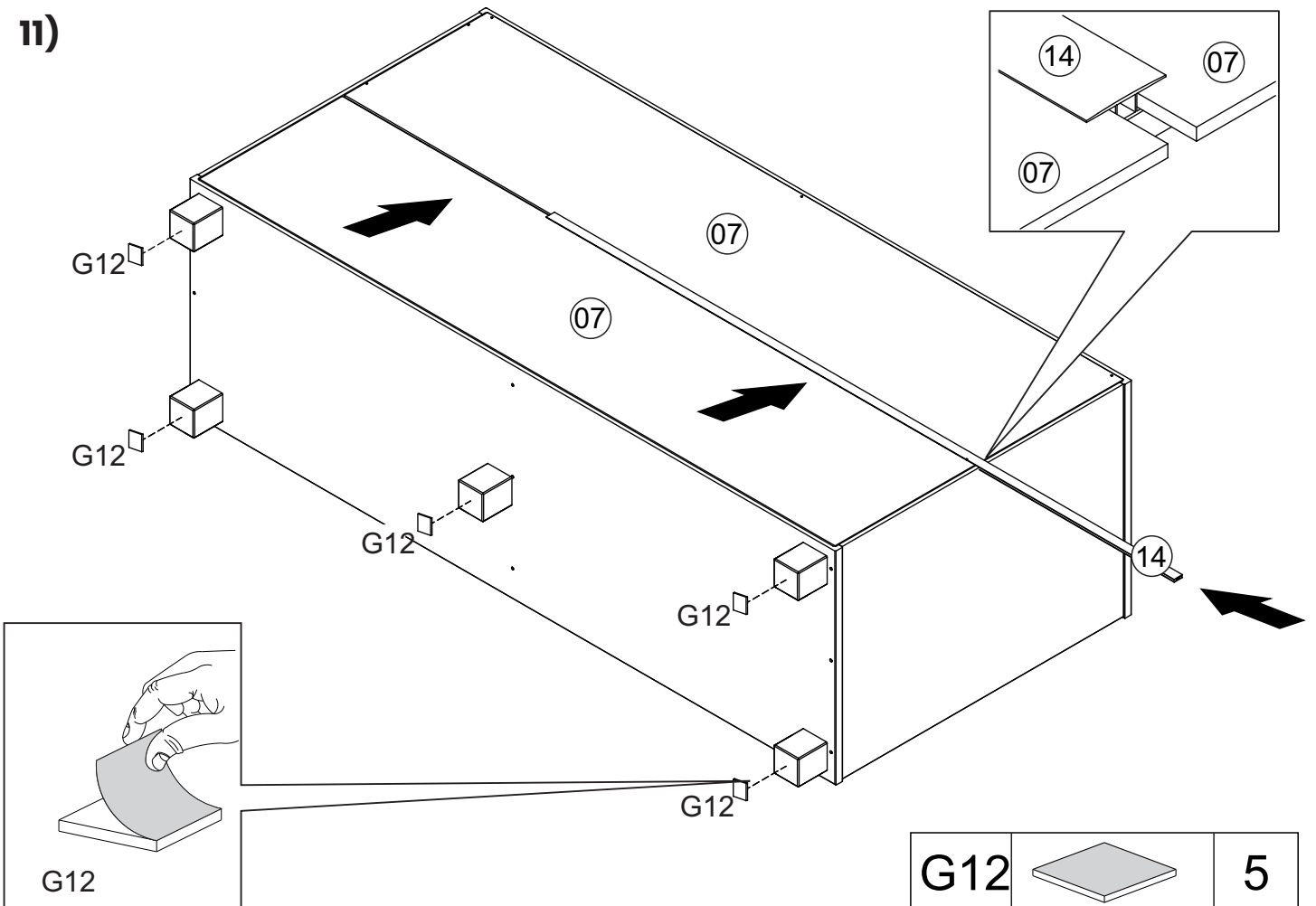
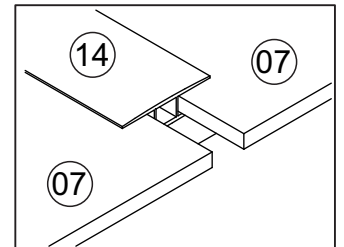



10)



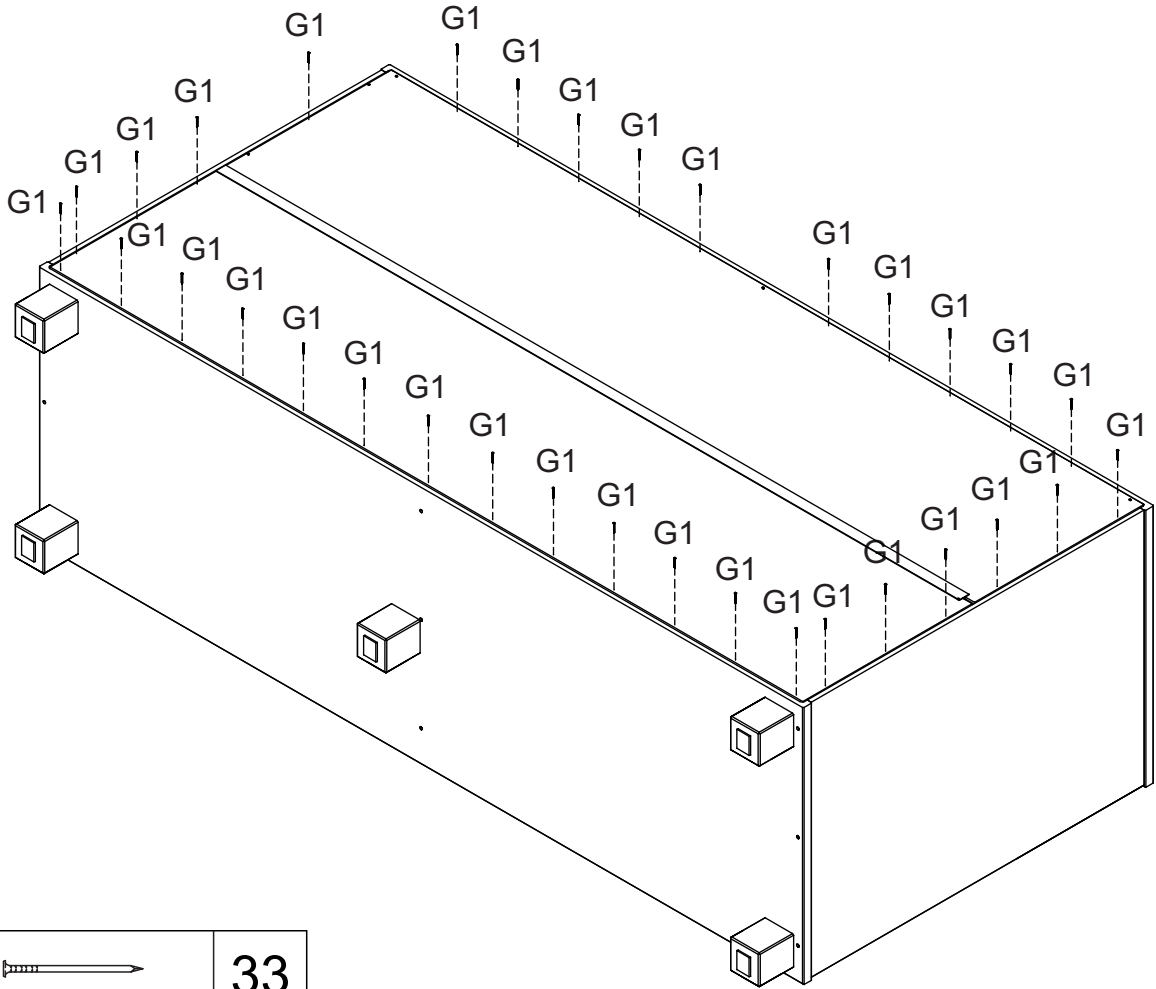
G1	 10x10	3
----	---	---


11)



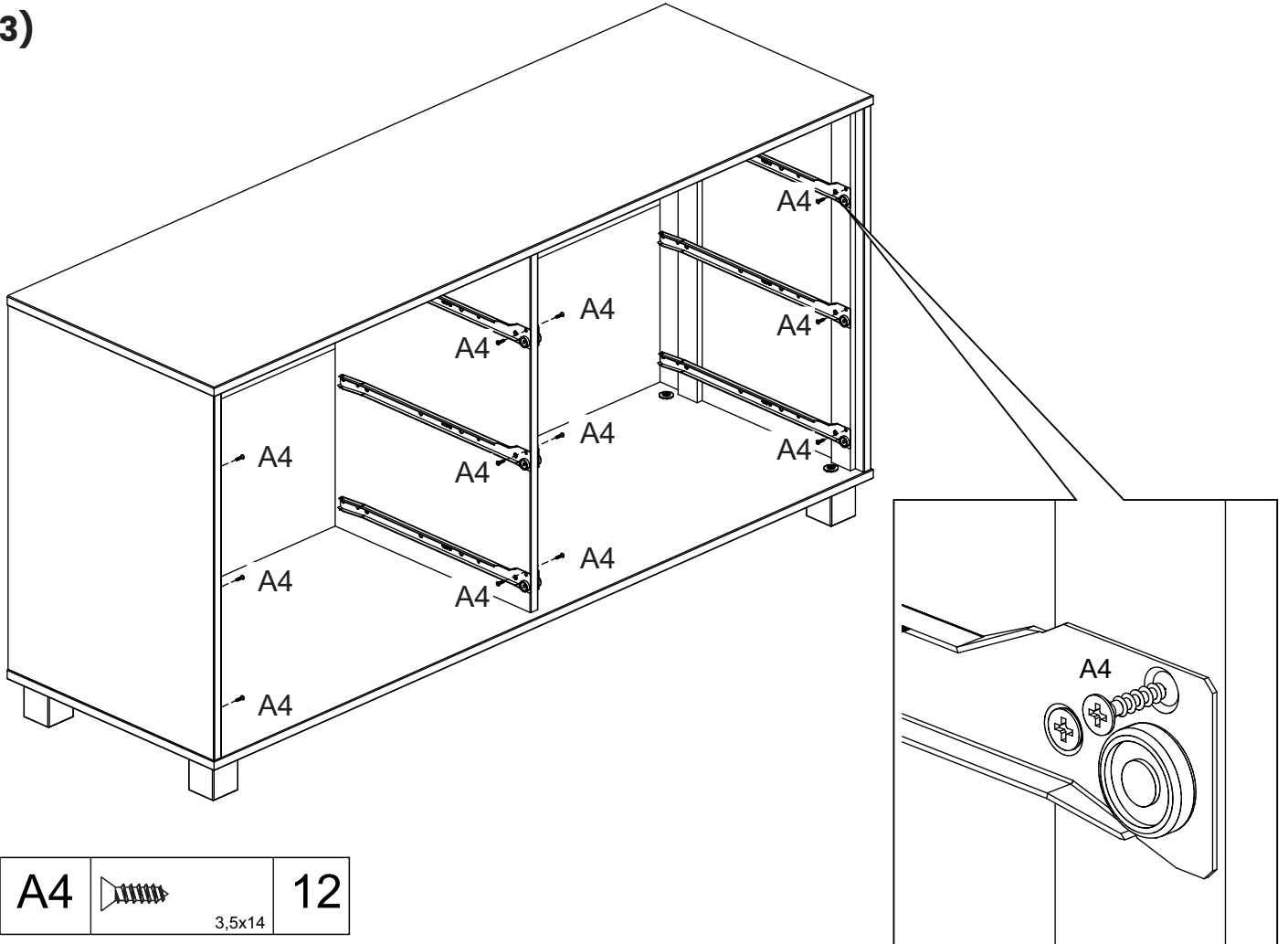
G12		5
-----	---	---


12)



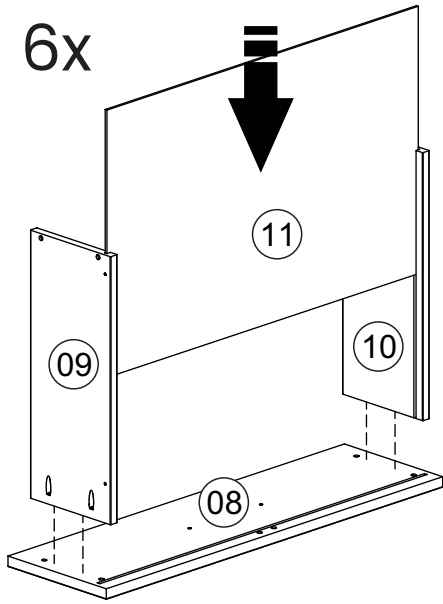
G1		33
	10x10	

13)

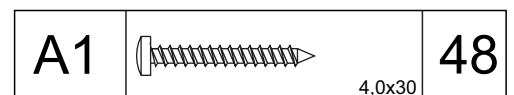
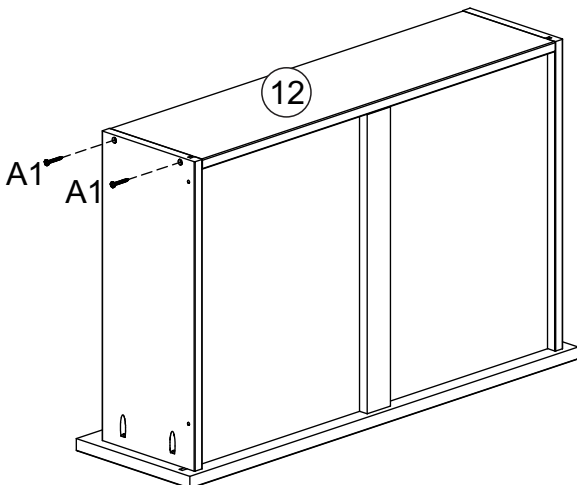
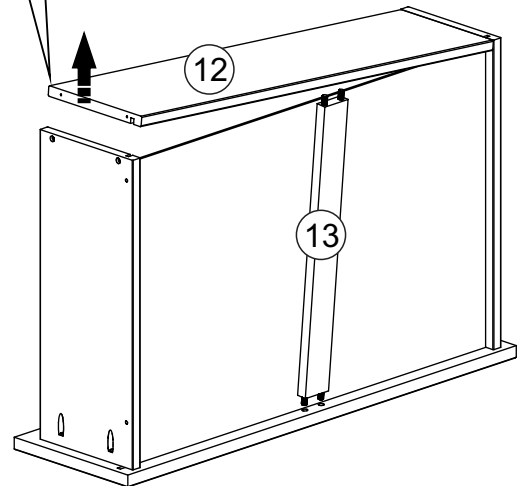
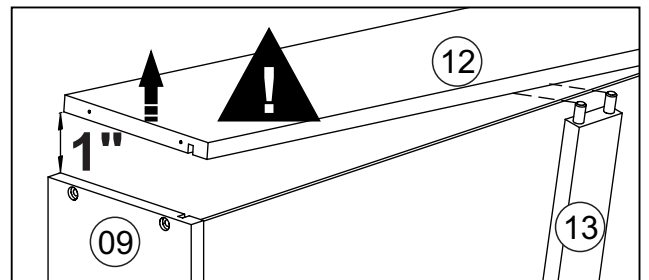
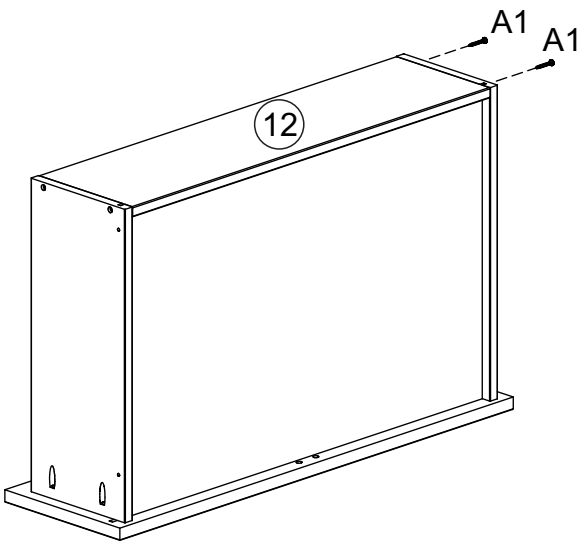
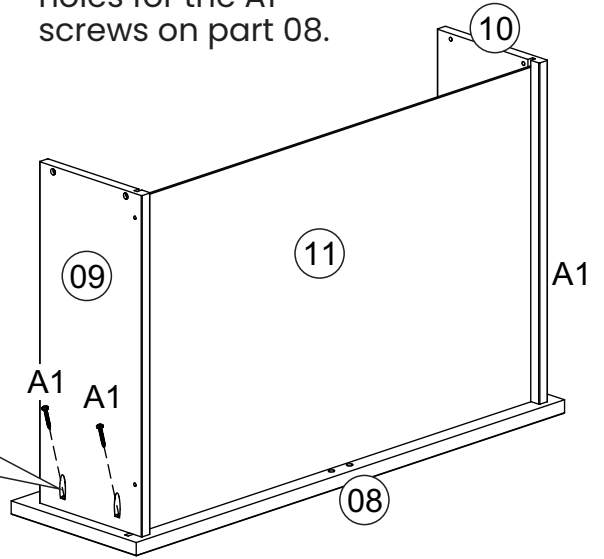
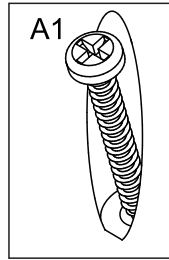


A4		12
	3,5x14	

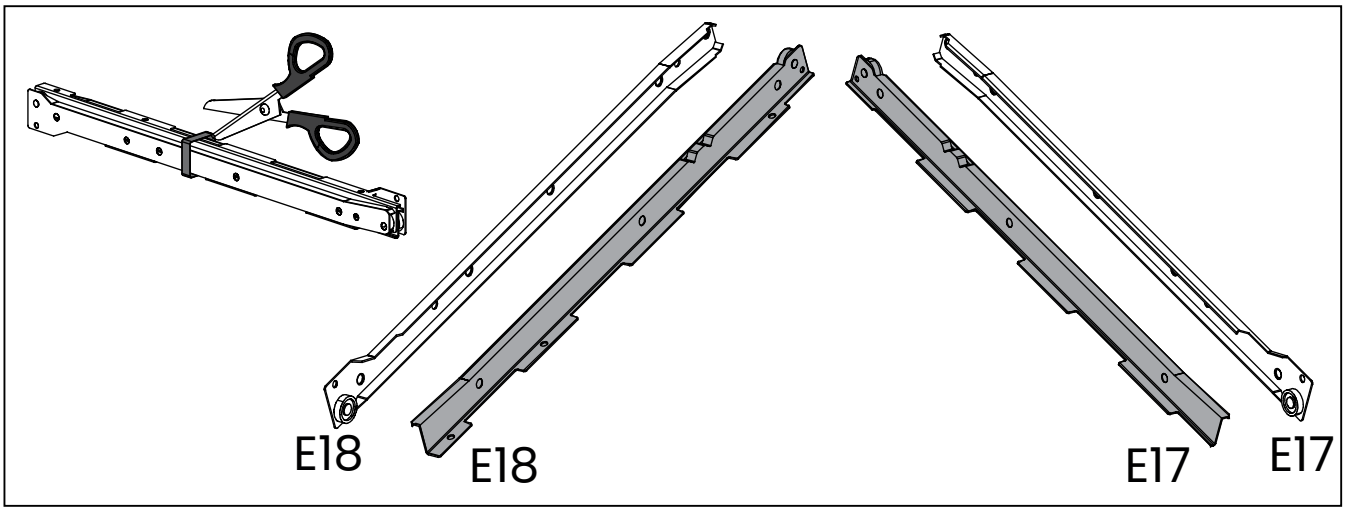
14) 6x



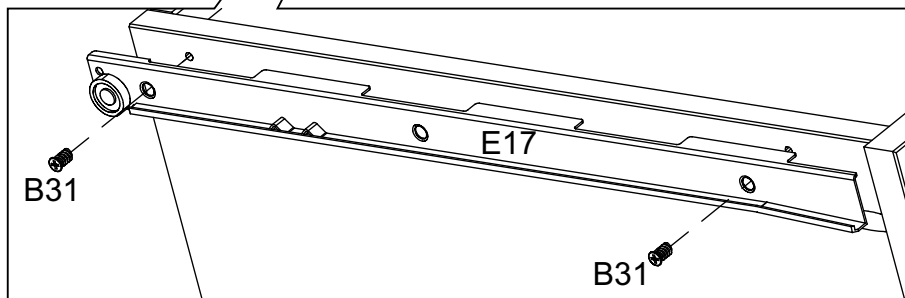
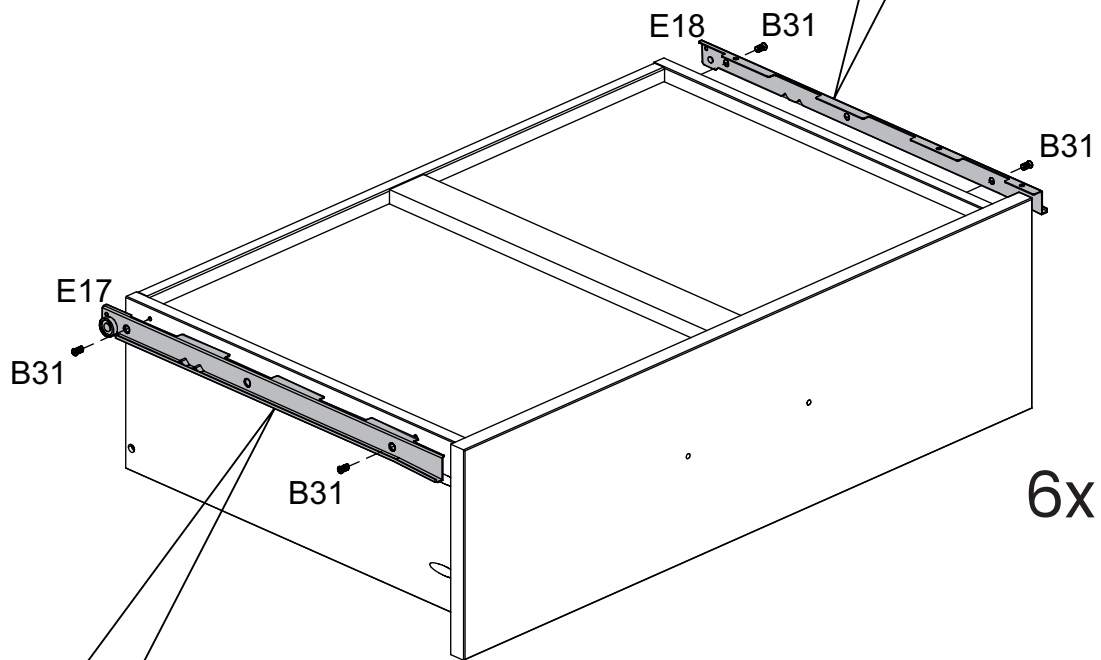
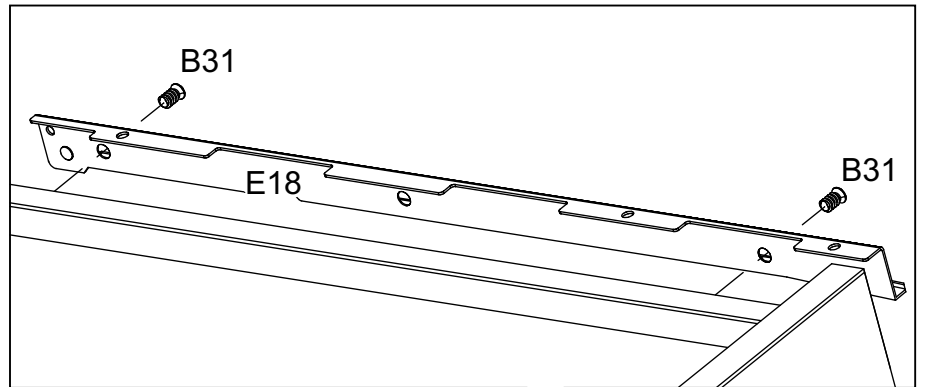
Attention: There are no predrilled holes for the A1 screws on part 08.




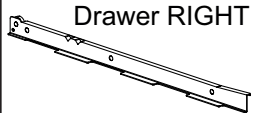
15)

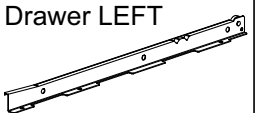


Flip the assembled drawer upside down to install glides.

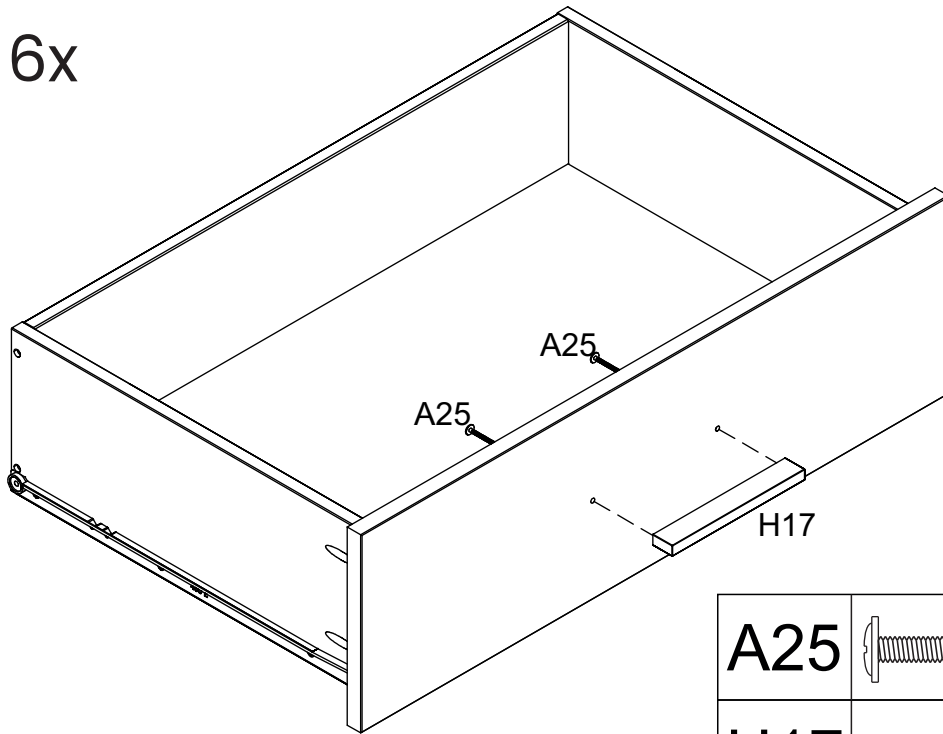



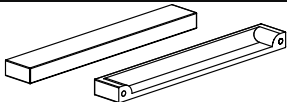
B31		24
6,0x10		

E17		6
Drawer RIGHT		

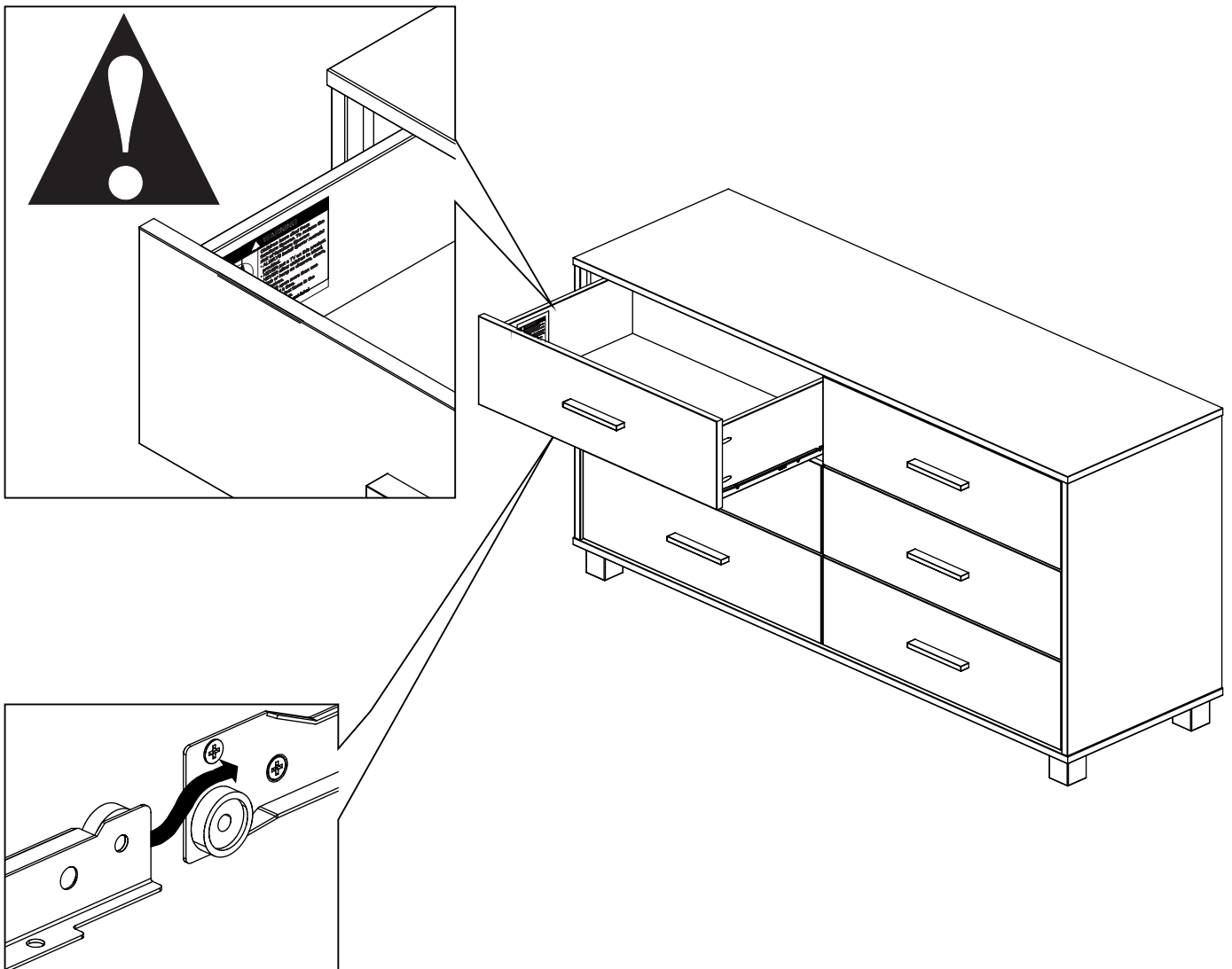
E18		6
Drawer LEFT		

16) 6x



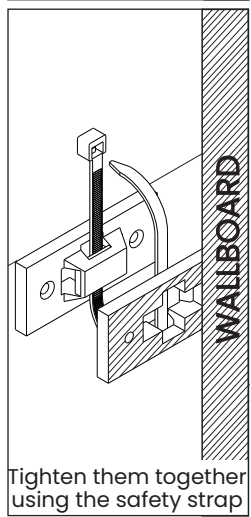
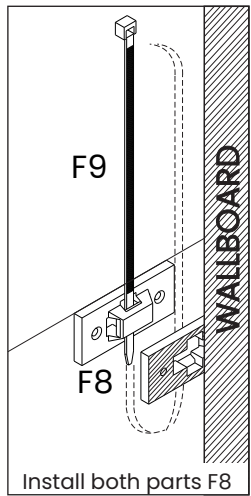
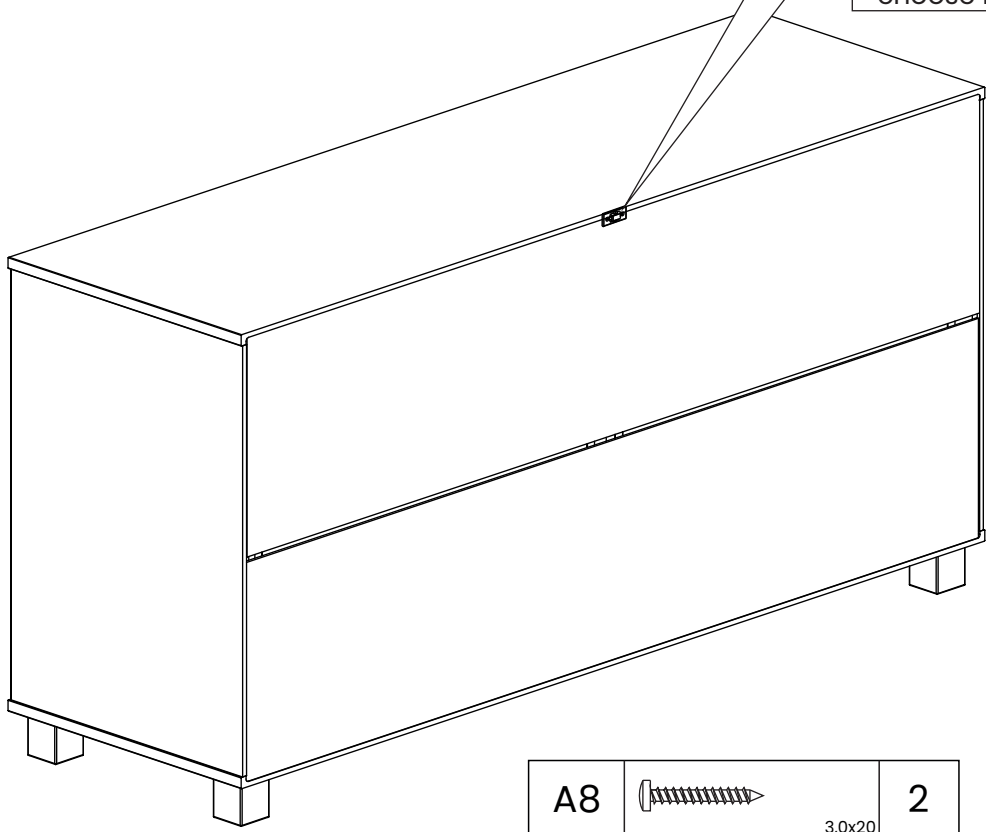
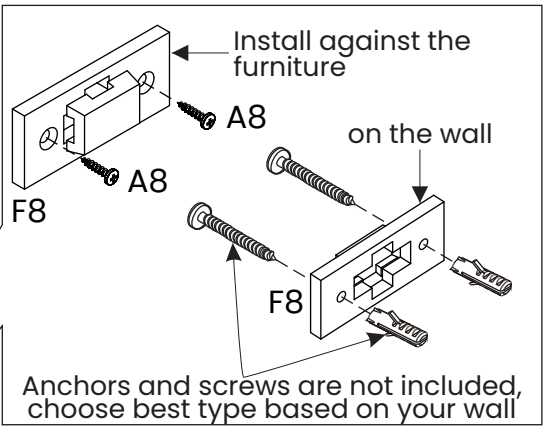
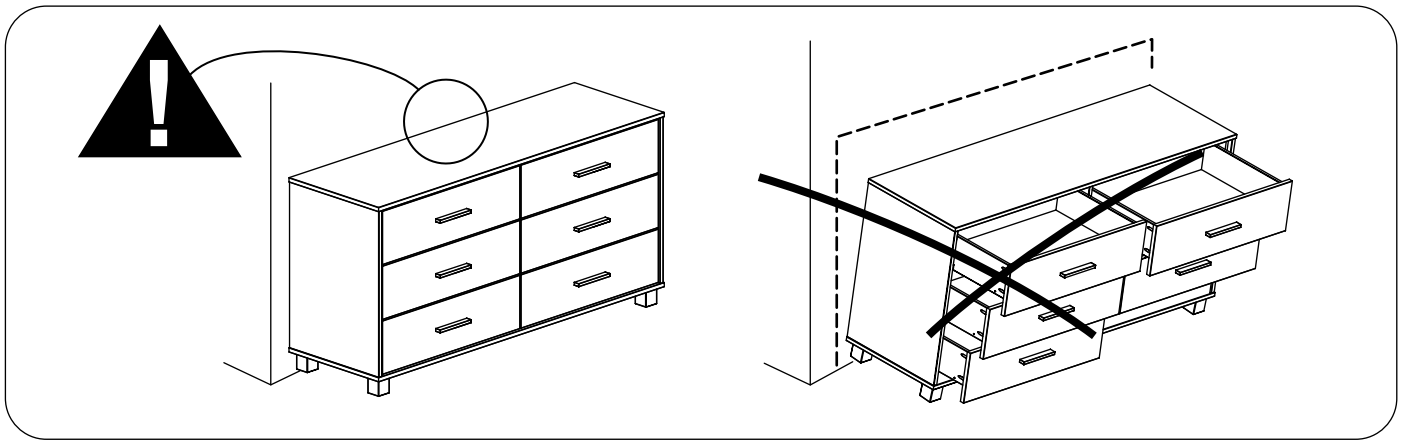
A25	 M4x25	12
H17		6


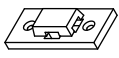

17) Place the labeled drawer on the top position



18)

ANTI-TIPPING RESTRAINT KIT



A8		2
F8		2
F9		1