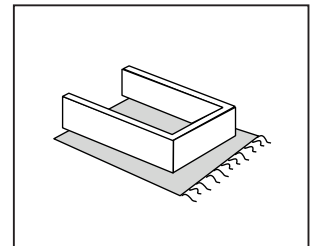
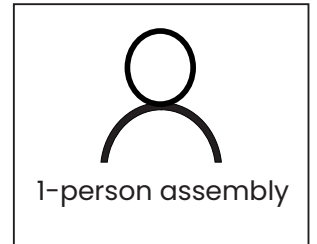
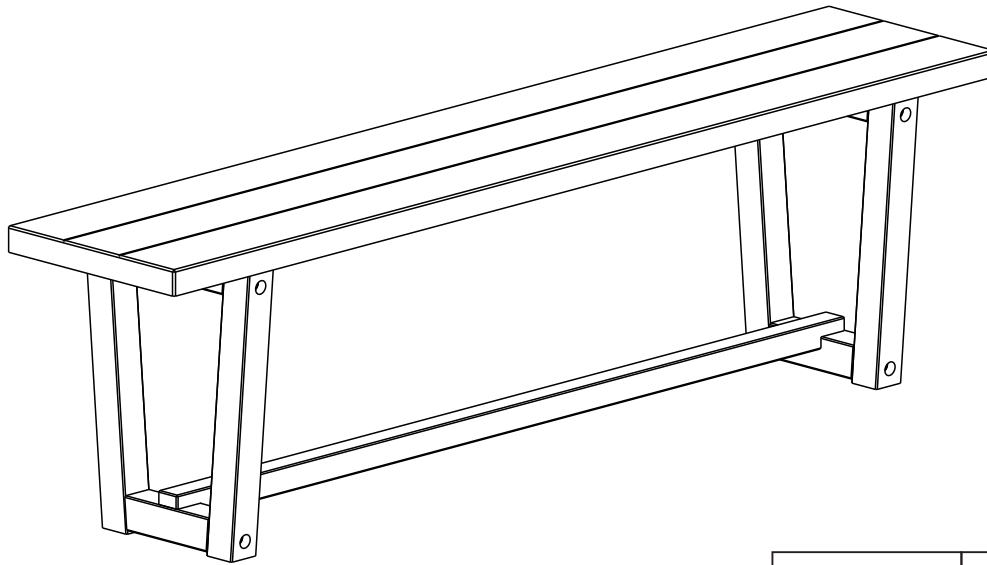


Assembly Instructions



	Model #	Finish
Top	CA6008	Blonde Oak
	CA6010	Brown Oak
	CA6015	Black Oak
Industrial Base	CA7208	Blonde Oak
	CA7210	Brown Oak
	CA7215	Black Oak

Thank you for choosing Grain Wood Furniture, it is an honor to be in your home!
If you have any questions, feedback, or need replacement parts please contact us at:
grainwoodfurniture.com/help or support@grainwoodfurniture.com

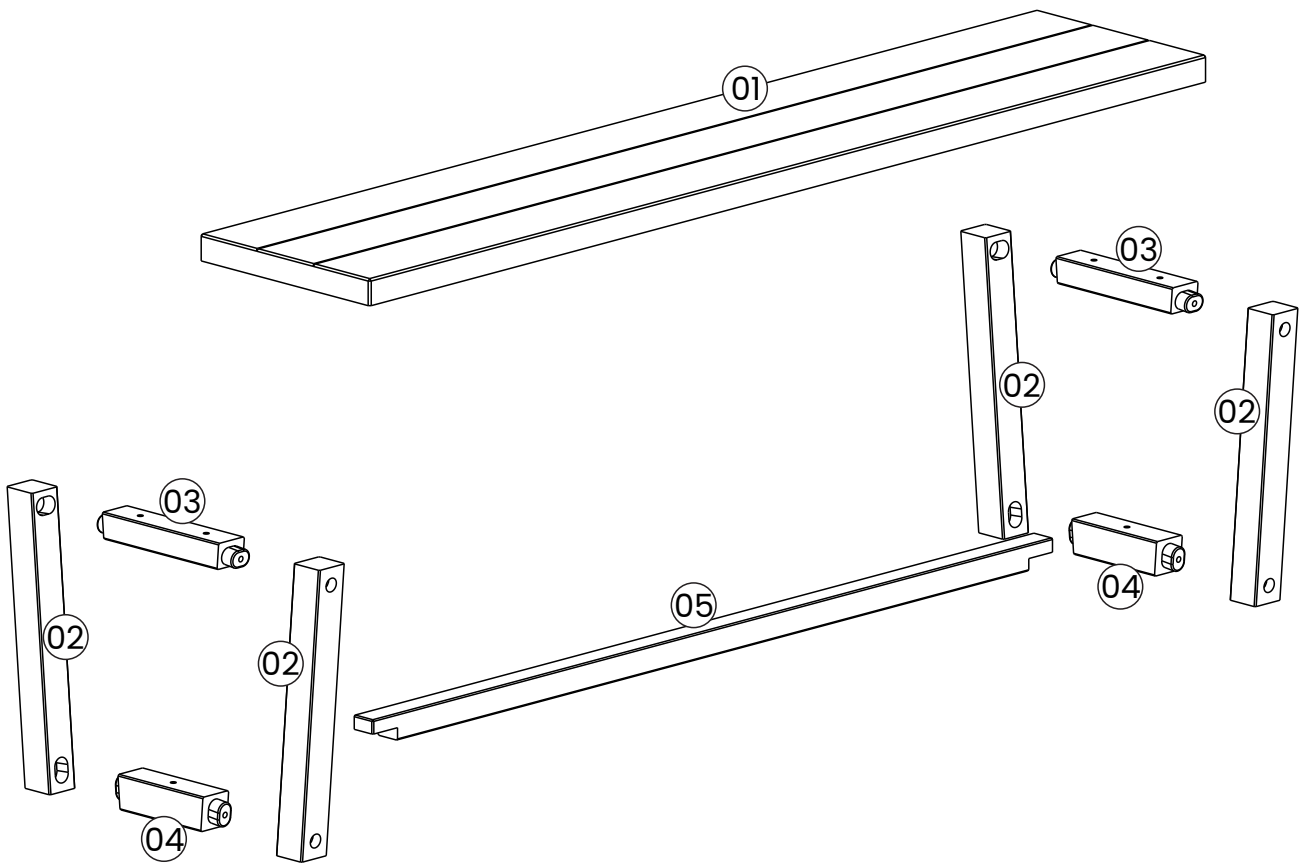
**Cascais Industrial
Bench**

GrainWood
FURNITURE.COM

PLEASE READ BELOW BEFORE BEGINNING ASSEMBLY

- Enlist help from a friend or family member as most items require two people for proper assembly.
- Choose a spacious, open area near where the piece will be located once assembled. It is easier to move parts than to relocate the furniture after it is fully assembled.
- Do not throw away packaging material until assembly is complete.
- Assemble the item on a soft surface, such as cardboard or an old blanket in order to protect the finish from possible dents or scratches.
- Lay out the parts in order and count them twice. In case any parts are missing or damaged, document the problem with pictures and contact support so we can make it right.
- Solid wood furniture may present imperfections such as wood knots, minor splits or cracks which are a natural aspect of the material. Whenever stability of the furniture is not compromised, we recommend customers perform cosmetic touch-ups with wax crayon fillers sold at all major hardware stores.
- It is best to use the tools provided in the box, such as a hex key, because they may be specially sized for the piece of furniture.
- We do not recommend the use of power drills as they can damage your furniture if not used correctly.
- Use a carpenter's square or hardcover book to check angles when assembling drawers and doors. If they are not at 90 degrees, they will not close properly.
- If you have any problems, we are here to help. Just go to grainwoodfurniture.com/help.
- See grainwoodfurniture.com/care-guide for suggestions that will help your furniture last for years.

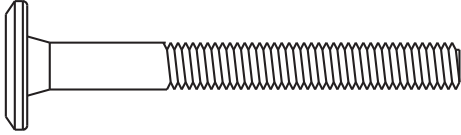
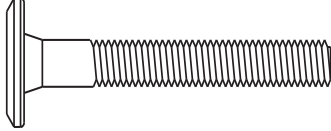

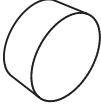
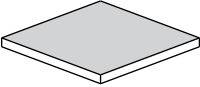
Enjoy your 100% solid wood furniture!



BOX 1		
Part #	Description	Qty.
01	Top	1

BOX 2		
Part #	Description	Qty.
02	Legs	4
03	Upper Crosspiece	2
04	Lower Crosspiece	2
05	Center Crosspiece	1
HW	Hardware	1

HARDWARE LIST

B14		1/4x60	4
B25		1/4x40	10
G13		4,0	2
H17		Ø20X7	8
G17		50x50	4



ATTENTION

Before starting assembly
please verify the hardware
set is complete.

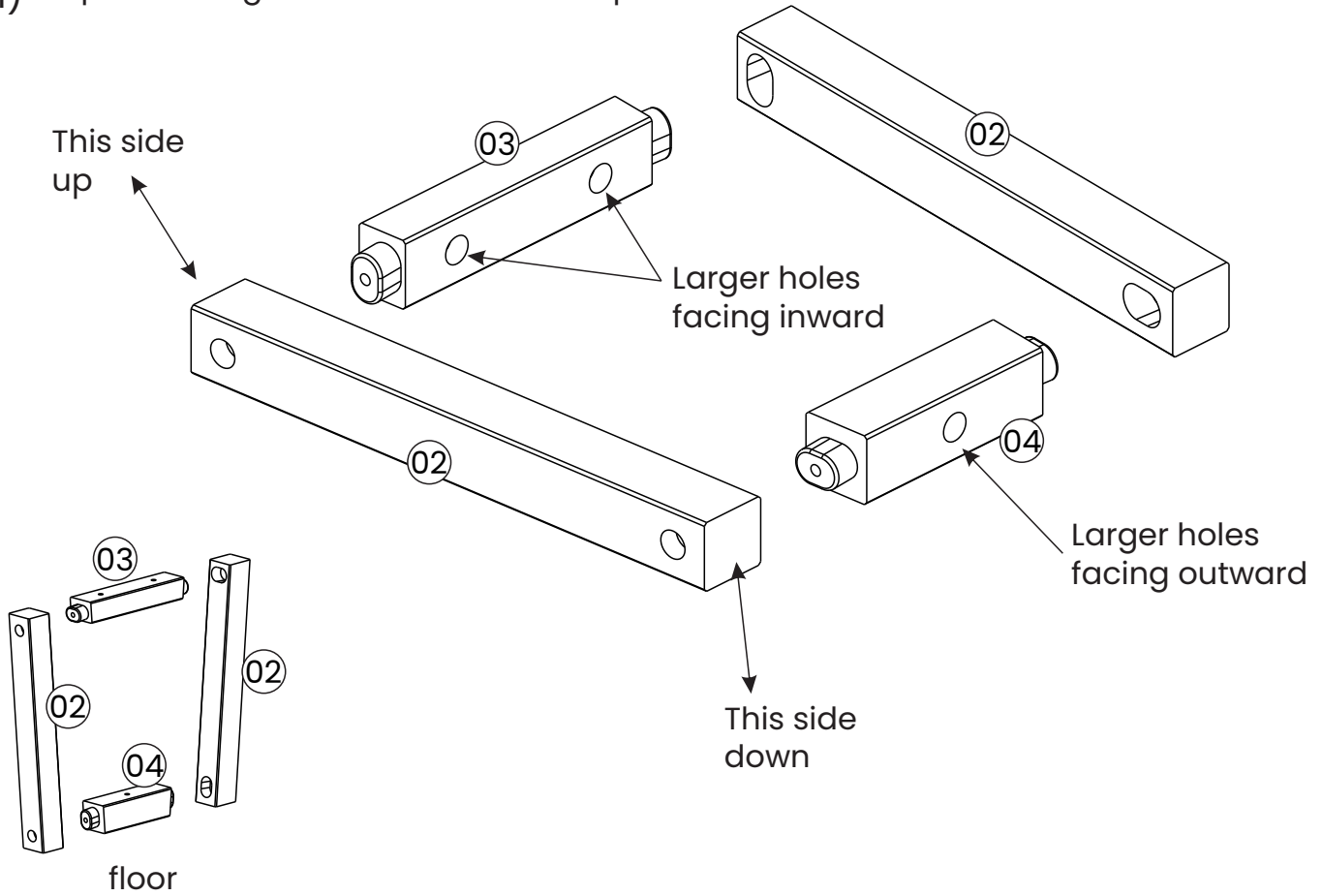
For missing hardware please
contact us at
grainwoodfurniture.com/help

WARNING:

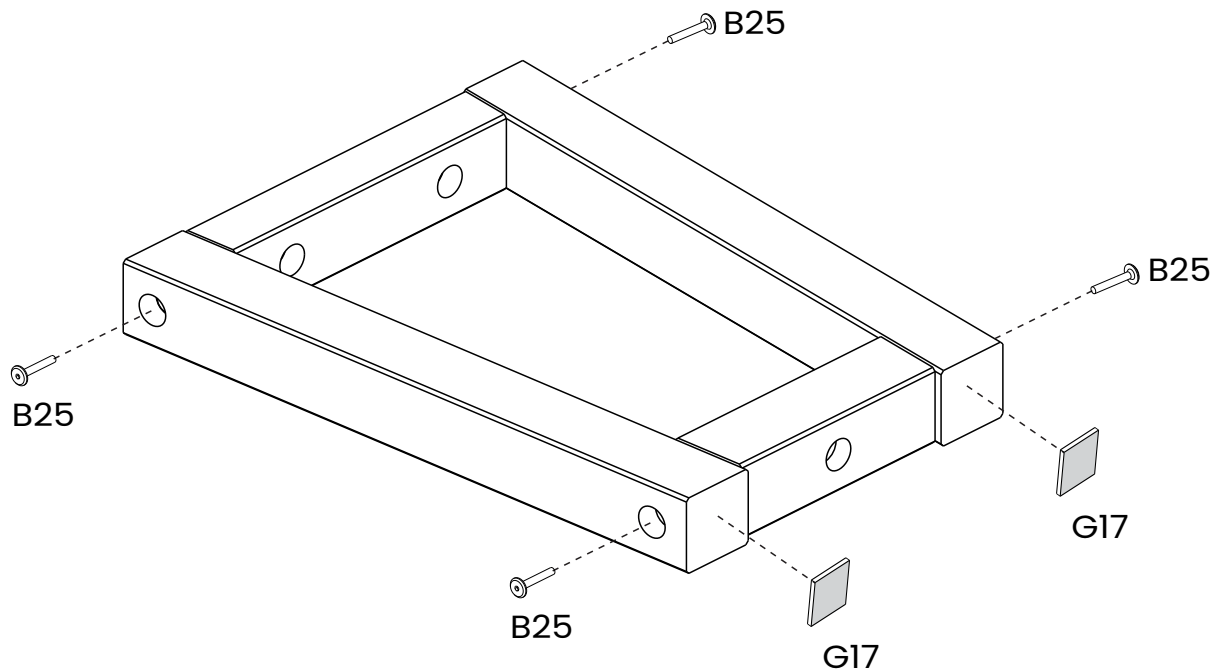
CHOKING HAZARD

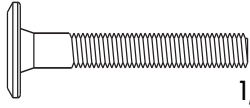
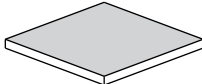
Small parts, not for children.
To be assembled by an adult.

1) Tip: Use a rug or cardboard for floor protection.

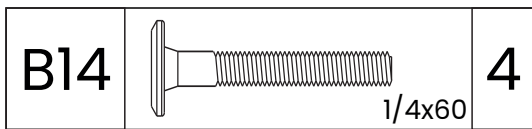
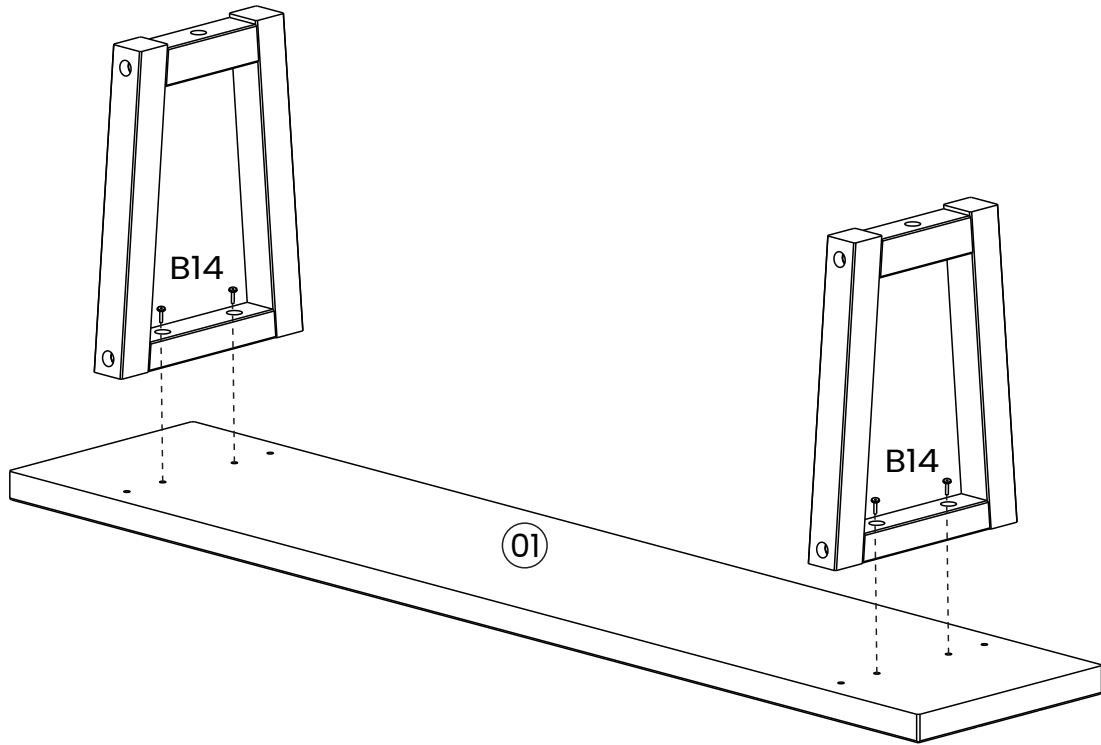


2) Repeat step 2 for both legs.

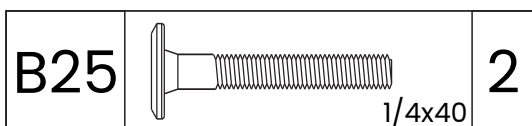
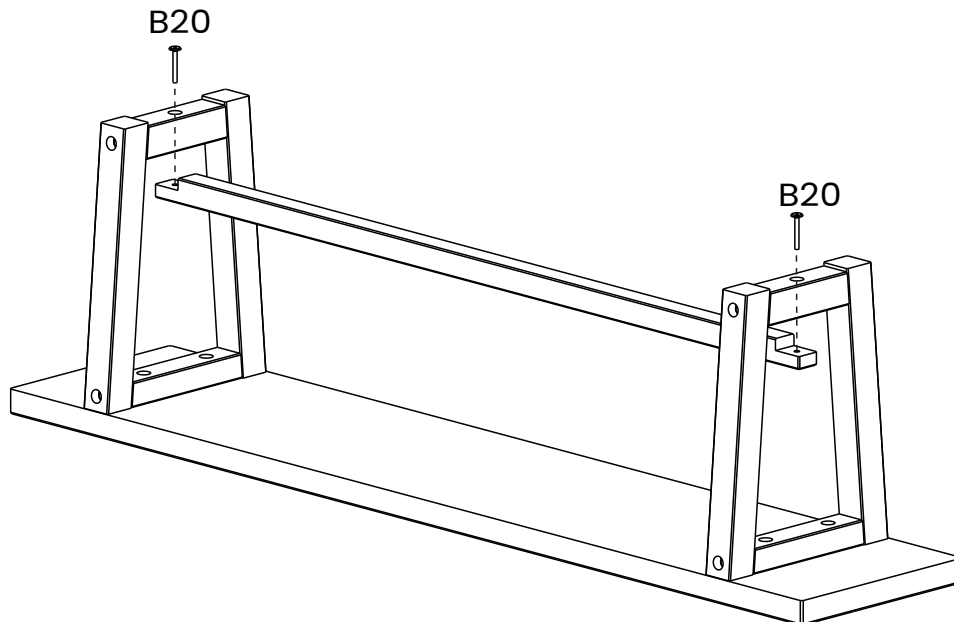


B25	 1/4x40	8
G17	 50x50	4

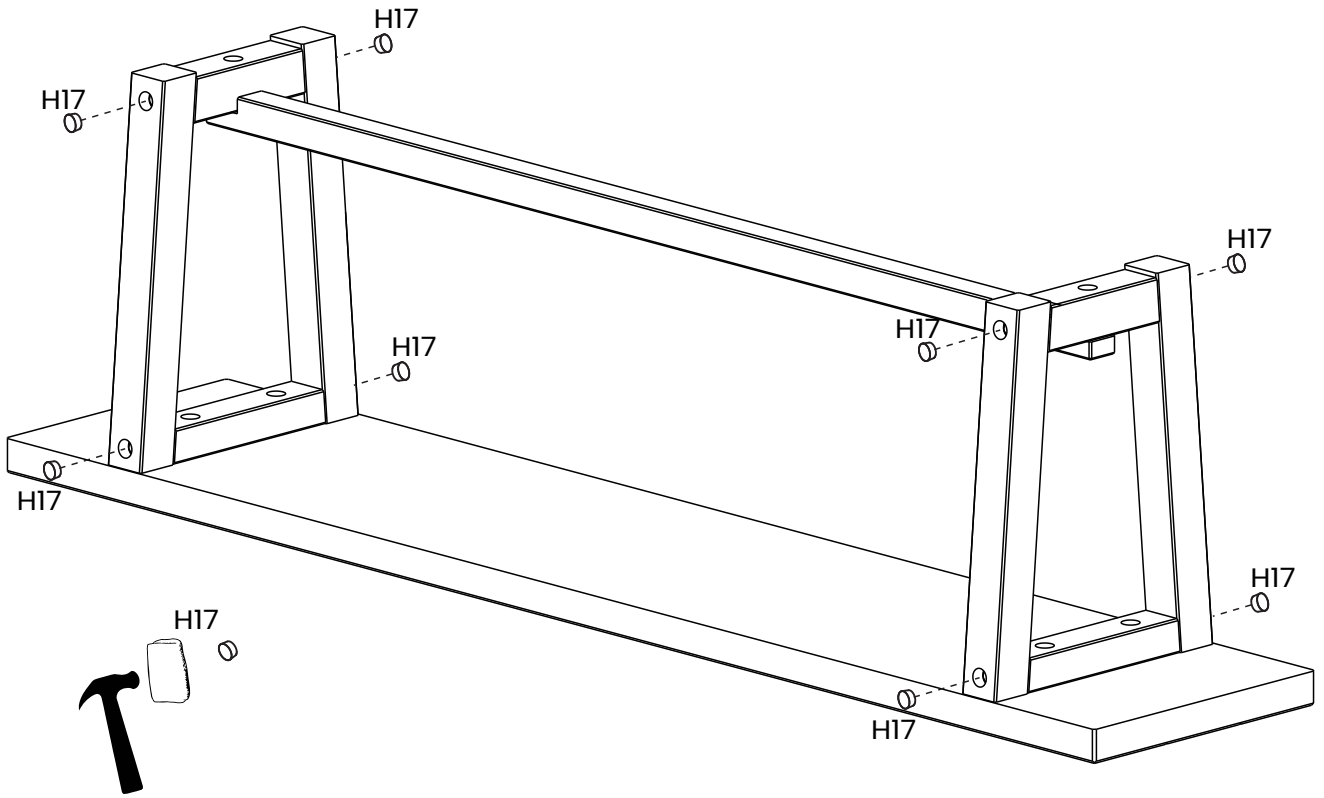
3)



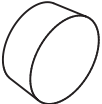
4)



5)



Tip: Use a rubber mallet or a piece of wood to protect the finish when hammering the wood cap.

H17		Ø20X7	8
-----	---	-------	---

		
The wood caps should be flush with the post surface		