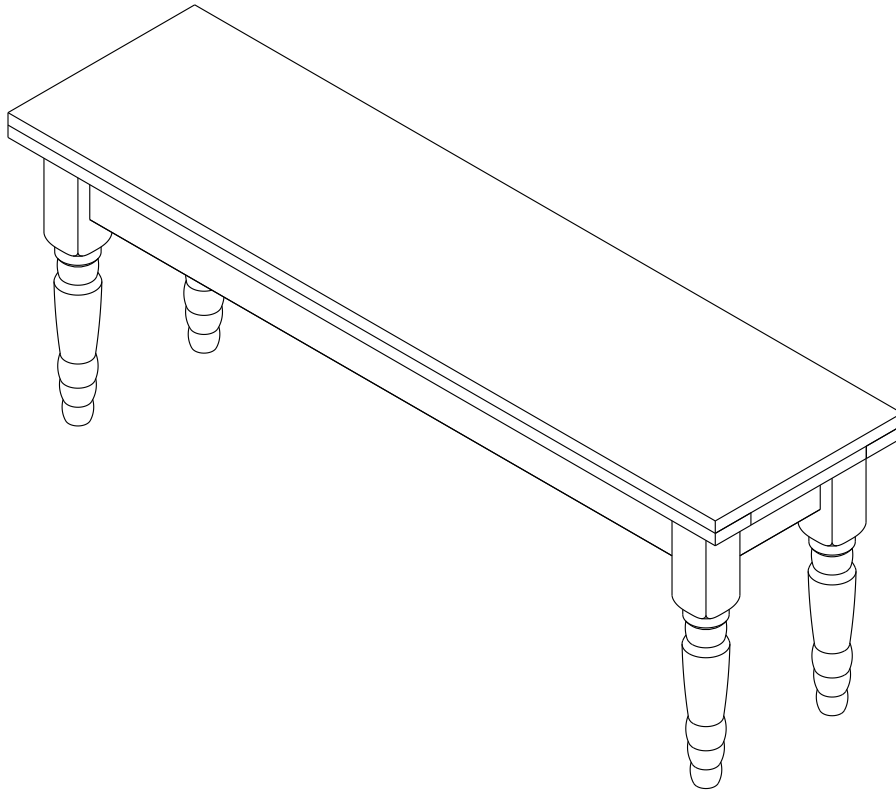


# VALERIE Collection

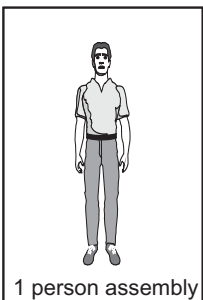
## Assembly Instructions

### Valerie 50" Bench



Thank you for purchasing our furniture, it's an honor to be in your home!

Every effort has been made to ensure your Wood Furniture is of the finest quality. If you have any questions or need any replacement parts, please do not hesitate to contact us at [www.grainwoodfurniture.com](http://www.grainwoodfurniture.com).



Model #	Finish
573120	Rustic Grey
573124	Driftwood
573129	Off White
573188	Barnwood



[www.grainwoodfurniture.com](http://www.grainwoodfurniture.com)

## PLEASE READ BELOW BEFORE BEGINNING YOUR ASSEMBLY

Here are some tips on assembling your flat-pack furniture in order to minimize your assembly time and frustrations:

- Do Not throw away packaging material until assembly is complete.
- Assemble the item on a soft surface, such as cardboard or old blanket, to protect finish from possible dents or scratches.
- Choose a spacious, open area near where the piece will be located. It is easier to move parts than to relocate the furniture after it is fully assembled, depending on its size and weight.
- Organize everything and count it twice. If you organize the items by parts, you'll find it much easier to grab each piece as you build.
- Real Wood furniture may present imperfections such as wood knots, minor splits or cracks that are part of the natural aspect of the material. In few cases, also can be caused by variations of air moisture and temperature. Whenever stability of the piece of furniture is not compromised we recommend customers to perform cosmetic touch-ups by wax crayon fillers sold at all major hardware stores.
- It is best to use any tools the kit provides, such as a hex key, because they may be specially sized for that piece of furniture. We do not recommend the use of power drill, it can damage your furniture if not used correctly.
- Read the entire list of instructions, arranging your parts in order of use as you go.

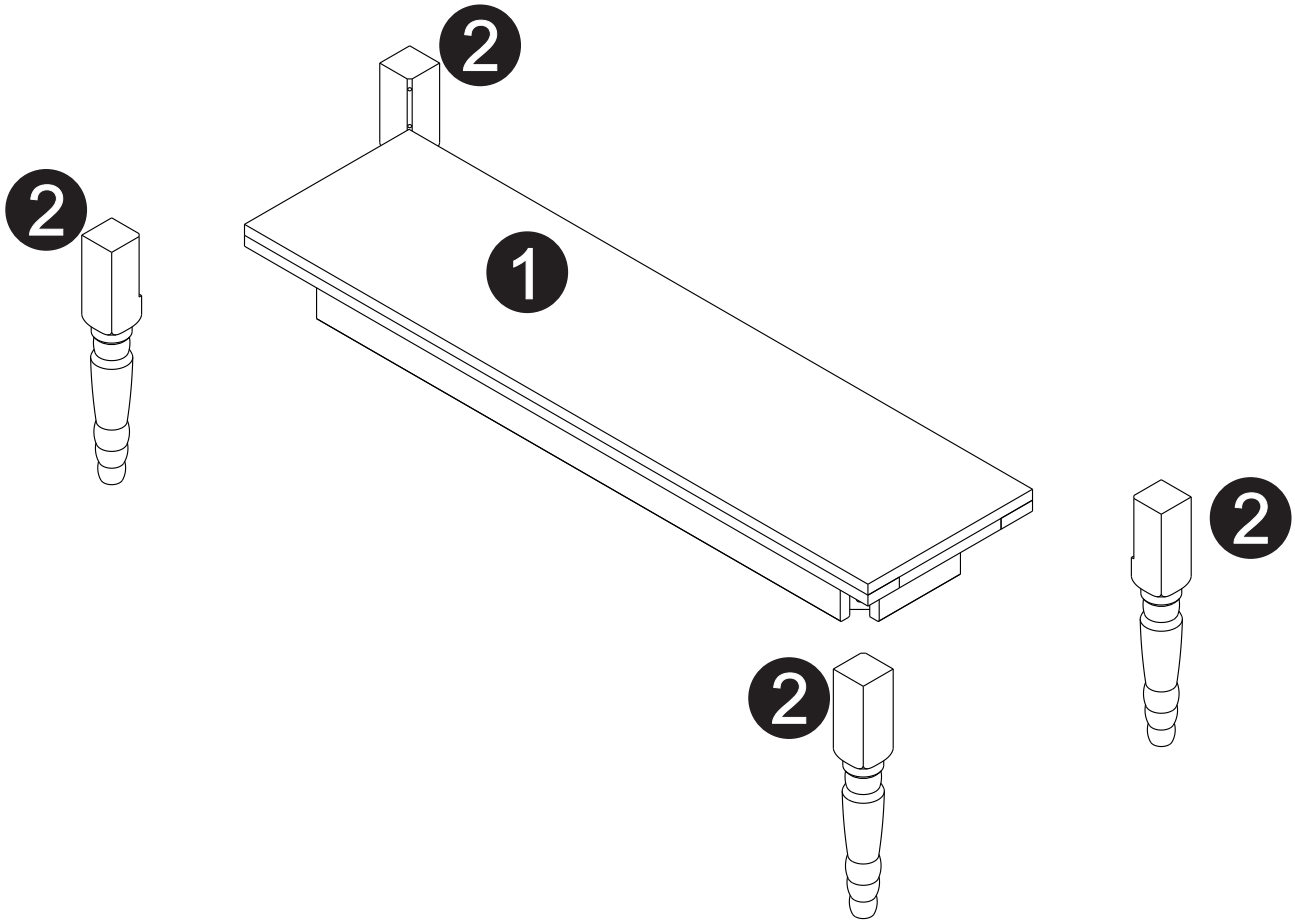
### **Wood Furniture Care:**

- *Clean with a cloth dampened with water or furniture polish following the pattern of the grain.*
- *Do NOT use solvents such as alcohol for cleaning.*
- *Avoid placing under direct sun light, to prevent UV damage.*
- *Avoid positioning very close to heaters or AC vents.*
- *Hot pads should always be used when placing warm serving dishes on your furniture.*
- *Very hot items such as a sauce pan or baking dish should never be placed on a tabletop, even with a hot pad.*
- *Place mats will help to protect the finish from dishes and silverware, and coasters will help protect your furniture from moisture.*

Enjoy your Real Wood Furniture!



# Parts List



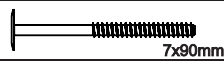
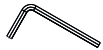

## Parts List

- |         |
|---------|
| 1- Top  |
| 2- Legs |

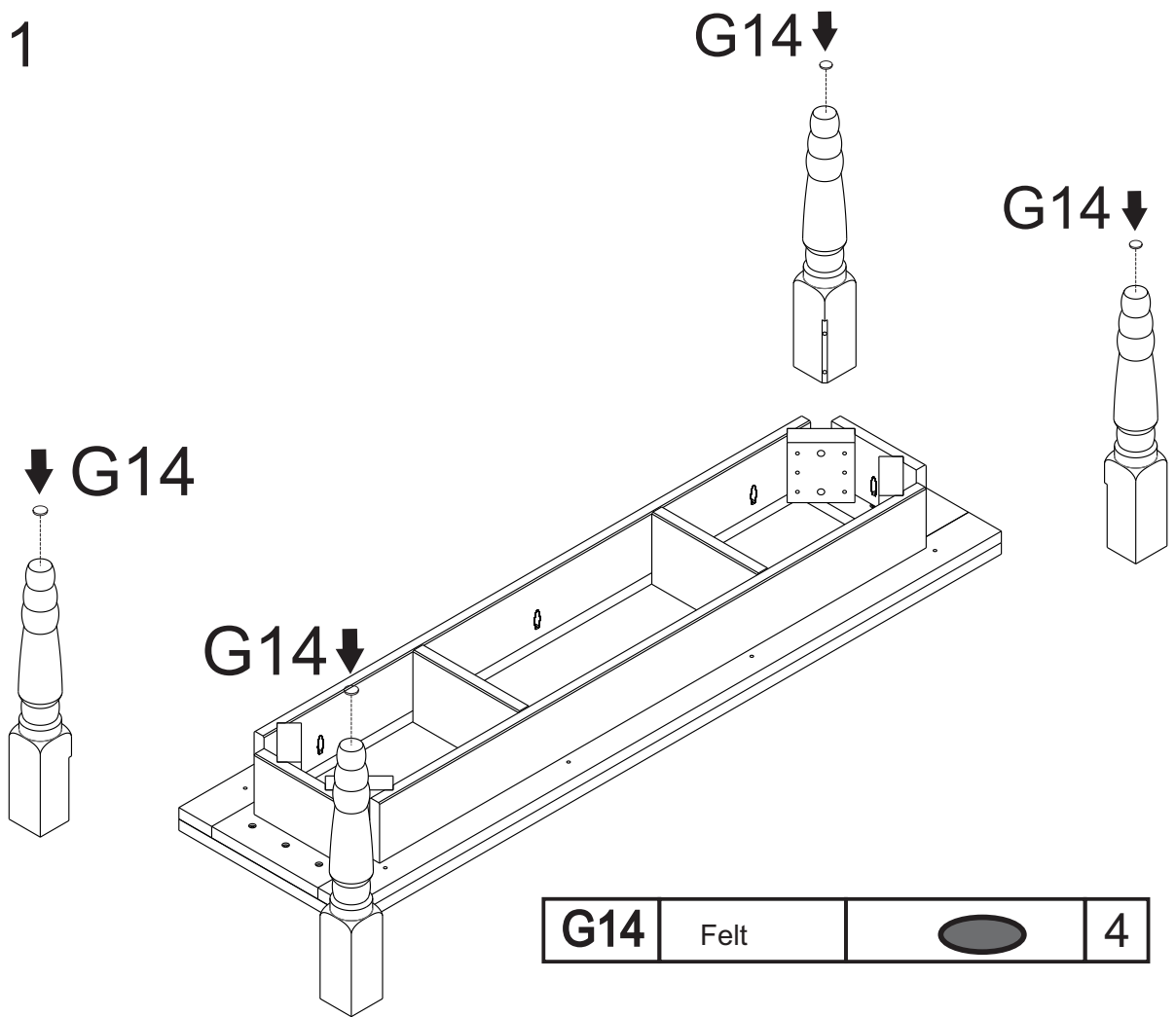


Before Starting assembly please verify if all parts and hardware are included.

## Hardware List

<b>B2</b>	Bolt		8 + 2
<b>G13</b>	Allen Wrench		1 + 1
<b>G14</b>	Felt		4

# Step 1



# Step 2

