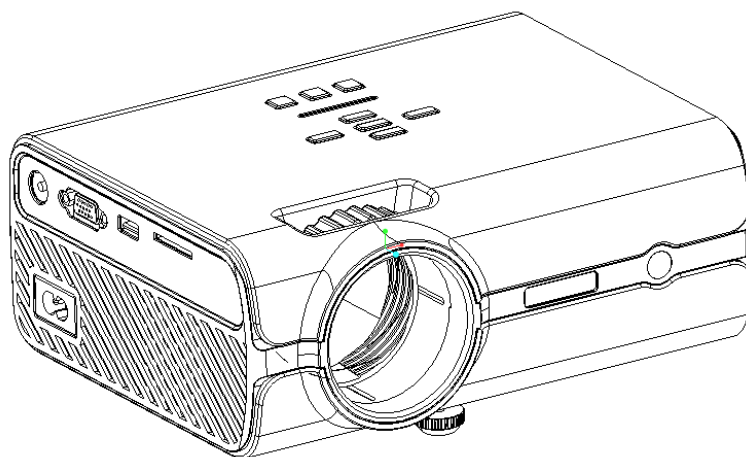


# Micro LED Projector

## User's Manual



**Please read this Manual carefully before using the product**

### **Product characteristics**

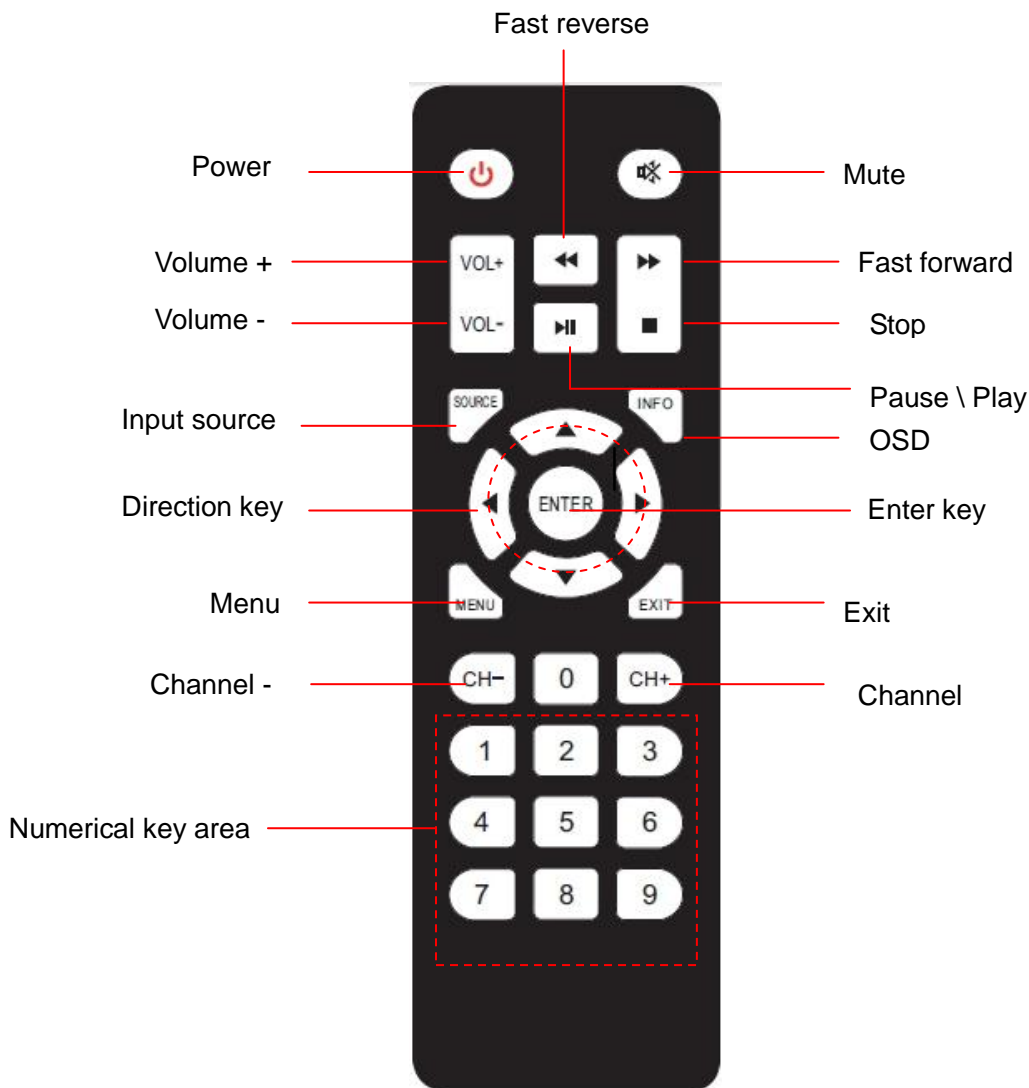
1. Sealing design and efficient radiation passage, which greatly improves the overall stability and lifetime;
2. LED light source, lifetime of 30,000 hours or above, brighter colors, and richer details;
3. Free switch between the 16: 9 and 4: 3 picture modes;
4. Mute, isolation and dust prevention design, and no internal cleaning throughout its lifetime;
5. Low power consumption, more energy efficiency, and more environmental friendliness;
6. Various functional interfaces: AV\VGA\USB\SD\HDMI\TV
7. Functions of optical keystone correction and picture keystone adjustment.

### **Precautions**

1. Please read this Manual carefully before using the projector;
2. Please use the power lines in conformity with the national electricity regulations and the power outlet with grounding and other protective measures in order to ensure the stability of power supply of the projector;
3. Please use the power supply indicated on the projector or provided together with it;
4. Do not unpack or disassemble the projector by yourself, otherwise the company won't provide free warranty service;

5. Do not look directly at the lens of the projector in operation so as not to burn your eyes;
6. Do not put the projector on the objects (such as rags and blankets) that may block the ventilation port;
7. Please avoid water sprinkling or splashing, and never put vases, cups or other containers filled with liquid around the product as it does not have the waterproof function.
8. Please keep the projector away from rain or moisture to avoid an electric shock;
9. Please turn off the power and remove the power line from the plug in case that the product isn't used for a long time;
10. Please use foam and other vibration-proof materials attached with the projector during transportation;
11. Do not try to repair the damaged projector by yourself, instead, please contact the dealer.

## Description of the functions of the remote controller



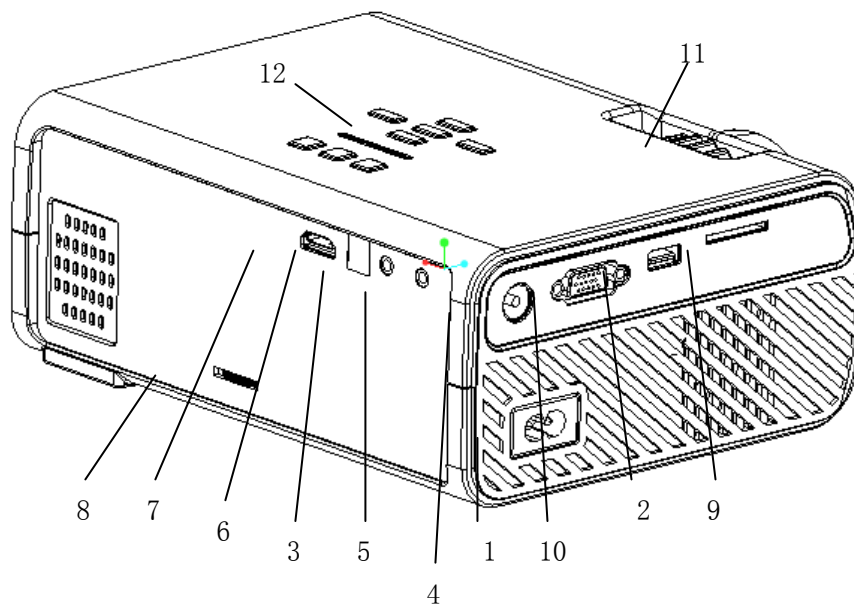
## Notes:

Do not use both old and new batteries in the remote controller lest the operation through the remote controller should be affected due to power shortage;

Please remove the battery to avoid corrosion caused by battery leakage in case that the remote controller isn't used for a long time;

Please direct the signal transmission terminal of the remote controller at the infrared signal reception window of the projector when using the remote controller for operation.

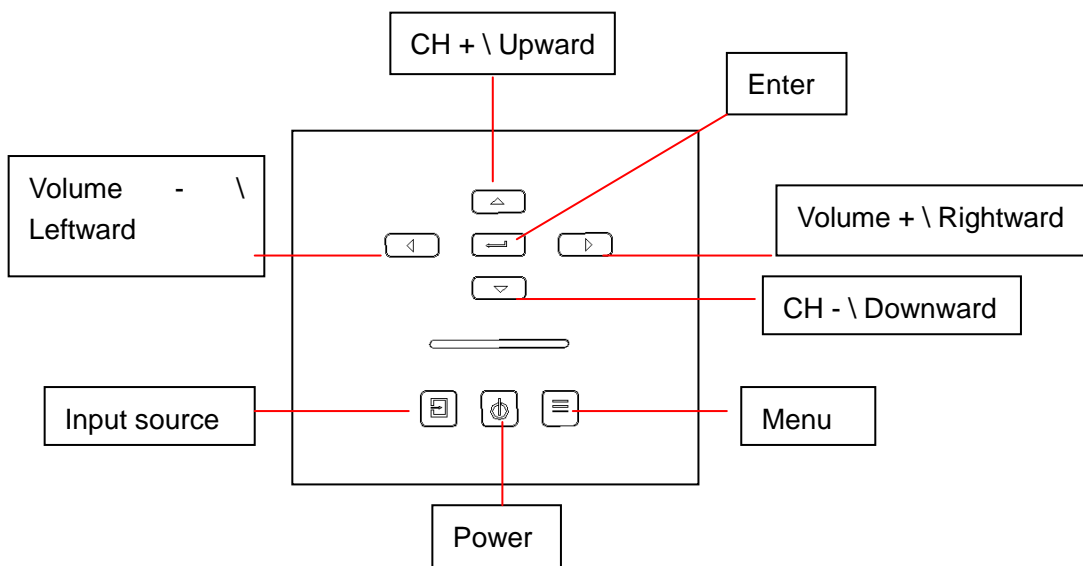
## Product introduction



No.	Definition	Description
1	AC power supply input interface	AC 100 V - 240 V, frequency 50 Hz \ 60 Hz
2	USB interface	For connection of the USB flash disk or mobile hard disk
3	Composite video input interface	Three-in-one adapter cable to composite video signal
4	TV interface	TV signal input interface
5	3.5 mm earphone interface	Earphone or active speaker interface
6	Infrared reception interface	Remote control signal receiver module

7	HDMI input interface	For connection of the HDMI input or other HDMI output equipment
8	Trapezoidal thumbwheel	For keystone adjustment
9	SD card slot	SD card slot
10	VGA interface	Computer input or other VGA output equipment
11	Lens thumbwheel	For focusing
12	Multi-function key	Functional operation key

## Introduction to the function of the keys



## Operation of the body panel keys

1. TV channel: The **SOURCE** key has the following functions: signal menu display, signal input selection as well as confirmation of the internal function of MENU and the searched TV channel.

**The MENU key** has the following functions: function menu display as well as save of the searched TV channel;

**V+V-** has the following functions: signal input confirmation, switch between leftward and rightward movements or selection of the relevant prompt on the function menu interface of MUNE as well as volume adjustment;

**CH+CH-** has the following functions: selection of upward and downward movements on the signal menu input source interface, channel switch after search as well as selection of upward and downward movements on the function menu interface of MENU;

2. HDMI, component signal, PC signal and video signal: The **SOURCE key** has the following functions: signal menu display, signal input selection as well as confirmation of the internal function of MENU;

**The MENU key** has the following function: function menu display;

**V+V-** has the following functions: signal input confirmation, switch between leftward and rightward movements or selection of the relevant prompt on the function menu interface of MUNE as well as volume adjustment;

**CH+ \ CH-** has the following functions: selection of upward and downward movements on the signal menu input source interface and on the function menu interface of MENU;

3. USB \ SD channel: The **SOURCE key** has the following functions: signal menu display, signal input selection as well as confirmation of the internal function of MENU, play (via enlargement) or stop of different files in the USB channel and different functions of the USB play menu bar;

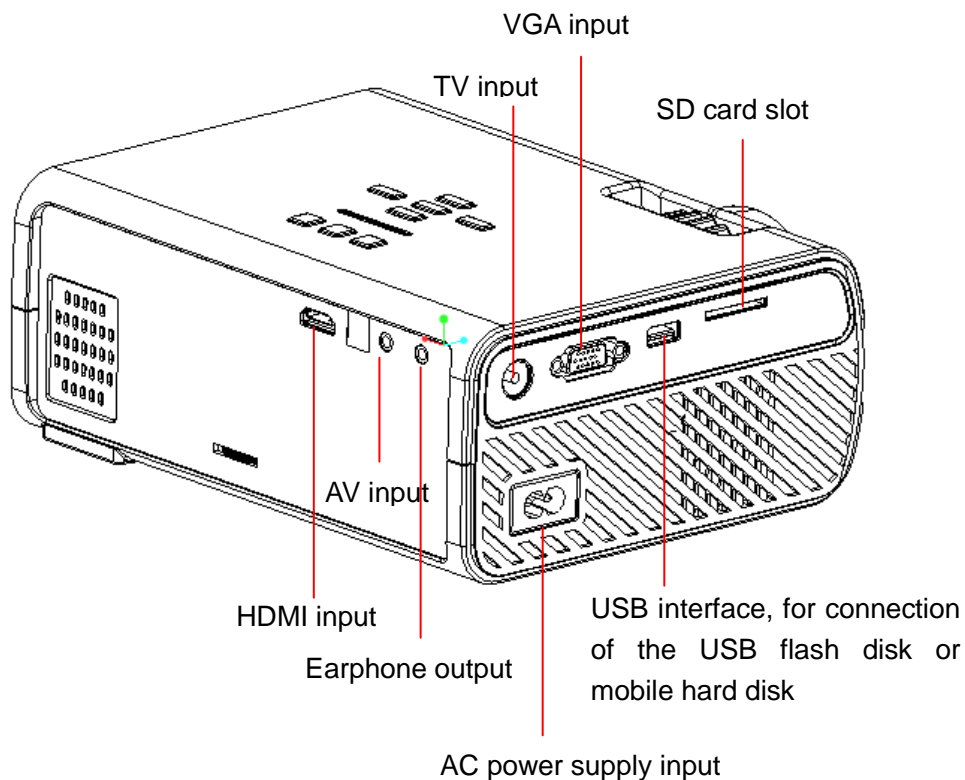
The **MENU key** has the following function: function menu display;

**V+V-** has the following functions: signal input confirmation, switch between leftward and rightward movements on the function menu interface of MUNE, volume adjustment after elimination of the USB play menu bar as well as selection of movement of the USB playlist file and leftward/rightward functional movement or relevant prompt of the USB play menu bar;

**CH+ \ CH-** has the following functions: selection of upward and downward movements on the signal menu input source interface and on the function menu interface of MENU. CH+ is used for selection of ENTER in the USB play mode or when you switch to the next file to be played in the USB. CH- is used for elimination of the play bar menu, playlist menu and skip time as well as return to the previous file during play in the USB play mode;

4. The ENTER key has the following function: confirmation of any channel and function.

## Introduction to product connection



# Operation of the projector

## 1. Startup and shutdown

Connect the projector to the DC side of the power adapter and power on the adapter, and the body power indicator light will go on and the projector will enter the standby state.

Startup: Press POWER on the body or remote controller, and the body power indicator light will flash and the projector will start, i.e. enter the working state;

Shutdown: Press POWER on the body or remote controller, and the projector will shut down.

## 2. Picture focusing

Place the projector lens in a position that is perpendicular to the projection screen or screen wall, and rotate and adjust the lens for a clear picture, i.e. complete the picture focusing. During focusing, you can play the program or call out the menu picture of the product to match the focus adjustment.

## 3. Keystone correction

The projected picture will distort like a trapezoid in some placement modes. Keystone correction is a technology used for normalization of the distorted picture in a digital or optical way.

Before correction      After correction

Vertical

**Solution**

The product provides optical keystone correction. The picture can be adjusted to the rectangular state by turning the keystone correction knob at the back of the body.

Before correction      After correction

Horizontal

**Solution**

The projector has the horizontal keystone correction function, and the reason for such distortion is generally the failure to place the projector in a position that is perpendicular to the projection screen. The solution is to correct the position of the projector, i.e. place the projector in a position that is perpendicular to the projection screen and put it on a smooth desk or bench.

## Operation of the menu

### 1. Signal channel menu



#### 1.1 Operation through the remote controller:

Press "SOURCE" on the remote controller to call out the input source selection menu (as shown in the figure on the left), repeat pressing "SOURCE" (or [↑] \ [↓]) to select the required signal input channel, and then press "ENTER" for confirmation or [←]/[→];

#### 1.2 Operation through the body keys:

Press "SOURCE" on the machine to call out the input source selection menu, press "[↑]/[↓]" to select the required signal input channel, then press "OK" for confirmation or [←]/[→];

**Note: Connect the computer room. Besides the conversion of the projector, it is necessary to convert the computer output accordingly.**

### 2. Multimedia menu

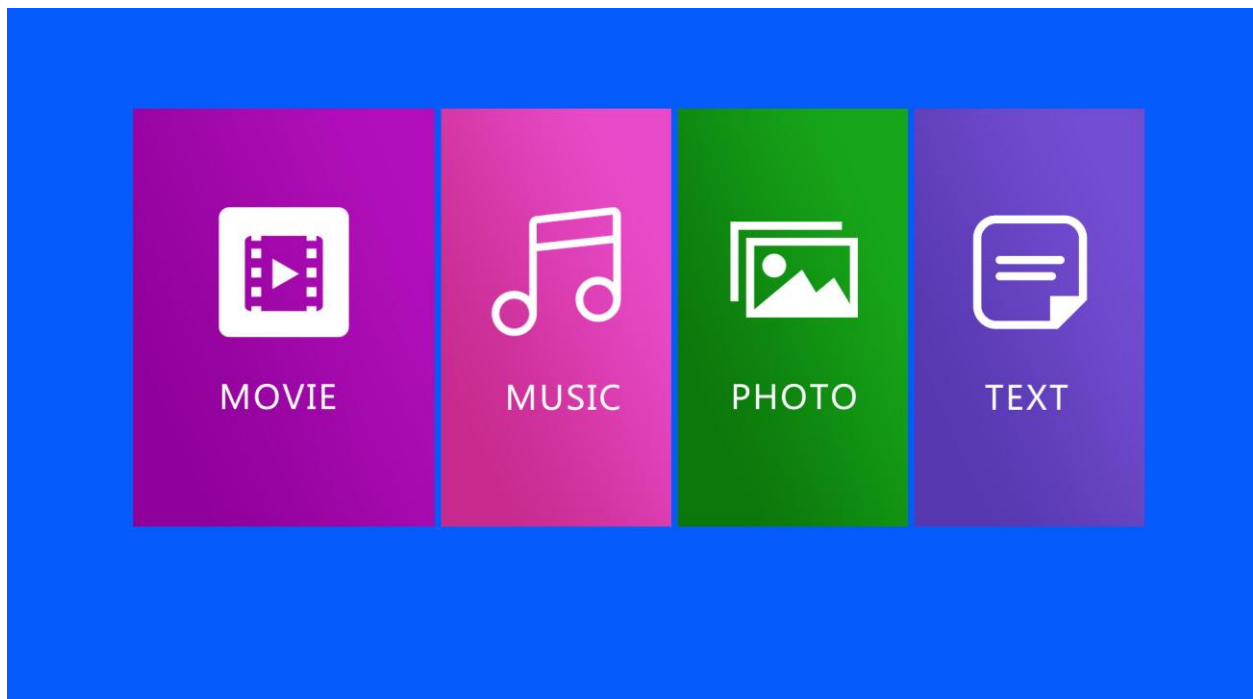
After entry into the USB signal channel through connection of the USB flash disk or SD card, the operation interface shown in the figure below will be generated.

Select "MOVIE" to go to the next menu to play the video;

Select "MUSIC" to go to the next menu to play music;

Select "PHOTO" to go to the next menu to play the photo;

Select "TEXT" to go to the next menu to play the text.



### 3. Main menu setting

#### 3.1 Picture submenu

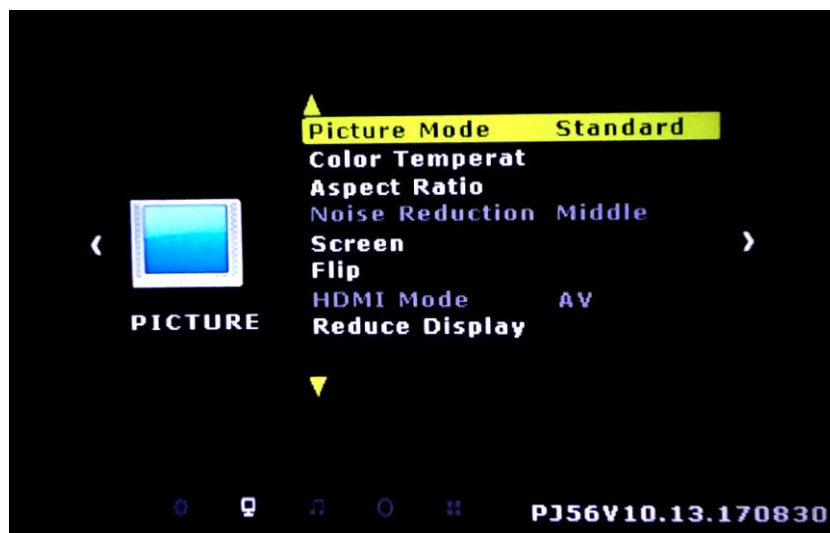
##### 3.1.1 Operation through the remote controller

Press “MENU” on the remote controller to call out the main menu, press “◀▶” to enter the picture submenu and “▲▼” to select the item to be adjusted, and press “ENTER” for setting.

##### 3.1.2 Operation through the body keys

Press “MENU” on the body to call out the main menu, press “V-|V+” to enter the picture submenu and “CH-|CH+” to select the item to be adjusted, and press “OK” for setting.

**In PICTURE, you can set the picture mode, color temperature, aspect ratio, noise reduction, screen flip and computer screen.**



#### 3.2 Sound submenu

##### 3.2.1 Operation through the remote controller

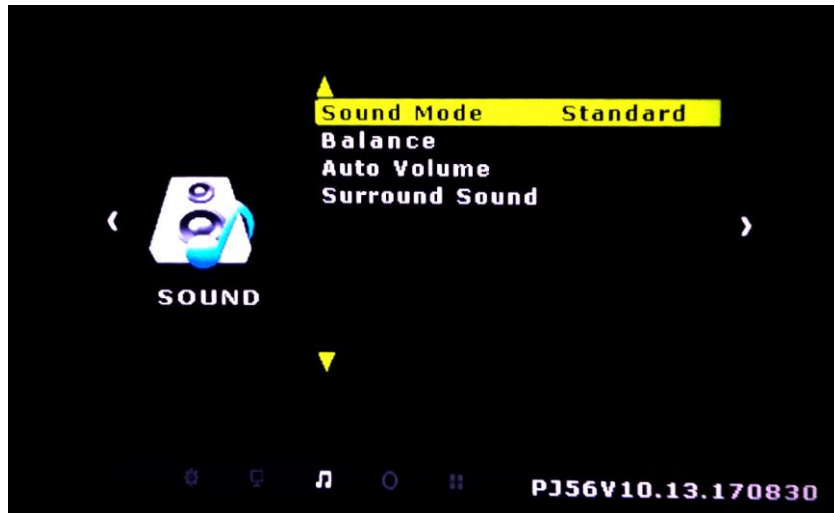
Press “MENU” on the remote controller to call out the main menu, press “◀▶” to enter the sound submenu and “▲▼” to select the item to be adjusted, and press “ENTER” for setting.

##### 3.2.2 Operation through the body keys

Press “MENU” on the body to call out the main menu, press “V-|V+” to enter the sound submenu and “CH-|CH+” to select the item to be adjusted, and press “OK” for setting.

**In SOUND, you can set the sound mode, balance, auto volume and surround sound of the projector.**





### 3.3 Time submenu

#### 3.3.1 Operation through the remote controller

Press “MENU” on the remote controller to call out the main menu, press “◀▶” to enter the time submenu and “▲▼” to select the item to be adjusted, and press “ENTER” for setting.

#### 3.3.2 Operation through the body keys

Press “MENU” on the body to call out the main menu, press “V-\V+” to enter the time submenu and “CH-\CH+” to select the item to be adjusted, and press “OK” for setting.

**In TIME, you can set the sleep timer of the projector.**



### 3.4 Option submenu

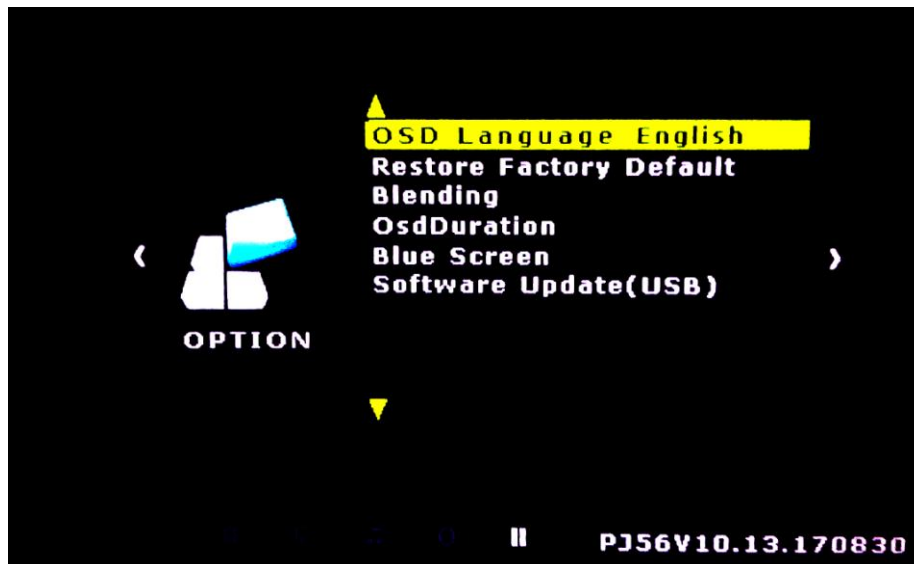
#### 3.4.1 Operation through the remote controller

Press “MENU” on the remote controller to call out the main menu, press “◀▶” to enter the option submenu and “▲▼” to select the item to be adjusted, and press “ENTER” for setting.

### 3.4.2 Operation through the body keys

Press “MENU” on the body to call out the main menu, press “V-\V+” to enter the option submenu and “CH-\CH+” to select the item to be adjusted, and press “OK” for setting.

**In OPTION, you can set the OSD language, restore factory default, Osd duration and software update of the projector.**



### 3.5 Upgrade submenu

#### 3.5.1 Operation through the remote controller

Press “MENU” on the remote controller to call out the main menu, press “◀/▶” to enter the upgrade submenu and “▲/▼” to select the item to be adjusted, and press “ENTER” for setting.

#### 3.5.2 Operation through the body keys

Press “MENU” on the body to call out the main menu, press “V-\V+” to enter the upgrade submenu and “CH-\CH+” to select the item to be adjusted, and press “OK” for setting.

**In CHANNEL, you can set the auto tuning, ATV manual tuning and programme edit for the ATV function of the projector.**

▲  
**Auto Tuning**

**ATV Manual Tuning**  
**Programme Edit**



**PJ56V10.13.170830**