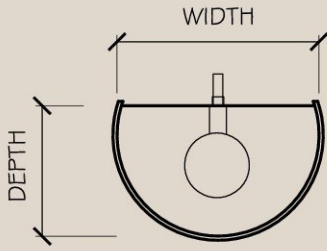


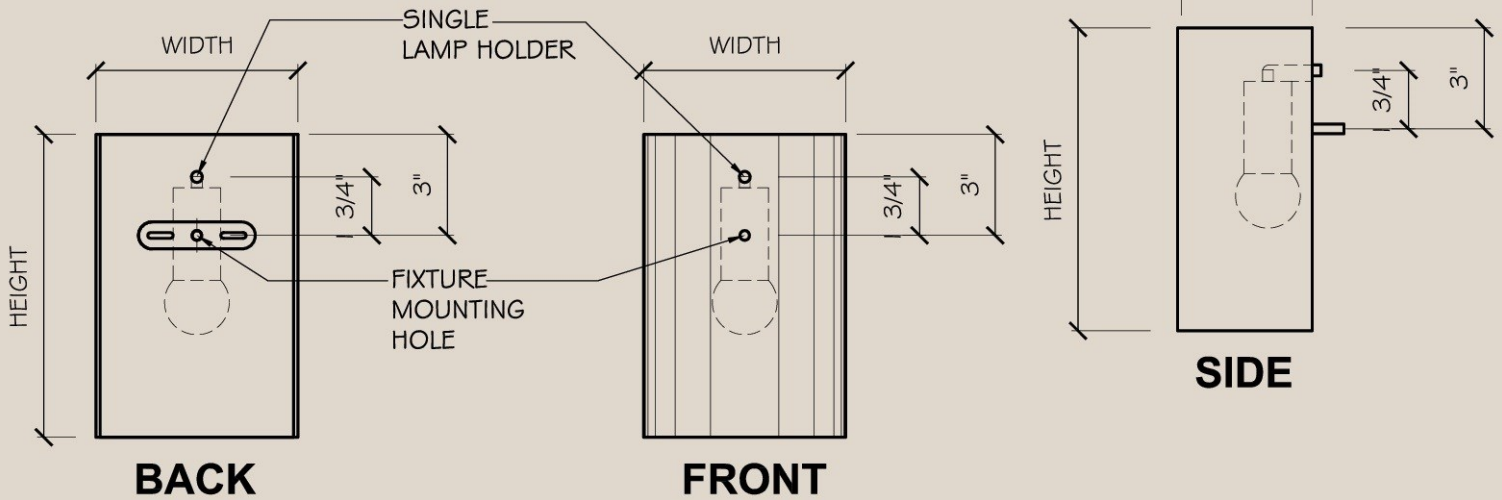
TECHNICAL DATA

SINGLE & DUAL LAMP HOLDER



TOP VIEW

SINGLE LAMP HOLDER



DUAL LAMP HOLDER

