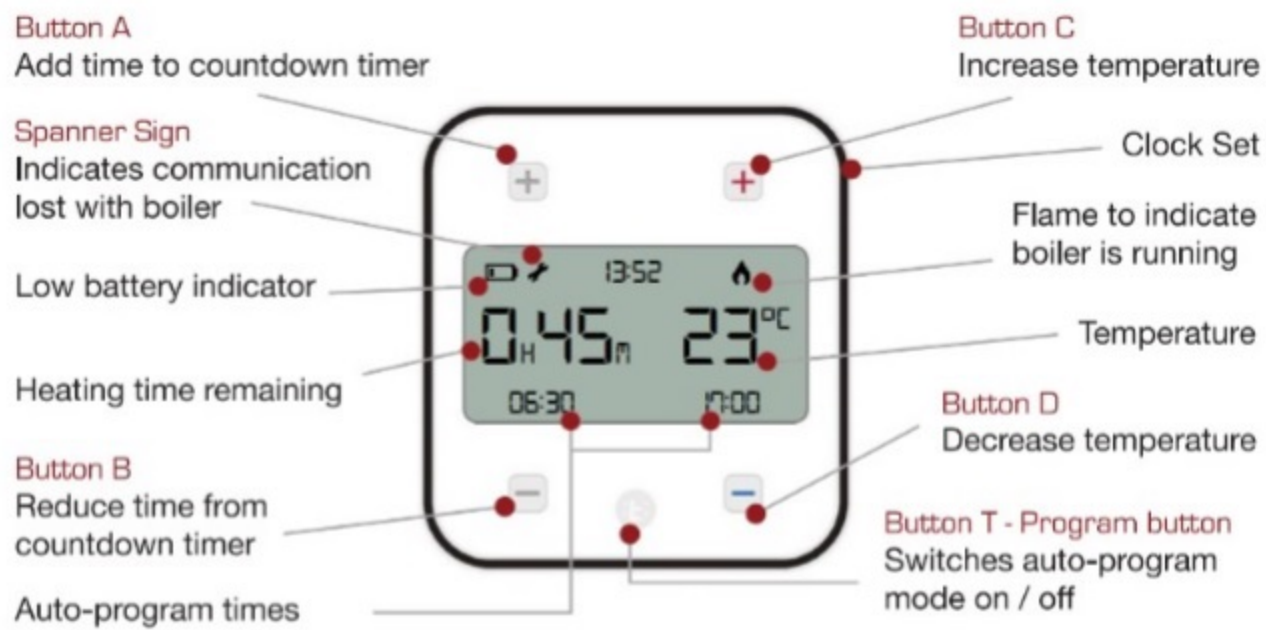
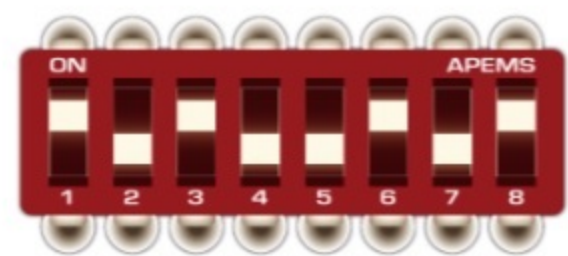


User Guide



Advanced Settings

- TIME:O:STAT® is shipped with default settings.
- Units can be customised at installation by changing settings on the internal switch block.
- Remove batteries before changing settings.



Function	Switch
Auto-program modes *	Automatic time period of activation for two heating periods/day
1hr x 2 auto-off	1 off 2 off - default
2hr x 2 auto-off	1 off 2 on
3hr x 2 auto-off	1 on 2 off
No auto-program mode	1 on 2 on
Minimum temperatures	The temperatures in the property does not drop below this level
Anti-frost 7°C	3 on 4 off
Fabric protection 14°C	3 off 4 off - default
Comfort heat 18°C	3 off 4 on
No minimum temperature	3 on 4 on
Maximum duration	Maximum time user can add to the countdown
2hr countdown max	5 off default
3hr countdown max	5 on
Night warmth mode	User can increase countdown up to 8hrs at reduced temp.
8hr night warmth (19°C max)**	6 on
No night warmth mode	6 off default
Maximum temperatures	Maximum temperature user can select
Maximum setting 28°C	7 off default
Maximum setting 23°C	7 on
Factory pairing	8 for factory or pairing use

DO NOT REMOVE TIME:O:STAT COVER WITHOUT TURNING OFF THE BOILER AT THE MAINS

Quick Start Guide

1. Follow installation instructions:
2. Select desired temperature using buttons (C) and (D).
3. To start heating add time to the countdown using button (A). Additional time is added by repeatedly pressing button (A). Time can be reduced from timer by pressing button (B).
4. The auto-program times can be activated by pressing button (T). This will regulate the heating to the desired temperature for 1 or 2 hours (depending on advanced settings).
- To set the auto-program times, hold the (T) button for 2 seconds.

What is a room thermostat?

A room thermostat switches the heating system on and off as required. It works by sensing the air temperature, then switching the heating on when the air temperature falls below the set thermostat temperature. Then switching it off once this set temperature has been reached. Turning a room thermostat to a higher setting will not make the room heat up any faster. The speed the room heats up depends on the design and size of the heating system. Turning a room thermostat to a lower setting will result in the room being controlled at a lower temperature, and saves energy. The heating system will not work if the timer or program has switched it off. If your heating system is a boiler with radiators, there will usually be only one room thermostat to control the whole house. But you can have different temperatures in individual rooms by installing thermostatic radiator valves (TRVs) on individual radiators. Room thermostats need free airflow to sense the temperature. They should not be covered by curtains or blocked by furniture. Nearby electric fires, televisions or lamps may prevent the thermostat from working properly.

* Auto-program mode - This switches off if no buttons have been pressed on the unit for 48 hours. Auto-program can be reactivated by pressing the (T) button.

** Night warmth mode - This allows the countdown period to be extended for up to 8 hours. However the temperature is limited to 19°C for that time.

This product and its associated documentation and packaging are protected by various intellectual property rights belonging to Timeostat Ltd. These intellectual and property rights may include patent applications, registered designs, unregistered designs, registered trade marks, unregistered trade marks and copyrights. Timeostat reserves the right to modify this document, product and functionality without notice. This document replaces any previously issued instructions and is only applicable to the product(s) described. This product has been designed for applications as described within this document. For use outside of the scope as described herein, refer to Timeostat for guidance. Timeostat cannot be held responsible for misapplication of the product(s) described within this document. Manufactured for and on behalf of the Timeostat Ltd, 31 Neyland Drive, Aylesbury, Buckinghamshire, HP19 9SA, United Kingdom.

TIME:O:STAT is a registered trade mark of Timeostat LTD

Patent Application Pending GB1600514.2a

TIME:O:STAT Installation Instructions



All wiring must be in accordance with current IEE Regulations
Installation must only be carried out by a qualified electrician or heating engineer

Specifications

Temperature Range Normal	14 - 28°C
Temperature Range Limited	14 - 21°C
Frost Protection	7°C
Damp Protection	14°C
Comfort Setting	18°C
Temperature Resolution	Setting 1 °C Measurement and Control 0.5°C
Power Supply Room Thermostat	2 x AA Alkaline 1.5V Cells
Power Supply Remote Slave	5VDC 0.25A via Power adaptor 100 - 240V 50/60Hz 0.1A
Ambient Temperature	Operating 0°C - 45°C Storage -20°C - 55°C
Switching Capacity	2A max @ 230Vac
Radio Communication Link	Bidirectional 433MHz Range up to 30M
Dimensions	100 x 100 x 28mm Thermostat & Remote



The Wired TIME:O:STAT consists of a single unit:

- TIME:O:STAT room thermostat unit. This is battery powered by 2 AA Alkaline cells and requires wiring to the boiler.

The Wireless TIME:O:STAT consists of three units:

- TIME:O:STAT room thermostat unit. This is battery powered by 2 AA Alkaline cells and requires no wiring.
- TIME:O:STAT remote slave unit. This is wired to the boiler.
- TIME:O:STAT power adaptor. This provides power for the TIME:O:STAT remote slave unit.

The heating system should be protected by via a switched fuse of 3 Amps as means of disconnecting the supply. The TIME:O:STAT is a class II (double insulated) device, a safety earth is not required.

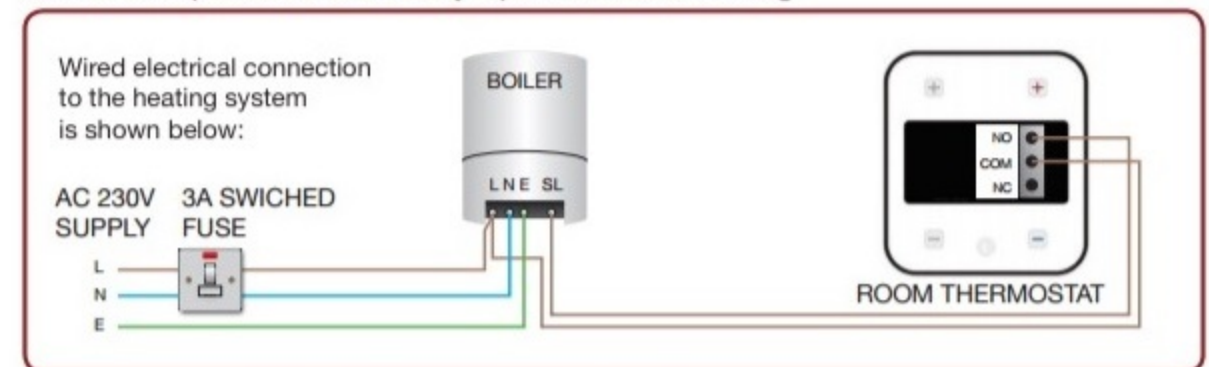
The TIME:O:STAT room thermostat unit should be positioned approx. 1.2M above floor level and away from direct sources of heat.

If installing the wireless version, both room thermostat and remote slave should ideally located greater than 30cm from metal objects for best wireless performance. The ideal location of the TIME:O:STAT remote slave unit is close to the boiler to minimise wiring.

Fixing of the room thermostat and remote slave units; both units consist of an outer housing and a backplate the fixing method is the same for both units. Using the backplate as a template mark the positions of the 4 mounting holes. Fix the backplate directly to the wall using suitable fixing depending on wall construction.

Wiring the room thermostat for the wired version:

Install the wiring as follows, cable entry is through the 12mm entry hole in the back for concealed fixed wiring, using 2 core 5A mains rated flex, if a 3 core flex is used the earth wire must be terminated with an single insulated screw terminal block. Brown or Grey tape should be wrapped around the blue wire to indicate that it not a neutral wire. Strip wires 5mm and secure into terminal block, secure outer cable with the cable tie provided. Install the 2 AA Alkaline cells provided and carefully replace the outer housing.

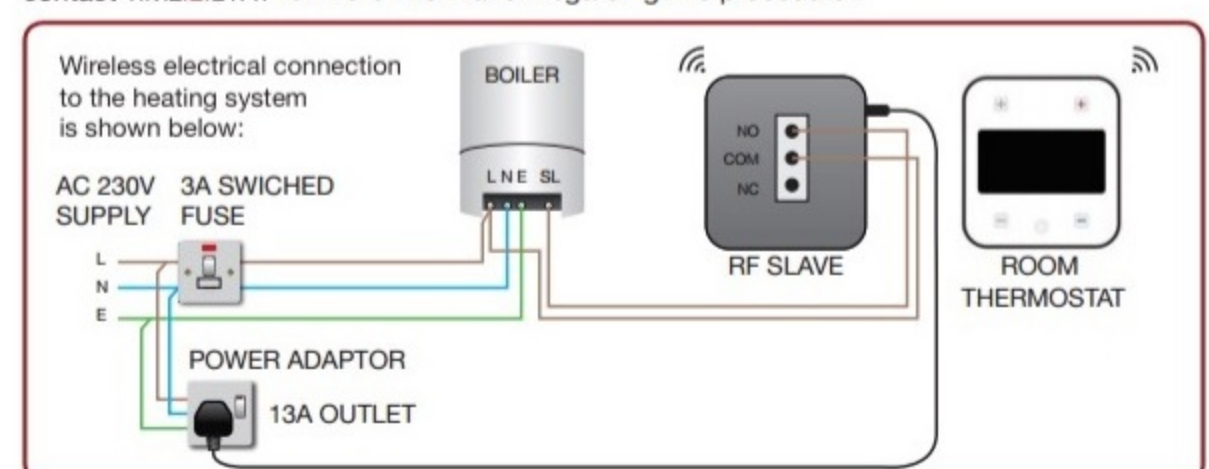


Wiring the remote slave unit for the wireless version:

Install the wiring as follows, cable entry can be either through the 12mm entry hole in the back for concealed fixed wiring, or surface entry via the hole in the bottom face of the backplate, using 2 core 5A mains rated flex, if a 3 core flex is used the earth wire must be terminated with an single insulated screw terminal block. Brown or Grey tape should be wrapped around the blue wire to indicate that it not a neutral wire. Strip wires 5mm and secure into terminal block, secure outer cable with the cable tie provided.

Plug the mains adaptor power cable into the socket on the base of the TIME:O:STAT Remote Slave unit Plug the mains adaptor into a 13A outlet. Note the TIME:O:STAT Remote Slave unit must only be powered by the AC adaptor supplied DO NOT connect directly to the mains. Install the 2 AA Alkaline cells into the room thermostat and carefully replace the outer housing.

If you have multiple wireless TIME:O:STAT units in a property or neighbouring properties then you will need to change the RF communication channels to maintain correct pairing. Please contact TIME:O:STAT for more information regarding this procedure.



Upon completion of wiring for either wired or wireless versions refit the front cover housing and secure with the supplied hex screw. Refer to User guide for programming and operation.