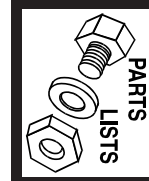
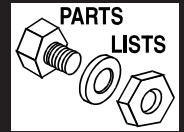


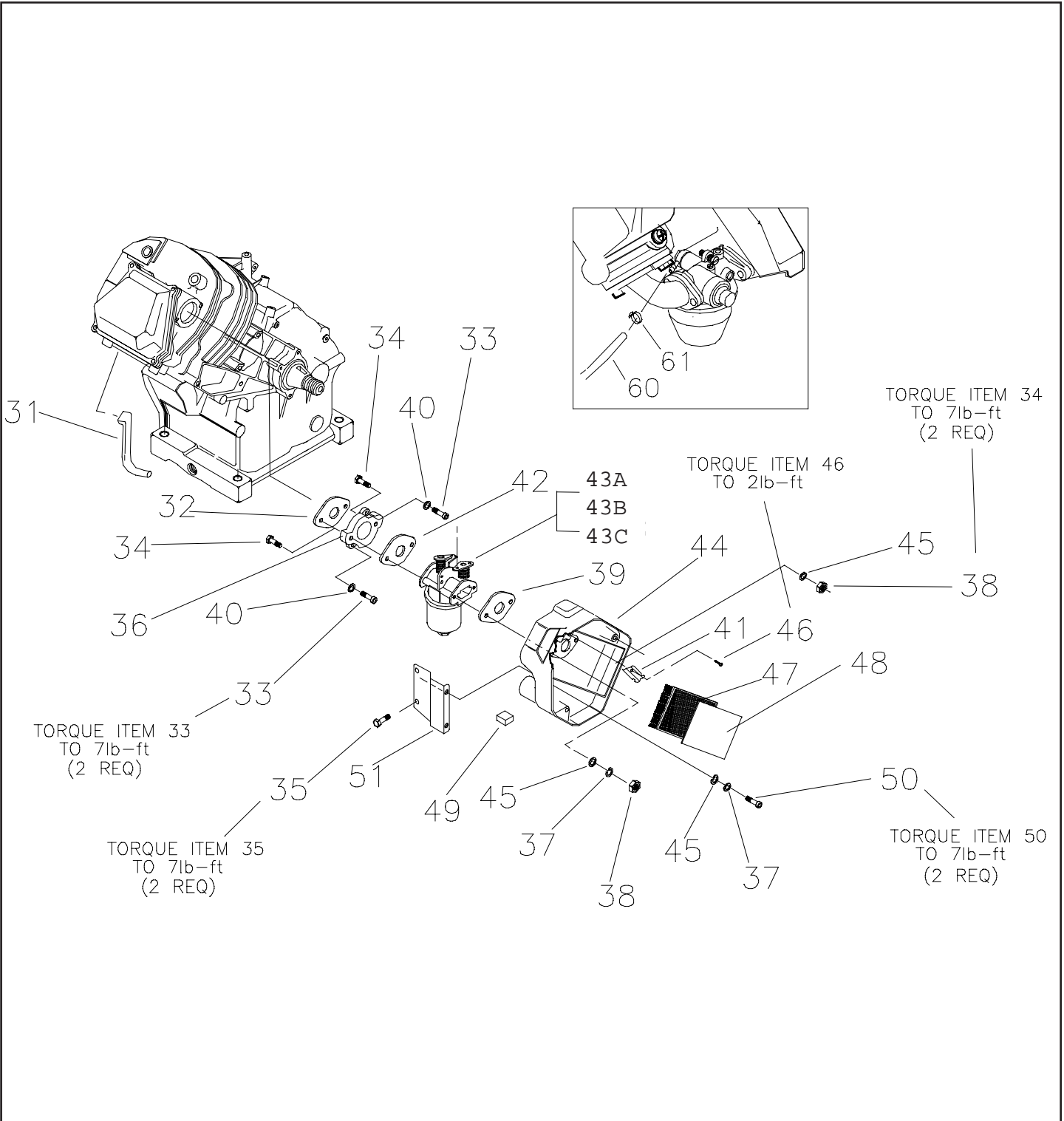
#31 INCLUDES ALL PARTS  
OUTLINED BY THE RED BOX




**REPAIR PARTS LIST — LONG BLOCK (GN-320/360/410)**

ITEM	PART NO.	QTY.	DESCRIPTION	ITEM	PART NO.	QTY.	DESCRIPTION
1	71978	1	Connecting Rod With Cap and Bolt	29	86025	1	Gerotor Set
2	71980	1	Piston Pin	30	84430	1	Balancer
3A	89291	1	Piston Ring Set 80 MM (320)	31	21714	1	Cylinder Head With Valve Seats & Guides
3B	71977	1	Piston Ring Set 85 MM (360)	32	86516	1	Exhaust Valve
3C	21533	1	Piston Ring Set 90 MM (410)	33	86517	1	Intake Valve
4A	89217	1	Piston 80 MM (320)	34	88396B	2	Push Rod
4B	76339	1	Piston (360)	35	83897	2	Tappet
4C	96699	1	Piston (410)	36	77158	1	Oil Pick-Up Assembly
5	71983	2	Piston Pin Retainer	37	71987	1	Rocker Cover Gasket
6A	78666A	1	Crankshaft Assembly With Gears (Small Taper)	38	72694	2	Pivot Ball Stud
6B	76378A	1	Crankshaft Assembly With Gears (Straight Shaft)	39	83907	2	Rocker Arm
7	A7628	1	Governor Arm	40	72696	2	Jam Nut (Rocker Arm)
8	78658	1	Governor Arm "R" Pin	41	78694	1	Push Rod Guide Plate
9	78659	2	Governor Arm Washer	42	21742	4	M10-1.5 x 105 Head Bolt
10A	88261D	1	Crankcase H.S. W/Taper Plugs (320)	43	83938	1	Rocker Cover Breather Assembly
10B	88261C	1	Crankcase H.S. W/Taper Plugs (360)	44	76329	1	Oil Fill Plug
10C	88261E	1	Crankcase H.S. W/Taper Plugs (410)	46	86254	1	O-Ring 17.8 I.D. x 2.4 THK.
12	72655	2	Crankshaft Seal	47	26925	2	3/8" NPT Pipe Plug
13	A8930	1	Gov. Gear Assembly	48	74908	1	M5-0.8 x 8MM Screw (Thread Forming)
14	78645	1	Governor Retainer ("C" Ring)	50	86515	4	Valve Spring Keeper
15	A7811	1	Governor Spool	51	78606	4	M6-1 x 12MM Pan Head Screw & Lockwasher
19	A7081	1	Camshaft Assembly	52	A1442	8	Hex Head Flange Bolt M8-1.25 x 42MM
20	76701	1	Crankcase Gasket	53	78672	1	Valve Stem Seal
21A	21713A	1	Cylinder Head Gasket (320-360)	54	89673	2	Valve Spring Washer
21B	21713B	1	Cylinder Head Gasket (410)	N/A	21947C	1	Long Block Assm. (320cc w/item 6A)
22	78691	1	Oil Pressure Reliefcover	N/A	21948C	1	Long Block Assm. (360cc w/item 6A)
23	A5771	1	Pressure Relief Spring	N/A	21949C	1	Long Block Assm. (360cc w/item 6B)
24	A5776	1	Pressure Relief Ball	N/A	A1044A	1	Long Block Assm. (410cc w/item 6A)
25	76361	1	Thrust Washer	N/A	A6497A	1	Long Block Assm. (410cc w/item 6B)
26	A8898B	1	Gear Cover				
27	86514	2	Valve Spring Retainer				
28	91308	2	Valve Spring				

**EXPLODED VIEW — AIR CLEANER AND CARBURETOR**

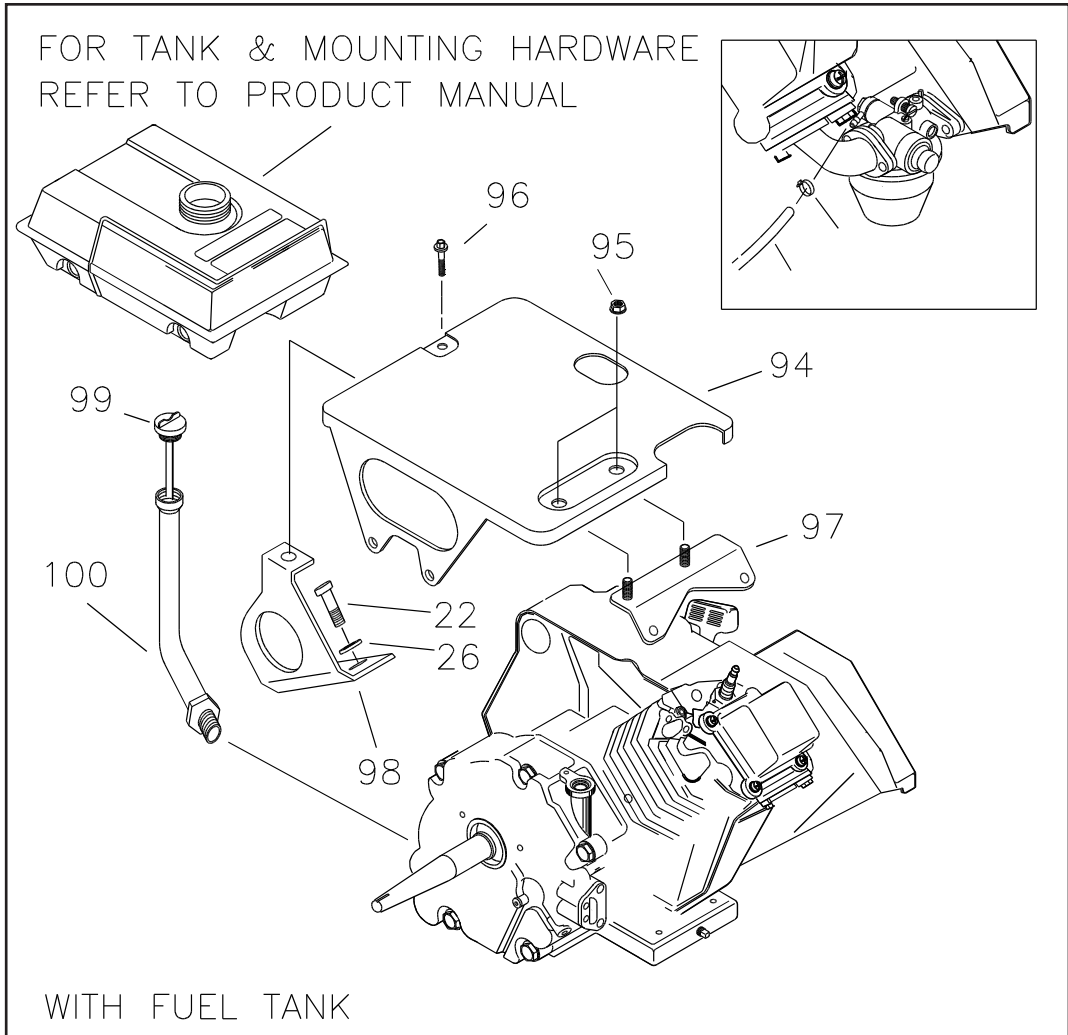




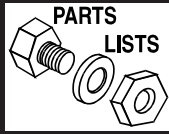
**AIR CLEANER AND CARBURETOR**

ITEM	DESCRIPTION	PART NO.	QTY.	ITEM	DESCRIPTION	PART NO.	QTY.
31	Breather Hose	72745	1	44	Air Cleaner Base	73108A	1
32	Manifold Head Gasket	91039	1	45	M6 Flatwasher	49811	4
33	M6 x 20 SHCS	40945	2	46	#8 x 3/8" Plastite Screw	59635	1
34	Carburetor Bolt	81647	2	47	Air Filter	73111	1
35	M6 x 12 HHCS	66476	2	48	Precleaner	81646	1
36	K Adapter	91028	1	49	Choke Knob	83504	1
37	M6 Lock Washer	22097	3	50	M6 x 16 HHCS	47411	2
38	M6 Hex Nut	49813	2	51	Bracket Air Box	90827	1
39	Carburetor/Air Box Gasket	90970	1	60	1/4" ID Hose	30340	12"
40	M6 Ribbed Lock- washer	93873	2	61	Hose Clamp	48031C	1
41	Spitback Plate	91204	1				
42	Carburetor/Manifold Gasket	89228	1				
43A	320 Nikki Carburetor	93302A	1				
43B	360 Nikki Carburetor	91187A	1				
43C	410 Nikki Carburetor	A4600	1				

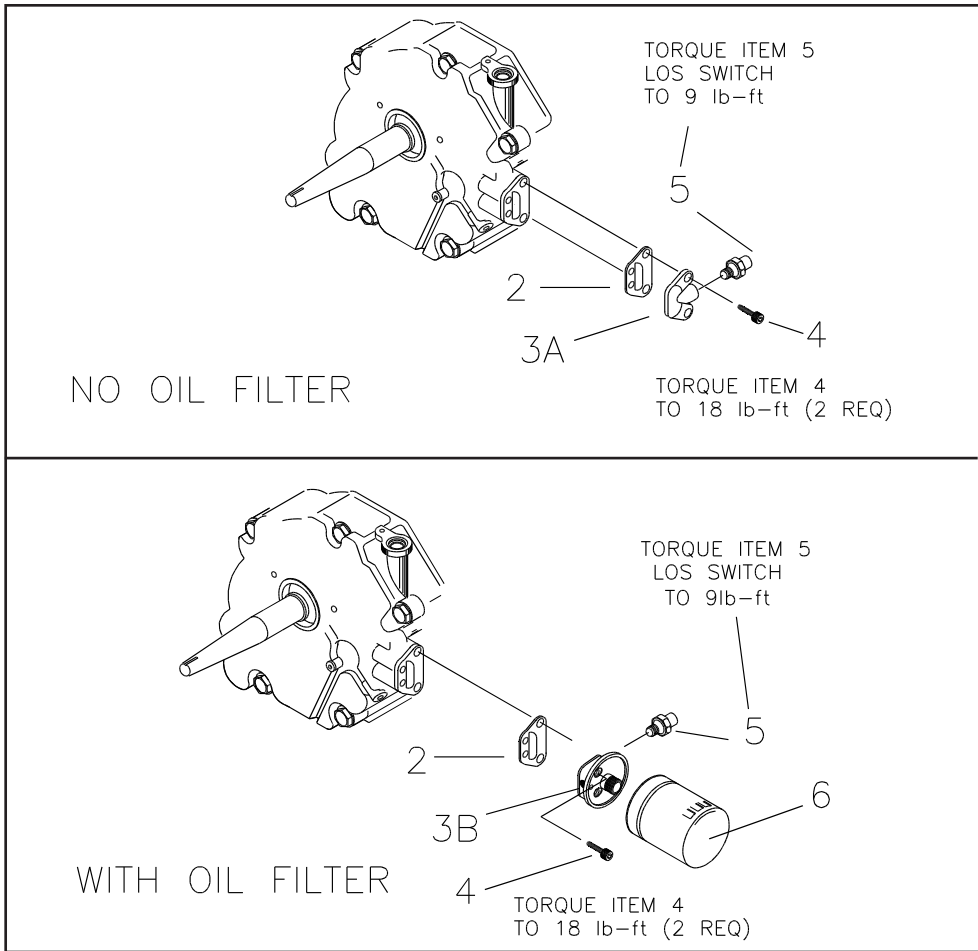
**EXPLODED VIEW — GAS TANK MOUNTING HARDWARE**



ITEM	PART #	QTY.	DESCRIPTION
22	40976	2	SHCS M8-1.25 X 20
26	22129	2	Lock Washer M8
94	B2348	1	Tank Cradle
95	52858	2	M8 Lock Nut
96	59012	2	M8 X 20 FLHCS
97	96083	1	Front Tank Bracket
98	96084	1	Rear Tank Bracket
99	89263	1	Dipstick ASM
100	A6558	1	Oil Fill/Check Tube

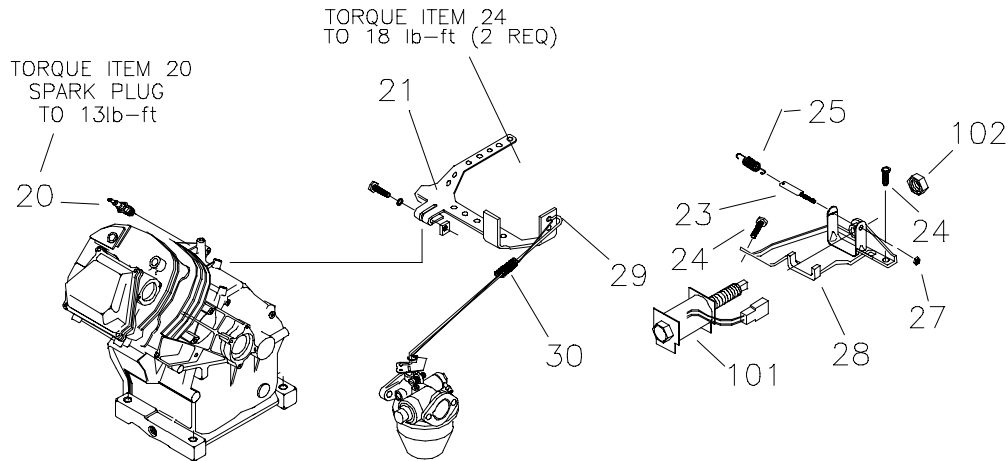
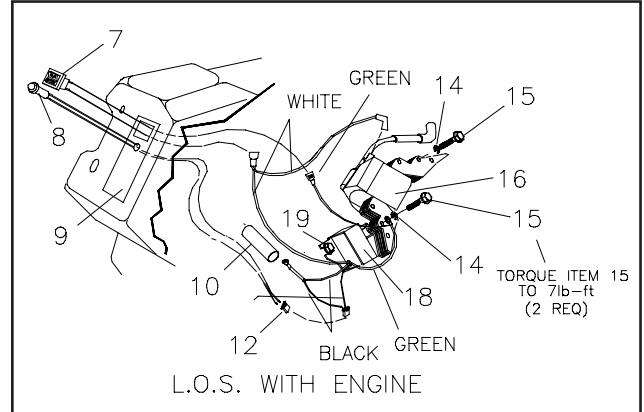
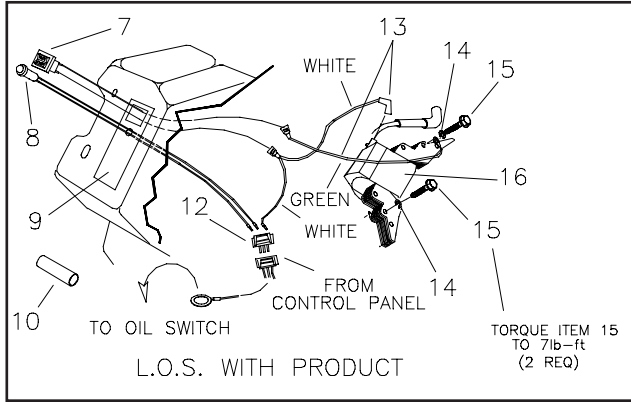


EXPLODED VIEW — OIL FILTER AND OPTIONAL OIL FILL TUBE



ITEM	PART #	QTY.	DESCRIPTION
2	86999	1	Oil Filter Gasket
3A	72709	1	Oil Blockoff
3B	94683	1	Oil Filter Adapter
4	49821	2	M8 X 30 SHCS
5	99236	1	Oil Press Switch
6	70185	1	Oil Filter

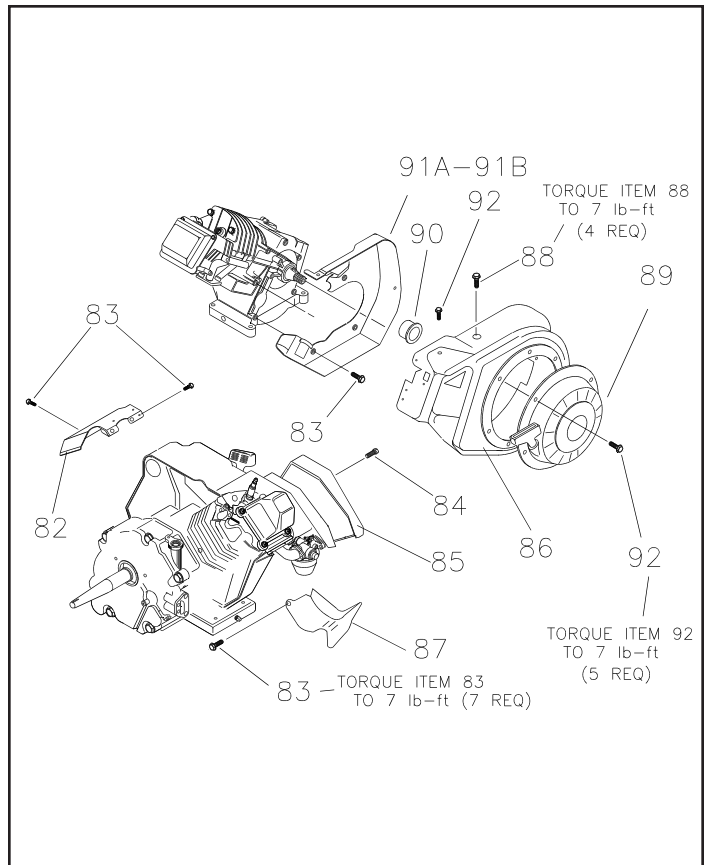
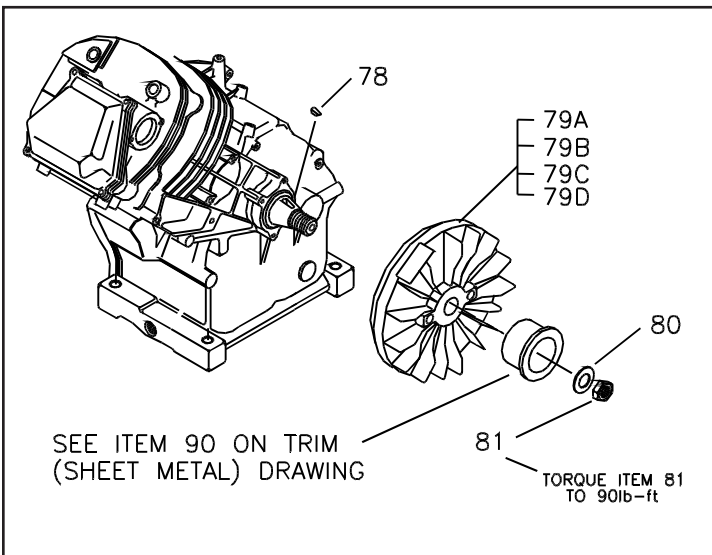
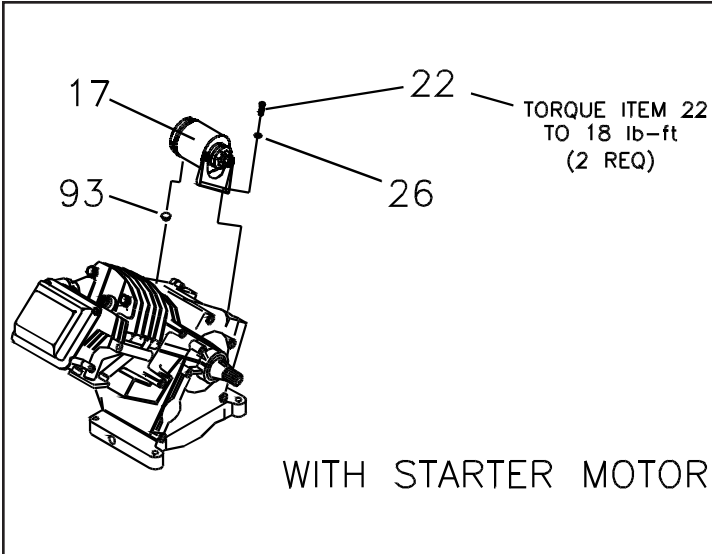
**EXPLODED VIEW — LOW OIL SHUTDOWN AND GOVERNOR**



ITEM	PART #	QTY.	DESCRIPTION
7	78653	1	Run/Stop Switch
8	85272	1	LED Assembly
9	93104	1	L.O.S. Decal
10	93611	1	Black Sleeving
12	84329	1	3 Pin Male HSG
13	92981	1	Wire Assembly
14	22097	2	M6 Lockwasher
15	92079	2	M6 X 30 Taptite
16	84542	1	Ignition Coil
18	87221B	1	L.O.S. Module
20	72347	1	Sparkplug

ITEM	PART #	QTY.	DESCRIPTION
21	72734	1	Governor Lever
23	83502	1	Adjust Screw
24	83512	2	M8 X 15 Taptite
25	73100	1	60Hz Gov. Spring
27	83503	1	M5 Lock Nut
28	73101	1	Governor Brkt.
29	72735	1	Governor Rod
30	72789	1	Anti-Lash Spring
101	83782	1	Idle Coil ASM
102	66311	1	M8 — 1.25 Jam Nut

**EXPLODED VIEW — STEPPER MOTOR, FLYWHEEL, RECOIL STARTER**



ITEM	PART #	QTY.	DESCRIPTION
17	21544	1	Starter Motor Assm.
22	40976	2	SHCS M8 — 1.25 X 20
26	22129	2	Lock Washer M8
78	82774	1	Woodruff Key
79A	SRV77147A	1	360 Flywheel
79B	SRV91222B	1	320/360 Flywheel Ring Gear
79C	SRV91222C	1	410 Flywheel Ring Gear
79D	SRV21745G	1	410 Flywheel
80	67198N	1	Conical Washer

ITEM	PART #	QTY.	DESCRIPTION
81	67890	1	M20 Hex Nut
82	88433	1	Top Wrapper
83	45756	7	M6 X 10 Taptite
84	78609	2	Cover Bolts
85	73104B	1	Air Box Cover
86	92437	1	Blower Housing
87	88434	1	Lower Wrapper
88	66476	4	M6 X 12 HHCS
89	96195	1	Recoil Assembly
90	96196	1	Recoil Cup
91A	73116C	1	Backplate
91B	73116A	1	Backplate, E. SRT
92	81668	5	M6 X 10 HHCS
93	B2160	1	Rubber Spacer