



# SH 6500

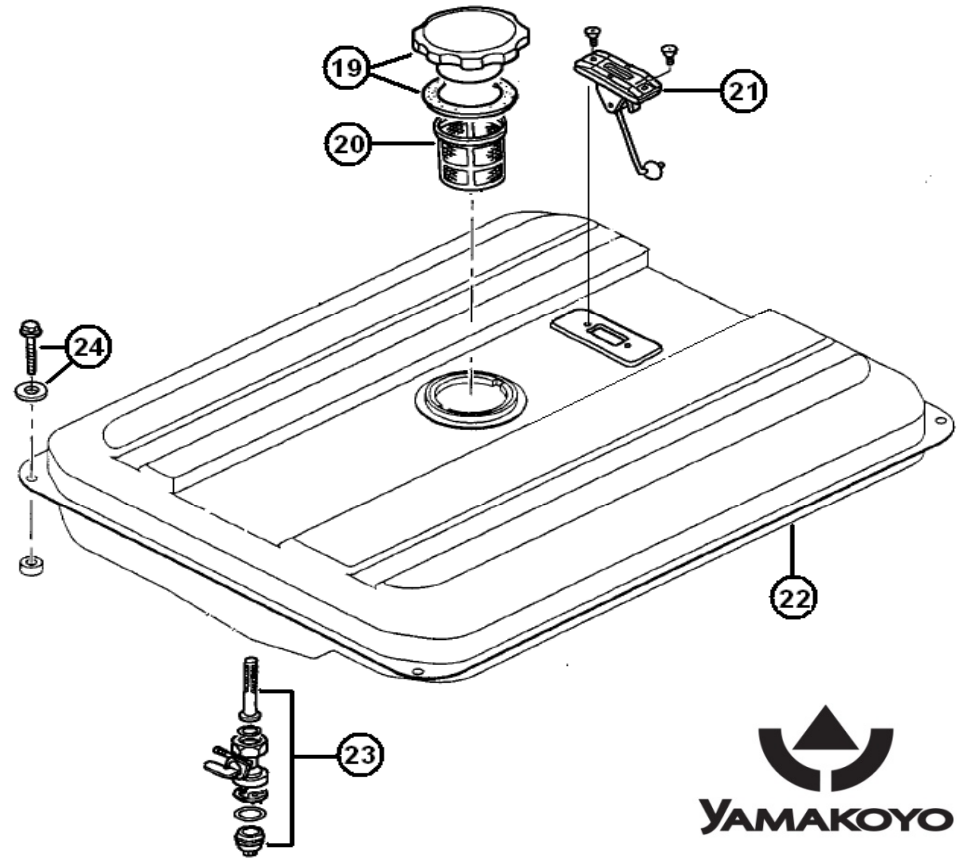
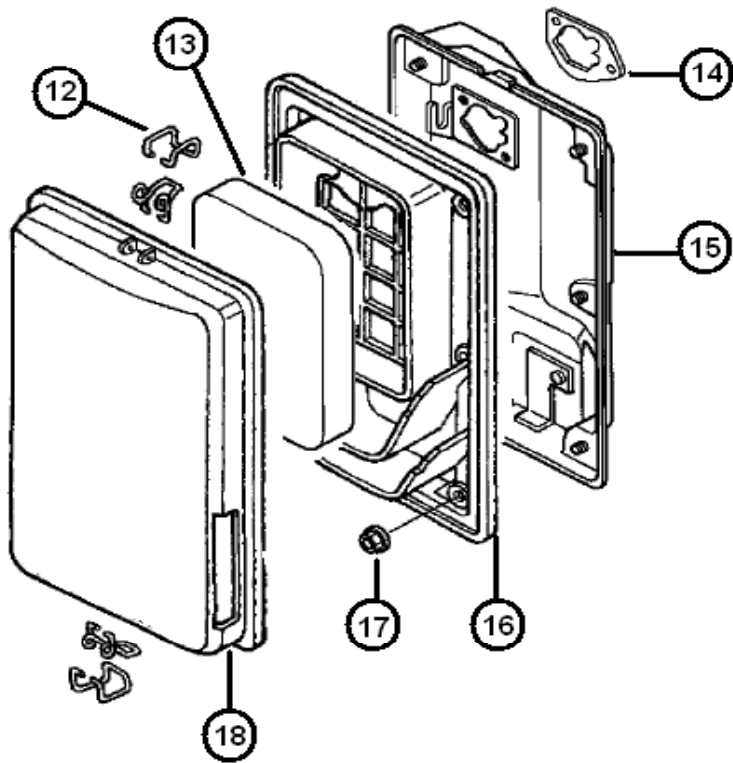


## SH 6500

| No. | P/N    | Description          | Qty | No. | P/N         | Description         | Qty | No. | P/N    | Description               | Qty |
|-----|--------|----------------------|-----|-----|-------------|---------------------|-----|-----|--------|---------------------------|-----|
| 1   | 68-101 | Fuel Tank Assy       | 1   | 6   | 68-707      | Tire Assy           | 2   | 11  | 68-111 | Choke Assy.               | 1   |
| 2   | 68-187 | Complete Panel Assy. | 1   | 7   | 68-107      | Locking Nut Kit     | 2   |     | 68-177 | Leveler Bumper            | 2   |
| 3   | 68-103 | Handle               | 2   | 8   | 68-108      | Frame Assy          | 1   |     | 68-708 | Complete Wheel Kit Assy.  | 1   |
| 4   | 68-104 | Dry Cell Battery     | 1   | 9   | YK 13.5 EVG | Yamakoyo Engine     | 1   |     | 68-179 | Battery Cables Kit        | 1   |
| 5   | 68-105 | Stand Leveler Kit    | 2   | 10  | 68-110      | Air Filter Kit Assy | 1   |     | 68-180 | Genset Shock Absorber Kit | 4   |

Technical Support:  
1-866-852-6872  
www.kbnusa.com

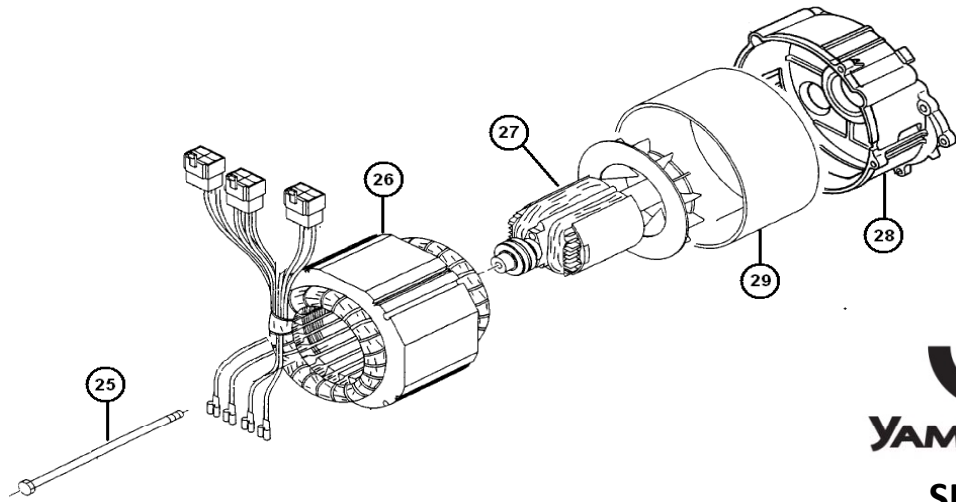
©Yamakoyo Machinery Co., Ltd.  
Rev. 0111



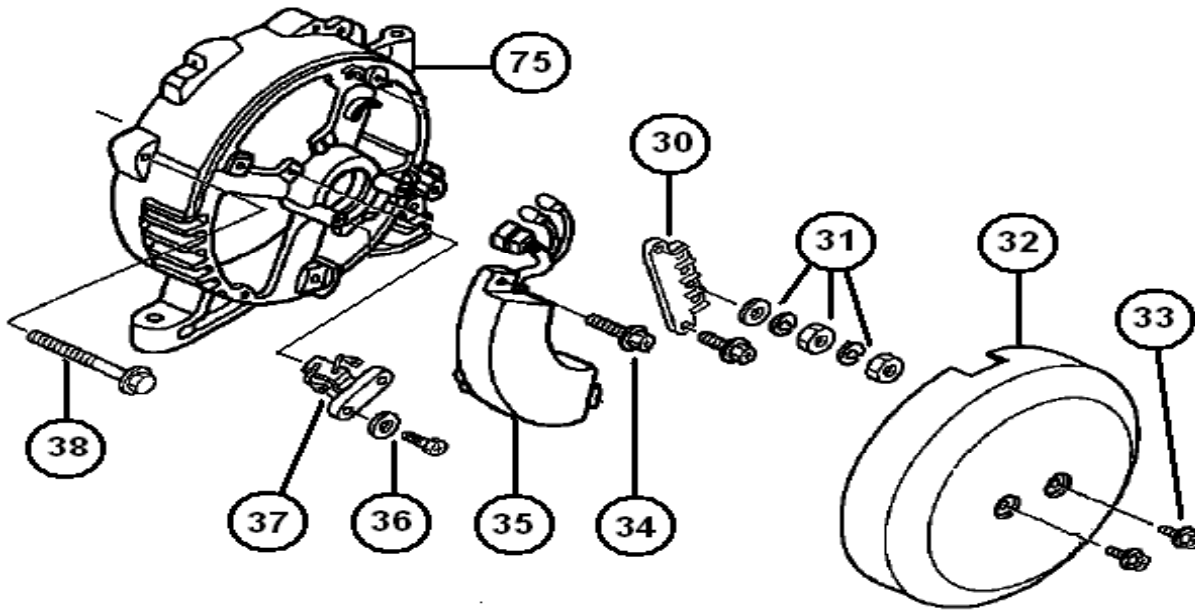
  
**YAMAKOYO**  
**SH 6500**

| <b>SH 6500</b>              |        |                            |     |                             |        |                   |     |                       |        |                         |     |
|-----------------------------|--------|----------------------------|-----|-----------------------------|--------|-------------------|-----|-----------------------|--------|-------------------------|-----|
| No.                         | P/N    | Description                | Qty | No.                         | P/N    | Description       | Qty | No.                   | P/N    | Description             | Qty |
| <b>Air Cleaner Assembly</b> |        |                            |     | <b>Air Cleaner Assembly</b> |        |                   |     | <b>Fuel Tank Assy</b> |        |                         |     |
| 12                          | 68-112 | Air Cleaner Cover Clip Kit | 2   | 17                          | 68-117 | Nut               | 4   | 21                    | 68-121 | Fuel Gauge Kit          | 1   |
| 13                          | 68-113 | Element Air Cleaner        | 1   | 18                          | 68-118 | Air Cleaner Cover | 1   | 22                    | 68-122 | Fuel Tank Only          | 1   |
| 14                          | 68-114 | Gasket, Air Cleaner        | 1   | <b>Fuel Tank Assy</b>       |        |                   |     | 23                    | 68-123 | Fuel Shut Off Valve     | 1   |
| 15                          | 68-115 | Air Cleaner Back Cover     | 1   | 19                          | 68-119 | Fuel Cap Kit      | 1   | 24                    | 68-124 | Mounting Kit, Fuel Tank | 1   |
| 16                          | 68-116 | Air Cleaner Housing        | 1   | 20                          | 68-120 | Fuel Strainer     | 1   |                       |        |                         |     |

# SH 6500

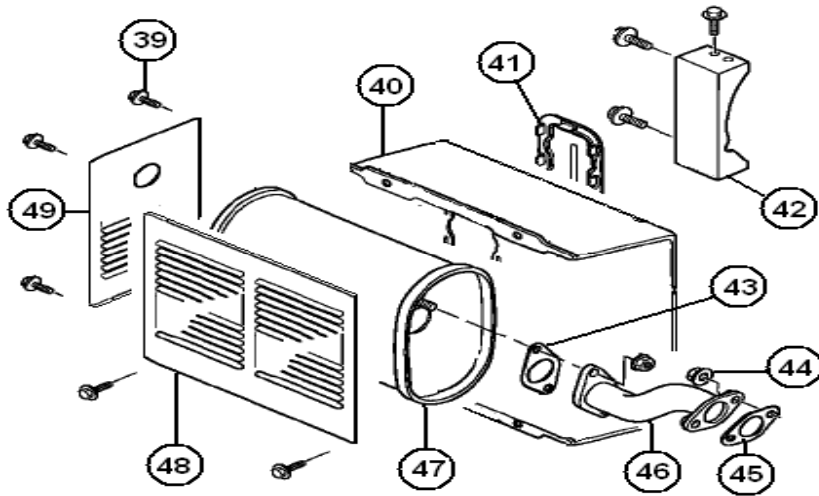


| No. | P/N    | Description            | Qty |
|-----|--------|------------------------|-----|
| 25  | 68-125 | Center Bolt, Rotor     | 1   |
| 26  | 68-182 | Stator Assy.           | 1   |
| 27  | 68-183 | Rotor Assy.            | 1   |
| 28  | 68-128 | Crank Case Cover Assy. | 1   |
| 29  | 68-129 | Cover, Stator          | 1   |
|     |        |                        |     |
|     |        |                        |     |
|     |        |                        |     |
|     |        |                        |     |
|     |        |                        |     |
|     |        |                        |     |
|     |        |                        |     |
|     |        |                        |     |

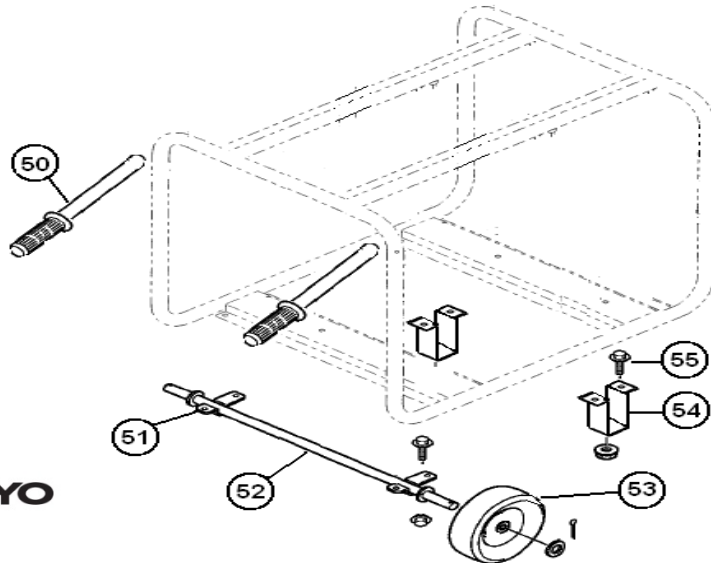


| No. | P/N    | Description             | Qty |
|-----|--------|-------------------------|-----|
| 30  | 68-130 | Terminal Block          | 1   |
| 31  | 68-131 | Nut Kit, Terminal Block | 1   |
| 32  | 68-132 | Cover, Alternator       | 1   |
| 33  | 68-133 | Cover Bolt              | 2   |
| 34  | 68-134 | Bolts                   | 4   |
| 35  | 68-184 | AVR Assy.               | 1   |
| 36  | 68-136 | Bolt Kit, Brush         | 1   |
| 37  | 68-137 | Carbon Brush Assy.      | 1   |
| 38  | 68-138 | Bolt, Mounting          | 4   |
| 75  | 68-175 | End Case, Rotor         | 1   |
|     |        |                         |     |
|     |        |                         |     |
|     |        |                         |     |
|     |        |                         |     |
|     |        |                         |     |
|     |        |                         |     |
|     |        |                         |     |
|     |        |                         |     |
|     |        |                         |     |

# SH 6500



| No. | P/N    | Description          | Qty |
|-----|--------|----------------------|-----|
| 39  | 68-139 | Bolts                | 12  |
| 40  | 68-140 | Muffler Side Cover   | 1   |
| 41  | 68-141 | Muffler Side Gasket  | 1   |
| 42  | 68-142 | Mounting Bracket     | 1   |
| 43  | 68-143 | Gasket, Muffler      | 1   |
| 44  | 68-144 | Nut                  | 4   |
| 45  | 68-145 | Gasket, Muffler Side | 1   |
| 46  | 68-146 | Pipe, Exhaust        | 1   |
| 47  | 68-147 | Muffler, Component   | 1   |
| 48  | 68-148 | Cover, Muffler Outer | 1   |
| 49  | 68-149 | Cover, Muffler Front | 1   |
|     |        |                      |     |
|     |        |                      |     |
|     |        |                      |     |



| No. | P/N    | Description             | Qty |
|-----|--------|-------------------------|-----|
| 50  | 68-103 | Handle                  | 2   |
| 51  | 68-151 | Mounting Bracket        | 2   |
| 52  | 68-152 | Axle                    | 1   |
| 53  | 68-707 | Tire Assy               | 2   |
| 54  | 68-154 | Stand Leveler           | 1   |
| 55  | 68-155 | Kit, Wheel Kit Hardware | 1   |
|     |        |                         |     |
|     |        |                         |     |
|     |        |                         |     |
|     |        |                         |     |
|     |        |                         |     |
|     |        |                         |     |
|     |        |                         |     |
|     |        |                         |     |
|     |        |                         |     |
|     |        |                         |     |

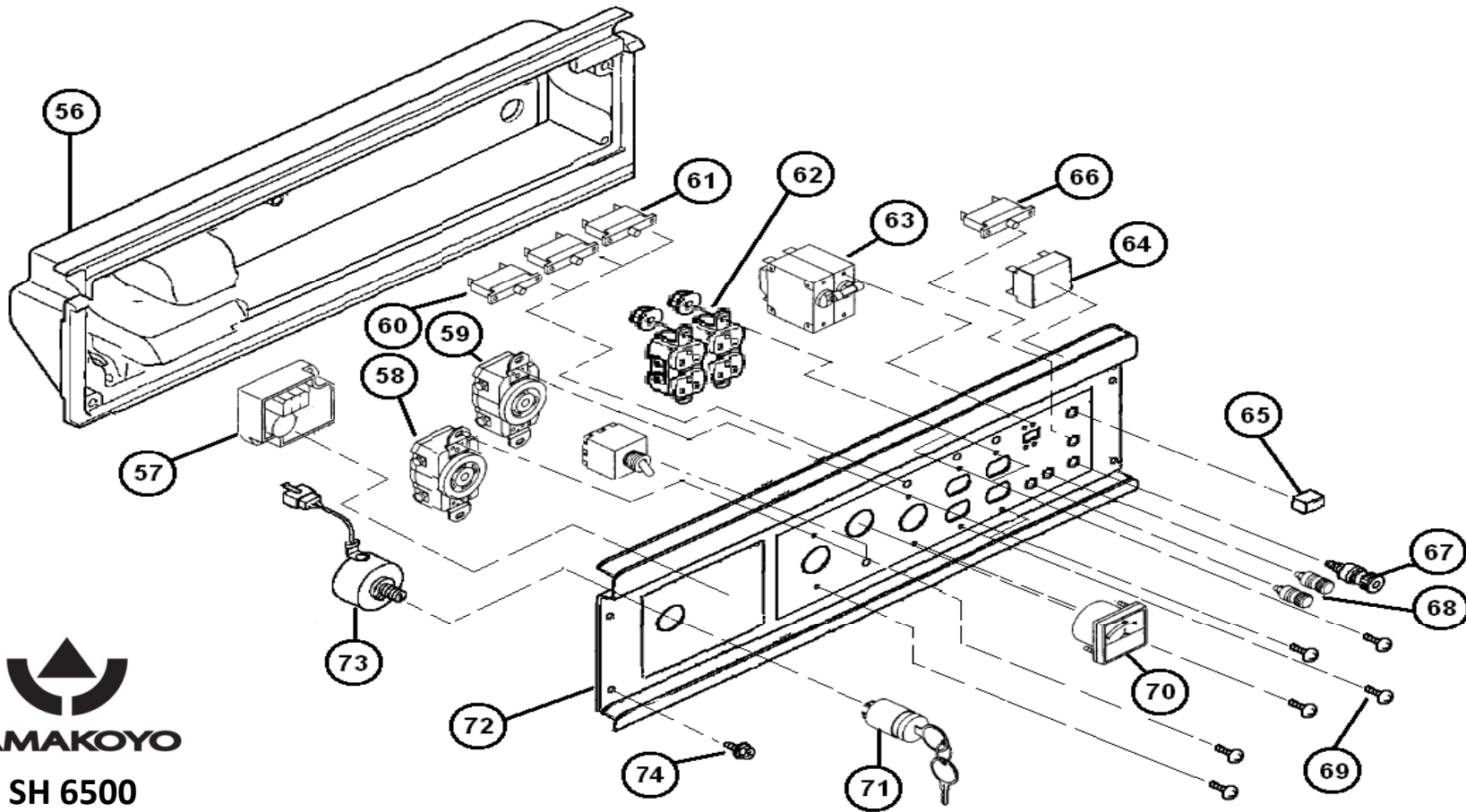


Technical Support:  
1-866-852-6872  
www.kbnusa.com

©Yamakoyo Machinery Co., Ltd.  
Rev. 0111



**YAMAKOYO**  
SH 6500



**SH 6500**

| No. | P/N    | Description                | Qty | No. | P/N    | Description          | Qty | No. | P/N    | Description         | Qty |
|-----|--------|----------------------------|-----|-----|--------|----------------------|-----|-----|--------|---------------------|-----|
| 56  | 68-156 | Back Cover, Panel          | 1   | 63  | 68-163 | Main Circuit Breaker | 1   | 70  | 68-170 | Voltmeter           | 1   |
| 57  | 68-157 | Diode Assy                 | 1   | 64  | 68-164 | Diode                | 1   | 71  | 68-171 | Key                 | 1   |
| 58  | 68-158 | Receptacle, 120/240 V      | 1   | 65  | 68-165 | Indicator Light      | 1   | 72  | 68-185 | Face Plate          | 1   |
| 59  | 68-159 | Receptacle, L5-30 A, 120 V | 1   | 66  | 68-166 | DC Circuit Protector | 1   | 73  | 68-173 | Ignition Key Switch | 1   |
| 60  | 68-160 | Circuit Breaker            | 1   | 67  | 68-167 | Grounding Pole       | 1   | 74  | 68-174 | Mounting Bolt       | 4   |
| 61  | 68-161 | Circuit Breaker            | 2   | 68  | 68-168 | DC Pole Red & Black  | 1   |     | 68-186 | Main Harness Assy   | 1   |
| 62  | 68-162 | Receptacle, 120 V          | 2   | 69  | 68-169 | Screw                | 12  |     |        |                     |     |

Technical Support:  
1-866-852-6872  
www.kbnusa.com

©Yamakoyo Machinery Co., Ltd.  
Rev. 0111