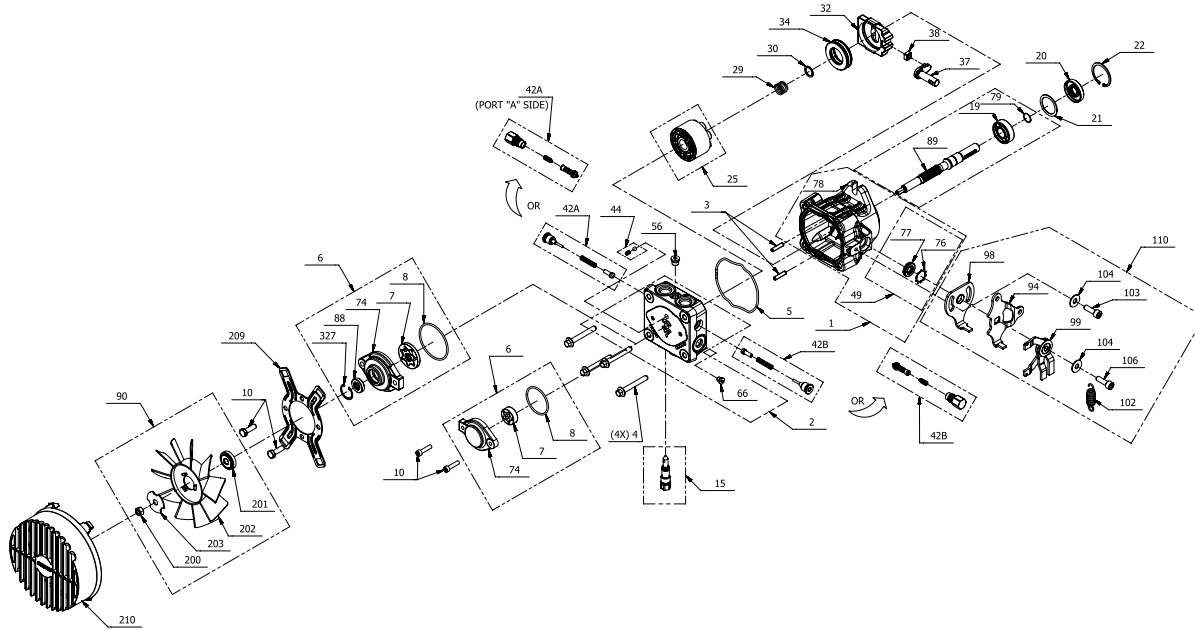


Service Schematic

NOTICE - PROPRIETARY INFORMATION: THIS SERVICE SCHEMATIC AND ITS CONTENTS ARE WHOLLY OWNED BY HYDRO-GEAR OF SULLIVAN, IL, AND MAY NOT BE USED, DISCLOSED, PUBLISHED OR REPRODUCED WITHOUT THE WRITTEN CONSENT OF HYDRO-GEAR.

PE SERVICE SCHEMATIC



P. 1 OF 4 71617 P11

Service Schematic

#	PART #	DESCRIPTION	QTY	Note
1	70516	KIT, HOUSING	1	
2	72014	KIT, ENDCAP, PE STD CHARGE	1	
3	50641	PIN .219 X 1.000	2	
4	50969	BOLT M8 X 1.25 HF	4	
5	54022	GASKET HOUSING	1	
6	2513027	KIT, CHG PUMP	1	
10	50975	SCREW M6 X 1 X 25	2	
15	2513030	KIT BYPASS VALVE	1	
18	70521	KIT, SHAFT, PUMP (15MM KEYWAY W/STD CHG)	1	
20	51161	SEAL 17 X 40 X 7 LIP	1	
21	50951	WASHER 1.23 X 1.57 X .04	1	
22	50329	RING RET 156 INT	1	
25	70331	KIT, BLOCK, 10CC CYLINDER	1	
29	2003014	SPRING, BLOCK	1	
30	2003017	WASHER .59 X .79 X .04 FLAT	1	
32	2003087	SWASHPLATE 10CC	1	
34	50551	BEARING 30X52X13 BALL THRUST	1	
37	2003005	ARM, TRUNNION, DOUBLE D	1	
38	2000015	SLOT GUIDE	1	
42A	70743	KIT, SHOCK VALVE 200 BAR (.031 ORIFICE)	1	
42B	70743	KIT, SHOCK VALVE 200 BAR (.031 ORIFICE)	1	
44	70402	KIT, CHARGE RELIEF	1	
49	2513043	KIT, BDP-10L SEAL	1	
56	9005110-4400	PLUG 7/16-20 METAL	1	
111	70525	KIT, OVERHAUL SEAL	1	