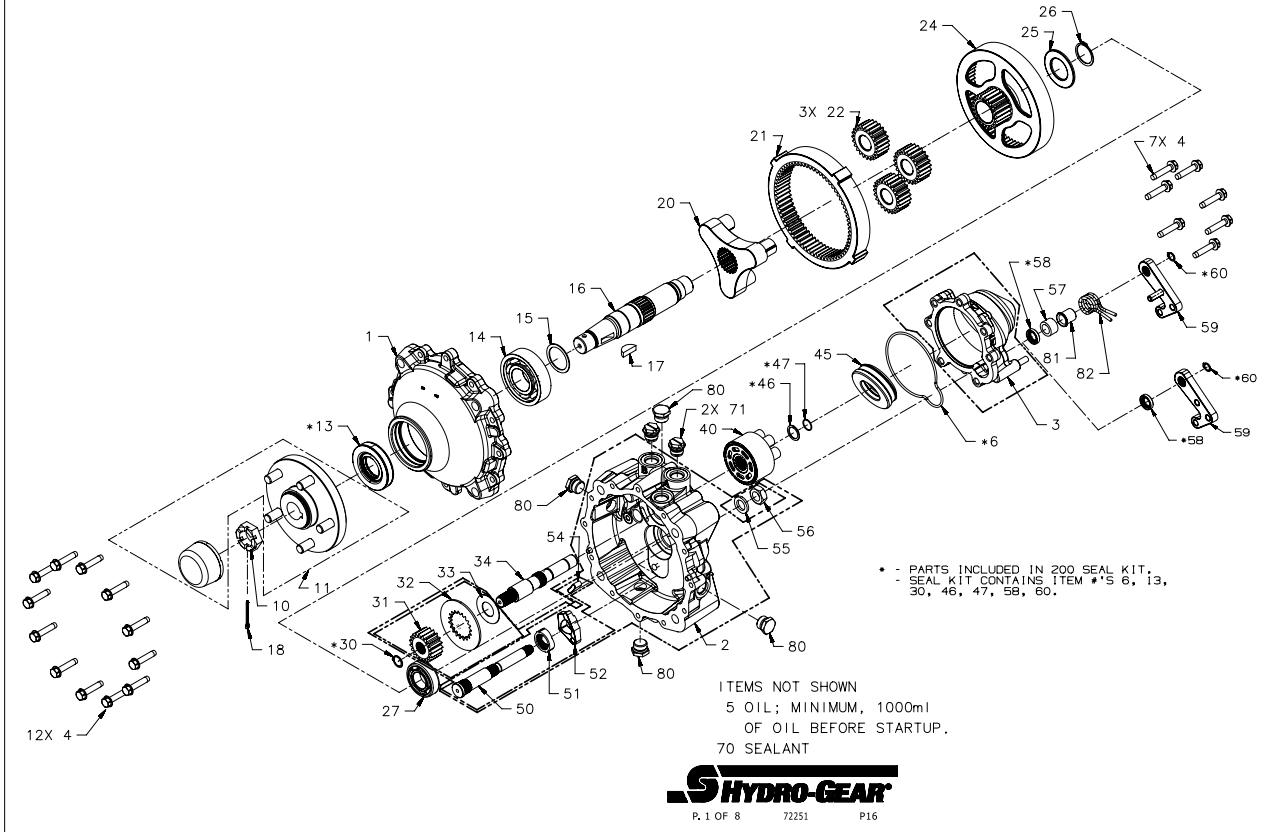


Service Schematic

NOTICE - PROPRIETARY INFORMATION: THIS SERVICE SCHEMATIC AND ITS CONTENTS ARE WHOLLY OWNED BY HYDRO-GEAR OF SULLIVAN, IL, AND MAY NOT BE USED, DISCLOSED, PUBLISHED OR REPRODUCED WITHOUT THE WRITTEN CONSENT OF HYDRO-GEAR.

HGM-H WHEEL MOTOR



Service Schematic

#	PART #	DESCRIPTION	QTY	Note
1	54347	HOUSING AXLE	1	
2	72247	KIT, MIDDLE HOUSING 16CC G BRAKE	1	
3	72248	KIT, MOTOR HOUSING 16CC G BRAKE	1	
4	53987	SCREW 5/16-18 X 1.5 HEX WASHER	19	
6	53716	O-RING, MOTOR HOUSING	1	
10	51821	NUT 1-20 HEX SLOTTED	1	
11	72102	KIT, HUB 5 BOLT	1	
13	53993	SEAL 1.375 X 2.75 X .500 LIP	1	
14	53007	BEARING 35X80X21 BALL 6307	1	
15	53006	WASHER 1.40 X 1.75 X .05	1	
16	53649	SHAFT AXLE	1	
17	51796	KEY 5/16 X 1 WOODRUFF	1	
18	51822	PIN 9/64 X 2 COTTER EXTENDED PRONG	1	
20	53001	CARRIER	1	
21	52998	GEAR, RING, 68T	1	
22	54483	GEAR, PLANET, 23T	3	
24	54274	GEAR, INTERNAL, 71T	1	
25	53004	SPACER, THRUST, AXLE, 1.31 X 2.50 X .13	1	
26	53003	RING RET 125 EXT	1	
27	53656	BEARING 25.4X52X15 BALL 6205R-1	1	
30	44145	RETAINING RING, MOTOR SHAFT	1	
32	72738	KIT, BRAKE ROTOR	1	
33	54712	WASHER .89 X 1.80 X .04	1	
34	53650	SHART, MOTOR	1	
40	72897	KIT,BLOCK 16cc CYLINDER	1	
45	52991	BEARING 35X70X21.6 THRUST	1	
46	2000024	WASHER .70 X .91 X .05	1	
47	2000022	RING RET 67 EXT WIRE	1	
50	53657	SHAFT, BRAKE	1	
51	53684	BRAKE, SPLI NED CAM	1	
52	53661	BRAKE, CAM PUCK	1	
54	53014	BRAKE PUCK	1	
55	53968	WASHER, FLAT .63 X 1.0 X .125	1	
56	50791	NUT HEX 5/8-18 PATCH	1	
57	53356	SPACER .57 X .86 X .53	1	
58	53015	SEAL .562 X .875 X .187 LIP	1	
59	72261	KIT, G BRAKE ARM ASSEMBLY	1	
60	53947	RETAINING RING, BRAKE HANDLE	1	
70	50928	SEALANT TUBE	1	
71	9005200-7500	PLUG 1/2 SHIPPING	2	
80	54974	PLUG, 3/4 - 16	4	
81	53908	SPACER, SPRING	1	
82	53898	SPRING, TORSION	1	
83	72740	KIT, BRAKE	1	
200	72246	KIT, HGM-H SEAL	1	