

GENERAC[®]

POWER SYSTEMS, INC.



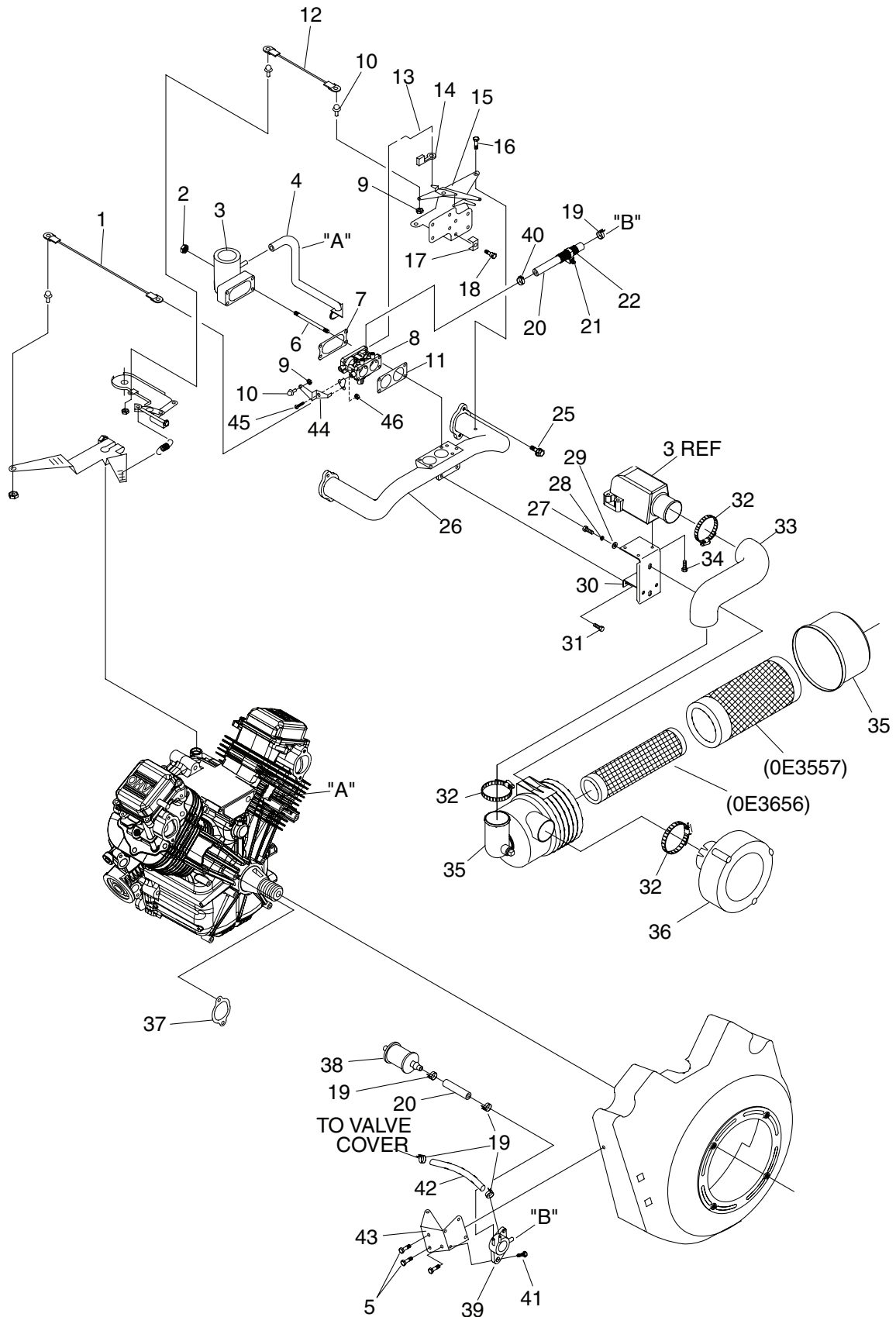
GTV760

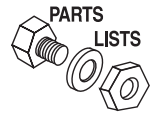
Engine Parts Manual

Model: 005463-0

Carburetor and Air Intake

Drawing 0F8402-F





Carburetor and Air Intake

Drawing 0F8402-F

ITEM	PART NO.	QTY.	DESCRIPTION
1	0D6257	1	ASSEMBLY, GOVERNOR ROD
2	0E8388	4	NUT, HEX FL WHIZ M6-1.0
3	0D3959A	1	ADAPTOR, CARB/AIRBOX
4	0F1316	1	HOSE, BREATHER
5	0C1085	2	SCREW, PPHM M3-0.5 X 8
6	0D6021	4	STUD, M6-1.0 X 8 CLEAR ZINC
7	0D4026	1	GASKET, CARBURETOR TO ADAPTOR
8	0F9338	1	CARBURETOR, TWO BARREL GTV-760
9	0D9784	2	NUT, LOCK M3-0.5
10	0D6342	2	BALL STUD
11	0G0510	1	GASKET, MANIFOLD TO CARBURETOR
12	0D9999	1	ASSEMBLY, IDLE SPEED ADJ. ROD
13	0D8559	1	ROD, CHOKE
14	0D1366	1	BUSHING, GOVERNOR ROD
15	0D7237	1	ASSEMBLY, BELLCRANK & BELDON BRACKET
16	0E5139	3	SCREW, HHFC M6-1.0 X 8
17	0E4190	4	CLAMP, 3/16" COATED CABLE
18	0F5579	4	SCREW, HHC W/SHOULDER M5-0.8 X 20
19	048031C	5	CLAMP, 1/4" HOSE RED
20	0F9176R	2	HOSE, 1/4" ID SAE30R7 SETIFLEX BARRIER 10"
21	029333A	1	TIE WRAP UL 7.4" X 0.19" BLACK
22	084409D	1	SLEEVING, FLEXP HW3/4 3"

ITEM	PART NO.	QTY.	DESCRIPTION
25	0G3730A	4	SCREW, SHC M8-1.25 x 30LG SEMS
26	0E3052	1	MANIFOLD, INTAKE GTV
27	042907	2	SCREW, HHC M8-1.25 X 16 LONG
28	022129	2	WASHER, LOCK M8-5/16
29	022145	2	WASHER, FLAT M8-5/16
30	0E2990	1	BRACKET, AIR CLEANER SUPPORT
31	0D6147	2	SCREW, HHC M6-1.0 X 10
32	0E1680	3	CLAMP, HOSE BAND #32 1.563-2.5
33	0E4326	1	HOSE, AIR CLEANER GTV990/760
34	0E1644	4	SCREW, BHSC M6-1.0 X 12
35	0F7642	1	CLEANER, AIR WITH MOUNTING BAND
36	0E4714	1	PRECLEANER AIR INTAKE
37	0C3043	2	GASKET, INTAKE PORT GT990
38	0F0106	1	FILTER, FUEL
39	See Note 1	1	PULSE, IMPULSE
40	0G3662A	1	CLAMP, HOSE OETIKER 14.5 DIA
41	0G0926	2	SCREW, HHFCS M6-1.0 X 16 G8.8
42	0F9176	.583ft	HOSE, 1/4" ID SAE30R7 SETIFLEX BARRIER 7"
43	0D6027A	1	BRACKET, FUEL PUMP M3-0.5 TAPPED
44	0D6311	1	BRACKET, THROTTLE
45	036933	1	SCREW, PPHM #10-32 X 3/8
46	0F4878	1	NUT, HEX FL WHIZ #10-32

◆ CARBURETOR OVERHAUL KIT — (SEE NOTE 2)	
QTY.	DESCRIPTION
1	GASKET, MANIFOLD TO CARB
1	GASKET, ARBX TO SPCR/CARB
1	"O"RING, FLOAT BOWL DRAIN
1	ASSY, NEEDLE VALVE
1	SPRING, NEEDLE
1	PIN, NEEDLE
1	"O"RING, FLOAT BOWL
1	GASKET, FLOAT BOWL
1	CARB BOWL FLOAT

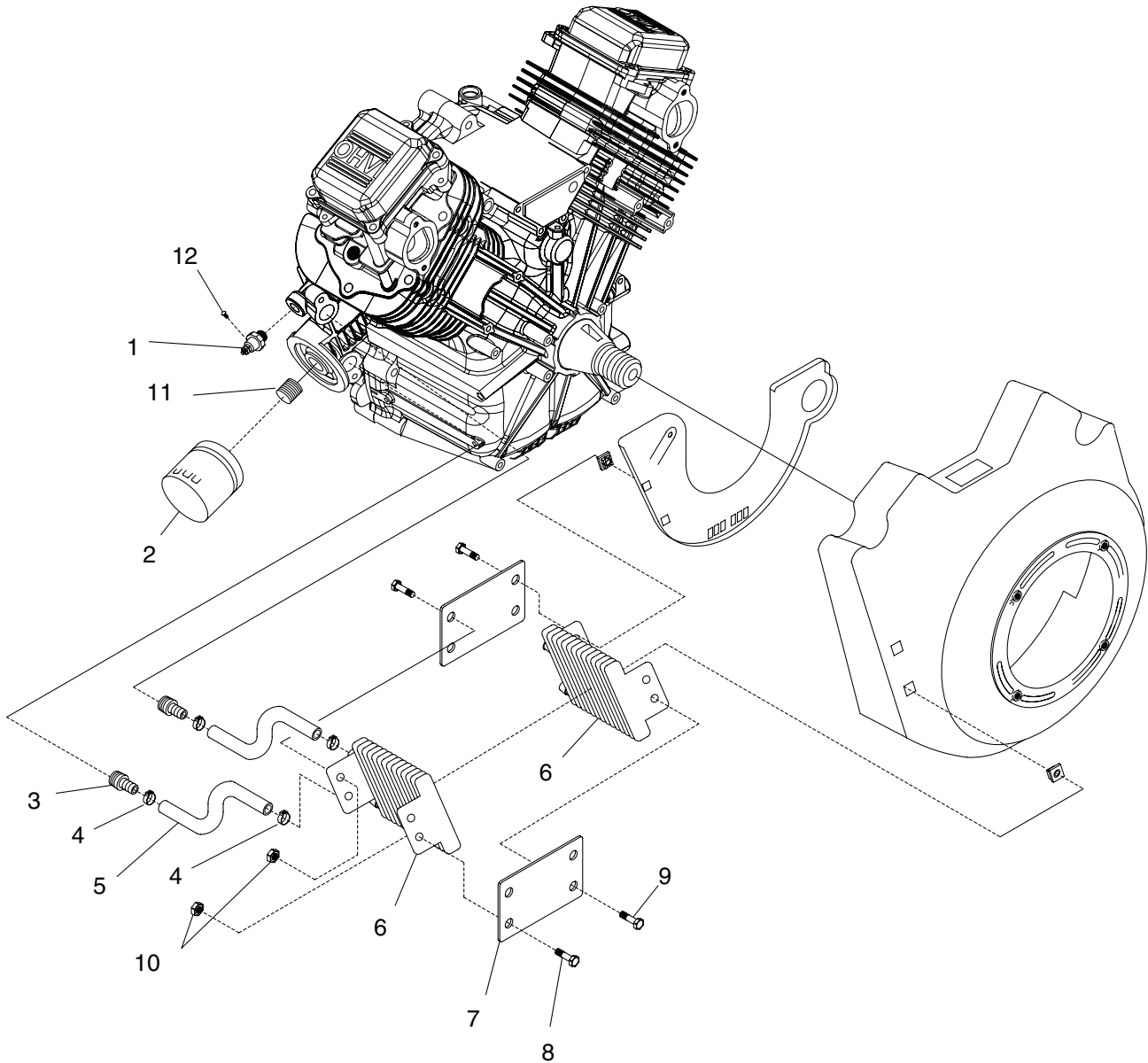
◆ CARBURETOR BOWL GASKET KIT — (SEE NOTE 3)	
QTY.	DESCRIPTION
1	"O"RING, FLOAT BOWL DRAIN
1	"O"RING, FLOAT BOWL
1	GASKET, FLOAT BOWL

◆ SOLENOID, FUEL SHUT OFF — (SEE NOTE 4)

- Note 1: Round Body Fuel Pump - order p/n 0F6263
 Square Body Fuel Pump - order p/n 0C4147
- Note 2: For Carburetor 0E4215 - order p/n 0G2009
 For Carburetor 0F9338 - order p/n 0F9124
- Note 3: For Carburetor 0E4215 - order p/n 0G2010
 For Carburetor 0F9338 - order p/n 0F9125
- Note 4: For Carburetor 0E4215 - order p/n 0F1932
 For Carburetor 0F9338 - order p/n 0E5551

Oil Filter and Oil Cooler

Drawing 0F8397A-C

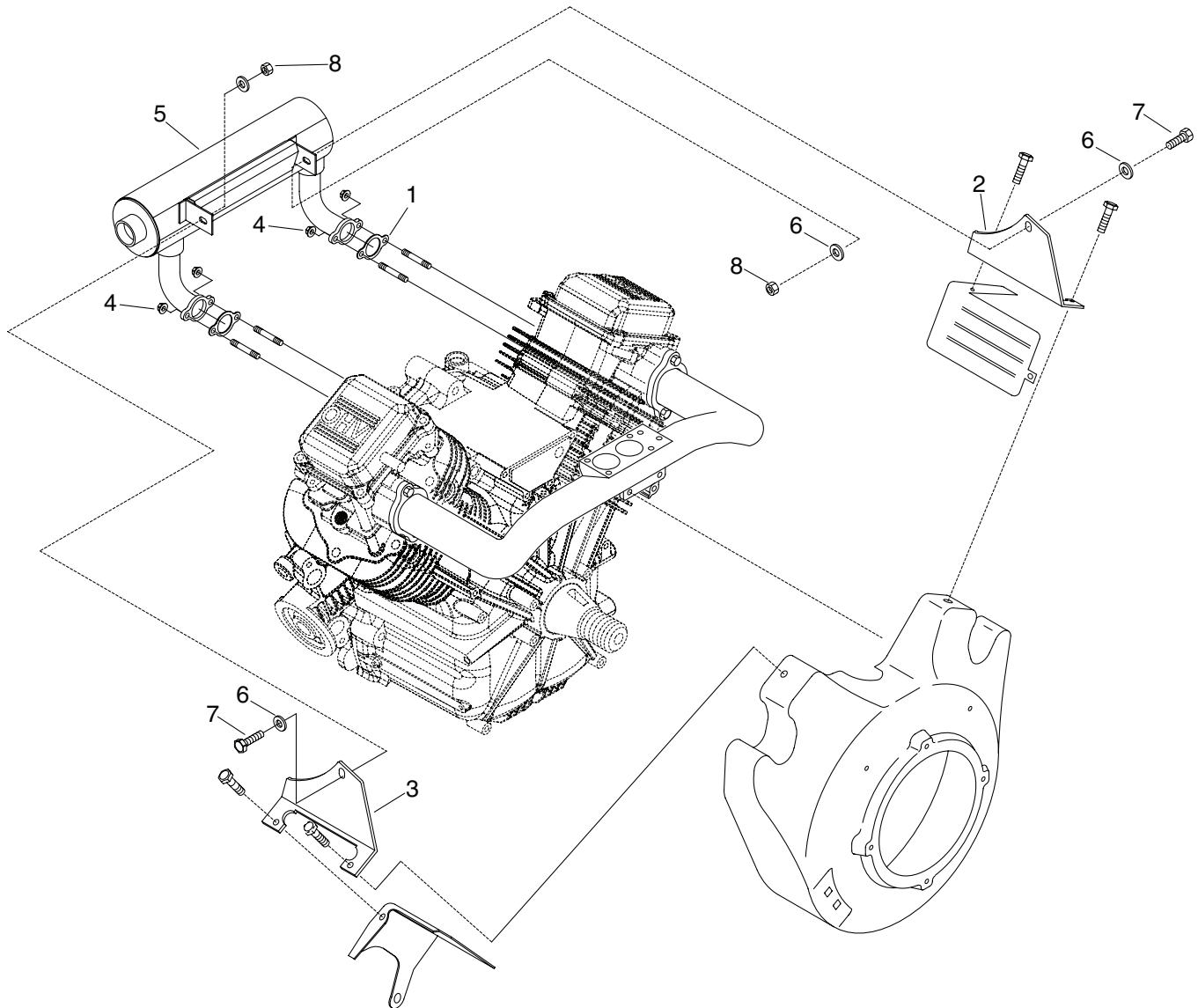


ITEM	PART NO.	QTY.	DESCRIPTION
1	0C3025	1	SWITCH, OIL PRESSURE NORMALLY CLOSED
2	070185D	1	OIL FILTER BLACK 75 LONG
3	035461	2	BARBED STR 1/4NPT X 3/8
4	0G3662	4	CLAMP, HOSE OETIKER STEPLESS 17mm
5	0G0290	2	HOSE, 3/8 ID X 6 1/2" LG SAE J30R9
6	0E9506	2	COOLER, OIL GT-990/760

ITEM	PART NO.	QTY.	DESCRIPTION
7	0F4952	2	SUPPORT, OIL COOLER DUAL GTV990
8	043116	4	SCREW, HHC M6-1.0 X 12mm G8
9	0C9764	4	SCREW, PLASTITE 1/4-15 X 3/4
10	0E8388	4	NUT, HEX FLANGE WHIZ M6-1.0 STEEL
11	0C7292	1	NIPPLE, 3/4"-16 UNF
12	036916	2	SCREW PPHM #8-32 X 1/4

Muffler

Drawing 0F8405

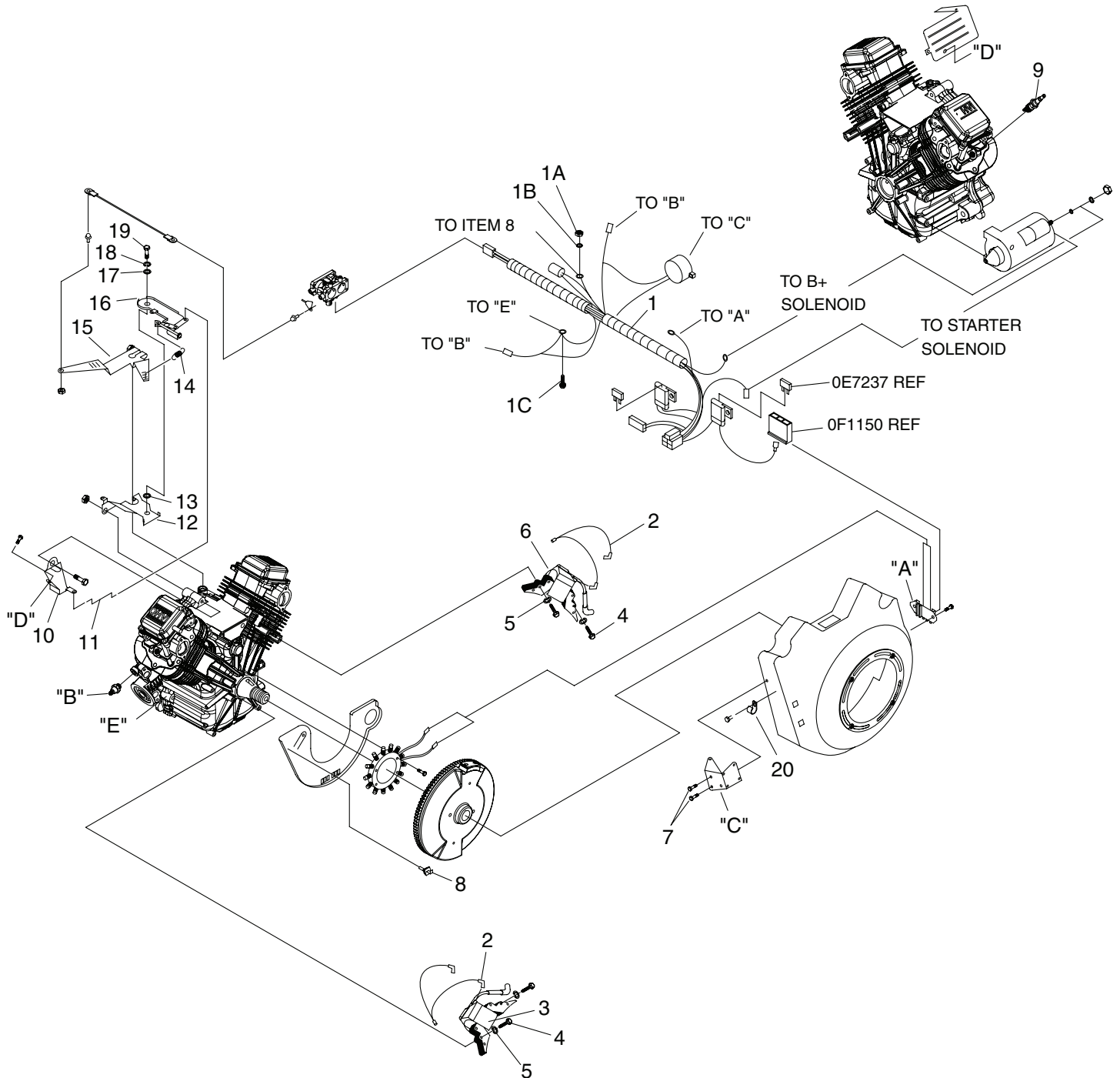


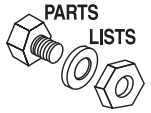
ITEM	PART NO.	QTY.	DESCRIPTION
1	0C4138	2	GASKET, EXHAUST PORT
2	0E3502A	1	SUPPORT, MUFFLER RH
3	0E3502B	1	SUPPORT, MUFFLER LH
4	0F0462	4	NUT, HEX W/TOOTH M8-5/16
5	0F8908A	1	MUFFLER, GTV990/760 LEFT SIDE

ITEM	PART NO.	QTY.	DESCRIPTION
6	022145	4	WASHER FLAT 5/16-M8 ZINC
7	039253	2	SCREW HHC M8-1.25 X 20 G8.8
8	067989	2	NUT, LOCK FL M8-1.25 YEL CHR

Governor & Electric

Drawing 0F8393-B





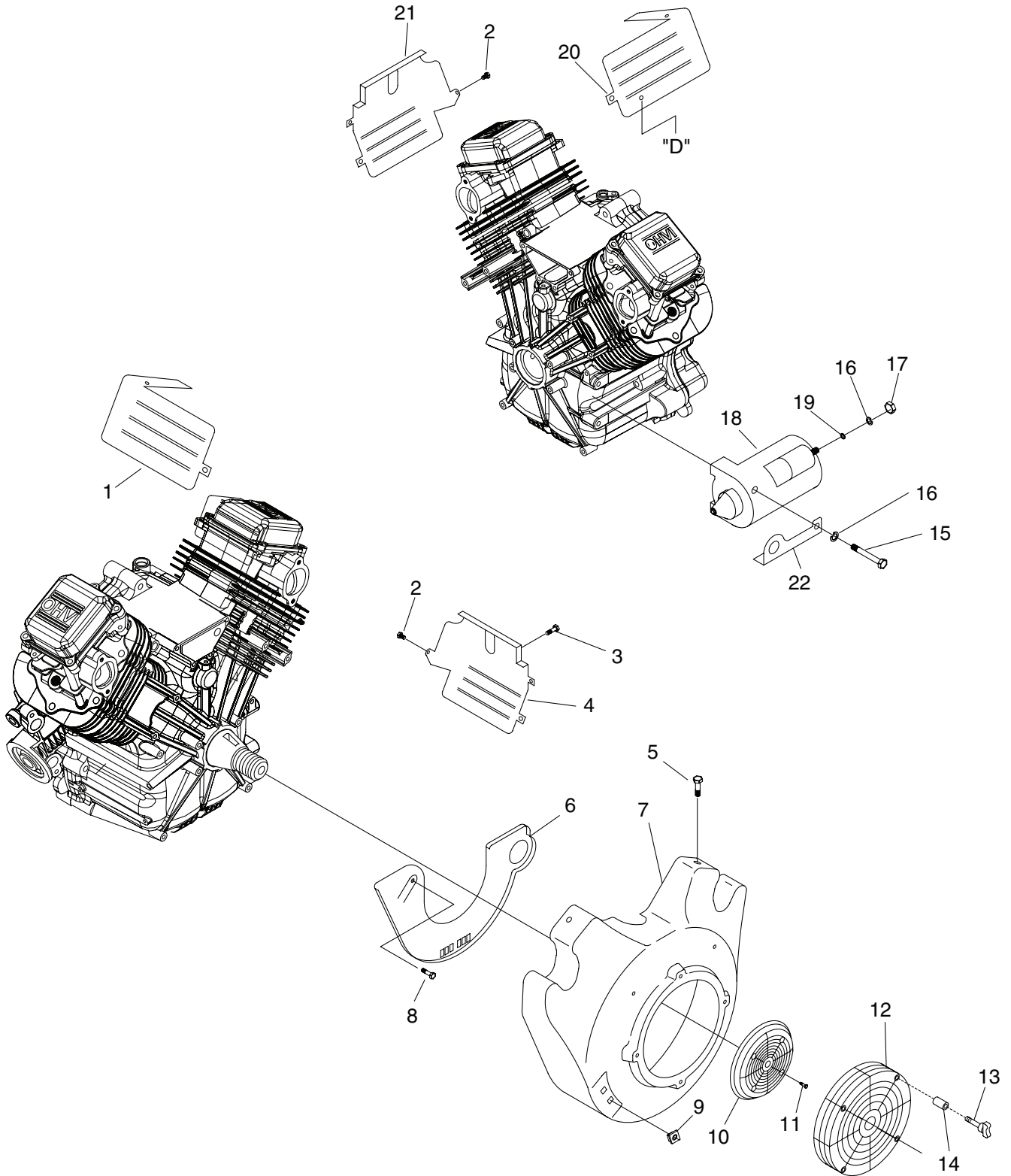
Governor & Electric

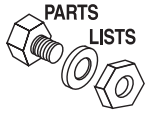
Drawing 0F8393-B

ITEM	PART NO.	QTY.	DESCRIPTION
1	0F4789	1	VS WIRE HARNESS ATC / ATO FUSE
1A	022471	1	NUT HEX #8-32
1B	022264	1	WASHER, LOCK #8-M4
1C	0F2094	1	SCREW, PPHM M3-0.5 X SEMS
2	0F1177	1	ASSEMBLY, GROUND WIRE
3	0G3224BSRV	1	ASSEMBLY, IGNITION COIL W/ DIODE NO ADV.
4	0G3110	4	M6-1.0 X 20
5	026850	4	WASHER, SHAKEPROOF, EXT 1/4 STL
6	0G3224ASRV	1	ASSEMBLY, IGNITION COIL W/ DIODE NO ADV.
7	0C1085	2	SCREW, PPHM M3-0.5 X 8 DEEP
8	0E4997	1	CONNECTOR, GROUND WIRE
9	0E6037A	2	SPARKPLUG
10	0E05530SRV	1	ASSEMBLY, IDLE SPEED SUPPORT BRACKET
11	0D9863	1	ROD, IDLE SPEED ADJUSTMENT
12	0D3868	1	BRACKET, SUPPORT GOVERNOR ADJUST
13	0E5113	1	WASHER, NYLON 0.375" ID
14	0E1150	1	SPRING, GOVERNOR
15	0E0552	1	ASSEMBLY, GOVERNOR LEVER
16	0D9884	1	ASSEMBLY, IDLE SPEED ADJ. W/GROMMET
17	0D3876	1	WASHER, FLAT M5
18	049226	1	WASHER, LOCK M5
19	0E9210	1	SCREW, HHC M5-0.8 X 12 W/ NYLON
20	082121A	3	CLIP, J VINYL COAT 0.375 ID

Starter and Trim

Drawing 0F8406A-D





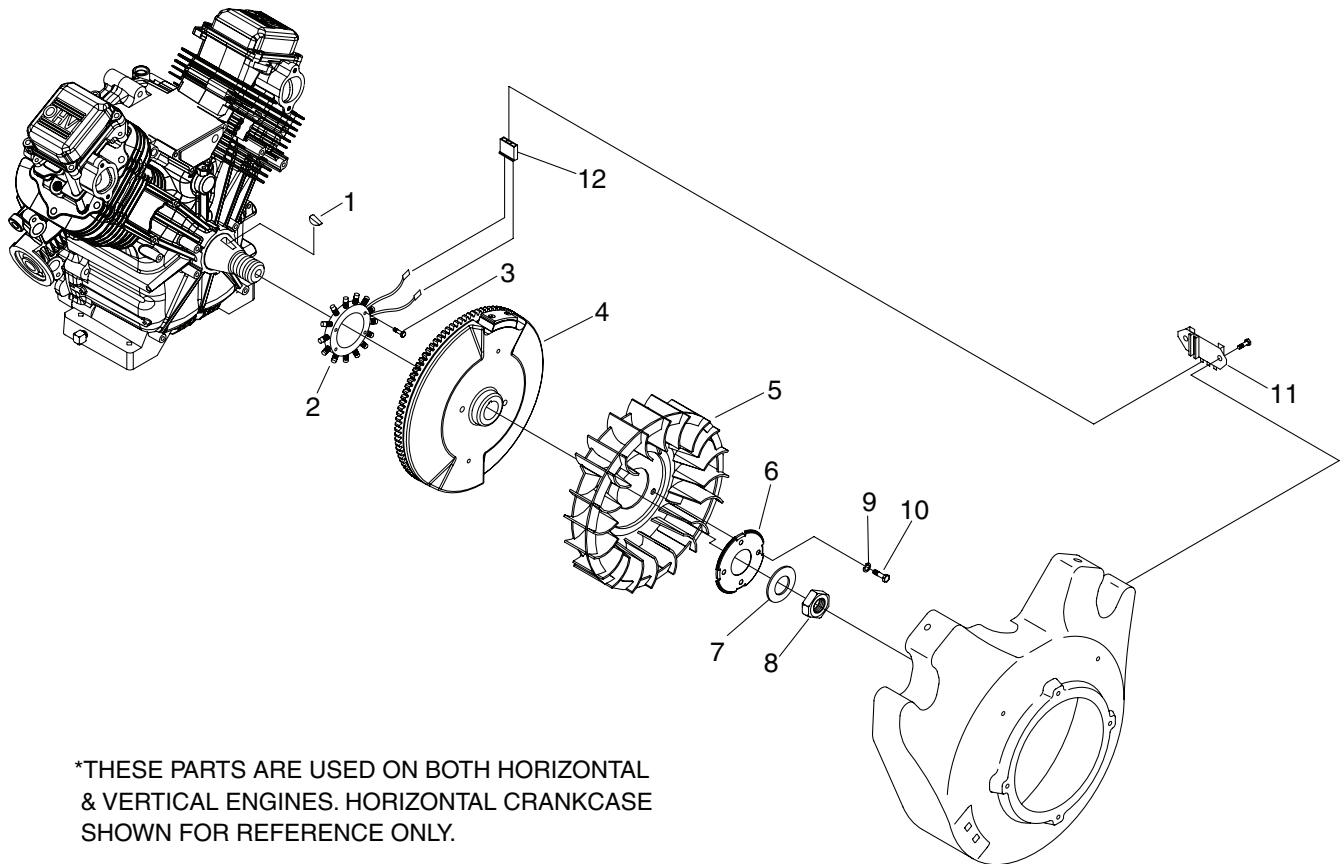
Starter and Trim

Drawing 0F8406A-D

ITEM	PART NO.	QTY.	DESCRIPTION
1	0C3018	1	WRAPPER, UPPER CYLINDER #1
2	0D6147	2	SCREW, HHFC M6-1.0 X 10mm
3	0E6043	2	SCREW, THTT M5-0.8 X 8 ZP
4	0C3019	1	WRAPPER, LOWER CYLINDER #1
5	0C8566	4	SCREW. HHFC M6-1.0 X 20 G8.8
6	0G4928C	1	PLATE, BACKING W / REG. CUTOOUT ZINC
7	0F1169E	1	HOUSING, BLOWER VERTICAL GASOLINE
8	090388	16	SCREW, HHTT M6-1.0 X 12 CLEAR ZINC
9	0C9763	4	NUT, GROMMET ¼ PLUG
10	0D9684A	1	SCREEN, ROTATING
11	0D7115	4	SCREW, #10 SHEET METAL
12	0D7815A	1	ASSY, ROTATING SCREEN GUARD
13	0C5136	4	KNOB, AIR CLEANER
14	0E3146	4	SPACER, ROTATING SCREEN GUARD
15	061906	2	SCREW, HHC M8-1.25 X 85 G8.8
16	022129	3	WASHER, LOCK M8-5/16
17	0F5467	1	NUT, HEX M8-1.25 YELLOW CHR
18	0E42710ESV	1	STARTER
19	022145	1	WASHER, FLAT M8-5/16
20	0D1143	1	WRAPPER, UPPER CYLINDER #2
21	0D1142A	1	WRAPPER, LOWER CYLINDER #2
22	0D6026	1	LIFT HOOK-STARTER

Flywheel

Drawing 0F8394



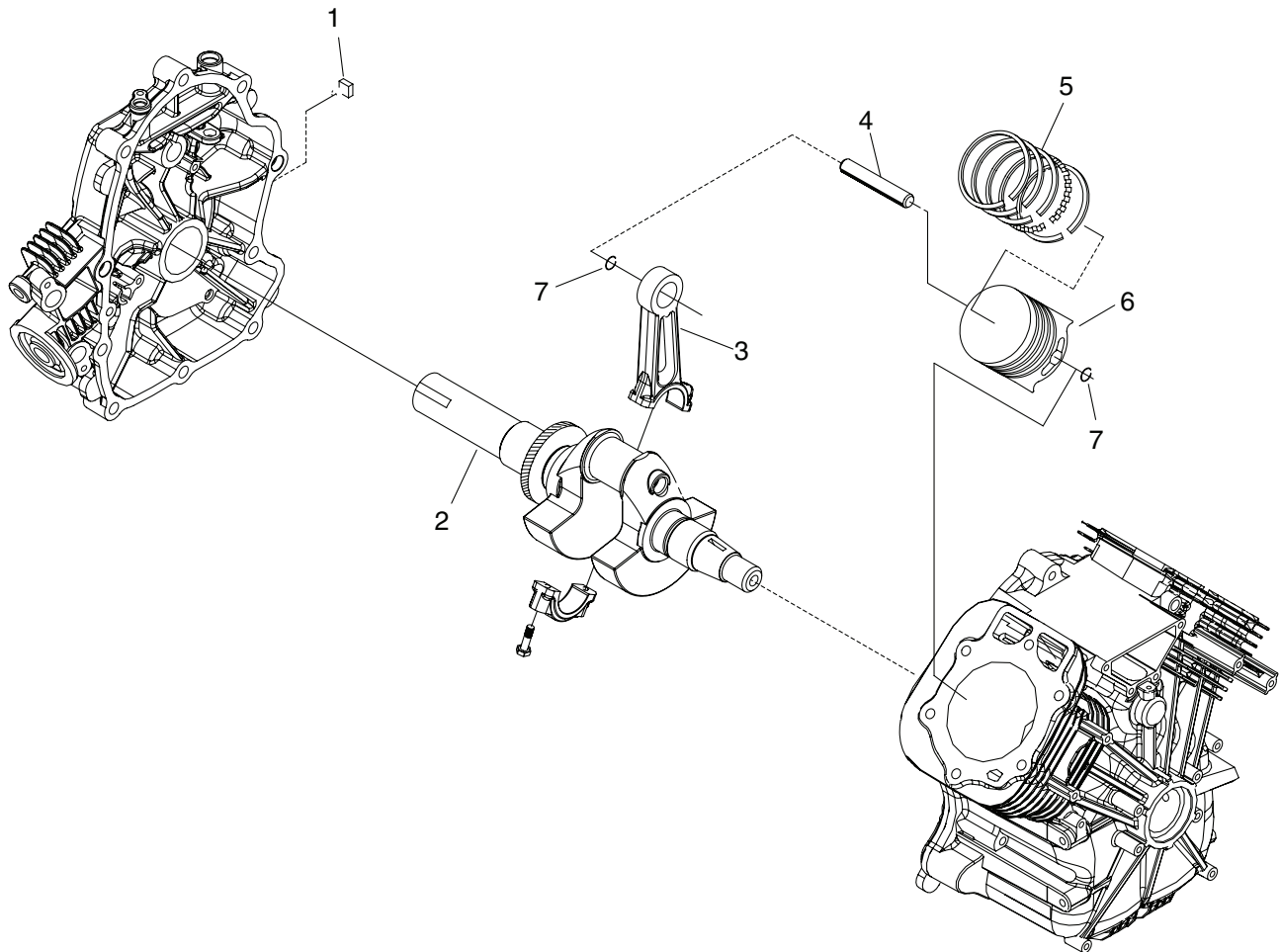
*THESE PARTS ARE USED ON BOTH HORIZONTAL & VERTICAL ENGINES. HORIZONTAL CRANKCASE SHOWN FOR REFERENCE ONLY.

ITEM	PART NO.	QTY.	DESCRIPTION
1	082774	1	KEY, WOODRUFF 4 X 19D
2	0F1153B	1	STATOR, OUTLINE W/LUGS-14.25"
3	092079	4	SCREW, HHTT M6-1.0 X 25 BP
4	0C91820SRV	1	ASSEMBLY, FLYWHEEL W/LC MAG FRNT PTO
5	0C3031	1	FAN, FLYWHEEL NYLON
6	0C3032	1	PLATE, FAN GTH990
7	0C3033	1	WASHER, M24

ITEM	PART NO.	QTY.	DESCRIPTION
8	0C3034	1	NUT, HEX M24
9	0A5992	4	WASHER, SHAKEPROOF INT M8 SS
10	048571	2	SCREW, HHC M8-1.25 X 10 G8.8
11	0A2702	1	REGULATOR, VOLTAGE (20A)
12	0F1150	1	HOUSING, CONN PACKARD 56 SERIES

Long Block - Specific

Drawing 0F8343D-C



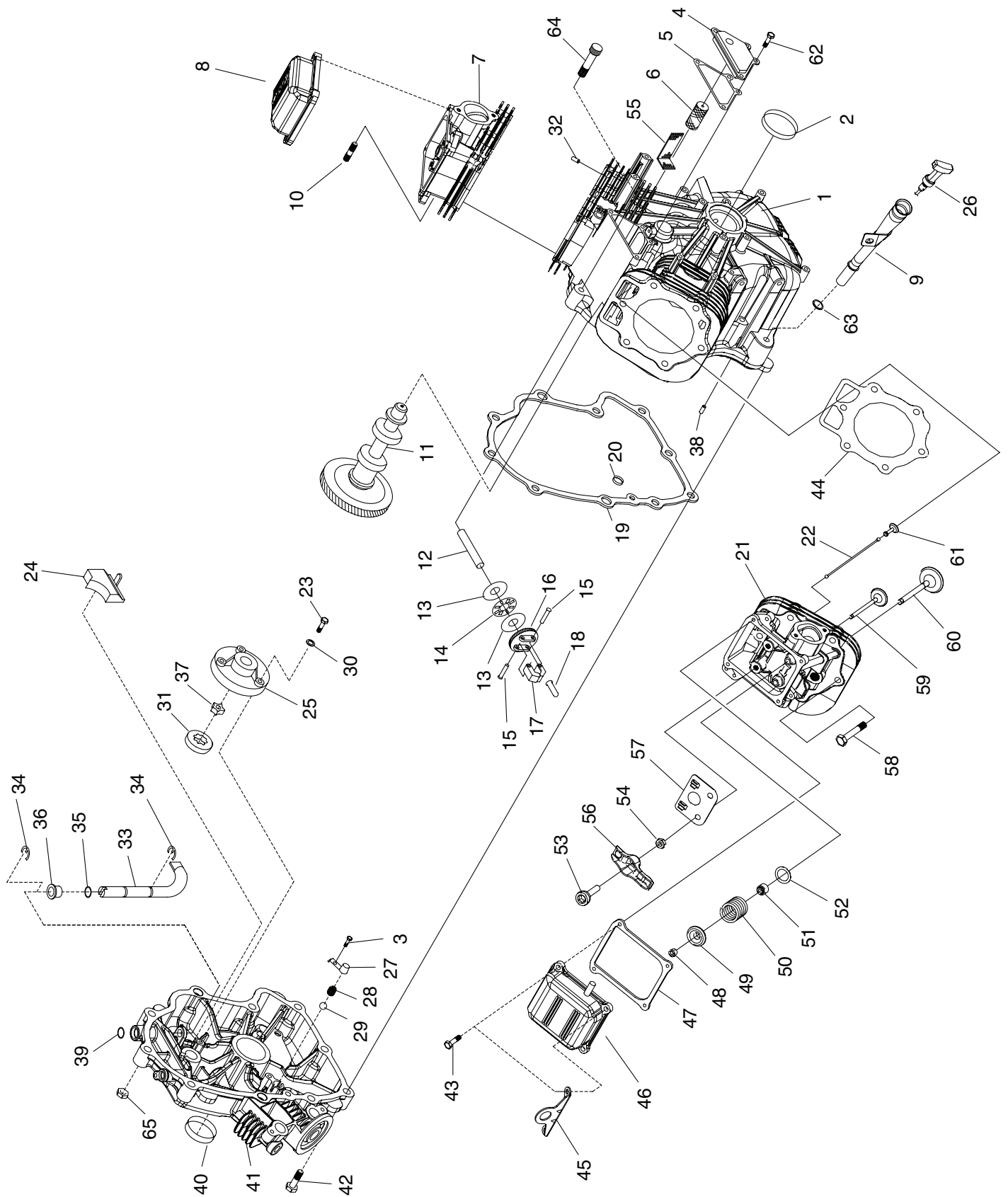
ITEM	PART NO.	QTY.	DESCRIPTION
1	0D4788	1	PLUG, STD PIPE 3/8 NPT STEEL
2	0E4356J	1	ASSEMBLY, CRANKSHAFT GTV-760 L&G 1-1/8"
3	0E3222	2	ASSEMBLY, CONNECTING ROD GT-760

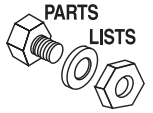
ITEM	PART NO.	QTY.	DESCRIPTION
4*	0E1466	2	PIN, PISTON 20 DIA X 48 LONG
5*	0G25650SRV	2	RING SET, PISTON DIA 90
6*	0G2751	2	PISTON, FLAT TOP DIA 90 COATED
7*	071983	4	RETAINER, PISTON PIN 20

* For a complete kit, see pages 14-15 of manual

Long Block - Common

Drawing 0F8343





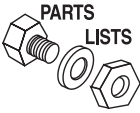
Long Block - Common

Drawing 0F8343

ITEM	PART NO.	QTY.	DESCRIPTION
1	0C5730BSRV	1	ASSY,CRANKCASE VS W/ SLEEVE
2	0E9843A	1	SEAL, 38 I.D. CRANKSHAFT
3	090388	2	SCREW, HHTT M6-1.0 X 12 YC
4	0C5372	1	ASSEMBLY, BREATHER
5	0C3005	1	GASKET, BREATHER COVER
6	0E3372A	1	SEPARATOR, OIL BREATHER GTV
7	0D8067A	1	ASSEMBLY, HEAD #1
8	0C2981F	1	COVER, ROCKER NO OIL FILL
9	0D6655	1	ASSEMBLY, OIL CHECK AND FILL GTV
10	045761A	4	STUD M8-1.25/10MM X 30 G5 ZINC
11	0D40410SRV	1	ASSEMBLY, CAMSHAFT & GEAR
12	0C2983	1	SHAFT, GOVERNOR
13	0C2985A	2	ROLLER BEARING, GOVERNOR PLATE
14	0C2985B	1	ROLLER BEARING, GOVERNOR
15	0C2989	2	PIN, GOVERNOR FLYWEIGHT
16	0C2987	1	GEAR, GOVERNOR
17	0D4190	2	FLYWEIGHT, GOVERNOR (LIGHT)
18	0A7811	1	SPOOL, GOVERNOR MACHINED
19	0C2977	1	GASKET, CRANK CASE
20	0C5943	1	SEAL, OIL PASSAGE
21	0D8067B	1	ASSEMBLY, HEAD #2
22	0D9853D	4	PUSHROD, 147
23	021374	3	SCREW SHC M6-1.0 X 30 G8.8
24	0C2994	1	SCREEN, OIL PICKUP
25	0C2997	1	COVER, GEROTOR
26	0E7887A	1	ASSEMBLY, FLAT DIPSTICK GTV990 L&G
27	0C3011	2	COVER, OIL RELIEF
28	0C3009	2	SPRING, OIL RELIEF
29	0C3010	2	BALL, 1/2D OIL RELIEF
30	093873	3	WASHER, LOCK RIB M6
31	0C2996	1	GEROTOR, OUTER
32	078699B	4	SLEEVE DOWEL PIN 12 DIA.

ITEM	PART NO.	QTY.	DESCRIPTION
33	0D1667	1	ARM, GOVERNOR
34	0C2991	2	E-R ING, GOVERNOR ARM
35	0C2988	1	THRUST WASHER, GOVERNOR
36	0C2992	1	BUSHING, GOVERNOR LOWER
37	0C2995	1	GEROTOR, INNER
38	078699C	2	SLEEVE DOWEL PIN DIA. 14
39	0C2993	1	SEAL, GOVERNOR SHAFT
40	0E9842A	1	SEAL, 42 I.D. CRANKSHAFT
41	0C57320SRV	1	ASSEMBLY, SUMP WITH SLEEVE
42	0C3006	9	SCREW, HHFC M10-1.5 X 55
43	080318	8	SCREW HHFC M6-1.0 X 25
44	0C2978	2	GASKET, HEAD
45	0C8808	1	HOOK, LIFTING
46	0D7477C	1	ASSY, ROCKER COVER W/ BARB
47	0C2979	2	GASKET, VALVE COVER
48	086515	8	KEEPER, VALVE SPRING
49	0D2274	4	RETAINER, VALVE SPRING
50	0D3867	4	SPRING, VALVE
51	078672	2	SEAL, VALVE STEM D7
52	0C5371	4	WASHER, VALVE SPRING
53	072694	4	STUD, ROCKER ARM PIVOT
54	0D3998	4	NUT, HEX M8-1.0 G8 YEL CHR
55	0E3273	1	SCREEN C'CASE BREATHER GTV
56	0D5313	4	ROCKER ARM
57	0D6024	2	PLATE, PUSH ROD GUIDE
58	0C2976	12	SCREW HHFC M8-1.25 X 65
59	086516	2	VALVE, EXHAUST
60	0C2229	2	VALVE, INTAKE
61	083897	4	TAPPET, SOLID
62	0D6147	4	SCREW, HHFC M6-1.0 X 10mm
63	090072	1	O-RING, 9/16 X 3/4 X 3/32
64	0E0486	1	SCREW SHC M10-1.5 X 75 G10.9
65	0E5343	1	NUT LOCK FL-SERRATED M10-1.50

Note: For complete list of available repair kits, see pages 14-15 of manual



◆ OIL RELIEF KIT — 0D40150SRV		
PART NO.	QTY.	DESCRIPTION
0C3009	2	SPRING, OIL RELIEF
0C3010	2	BALL, 1/2D OIL RELIEF
0C3011	2	COVER, OIL RELIEF

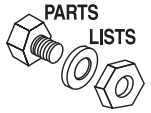
◆ SUMP KIT ASSEMBLY — 0D94190SRV		
PART NO.	QTY.	DESCRIPTION
0C2988	1	THRUST WASHER
0C2991	2	E-RING, GOVERNOR ARM
0C2992	1	BUSHING, GOVERNOR LOWER
0C3009	2	SPRING, OIL RELIEF
0C3010	2	BALL, 1/2D OIL RELIEF
0C3011	2	COVER, OIL RELIEF
0D1667	1	ARM, GOVERNOR
0E9842A	1	SEAL CRANKSHAFT PTO SIDE
090388	2	SCREW, HHTT M6-1.0 X 12 ZINC

◆ PISTON KIT — 0E29850ESV		
PART NO.	QTY.	DESCRIPTION
0G2751	2	PISTON, FLAT TOP DIA 90
0G2565A	2	RING, PISTON TOP DIA 90
0G2565B	2	RING, PISTON 2ND DIA 90
0G2565C	4	RING, PISTON OIL RAIL DIA 90
0G2565D	2	RING, PISTON OIL SPACER DIA 90
0E1466	2	PIN, PISTON 20 DIA X 48
071983	4	RETAINER, PISTON PIN 20

◆ GASKET KIT — 0D40100ESV		
PART NO.	QTY.	DESCRIPTION
0C2977	1	GASKET, CRANKCASE
0C2978	2	GASKET, CYLINDER HEAD
0C2979	2	GASKET, VALVE COVER
0C2993	1	SEAL, GOVERNOR SHAFT
0C3005	1	GASKET, BREATHER COVER
0C3027	1	O-RING 3/8 X 1/2 NITRILE (For Horizontal Shaft Engine)
0C3043	2	GASKET, INTAKE PORT
0C4138	2	GASKET, EXHAUST PORT
0C5943	1	SEAL, OIL PASSAGE
0D4026	1	GASKET, AIRBOX TO SPACER/ CARBERATOR
0E9842A	1	SEAL, CRANKCASE PTO GREEN
0E9843A	1	SEAL, CRANKCASE FLYWHEEL SIDE GREEN
0G0510	1	GASKET, MANIFOLD TO CARBERATOR
090072	1	O-RING 9/16 X 3/4 X 3/32 (For Vertical Shaft Engine)

◆ GOVERNOR KIT ASSEMBLY — 0E27430SRV		
PART NO.	QTY.	DESCRIPTION
0A7811	1	SPOOL, GOVERNOR MACHINED
0C2985A	2	BEARING ROLLER GOV TOP
0C2985B	1	BEARING ROLLER GOV W/ROLLERS
0E2743	1	ASSY, GOV GEAR-LIGHT FLYWGT

◆ BREATHER ASSEMBLY KIT — 0E43550SRV		
PART NO.	QTY.	DESCRIPTION
0C3005	1	GASKET, BREATHER COVER
0C5372	1	ASSY, BREATHER
0E3273	1	SCREEN, C'CASE BREATHER
0E3372A	1	SEPARATOR, OIL BREATHER



◆ HEAD ASSEMBLY KIT - CYL #1 — 0D8675ASRV		
PART NO.	QTY.	DESCRIPTION
0C2229	1	VALVE, INTAKE
0C2976	6	SCREW, HHFC M8-1.25 X 65
0C2978	1	GASKET, CYLINDER HEAD
0C2979	1	GASKET, VALVE COVER
0C3043	2	GASKET, INTAKE PORT
0C4138	2	GASKET, EXHAUST PORT
0C5371	2	WASHER, VALVE SPRING
0D2274	2	RETAINER, VALVE SPRING
0D3867	2	SPRING, VALVE
0D3998	2	NUT, HEX M8-1.0 G8 YEL CHR
0D5313	2	ROCKER ARM
0D6024	1	PLATE, PUSH ROD GUIDE
0D8067A	1	ASSY, CYL HEAD GUIDES & SEATS CYL 1
0D9853D	2	PUSHROD 147 LENGTH
072694	1	STUD, ROCKER ARM PIVOT
078672	1	SEAL, VALVE STEM D7
086515	2	KEEPER, VALVE SPRING (SET OF 2)
086516	1	VALVE, EXHAUST

◆ HEAD ASSEMBLY KIT - CYL #2 — 0D8675BSRV		
PART NO.	QTY.	DESCRIPTION
0C2229	1	VALVE, INTAKE
0C2976	6	SCREW, HHFC M8-1.25 X 65
0C2978	1	GASKET, CYLINDER HEAD
0C2979	1	GASKET, VALVE COVER
0C3043	2	GASKET, INTAKE PORT
0C4138	2	GASKET, EXHAUST PORT
0C5371	2	WASHER, VALVE SPRING
0D2274	2	RETAINER, VALVE SPRING
0D3867	2	SPRING, VALVE
0D3998	2	NUT, HEX M8-1.0 G8 YEL CHR
0D5313	2	ROCKER ARM
0D6024	1	PLATE, PUSH ROD GUIDE
0D8067B	1	ASSY, CYL HEAD GUIDES & SEATS CYL 2
0D9853D	2	PUSHROD 147 LENGTH
072694	1	STUD, ROCKER ARM PIVOT
078672	1	SEAL, VALVE STEM D7
086515	2	KEEPER, VALVE SPRING (SET OF 2)
086516	1	VALVE, EXHAUST