

# **GENERAC<sup>®</sup>**

---

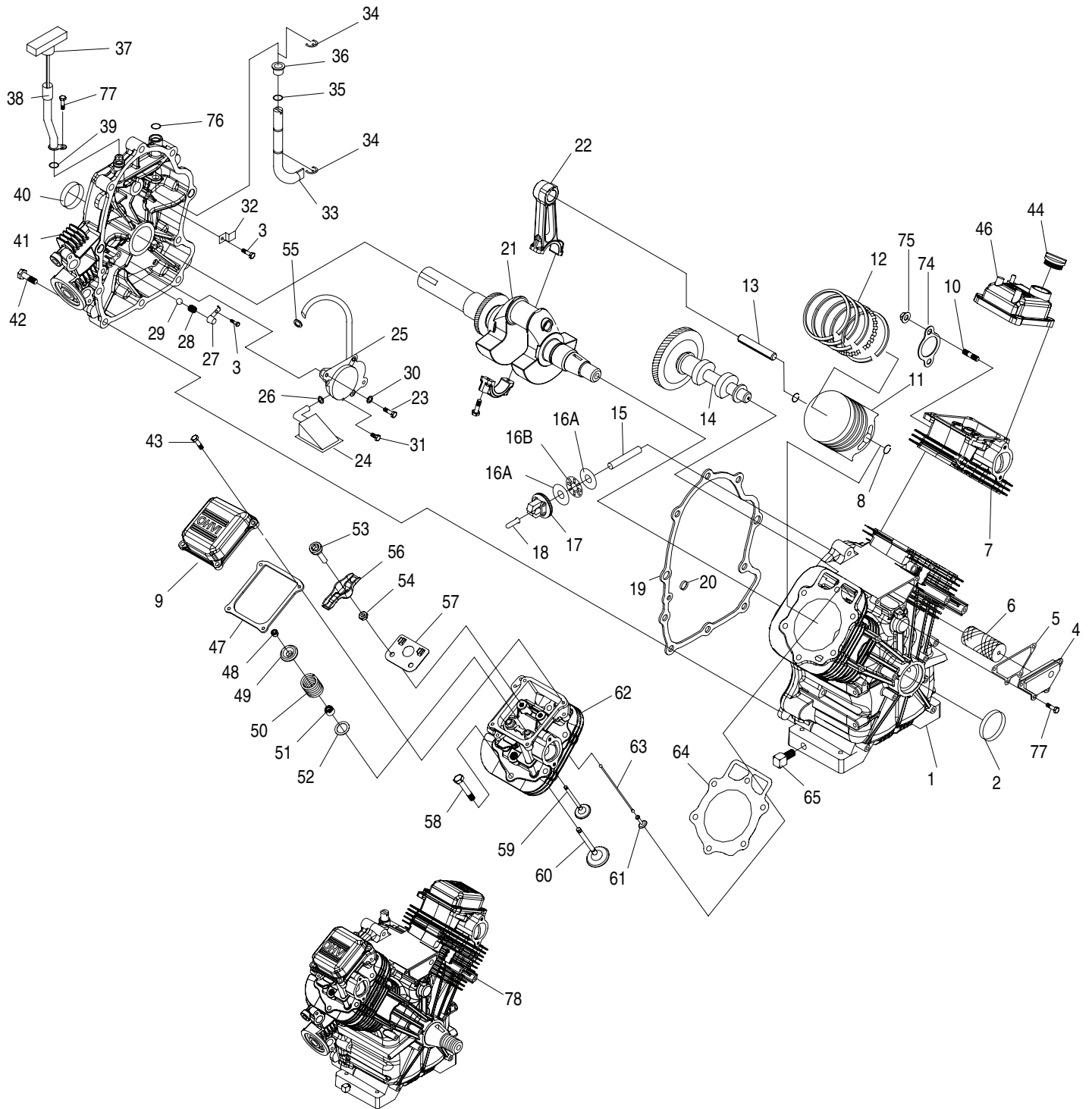
POWER SYSTEMS, INC.

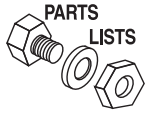


## **GTH990**

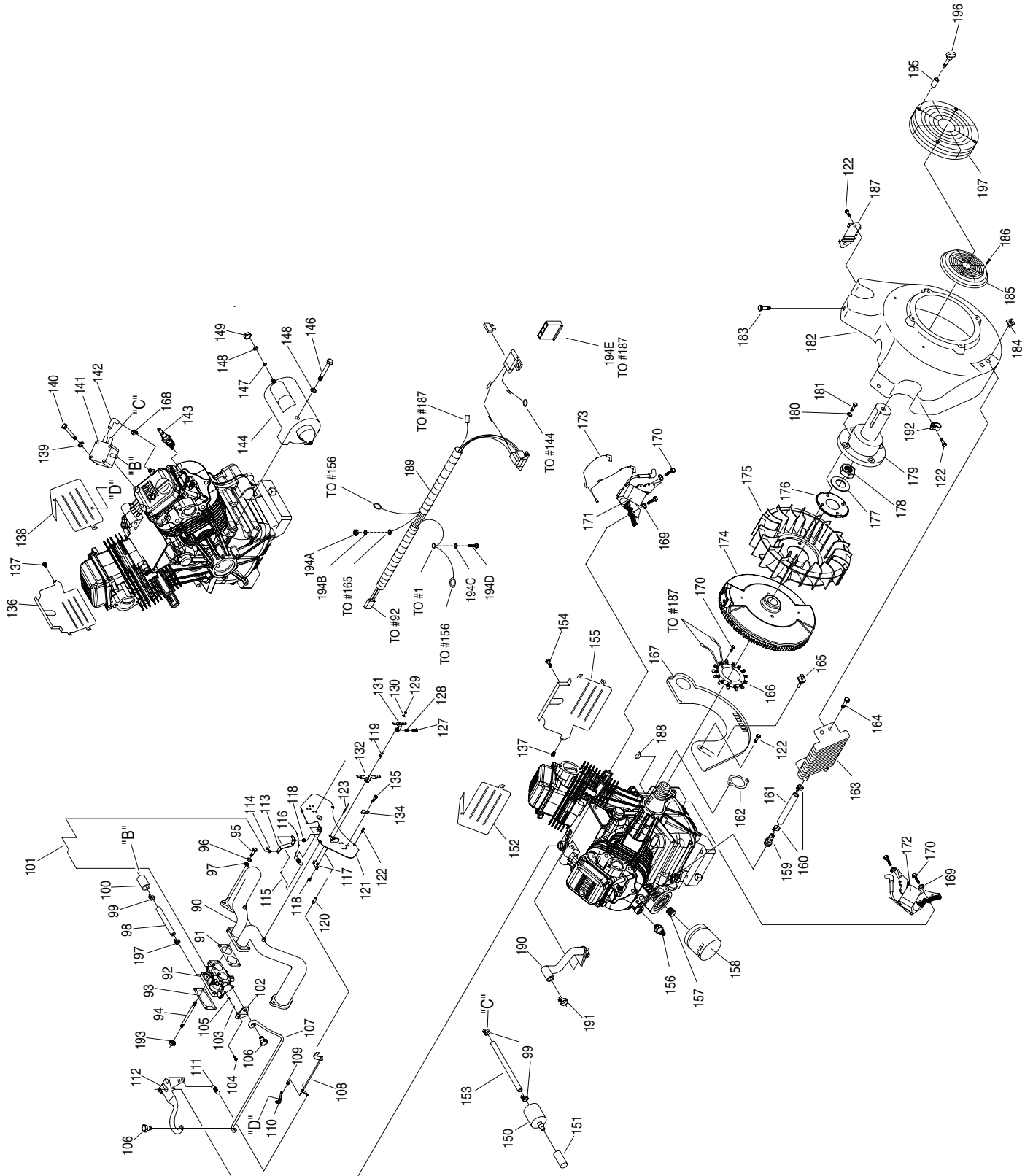
# **Engine Parts Manual**

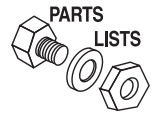
Model: 005182-0



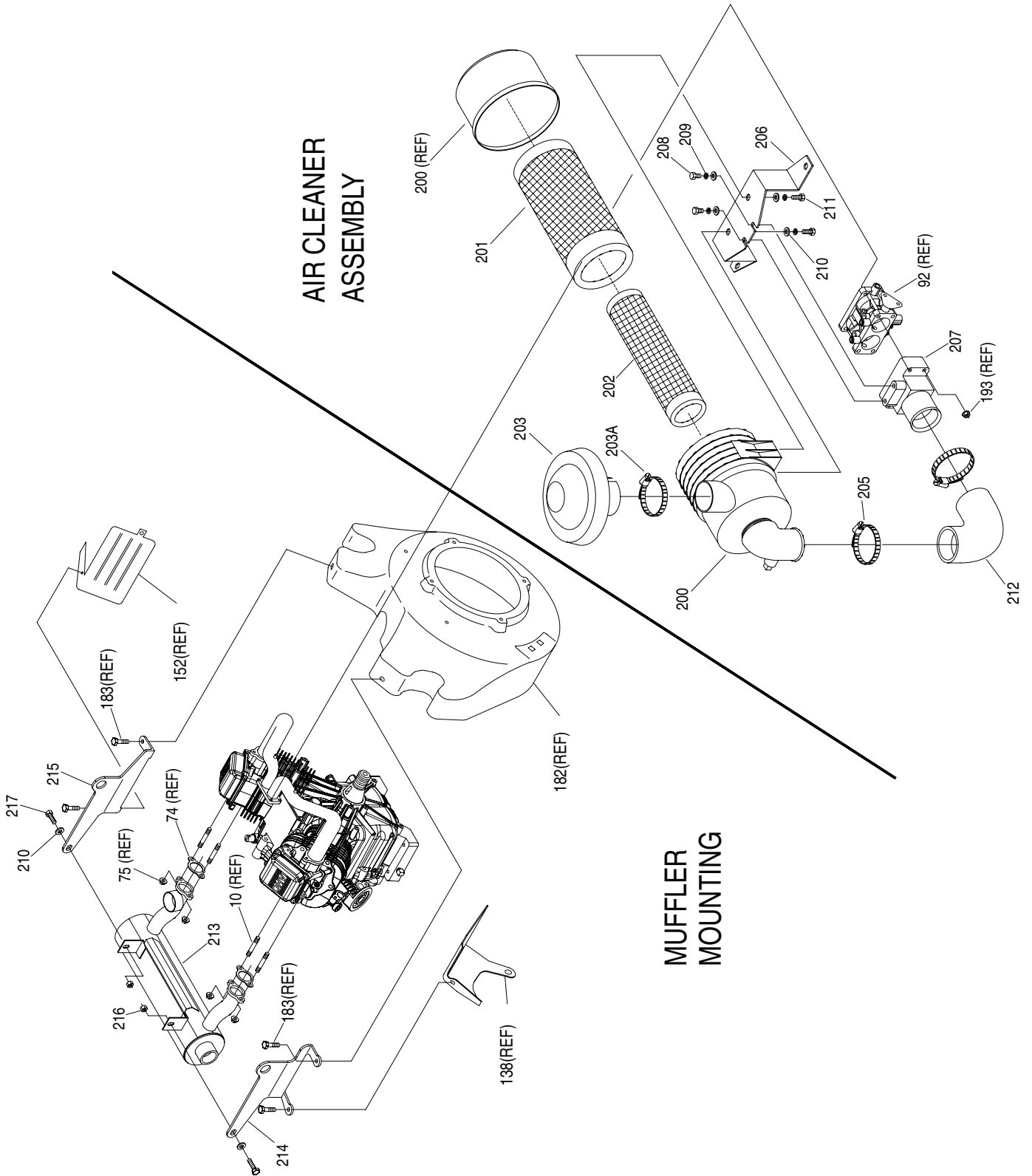


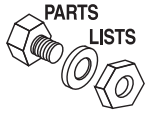
ITEM	PART NO.	QTY.	DESCRIPTION	ITEM	PART NO.	QTY.	DESCRIPTION
1	0C57290SRV	1	ASSEMBLY, CRANKCASE HOUSING WITH SLEEVE	38	0C5305	1	TUBE, DIPSTICK
2	0E9843	1	SEAL, 38 I.D. CRANKSHAFT FLYWHEEL SIDE	39	0C3027	1	O-RING, OIL CLR 3/8 X 1/2
3	090388	3	SCREW, HHTT M6-1.0 X 12 YC	40	0E9842	1	SEAL, 42 I.D. CRANKSHAFT PTO SIDE
4	0C5372	1	ASSEMBLY, BREATHER	41	0C5731	1	ASSEMBLY, HOUSING COVER WITH SLEEVE
5	0C3005	1	GASKET, BREATHER COVER	42	0C3006	10	SCREW, HHFC M10-1.5 X 55
6	0E3372B	1	SEPARATOR, OIL BREATHER	43	080318	8	SCREW HHFC M6-1.0 X 25
7	0D8067A	1	ASSEMBLY, HEAD #1 G&S	44	0930640SRV	1	ASSEMBLY, OIL FILL CAP
8	071983	4	RETAINER, PISTON PIN 20	46	0D5269	1	ROCKER, COVER WITH OIL FILL
9	0C2981C	1	ROCKER, COVER NO OIL FILL	47	0C2979	2	GASKET, VALVE COVER
10	045761A	4	STUD M8-1.25/10MM X 30 G5 ZINC	48	086515	8	KEEPER, VALVE SPRING
11	0E2950	2	PISTON, LC	49	0D2274	4	RETAINER, VALVE SPRING
12	0215330SRV	2	SET, PISTON RING 90MM	50	0D3867	4	SPRING, VALVE
13	0E1466	2	PIN PISTON D20	51	078672	2	SEAL, VALVE STEM D7
14	0D4041	1	ASSEMBLY, CAMSHAFT & GEAR	52	0C5371	4	WASHER, VALVE SPRING
15	0C2983	1	SHAFT, GOVERNOR	53	072694	4	STUD, ROCKER ARM PIVOT
16A	0C2985A	2	ROLLER BEARING, GOVERNOR PLATE	54	0D3998	4	NUT HEX M8-1.0 G8 YEL CHR
16B	0C2985B	1	ROLLER BEARING, GOVERNOR	55	0C3027	2	O-RING, 3/8" X 1/2"
17	0D4042	1	ASSEMBLY, GOVERNOR GEAR	56	0D5313	4	ROCKER ARM
18	0A7811	1	SPOOL, GOVERNOR MACHINED	57	0D6024	2	PLATE, PUSH ROD GUIDE
19	0C2977	1	GASKET, CRANK CASE	58	0C2976	12	SCREW HHFC M8-1.25 X 65
20	0C5943	1	SEAL, OIL PASSAGE	59	086516	2	VALVE, EXHAUST
21	0E4357C	1	ASSEMBLY, CRANKSHAFT HORIZ 990 1-7/16"	60	0C2229	2	VALVE, INTAKE
22	0E3223	2	CONNECTING ROD	61	083897	4	TAPPET, SOLID
23	0D2157	2	SCREW, SHC M6-1.0 X 50 G8.8	62	0D8067B	1	ASSEMBLY, HEAD #2 G&S
24	0E6098	1	SCREEN, OIL PICKUP	63	0D9853D	4	PUSHROD, 147
25	0D4123A	1	ASSEMBLY, OIL PUMP	64	0C2978	2	GASKET, HEAD
26	0E8152	1	O-RING .49 X .07 THICK	65	0D4788	2	PLUG, STD PIPE 3/8
27	0C3011	2	COVER, OIL RELIEF	66	0D40100ESV	1	KIT GASKET
28	0C3009	2	SPRING, OIL RELIEF	67	0E29500SRV	1	KIT PISTON & RINGS
29	0C3010	2	BALL, 1/2D OIL RELIEF	68	0D40120SRV	1	KIT BREATHER ASSEMBLY
30	093873	2	WASHER, LOCK M6 RIBBED	69	0D40130SRV	1	KIT GOVERNOR ASSEMBLY
31	0F5458	1	SCREW, PLASTITE HI-LOW #10	70	0D8675ASRV	1	KIT HEAD ASSEMBLY CYLINDER 1
32	0C5998	1	CLAMP, OIL TUBE	71	0D8675BSRV	1	KIT HEAD ASSEMBLY CYLINDER 2
33	0D1667	1	ARM, GOVERNOR	72	0D40150SRV	1	KIT OIL RELIEF
34	0C2991	2	E-RING, GOVERNOR ARM	73	0D40160SRV	1	KIT GEAR COVER
35	0C2988	1	THRUST WASHER, GOVERNOR	74	0C4138	2	GASKET, EXHAUST PORT
36	0C2992	1	BUSHING, GOVERNOR LOWER	75	0F0462	4	NUT, HEX W/TOOTH WSHR M8-1.25
37	0C3971C	1	ASSEMBLY, DIPSTICK WITH HANDLE	76	0C2993	1	SEAL, GOVERNOR SHAFT
				77	0D6147	5	SCREW, HHFC M6-1.0 X 10
				78	0F4290001E	1	LONGBLOCK





ITEM	PART NO.	QTY.	DESCRIPTION	ITEM	PART NO.	QTY.	DESCRIPTION
90	0C9911	1	MANIFOLD, INTAKE HORIZONTAL 2-BARREL	149	0F5467	1	NUT, HEX M8-1.25 YELLOW ZINC
91	0D4023	1	GASKET, MANIFOLD TO CARB GTH990	150	0F0106	1	FILTER, FUEL DONALDSON
92	0E9995	1	CARBURETOR, GTH990 DENI	151	0E0124	1	END CAP L-BLUE
93	0D4626	1	GASKET, AIRBOX TO SPCR/CARB GTH990	152	0C3018	1	WRAPPER, UPPER CYLINDER 1
94	0D6021	4	STUD, METRIC	153	030340L	11"	HOSE, 0.25 ID
95	049821	4	SCREW, SHC M8-1.25 X 30	154	0E6043	2	SCREW, THTT M5-0.8 X 8 ZP
96	070006	4	WASHER, LOCK M8	155	0C3019	1	WRAPPER, LOWER CYLINDER 1
97	070008	4	WASHER, FLAT M8	156	0C3025	1	SWITCH, OIL PRESSURE
98	030340R	9.5"	HOSE, 0.25 ID	157	0C7292	1	NIPPLE, 3/4"-16 UNF
99	048031C	3	CLAMP, HOSE BAND 1/4	158	070185B	1	FILTER, OIL BLACK 75mm LONG
100	086061G	1	SLEEVING, 1/2" ID X 3" LG	159	035461	2	BARBED STR 1/4NPT X 3/8
101	0D9960	1	ROD, CHOKE	160	0F6301	4	CLAMP, HOSE OETIKER 16.5mm
102	0E9271	1	BRACKET, THROTTLE GTH990	161	0C9806	2	HOSE, 3/8" I.D. X 6" LONG
103	022152	1	WASHER, #10 LOCK	162	0C3043	2	GASKET, MANIFOLD / PORT
104	036933	1	SCREW, PPHM #10-32 X 3/8	163	0C3026	1	COOLER, OIL
105	022158	1	NUT, HEX #10-32 STEEL	164	0C9764	4	PLASTITE, 1/4-15 X 3/4
106	0F1672	2	BOLT, GOVERNOR LINK SHOULDER	165	0E4997	1	CONNECTOR, GROUND WIRE
107	0E8724	1	ROD, GOVERNOR	166	0F1153B	1	STATOR, OUTLINE W/LUGS-14.25"
108	0E9137	1	ASSY, SPEED CONTROL ROD	167	0F1170C	1	PLATE, BACKING GT990 W/REGULTR CUTOUT
109	0E9192	1	BUSHING, REAR SPEED CONTROL	168	048031G	1	CLAMP, HOSE
110	0E8920	1	BRACKET, THROTTLE ROD SUPPORT	169	022097	4	WASHER, LOCK M6-1/4
111	0D9513	1	SPRING, GOVERNOR ADJUSTMENT	170	092079	8	SCREW, HHTT M6-1.0 X 25 BP
112	0E8966	1	ASSEMBLY, GOVERNOR LEVER	171	0E7743	1	ASSY, IGNITION COIL 270mm CYLINDER 1
113	0E9046	1	BELLCRANK, CHOKE	172	0C3052	1	ASSY, IGNITION COIL GV-990 CYLINDER 2
114	0D1366	1	BUSHING, GOVERNOR ROD	173	0E7209	1	ASSEMBLY, GROUND WIRE
115	0E9253	1	ROD,BELLCRANK TO CHOKE LEVER	174	0E0116	1	ASSEMBLY, FLYWHEEL W/LC MAG FRNT PTO
116	0F4363	1	SPRING, CHOKE RETURN	175	0C3031A	1	FAN, FLYWHEEL PTO SHAFT VERSION NYLON
117	0F2734	1	BELLCRANK, THROTTLE-CHOKE	176	0D9560	1	CLAMP, FLYWHEEL FAN FRONT PTO
118	0F4360	2	SCREW, HHTT M4-0.7 X 6 BP	177	0C3033	1	WASHER, M24
119	0F2652	1	STUD, THROTTLE CONTROL	178	0C3034	1	NUT, HEX M24
120	0F2651	1	BUSHING, THROTTLE CONTROL	179	0D9381	1	SHAFT, FLYWHEEL PTO 179MM
121	0E9004	1	PANEL, CONTROL FACE PLATE	180	0A5992	4	WASHER, SHAKEPROOF INT M8 SS
122	045756	21	SCREW, HHTT M6-1.0 X 10 YELLOW CHROME	181	042909	4	SCREW, HHC M8-1.25 X 30 G8.8
123	0F0710	1	RIVET, POP 0.125 X 0.337 STEEL	182	0F1169F	1	HOUSING, BLOWER HOR GASOLINE L&G
127	0D9861	1	SCREW, HHC W/PHILLIPS M5-0.8 X 30	183	0C8566	4	SCREW, HHHC M6-1.0 X 20
128	0D3751	1	SPRING, IDLE RETURN	184	0C9763	4	NUT, GROMMET 1/4 PLUG
129	037398	1	NUT, HEX LOCK #10-32 NY INS	185	0D9684A	1	SCREEN, ROTATING
130	0F4362	1	WASHER, WAVE	186	0D7115	4	SCREW, #10 SHEET METAL
131	0E8137	1	LEVER, THROTTLE GTH990	187	0A2702	1	REGULATOR, VOLTAGE (20A)
132	0E8357	1	LEVER, CHOKE GTH990	188	082774	1	KEY,WOODRUFF 4 X 19D
134	0E4190	6	CLAMP, 3/16" COATED CABLE	189	0F3202	1	HS WIRE HARNESS
135	0F5579	6	SCREW, HHC W/SHLDR M5-0.8 X 20	190	0E6424	1	BREATHER HOSE, GTH990 L&G
136	0D1142A	1	WRAPPER, LOWER CYLINDER 2	191	048031G	1	HOSE, CLAMP GREEN
137	0D6147	2	SCREW, HHFC M6-1.0 X 10mm	192	0C5894	1	CLAMP, FUEL LINE 1/4
138	0D1143	1	WRAPPER, UPPER CYLINDER 2	193	0E8388	4	NUT, HEX FLANGE WHIZ M6-1.0
139	022264	2	WASHER, LOCK M4	194A	022471	1	NUT, HEX #8-32
140	0D6142	2	SCREW, PPHM M4-0.7 X 40	194B	022264	1	WASHER LOCK #8-M4
141	0C4147	1	PUMP, PULSE	194C	043182	1	WASHER LOCK M3
142	0D5399A	1	ELBOW, RUBBER 90 DEGREE	194D	0C1085	1	SCREW, PPHM M3-0.5 X 8
143	0E7585	2	SPARKPLUG	194E	0F1150	1	HOUSING, CONN PACKARD 56 SERIES
144	0E42710ESV	1	STARTER, DELCO REMY SD80	195	0E3146	4	SPACER, ROTATING SCREEN GUARD
146	061906	2	SCREW, HHC M8-1.25 X 85 G8.8	196	0C5136	4	KNOB, AIR CLEANER
147	022145	1	WASHER, FLAT M8	197	0D7815B	1	ASSY, ROTATING SCREEN W/KNOCKOUT
148	022129	3	WASHER, LOCK M8-5/16				





ITEM	PART NO.	QTY.	DESCRIPTION
<b>AIR CLEANER ASSEMBLY</b>			
200	0F7642	1	CLEANER, AIR WITH M8 MOUNTING BASE
201	0E3557	1	FILTER, AIR PRIMARY DONALDSON
202	0E3656	1	FILTER, AIR SAFETY DONALDSON
203	0E0136A	1	HOOD, INLET DONALDSON #H001377
203A	0E0136B	1	CLAMP,HOSE DONALDSON #P148058
204			
205	0E1680	2	CLAMP, HOSE #32 1.563-2.5
206	0E2836	1	BRACKET, AIRCLEANER SUPPORT GTH990
207	0E3059	1	ADAPTOR, CARB TO AIRBOX GTH990
208	051754	2	SCREW, HHC M8-1.25 X 12
209	022129	4	WASHER, LOCK 5/16-M8
210	022145	6	WASHER, FLAT M8-5/16
211	042907	2	SCREW, HHC M8-1.25 X 16
212	0E4807	1	HOSE, AIRCLEANER CONNECTOR GTH990

ITEM	PART NO.	QTY.	DESCRIPTION
<b>MUFFLER MOUNTING</b>			
213	0E8558	1	MUFFLER, GTH990/760
214	0E6708A	1	SUPPORT, MUFFLER W/LIFT EYE-RH
215	0E6708B	1	SUPPORT, MUFFLER W/LIFT EYE-LH
216	067989	2	NUT, HEX FL WHIZ M8-1.25
217	039253	2	SCREW, HHC M8-1.25 X 20 G8.8

**◆ ◆ CARBURETOR OVERHAUL KIT — 0F9124**

PART NO.	QTY.	DESCRIPTION
0D4023	1	GASKET, MANIFOLD TO CARB GTH990
0D4026	1	GASKET, ARBX TO SPCR/CARB H990
0E5689	1	"O"RING, FLOAT BOWL DRAIN
0E5694	1	ASSY, NEEDLE VALVE
0E5695	1	SPRING, NEEDLE
0E5696	1	PIN, NEEDLE
0E5700	1	"O"RING, FLOAT BOWL
0E5701	1	GASKET, FLOAT BOWL
0E5696	1	PIVOT PIN, FLOAT

**◆ ◆ CARBURETOR BOWL GASKET KIT — 0F9125**

PART NO.	QTY.	DESCRIPTION
0E5689	1	"O"RING, FLOAT BOWL DRAIN
0E5700	1	"O"RING, FLOAT BOWL
0E5701	1	GASKET, FLOAT BOWL

**◆ ◆ SOLENOID, FUEL SHUT OFF — 0E5551**



## ◆ OIL RELIEF KIT — 0D40150SRV

PART NO.	QTY.	DESCRIPTION
0C3009	2	SPRING, OIL RELIEF
0C3010	2	BALL, 1/2D OIL RELIEF
0C3011	2	COVER, OIL RELIEF

## ◆ GEAR COVER KIT — 0D40160SRV

PART NO.	QTY.	DESCRIPTION
0C2988	1	THRUST WASHER
0C2991	2	E-RING, GOVERNOR ARM
0C2992	1	BUSHING, GOVERNOR LOWER
0C3009	2	SPRING, OIL RELIEF
0C3010	2	BALL, 1/2D OIL RELIEF
0C3011	2	COVER, OIL RELIEF
0D1667	1	ARM, GOVERNOR
0E9842	1	SEAL CRANKSHAFT PTO SIDE
090388	4	SCREW, HHTT M6-1.0 X 12 ZINC
0C5998	1	CLAMP, OIL TUBE

## ◆ GASKET KIT — 0D40100ESV

PART NO.	QTY.	DESCRIPTION
0C2977	1	GASKET, C'CASE
0C2978	2	GASKET, CYLINDER HEAD
0C2979	2	GASKET, VALVE COVER
0C2993	1	SEAL, GOVERNOR SHAFT
0C3005	1	GASKET, BREATHER COVER
0C3043	2	GASKET, INTAKE PORT
0C4138	2	GASKET, EXHAUST PORT
0C5943	1	SEAL, OIL PASSAGE
0D4026	1	GASKET, CARB TO SPACER
0D4023	1	GASKET, MANIFOLD TO CARB
0E9842	1	SEAL CRANKSHAFT PTO SIDE
0E9843	1	SEAL CRANKSHAFT FLYWHEEL SIDE
0C3027	1	O-RING 3/8 X 1/2

## ◆ BREATHER ASSEMBLY KIT — 0D40120SRV

PART NO.	QTY.	DESCRIPTION
0C3005	1	GASKET, BREATHER COVER
0C5372	1	ASSY, BREATHER
0E3372B	1	SEPARATOR, OIL BREATHER

## ◆ GOVERNOR KIT ASSEMBLY — 0D40130SRV

PART NO.	QTY.	DESCRIPTION
0A7811	1	SPOOL, GOVERNOR MACHINED
0C2985A	2	BEARING ROLLER GOV TOP
0C2985B	1	BEARING ROLLER GOV W/ROLLERS
0D4042	1	ASSY, GOV GEAR

## ◆ HEAD ASSEMBLY KIT - CYL #1 — 0D8675ASRV

PART NO.	QTY.	DESCRIPTION
0C2229	1	VALVE, INTAKE
0C2976	6	SCREW, HHFC M8-1.25 X 65
0C2978	1	GASKET, CYLINDER HEAD
0C2979	1	GASKET, VALVE COVER
0C3043	2	GASKET, INTAKE PORT
0C4138	2	GASKET, EXHAUST PORT
0C5371	2	WASHER, VALVE SPRING
0D2274	2	RETAINER, VALVE SPRING
0D3867	2	SPRING, VALVE
0D3998	2	NUT, HEX M8-1.0 G8 YEL CHR
0D5313	2	ROCKER ARM
0D6024	1	PLATE, PUSH ROD GUIDE
0D8067A	1	ASSY, CYL HEAD GUIDES & SEATS CYL 1
0D9853D	2	PUSHROD 147 LENGTH
072694	1	STUD, ROCKER ARM PIVOT
078672	1	SEAL, VALVE STEM D7
086515	2	KEEPER, VALVE SPRING (SET OF 2)
086516	1	VALVE, EXHAUST

## ◆ HEAD ASSEMBLY KIT - CYL #2 — 0D8675BSRV

PART NO.	QTY.	DESCRIPTION
0C2229	1	VALVE, INTAKE
0C2976	6	SCREW, HHFC M8-1.25 X 65
0C2978	1	GASKET, CYLINDER HEAD
0C2979	1	GASKET, VALVE COVER
0C3043	2	GASKET, INTAKE PORT
0C4138	2	GASKET, EXHAUST PORT
0C5371	2	WASHER, VALVE SPRING
0D2274	2	RETAINER, VALVE SPRING
0D3867	2	SPRING, VALVE
0D3998	2	NUT, HEX M8-1.0 G8 YEL CHR
0D5313	2	ROCKER ARM
0D6024	1	PLATE, PUSH ROD GUIDE
0D8067B	1	ASSY, CYL HEAD GUIDES & SEATS CYL 2
0D9853D	2	PUSHROD 147 LENGTH
072694	1	STUD, ROCKER ARM PIVOT
086515	2	KEEPER, VALVE SPRING (SET OF 2)
086516	1	VALVE, EXHAUST

## ◆ PISTON KIT — 0E29500SRV

PART NO.	QTY.	DESCRIPTION
0E1466	2	PIN, PISTON 20 DIA X 48
0E2950	2	PISTON, 8.5:1 90MM DIA LOW COMPR
021533A	2	RING, PISTON TOP 90MM
021533B	2	RING, PISTON 2ND 90MM
021533C	4	RING, OIL RAIL 90MM
021533D	2	RING, OIL SPACER 90MM
071983	4	RETAINER, PISTON PIN 20