

BigDog Mowers Alpha Parts Manual

Contents

General Information	1
Frame & Fenders	
36" Frame—S/N 16050225 & Higher	3-1
36" Frame—SN Prior to 16050225	3-2
42" & 52" Frame—S/N 16053188 & Higher	3-3
42" & 52" Frame—S/N Prior to 16053188	3-4
Fenders & Instrument Panel - Kawasaki Engines	3-5
Fenders & Instrument Panel - Kohler Engines	3-6
Battery	3-7
Engine Guard	3-8
Lights	3-9
Transmission & Steering	
Transmission Assembly (Multi-Page)	4-1
Transmission Service Parts	4-2
Steering & Brake—S/N 16053188 & Higher	4-3
Steering & Brake—S/N Prior to 16053188	4-4
Steering Cover Assembly	4-5
Wheels & Tires	
Wheel & Tire - 36" Mowers	5-1
Wheel & Tire - 42" & 52" Mowers	5-2
Front Wheel Breakdown	5-3
Drive Wheel Breakdown - 18 x 7.0-8	5-4
Drive Wheel Breakdown - 18 x 8.5-8	5-5
Engine & Fuel Tank	
Engine, Kawasaki FR541V (Multi-Page)	6-1
Engine Service Parts - Kawasaki FR541V	6-2
Engine, Kawasaki FR651V & FR691V (Multi-Page)	6-3
Engine Service Parts - Kawasaki FR651V & FR691V	6-4
Fuel System, Kawasaki	6-5
Engine, Kohler KT725, KT735 & KT610 (Multi-Page)	6-6
Engine Service Parts - Kohler PRO Performance Engine	6-7
Engine Service Parts - Kohler Standard Engine	6-8
Fuel System, Kohler	6-9
Deck	
36" Service Deck	7-1
36" Deck Pulleys & Spindles	7-2
36" Deck	7-3
42" Service Deck	7-4
42" Deck Pulleys & Spindles - S/N 1601A762 & Higher	7-5
42" Deck Pulleys & Spindles - S/N Prior to 1601A762	7-6
42" Deck - S/N 14030001 & Higher	7-7

42" Deck - S/N Prior to 14030001	7-8
36" & 42" Deck Lift	7-9
52" Service Deck	7-10
52" Deck Pulleys & Spindles	7-11
52" Deck - S/N 14030001 & Higher	7-12
52" Deck - S/N Prior to 14030001	7-13
52" Deck Lift	7-14

Seat & ROPS

Seat without Armrests	8-1
Seat with Armrests	8-2
Seat Service Parts - 605009	8-3
Appendix A:Pages Index	A
Appendix B:Parts Index	B

General Information

This manual covers BigDog® Alpha Mower models **932897, 932913, 933374, 933416, 933606, 934422, 934430, 935973, 935981 & 935999.**

Service Literature

PART NO.	DESCRIPTION
605045	OPERATOR'S MANUAL
119552	WARRANTY STATEMENT
119293	GENERAL SERVICE MANUAL

Options Available From Your Dealer

PART NO.	DESCRIPTION
933010	CATCHER
119937	36" MULCH KIT
117578	42" MULCH KIT
117581	52" MULCH KIT
119603	ENGINE GUARD KIT
119600	LIGHT KIT (42")
333724	STEERING EXTENSION KIT
799288	FLEX FORK KIT
119783	ARMREST KIT (42")

Note: When ordering parts, you must use the part number as shown for each part, not the index number. Always give the model and serial number to your parts and service representative.

Note: Items sold in bulk such as seals and hoses are sold by the foot.

Using This Manual

This manual is part of a service package for the BigDog® mowers. Use of this manual in conjunction with other BigDog® mower and component manuals will provide the information necessary to service and maintain BigDog® mowers.

This Parts Manual provides a complete parts listing for the unit. Use this manual when ordering parts. Illustrations used were current at the time of printing, but subsequent production changes may cause your machine to vary slightly in detail. Excel Industries, Inc. reserves the right to redesign and change the machine as deemed necessary, without notification. If a change has been made to your machine which is not reflected in this parts manual, see your authorized dealer for current information and parts.

The Service Manual is a service guide for use by Service Technicians. It provides the necessary information needed to perform normal maintenance requirements on these units.

The Operator's Manual provides fundamental operational information and operational safety that is needed when operating the mower.

The component manuals are furnished by the various manufacturers to be used for the troubleshooting and servicing of their products.

Hardware Description Codes & Abbreviations

The following codes are used throughout this parts manual. Refer to this list when ordering parts.

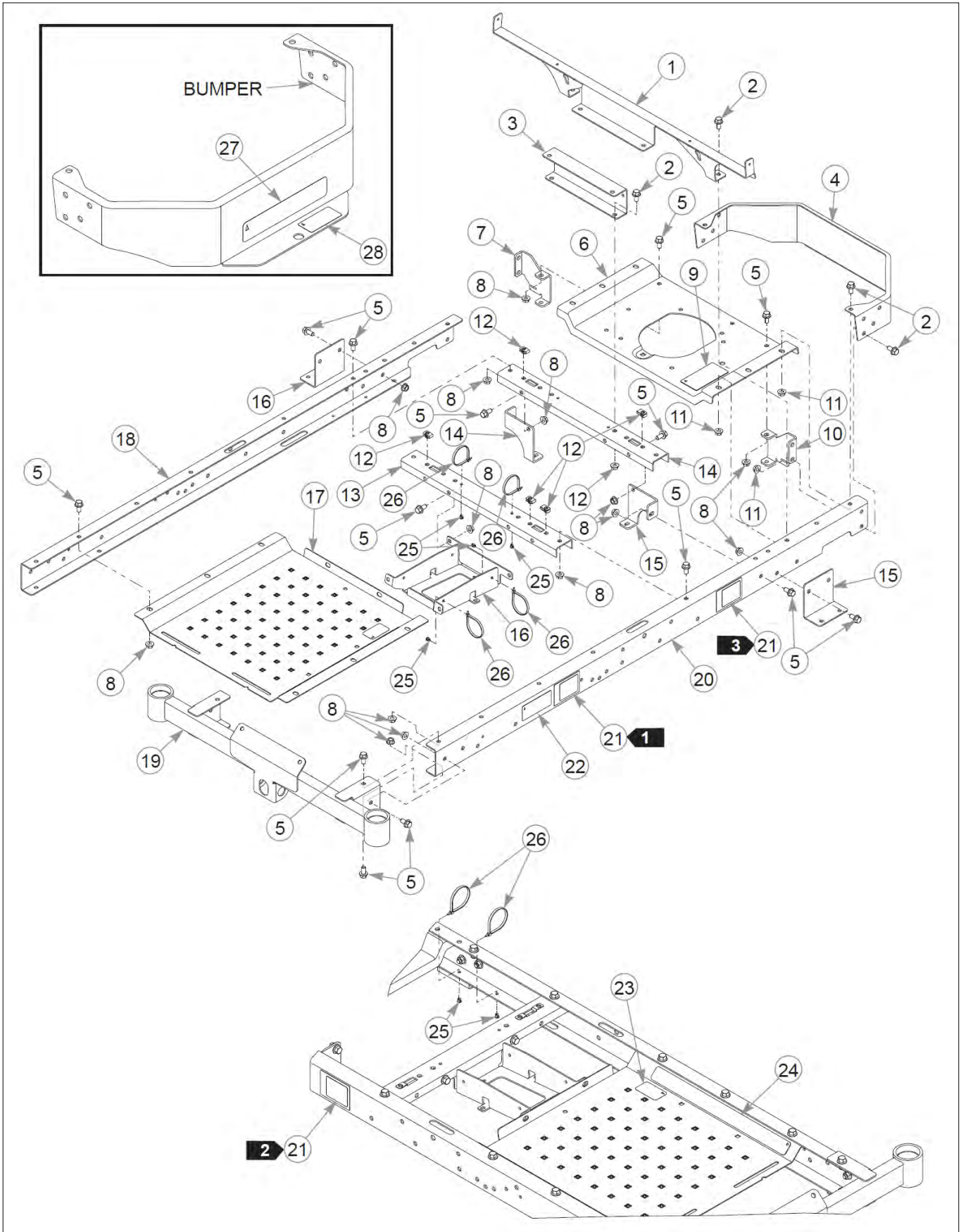
ABBREVIATION	DESCRIPTION	ABBREVIATION	DESCRIPTION
CB	CARRIAGE BOLT	MB	MACHINE BUSHING
CE	CLEVIS PIN	MS	MACHINE SCREW
CN	CLIP NUT	NT	NUT
CP	COTTER PIN	SC	SELF TAPPING CAP SCREW
CS	CAP SCREW	SH	SOCKET HEAD
CW	CUP WASHER	SB	SHOULDER BOLT
FDRW	FENDER WASHER	SS	SET SCREW
FW	FLAT WASHER	OD	OUTSIDE DIAMETER
HX	HEX HEAD	ID	INSIDE DIAMETER
LW	LOCK WASHER	WN	WELD NUT

Standard Torques

The following chart lists the standard torque values for the threaded fasteners found in this manual. Torque all cap screws, nuts and set screws to these values unless a different torque is shown in the Notes section next to the fastener.

SIZE	FT-LBS	N•M	SIZE	FT-LBS	N•M
.250	8.2	11.1	M3	1	1.3
.312	17	23	M4	2.2	3
.375	30	40	M5	4.5	6.1
.438	48	65	M6	7.7	10.4
.500	73	99	M8	18.5	25
.562	105	143	M10	37	50
.625	145	200	M12	64	87
.750	260	350	M14	80	108.5
.875	420	565	M16	160	215
1.00	625	850	M20	320	435
			M24	555	750

Frame & Fenders



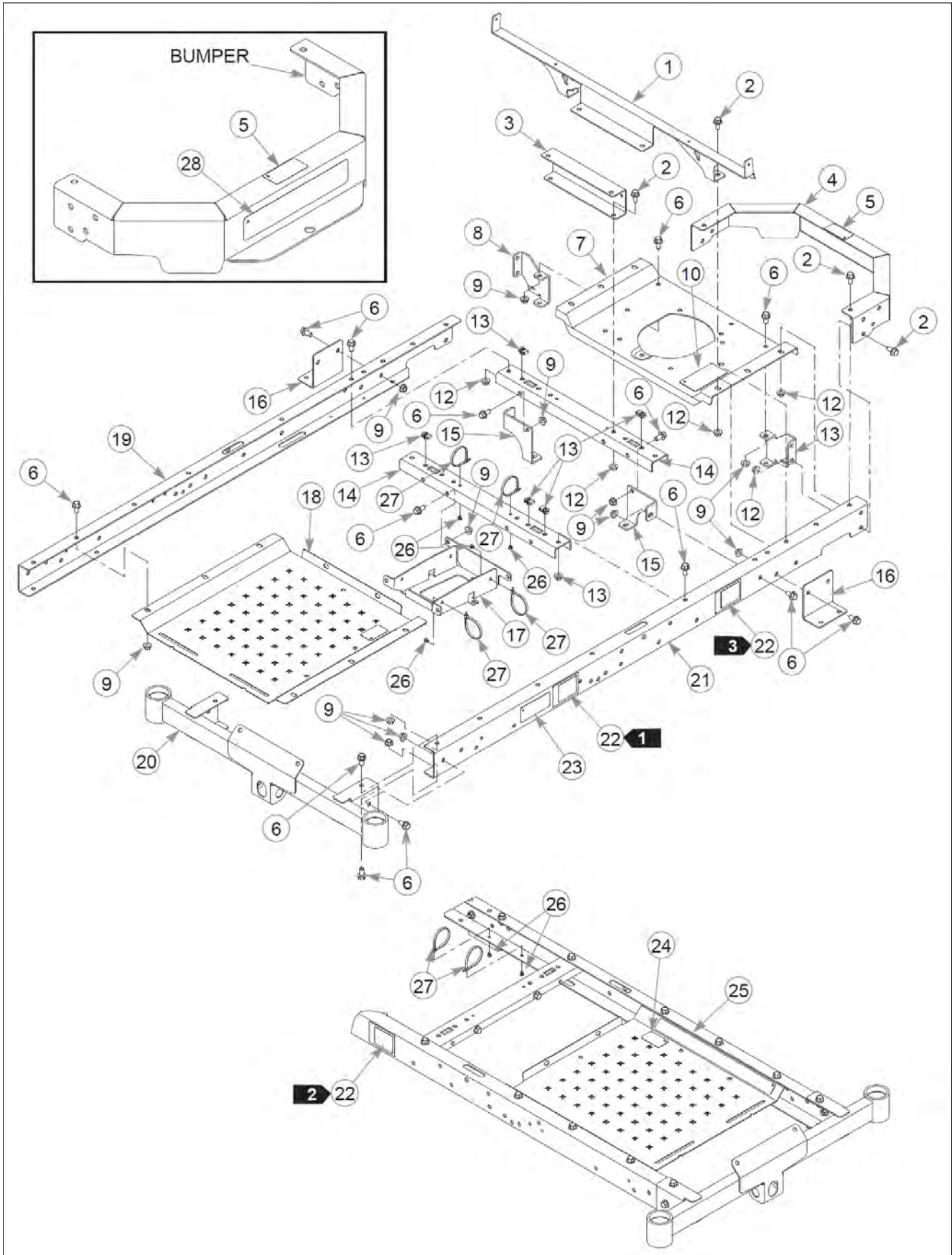
Item	Part No.	Name	Qty	Uom
1	123637-3	SEAT SUPPORT	1	EA
2	029629	CS .375-16X0.750FLK	10	EA
3	123636-3	SPRING SUPPORT	1	EA
4	553643	SVC, BUMPER ALPHA & MP	1	EA
5	604176	CS .375-16x.75 HXFLK PLN	30	EA
6	552421	SVC, ENGINE PLATE	1	EA
7	190183	SVC, BRACKET RH REAR	1	EA
8	604177	NT .375-16 HXFLK PLN	30	EA
9	600899	DECAL, PUMP BELT WARNING	1	EA
10	190184	SVC, BRACKET LH REAR	1	EA
11	016899	NT .375-16 FLKG5	10	EA
12	601982	CN .250-20X .150 MAX THK	5	EA
13	190189	SVC, CROSS SUPPOT	2	EA
14	190185	SVC, BRACKET FRONT	2	EA
15	190186	SVC, BRACKET HYDRO	2	EA
16	190187	SVC, BATTERY PAN	1	EA
17	552422	SVC, FOOT PAN	1	EA
18	552424	SVC, RS FRM CHNL	1	EA
19	190226	SVC, FRONT CROSS FRAME	1	EA
20	552423	SVC, LS FRM CHNL	1	EA
21	N/A	SERIAL NUMBER / SPEC DECAL	3	EA
22	601967	DECAL, ENGINE COMPART	1	EA
23	605782	DECAL, LEVEL FUEL BLOWM	1	EA
24	601981	DECAL, SAFE OPERATE-GRAY	1	EA
25	604307	MOUNT, PUSH BUTTON	6	EA
26	000331	WIRE TIE, SMALL/SHORT	6	EA
27	605073	DECAL, BUMPER	1	EA
28	602041	DECAL, HOT	1	EA

Comments for Page: 36" Frame—S/N 16050225 & Higher

jmumford@excelii.com on Mar 22, 2017

1. Serial number decal. In the event the serial number decal becomes damaged or illegible, please contact your dealer to order a replacement.
2. EPA compliance decal.
3. Patent numbers decal.
4. Torque all hardware to a minimum of 33 ft-lbs.
5. The bumper, engine plate, foot pan and LS & RS frame channels include decals.

Frame & Fenders



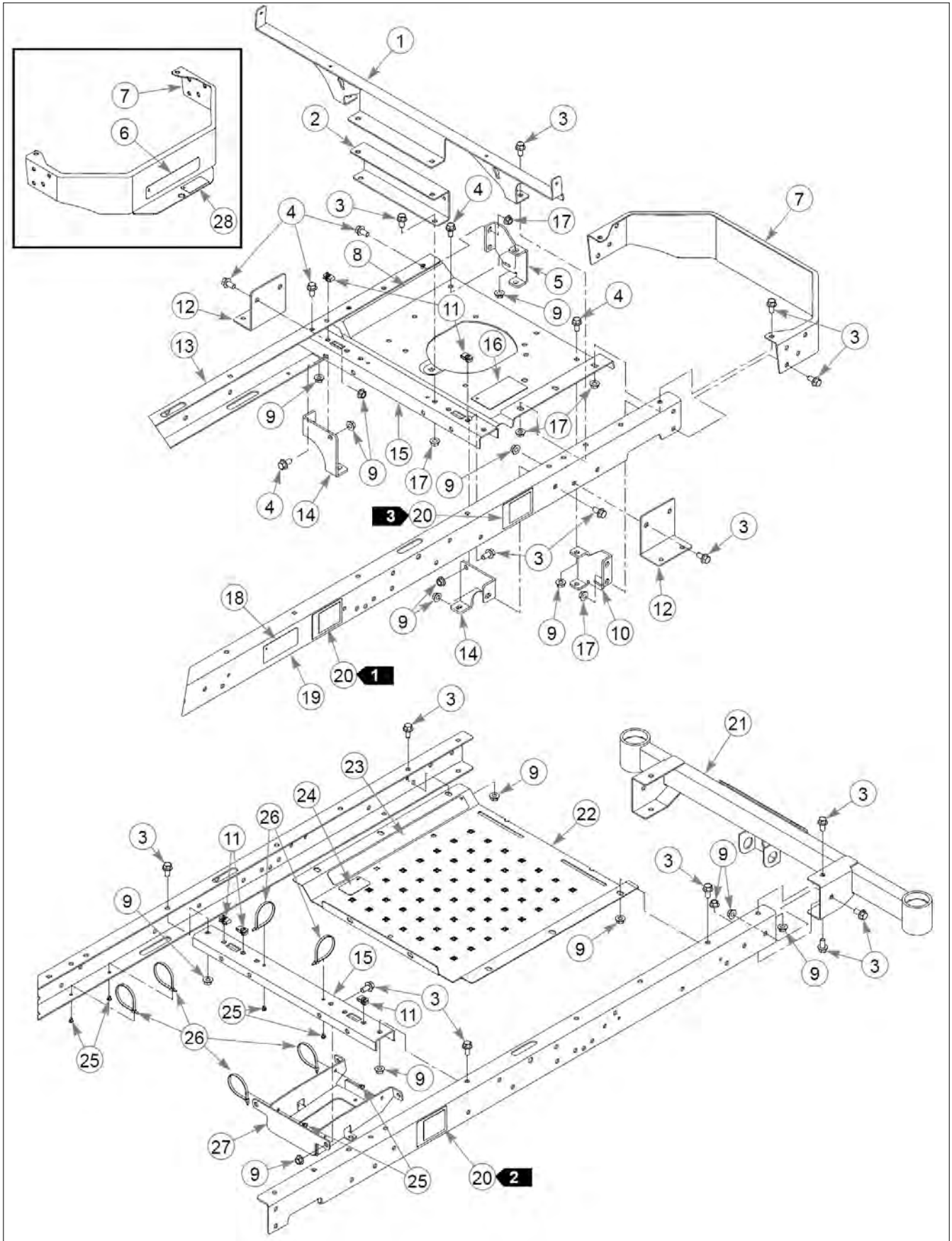
Item	Part No.	Name	Qty	Uom
1	123637-3	SEAT SUPPORT	1	EA
2	029629	CS .375-16X0.750FLK	10	EA
3	123636-3	SPRING SUPPORT	1	EA
4	552420	SVC, BUMPER	1	EA
5	602041	DECAL, HOT	1	EA
6	604176	CS .375-16x.75 HXFLK PLN	30	EA
7	552421	SVC, ENGINE PLATE	1	EA
8	190183	SVC, BRACKET RH REAR	1	EA
9	604177	NT .375-16 HXFLK PLN	30	EA
10	600899	DECAL, PUMP BELT WARNING	1	EA
11	190184	SVC, BRACKET LH REAR	1	EA
12	016899	NT .375-16 FLKG5	10	EA
13	601982	CN .250-20X .150 MAX THK	5	EA
14	190189	SVC, CROSS SUPPOT	2	EA
15	190185	SVC, BRACKET FRONT	2	EA
16	190186	SVC, BRACKET HYDRO	2	EA
17	190187	SVC, BATTERY PAN	1	EA
18	552422	SVC, FOOT PAN	1	EA
19	552424	SVC, RS FRM CHNL	1	EA
20	190226	SVC, FRONT CROSS FRAME	1	EA
21	552423	SVC, LS FRM CHNL	1	EA
22	N/A	SERIAL NUMBER / SPEC DECAL	3	EA
23	601967	DECAL, ENGINE COMPART	1	EA
24	605782	DECAL, LEVEL FUEL BLOWM	1	EA
25	601981	DECAL, SAFE OPERATE-GRAY	1	EA
26	604307	MOUNT, PUSH BUTTON	6	EA
27	000331	WIRE TIE, SMALL/SHORT	6	EA
28	605073	DECAL, BUMPER	1	EA

Comments for Page: 36" Frame—SN Prior to 16050225

jmumford@excelii.com on Jul 8, 2016

1. Serial number decal. In the event the serial number tag becomes damaged or illegible, please contact your dealer to order a replacement.
2. EPA compliance decal.
3. Patent numbers decal.
4. Torque all hardware to a minimum of 33 ft-lbs.
5. The bumper, engine plate, foot pan and frame channels include decals.

Frame & Fenders



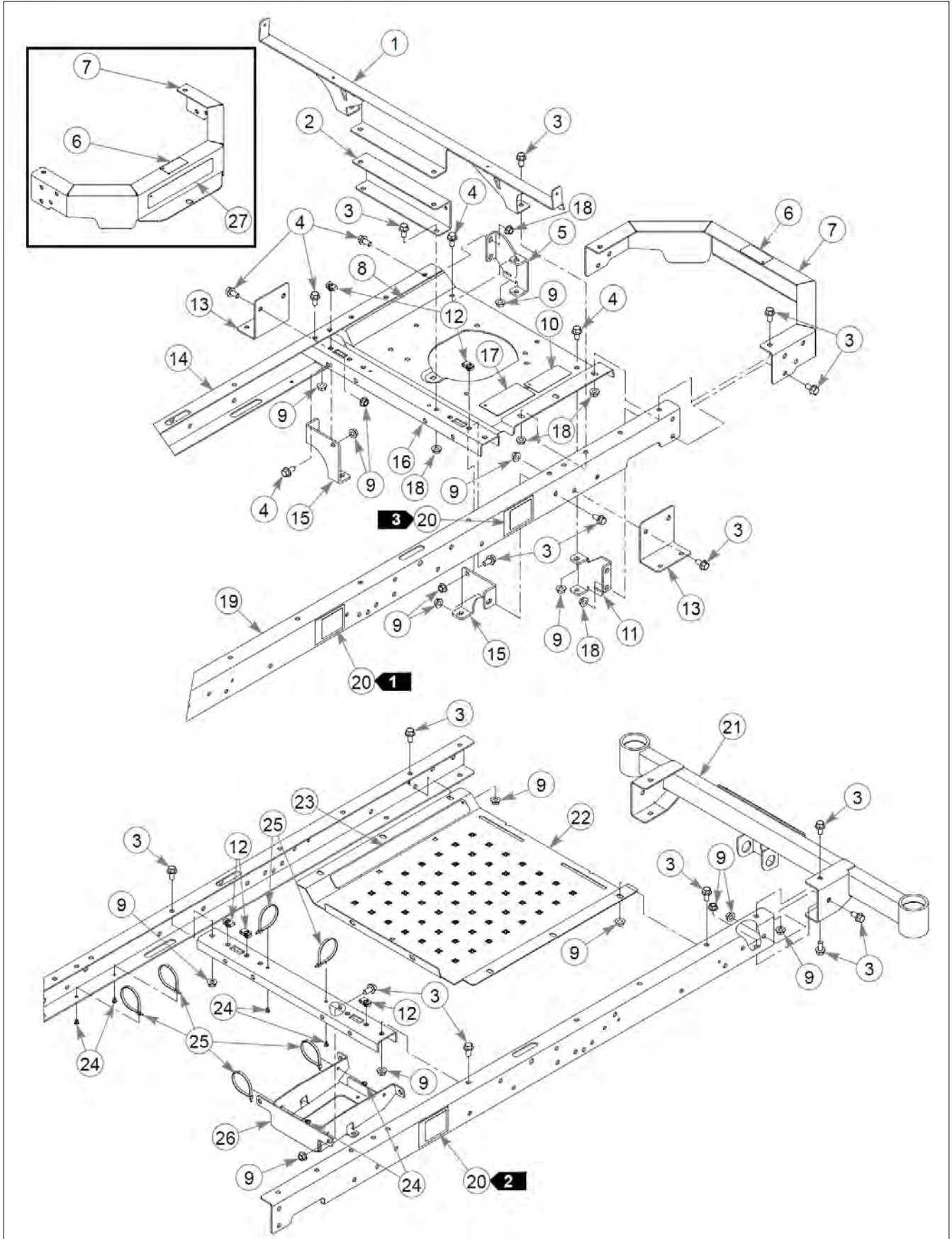
Item	Part No.	Name	Qty	Uom
1	123637-3	SEAT SUPPORT	1	EA
2	123636-3	SPRING SUPPORT	1	EA
3	029629	CS .375-16X0.750FLK	10	EA
4	604176	CS .375-16x.75 HXFLK PLN	30	EA
5	190183	SVC, BRACKET RH REAR	1	EA
6	602041	DECAL, HOT	1	EA
7	553643	SVC, BUMPER ALPHA & MP	1	EA
8	552421	SVC, ENGINE PLATE	1	EA
9	604177	NT .375-16 HXFLK PLN	30	EA
10	190184	SVC, BRACKET LH REAR	1	EA
11	601982	CN .250-20X .150 MAX THK	5	EA
12	190186	SVC, BRACKET HYDRO	2	EA
13	552424	SVC, RS FRM CHNL	1	EA
14	190185	SVC, BRACKET FRONT	2	EA
15	190189	SVC, CROSS SUPPOT	2	EA
16	600899	DECAL, PUMP BELT WARNING	1	EA
17	016899	NT .375-16 FLKG5	10	EA
18	552423	SVC, LS FRM CHNL	1	EA
19	601967	DECAL, ENGINE COMPART	1	EA
20	N/A	SERIAL NUMBER / SPEC DECAL	3	EA
21	190188	SVC, FRONT CROSS FRAME	1	EA
22	552422	SVC, FOOT PAN	1	EA
23	601981	DECAL, SAFE OPERATE-GRAY	1	EA
24	605782	DECAL, LEVEL FUEL BLOWM	1	EA
25	604307	MOUNT, PUSH BUTTON	6	EA
26	000331	WIRE TIE, SMALL/SHORT	6	EA
27	190187	SVC, BATTERY PAN	1	EA
28	605073	DECAL, BUMPER	1	EA

Comments for Page: 42" & 52" Frame—S/N 16053188 & Higher

jmumford@excelii.com on Jan 28, 2016

1. Serial number decal. In the event the serial number decal becomes damaged or illegible, please contact your dealer to order a replacement.
2. EPA compliance decal.
3. Patent numbers decal.
4. Torque all hardware to a minimum of 33 ft-lbs.
5. The bumper, engine plate, foot pan and frame channels include decals.

Frame & Fenders



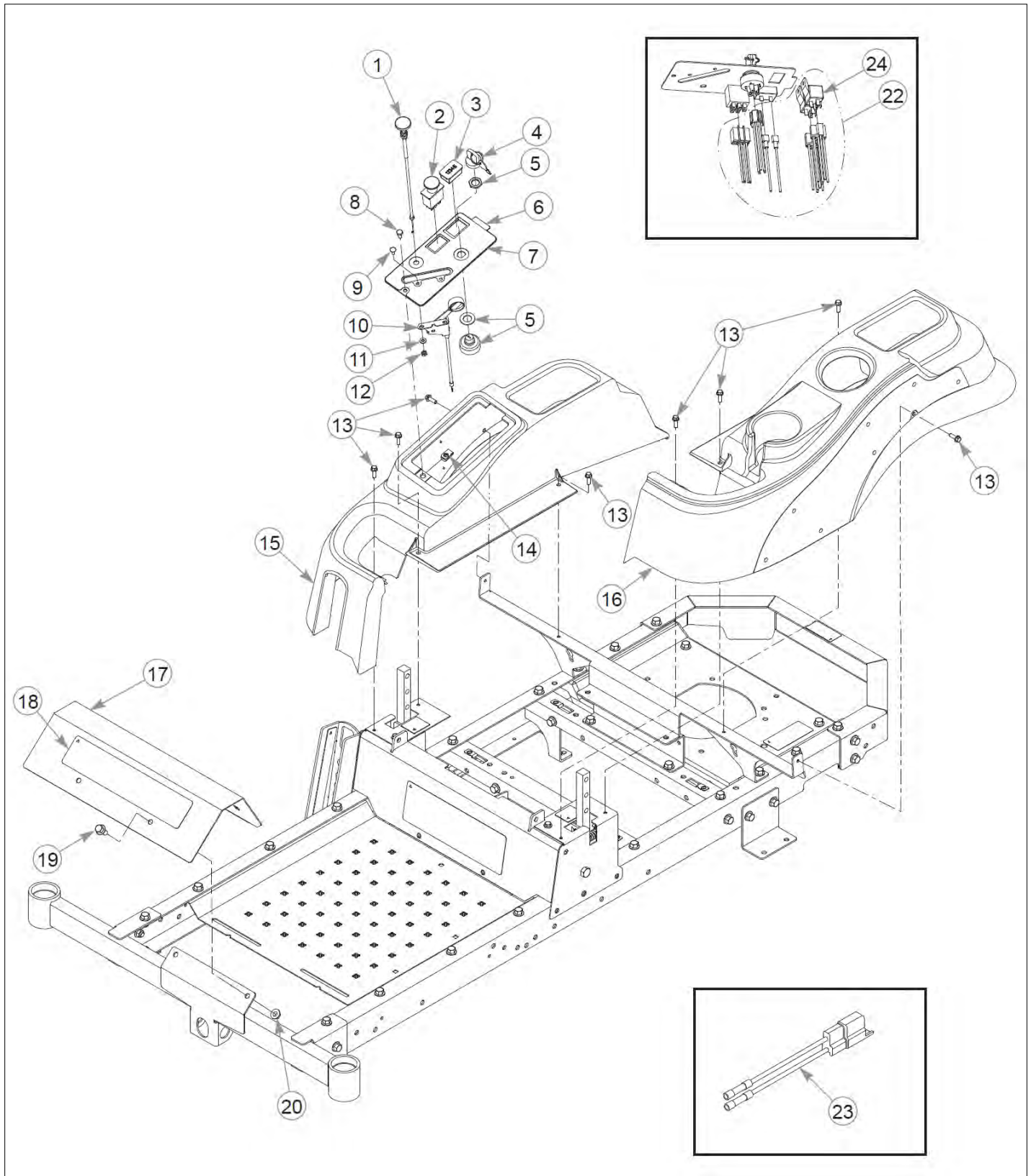
Item	Part No.	Name	Qty	Uom
1	123637-3	SEAT SUPPORT	1	EA
2	123636-3	SPRING SUPPORT	1	EA
3	029629	CS .375-16X0.750FLK	10	EA
4	604176	CS .375-16x.75 HXFLK PLN	30	EA
5	190183	SVC, BRACKET RH REAR	1	EA
6	602041	DECAL, HOT	1	EA
7	552420	SVC, BUMPER	1	EA
8	552421	SVC, ENGINE PLATE	1	EA
9	604177	NT .375-16 HXFLK PLN	30	EA
10	601967	DECAL, ENGINE COMPART	1	EA
11	190184	SVC, BRACKET LH REAR	1	EA
12	601982	CN .250-20X .150 MAX THK	5	EA
13	190186	SVC, BRACKET HYDRO	2	EA
14	552424	SVC, RS FRM CHNL	1	EA
15	190185	SVC, BRACKET FRONT	2	EA
16	190189	SVC, CROSS SUPPOT	2	EA
17	600899	DECAL, PUMP BELT WARNING	1	EA
18	016899	NT .375-16 FLKG5	10	EA
19	552423	SVC, LS FRM CHNL	1	EA
20	N/A	SERIAL NUMBER / SPEC DECAL	3	EA
21	190188	SVC, FRONT CROSS FRAME	1	EA
22	552422	SVC, FOOT PAN	1	EA
23	601981	DECAL, SAFE OPERATE-GRAY	1	EA
24	604307	MOUNT, PUSH BUTTON	6	EA
25	000331	WIRE TIE, SMALL/SHORT	6	EA
26	190187	SVC, BATTERY PAN	1	EA
27	605073	DECAL, BUMPER	1	EA

Comments for Page: 42" & 52" Frame—S/N Prior to 16053188

jmumford@excelii.com on Jul 8, 2016

1. Serial number decal. In the event the serial number decal becomes damaged or illegible, please contact your dealer to order a replacement.
2. EPA compliance decal.
3. Patent numbers decal.
4. Torque all hardware to a minimum of 33 ft-lbs.
5. The bumper, engine plate, foot pan and frame channels include decals.

Frame & Fenders



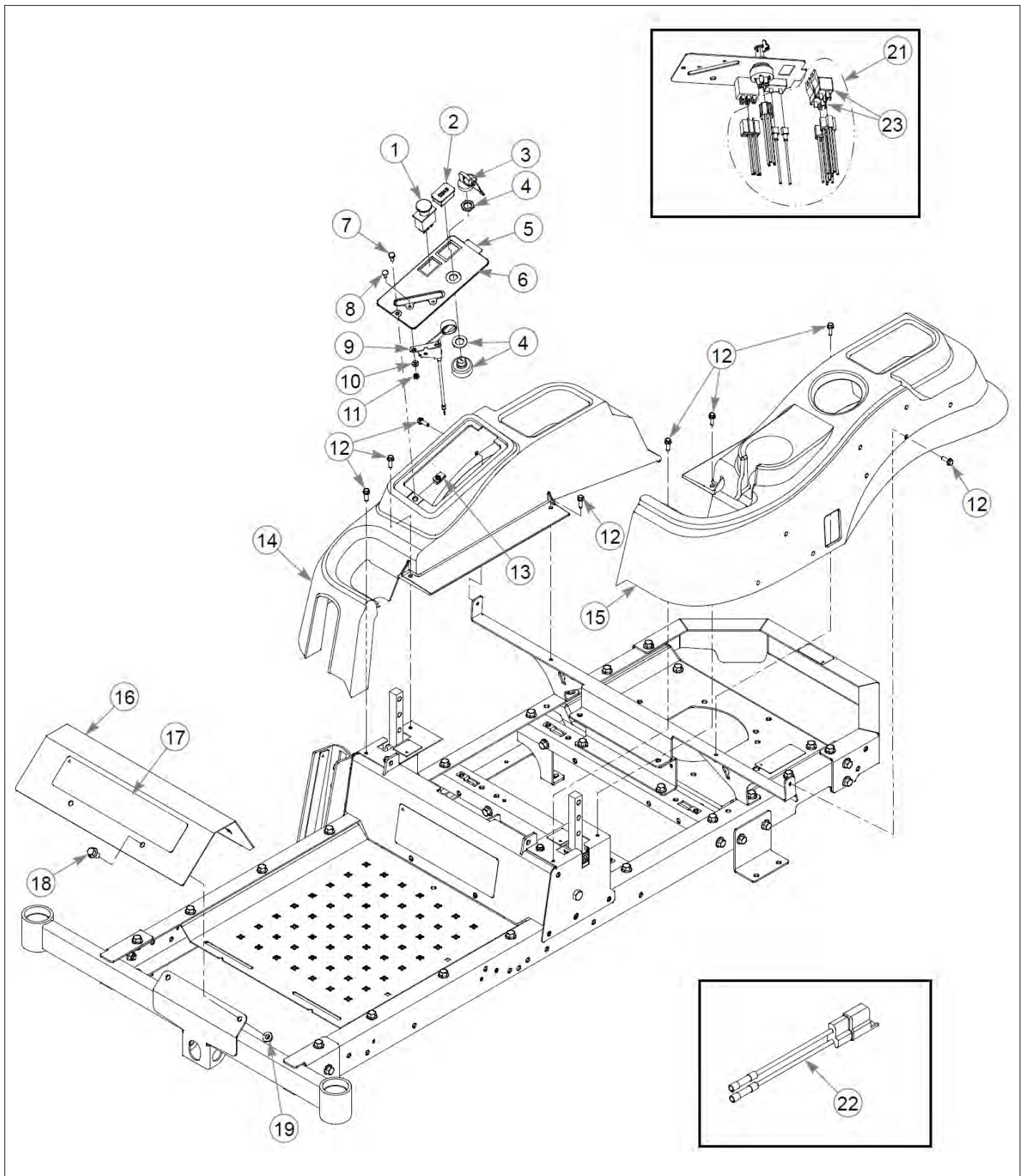
Item	Part No.	Name	Qty	Uom
1	601097	CABLE, CHOKE	1	EA
2	776476	SWITCH, PTO 6201-321	1	EA
3	769166	HOUR METER	1	EA
4	605808	KEY AND RING BIGDOG	1	EA
5	045898	IGNITION SWITCH	1	EA
6	552300	SERVICE, INSTR PANEL	1	EA
7	604889	DECAL, INSTRUMENT PANEL	1	EA
8	055947	CS .250X20X0.500HXG5	1	EA
9	601098	CB 10-24 X .500 ZYNC	2	EA
10	601096	CABLE, THROTTLE	1	EA
11	704932	FW 0.219X0.500X0.048	2	EA
12	059832	NT #10-24 HX NL ZN	2	EA
13	604324	CS .250-20 X .75 HX FLG	8	EA
14	601982	CN .250-20X .150 MAX THK	1	EA
15	605083	FENDER ASSY, RH	1	EA
16	605082	FENDER ASSY, LH	1	EA
17	552432	SVC, FOOTREST	1	EA
18	605072	DECAL, FOOT REST	1	EA
19	029629	CS .375-16X0.750FLK	2	EA
20	016899	NT .375-16 FLKG5	2	EA
21	000331	WIRE TIE, SMALL/SHORT	2	EA
22	604876	WIRE HARNESS	1	EA
23	114052	KIT, CLUTCH CONN. REP.	1	EA
24	601053	RELAY, SEALED W/BRACKET	2	EA

Comments for Page: Fenders & Instrument Panel - Kawasaki Engines

jmumford@excelii.com on Feb 3, 2014

1. The instrument panel (552300) includes the decal (604889).
2. The footrest (552432) includes the decal (605072).
3. The relay (601053) includes a bracket.

Frame & Fenders



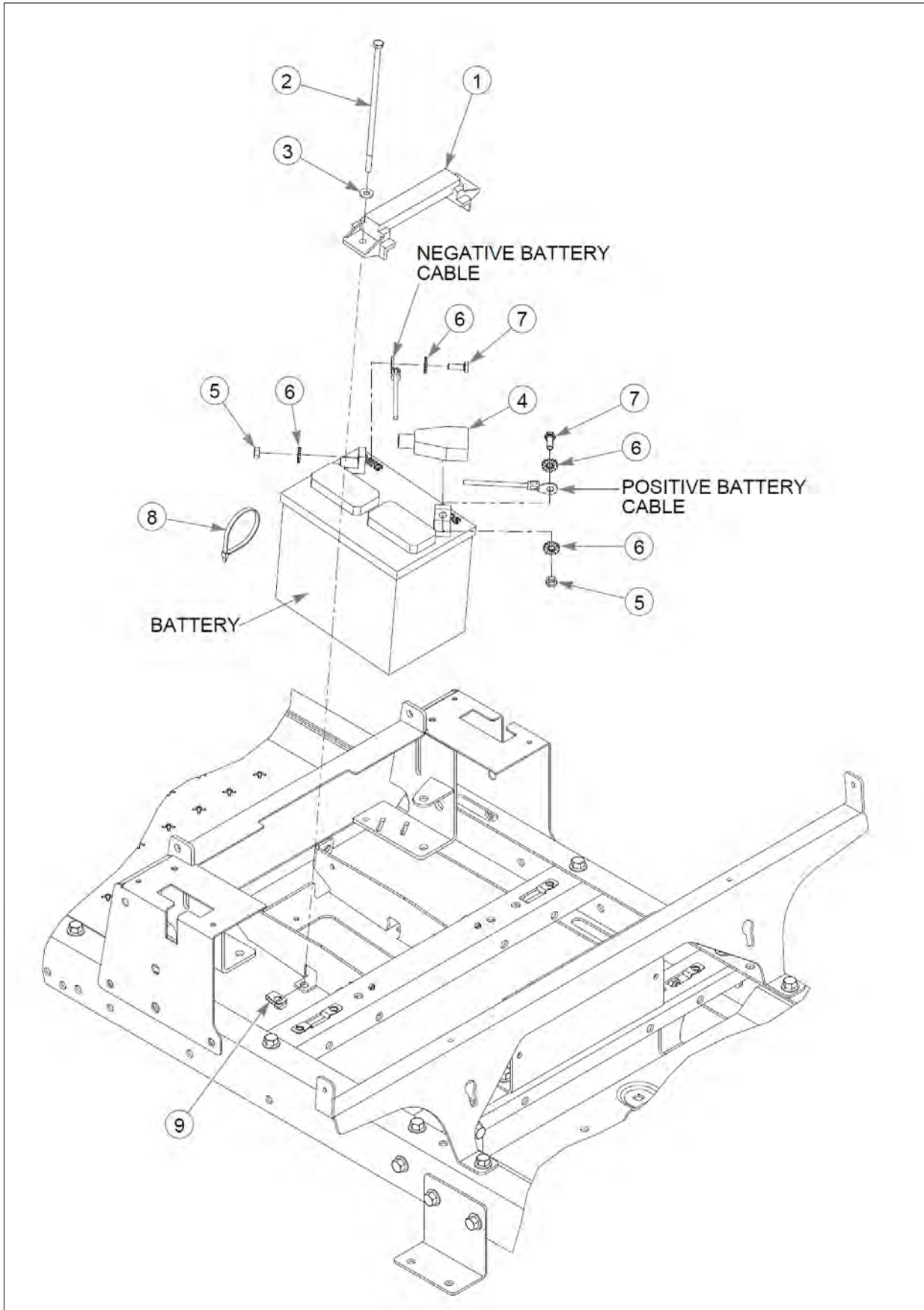
Item	Part No.	Name	Qty	Uom
1	776476	SWITCH, PTO 6201-321	1	EA
2	769166	HOUR METER	1	EA
3	605808	KEY AND RING BIGDOG	1	EA
4	045898	IGNITION SWITCH	1	EA
5	553214	SERVICE INSTRUMENT PANEL	1	EA
6	605996	DECAL, INSTRUMENT PANEL	1	EA
7	055947	CS .250X20X0.500HXG5	1	EA
8	601098	CB 10-24 X .500 ZYNC	2	EA
9	768879	CABLE, THROTTLE	1	EA
10	704932	FW 0.219X0.500X0.048	2	EA
11	059832	NT #10-24 HX NL ZN	2	EA
12	604324	CS .250-20 X .75 HX FLG	8	EA
13	601982	CN .250-20X .150 MAX THK	1	EA
14	605083	FENDER ASSY, RH	1	EA
15	605082	FENDER ASSY, LH	1	EA
16	552432	SVC, FOOTREST	1	EA
17	605072	DECAL, FOOT REST	1	EA
18	029629	CS .375-16X0.750FLK	2	EA
19	016899	NT .375-16 FLKG5	2	EA
20	000331	WIRE TIE, SMALL/SHORT	1	EA
21	605835	WIRE HARNESS	1	EA
22	114052	KIT, CLUTCH CONN. REP.	1	EA
23	601053	RELAY, SEALED W/BRACKET	2	EA

Comments for Page: Fenders & Instrument Panel - Kohler Engines

jmumford@excelii.com on Jul 2, 2015

1. The instrument panel (553214) includes the decal (605996).
2. The footrest (552432) includes the decal (605072).
3. The relay (601053) includes a bracket.

Frame & Fenders



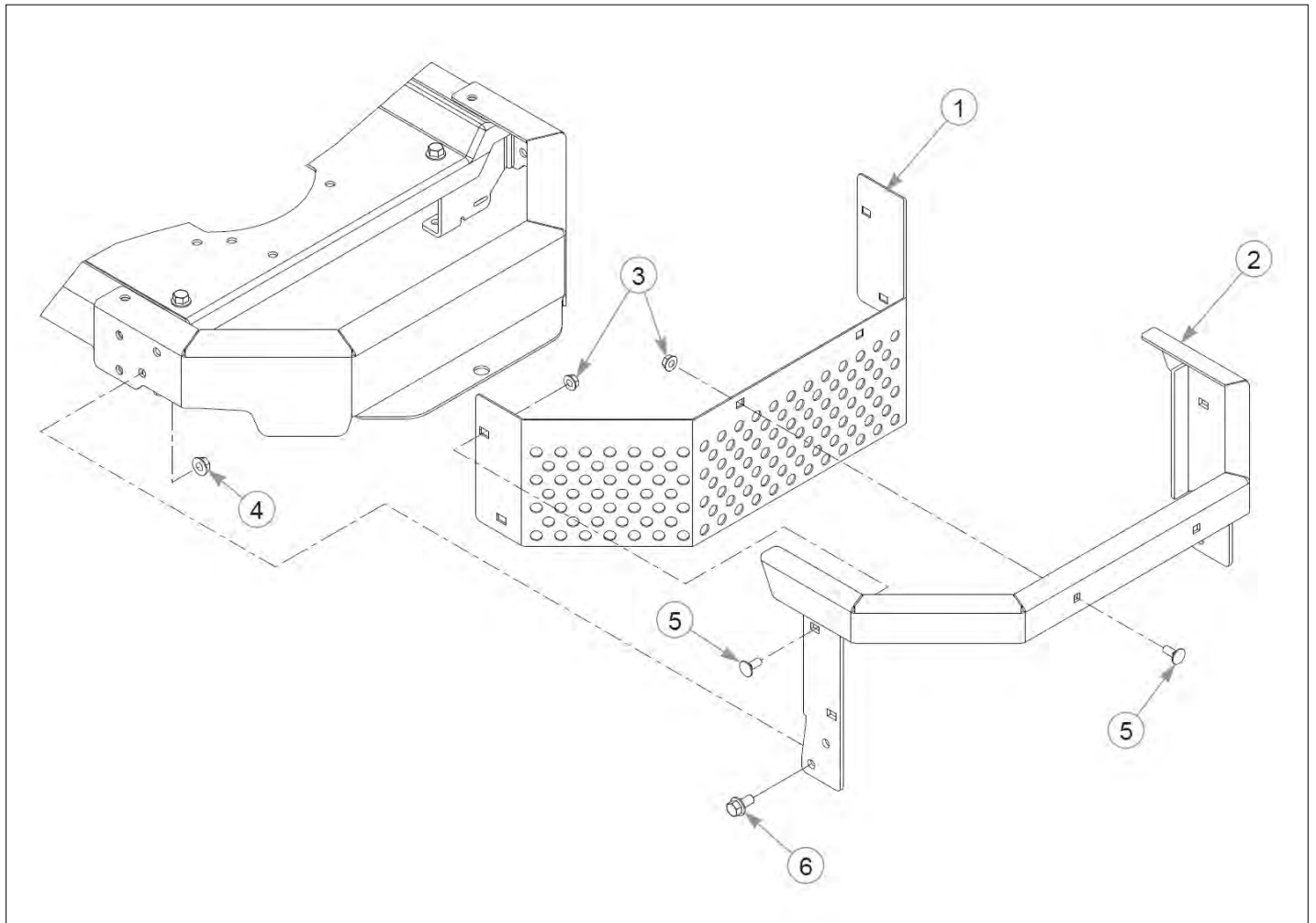
Item	Part No.	Name	Qty	Uom
1	604178	STRAP, TIE DOWN	1	EA
2	604465	CS .250-20 x 7.50 HX G5	2	EA
3	768515	FW 0.281SAE	2	EA
4	771428	BATTERY CBL BOOT-RED(FS)	1	EA
5	024927	NT .250-20HXG5	2	EA
6	029868	LW0.250INTEXT	4	EA
7	055939	CS .250-20X0.750HXG5	2	EA
8	000331	WIRE TIE, SMALL/SHORT	2	EA
9	601982	CN .250-20X .150 MAX THK	2	EA

Comments for Page: Battery

jmumford@excelsii.com on Apr 17, 2014

1. When performing service on the mower, disconnect the negative battery cable and do not reconnect it to the battery until the engine is ready to be started.

Frame & Fenders



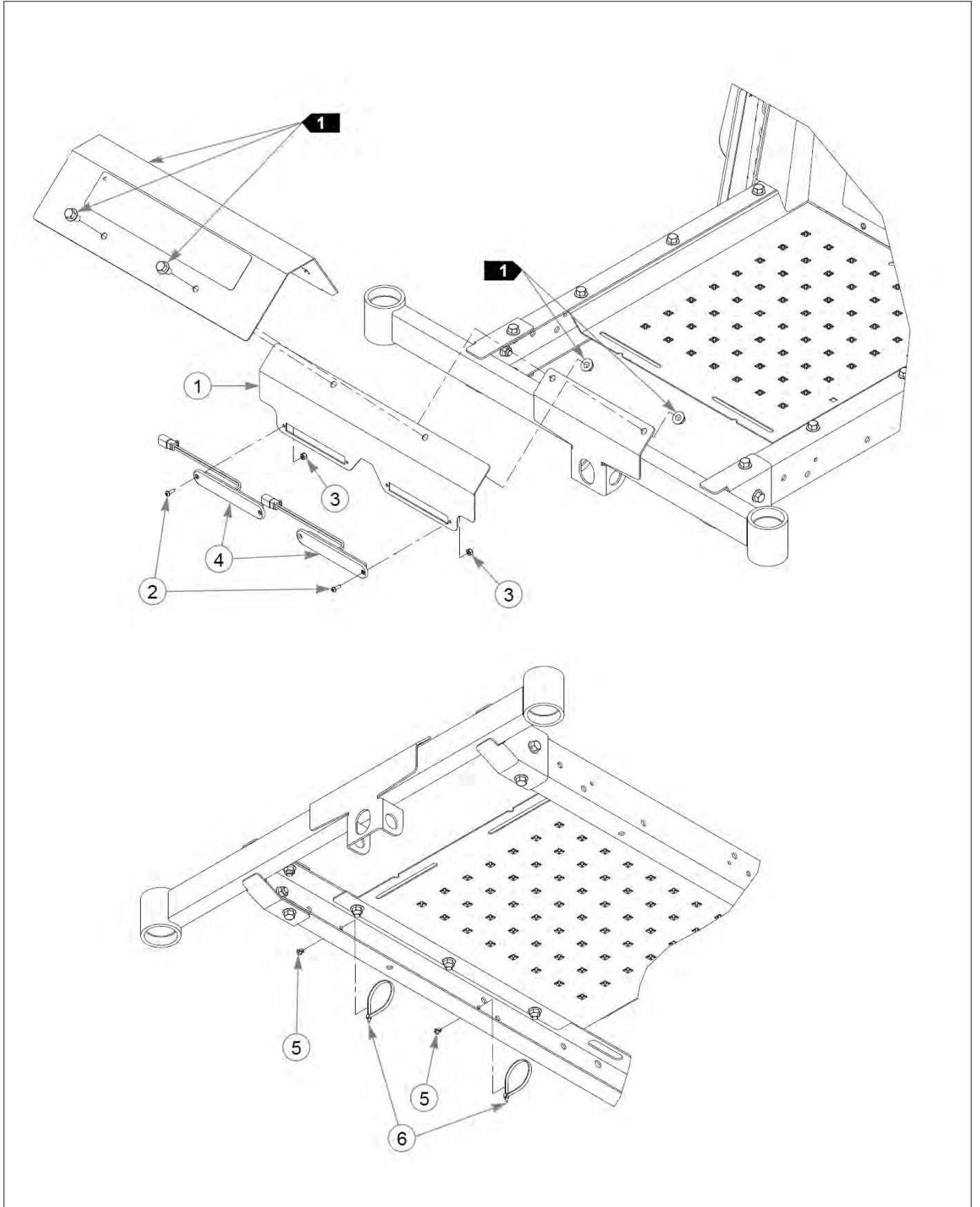
Item	Part No.	Name	Qty	Uom
1	119236	SCREEN, ENGINE GUARD	1	EA
2	190327	ENGINE GUARD	1	EA
Not Shown	119603	KIT, ENGINE GUARD	1	EA
3	016832	NT .312-18FLKG5	6	EA
4	016899	NT .375-16 FLKG5	4	EA
5	016253	CB .312-18X .750 FUL ZN	6	EA
6	029629	CS .375-16X0.750FLK	4	EA

Comments for Page: Engine Guard

jmumford@excelii.com on May 5, 2016

1. 190327 is used on mowers S/N 16050000 & higher. 119603 is used on mowers S/N prior to 16050000.

Frame & Fenders



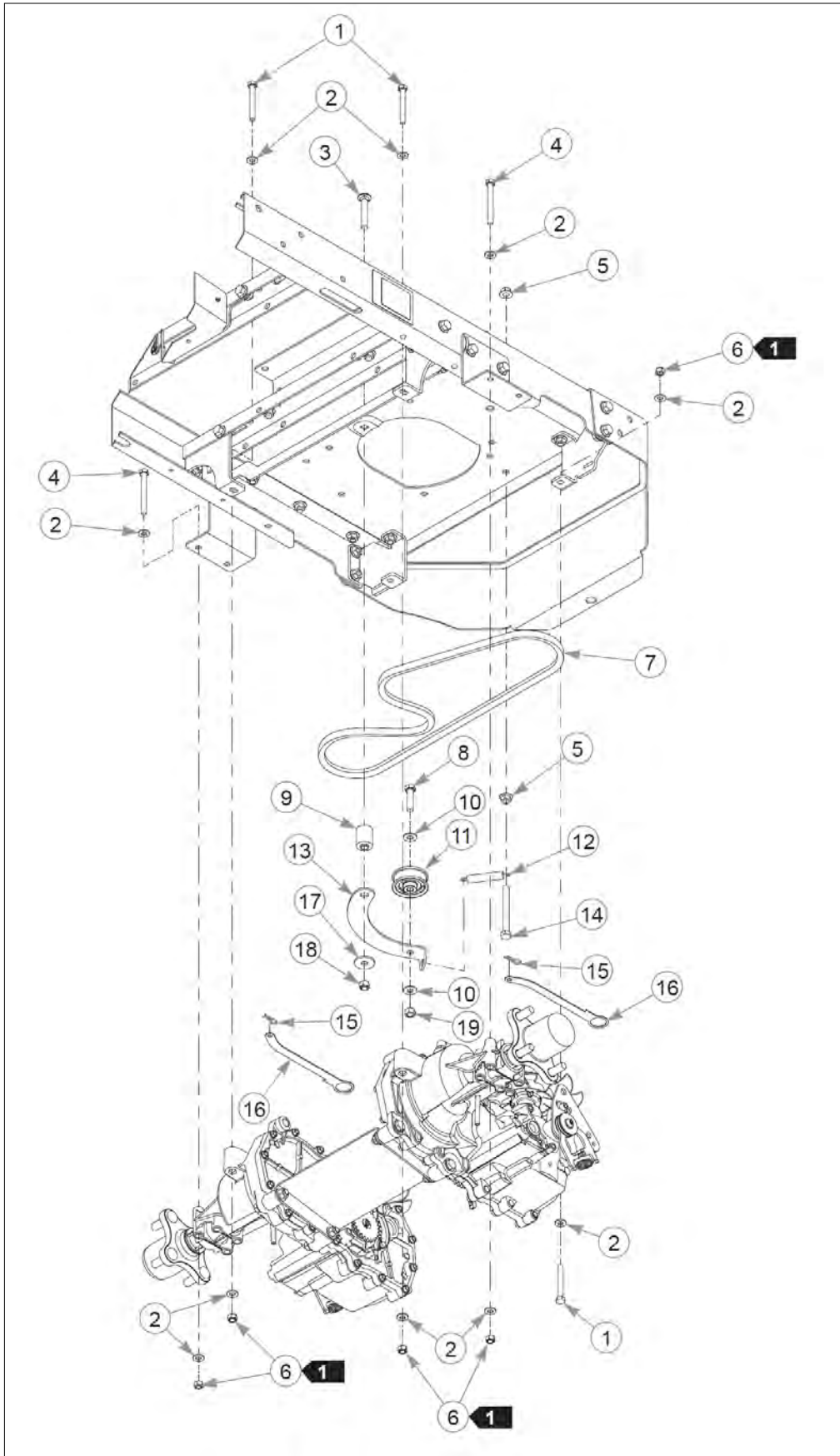
Item	Part No.	Name	Qty	Uom
1	190181	ANGLE, LIGHT RED	1	EA
2	605209	CS #8-32X.500 PH TRX	4	EA
3	605208	NT #8-32 HX NL ZN	4	EA
4	605003	LIGHT	2	EA
5	604307	MOUNT, PUSH BUTTON	2	EA
6	000331	WIRE TIE, SMALL/SHORT	4	EA
7	000430	WIRE TIE, SMALL/LONG	1	EA
8	605010	WIRE HARNESS, LIGHT	1	EA

Comments for Page: Lights

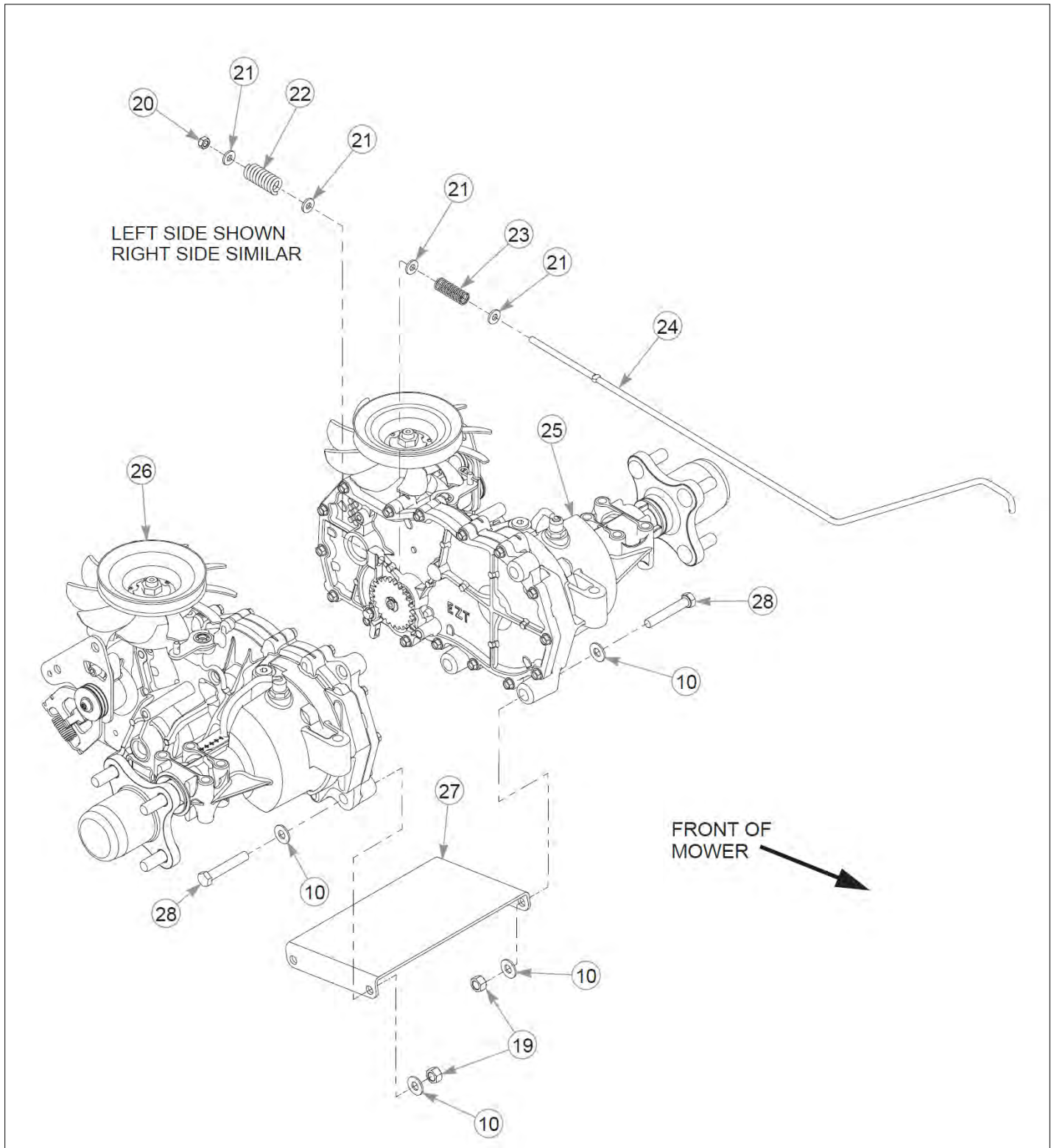
jmumford@excelii.com on Feb 3, 2014

1. Part of the Fender & Instrument Panel assembly.

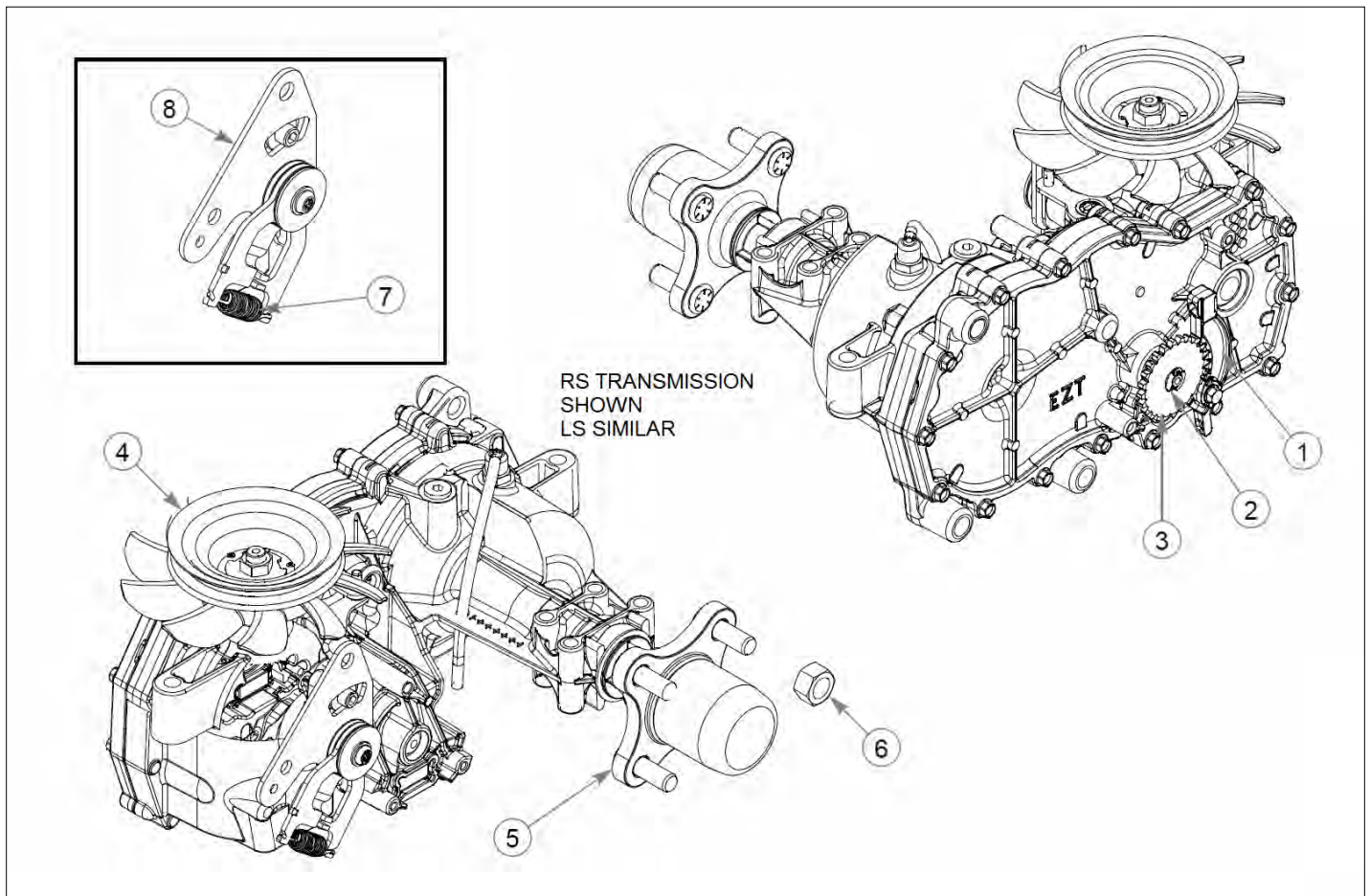
Transmission & Steering



Item	Part No.	Name	Qty	Uom
1	710087	CS .312-18X2.500HXG5	4	EA
2	768523	FW 0.343SAE	16	EA
3	604343	CB .375-16 X 2.25 STD ZN	1	EA
4	043067	CS .312-18X3.000HXG5	4	EA
5	016899	NT .375-16 FLKG5	2	EA
6	058776	NT .312-18NLG5	8	EA
7	603907	BELT, DRIVE	1	EA
8	080655	CS .375-16X1.500HXG5	1	EA
9	116289	SPACER, PIVOT IDLER	1	EA
10	767954	FW 0.379 x 0.813 x 0.063	10	EA
11	604491	PULLEY, 2.0" IDLER	1	EA
12	604490	SPRING, 3.00 X .50 EXT	1	EA
13	116287	IDLER ARM	1	EA
14	005108	CS .375-16X3.500HXG5	1	EA
15	706549	HP0.080X1.190	2	EA
16	116218	LINK, TOW VALVE	2	EA
17	712893	FW 0.406X1.250X0.120	1	EA
18	086660	NT .375-16NLG8	1	EA
19	054502	NT .375-16HXG5	5	EA
20	068551	NT .250-20 HXZY NL	2	EA
21	768515	FW 0.281SAE	8	EA
22	601051	OVERTRAVEL SPRING	2	EA
23	601131	SPRING, BRAKE ARM RET.	2	EA
24	116143	ROD, BRAKE ACTUATOR	2	EA
25	604128	EZT, 19.2:1 TRANS	1	EA
26	604127	EZT, 19.2:1 TRANS	1	EA
27	123634-3	CROSS BRACE, HYDROSTAT	1	EA
28	056036	CS .375-16X2.250HXG5	4	EA



Transmission & Steering



Item	Part No.	Name	Qty	Uom
1	795047	PARKING PAWL KIT, EZT	1	EA
2	798371	RING, RETAINING	1	EA
3	798363	GEAR, PARK BRAKE	1	EA
4	602094	FAN / PULLEY KIT	1	EA
5	601433	KIT, HUB 4 BOLT	1	EA
<p>Comments for Part Num. 601433</p> <p>brian on May 7, 2015</p> <p>CUSTOMER SERVICE NOTE:</p> <p>Lug Studs are not sold separately.</p>				
6	788877	NUT, H-G ZT HUB	1	EA
7	604903	HG RTN SPRING	1	EA
8	604901	HG RTN CW	1	EA
REF	604902	HG RTN CCW	1	EA

Comments for Page: Transmission Service Parts

jmumford@excelii.com on Feb 3, 2014

1. The hub kit includes the nuts.
2. 604901 is used on the right side transmission.
3. 604902 is used on the left side transmission.

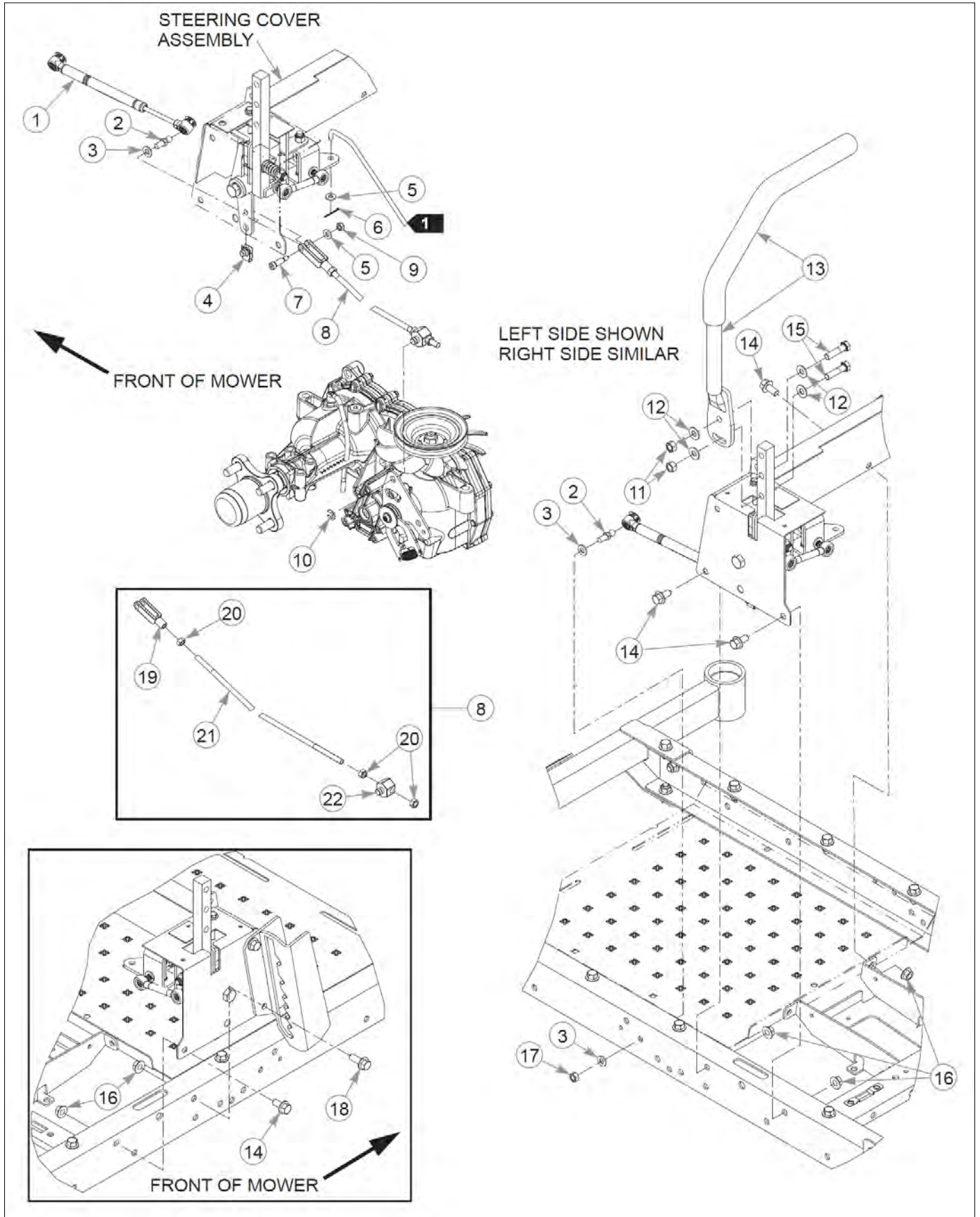
Item	Part No.	Name	Qty	Uom
1	603983	DAMPER	2	EA
2	781922	BALL STUD, DAMPER	4	EA
3	768523	FW 0.343SAE	6	EA
4	601069	CN .312-18x.200 MAX THK	2	EA
5	768515	FW 0.281SAE	4	EA
6	048553	CP .062DX1.000 LG HML Z	2	EA
7	772483	SB0.312X0.750SH0.250-20	2	EA
8	605273	STEERING ROD S/A	2	EA
9	068551	NT .250-20 HXZY NL	2	EA
10	023655	NT .312-24NLG5	2	EA
11	606575	CLIP E .66 X .303 X .035	2	EA
12	767954	FW 0.379 x 0.813 x 0.063	4	EA
13	110370	STEERING BAR W/ GRIP	2	EA
Not Shown	781260	GRIP, STEERING BAR	1	EA
14	029629	CS .375-16X0.750FLK	5	EA
15	36244	CS .375-16X1.000HXG5	4	EA
16	016899	NT .375-16 FLKG5	6	EA
17	034272	NT .312-18HXG5	2	EA
18	029751	CS .375-16X1.000 HXFLK	1	EA
19	604173	YOKE, 5/16-24	2	EA
20	041152	NT .312-24 HX ZNYC	6	EA
21	603905	ROD, STEERING	2	EA
22	116144	BLOCK, STEERING CONTROL	2	EA

Comments for Page: Steering & Brake—S/N 16053188 & Higher

jmumford@excelii.com on Jul 12, 2016

1. Part of the Hydraulic Assembly.
2. The steering bar includes the grip.

Transmission & Steering



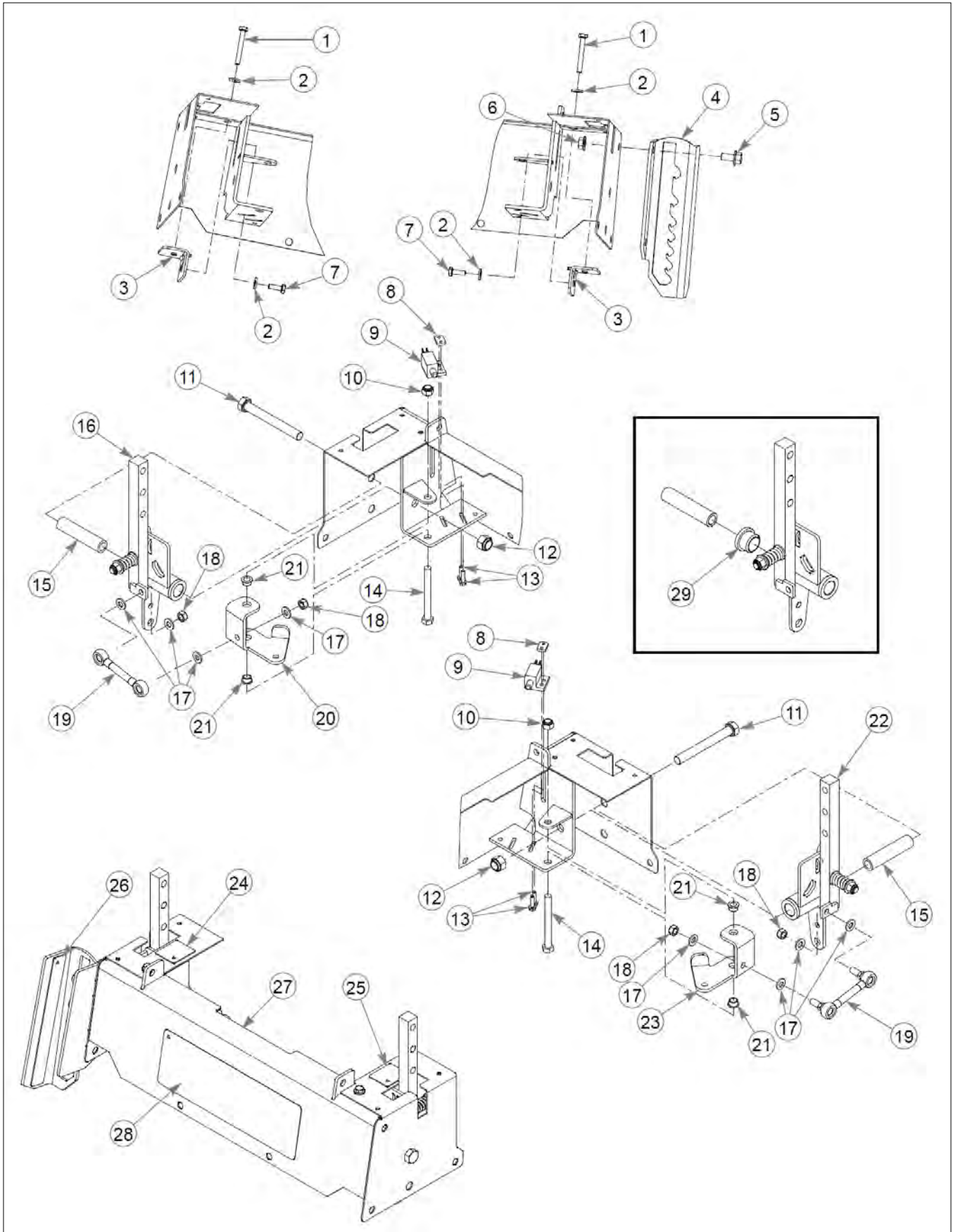
Item	Part No.	Name	Qty	Uom
1	603983	DAMPER	2	EA
2	781922	BALL STUD, DAMPER	4	EA
3	768523	FW 0.343SAE	6	EA
4	601069	CN .312-18x.200 MAX THK	2	EA
5	768515	FW 0.281SAE	4	EA
6	048553	CP .062DX1.000 LG HML Z	2	EA
7	772483	SB0.312X0.750SH0.250-20	2	EA
8	605273	STEERING ROD S/A	2	EA
9	068551	NT .250-20 HXZY NL	2	EA
10	603332	CLIP E .66 X .303 X .035	2	EA
11	054502	NT .375-16HXG5	4	EA
12	767954	FW 0.379 x 0.813 x 0.063	8	EA
13	110370	STEERING BAR W/ GRIP	2	EA
Not Shown	781260	GRIP, STEERING BAR	1	EA
14	029629	CS .375-16X0.750FLK	5	EA
15	080655	CS .375-16X1.500HXG5	4	EA
16	016899	NT .375-16 FLKG5	6	EA
17	034272	NT .312-18HXG5	2	EA
18	029751	CS .375-16X1.000 HXFLK	1	EA
19	604173	YOKE, 5/16-24	2	EA
20	041152	NT .312-24 HX ZNYC	6	EA
21	603905	ROD, STEERING	2	EA
22	116144	BLOCK, STEERING CONTROL	2	EA

Comments for Page: Steering & Brake—S/N Prior to 16053188

jmumford@excelii.com on Feb 3, 2014

1. Part of the Hydraulic Assembly.
2. The steering bar includes the grip.

Transmission & Steering



Item	Part No.	Name	Qty	Uom
1	604452	CS .250-20x2.00 HX FLTHD	2	EA
2	768515	FW 0.281SAE	4	EA
3	605529	STOP, STEERING	2	EA
4	551912	SERVICE, LATCH	1	EA
5	029629	CS .375-16X0.750FLK	1	EA
6	016899	NT .375-16 FLKG5	1	EA
7	055939	CS .250-20X0.750HXG5	2	EA
8	601822	NUT PLATE, .420 CENTERS	2	EA
9	781211	SWITCH, PUSH BUTTON	2	EA
10	086660	NT .375-16NLG8	2	EA
11	781708	CS .500-13X4.250HXG5	2	EA
12	781567	NT .500-13NLG5	2	EA
13	063198	CS #10-24X0.750FLKG5	4	EA
14	005108	CS .375-16X3.500HXG5	2	EA
15	604288	SPACER, STEERING	2	EA
16	606106	STEERING BOX SUB, LH	1	EA
Not Shown	604300	STEERING BOX SUB, LH	1	EA
17	768523	FW 0.343SAE	8	EA
18	058776	NT .312-18NLG5	4	EA
19	604179	BRAKE LINK	2	EA
20	116142	BRAKE BLCRNK, LH	1	EA
21	765339	BUSHING,IGUS#0608 (FS)	4	EA
22	606105	STEERING BOX SUB, RH	1	EA
Not Shown	604299	STEERING BOX SUB, RH	1	EA
23	116141	BRAKE BLCRNK, RH	1	EA
24	785220	DECAL, STEERING R.S.	1	EA
25	785139	DECAL, STEERING L.S.	1	EA
26	604275	DECAL, DECK HEIGHT	1	EA

Item	Part No.	Name	Qty	Uom
27	552456	SVC, STEERING S/A	1	EA
28	605074	DECAL, KICK PAN	1	EA
29	781153	BUSHING, UHMW	2	EA

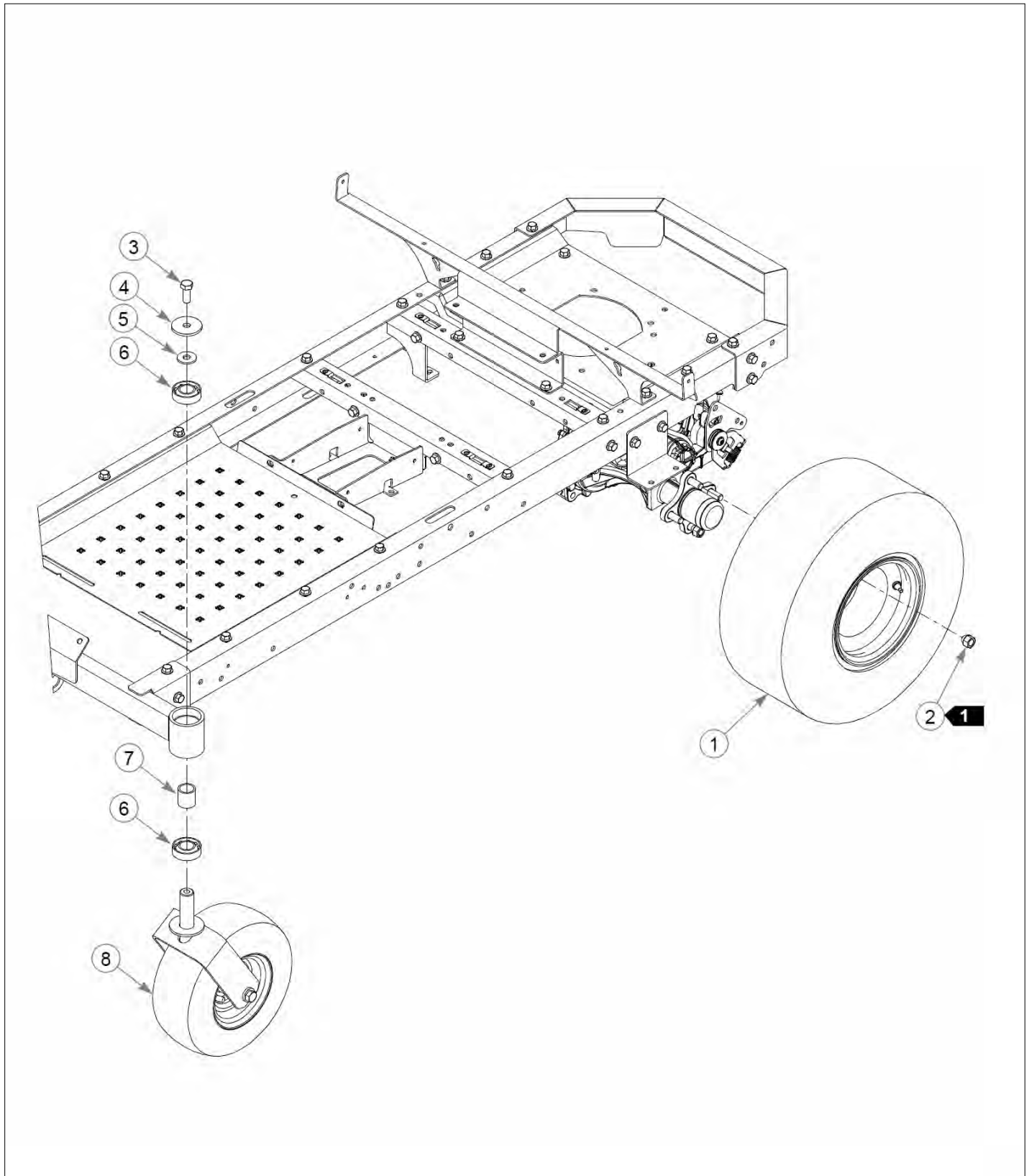
Comments for Page: Steering Cover Assembly

jmumford@excelii.com on Jul 8, 2016

1. 606105 and 606106 are used on mowers S/N 16053188 & higher.

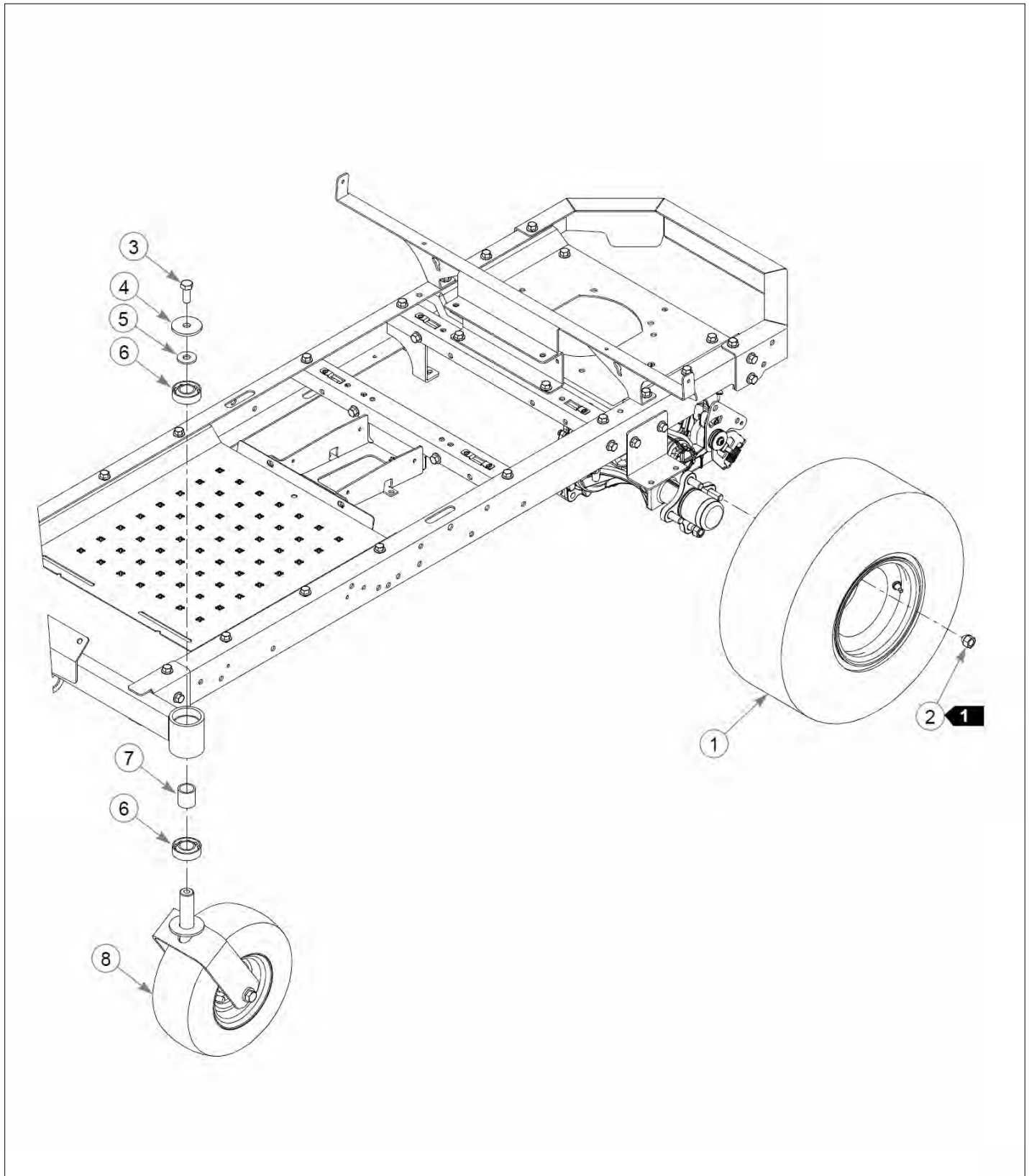
604299 and 604300 are used on mowers S/N prior to 16053188.

Wheels & Tires



Item	Part No.	Name	Qty	Uom
1	605263	TIRE/WHEEL ASSY 18X7.0-8	2	EA
2	061077	WHEEL NUT	8	EA
3	705954	CS .500-13X1.250HSG5	2	EA
4	344267	FW .510X 2.15X.187 SPL	2	EA
5	712976	FW 0.531X1.375X0.125	2	EA
6	784223	BEARING	4	EA
7	784603	SPACER	2	EA
8	N/A	FRONT WHEEL ASSEMBLY	1	EA

Wheels & Tires



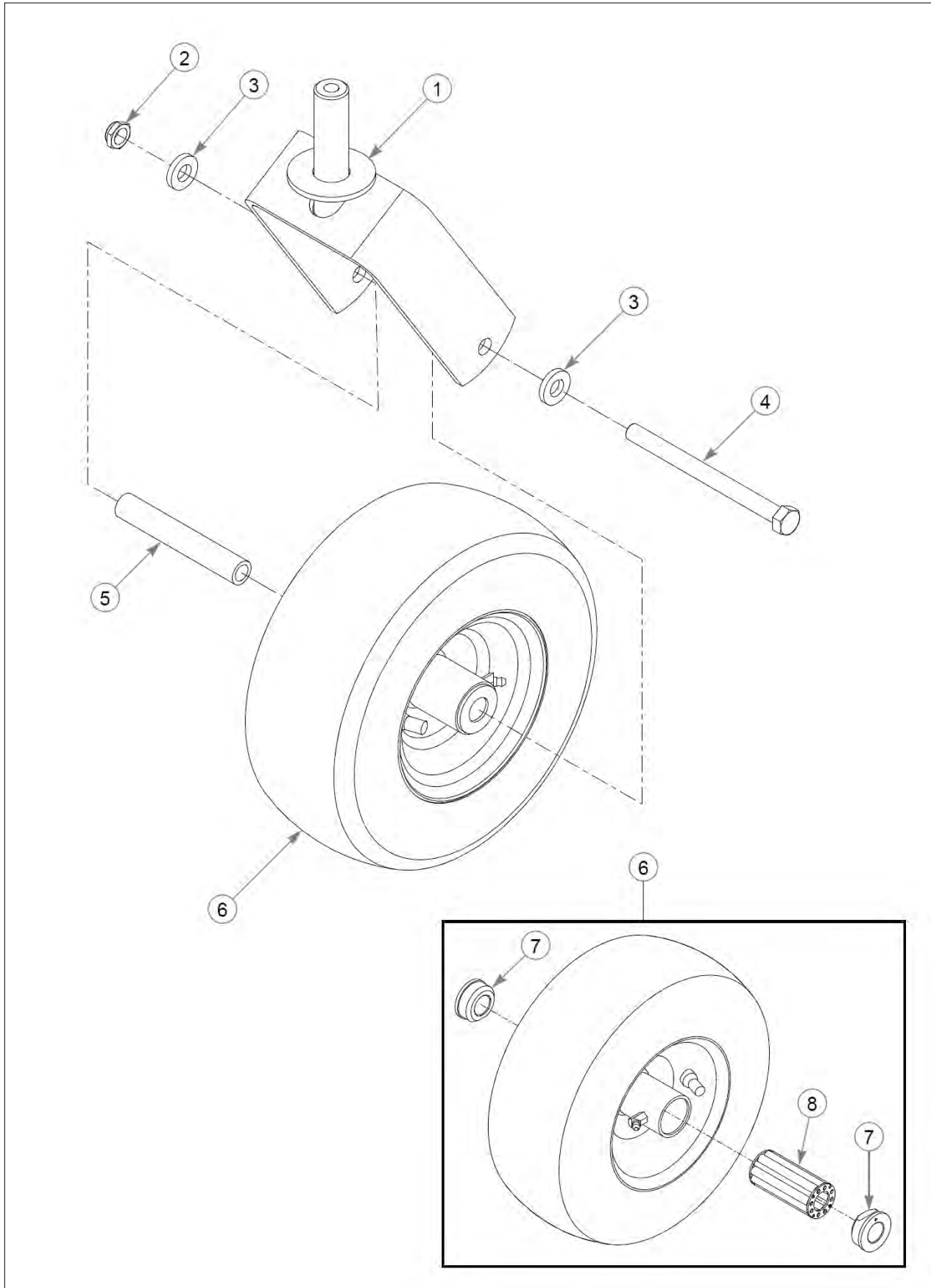
Item	Part No.	Name	Qty	Uom
1	604963	TIRE/WHEEL 18X8.5-8	2	EA
2	061077	WHEEL NUT	8	EA
3	705954	CS .500-13X1.250HSG5	2	EA
4	344267	FW .510X 2.15X.187 SPL	2	EA
5	712976	FW 0.531X1.375X0.125	2	EA
6	784223	BEARING	4	EA
7	784603	SPACER	2	EA
8	N/A	FRONT WHEEL ASSEMBLY	1	EA

Comments for Page: Wheel & Tire - 42" & 52" Mowers

jmumford@excelii.com on Feb 3, 2014

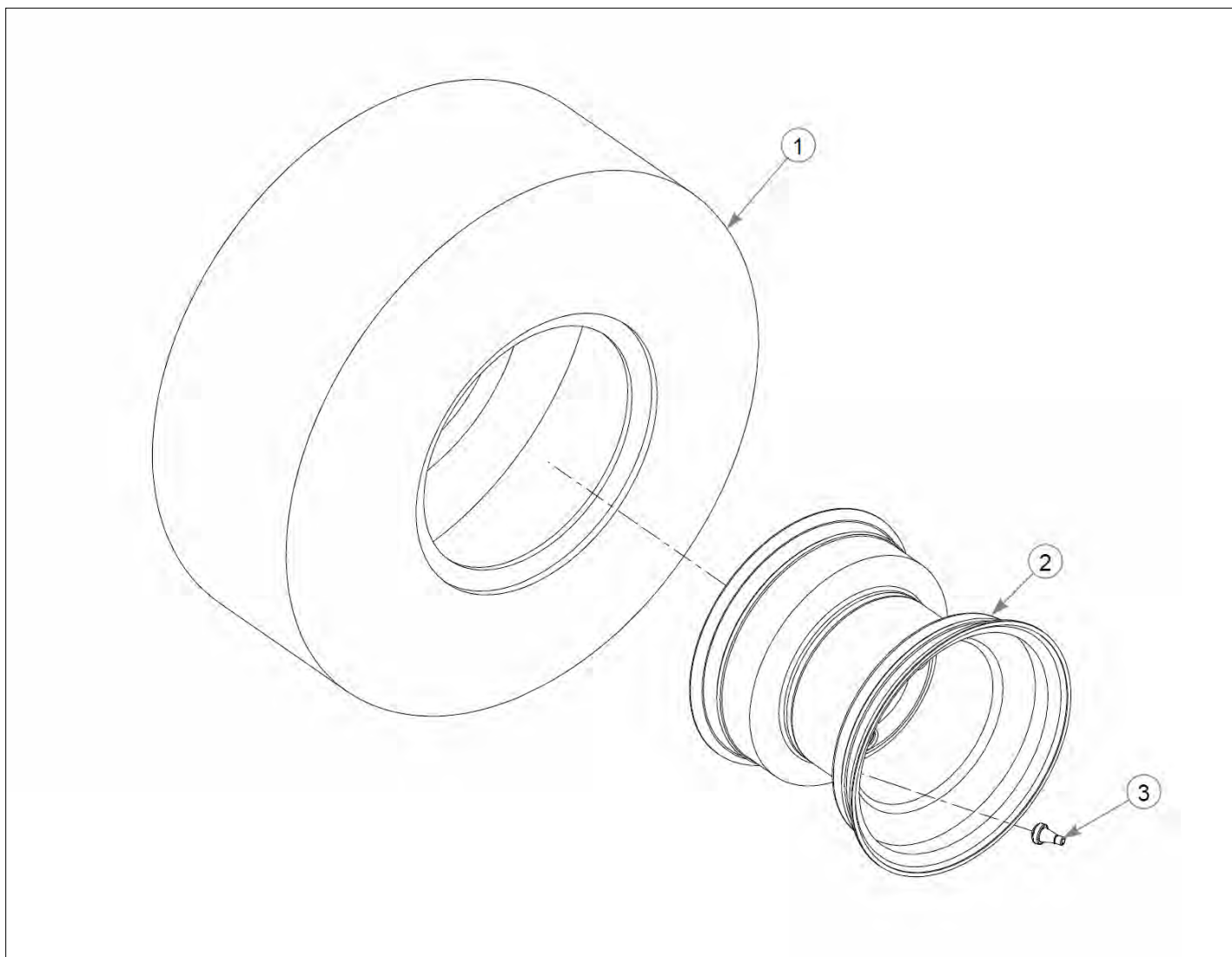
1. Torque to 65–75 ft-lbs.

Wheels & Tires



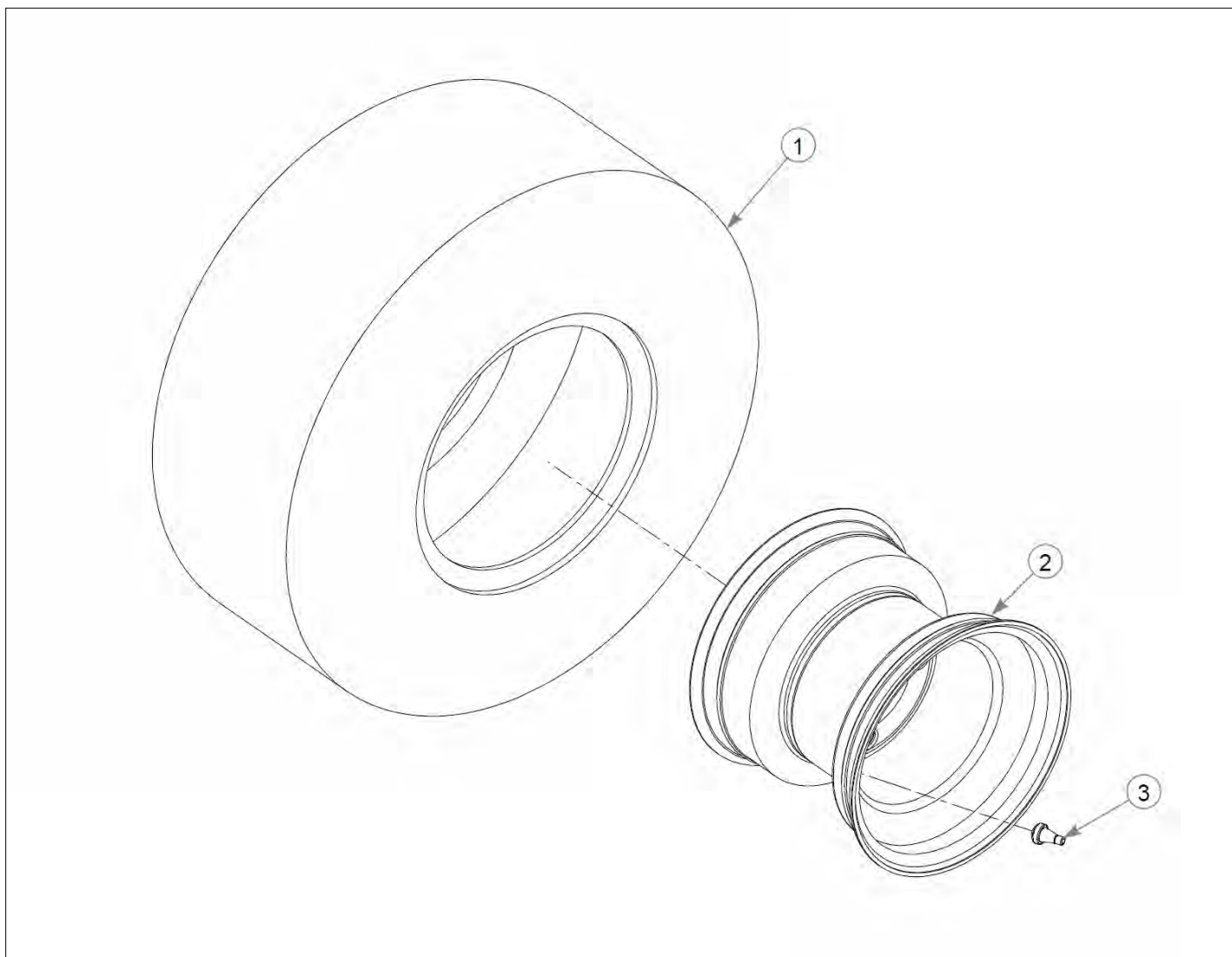
Item	Part No.	Name	Qty	Uom
1	190026	FORK, W/A BD C	1	EA
2	707398	NT .500-13 JAM NY LK	1	EA
3	767962	FW .531 x 1.063 x .175	2	EA
4	604718	CS .500-13 X 6.00 HX G5	1	EA
5	306969	GAGE WHEEL SPACER	1	EA
6	604962	TIRE/WHL 11x4-5 SMOOTH	1	EA
Not Shown	768044	TIRE/WHL 11x4-5 RIBBED	1	EA
7	772806	BEARING CAP	2	EA
8	772814	BEARING, 3/4" ROLLER	1	EA

Wheels & Tires



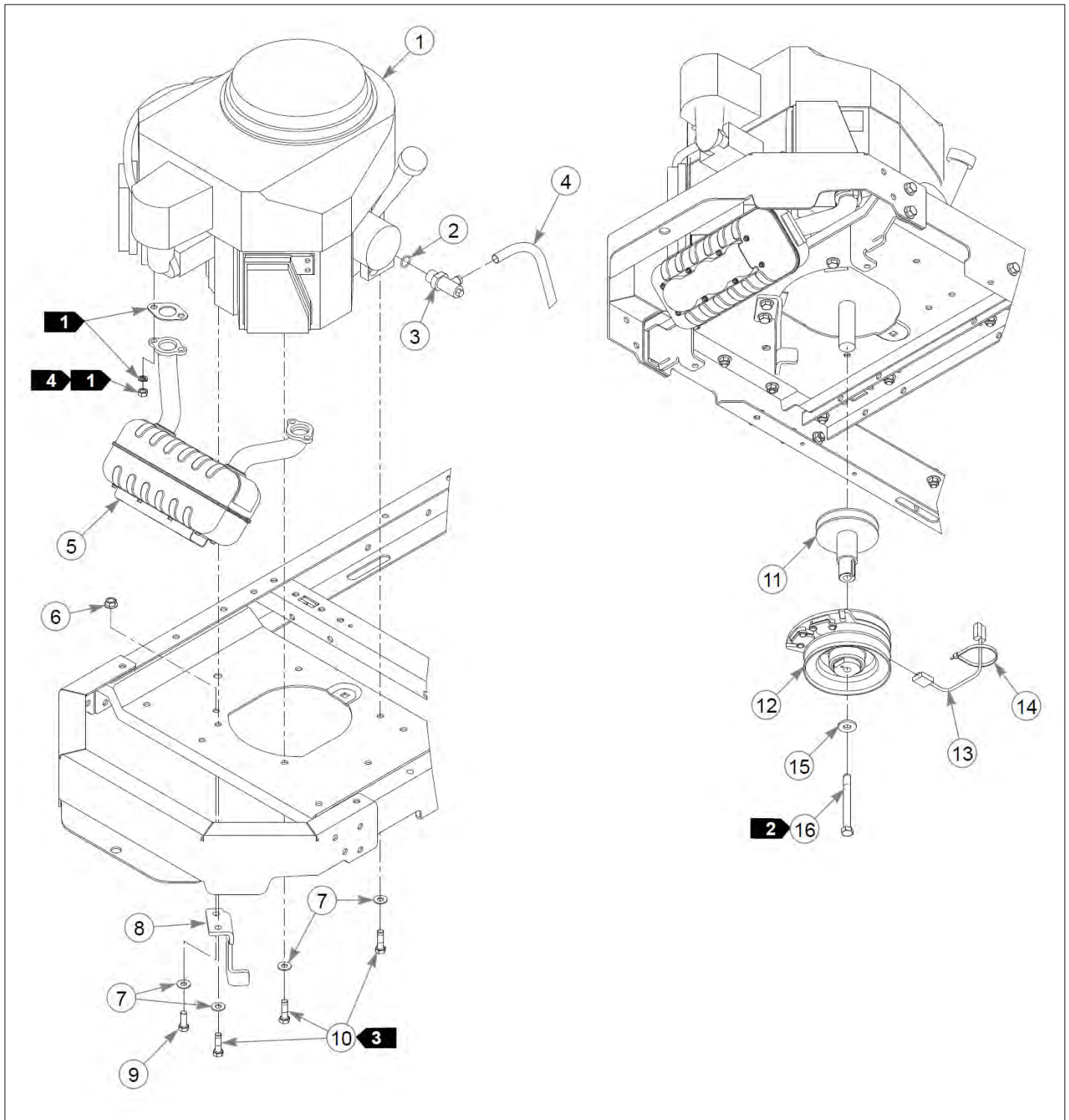
Item	Part No.	Name	Qty	Uom
1	605433	TIRE, 18X7.0-8	1	EA
2	605264	WHEEL ASSY 8X6	1	EA
3	019521	TIRE VALVE TR-412 GOODY	1	EA

Wheels & Tires

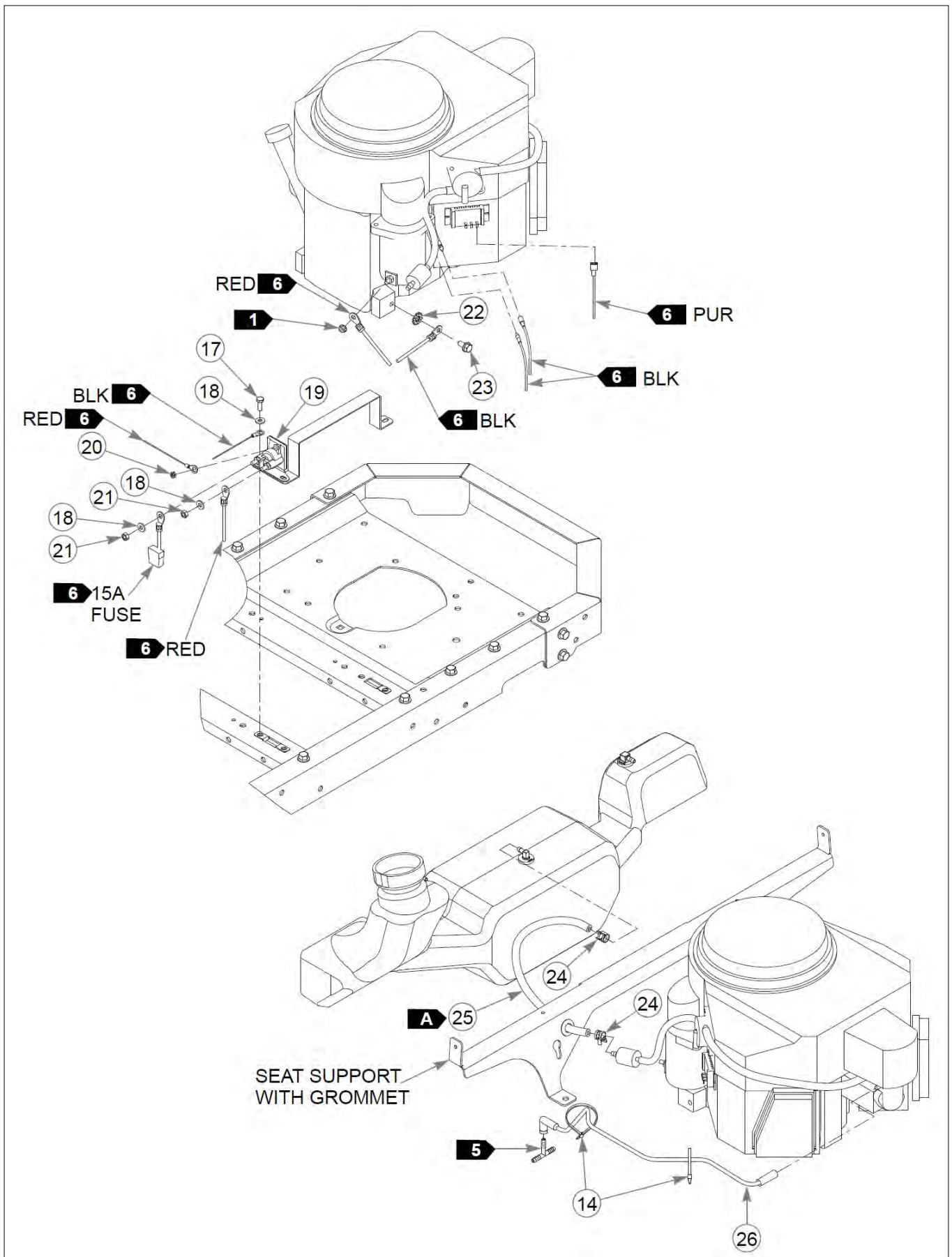


Item	Part No.	Name	Qty	Uom
1	604267	TIRE, 18X8.5-8	1	EA
2	604964	WHEEL ASSY 8x6.937	1	EA
3	019521	TIRE VALVE TR-412 GOODY	1	EA

Engine & Fuel Tank



Item	Part No.	Name	Qty	Uom
1		ENGINE, KAW FR541V	1	EA
2	604369	O-RING	1	EA
3	604350	VALVE, OIL DRAIN	1	EA
4	604463	HOSE, OIL DRAIN	12"	FT
5	602999	MUFFLER, FR600V RITEFLO	1	EA
6	016899	NT .375-16 FLKG5	1	EA
7	767954	FW 0.379 x 0.813 x 0.063	5	EA
8	116290	CLUTCH ANCHOR	1	EA
9	036244	CS .375-16X1.000HXG5	1	EA
10	602580	CS .375-16x1.25 HXG8 P85	4	EA
11	604185	PULLEY, PUMP STUB SHAFT	1	EA
12	604244K	CLUTCH KIT	1	EA
13	791251	HARNESS, CLUTCH PIGTAIL	1	EA
<p>Comments for Part Num. 791251</p> <p>brian on Aug 28, 2015</p> <p>Pigtail was updated with epoxy to hold the wires steady. The wire sheath was also updated to a more flexible material.</p>				
14	000331	WIRE TIE, SMALL/SHORT	3	EA
15	602680	FW .453X 1.12X .119 HRD	1	EA
16	604271	CS .437-20X4.00 HXG5 P85	1	EA
17	055939	CS .250-20X0.750HXG5	2	EA
18	768515	FW 0.281SAE	4	EA
19	030817	STARTER SOLENOID HW KIT	1	EA
20	044255	NT #10-32HXG5	1	EA
21	024927	NT .250-20HXG5	2	EA
22	029876	LW 0.312 INT-EXT	1	EA
23	720516	CS M8-1.25X16HX FL10.9	1	EA
24	000323	CLIP, HOSE CLAMP	2	EA
25	015818	FUEL LINE, 1/4"	18"	IN



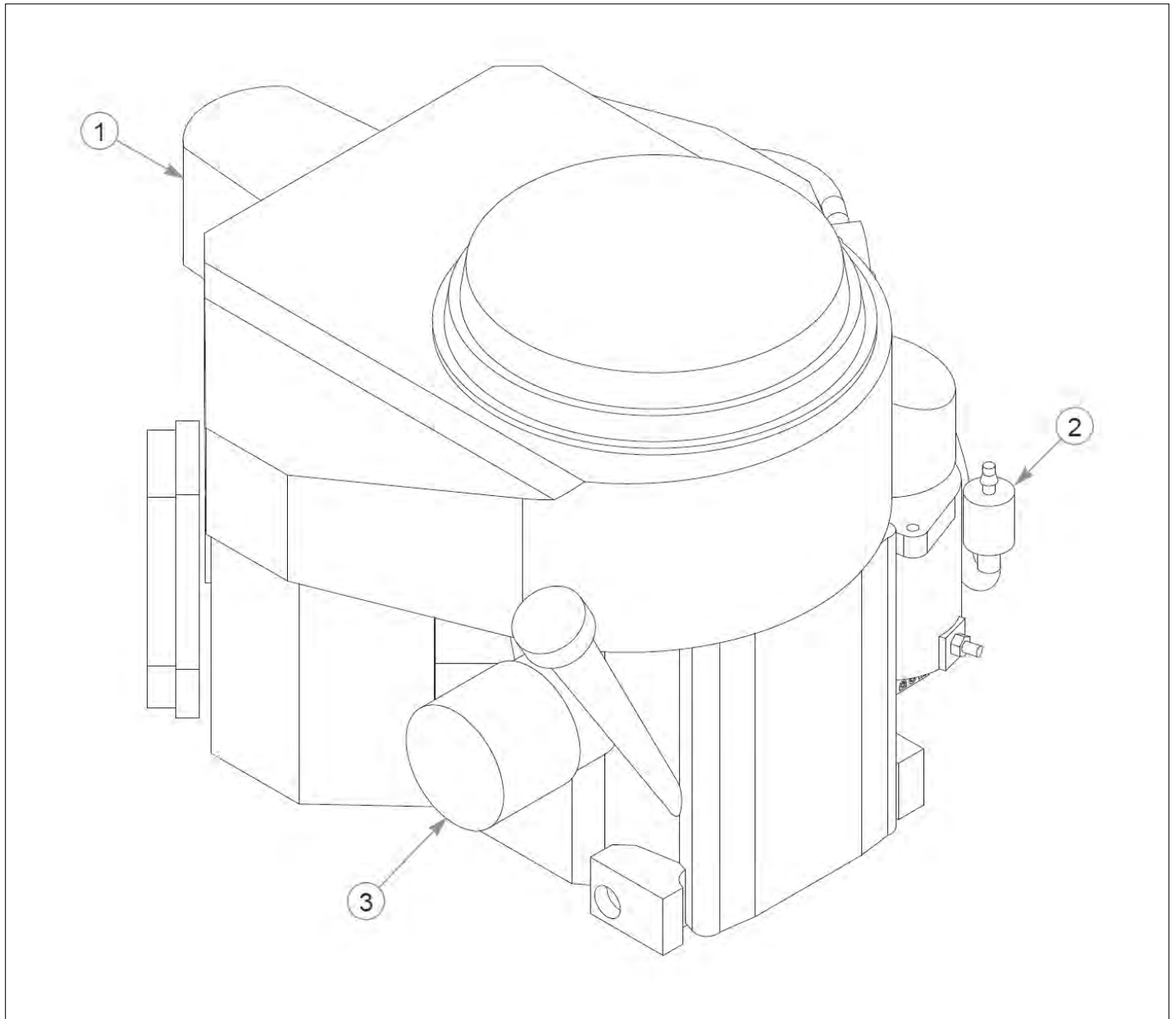
Item	Part No.	Name	Qty	Uom
26	604274	VAPOR LINE, 3/16 FORMED	1	EA

Comments for Page: Engine, Kawasaki FR541V (Multi-Page)

jmumford@excelii.com on Jul 8, 2014

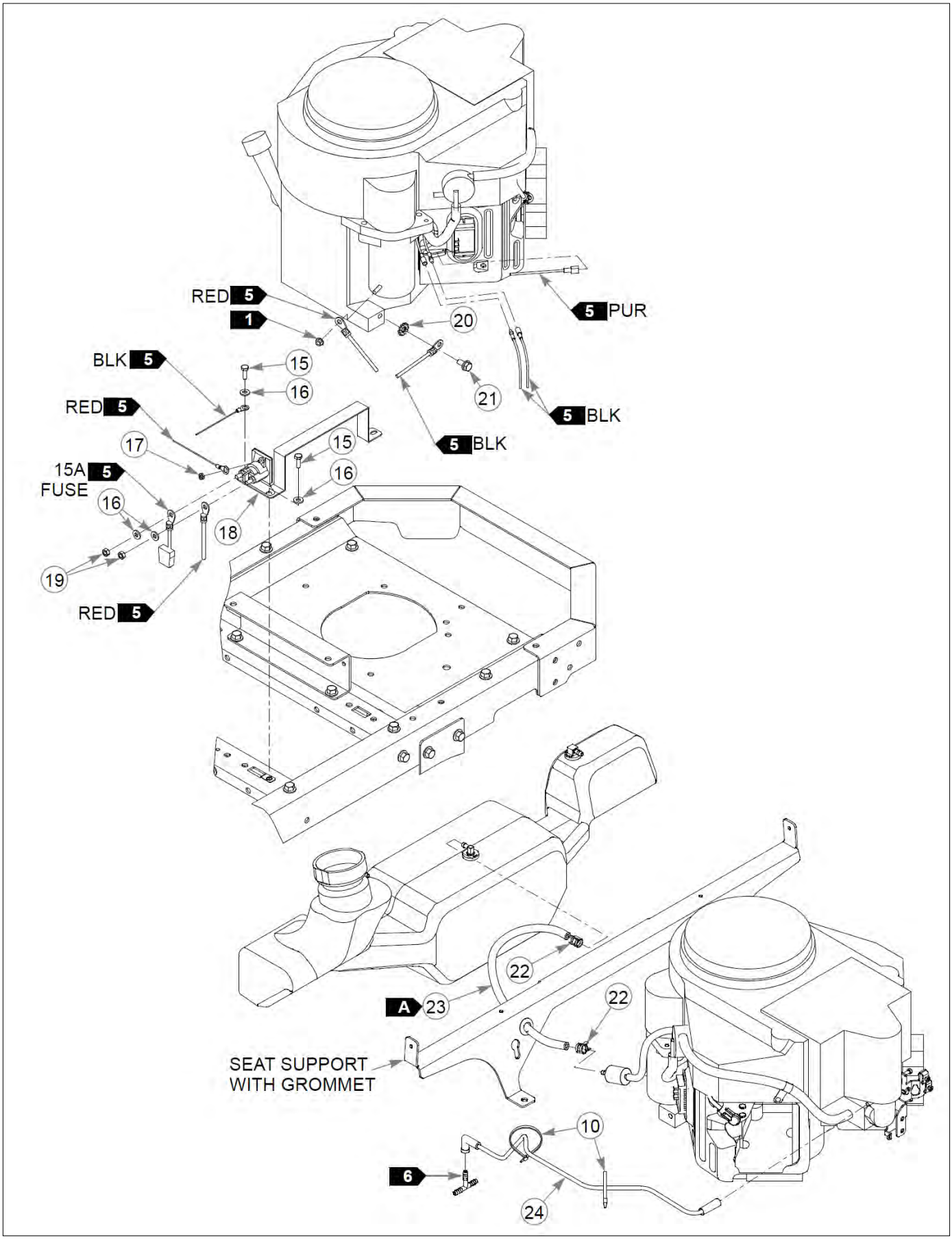
FUEL LINE LENGTHA: 18" fuel line from the tank to the fuel filter1. Supplied with the engine.2. Torque to 45–48 ft-lbs. Replace (do not reuse) the cap screw if it is removed or loosened. Use only hand tools to install this fastener.3. Torque to 30–35 ft-lbs. Replace (do not reuse) the cap screw if it is removed or loosened. Use only hand tools to install this fastener.4. Torque to 17 ft-lbs.5. Part of the fuel system.6. Part of the wire harness.

Engine & Fuel Tank



Item	Part No.	Name	Qty	Uom
1	604240	AIR FILTER, KAW W/CLAMP	1	EA
2	068478	FUEL FILTER IN-LINE	1	EA
3	602581	OIL FILTER, KAW ENG.	1	EA

Item	Part No.	Name	Qty	Uom
1		ENGINE, KAW FR651V	1	EA
Not Shown		ENGINE, KAW FR691V	1	EA
2	604463	HOSE, OIL DRAIN	12"	FT
3	604016	MUFFLER, FR730V	1	EA
4	016899	NT .375-16 FLKG5	1	EA
5	116290	CLUTCH ANCHOR	1	EA
6	767954	FW 0.379 x 0.813 x 0.063	5	EA
7	036244	CS .375-16X1.000HXG5	1	EA
8	602580	CS .375-16x1.25 HXG8 P85	4	EA
9	604185	PULLEY, PUMP STUB SHAFT	1	EA
10	000331	WIRE TIE, SMALL/SHORT	3	EA
11	791251	HARNESS, CLUTCH PIGTAIL	1	EA
<p>Comments for Part Num. 791251</p> <p>brian on Aug 28, 2015</p> <p>Pigtail was updated with epoxy to hold the wires steady. The wire sheath was also updated to a more flexible material.</p>				
12	604244K	CLUTCH KIT	1	EA
13	602680	FW .453X 1.12X .119 HRD	1	EA
14	604271	CS .437-20X4.00 HXG5 P85	1	EA
15	055939	CS .250-20X0.750HXG5	2	EA
16	768515	FW 0.281SAE	4	EA
17	044255	NT #10-32HXG5	1	EA
18	030817	STARTER SOLENOID HW KIT	1	EA
19	024927	NT .250-20HXG5	2	EA
20	029876	LW 0.312 INT-EXT	1	EA
21	720516	CS M8-1.25X16HX FL10.9	1	EA
22	000323	CLIP, HOSE CLAMP	2	EA
23	015818	FUEL LINE, 1/4"	18"	IN



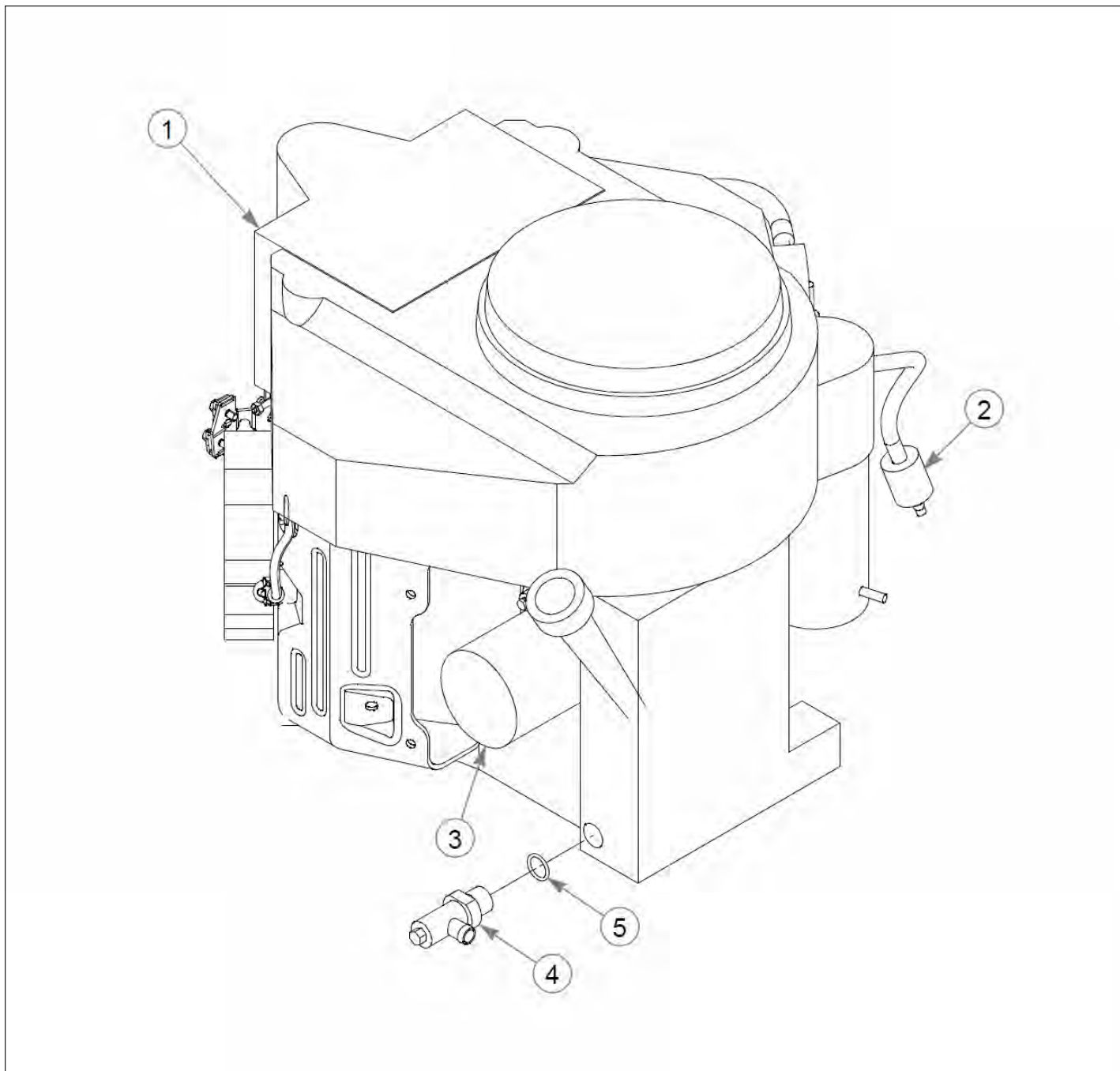
Item	Part No.	Name	Qty	Uom
24	604274	VAPOR LINE, 3/16 FORMED	1	EA

Comments for Page: Engine, Kawasaki FR651V & FR691V (Multi-Page)

jmumford@excelii.com on Jul 10, 2014

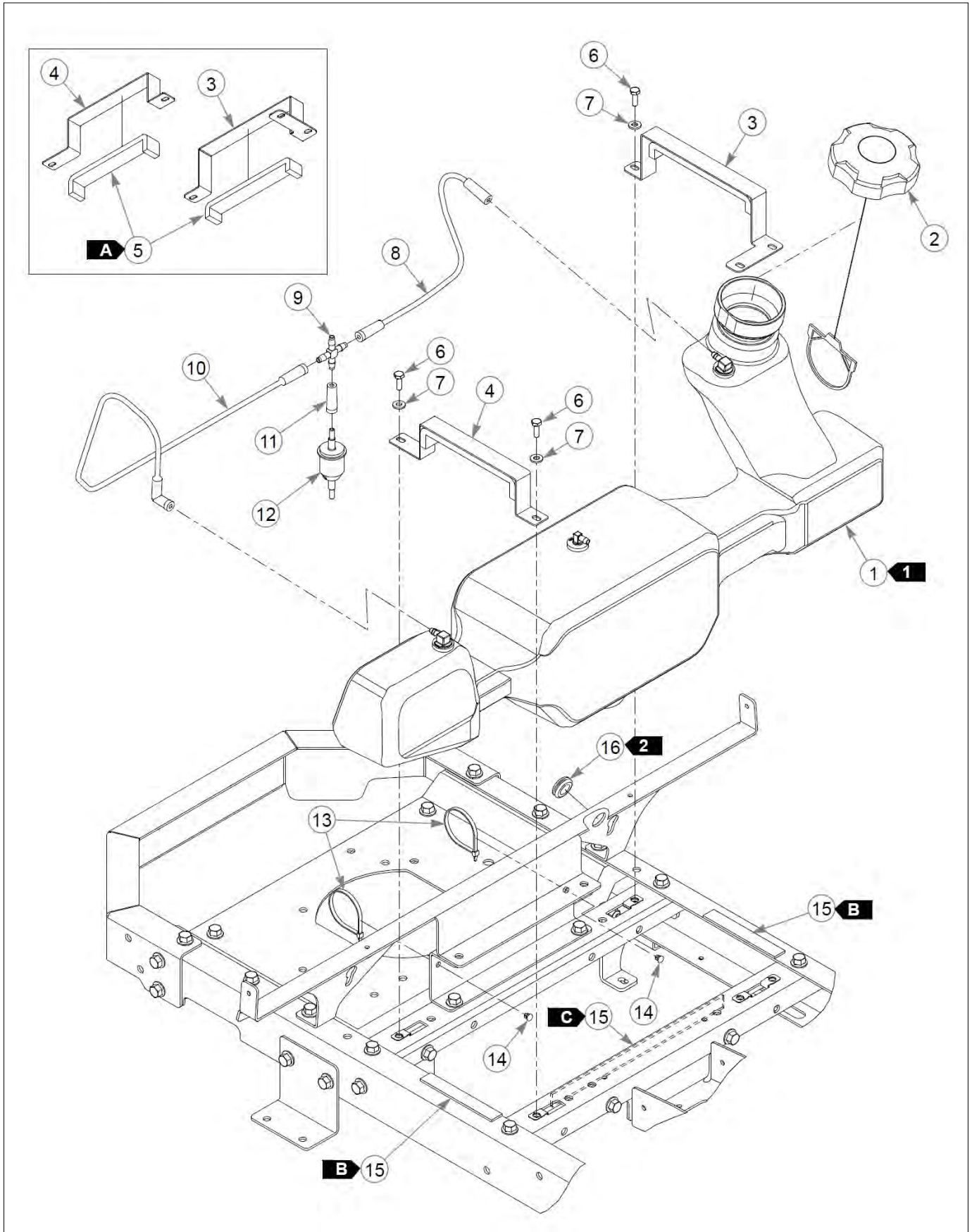
FUEL LINE LENGTHA: 18" fuel line from the fuel tank to the engine1. Supplied with the engine.2. Torquet to 45–48 ft-lbs. Replace (do not reuse) the cap screw if it is removed or loosened. Use only hand tools to install this fastener.3. Torque to 30–35 ft-lbs. Replace (do not reuse) the cap screw if it is removed or loosened. Use only hand tools to install this fastener.4. Torque to 17 ft-lbs.5. Part of the wire harness.6. Part of the fuel system.

Engine & Fuel Tank



Item	Part No.	Name	Qty	Uom
1	603059	AIR FILTER, KAW	1	EA
2	068478	FUEL FILTER IN-LINE	1	EA
3	602581	OIL FILTER, KAW ENG.	1	EA
4	604350	VALVE, OIL DRAIN	1	EA
5	604369	O-RING	1	EA

Engine & Fuel Tank



Item	Part No.	Name	Qty	Uom
1	605958	ASSEMBLY. FUEL TANK	1	EA
Comments for Part Num. 605958				
brian on Jul 7, 2015				
FUEL TANK HAS NO SERVICEABLE PARTS. MUST ORDER COMPLETE FUEL TANK.				
604336	605958	ASSEMBLY. FUEL TANK	1	EA
Comments for Part Num. 605958				
brian on Jul 7, 2015				
FUEL TANK HAS NO SERVICEABLE PARTS. MUST ORDER COMPLETE FUEL TANK.				
2	603807	CAP, 3.5" RATCHETING GAS	1	EA
3	117059	TANK MNT LEFT	1	EA
4	117060	TANK MNT RIGHT	1	EA
5	713198	SEAL 3/8x3/4 SOLD BY FT	18.5"	FT
6	055939	CS .250-20X0.750HXG5	3	EA
7	768515	FW 0.281SAE	3	EA
8	604279	VAPOR LINE, 3/16 FORMED	1	EA
9	604322	1/4" HOSE BARB CROSS	1	EA
10	604273	VAPOR LINE, 3/16 FORMED	1	EA
11	604292	BOOT, 3/16" TO 1/4" BARB	1	EA
12	604323	FILTER, VAPOR SYSTEM	1	EA
13	000331	WIRE TIE, SMALL/SHORT	2	EA
14	604307	MOUNT, PUSH BUTTON	2	EA
15	033035	WEATHERSTRIP .12X.75	22"	FT
16	601400	GM .63 x1.13 x.88 x .13	1	EA

Comments for Page: Fuel System, Kawasaki

jmumford@excelii.com on Jul 15, 2015

1. 605958 is used on mowers S/N 15079323 & higher. 604336 is used on mowers prior to S/N 15079323.
2. 601400 is used on mowers S/N 15079323 & higher.

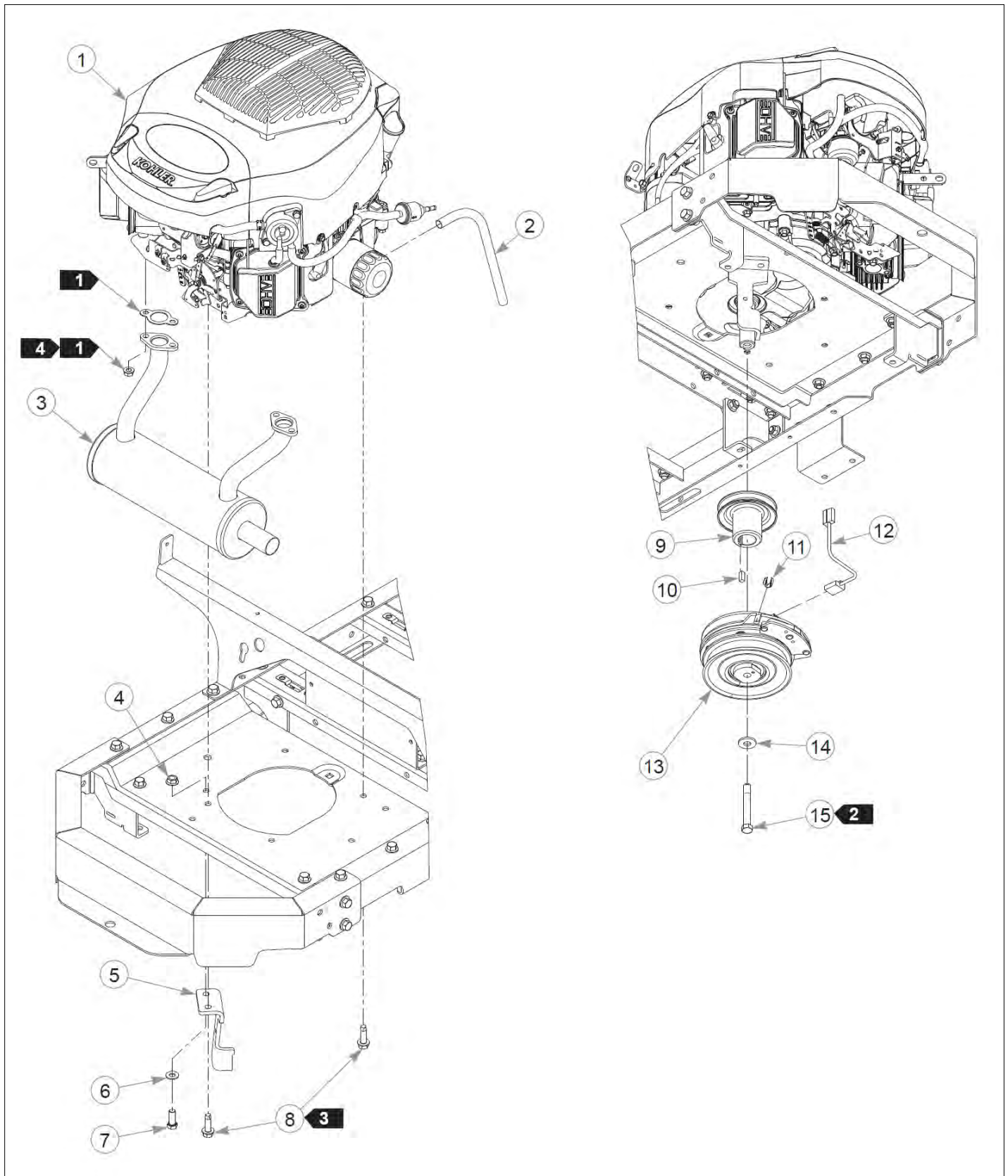
Seal & Weatherstrip lengths:

A: 9.25"

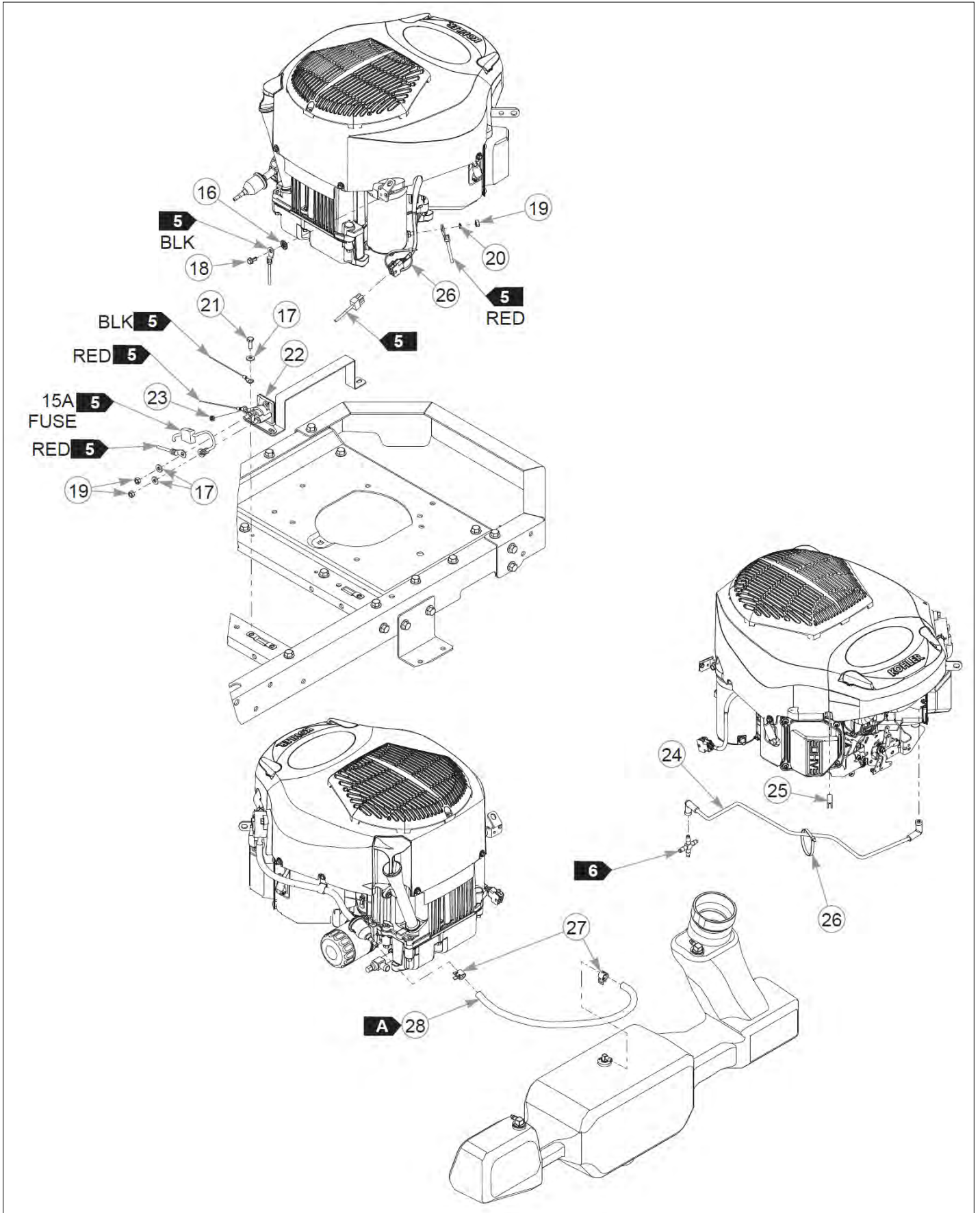
B: 5"

C: 12"

Engine & Fuel Tank



Item	Part No.	Name	Qty	Uom
1		KOHLER KT725 ENGINE	1	EA
Not Shown		ENGINE KOH, KT735-3064	1	EA
Not Shown		ENGINE, KT 610	1	EA
2	604463	HOSE, OIL DRAIN	12"	FT
3	605793	MUFFLER	1	EA
4	016899	NT .375-16 FLKG5	1	EA
5	121625	CLUTCH ANCHOR	1	EA
6	767954	FW 0.379 x 0.813 x 0.063	1	EA
7	036244	CS .375-16X1.000HXG5	1	EA
8	605814	SC0.375-16X1.250FLG	4	EA
9	605574	PULLEY, ENG 4.094OP	1	EA
10	712372	KEY 1/4 SQ X 0.66 LG(FS)	1	EA
11	605595	BUSHING, CLUTCH	1	EA
12	791251	HARNESS, CLUTCH PIGTAIL	1	EA
<p>Comments for Part Num. 791251</p> <p>brian on Aug 28, 2015</p> <p>Pigtail was updated with epoxy to hold the wires steady. The wire sheath was also updated to a more flexible material.</p>				
13	605827K	CLUTCH KIT	1	EA
14	602680	FW .453X 1.12X .119 HRD	1	EA
15	785048	CS .437-20X3.00 HXG5 P85	1	EA
16	029868	LW0.250INTEXT	1	EA
17	768515	FW 0.281SAE	4	EA
18	603617	CS .250-20X.50 HX FL STP	1	EA
19	024927	NT .250-20HXG5	3	EA
20	017038	LW .250 MED SPRING ZNYC	1	EA
21	055939	CS .250-20X0.750HXG5	2	EA



Item	Part No.	Name	Qty	Uom
22	030817	STARTER SOLENOID HW KIT	1	EA
23	044255	NT #10-32HXG5	1	EA
24	605894	VAPOR LINE, 3/16 FORMED	1	EA
25	604966	TRIM LOCK, 1.13"	1	EA
26	000331	WIRE TIE, SMALL/SHORT	2	EA
27	000323	CLIP, HOSE CLAMP	2	EA
28	015818	FUEL LINE, 1/4"	18"	IN

Comments for Page: Engine, Kohler KT725, KT735 & KT610 (Multi-Page)

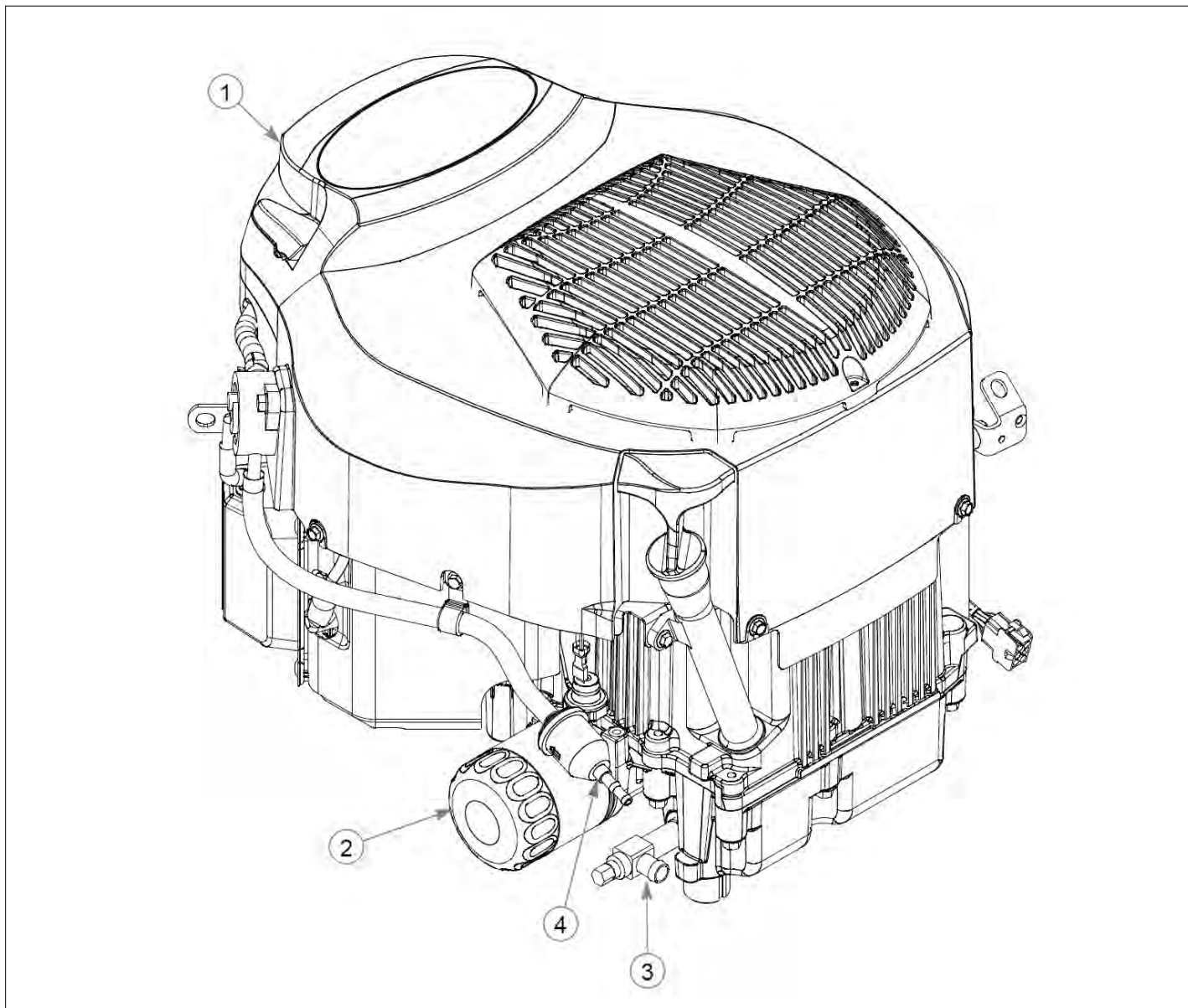
jmumford@excelii.com on May 22, 2015

FUEL LINE LENGTH

A: 18" fuel line from the tank to the fuel filter

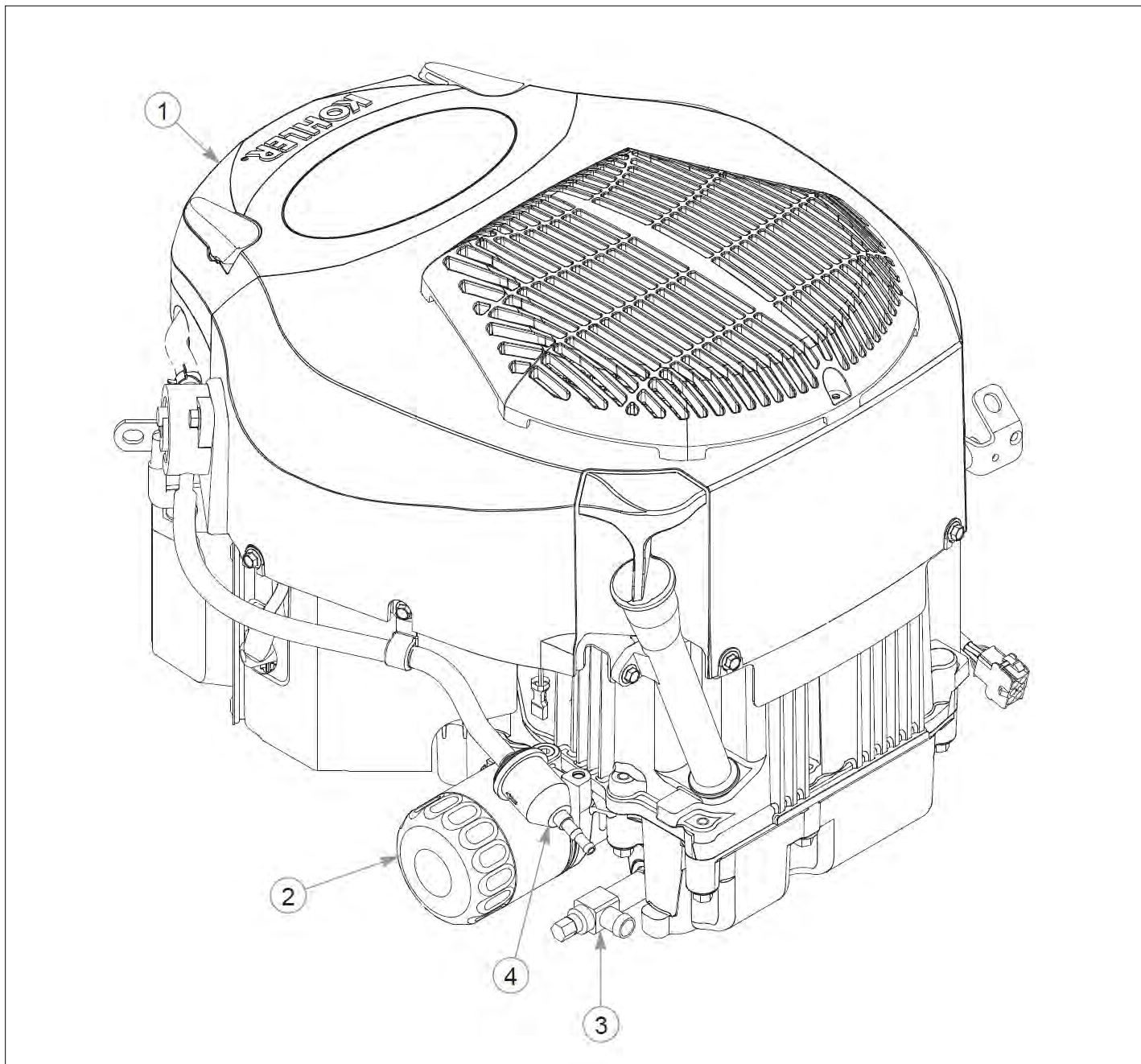
1. Supplied with the engine.
2. Torque to 45–48 ft-lbs. Replace (do not reuse) the cap screw if it is removed or loosened. Use only hand tools to install this fastener.
3. Torque to 30 ft-lbs. Use only hand tools to install this fastener.
4. Torque to 18 ft-lbs.
5. Part of the wire harness.
6. Part of the fuel system.

Engine & Fuel Tank



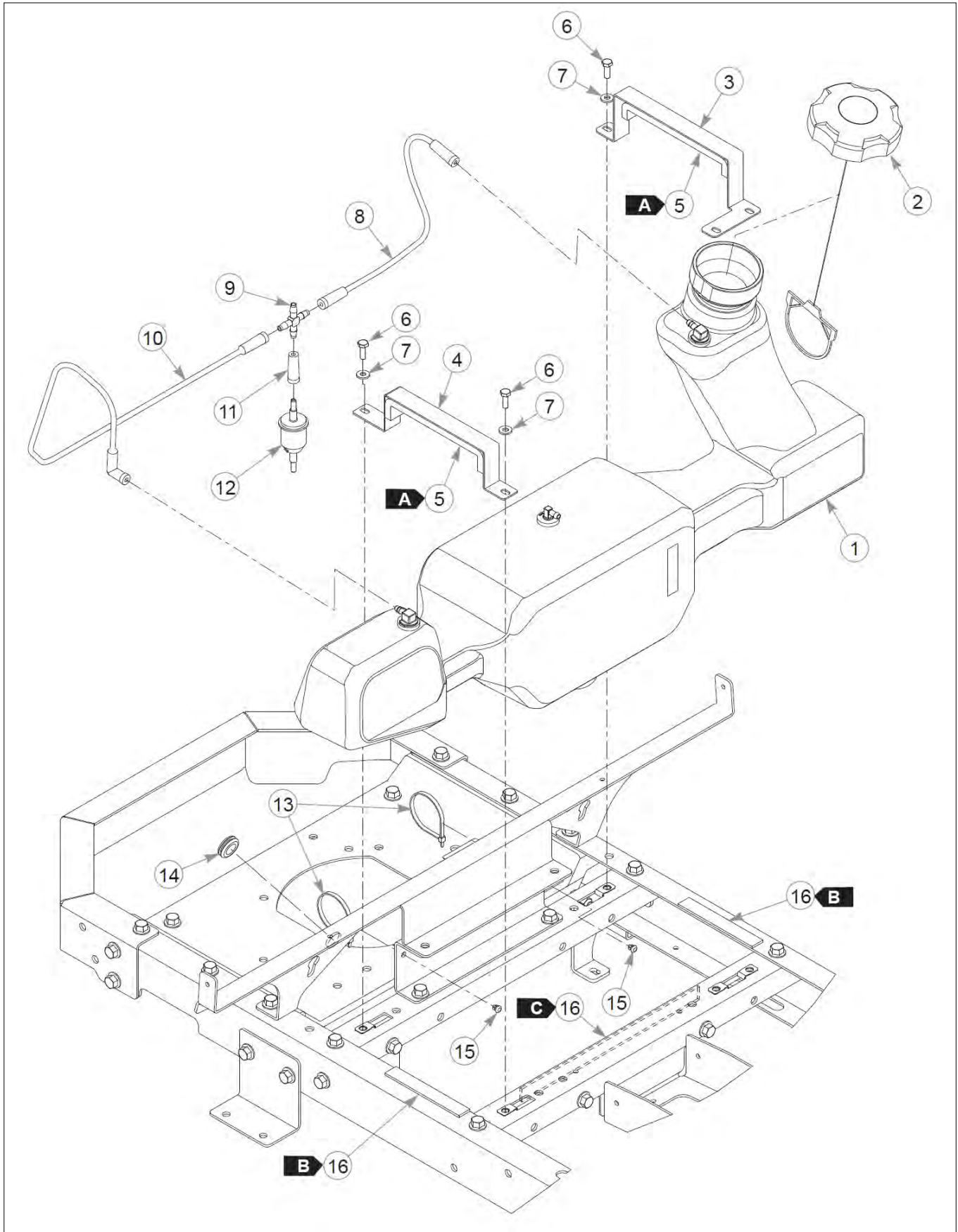
Item	Part No.	Name	Qty	Uom
1	605990	AIR FILTER PRO	1	EA
2	606095	OIL FILTER PRO	1	EA
3	606020	VALVE, OIL DRAIN 3/8-18	1	EA
4	068478	FUEL FILTER IN-LINE	1	EA

Engine & Fuel Tank



Item	Part No.	Name	Qty	Uom
1	605989	AIR FILTER STANDARD	1	EA
2	747303	ENGINE OIL FILTER	1	EA
3	606020	VALVE, OIL DRAIN 3/8-18	1	EA
4	068478	FUEL FILTER IN-LINE	1	EA

Engine & Fuel Tank



Item	Part No.	Name	Qty	Uom
1	605958	ASSEMBLY. FUEL TANK	1	EA
Comments for Part Num. 605958				
brian on Jul 7, 2015				
FUEL TANK HAS NO SERVICEABLE PARTS. MUST ORDER COMPLETE FUEL TANK.				
2	603807	CAP, 3.5" RATCHETING GAS	1	EA
3	117059	TANK MNT LEFT	1	EA
4	117060	TANK MNT RIGHT	1	EA
5	713198	SEAL 3/8x3/4 SOLD BY FT	18.5"	FT
6	055939	CS .250-20X0.750HXG5	3	EA
7	768515	FW 0.281SAE	3	EA
8	604279	VAPOR LINE, 3/16 FORMED	1	EA
9	604322	1/4" HOSE BARB CROSS	1	EA
10	604273	VAPOR LINE, 3/16 FORMED	1	EA
11	604292	BOOT, 3/16" TO 1/4" BARB	1	EA
12	604323	FILTER, VAPOR SYSTEM	1	EA
13	000331	WIRE TIE, SMALL/SHORT	2	EA
14	601400	GM .63 x1.13 x.88 x .13	1	EA
15	604307	MOUNT, PUSH BUTTON	2	EA
16	033035	WEATHERSTRIP .12X.75	22"	FT

Comments for Page: Fuel System, Kohler

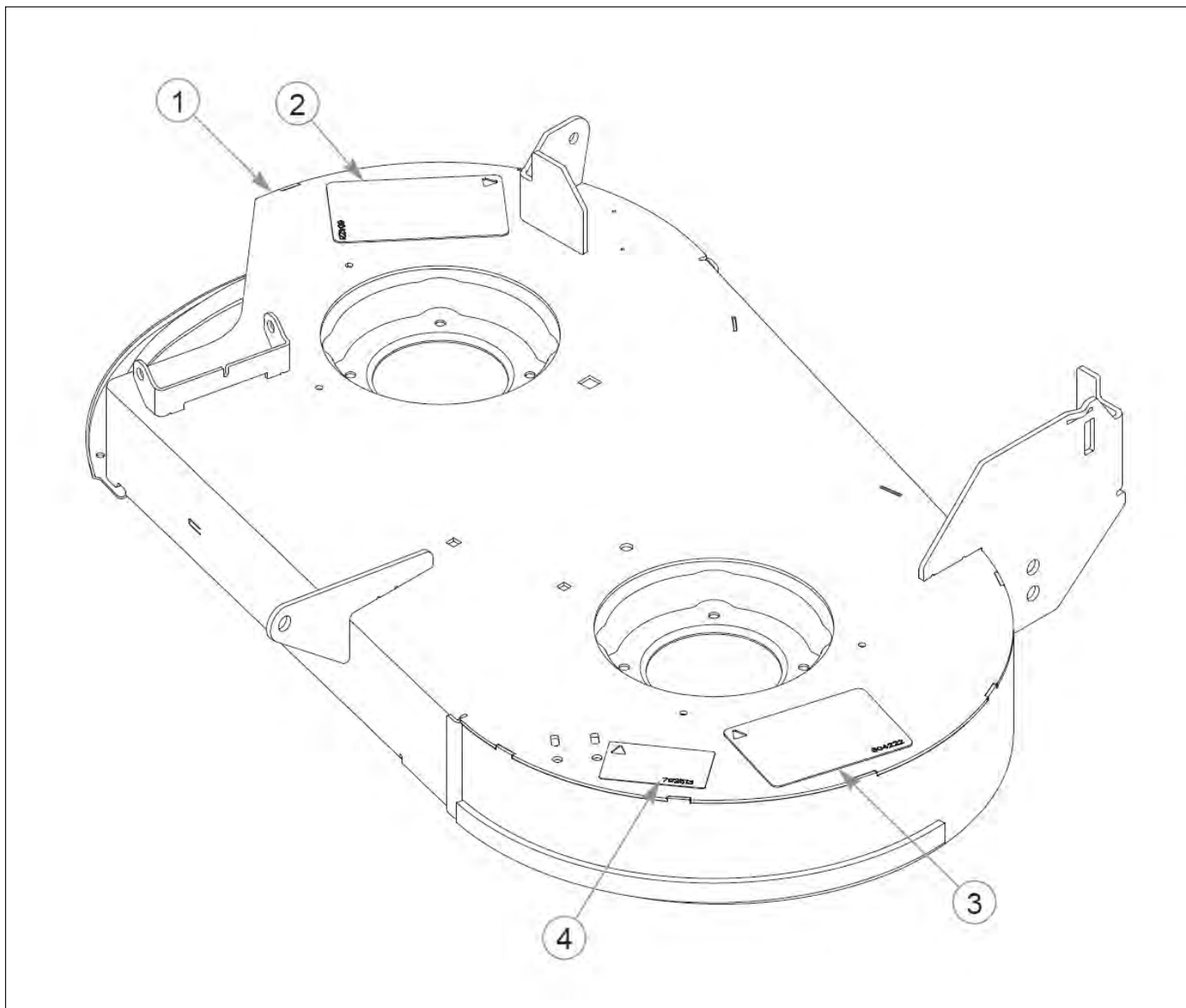
jmumford@excelii.com on May 22, 2015
SEAL & WEATHERSTRIP LENGTHS

A: 9.25"

B: 5"

C: 12"

Deck



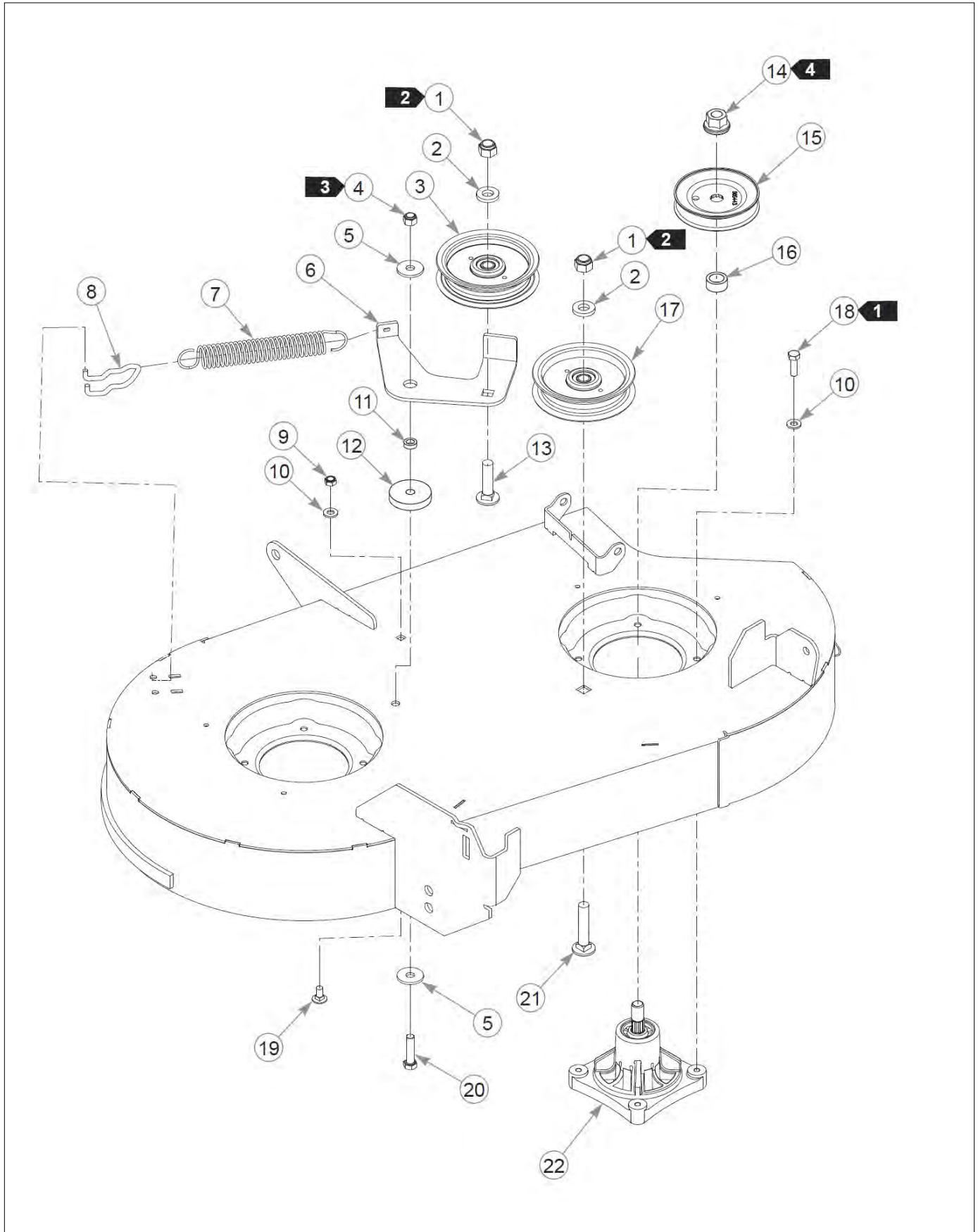
Item	Part No.	Name	Qty	Uom
1	552706	SVC, DECK 36"	1	EA
2	604221	DECAL, DANGER / CHUTE	1	EA
3	604222	DECAL, DANGER / OBJECTS	1	EA
4	793513	DECAL,36"DECK ID	1	EA

Comments for Page: 36" Service Deck

jmumford@excelii.com on Jul 9, 2014

1. The deck includes decals.

Deck



Item	Part No.	Name	Qty	Uom
1	781567	NT .500-13NLG5	2	EA
2	767962	FW .531 x 1.063 x .175	2	EA
3	603986	IDLER PULLEY, 4.00" FLAT	1	EA
4	086660	NT .375-16NLG8	1	EA
5	712893	FW 0.406X1.250X0.120	2	EA
6	119936	IDLER ARM, PIVOTING 36"	1	EA
7	605379	SPRING, EXTENSION	1	EA
8	604110	ANCHOR, SPRING TENSIONER	1	EA
9	604251	NT .312-18 HXNL JAM G2ZN	1	EA
10	768523	FW 0.343SAE	9	EA
11	601839	PIVOT SPACER BUSHING	1	EA
12	117539	SPACER, IDLER ARM	1	EA
13	604253	CB .50-13 X 2.00 STD ZN	1	EA
14	604172	NT .562-18 HX G5 ZN	2	EA
15	605443	DRIVE PULLEY-36"	2	EA
16	604123	SPACER, PULLEY	2	EA
17	604219	IDLER PULLEY, 4.00" FLAT	1	EA
18	036236	CS .312-18X1.000HXG5	8	EA
19	083147	CB .312-18X .620 G5 ZN	1	EA
20	080655	CS .375-16X1.500HXG5	1	EA
21	604254	CB .50-13 X 2.50 STD ZN	1	EA
22	604214	SPINDLE ASSY, RAPTOR	2	EA

Comments for Page: 36" Deck Pulleys & Spindles

jmumford@excelii.com on Feb 10, 2016

1. Torque to 18 ft-lbs.
2. Torque to 73 ft-lbs.
3. Torque to 30 ft-lbs. The idler arm should pivot freely.
4. Torque to 50–75 ft-lbs.

Item	Part No.	Name	Qty	Uom
1	604324	CS .250-20 X .75 HX FLG	4	EA
2	605254	PULLEY COVER	1	EA
3	604403	PULLEY COVER	1	EA
4	771824	BELT, A 117" EL	1	EA
5	016410	CS .375-16X2.000HXG5	2	EA
6	116157	LINK, DECK LIFT	2	EA
7	016899	NT .375-16 FLKG5	2	EA
8	601839	PIVOT SPACER BUSHING	1	EA
9	605016	NUT, DECK LEVELING	1	EA
10	116155	DECK LINK	2	EA
11	116911	CAM, DECK LEVELER	1	EA
12	767954	FW 0.379 x 0.813 x 0.063	1	EA
13	706168	NT .375-16JAMG5	1	EA
14	781567	NT .500-13NLG5	1	EA
15	767962	FW .531 x 1.063 x .175	3	EA
16	788166	WHEEL ASSY, ANTI SCALP	1	EA
17	604268	DISCHARGE CHUTE	1	EA
18	086660	NT .375-16NLG8	1	EA
19	604331	CHUTE SPRING	1	EA
20	604346	PIN, DISCHARGE CHUTE	1	EA
21	783753	BLADE,17.86"-L-F-CW	2	EA
Not Shown	603995	BLADE, 17.86" -M-F-CW	2	EA
Not Shown	787721	BLADE,17.86"-H-F-CW	2	EA
Not Shown	603848	BLADE, 17.86"-CAT-F-CW	2	EA
Not Shown	794198	BLADE,17.86"-MUL-F-CW	2	EA
Not Shown	785436	BLADE,17.86"-GAT-F-CW	2	EA
22	602680	FW .453X 1.12X .119 HRD	2	EA

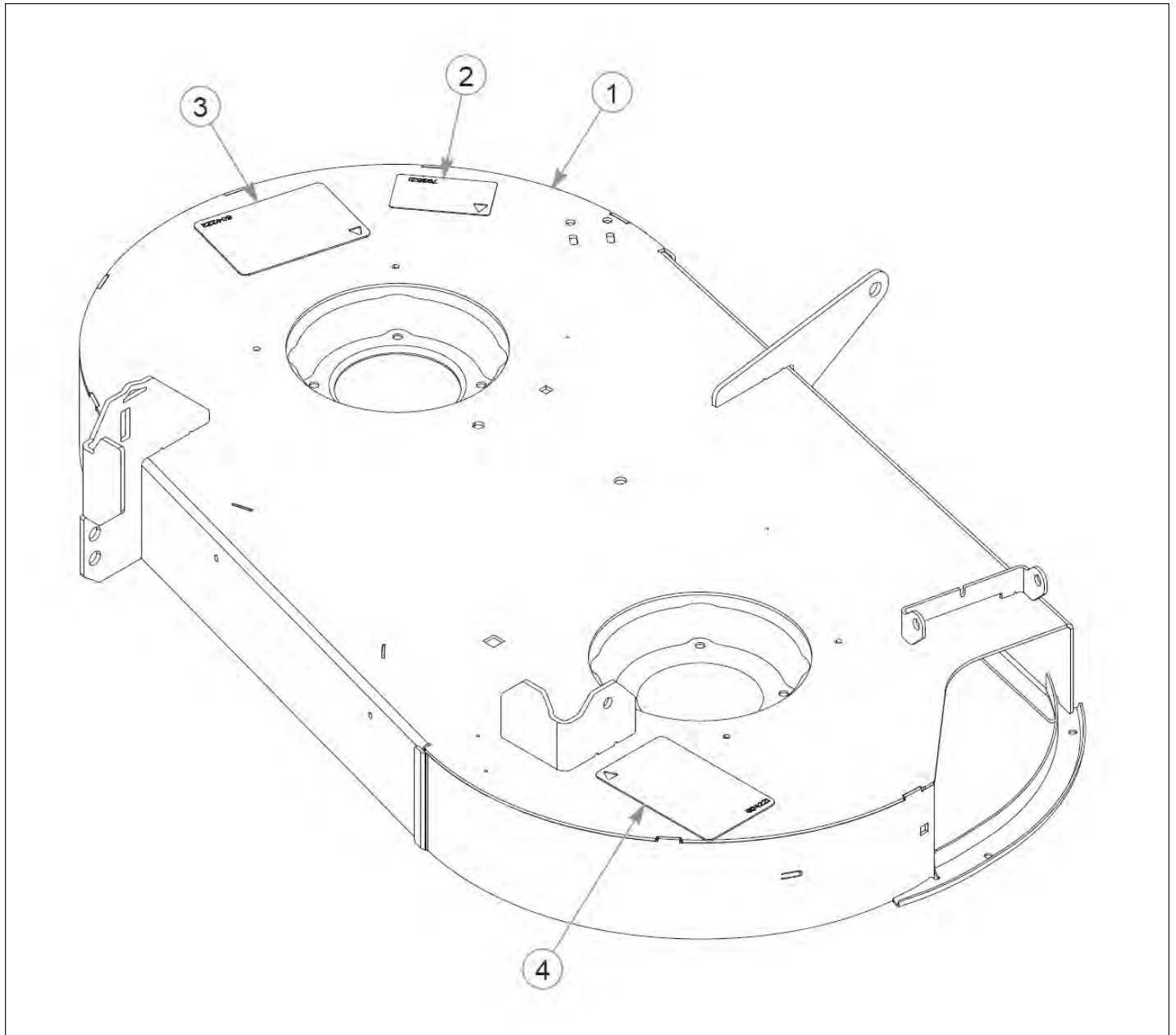
Item	Part No.	Name	Qty	Uom
23	754101	CS .437-20X1.250HXG5	2	EA
24	781708	CS .500-13X4.250HXG5	1	EA
25	031997	ANTI-SCALP WHEEL	1	EA
26	053199	NT .500-13JAMG5	1	EA

Comments for Page: 36" Deck

jmumford@excelii.com on Jul 9, 2014

1. Torque to 48 ft-lbs.
2. Torque to 8 ft-lbs on these 4 self-tapping screws.
3. Do not torque; the discharge chute must pivot freely.
4. The plastic wheel assembly includes hardware.

Deck



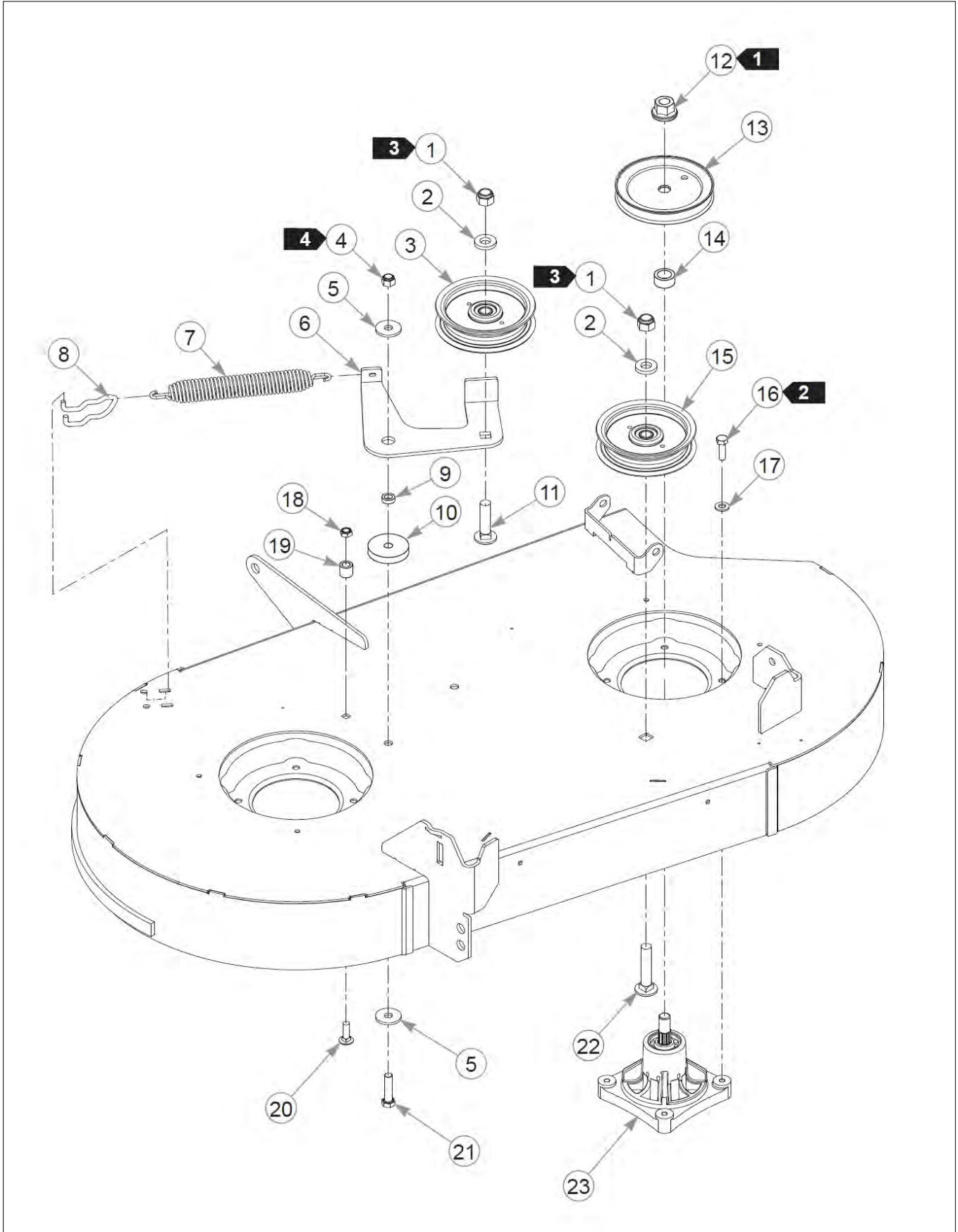
Item	Part No.	Name	Qty	Uom
1	552345	SVC, DECK 42"	1	EA
2	793521	DECAL,42 DECK ID	1	EA
3	604222	DECAL, DANGER / OBJECTS	1	EA
4	604221	DECAL, DANGER / CHUTE	1	EA

Comments for Page: 42" Service Deck

jmumford@excelii.com on Feb 3, 2014

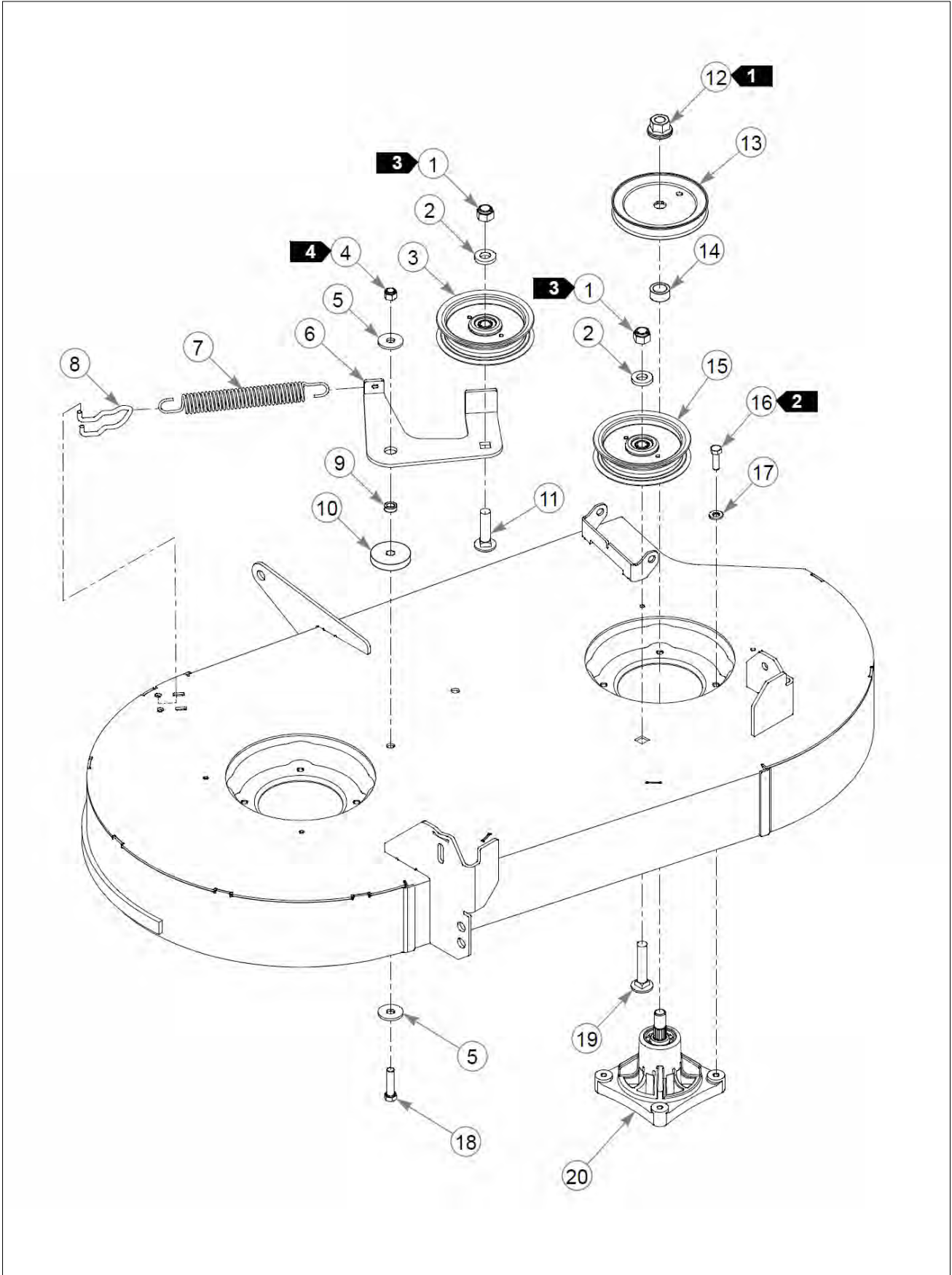
1. The deck includes decals.

Deck



Item	Part No.	Name	Qty	Uom
1	781567	NT .500-13NLG5	2	EA
2	767962	FW .531 x 1.063 x .175	2	EA
3	603986	IDLER PULLEY, 4.00" FLAT	1	EA
4	086660	NT .375-16NLG8	1	EA
5	712893	FW 0.406X1.250X0.120	2	EA
6	117512	IDLER ARM, PIVOTING	1	EA
7	122388	SPRING	1	EA
8	604110	ANCHOR, SPRING TENSIONER	1	EA
9	601839	PIVOT SPACER BUSHING	1	EA
10	117539	SPACER, IDLER ARM	1	EA
11	604253	CB .50-13 X 2.00 STD ZN	1	EA
12	604172	NT .562-18 HX G5 ZN	2	EA
13	603987	PULLEY, 12 POINT	2	EA
14	604123	SPACER, PULLEY	2	EA
15	604219	IDLER PULLEY, 4.00" FLAT	1	EA
16	036236	CS .312-18X1.000HXG5	8	EA
17	768523	FW 0.343SAE	8	EA
18	604251	NT .312-18 HXNL JAM G2ZN	1	EA
19	122398	TENSIONING PULLEY STOP	1	EA
20	037887	CB .312-18X 1.000 FUL YZ	1	EA
21	080655	CS .375-16X1.500HXG5	1	EA
22	604254	CB .50-13 X 2.50 STD ZN	1	EA
23	604214	SPINDLE ASSY, RAPTOR	2	EA

Deck



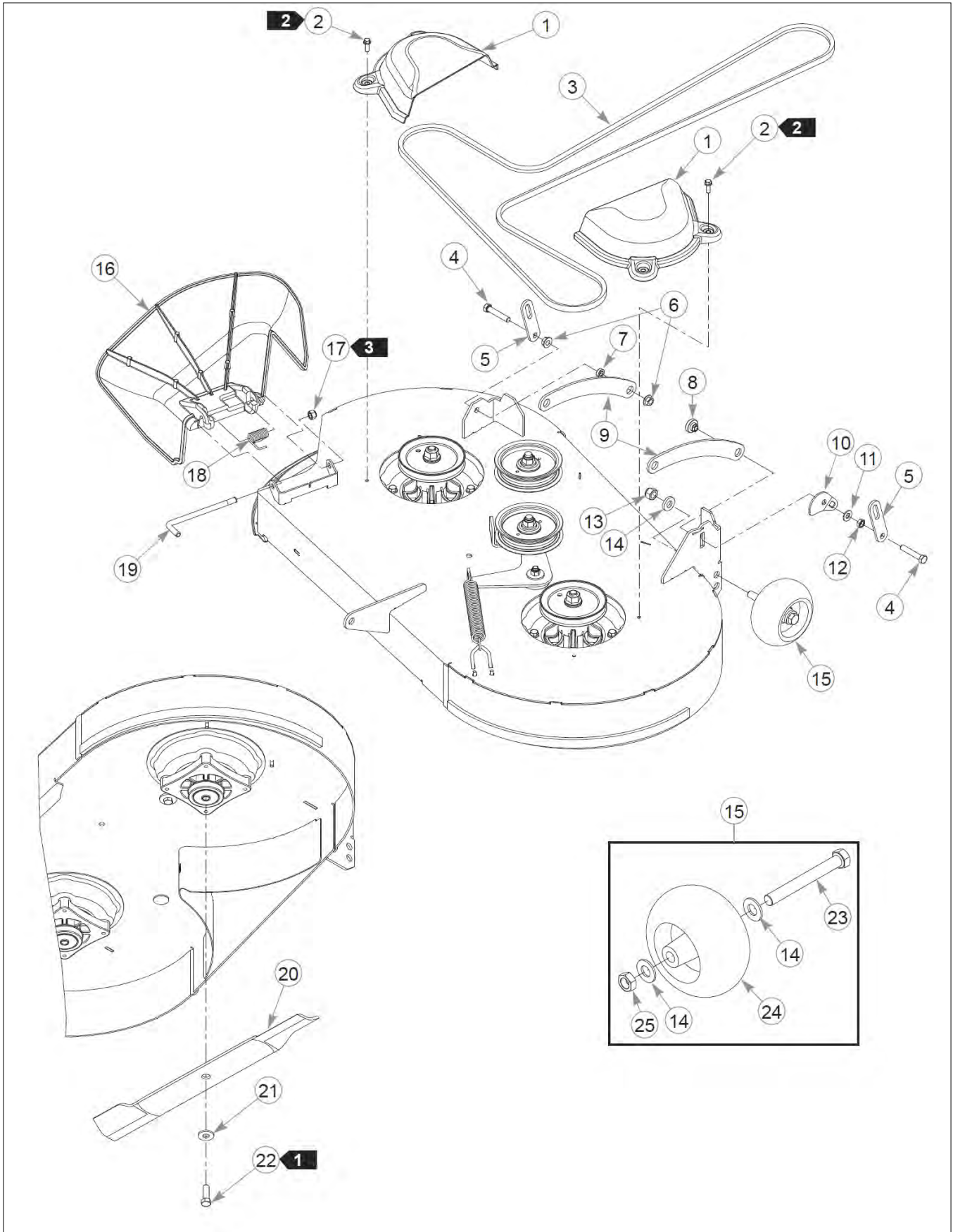
Item	Part No.	Name	Qty	Uom
1	781567	NT .500-13NLG5	2	EA
2	767962	FW .531 x 1.063 x .175	2	EA
3	603986	IDLER PULLEY, 4.00" FLAT	1	EA
4	086660	NT .375-16NLG8	1	EA
5	712893	FW 0.406X1.250X0.120	2	EA
6	117512	IDLER ARM, PIVOTING	1	EA
7	604291	IDLER SPRING	1	EA
8	604110	ANCHOR, SPRING TENSIONER	1	EA
9	601839	PIVOT SPACER BUSHING	1	EA
10	117539	SPACER, IDLER ARM	1	EA
11	604253	CB .50-13 X 2.00 STD ZN	1	EA
12	604172	NT .562-18 HX G5 ZN	2	EA
13	603987	PULLEY, 12 POINT	2	EA
14	604123	SPACER, PULLEY	2	EA
15	604219	IDLER PULLEY, 4.00" FLAT	1	EA
16	036236	CS .312-18X1.000HXG5	8	EA
17	768523	FW 0.343SAE	8	EA
18	080655	CS .375-16X1.500HXG5	1	EA
19	604254	CB .50-13 X 2.50 STD ZN	1	EA
20	604214	SPINDLE ASSY, RAPTOR	2	EA

Comments for Page: 42" Deck Pulleys & Spindles - S/N Prior to 1601A762

jmumford@excelii.com on Feb 3, 2014

1. Torque to 50–75 ft-lbs.
2. Torque to 18 ft-lbs.
3. Torque to 73 ft-lbs.
4. Torque to 30 ft-lbs. The idler arm should pivot freely.

Deck



Item	Part No.	Name	Qty	Uom
1	604403	PULLEY COVER	2	EA
2	604324	CS .250-20 X .75 HX FLG	4	EA
3	793828	BELT,A 116" EL	1	EA
4	016410	CS .375-16X2.000HXG5	2	EA
5	116157	LINK, DECK LIFT	2	EA
6	016899	NT .375-16 FLKG5	2	EA
7	601839	PIVOT SPACER BUSHING	1	EA
8	605016	NUT, DECK LEVELING	1	EA
9	116155	DECK LINK	2	EA
10	116911	CAM, DECK LEVELER	1	EA
11	767954	FW 0.379 x 0.813 x 0.063	1	EA
12	706168	NT .375-16JAMG5	1	EA
13	781567	NT .500-13NLG5	1	EA
14	767962	FW .531 x 1.063 x .175	3	EA
15	788166	WHEEL ASSY, ANTI SCALP	1	EA
16	604268	DISCHARGE CHUTE	1	EA
17	086660	NT .375-16NLG8	1	EA
18	604331	CHUTE SPRING	1	EA
19	604346	PIN, DISCHARGE CHUTE	1	EA
20	603992	BLADE, 20.50", -M-F-CW	2	EA
REF	793794	BLADE,20.50"-L-F-CW	2	EA
REF	794685	BLADE, F20.50"-H-F-CW	2	EA
REF	793935	BLADE,20.50"-CAT-F-CW	2	EA
REF	794214	BLADE,20.50"-MUL-F-CW	2	EA
REF	794230	BLADE,20.50"GAT-F-CW	2	EA
21	602680	FW .453X 1.12X .119 HRD	2	EA
22	754101	CS .437-20X1.250HXG5	2	EA
23	781708	CS .500-13X4.250HXG5	1	EA
24	031997	ANTI-SCALP WHEEL	1	EA

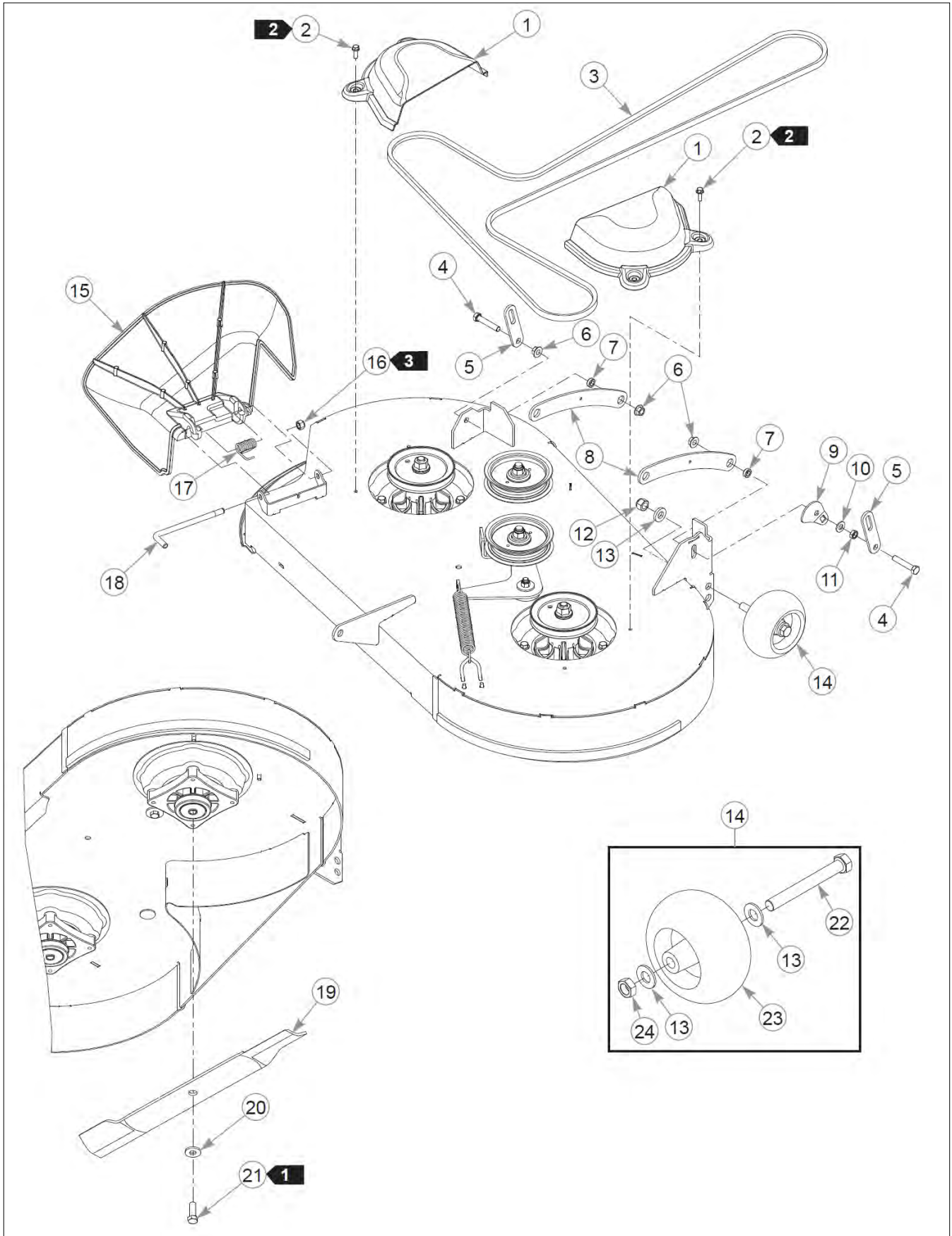
Item	Part No.	Name	Qty	Uom
25	053199	NT .500-13JAMG5	1	EA

Comments for Page: 42" Deck - S/N 14030001 & Higher

jmumford@excelii.com on Apr 1, 2014

1. Torque to 48 ft-lbs.
2. Torque to 8 ft-lbs on these 4 self-tapping screws.
3. Do not torque. The discharge chute must pivot freely.
4. The plastic wheel assembly includes hardware.

Deck



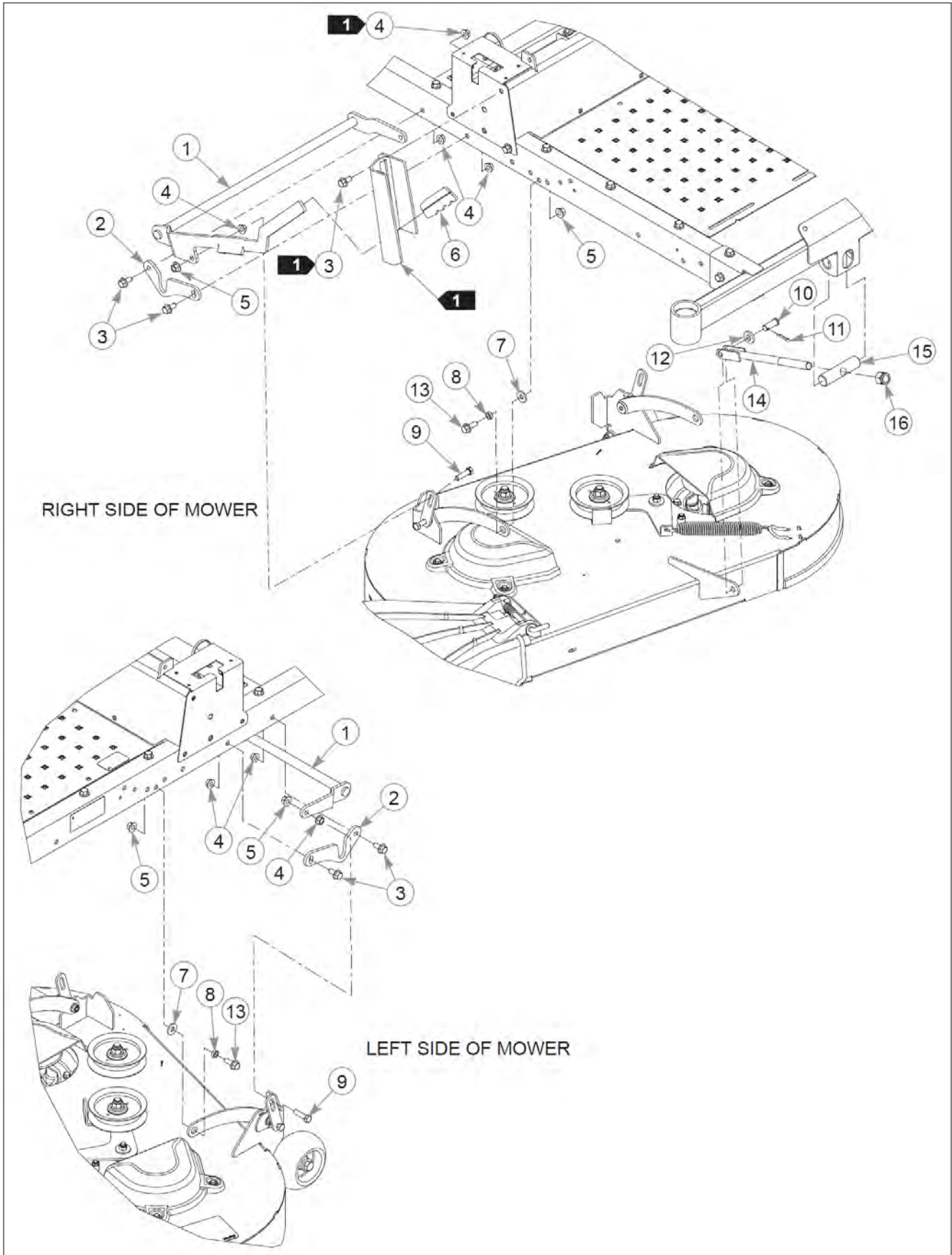
Item	Part No.	Name	Qty	Uom
1	604403	PULLEY COVER	2	EA
2	604324	CS .250-20 X .75 HX FLG	4	EA
3	793828	BELT,A 116" EL	1	EA
4	016410	CS .375-16X2.000HXG5	2	EA
5	116157	LINK, DECK LIFT	2	EA
6	016899	NT .375-16 FLKG5	3	EA
7	601839	PIVOT SPACER BUSHING	2	EA
8	116155	DECK LINK	2	EA
9	116911	CAM, DECK LEVELER	1	EA
10	767954	FW 0.379 x 0.813 x 0.063	1	EA
11	706168	NT .375-16JAMG5	1	EA
12	781567	NT .500-13NLG5	1	EA
13	767962	FW .531 x 1.063 x .175	3	EA
14	788166	WHEEL ASSY, ANTI SCALP	1	EA
15	604268	DISCHARGE CHUTE	1	EA
16	086660	NT .375-16NLG8	1	EA
17	604331	CHUTE SPRING	1	EA
18	604346	PIN, DISCHARGE CHUTE	1	EA
19	603992	BLADE, 20.50", -M-F-CW	2	EA
REF	793794	BLADE,20.50"-L-F-CW	2	EA
REF	794685	BLADE, F20.50"-H-F-CW	2	EA
REF	793935	BLADE,20.50"-CAT-F-CW	2	EA
REF	794214	BLADE,20.50"-MUL-F-CW	2	EA
REF	794230	BLADE,20.50"GAT-F-CW	2	EA
20	602680	FW .453X 1.12X .119 HRD	2	EA
21	754101	CS .437-20X1.250HXG5	2	EA
22	781708	CS .500-13X4.250HXG5	1	EA
23	031997	ANTI-SCALP WHEEL	1	EA
24	053199	NT .500-13JAMG5	1	EA

Comments for Page: 42" Deck - S/N Prior to 14030001

admin@excelindustries.com on Jan 16, 2014

1. Torque to 48 ft-lbs.
2. Torque to 8 ft-lbs on these 4 self-tapping screws.
3. Do not torque. The discharge chute must pivot freely.
4. The plastic wheel assembly includes hardware.

Deck



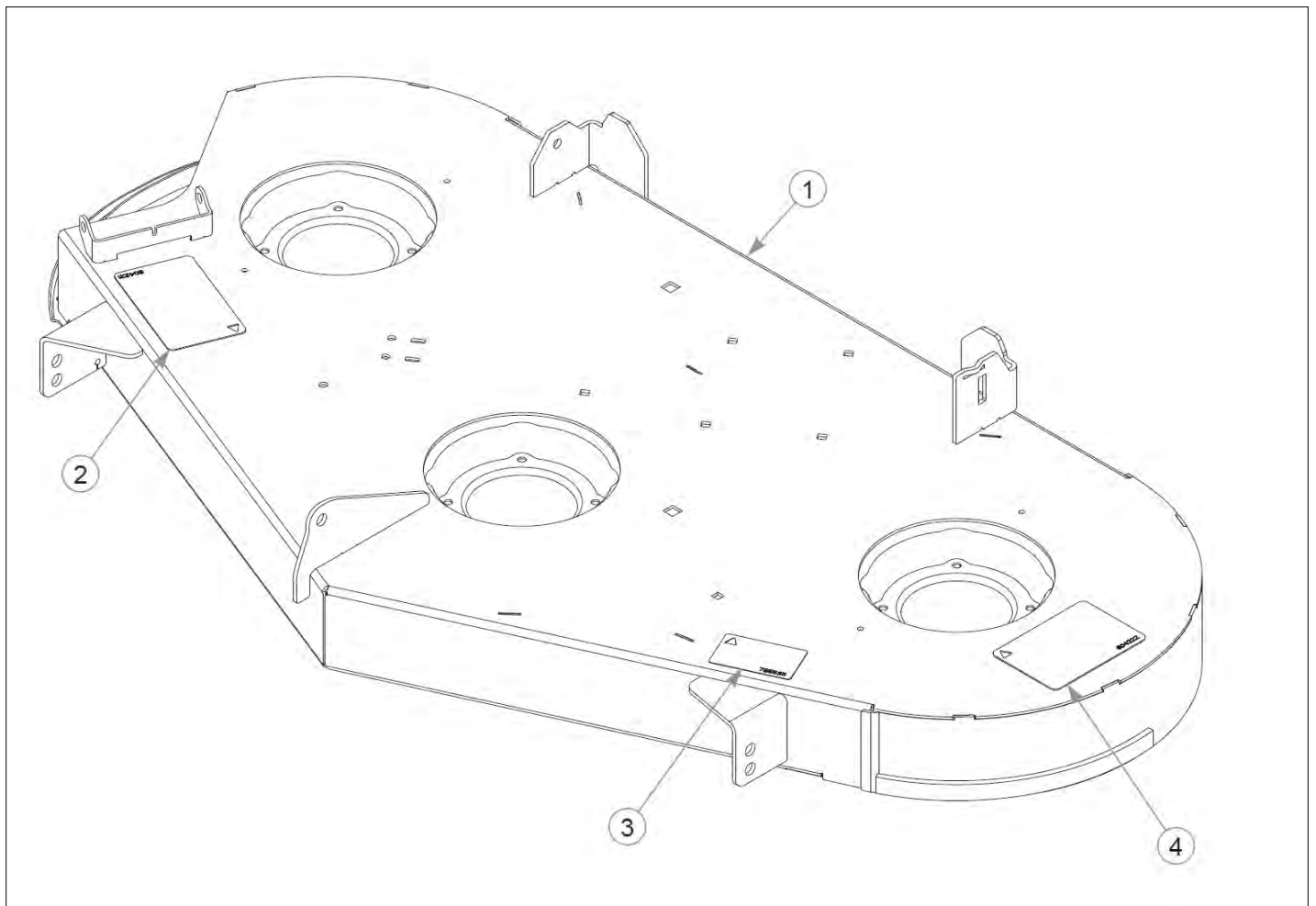
Item	Part No.	Name	Qty	Uom
1	120677	HANDLE W/A, DECK LIFT	1	EA
2	116151	PIVOT BLOCK, DECK LIFT	2	EA
3	029629	CS .375-16X0.750FLK	4	EA
4	016899	NT .375-16 FLKG5	6	EA
5	604515	NT .375-16 FL NY GF	4	EA
6	604377	GRIP, 1/4 X 1.000 BLACK	1	EA
7	712919	FW 0.406X1.000X0.120HD	2	EA
8	601839	PIVOT SPACER BUSHING	2	EA
9	005116	CS .375-16X1.375	2	EA
10	027714	CE0.500X1.250X.156X1.093	1	EA
11	017251	CP .156DX1.000 LG HML Z	1	EA
12	767962	FW .531 x 1.063 x .175	1	EA
13	029751	CS .375-16X1.000 HXFLK	2	EA
14	605496	HD DECK LIFT ROD, W/A	1	EA
15	605495	HD PIVOT PIN, DECK LIFT	1	EA
16	058768	NT .625-11 HXZY NY	1	EA

Comments for Page: 36" & 42" Deck Lift

jmumford@excelii.com on Jul 9, 2014

1. Parts located in the Transmission & Steering Section, Steering Cover Assembly page.

Deck



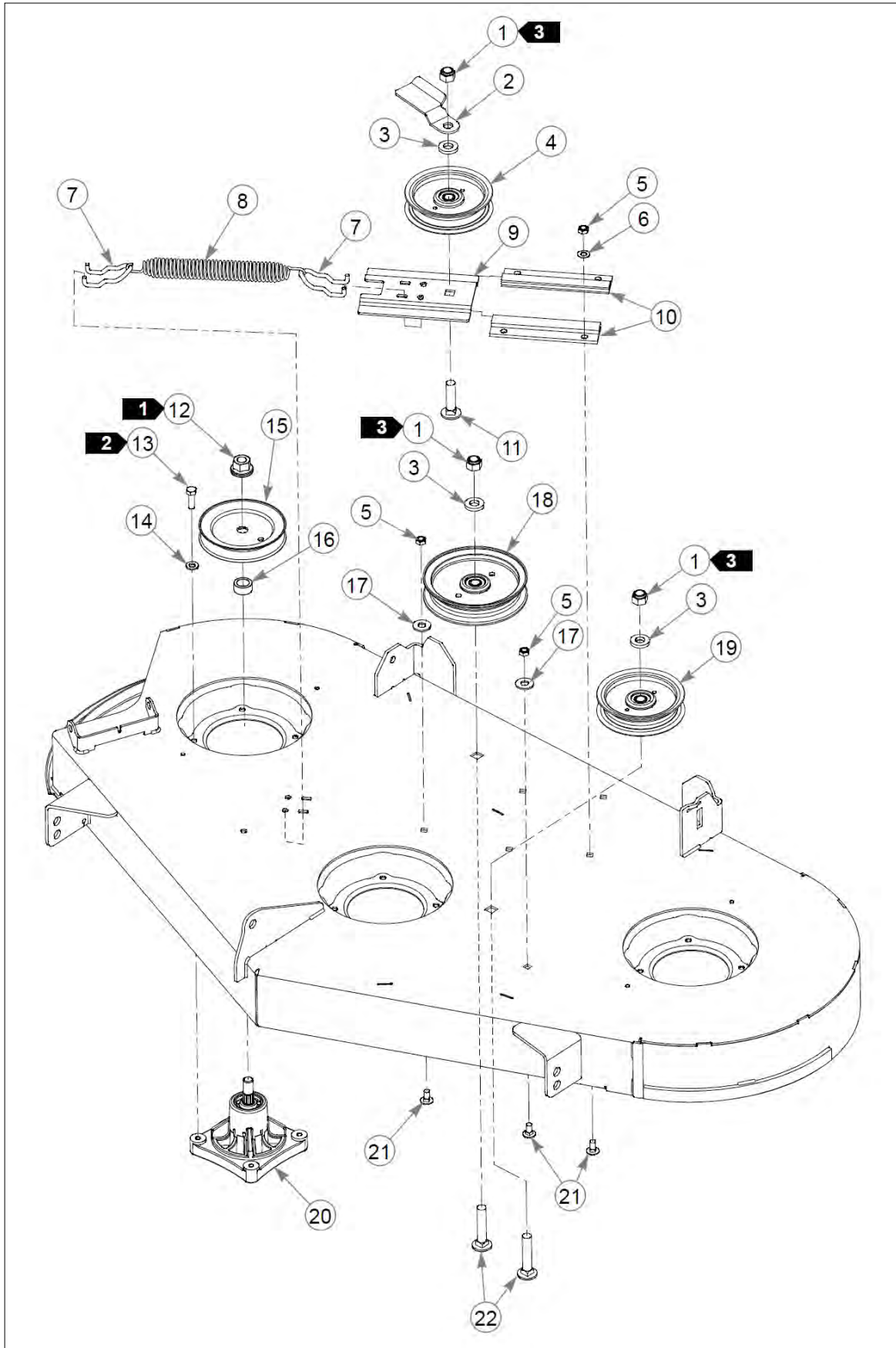
Item	Part No.	Name	Qty	Uom
1	552346	SVC, DECK 52"	1	EA
2	604221	DECAL, DANGER / CHUTE	1	EA
3	785535	DECAL, 52 DECK ID	1	EA
4	604222	DECAL, DANGER / OBJECTS	1	EA

Comments for Page: 52" Service Deck

jmumford@excelii.com on Feb 3, 2014

1. The deck includes decals.

Deck



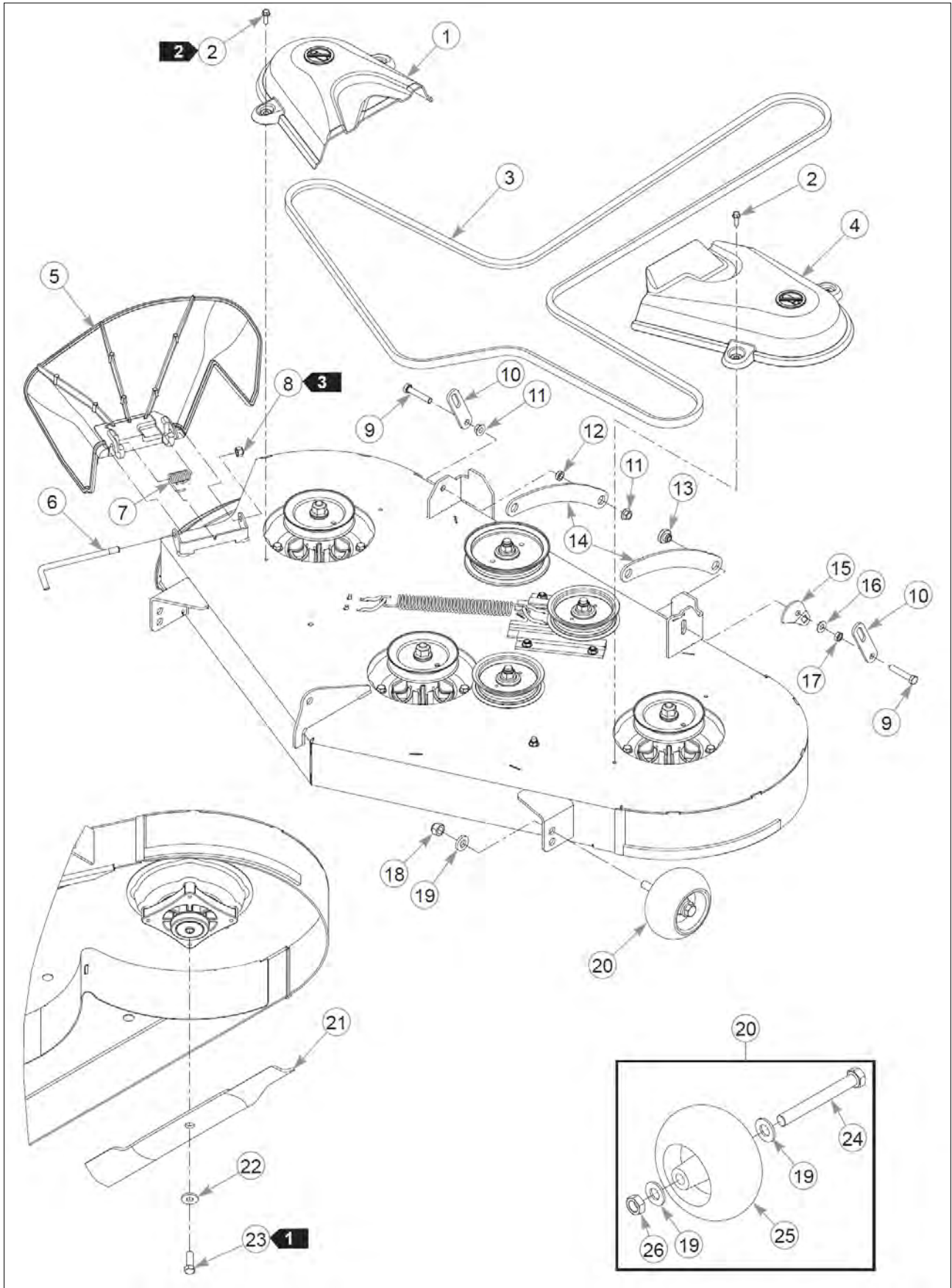
Item	Part No.	Name	Qty	Uom
1	781567	NT .500-13NLG5	3	EA
2	121780	BELT GUIDE	1	EA
3	767962	FW .531 x 1.063 x .175	3	EA
4	603986	IDLER PULLEY, 4.00" FLAT	1	EA
5	604251	NT .312-18 HXNL JAM G2ZN	6	EA
6	604252	FW .340 X .675 X .035 ZN	4	EA
7	604110	ANCHOR, SPRING TENSIONER	2	EA
8	122388	SPRING	1	EA
9	604194	SLED, IDLER	1	EA
10	604079	IDLER SLIDE, EXTRUDED	2	EA
11	604253	CB .50-13 X 2.00 STD ZN	1	EA
12	604172	NT .562-18 HX G5 ZN	3	EA
13	036236	CS .312-18X1.000HXG5	12	EA
14	768523	FW 0.343SAE	12	EA
15	603988	PULLEY, DRIVE "B-SEC"	3	EA
16	604123	SPACER, PULLEY	3	EA
17	017129	FW .440X1.000X0.083	2	EA
18	604231	PULLEY, IDLER 5.00" O.D.	1	EA
19	604219	IDLER PULLEY, 4.00" FLAT	1	EA
20	604214	SPINDLE ASSY, RAPTOR	3	EA
21	083147	CB .312-18X .620 G5 ZN	6	EA
22	604254	CB .50-13 X 2.50 STD ZN	2	EA

Comments for Page: 52" Deck Pulleys & Spindles

jmumford@excelii.com on Jul 10, 2014

1. Torque to 50–75 ft-lbs.
2. Torque to 18 ft-lbs.
3. Torque to 73 ft-lbs.

Deck



Item	Part No.	Name	Qty	Uom
1	604337	PULLEY COVER RH	1	EA
2	604324	CS .250-20 X .75 HX FLG	4	EA
3	791988	BELT,B 140.77" EL	1	EA
4	604338	PULLEY COVER LH	1	EA
5	604268	DISCHARGE CHUTE	1	EA
6	604346	PIN, DISCHARGE CHUTE	1	EA
7	604331	CHUTE SPRING	1	EA
8	086660	NT .375-16NLG8	1	EA
9	016410	CS .375-16X2.000HXG5	2	EA
10	116157	LINK, DECK LIFT	2	EA
11	016899	NT .375-16 FLKG5	2	EA
12	601839	PIVOT SPACER BUSHING	1	EA
13	605016	NUT, DECK LEVELING	1	EA
14	116155	DECK LINK	2	EA
15	116911	CAM, DECK LEVELER	1	EA
16	767954	FW 0.379 x 0.813 x 0.063	1	EA
17	706168	NT .375-16JAMG5	1	EA
18	781567	NT .500-13NLG5	2	EA
19	767962	FW .531 x 1.063 x .175	4	EA
20	788166	WHEEL ASSY, ANTI SCALP	2	EA
21	603995	BLADE, 17.86" -M-F-CW	3	EA
Not Shown	783753	BLADE,17.86"-L-F-CW	3	EA
Not Shown	787721	BLADE,17.86"-H-F-CW	3	EA
Not Shown	603848	BLADE, 17.86"-CAT-F-CW	3	EA
Not Shown	794198	BLADE,17.86"-MUL-F-CW	3	EA
Not Shown	785436	BLADE,17.86"-GAT-F-CW	3	EA
22	602680	FW .453X 1.12X .119 HRD	3	EA

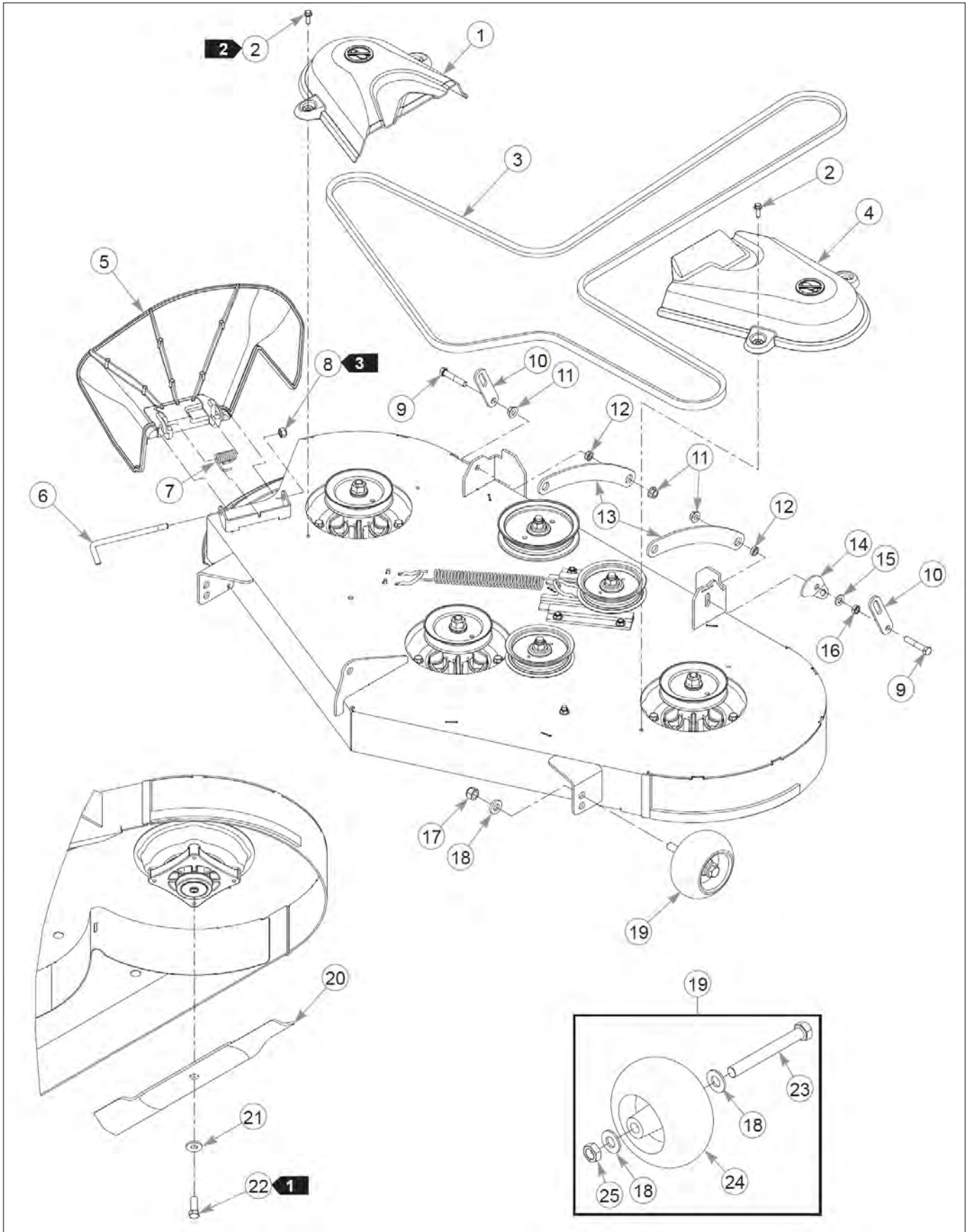
Item	Part No.	Name	Qty	Uom
23	754101	CS .437-20X1.250HXG5	3	EA
24	781708	CS .500-13X4.250HXG5	1	EA
25	031997	ANTI-SCALP WHEEL	1	EA
26	053199	NT .500-13JAMG5	1	EA

Comments for Page: 52" Deck - S/N 14030001 & Higher

jmumford@excelii.com on May 8, 2015

1. Torque to 48 ft-lbs.
2. Torque to 8 ft-lbs on these 4 self-tapping screws.
3. Do not torque; the discharge chute must pivot freely.
4. The plastic wheel assembly includes hardware.

Deck



Item	Part No.	Name	Qty	Uom
1	604337	PULLEY COVER RH	1	EA
2	604324	CS .250-20 X .75 HX FLG	4	EA
3	791988	BELT,B 140.77" EL	1	EA
4	604338	PULLEY COVER LH	1	EA
5	604268	DISCHARGE CHUTE	1	EA
6	604346	PIN, DISCHARGE CHUTE	1	EA
7	604331	CHUTE SPRING	1	EA
8	086660	NT .375-16NLG8	1	EA
9	016410	CS .375-16X2.000HXG5	2	EA
10	116157	LINK, DECK LIFT	2	EA
11	016899	NT .375-16 FLKG5	3	EA
12	601839	PIVOT SPACER BUSHING	2	EA
13	116155	DECK LINK	2	EA
14	116911	CAM, DECK LEVELER	1	EA
15	767954	FW 0.379 x 0.813 x 0.063	1	EA
16	706168	NT .375-16JAMG5	1	EA
17	781567	NT .500-13NLG5	2	EA
18	767962	FW .531 x 1.063 x .175	6	EA
19	788166	WHEEL ASSY, ANTI SCALP	2	EA
20	603995	BLADE, 17.86" -M-F-CW	3	EA
Not Shown	783753	BLADE,17.86"-L-F-CW	3	EA
Not Shown	787721	BLADE,17.86"-H-F-CW	3	EA
Not Shown	603848	BLADE, 17.86"-CAT-F-CW	3	EA
Not Shown	794198	BLADE,17.86"-MUL-F-CW	3	EA
Not Shown	785436	BLADE,17.86"-GAT-F-CW	3	EA
21	602680	FW .453X 1.12X .119 HRD	3	EA
22	754101	CS .437-20X1.250HXG5	3	EA

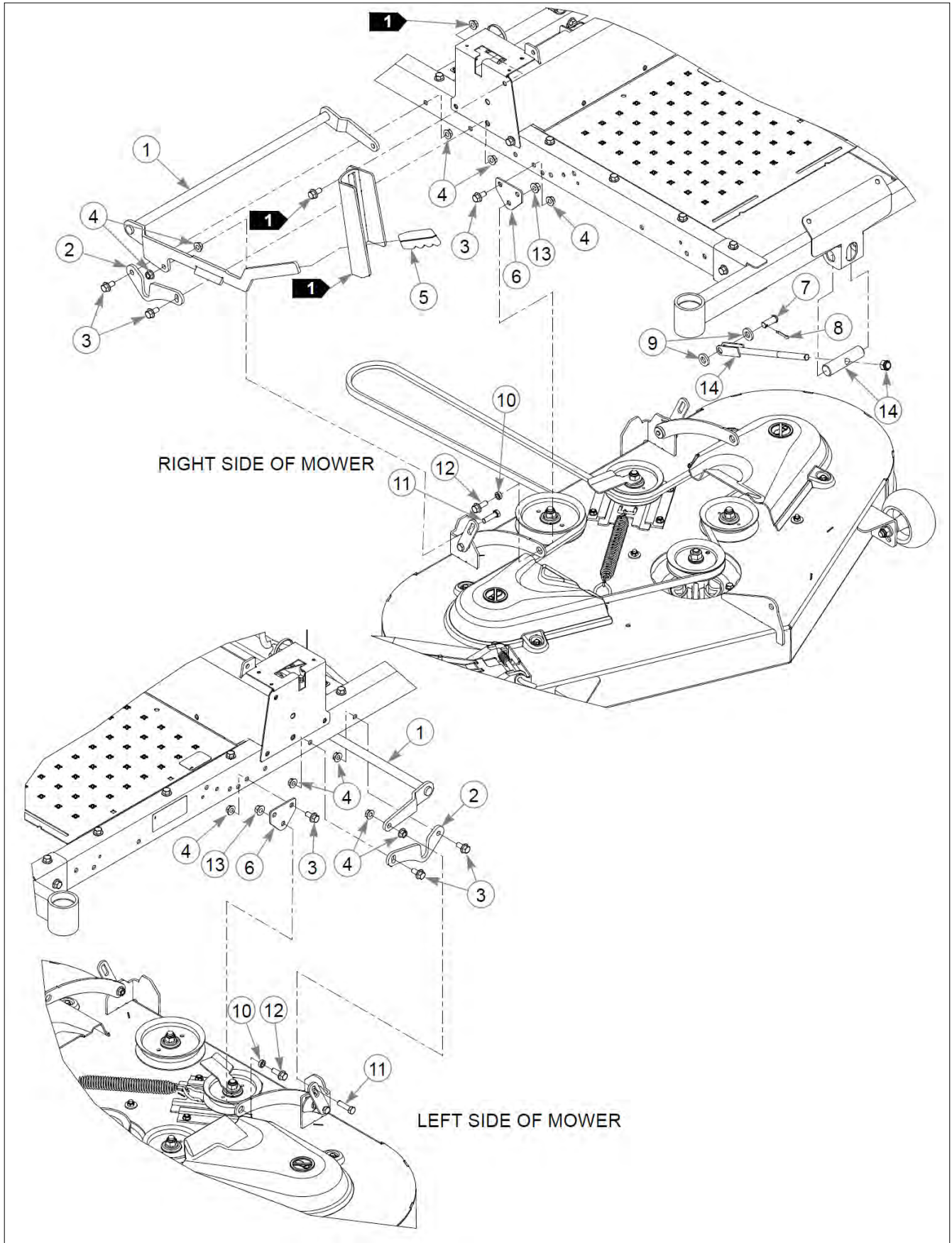
Item	Part No.	Name	Qty	Uom
23	781708	CS .500-13X4.250HXG5	1	EA
24	031997	ANTI-SCALP WHEEL	1	EA
25	053199	NT .500-13JAMG5	1	EA

Comments for Page: 52" Deck - S/N Prior to 14030001

jmumford@excelii.com on May 8, 2015

1. Torque to 48 ft-lbs.
2. Torque to 8 ft-lbs on these 4 self-tapping screws.
3. Do not torque; the discharge chute must pivot freely.
4. The plastic wheel assembly includes hardware.

Deck



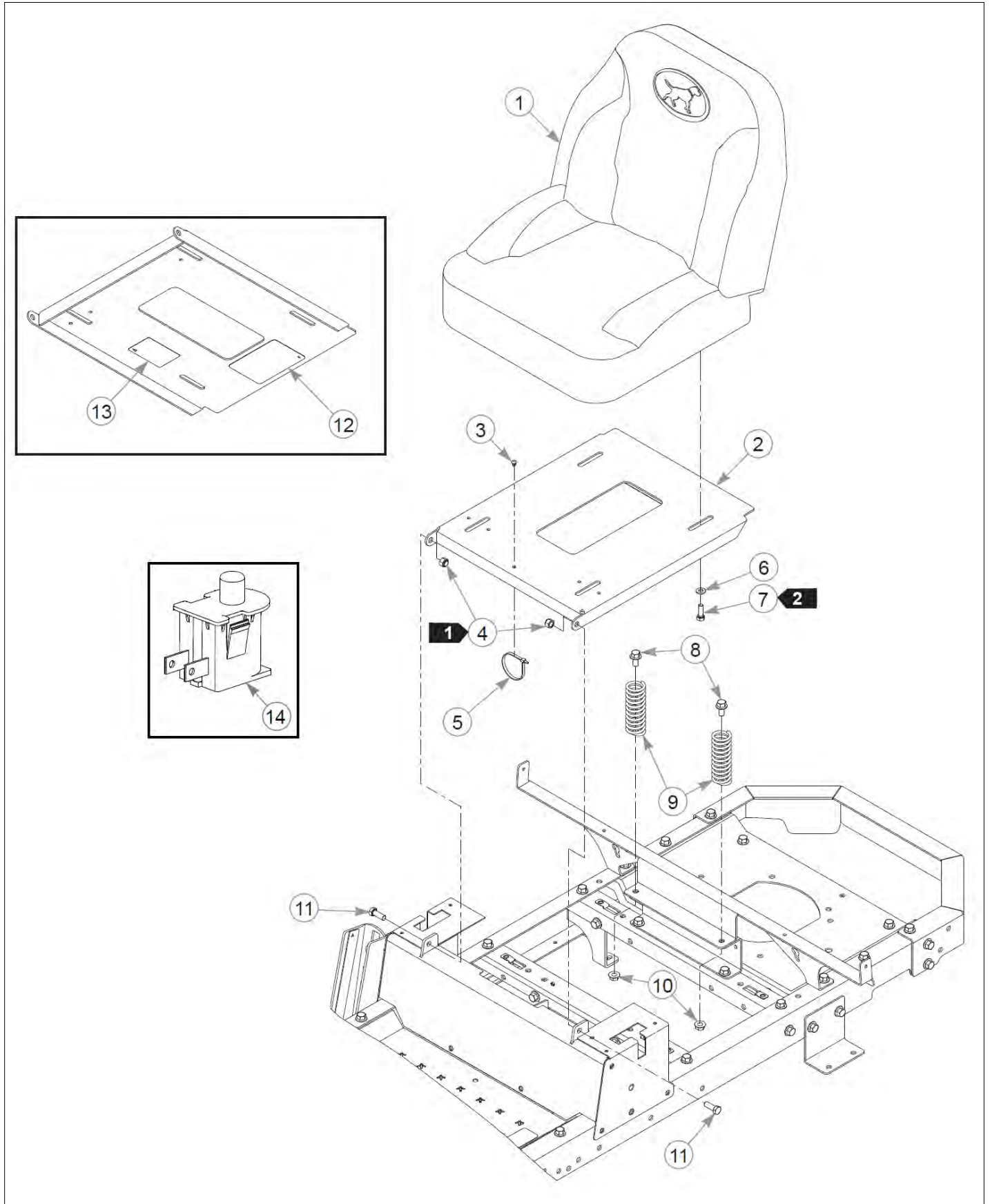
Item	Part No.	Name	Qty	Uom
1	120677	HANDLE W/A, DECK LIFT	1	EA
2	116151	PIVOT BLOCK, DECK LIFT	2	EA
3	029629	CS .375-16X0.750FLK	8	EA
4	016899	NT .375-16 FLKG5	12	EA
5	604377	GRIP, 1/4 X 1.000 BLACK	1	EA
6	116916	PLATE, DECK LINK	2	EA
7	027714	CE0.500X1.250X.156X1.093	1	EA
8	017251	CP .156DX1.000 LG HML Z	1	EA
9	767962	FW .531 x 1.063 x .175	2	EA
10	601839	PIVOT SPACER BUSHING	2	EA
11	005116	CS .375-16X1.375	2	EA
12	029751	CS .375-16X1.000 HXFLK	2	EA
13	604515	NT .375-16 FL NY GF	2	EA
14	121232	KIT, DECK PIVOT	1	EA
<p>Comments for Part Num. 121232</p> <p>jmumford@excelii.com on Sep 16, 2014</p> <p>Kit contains Heavy Duty Deck Lift Rod, Heavy Duty Deck Lift Pivot, and Nut (P/N 058768).</p>				

Comments for Page: 52" Deck Lift

jmumford@excelii.com on Feb 3, 2014

1. Parts located in the Transmission & Steering Section, Steering Cover Assembly page.

Seat & ROPS



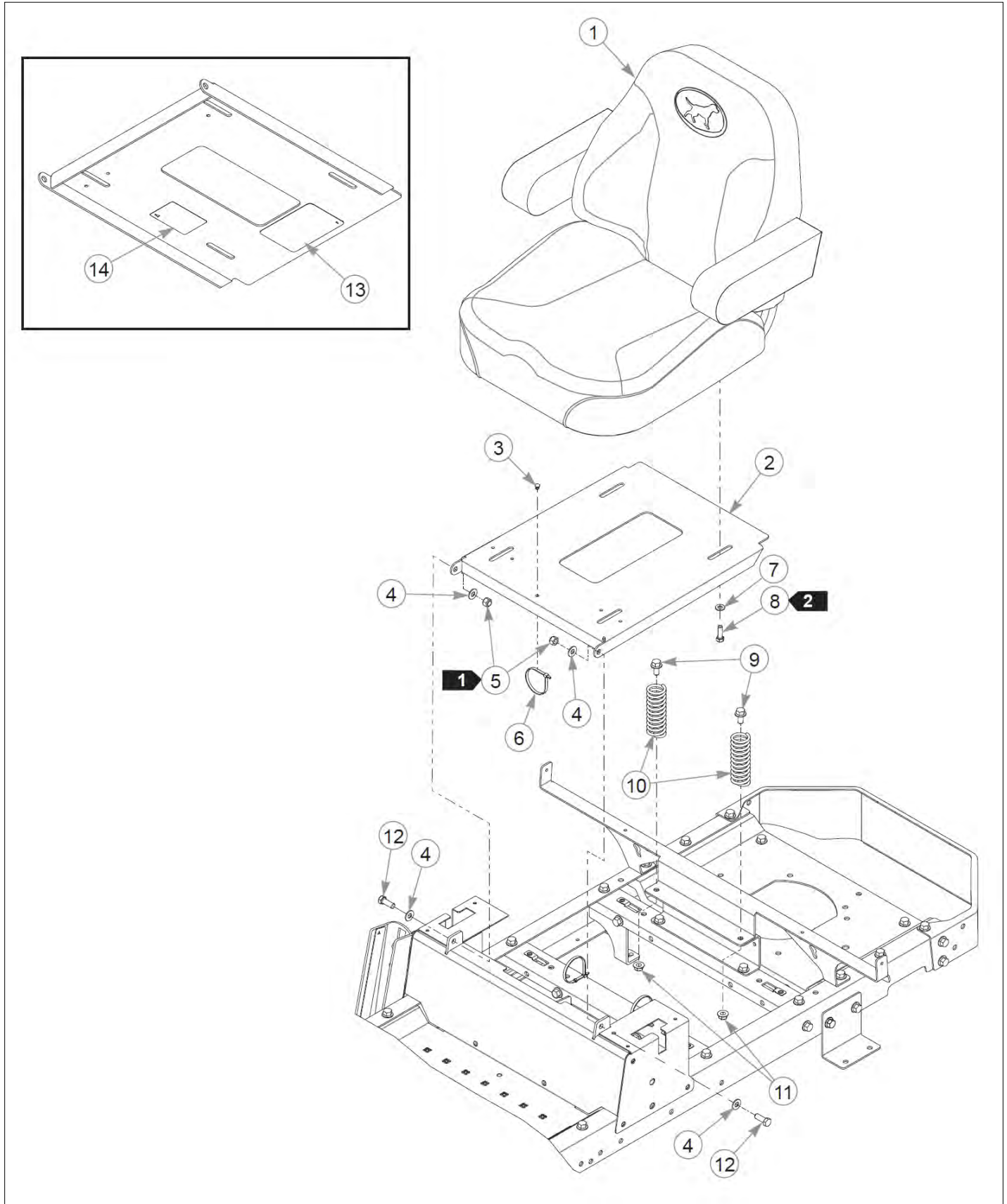
Item	Part No.	Name	Qty	Uom
1	605023	SEAT, SK250 NO ARMREST	1	EA
2	552379	SERVICE, SEAT PAN	1	EA
3	604307	MOUNT, PUSH BUTTON	1	EA
4	086660	NT .375-16NLG8	2	EA
5	000331	WIRE TIE, SMALL/SHORT	1	EA
6	768523	FW 0.343SAE	4	EA
7	036236	CS .312-18X1.000HXG5	4	EA
8	029629	CS .375-16X0.750FLK	2	EA
9	793851	SPRING,COMP 1.25X4.00X.	2	EA
10	016899	NT .375-16 FLKG5	2	EA
11	036244	CS .375-16X1.000HXG5	2	EA
12	601815	DECAL, BATTERY WARNINGS	1	EA
13	602243	DECAL, BELT ROUTING	1	EA
14	793315	SWITCH, SEAT	1	EA

Comments for Page: Seat without Armrests

jmumford@excelii.com on Feb 3, 2014

1. Do not torque; the seat pan must pivot freely.
2. Torque to 7 ft-lbs.
3. The seat pan (552379) includes the decals.

Seat & ROPS



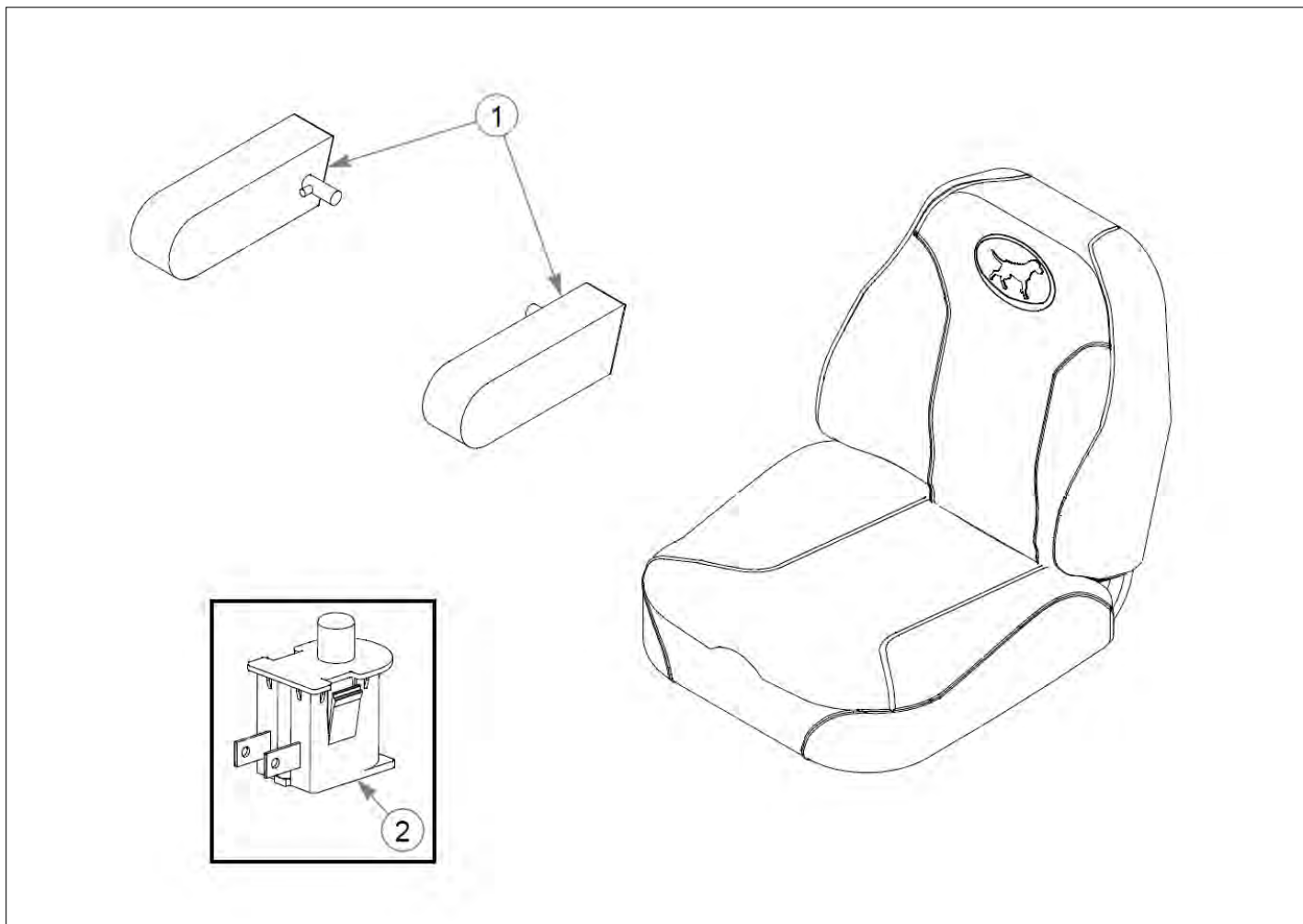
Item	Part No.	Name	Qty	Uom
1	605009	SEAT, SEAT KING 221	1	EA
2	552379	SERVICE, SEAT PAN	1	EA
3	604307	MOUNT, PUSH BUTTON	1	EA
4	767954	FW 0.379 x 0.813 x 0.063	4	EA
5	086660	NT .375-16NLG8	2	EA
6	000331	WIRE TIE, SMALL/SHORT	1	EA
7	768523	FW 0.343SAE	4	EA
8	036236	CS .312-18X1.000HXG5	4	EA
9	029629	CS .375-16X0.750FLK	2	EA
10	793851	SPRING,COMP 1.25X4.00X.	2	EA
11	016899	NT .375-16 FLKG5	2	EA
12	036244	CS .375-16X1.000HXG5	2	EA
13	601815	DECAL, BATTERY WARNINGS	1	EA
14	602243	DECAL, BELT ROUTING	1	EA

Comments for Page: Seat with Armrests

jmumford@excelii.com on Jul 9, 2014

1. Do not torque; the seat pan must pivot freely.
2. Torque to 7 ft-lbs.
3. The seat pan (552379) includes the decals.
4. 602243 is used on 42" mowers.
781419 is used on 52" mowers.

Seat & ROPS



Item	Part No.	Name	Qty	Uom
Not Shown	605009	SEAT, SEAT KING 221	1	EA
1	119783	KIT, ARMREST	1	EA
2	793315	SWITCH, SEAT	1	EA

Appendix A:Pages Index	Page)	6-3
36" & 42" Deck Lift	Engine, Kohler KT725, KT735 & KT610 (Multi-Page)	6-6
36" Deck	6-6	
36" Deck Pulleys & Spindles	Fenders & Instrument Panel - Kawasaki Engines	3-5
36" Frame—S/N 16050225 & Higher	Fenders & Instrument Panel - Kohler Engines	3-6
36" Frame—SN Prior to 16050225	Front Wheel Breakdown	5-3
36" Service Deck	Fuel System, Kawasaki	6-5
42" & 52" Frame—S/N 16053188 & Higher	Fuel System, Kohler	6-9
42" & 52" Frame—S/N Prior to 16053188	General Information	1
42" Deck - S/N 14030001 & Higher	Lights	3-9
42" Deck - S/N Prior to 14030001	Seat Service Parts - 605009	8-3
42" Deck Pulleys & Spindles - S/N 1601A762 & Higher	Seat with Armrests	8-2
42" Deck Pulleys & Spindles - S/N Prior to 1601A762	Seat without Armrests	8-1
42" Service Deck	Steering & Brake—S/N 16053188 & Higher	4-3
52" Deck - S/N 14030001 & Higher	Steering & Brake—S/N Prior to 16053188	4-4
52" Deck - S/N Prior to 14030001	Steering Cover Assembly	4-5
52" Deck Lift	Transmission Assembly (Multi-Page)	4-1
52" Deck Pulleys & Spindles	Transmission Service Parts	4-2
52" Service Deck	Wheel & Tire - 36" Mowers	5-1
Battery	Wheel & Tire - 42" & 52" Mowers	5-2
Drive Wheel Breakdown - 18 x 7.0-8		
Drive Wheel Breakdown - 18 x 8.5-8		
Engine Guard		
Engine Service Parts - Kawasaki FR541V		
Engine Service Parts - Kawasaki FR651V & FR691V		
Engine Service Parts - Kohler PRO Performance Engine		
Engine Service Parts - Kohler Standard Engine		
Engine, Kawasaki FR541V (Multi-Page)		
Engine, Kawasaki FR651V & FR691V (Multi-		

Appendix B:Parts Index

000323	6-1, 6-3, 6-6	043067	4-1
000331	3-1, 3-2, 3-3, 3-4, 3-5, 3-6, 3-7, 3-9, 6-1, 6-3, 6-5, 6-6, 6-9, 8-1, 8-2	044255	6-1, 6-3, 6-6
000430	3-9	045898	3-5, 3-6
005108	4-1, 4-5	048553	4-3, 4-4
005116	7-9, 7-14	053199	7-3, 7-7, 7-8, 7-12, 7-13
015818	6-1, 6-3, 6-6	054502	4-1, 4-4
016253	3-8	055939	3-7, 4-5, 6-1, 6-3, 6-5, 6-6, 6-9
016410	7-3, 7-7, 7-8, 7-12, 7-13	055947	3-5, 3-6
016832	3-8	056036	4-1
016899	3-1, 3-2, 3-3, 3-4, 3-5, 3-6, 3-8, 4-1, 4-3, 4-4, 4-5, 6-1, 6-3, 6-6, 7-3, 7-7, 7-8, 7-9, 7-12, 7-13, 7-14, 8-1, 8-2	058768	7-9
017038	6-6	058776	4-1, 4-5
017129	7-11	059832	3-5, 3-6
017251	7-9, 7-14	061077	5-1, 5-2
019521	5-4, 5-5	063198	4-5
023655	4-3	068478	6-2, 6-4, 6-7, 6-8
024927	3-7, 6-1, 6-3, 6-6	068551	4-1, 4-3, 4-4
027714	7-9, 7-14	080655	4-1, 4-4, 7-2, 7-5, 7-6
029629	3-1, 3-2, 3-3, 3-4, 3-5, 3-6, 3-8, 4-3, 4-4, 4-5, 7-9, 7-14, 8-1, 8-2	083147	7-2, 7-11
029751	4-3, 4-4, 7-9, 7-14	086660	4-1, 4-5, 7-2, 7-3, 7-5, 7-6, 7-7, 7-8, 7-12, 7-13, 8-1, 8-2
029868	3-7, 6-6	110370	4-3, 4-4
029876	6-1, 6-3	114052	3-5, 3-6
030817	6-1, 6-3, 6-6	116141	4-5
031997	7-3, 7-7, 7-8, 7-12, 7-13	116142	4-5
033035	6-5, 6-9	116143	4-1
034272	4-3, 4-4	116144	4-3, 4-4
036236	7-2, 7-5, 7-6, 7-11, 8-1, 8-2	116151	7-9, 7-14
036244	6-1, 6-3, 6-6, 8-1, 8-2	116155	7-3, 7-7, 7-8, 7-12, 7-13
037887	7-5	116157	7-3, 7-7, 7-8, 7-12, 7-13
041152	4-3, 4-4	116218	4-1
		116287	4-1
		116289	4-1
		116290	6-1, 6-3
		116911	7-3, 7-7, 7-8, 7-12, 7-13

116916	7-14	552345	7-4
117059	6-5, 6-9	552346	7-10
117060	6-5, 6-9	552379	8-1, 8-2
117512	7-5, 7-6	552420	3-2, 3-4
117539	7-2, 7-5, 7-6	552421	3-1, 3-2, 3-3, 3-4
119236	3-8	552422	3-1, 3-2, 3-3, 3-4
119603	3-8	552423	3-1, 3-2, 3-3, 3-4
119783	8-3	552424	3-1, 3-2, 3-3, 3-4
119936	7-2	552432	3-5, 3-6
120677	7-9, 7-14	552456	4-5
121232	7-14	552706	7-1
121625	6-6	553214	3-6
121780	7-11	553643	3-1, 3-3
122388	7-5, 7-11	600899	3-1, 3-2, 3-3, 3-4
122398	7-5	601051	4-1
123634-3	4-1	601053	3-5, 3-6
123636-3	3-1, 3-2, 3-3, 3-4	601069	4-3, 4-4
123637-3	3-1, 3-2, 3-3, 3-4	601096	3-5
190026	5-3	601097	3-5
190181	3-9	601098	3-5, 3-6
190183	3-1, 3-2, 3-3, 3-4	601131	4-1
190184	3-1, 3-2, 3-3, 3-4	601400	6-5, 6-9
190185	3-1, 3-2, 3-3, 3-4	601433	4-2
190186	3-1, 3-2, 3-3, 3-4	601815	8-1, 8-2
190187	3-1, 3-2, 3-3, 3-4	601822	4-5
190188	3-3, 3-4	601839	7-2, 7-3, 7-5, 7-6, 7-7, 7-8, 7-9, 7-12, 7-13, 7-14
190189	3-1, 3-2, 3-3, 3-4	601967	3-1, 3-2, 3-3, 3-4
190226	3-1, 3-2	601981	3-1, 3-2, 3-3, 3-4
190327	3-8	601982	3-1, 3-2, 3-3, 3-4, 3-5, 3-6, 3-7
306969	5-3	602041	3-1, 3-2, 3-3, 3-4
344267	5-1, 5-2	602094	4-2
36244	4-3	602243	8-1, 8-2
551912	4-5	602580	6-1, 6-3
552300	3-5	602581	6-2, 6-4

602680 . . . 6-1, 6-3, 6-6, 7-3, 7-7, 7-8, 7-12, 7-13	604231 7-11
602971 6-1	604240 6-2
602999 6-1	604244K 6-1, 6-3
603059 6-4	604251 7-2, 7-5, 7-11
603332 4-4	604252 7-11
603617 6-6	604253 7-2, 7-5, 7-6, 7-11
603807 6-5, 6-9	604254 7-2, 7-5, 7-6, 7-11
603848 7-3, 7-12, 7-13	604267 5-5
603905 4-3, 4-4	604268 7-3, 7-7, 7-8, 7-12, 7-13
603907 4-1	604271 6-1, 6-3
603983 4-3, 4-4	604273 6-5, 6-9
603986 7-2, 7-5, 7-6, 7-11	604274 6-1, 6-3
603987 7-5, 7-6	604275 4-5
603988 7-11	604279 6-5, 6-9
603992 7-7, 7-8	604288 4-5
603995 7-3, 7-12, 7-13	604291 7-6
604016 6-3	604292 6-5, 6-9
604079 7-11	604299 4-5
604110 7-2, 7-5, 7-6, 7-11	604300 4-5
604123 7-2, 7-5, 7-6, 7-11	604307 3-1, 3-2, 3-3, 3-4, 3-9, 6-5, 6-9, 8-1, 8-2
604127 4-1	604322 6-5, 6-9
604128 4-1	604323 6-5, 6-9
604172 7-2, 7-5, 7-6, 7-11	604324 3-5, 3-6, 7-3, 7-7, 7-8, 7-12, 7-13
604173 4-3, 4-4	604331 7-3, 7-7, 7-8, 7-12, 7-13
604176 3-1, 3-2, 3-3, 3-4	604337 7-12, 7-13
604177 3-1, 3-2, 3-3, 3-4	604338 7-12, 7-13
604178 3-7	604343 4-1
604179 4-5	604346 7-3, 7-7, 7-8, 7-12, 7-13
604185 6-1, 6-3	604347 6-3
604194 7-11	604348 6-3
604214 7-2, 7-5, 7-6, 7-11	604350 6-1, 6-4
604219 7-2, 7-5, 7-6, 7-11	604369 6-1, 6-4
604221 7-1, 7-4, 7-10	604377 7-9, 7-14
604222 7-1, 7-4, 7-10	604403 7-3, 7-7, 7-8

604452	4-5	605443	7-2
604463	6-1, 6-3, 6-6	605495	7-9
604465	3-7	605496	7-9
604490	4-1	605529	4-5
604491	4-1	605574	6-6
604515	7-9, 7-14	605595	6-6
604718	5-3	605782	3-1, 3-2, 3-3
604876	3-5	605793	6-6
604889	3-5	605808	3-5, 3-6
604901	4-2	605814	6-6
604902	4-2	605827K	6-6
604903	4-2	605835	3-6
604962	5-3	605894	6-6
604963	5-2	605958	6-5, 6-5, 6-9
604964	5-5	605989	6-8
604966	6-6	605990	6-7
605003	3-9	605996	3-6
605009	8-2, 8-3	606020	6-7, 6-8
605010	3-9	606095	6-7
605016	7-3, 7-7, 7-12	606105	4-5
605023	8-1	606106	4-5
605072	3-5, 3-6	606422	6-6
605073	3-1, 3-2, 3-3, 3-4	606423	6-6
605074	4-5	606424	6-6
605082	3-5, 3-6	606575	4-3
605083	3-5, 3-6	704932	3-5, 3-6
605208	3-9	705954	5-1, 5-2
605209	3-9	706168	7-3, 7-7, 7-8, 7-12, 7-13
605254	7-3	706549	4-1
605263	5-1	707398	5-3
605264	5-4	710087	4-1
605273	4-3, 4-4	712372	6-6
605379	7-2	712893	4-1, 7-2, 7-5, 7-6
605433	5-4	712919	7-9

712976	5-1, 5-2	785139	4-5
713198	6-5, 6-9	785220	4-5
720516	6-1, 6-3	785436	7-3, 7-12, 7-13
747303	6-8	785535	7-10
754101	7-3, 7-7, 7-8, 7-12, 7-13	787721	7-3, 7-12, 7-13
765339	4-5	788166	7-3, 7-7, 7-8, 7-12, 7-13
767954	4-1, 4-3, 4-4, 6-1, 6-3, 6-6, 7-3, 7-7, 7-8, 7-12, 7-13, 8-2	788877	4-2
767962	5-3, 7-2, 7-3, 7-5, 7-6, 7-7, 7-8, 7-9, 7-11, 7-12, 7-13, 7-14	791251	6-1, 6-3, 6-6
768044	5-3	791988	7-12, 7-13
768515	3-7, 4-1, 4-3, 4-4, 4-5, 6-1, 6-3, 6-5, 6-6, 6-9	793315	8-1, 8-3
768523	4-1, 4-3, 4-4, 4-5, 7-2, 7-5, 7-6, 7-11, 8-1, 8-2	793513	7-1
768879	3-6	793521	7-4
769166	3-5, 3-6	793794	7-7, 7-8
771428	3-7	793828	7-7, 7-8
771824	7-3	793851	8-1, 8-2
772483	4-3, 4-4	793935	7-7, 7-8
772806	5-3	794198	7-3, 7-12, 7-13
772814	5-3	794214	7-7, 7-8
776476	3-5, 3-6	794230	7-7, 7-8
781153	4-5	794685	7-7, 7-8
781211	4-5	795047	4-2
781260	4-3, 4-4	798363	4-2
781567	4-5, 7-2, 7-3, 7-5, 7-6, 7-7, 7-8, 7-11, 7-12, 7-13	798371	4-2
781708	4-5, 7-3, 7-7, 7-8, 7-12, 7-13		
781922	4-3, 4-4		
783753	7-3, 7-12, 7-13		
784223	5-1, 5-2		
784603	5-1, 5-2		
785048	6-6		