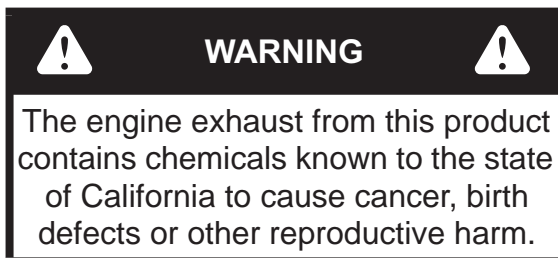


# BIGDOG<sup>®</sup> MOWER CO. ALPHA<sup>™</sup> MP

## Parts Manual



200 South Ridge Road  
Hesston, Kansas  
67062



#### NOTICE OF REQUIREMENT OF SPARK ARRESTER MUFFLER

This equipment may create sparks that can start fires around dry vegetation. California Public Resources Code Section 4442.6 provides that it is unlawful to use or operate an internal combustion engine on any forest-covered, brush-covered, or grass-covered land unless the engine is equipped with a spark arrester maintained in effective working order. A spark arrester is a device constructed of nonflammable materials specifically for the purpose of removing and retaining carbon and other flammable particles over 0.0232 of an inch in size from the exhaust flow of an internal combustion engine that uses hydrocarbon fuels or which is qualified and rated by the United States Forest Service. Other states or federal areas may have similar laws. The Operator Should Contact Local Fire Agencies For Laws or Regulations Relating to Fire Prevention Requirements. **THIS EQUIPMENT DOES NOT HAVE A SPARK ARRESTER AND YOU SHOULD CONTACT YOUR AUTHORIZED DEALER FOR THE PURCHASE OF A SPARK ARRESTER.**

Inspect spark arrester daily; replace every 500 hours or as needed.

The Engine Owner's Manual provides information regarding the U.S. Environmental Protection Agency (EPA) and the California Emission Control Regulation of emission systems, maintenance and warranty.

Keep Engine Owner's Manual with your unit. Should the Engine Owner's Manual become damaged or illegible, replace immediately. Replacements may be ordered per the information found in the Product Information section of the owner's manual.

Federal law and California State law prohibit the following acts or the causing thereof:

1. The removal or rendering inoperative by any person other than for purposes of maintenance, repair, replacement, of any device or element of design incorporated into any equipment for the purposes of emissions control prior to or after its sales or delivery to the ultimate purchaser or while it is in use, or
2. The use of the equipment after such device or element of design has been removed or rendered inoperative by any person.

---

# Table of Contents

## General Information

Service Literature . . . . .	1-1
Options Available From Your Dealer. . . . .	1-1
Using This Manual . . . . .	1-1
Standard Torques . . . . .	1-2

## Section 2

Frame—S/N 16040000 & Higher . . . . .	2-2
Frame—S/N Prior to 16040000. . . . .	2-4
Fenders & Instrument Panel—Kawasaki . . . . .	2-6
Fenders & Instrument Panel—Kohler . . . . .	2-8
Fenders & Instrument Panel, Kohler—Fan Seat. . . . .	2-10
Engine Guard . . . . .	2-12
Lights. . . . .	2-14
Battery. . . . .	2-16

## Section 3

Hydraulic System . . . . .	3-2
Transmission Assembly . . . . .	3-4
Transmission Service Parts . . . . .	3-8
Steering & Brake—S/N 16025348 & Higher . . . . .	3-10
Steering & Brake—S/N Prior to 16025348 . . . . .	3-12
Steering Assembly . . . . .	3-14

## Section 4

Wheel & Tire . . . . .	4-2
Front Tire Breakdown—48". . . . .	4-4
Front Tire Breakdown—54"/60". . . . .	4-6
Drive Wheel Breakdown . . . . .	4-8

## Section 5

Engine, Kawasaki—S/N 15021278 & Higher . . . . .	5-2
Engine, Kawasaki—S/N 14092401–15021277. . . . .	5-6
Engine, Kawasaki—S/N Prior to 14092401 . . . . .	5-10
Engine Service Parts, Kawasaki. . . . .	5-14
Engine, Kohler. . . . .	5-16
Engine Service Parts, Kohler—Canister Type Air Filter . . . . .	5-20
Engine Service Parts, Kohler—Ring Type Air Filter . . . . .	5-21
Fuel System . . . . .	5-22

## Section 6

48" Service Deck. . . . .	6-2
48" Deck Pulleys & Spindles—S/N 15010708 & Higher . . . . .	6-4
48" Deck Pulleys & Spindles—S/N 14074266–15010707 . . . . .	6-6
48" Deck Pulleys & Spindles—S/N Prior to 14074266 . . . . .	6-8
48" Deck . . . . .	6-10
54" Service Deck. . . . .	6-12
54" Deck Pulleys & Spindles—S/N 15010708 & Higher . . . . .	6-14

---

54" Deck Pulleys & Spindles—S/N 14074307–15010707 . . . . .	6-16
54" Deck Pulleys & Spindles—S/N Prior to 14074307 . . . . .	6-18
54" Deck . . . . .	6-20
60" Service Deck . . . . .	6-22
60" Deck Pulleys & Spindles—S/N 15010708 & Higher . . . . .	6-24
60" Deck Pulleys & Spindles—S/N 14074367–15010707 . . . . .	6-26
60" Deck Pulleys & Spindles—S/N Prior to 14074367 . . . . .	6-28
60" Deck . . . . .	6-30
Deck Mounting Hardware . . . . .	6-32

**Section 7**

Seat, Seat King. . . . .	7-2
Seat Service Parts—Seat King. . . . .	7-4
Seat, Seats Inc.—with Fan . . . . .	7-6
Seat Service Parts—Seats Inc. . . . .	7-8



---

## General Information

This manual covers BigDog® Alpha™ MP Mower models **932921, 932939, 932947, 934646, 934653, 934661, 936005, 936013, 936021, 936567 & 936641.**

---

### **Service Literature**

<b>PART NO.</b>	<b>DESCRIPTION</b>
605046	OPERATOR'S MANUAL
119553	WARRANTY STATEMENT
119295	GENERAL SERVICE MANUAL

---

### **Options Available From Your Dealer**

<b>PART NO.</b>	<b>DESCRIPTION</b>
933028	2-BAG CATCHER
119101	48" MULCH KIT
119060	54" MULCH KIT
119091	60" MULCH KIT
333724	STEERING EXTENSION KIT
119783	ARMREST KIT
605123	FLEX FORK KIT (54"/60" MOWERS)
600213	FLEX FORK KIT (48" MOWERS)

---

*Note: When ordering parts, you must use the part number as shown for each part, not the index number. Always give the model and serial number to your parts and service representative.*

*Note: Items sold in bulk such as seals and hoses are sold by the foot.*

---

### **Using This Manual**

*This manual is part of a service package for the BigDog® mowers. Use of this manual in conjunction with other BigDog® mower and component manuals will provide the information necessary to service and maintain BigDog® mowers.*

*This Parts Manual provides a complete parts listing for the unit. Use this manual when ordering parts. Illustrations used were current at the time of printing, but subsequent production changes may cause your machine to vary slightly in detail. Excel Industries, Inc. reserves the right to redesign and change the machine as deemed necessary, without notification. If a change has been made to your machine which is not reflected in this parts manual, see your authorized dealer for current information and parts.*

*The Service Manual is a service guide for use by Service Technicians. It provides the necessary information needed to perform normal maintenance requirements on these units.*

*The Operator's Manual provides fundamental operational information and operational safety that is needed when operating the mower.*

*The component manuals are furnished by the various manufacturers to be used for the troubleshooting and servicing of their products.*

---

## **Hardware Description Codes & Abbreviations**

The following codes are used throughout this parts manual. Refer to this list when ordering parts.

<b>ABBREVIATION</b>	<b>DESCRIPTION</b>	<b>ABBREVIATION</b>	<b>DESCRIPTION</b>
CB	CARRIAGE BOLT	MB	MACHINE BUSHING
CE	CLEVIS PIN	MS	MACHINE SCREW
CN	CLIP NUT	NT	NUT
CP	COTTER PIN	SC	SELF TAPPING CAP SCREW
CS	CAP SCREW	SH	SOCKET HEAD
CW	CUP WASHER	SB	SHOULDER BOLT
FDRW	FENDER WASHER	SS	SET SCREW
FW	FLAT WASHER	OD	OUTSIDE DIAMETER
HX	HEX HEAD	ID	INSIDE DIAMETER
LW	LOCK WASHER	WN	WELD NUT

---

## **Standard Torques**

The following chart lists the standard torque values for the threaded fasteners found in this manual. Torque all cap screws, nuts and set screws to these values unless a different torque is shown in the Notes section next to the fastener.

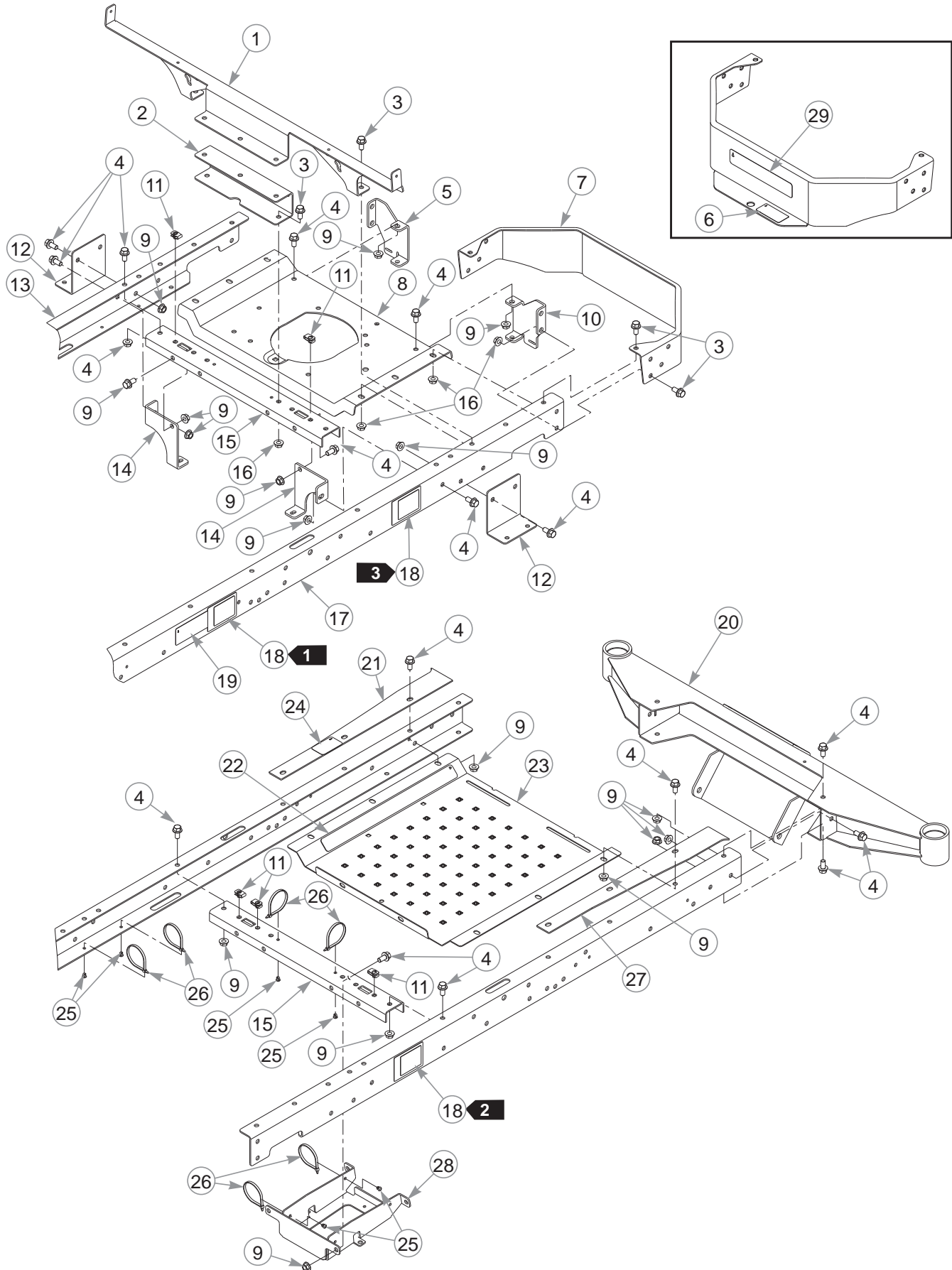
<b>SIZE</b>	<b>FT-LBS</b>	<b>N•M</b>	<b>SIZE</b>	<b>FT-LBS</b>	<b>N•M</b>
.250	8.2	11.1	M3	1	1.3
.312	17	23	M4	2.2	3
.375	30	40	M5	4.5	6.1
.438	48	65	M6	7.7	10.4
.500	73	99	M8	18.5	25
.562	105	143	M10	37	50
.625	145	200	M12	64	87
.750	260	350	M14	80	108.5
.875	420	565	M16	160	215
1.00	625	850	M20	320	435
			M24	555	750

---

## Section 2

Frame—S/N 16040000 & Higher . . . . .	2-2
Frame—S/N Prior to 16040000 . . . . .	2-4
Fenders & Instrument Panel—Kawasaki . . . . .	2-6
Fenders & Instrument Panel—Kohler . . . . .	2-8
Fenders & Instrument Panel, Kohler—Fan Seat . . . . .	2-10
Engine Guard . . . . .	2-12
Lights . . . . .	2-14
Battery . . . . .	2-16

# Frame—S/N 16040000 & Higher



---

## **Frame—S/N 16040000 & Higher**

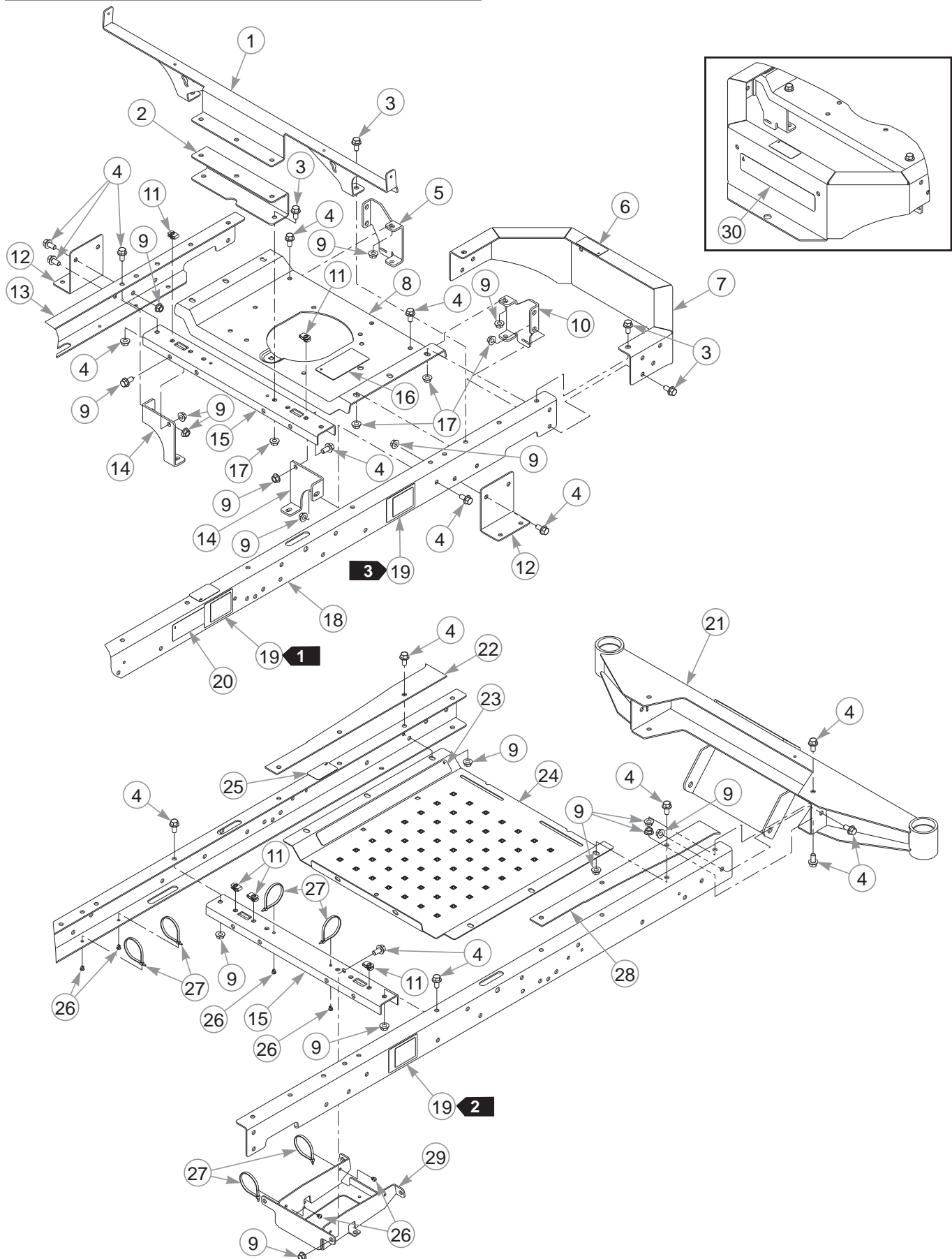
INDEX NO.	PART NO.	QTY.	DESCRIPTION
1	118539	1	SEAT SUPPORT
2	118538	1	SPRING SUPPORT
3	029629	10	CS .375-16 X .75 HX FLK
4	604176	30	CS .375-16 X .75 HX FLK PLN
5	190207	1	RS REAR BRACKET
6	602041	1	HOT DECAL
7	553643	1	BUMPER (WITH DECAL)
8	552421	1	ENGINE PLATE (WITH DECAL)
9	604177	30	NT .375-16 HX FLK PLN
10	190208	1	LS REAR BRACKET
11	601982	5	CN .250-20 X .15 MAX THK
12	190209	2	HYDRO BRACKET
13	552424	1	RS FRAME CHANNEL (WITH DECAL)
14	190210	2	RS FRONT BRACKET
15	190189	2	CROSS SUPPORT
16	016899	10	NT .375-16 HX G5 FLK
17	552423	1	LS FRAME CHANNEL (WITH DECALS)
18	N/A	3	SERIAL NUMBER / SPEC DECAL
19	601967	1	ENGINE COMPARTMENT DECAL
20	190211	1	FRONT CROSS FRAME
21	553447	1	LS FAIRING
22	601981	1	SAFE OPERATION DECAL
23	552422	1	FOOT PAN (WITH DECAL)
24	605782	1	LEVEL FUEL FILL DECAL
25	604307	6	PUSH BUTTON MOUNT
26	000331	6	WIRE TIE
27	190213	1	RS FAIRING
28	190187	1	BATTERY TRAY
29	605073	1	BIG DOG DECAL
30	605835	1	WIRE HARNESS, KOHLER (NOT SHOWN)
	604876	1	WIRE HARNESS, KAWASAKI (NOT SHOWN)

---

### **NOTES:**

1. Serial number decal. In the event the serial number decal becomes damaged or illegible, please contact your dealer to order a replacement.
2. EPA compliance decal.
3. Patent numbers decal.
4. Torque all hardware to a minimum of 33 ft-lbs.

# Frame—S/N Prior to 16040000



---

## **Frame—S/N Prior to 16040000**

INDEX NO.	PART NO.	QTY.	DESCRIPTION
1	118539	1	SEAT SUPPORT
2	118538	1	SPRING SUPPORT
3	029629	10	CS .375-16 X .75 HX FLK
4	604176	30	CS .375-16 X .75 HX FLK PLN
5	190207	1	RS REAR BRACKET
6	602041	1	HOT DECAL
7	552437	1	BUMPER (WITH DECAL)
8	551858	1	ENGINE PLATE (WITH DECAL)
9	604177	30	NT .375-16 HX FLK PLN
10	190208	1	LS REAR BRACKET
11	601982	5	CN .250-20 X .15 MAX THK
12	190209	2	HYDRO BRACKET
13	552424	1	RS FRAME CHANNEL (WITH DECAL)
14	190210	2	RS FRONT BRACKET
15	190189	2	CROSS SUPPORT
16	600899	1	PUMP BELT WARNING DECAL
17	016899	10	NT .375-16 HX G5 FLK
18	552423	1	LS FRAME CHANNEL (WITH DECALS)
19	N/A	3	SERIAL NUMBER / SPEC DECAL
20	601967	1	ENGINE COMPARTMENT DECAL
21	190211	1	FRONT CROSS FRAME
22	553447	1	LS FAIRING
23	601981	1	SAFE OPERATION DECAL
24	552422	1	FOOT PAN (WITH DECAL)
25	605782	1	LEVEL FUEL FILL DECAL
26	604307	6	PUSH BUTTON MOUNT
27	000331	6	WIRE TIE
28	190213	1	RS FAIRING
29	190187	1	BATTERY TRAY
30	605073	1	BIG DOG DECAL
31	605835	1	WIRE HARNESS, KOHLER (NOT SHOWN)
	604876	1	WIRE HARNESS, KAWASAKI (NOT SHOWN)

---

### **NOTES:**

1. Serial number decal. In the event the serial number decal becomes damaged or illegible, please contact your dealer to order a replacement.
2. EPA compliance decal.
3. Patent numbers decal.
4. Torque all hardware to a minimum of 33 ft-lbs.





---

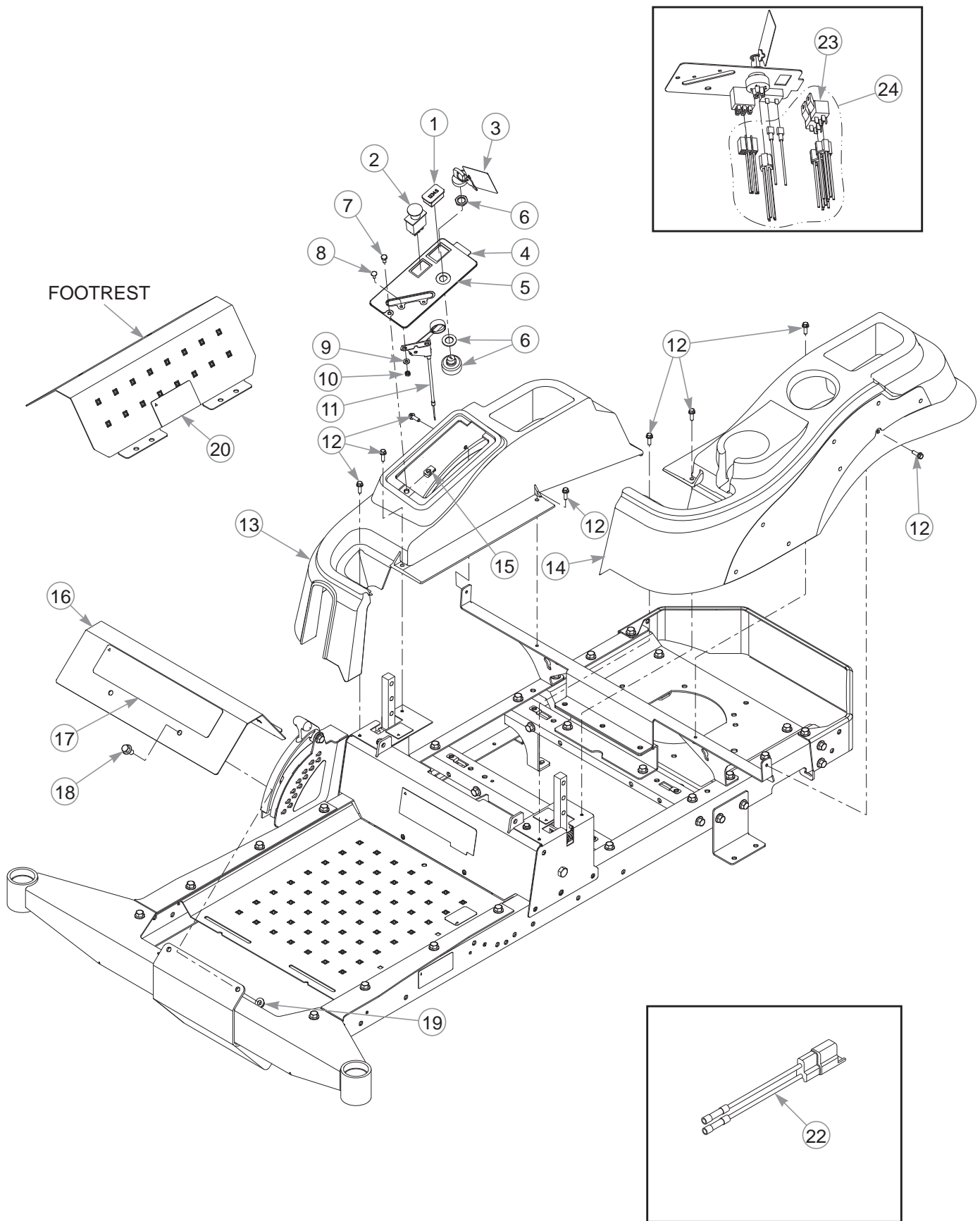
## ***Fenders & Instrument Panel—Kawasaki***

INDEX NO.	PART NO.	QTY.	DESCRIPTION
1	601097	1	CHOKE CABLE
2	776476	1	PTO SWITCH
3	769166	1	HOUR METER
4	605808	1	KEY ASSEMBLY
5	045898	1	IGNITION SWITCH
6	552300	1	INSTRUMENT PANEL (WITH DECAL)
7	604889	1	INSTRUMENT PANEL DECAL
8	055947	1	CS .250-20 X .500 HX G5
9	601098	2	CB 10-24 X .500 ZYNC
10	601096	1	THROTTLE CABLE
11	704932	2	FW .219 X .500 X .048 ZNYC
12	059832	2	NT #10-24 HX NL ZN
13	604324	8	CS .250-20 X .75 HX FLG
14	601982	1	CN .250-20 X .15 MAX THK
15	605083	1	RS FENDER
16	605082	1	LS FENDER
17	605072	1	BIGDOG DECAL
18	190169	1	FOOTREST
19	029629	2	CS .375-16 X .75 HX FLK
20	016899	2	NT .375-16 HX FLK G5
21	000331	2	WIRE TIE (NOT SHOWN)
22	604876	1	WIRE HARNESS
23	114052	1	CLUTCH CONNECTOR REPAIR KIT
24	601053	2	SEALED RELAY (WITH BRACKET)

---

### **NOTES:**

# Fenders & Instrument Panel—Kohler



---

## **Fenders & Instrument Panel—Kohler**

INDEX NO.	PART NO.	QTY.	DESCRIPTION
1	769166	1	HOUR METER
2	776476	1	PTO SWITCH
3	605808	1	KEY ASSEMBLY
4	551898	1	INSTRUMENT PANEL (WITH DECAL)
5	605996	1	INSTRUMENT PANEL DECAL
6	045898	1	IGNITION SWITCH
7	601098	2	CB 10-24 X .500 ZYNC
8	055947	1	CS .250-20 X .50 HX G5
9	704932	2	FW .219 X .500 X .048
10	059832	2	NT #10-24 HX NL ZN
11	768879	1	THROTTLE CABLE
12	604324	8	CS .250-20 X .75 HX FLG
13	605083	1	RS FENDER
14	605082	1	LS FENDER
15	601982	1	CN .250-20 X .15 MAX THK
16	553646	1	FOOTREST (WITH DECAL)
17	605072	1	BIGDOG DECAL
18	029629	2	CS .375-16 X .75 HX G5 FLK
19	016899	2	NT .375-16 HX G5 FLK
20	600899	1	PUMP BELT WARNING DECAL
21	000331	1	WIRE TIE (NOT SHOWN)
22	114052	1	CLUTCH CONNECTOR REPAIR KIT
23	601053	2	SEALED RELAY (WITH BRACKET)
24	605835	1	WIRE HARNESS

---

### **NOTES:**



---

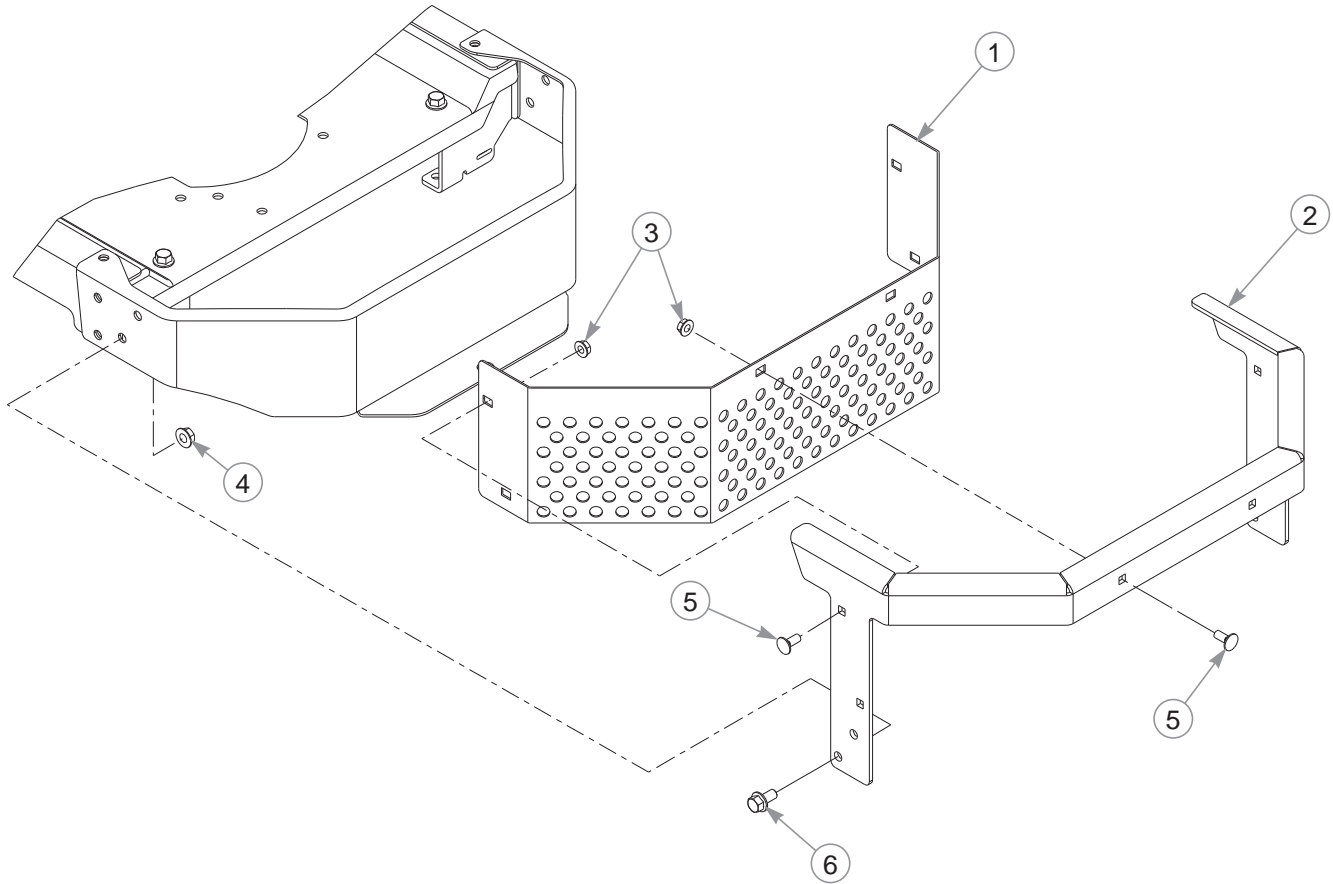
## ***Fenders & Instrument Panel, Kohler—Fan Seat***

INDEX NO.	PART NO.	QTY.	DESCRIPTION
1	776476	1	PTO SWITCH
2	769166	1	HOUR METER
3	601116	1	SWITCH
4	553214	1	INSTRUMENT PANEL (WITH DECAL)
5	606579	1	INSTRUMENT PANEL DECAL
6	601098	2	CB 10-24 X .500 ZYNC
7	055947	1	CS .250-20 X .50 HX G5
8	605808	1	KEY ASSEMBLY
9	045898	1	IGNITION SWITCH
10	768879	1	THROTTLE CABLE
11	704932	2	FW .219 X .50 X .048
12	059832	2	NT #10-24 HX NL ZN
13	604324	8	CS .250-20 X .75 HX FLG
14	601982	1	CN .250-20 X .15 MAX THK
15	605082	1	LS FENDER
16	605083	1	RS FENDER
17	553646	1	FOOTREST (WITH DECALS)
18	605072	1	BIG DOG DECAL
19	029629	2	CS .375-16 X .75 HX FLK
20	016899	2	NT .375-16 HX G5 FLK
21	600899	1	PUMP BELT WARNING DECAL
22	000331	1	WIRE TIE
23	605835	1	WIRE HARNESS
24	114052	1	CLUTCH CONNECTOR REPAIR KIT
25	601053	2	SEALED RELAY (WITH BRACKET)

---

### **NOTES:**

# Engine Guard



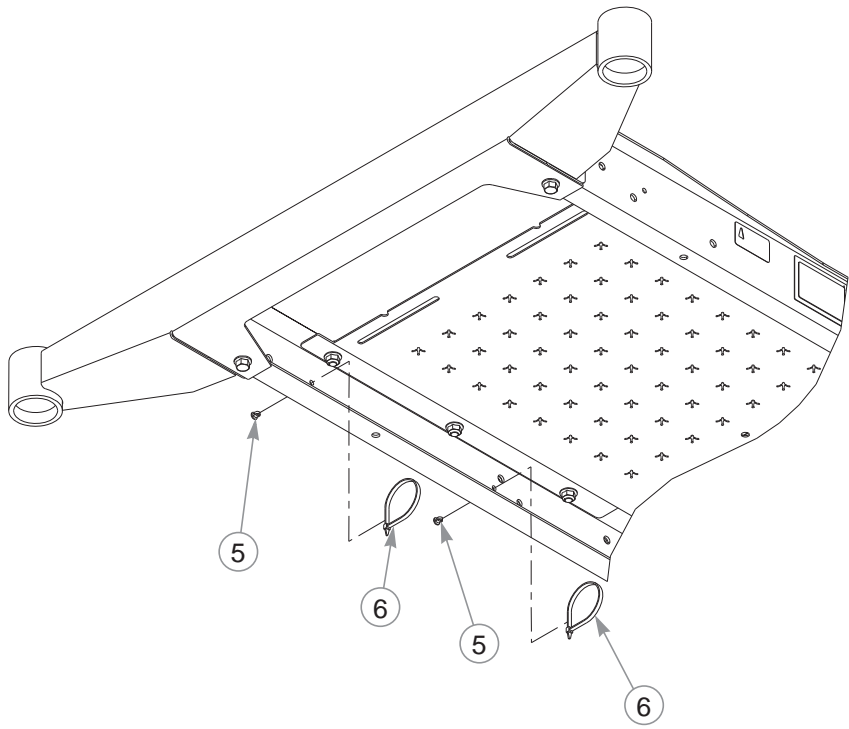
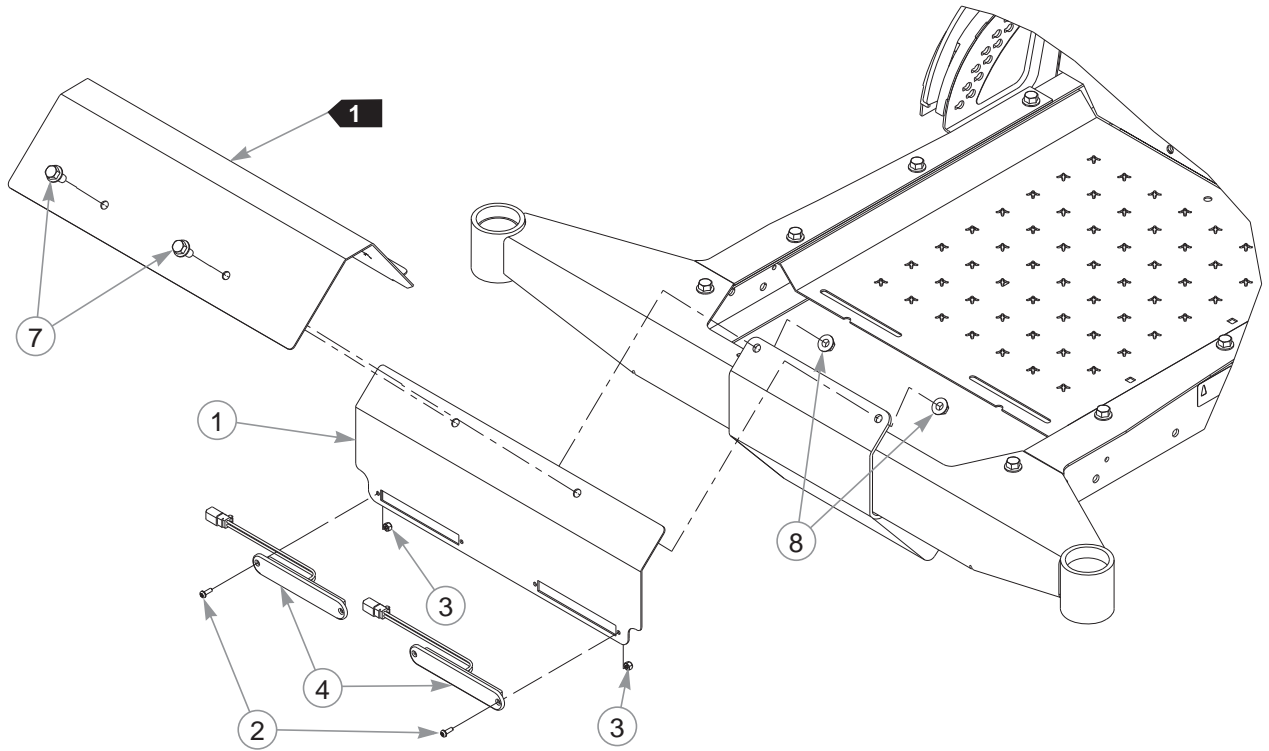
INDEX NO.	PART NO.	QTY	DESCRIPTION
1	119236	1	ENGINE GUARD SCREEN
2	190327	1	ENGINE GUARD (S/N 16050000 & HIGHER)
	119603	1	ENGINE GUARD KIT (S/N PRIOR TO 16050000)
3	016832	6	NT .312-18 HX FLK
4	016899	4	NT .375-16 HX G5 FLK
5	016253	6	CB .312-18 X .75 FUL ZN
6	029629	4	CS .375-16 X .75 HX FLK

## NOTES:

---

**This page intentionally left blank.**

# Lights





---

## **Lights**

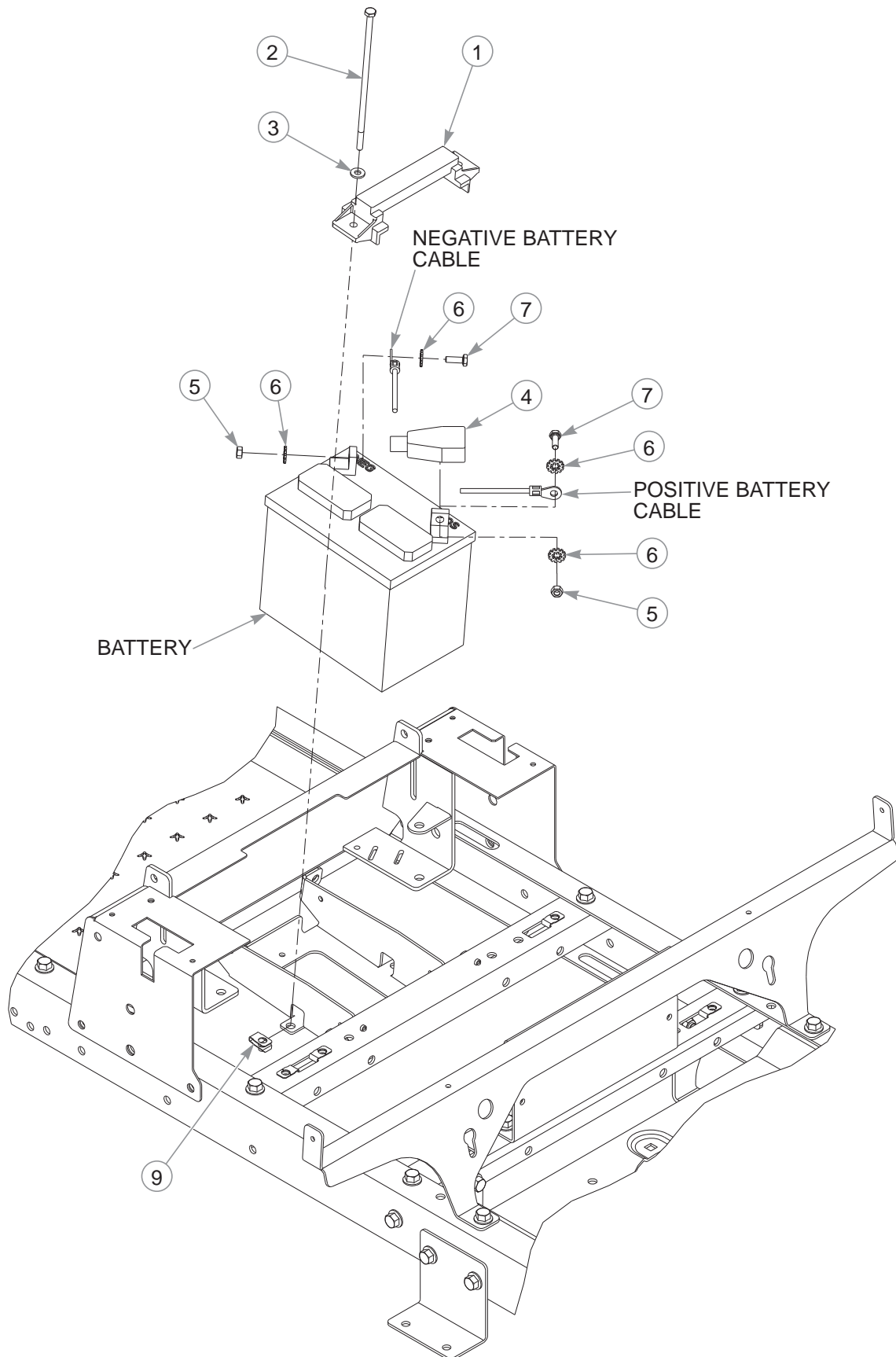
INDEX NO.	PART NO.	QTY.	DESCRIPTION
1	190174	1	LIGHT ANGLE
2	605209	4	CS #8-32 X .500 PH TRX
3	605208	4	NT #8-32 HX NL ZN
4	605003	2	LIGHT
5	604307	3	PUSH BUTTON MOUNT
6	000331	5	WIRE TIE
7	029629	2	CS .375-16 X .75 HX FLK
8	016899	2	NT .375-16 FLK G5
9	605010	1	LIGHT WIRE HARNESS (NOT SHOWN)

---

### **NOTES:**

1. Part of the Fenders & Instrument Panel Assembly.

# Battery



---

## **Battery**

INDEX NO.	PART NO.	QTY.	DESCRIPTION
1	604178	1	TIE DOWN STRAP
2	604465	2	CS .250-20 X 7.50 HX G5
3	768515	2	FW .281 X .625 X .066
4	771428	1	RED BATTERY CABLE BOOT
5	024927	2	NT .250-20 HX G5
6	029868	4	LW .250 INT-EXT TOOTH Z
7	055939	2	CS .250-20 X .75 HX G5
8	000331	2	WIRE TIE (NOT SHOWN)
9	601982	2	CN .250-20 X .15 MAX THK

---

### **NOTES:**

1. When performing service on the mower, disconnect the negative battery cable and do not reconnect it to the battery until ready to start the engine.

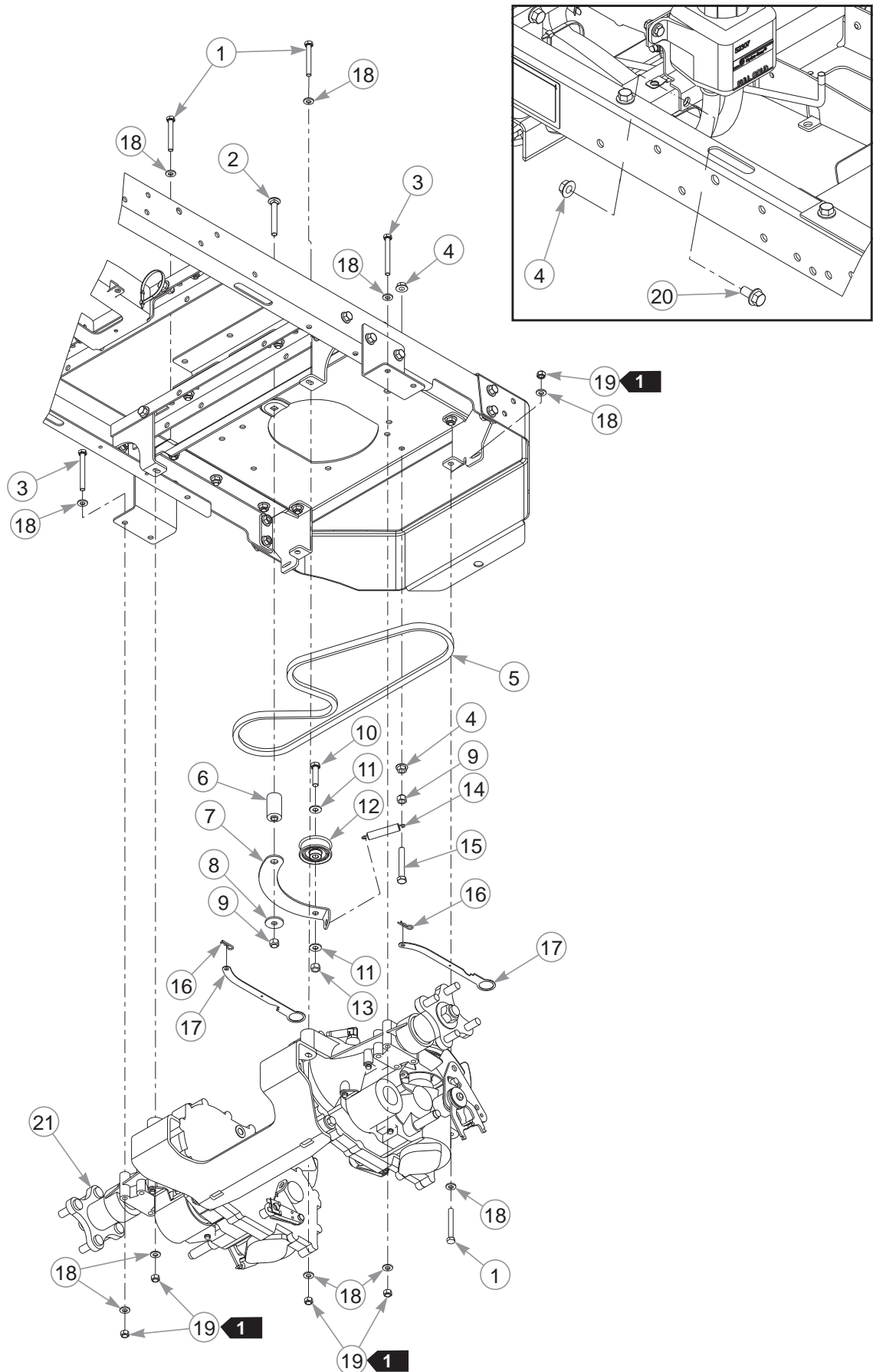


---

## Section 3

Hydraulic System . . . . .	3-2
Transmission Assembly . . . . .	3-4
Transmission Service Parts . . . . .	3-8
Steering & Brake—S/N 16025348 & Higher . . . . .	3-10
Steering & Brake—S/N Prior to 16025348 . . . . .	3-12
Steering Assembly . . . . .	3-14

# Hydraulic System



---

## **Hydraulic System**

INDEX NO.	PART NO.	QTY.	DESCRIPTION
1	710087	4	CS .312-18 X 2.50 HX G5
2	601887	1	CB .375-16 X 2.75 STD ZN
3	043067	4	CS .312-18 X 3.00 HX G5 Z
4	016899	3	NT .375-16 HX FLK G5
5	603907	1	DRIVE BELT
6	604714	1	IDLER SPACER
7	116287	1	IDLER ARM
8	712893	1	FW .406 X 1.25 X .12 HRD Z
9	086660	2	NT .375-16 HX NL G5
10	080655	1	CS .375-16 X 1.50 HX G5
11	767954	2	FW .379 X .813 X .063
12	604491	1	PULLEY 2.0" IDLER
13	054502	1	NT .375-16 HX G5 ZNY
14	604490	1	SPRING
15	604487	1	CS .375-16 X 2.5 FULTH
16	706549	2	HP .080D X 1.19
17	118310	2	TOW VALVE LINK
18	768523	16	FW .343 X .687 X .051/.080H
19	058776	8	NT .312-18 NL G5
20	029629	1	CS .375-16 X .75 HX FLK
21	N/A	1	TRANSMISSION ASSEMBLY

---

### **NOTES:**

1. Torque to 17 ft-lbs.







# Transmission Assembly

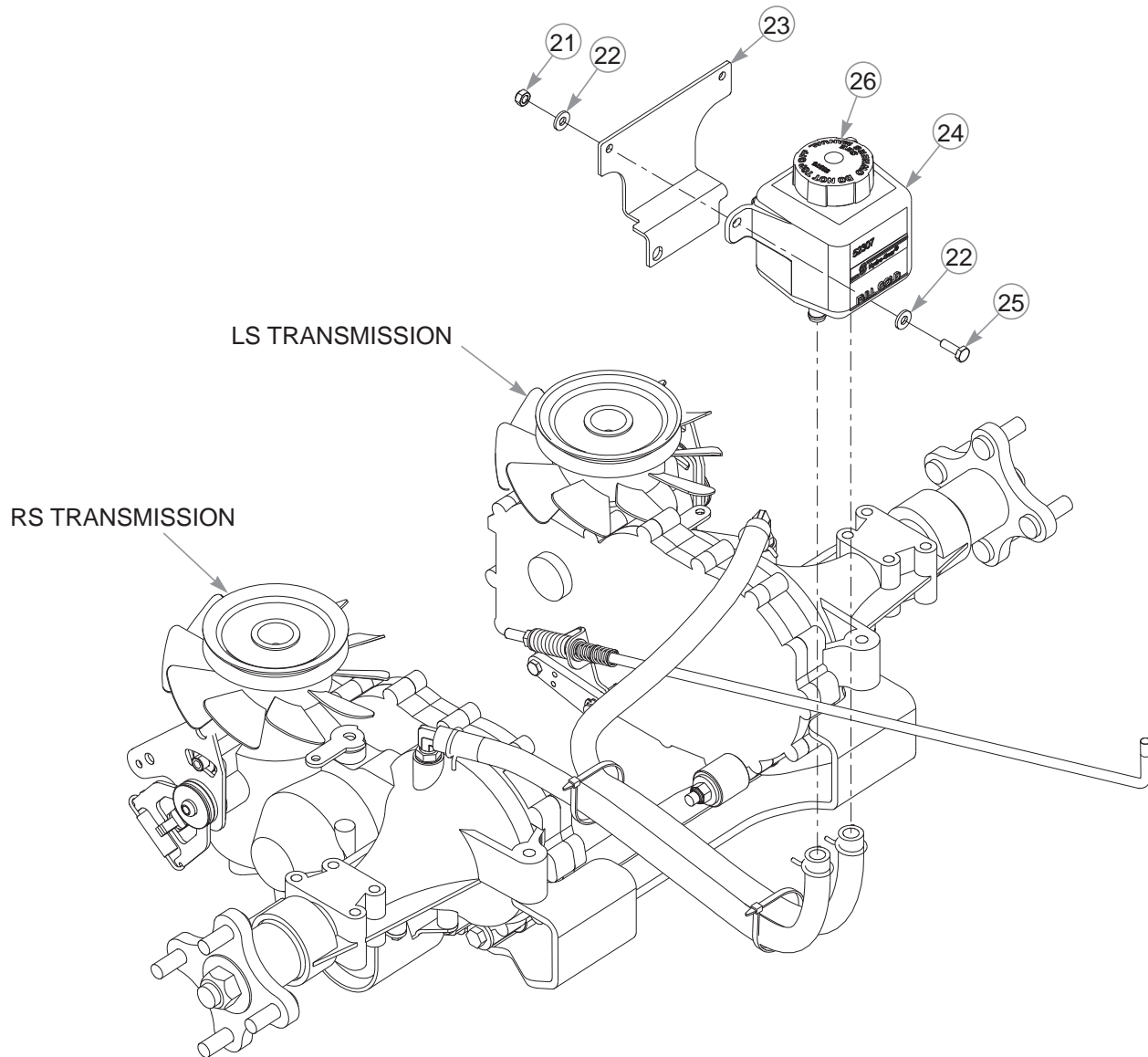
INDEX NO.	PART NO.	QTY.	DESCRIPTION
1	058776	2	NT .312-18 HX G5 ZY NL
2	768523	6	FW .343 X .687 X .051/.080H
3	601051	2	OVERTRAVEL SPRING
4	601131	2	SPRING
5	604667	2	ROD BRAKE ACTUATOR
6	601219	2	FITTING, 90 - 9/16 SAE
7	604709	1	LS TRANSMISSION
8	005108	2	CS .375-16 X 3.50 HX G5 Z
9	712919	4	FW .406 X 1.00 X .12 HRD Z
10	601001	4	SPRING CLAMP
11	787713	19"	HOSE 19"
12	787713	28"	HOSE 28"
13	000331	2	WIRE TIE
14	086660	2	NT .375-16 HX G5 NL
15	123292	1	CROSS BRACE (KIT)
16	604708	1	RS TRANSMISSION
17	055939	2	CS .250-20 X .75 HX G5
18	109203	1	LS BRAKE SPRING LINK
19	016816	2	NT .250-20 HX FL LK ZNY
20	109202	1	RS BRAKE SPRING LINK (NOT SHOWN)

## NOTES:

HOSE LENGTHS		
<b>A</b> 	19"	RIGHT TRANSMISSION TO OVERFLOW TANK
<b>B</b> 	28"	LEFT TRANSMISSION TO OVERFLOW TANK

1. Torque to 30 ft-lbs.

# Transmission Assembly



---

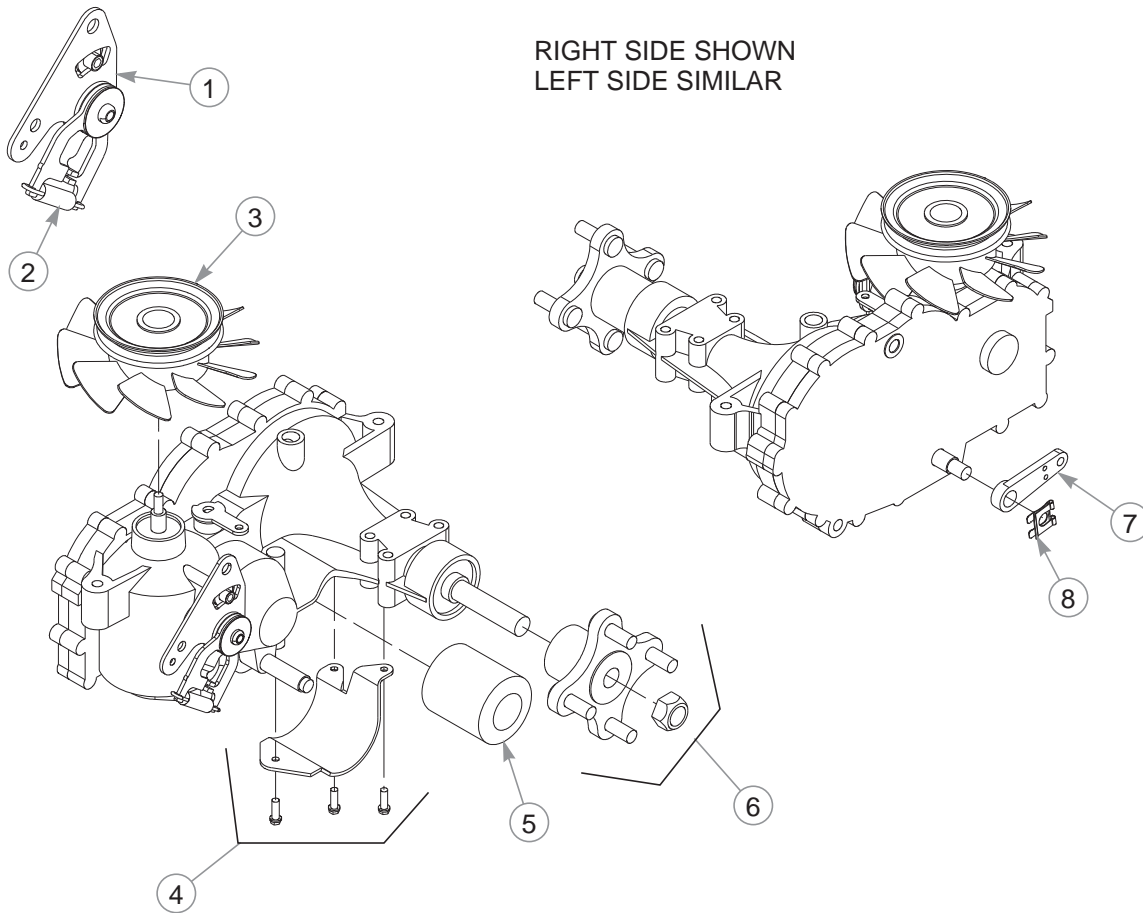
# **Transmission Assembly**

INDEX NO.	PART NO.	QTY	DESCRIPTION
21	068551	2	NT .250-20 HX ZY NL
22	768515	4	FW .281 X .625 X .066
23	118284	1	EXPANSION TANK MOUNT
24	601996	1	OVERFLOW TANK
25	055939	2	CS .250-20 X .75 HX G5
26	600767	1	OVERFLOW TANK CAP

---

**NOTES:**

# Transmission Service Parts



## 604708 RIGHT SIDE TRANSMISSION

INDEX NO.	PART NO.	QTY.	DESCRIPTION
1	604901	1	HG RTN CW
2	604903	1	HG RTN SPRING
3	602094	1	FAN/PULLEY KIT
4	600975	1	LS FILTER GUARD (WITH HARDWARE)
5	600976	1	OIL FILTER
6	600970	1	4 BOLT HUB KIT (WITH HUB NUT)
7	601221	1	BRAKE ARM
8	600972	1	RETAINING CLIP

## 604709 LEFT SIDE TRANSMISSION

INDEX NO.	PART NO.	QTY.	DESCRIPTION
1	604902	1	HG RTN CCW
2	604903	1	HG RTN SPRING
3	602094	1	FAN/PULLEY KIT
4	600974	1	RS FILTER GUARD (WITH HARDWARE)
5	600976	1	OIL FILTER
6	600970	1	4 BOLT HUB KIT (WITH HUB NUT)
7	601221	1	BRAKE ARM
8	600972	1	RETAINING CLIP

---

**This page intentionally left blank.**



---

## **Steering & Brake—S/N 16025348 & Higher**

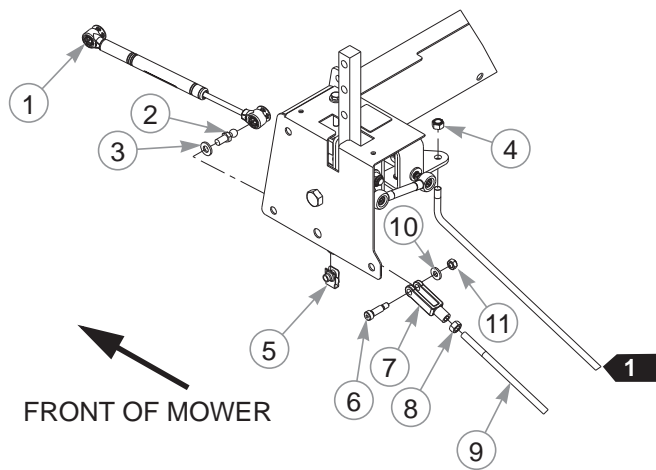
INDEX NO.	PART NO.	QTY.	DESCRIPTION
1	603983	2	DAMPER
2	781922	4	BALL STUD
3	768523	6	FW .343 X .687 X .051/.080H
4	058776	2	NT .312-18 HX G5 ZY NL
5	601069	2	CN .312-18 X .20 MAX THK
6	772483	2	SB .312 X .75 SH .250-20
7	606273	2	STEERING ROD ASSEMBLY
8	768515	2	FW .281 X .625 X .066
9	068551	2	NT .250-20 HX ZY NL
10	023655	2	NT .312-24 HX G5 NL
11	110370	2	STEERING HANDLE (WITH GRIP)
	781260	1	STEERING HANDLE GRIP
12	029629	7	CS .375-16 X .75 HX FLK
13	767954	4	FW .379 X .813 X .063
14	036244	4	CS .375-16 X 1.00 HX G5
15	016899	7	NT .375-16 HX G5 FLK
16	034272	2	NT .312-18 HX G5
17	603332	2	CLIP
18	N/A	1	STEERING ASSEMBLY
19	604173	2	YOKE, 5/16-24
20	041152	6	NT .312-24 HX ZNYC
21	604666	2	STEERING ROD
22	116144	2	STEERING BUSHING

---

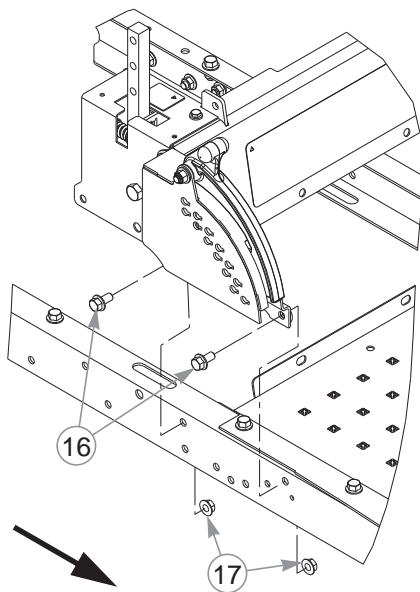
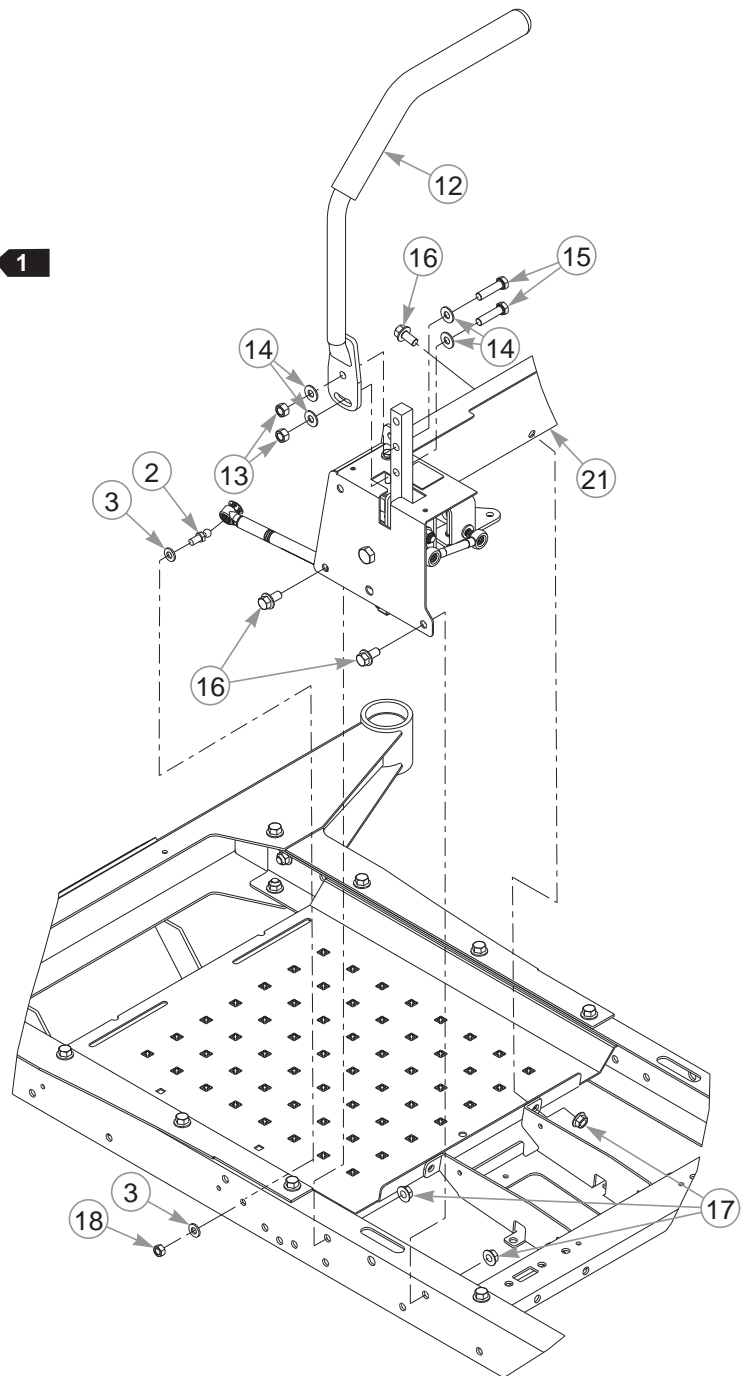
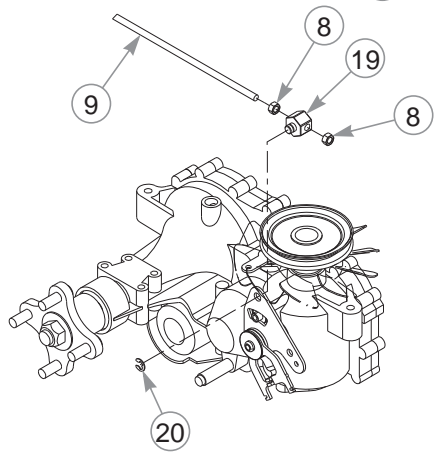
### **NOTES:**

1. Part of the Transmission Assembly.
2. Torque to 14 ft-lbs.

# Steering & Brake—S/N Prior to 16025348



LEFT SIDE SHOWN  
RIGHT SIDE SIMILAR





---

## **Steering & Brake—S/N Prior to 16025348**

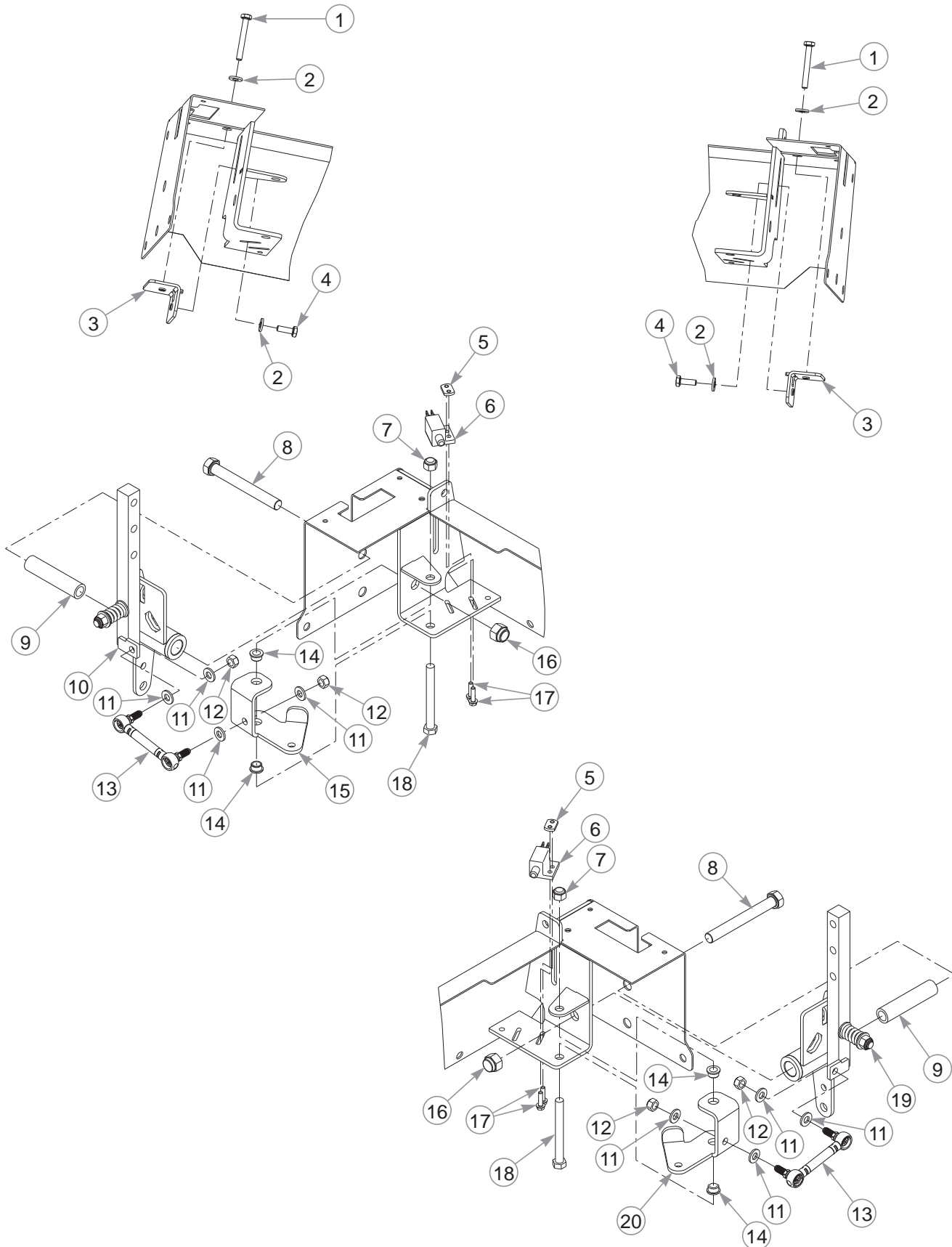
INDEX NO.	PART NO.	QTY.	DESCRIPTION
1	603983	2	DAMPER
2	781922	4	BALL STUD
3	768523	6	FW .343 X .687 X .051/.080H
4	058776	2	NT .312-18 HX G5 ZY NL
5	601069	2	CN .312-18 X .20 MAX THK
6	772483	2	SB .312 X .75 SH .250-20
7	604173	2	YOKE, 5/16-24
8	041152	6	NT .312-24 HX ZNYC
9	604666	2	STEERING ROD
10	768515	2	FW .281 X .625 X .066
11	068551	2	NT .250-20 HX ZY NL
12	110370	2	STEERING HANDLE (WITH GRIP)
	781260	1	STEERING HANDLE GRIP
13	054502	4	NT .375-16 HX G5 ZNY
14	767954	8	FW .379 X .813 X .063
15	080655	4	CS .375-16 X 1.50 HX G5
16	029629	7	CS .375-16 X .75 HX FLK
17	016899	7	NT .375-16 FLK G5
18	034272	2	NT .312-18 HX G5
19	116144	2	STEERING BUSHING
20	603332	2	CLIP
21	N/A	1	STEERING ASSEMBLY

---

### **NOTES:**

1. Part of the Transmission Assembly.

# Steering Assembly



---

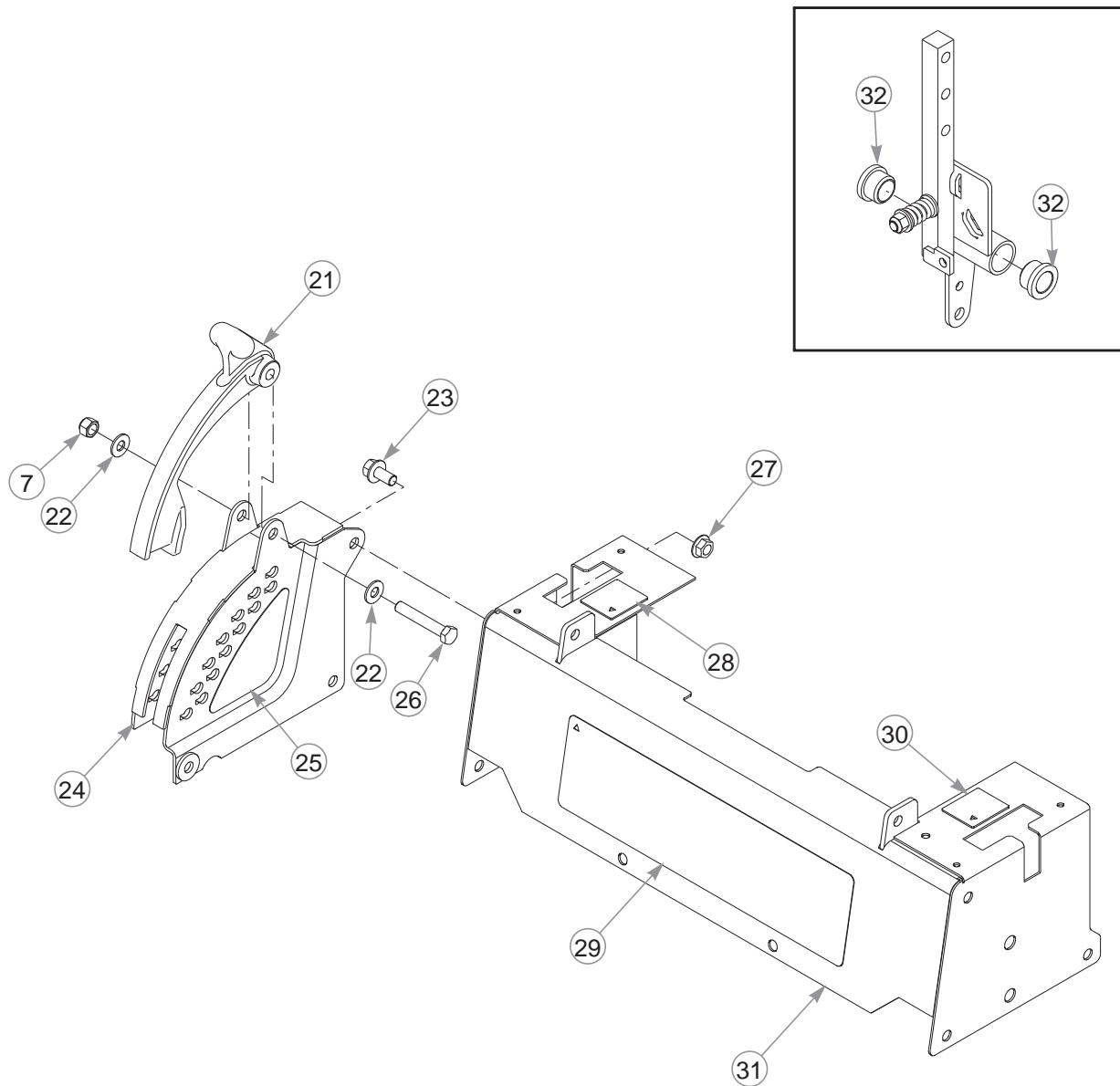
# **Steering Assembly**

INDEX NO.	PART NO.	QTY.	DESCRIPTION
1	604452	2	CS .250-20 X 2.00 HX FLTHD
2	768515	4	FW .281 X .625 X .066
3	605529	2	DRIVE STRAIGHT STOP
4	055939	2	CS .250-20 X .75 HX G5
5	601822	2	NUT PLATE .420 CENTERS
6	781211	2	PUSH BUTTON SWITCH
7	086660	3	NT .375-16 HX ZY NL
8	781708	2	CS .500-13 X 4.25 HX G5
9	604288	2	STEERING SPACER
10	606106	1	LS STEERING BOX (S/N 16025348 & HIGHER)
	604300	1	LS STEERING BOX (S/N PRIOR TO 16025348)
11	768523	8	FW .343 X .687 X .051/.080H
12	058776	4	NT .312-18 HX ZY NL
13	604179	2	BRAKE ROD
14	765339	4	BUSHING
15	116142	1	LS BRAKE BELLCRANK
16	781567	2	NT .500-13 NL G5
17	063198	4	CS 10-24 X .75 HX FLK ZN
18	005108	2	CS .375-16 X 3.50 HX G5 Z
19	606105	1	RS STEERING BOX (S/N 16025348 & HIGHER)
	604299	1	RS STEERING BOX (S/N PRIOR TO 16025348)
20	116141	1	RS BRAKE BELLCRANK

---

## **NOTES:**

# Steering Assembly



---

## **Steering Assembly**

INDEX NO.	PART NO.	QTY.	DESCRIPTION
21	605149	1	TRANSPORT LATCH
22	767954	2	FW .379 X .813 X .063
23	029629	1	CS .375-16 X .75 HX FLK
24	118011	1	INDICATOR
25	604819	1	DECK HEIGHT DECAL
26	056036	1	CS .375-16 X 2.25 HX G5
27	016899	1	NT .375-16 HX FLK G5
28	785220	1	RS STEERING DECAL
29	605075	1	ID DECAL
30	785139	1	LS STEERING DECAL
31	552458	1	STEERING COVER (WITH DECALS)
32	781153	4	BUSHING

---

### **NOTES:**

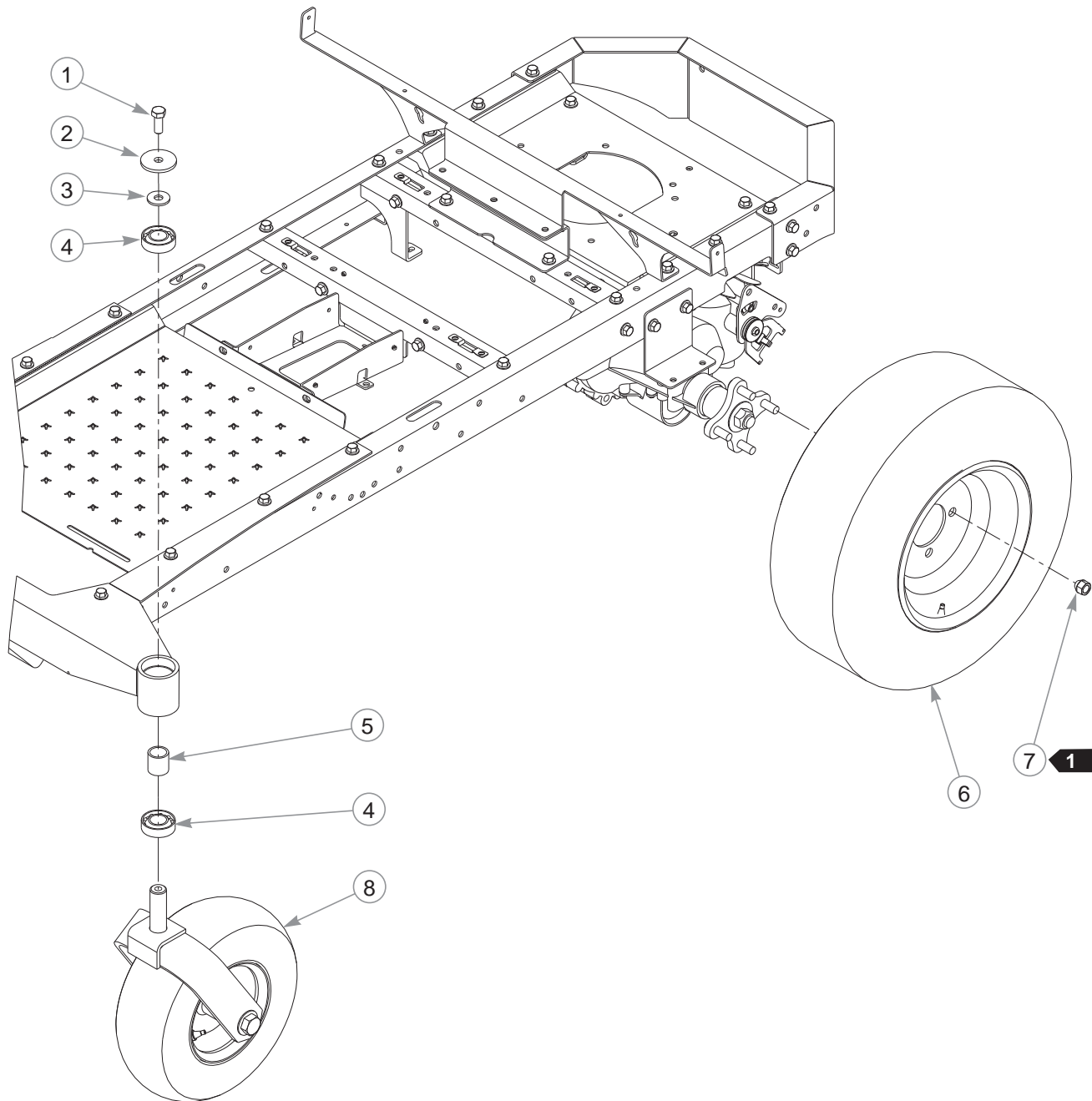
---

---

## Section 4

Wheel & Tire . . . . .	4-2
Front Tire Breakdown—48" . . . . .	4-4
Front Tire Breakdown—54"/60" . . . . .	4-6
Drive Wheel Breakdown . . . . .	4-8

# Wheel & Tire





---

## **Wheel & Tire**

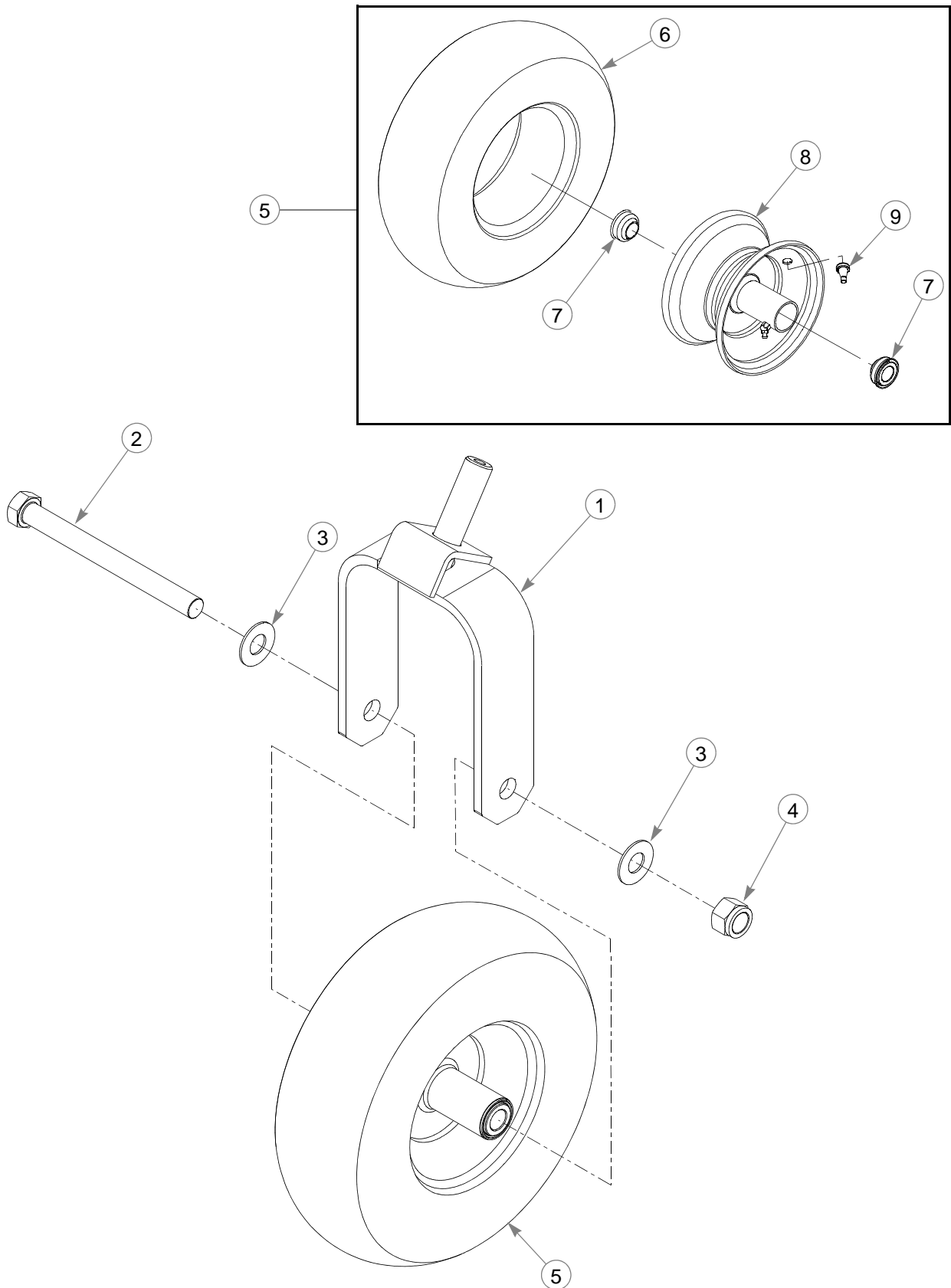
INDEX NO.	PART NO.	QTY.	DESCRIPTION
1	705954	2	CS .500-13 X 1.25 HS G5
2	344267	2	FW .510 X 2.15 X .187 SPL
3	712976	2	FW .531 X 1.375 X .125
4	784223	4	BEARING
5	784603	2	SPACER
6	605033	2	TIRE/WHEEL ASSEMBLY 20 X 8-10 (48" MOWER)
	605031	2	TIRE/WHEEL ASSEMBLY 20 X 12-10 (54"/60" MOWERS)
7	061077	8	WHEEL NUT
8	N/A	2	FRONT TIRE ASSEMBLY

---

### **NOTES:**

1. Torque to 65–75 ft-lbs.

# Front Tire Breakdown—48"



---

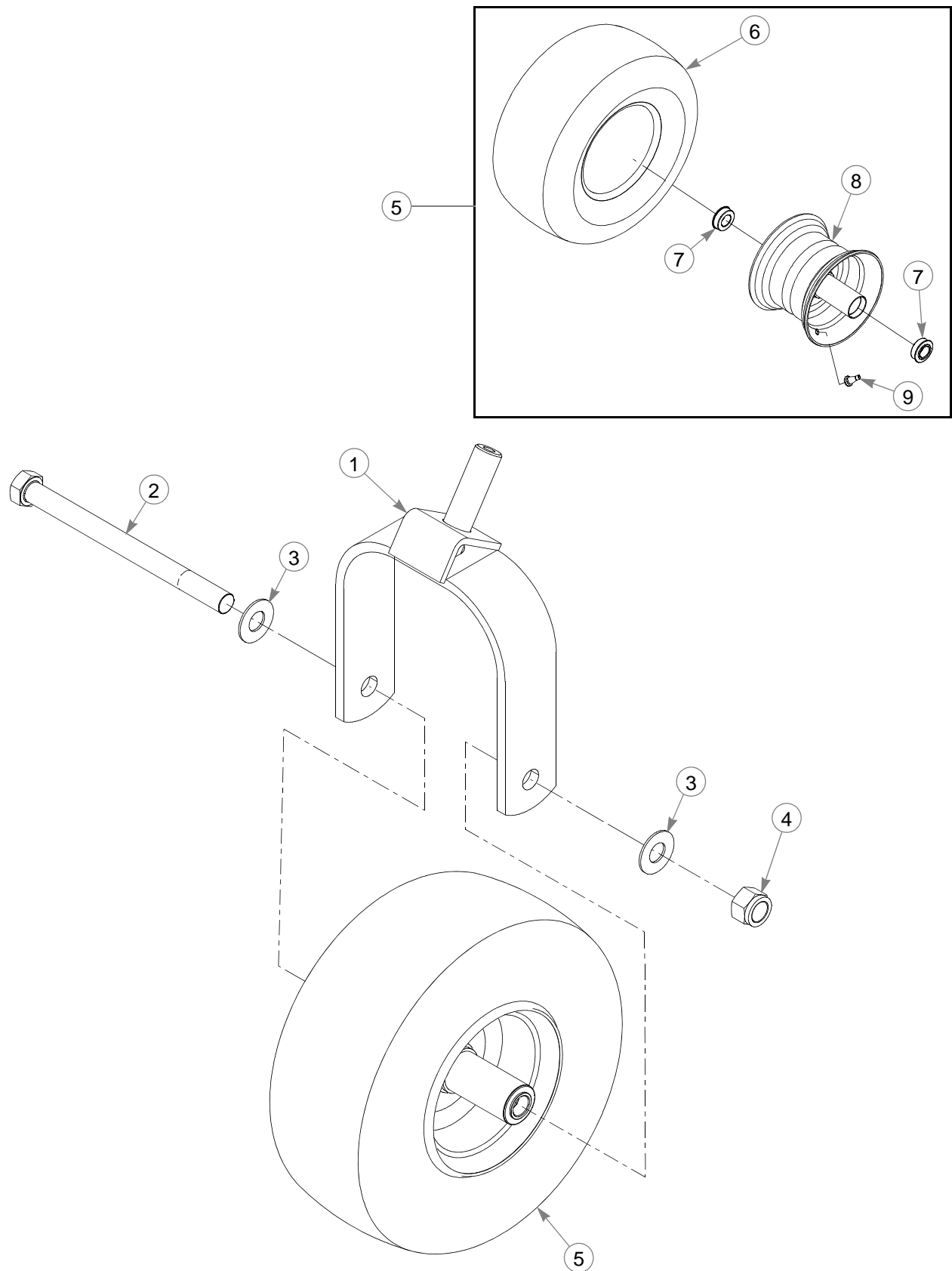
## **Front Tire Breakdown—48"**

INDEX NO.	PART NO.	QTY.	DESCRIPTION
1	190176	1	FORK
2	786731	1	CS .750-10 X 8.00 HX G5
3	025296	2	FW .760 X 1.625 X .08 ZNYC
4	061101	1	NT .750-10 HX ZY NL
5	605049	1	TIRE/WHEEL ASSEMBLY 13 X 5.00
6	605039	1	TIRE 13 X 5.00 SMOOTH
7	786103	2	WHEEL BEARING
8	605050	1	WHEEL, 6 X 3.25
9	019521	1	VALVE STEM

---

### **NOTES:**

# Front Tire Breakdown—54"/60"



---

## **Front Tire Breakdown—54"/60"**

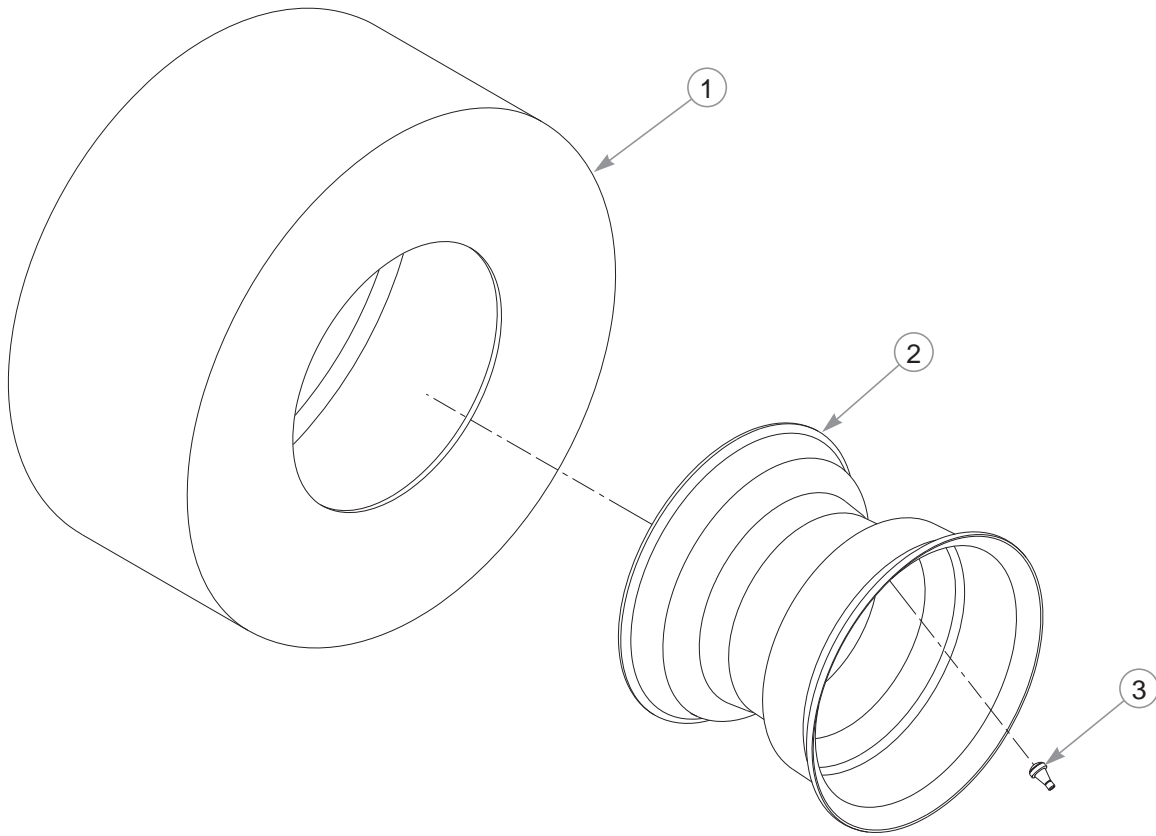
INDEX NO.	PART NO.	QTY	DESCRIPTION
1	190175	1	FORK
2	041475	1	CS .750-10 X 9.50 HX ZY
3	025296	2	FW .760 X 1.625 X .08 ZNYC
4	061101	1	NT .750-10 HX ZY NL
5	605035	1	TIRE/WHEEL ASSY 13 X 6.50
6	604843	1	TIRE, 13 X 6.50-6
7	604845	2	WHEEL BEARING
8	605036	1	WHEEL, 6 X 4.50
9	019521	1	VALVE STEM

---

### **NOTES:**

---

## Drive Wheel Breakdown



---

### 605033 TIRE/WHEEL ASSEMBLY (48" DECKS)

INDEX NO.	PART NO.	QTY.	DESCRIPTION
1	600692	1	TIRE 20 X 8-10
2	605034	1	WHEEL
3	019521	1	TIRE VALVE

### 605031 TIRE/WHEEL ASSEMBLY (54" & 60" DECKS)

INDEX NO.	PART NO.	QTY.	DESCRIPTION
1	601348	1	TIRE 20 X 12-10
2	603737	1	WHEEL 10 X 8.5
3	019521	1	TIRE VALVE

---

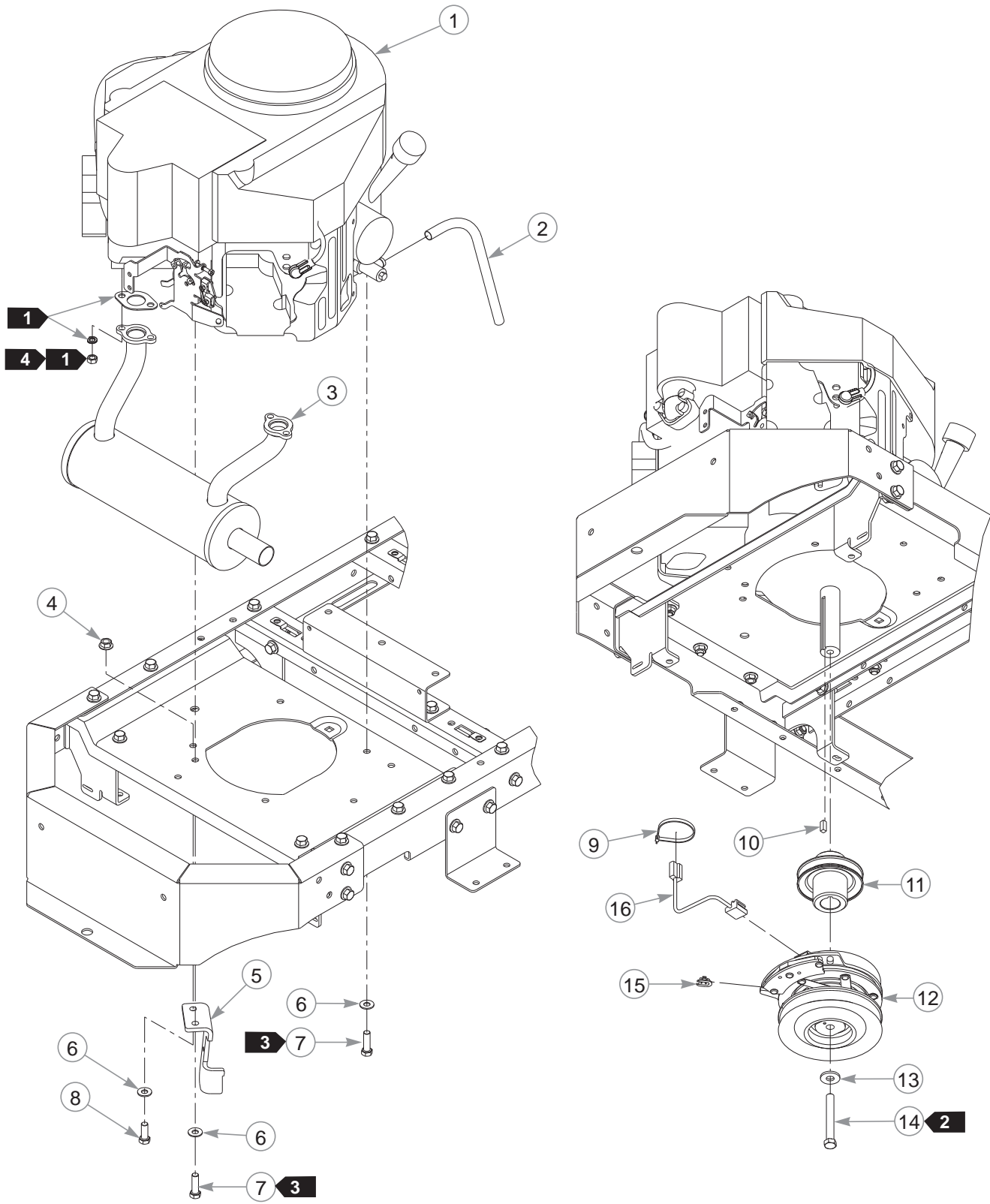
### NOTES:

---

## Section 5

Engine, Kawasaki—S/N 15021278 & Higher. . . . .	5-2
Engine, Kawasaki—S/N 14092401–15021277 . . . . .	5-6
Engine, Kawasaki—S/N Prior to 14092401 . . . . .	5-10
Engine Service Parts, Kawasaki . . . . .	5-14
Engine, Kohler . . . . .	5-16
Engine Service Parts, Kohler—Canister Type Air Filter . . . . .	5-20
Engine Service Parts, Kohler—Ring Type Air Filter . . . . .	5-21
Fuel System. . . . .	5-22

# Engine, Kawasaki—S/N 15021278 & Higher





---

## **Engine, Kawasaki—S/N 15021278 & Higher**

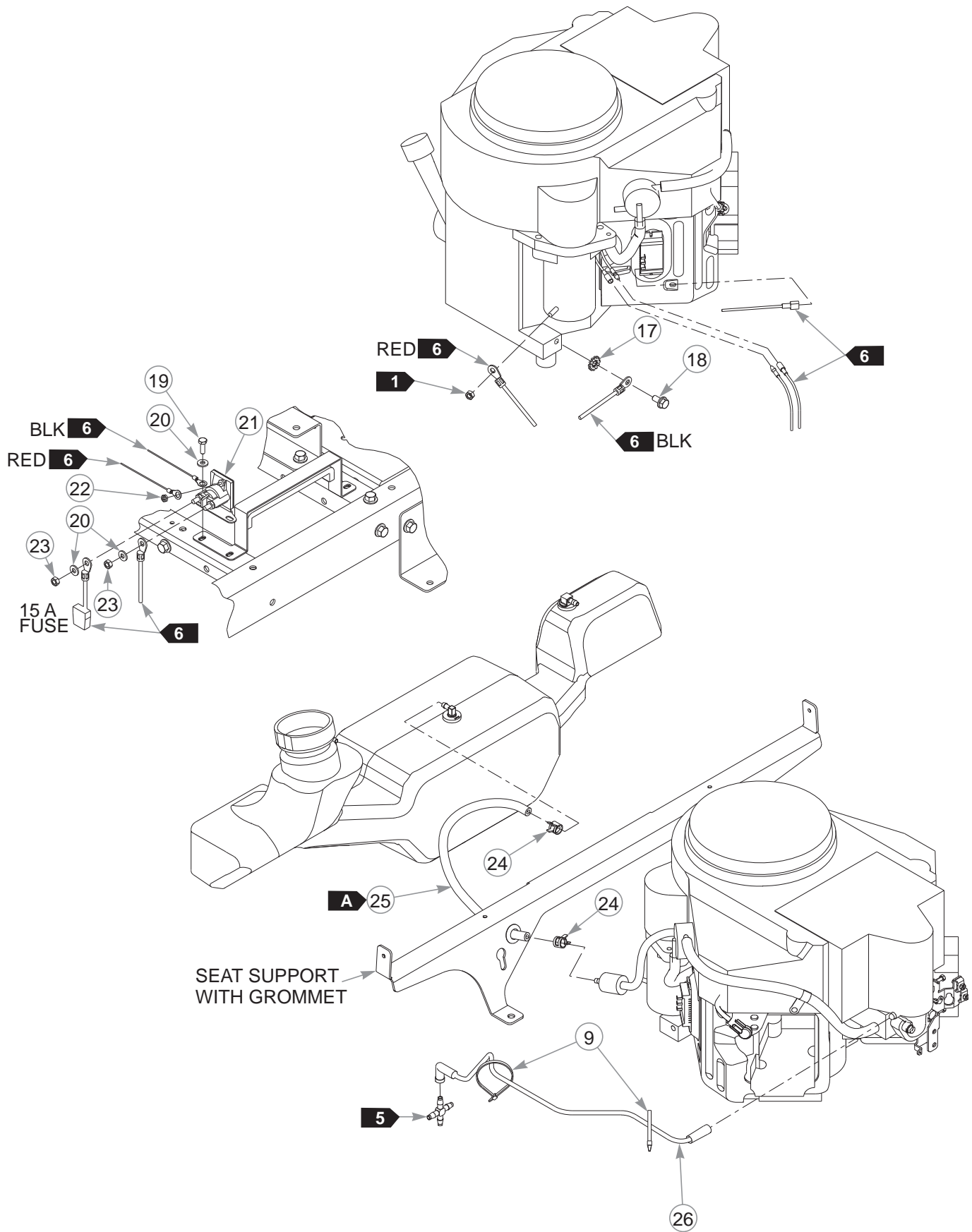
INDEX NO.	PART NO.	QTY.	DESCRIPTION
1	N/A	1	KAWASAKI FR691V & FR730V ENGINE
2	604463	12"	OIL DRAIN HOSE
3	604016	1	MUFFLER
4	016899	1	NT .375-16 HX FLK G5
5	121625	1	CLUTCH ANCHOR
6	767954	5	FW .379 X .813 X .063
7	602580	4	CS .375-16 X 1.25 HX G8 P85
8	036244	1	CS .375-16 X 1.00 HX G5
9	000331	4	WIRE TIE
10	712372	1	KEY 1/4 SQ X .66 LG
11	605675	1	PULLEY
12	605777K	1	CLUTCH KIT
13	602680	1	FW .453 X 1.12 X .119 HRD
14	601834	1	CS .437-20 X 3.25 HX G5 P85
15	605595	1	CLUTCH BUSHING
16	791251	1	CLUTCH HARNESS PIGTAIL

---

### **NOTES:**

1. Supplied with the engine.
2. Torque to 45–48 ft-lbs. Replace (do not reuse) the cap screw if it is removed or loosened. Use only hand tools to install this fastener.
3. Torque to 30–35 ft-lbs. Replace (do not reuse) the cap screw if it is removed or loosened. Use only hand tools to install this fastener.
4. Torque to 22 ft-lbs.

# Engine, Kawasaki—S/N 15021278 & Higher




---

## **Engine, Kawasaki—S/N 15021278 & Higher**

INDEX NO.	PART NO.	QTY.	DESCRIPTION
17	029876	1	LW .325 INT-EXT TOOTH
18	720516	1	CS M8 X 1.25 X 16 HX FL 10.9
19	055939	2	CS .250-20 X .75 HX G5
20	768515	4	FW .281 X .625 X .066
21	030817	1	STARTER SOLENOID
22	044255	1	NT #10-32 HX ZN
23	024927	2	NT .250-20 HX G5
24	000323	2	HOSE CLAMP
25	015818	18"	1/4" FUEL LINE
26	604274	1	3/16" FORMED VAPOR LINE

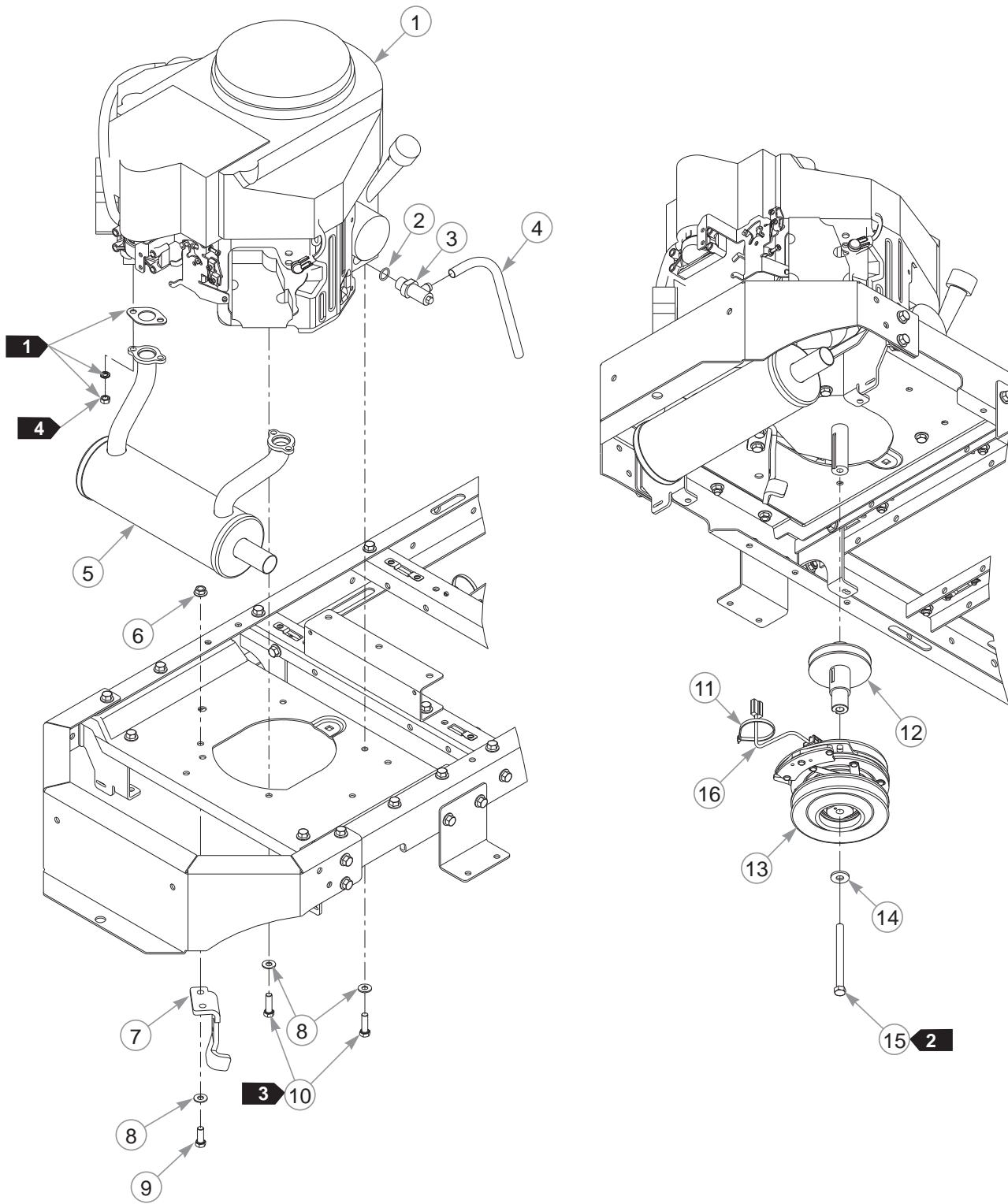
---

### **NOTES:**

<b>FUEL LINE LENGTH</b>		
	18"	TANK TO FUEL FILTER (FUEL)

- 5. Part of the fuel system.
- 6. Part of the wire harness.

**Engine, Kawasaki—S/N 14092401–15021277**



---

## **Engine, Kawasaki—S/N 14092401–15021277**

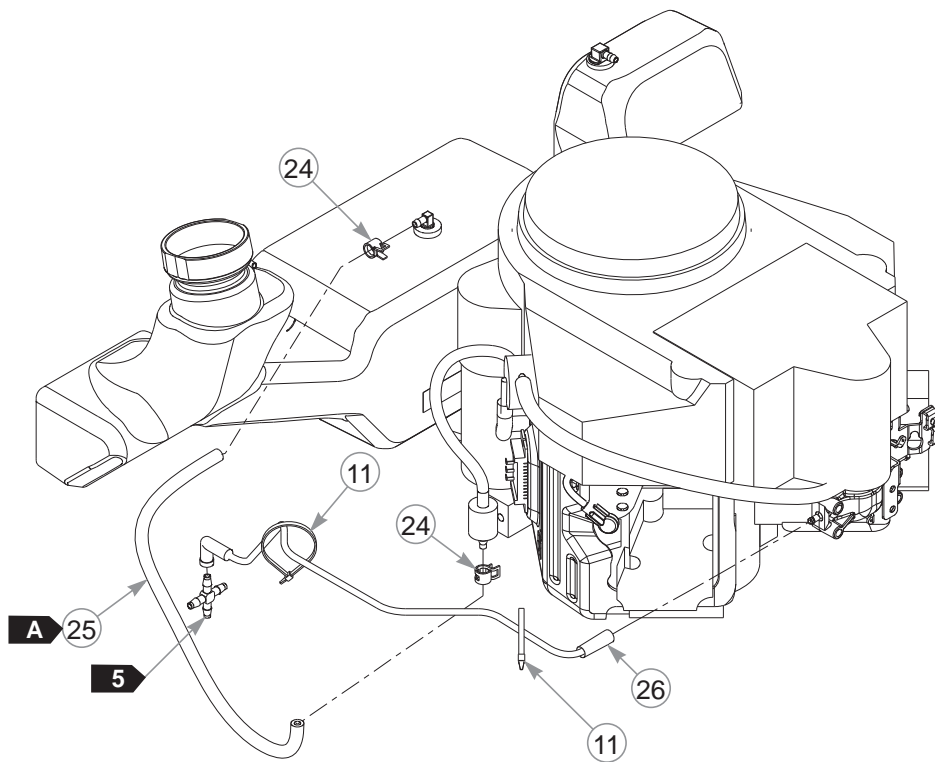
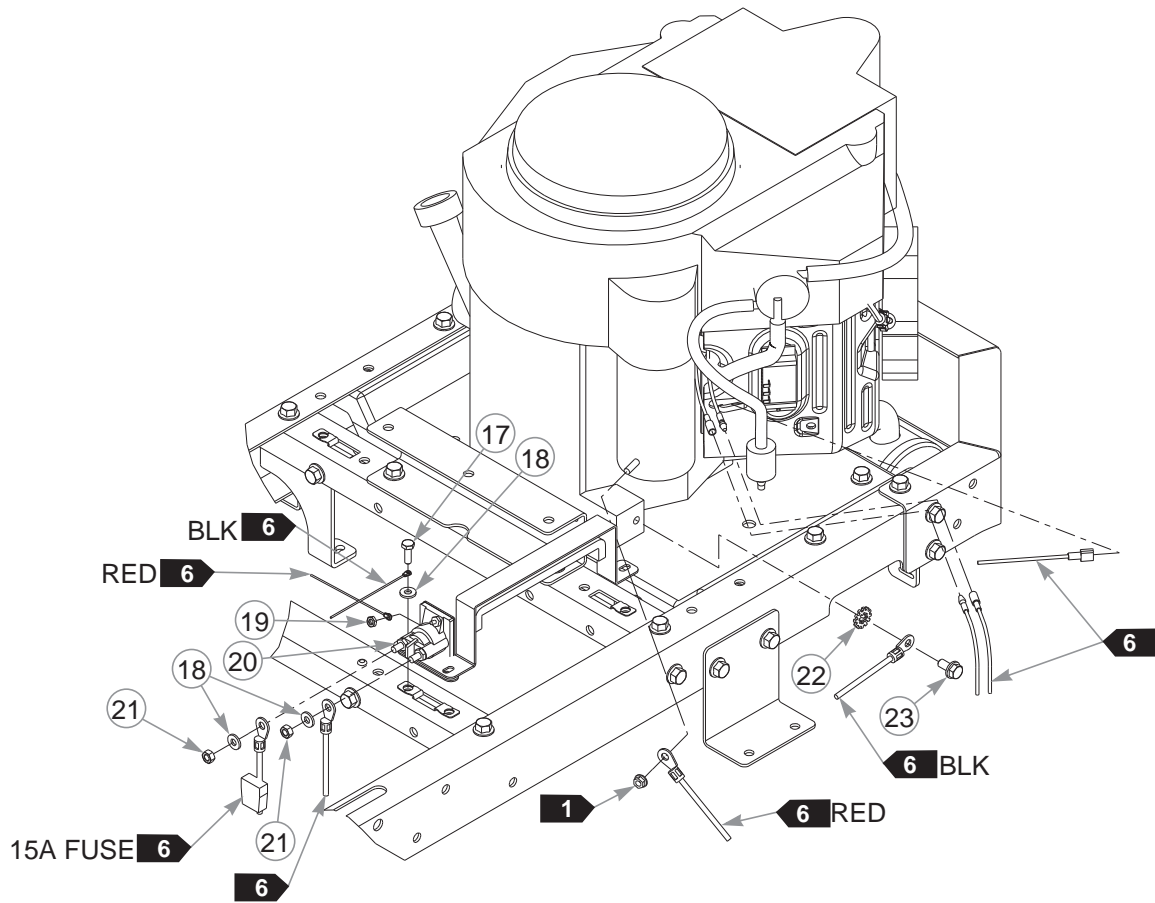
INDEX NO.	PART NO.	QTY.	DESCRIPTION
1	N/A	1	KAWASAKI FR691V & FR730V ENGINE
2	604369	1	O-RING
3	604350	1	OIL DRAIN VALVE
4	604463	12"	OIL DRAIN HOSE
5	604016	1	MUFFLER
6	016899	1	NT .375-16 HX FLK G5
7	118238	1	CLUTCH ANCHOR
8	767954	5	FW .379 X .813 X .063
9	036244	1	CS .375-16 X 1.00 HX G5
10	602580	4	CS .375-16 X 1.25 HX G8 P85
11	000331	4	WIRE TIE
12	604712	1	STUB SHAFT PUMP PULLEY
13	604713K	1	CLUTCH KIT
14	602680	1	FW .453 X 1.12 X .119 HRD
15	605448	1	CS .437-20 X 4.75 HX G5 P85
16	791251	1	CLUTCH HARNESS PIGTAIL

---

### **NOTES:**

1. Supplied with the engine.
2. Torque to 45–48 ft-lbs. Replace (do not reuse) the cap screw if it is removed or loosened. Use only hand tools to install this fastener.
3. Torque to 30–35 ft-lbs. Replace (do not reuse) the cap screw if it is removed or loosened. Use only hand tools to install this fastener.
4. Torque to 22 ft-lbs.

**Engine, Kawasaki—S/N 14092401–15021277**




---

# **Engine, Kawasaki—S/N 14092401–15021277**

INDEX NO.	PART NO.	QTY.	DESCRIPTION
17	055939	2	CS .250-20 X .75 HX G5
18	768515	4	FW .281 X .625 X .066
19	044255	1	NT #10-32 HX ZN
20	030817	1	STARTER SOLENOID
21	024927	2	NT .250-20 HX G5
22	029876	1	LW .325 INT-EXT TOOTH
23	720516	1	CS M8 X 1.25 X 16 HX FL10.9
24	000323	2	HOSE CLAMP
25	015818	18"	1/4" FUEL LINE
26	604274	1	3/16" FORMED VAPOR LINE

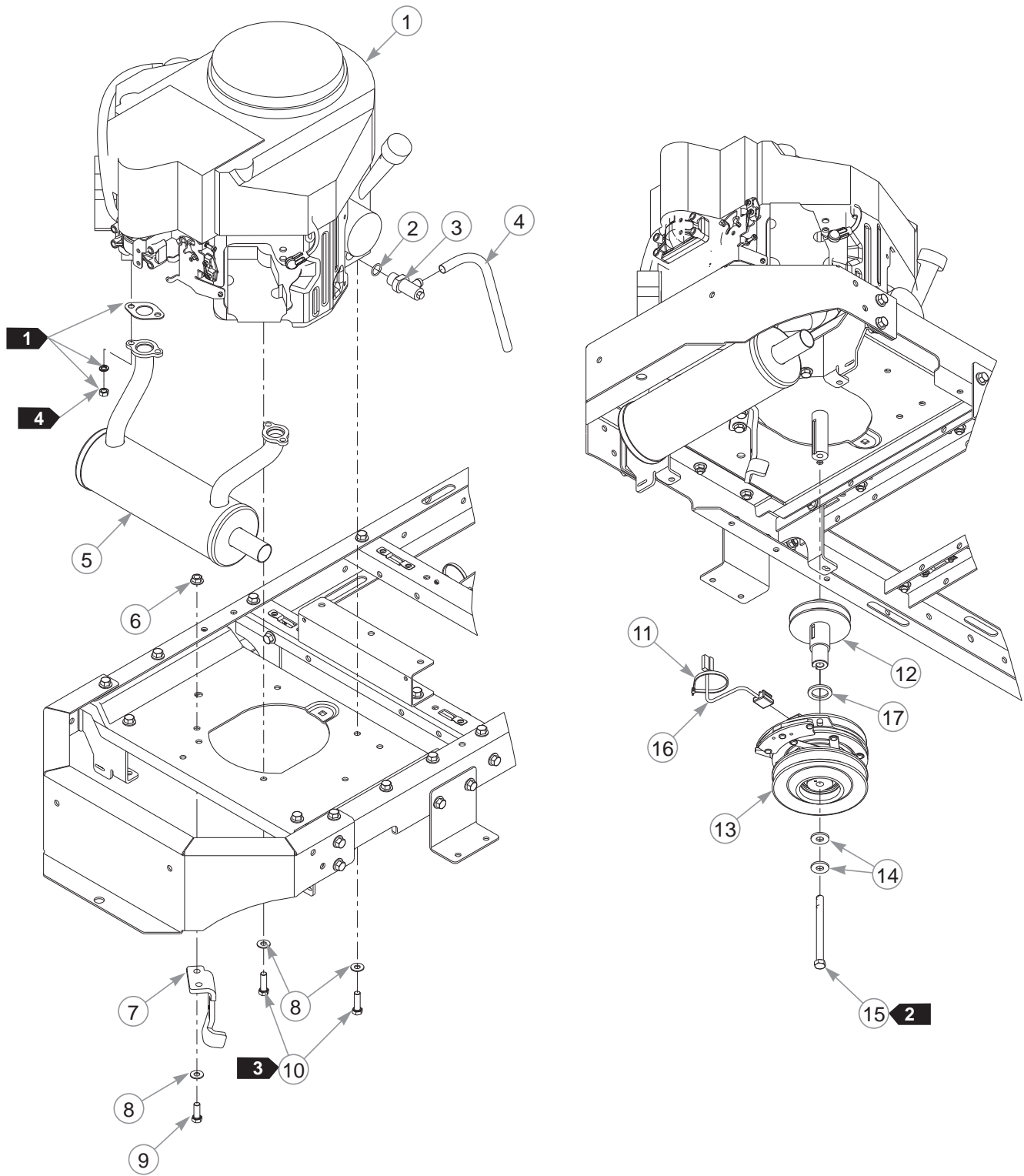
---

## **NOTES:**

<b>FUEL LINE LENGTH</b>		
	18"	TANK TO FUEL FILTER (FUEL)

- 5. Part of the fuel system.
- 6. Part of the wire harness.

# Engine, Kawasaki—S/N Prior to 14092401





---

## **Engine, Kawasaki—S/N Prior to 14092401**

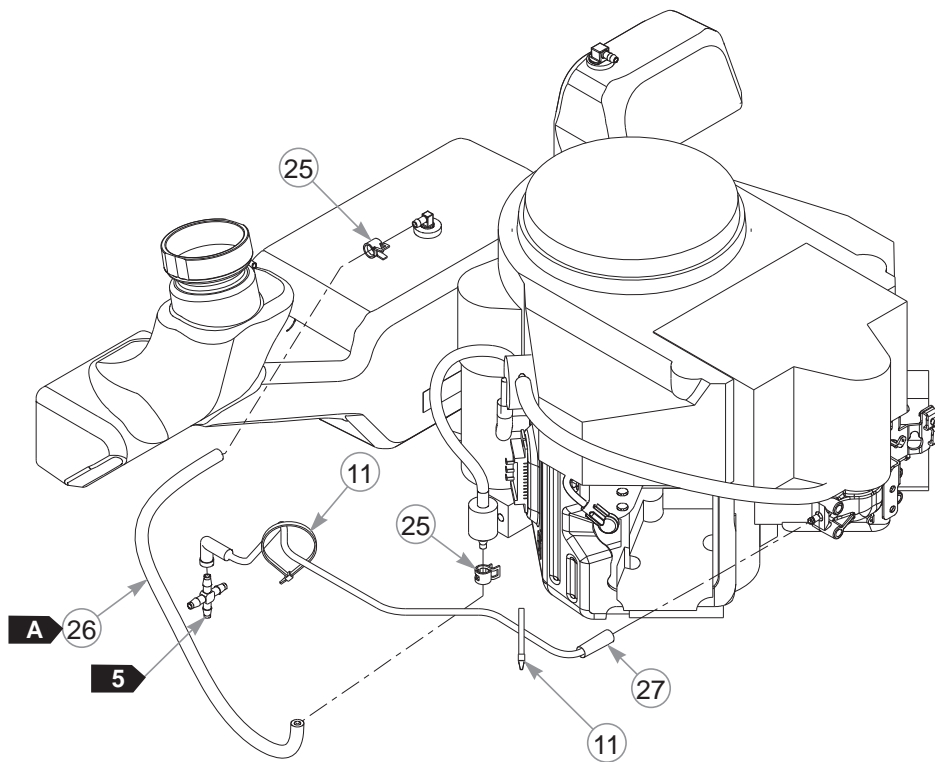
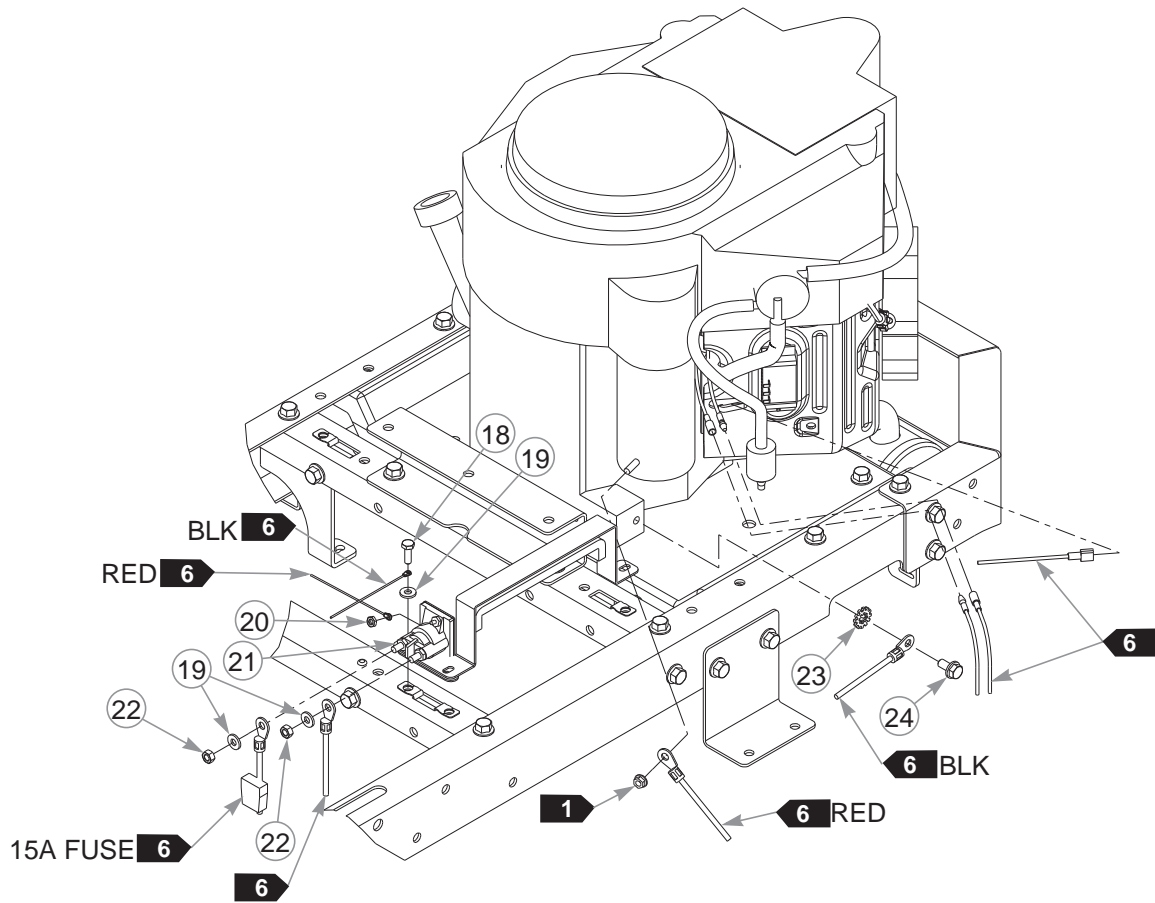
INDEX NO.	PART NO.	QTY.	DESCRIPTION
1	N/A	1	KAWASAKI FR691V, FR730V ENGINE
2	604369	1	O-RING
3	604350	1	OIL DRAIN VALVE
4	604463	12"	OIL DRAIN HOSE
5	604016	1	MUFFLER
6	016899	1	NT .375-16 HX FLK G5
7	118238	1	CLUTCH ANCHOR
8	767954	5	FW .379 X .813 X .063
9	036244	1	CS .375-16 X 1.00 HX G5
10	602580	4	CS .375-16 X 1.25 HX G8 P85
11	000331	4	WIRE TIE
12	604712	1	STUB SHAFT PUMP PULLEY
13	604713K	1	CLUTCH KIT
14	602680	2	FW .453 X 1.12 X .119 HRD
15	604721	1	CS .437-20 X 5.00 HX G5
16	791251	1	CLUTCH HARNESS PIGTAIL
17	045765	1	FW 1.03 X 1.50 X 0.134

---

### **NOTES:**

1. Supplied with the engine.
2. Torque to 45–48 ft-lbs. Replace (do not reuse) the cap screw if it is removed or loosened. Use only hand tools to install this fastener.
3. Torque to 30–35 ft-lbs. Replace (do not reuse) the cap screw if it is removed or loosened. Use only hand tools to install this fastener.
4. Torque to 22 ft-lbs.

# Engine, Kawasaki—S/N Prior to 14092401




---

## **Engine, Kawasaki—S/N Prior to 14092401**

INDEX NO.	PART NO.	QTY.	DESCRIPTION
18	055939	2	CS .250-20 X .75 HX G5
19	768515	4	FW .281 X .625 X .066
20	044255	1	NT #10-32 HX ZN
21	030817	1	STARTER SOLENOID
22	024927	2	NT .250-20 HX G5 ZNYC
23	029876	1	LW .312 INT-EXT TOOTH
24	720516	1	CS M8 X 1.25 X 16 HX FL10.9
25	000323	2	HOSE CLAMP
26	015818	18"	1/4" FUEL LINE
27	604274	1	3/16" FORMED VAPOR LINE

---

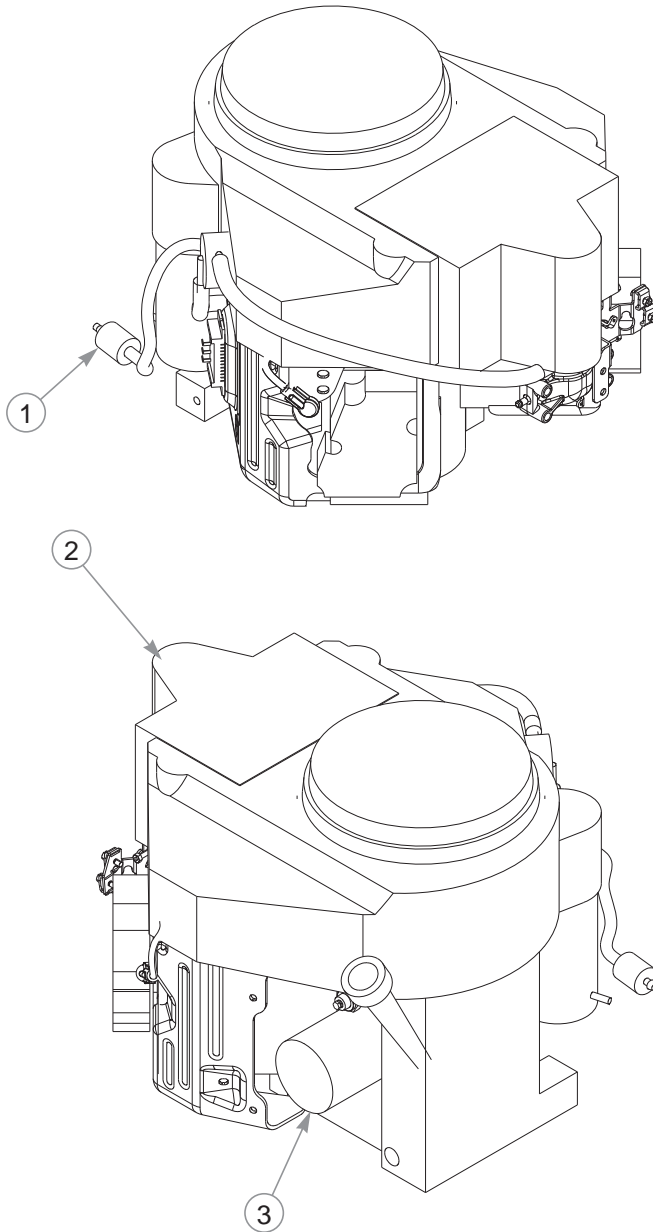
### NOTES:

FUEL & VAPOR LINE LENGTHS		
	18"	TANK TO FUEL FILTER (FUEL)

- 5. Part of the fuel system.
- 6. Part of the wire harness.

---

# **Engine Service Parts, Kawasaki**



---

INDEX NO.	PART NO.	QTY.	DESCRIPTION
1	068478	1	IN-LINE FUEL FILTER
2	603059	1	AIR FILTER
3	602581	1	OIL FILTER

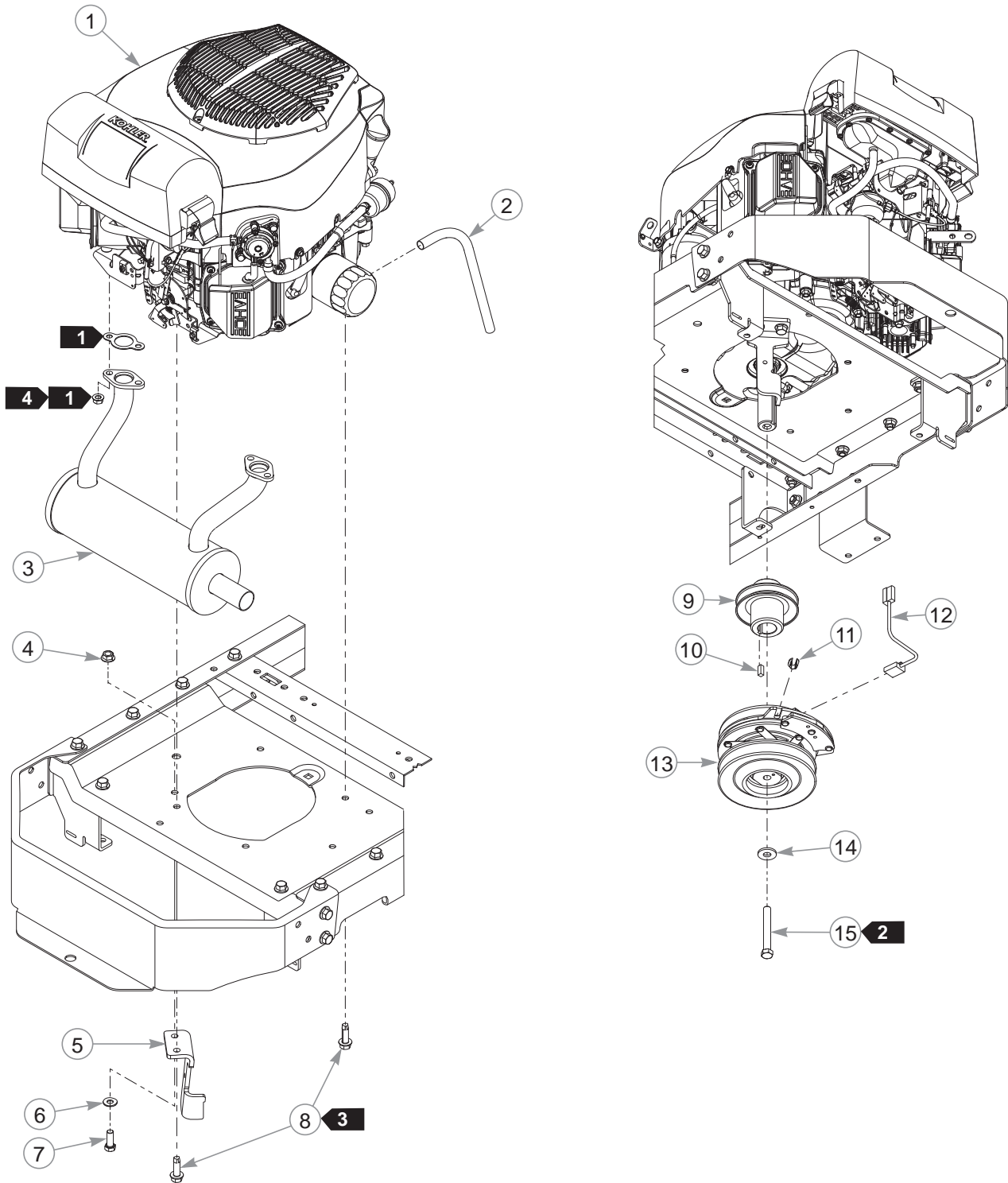
---

## **NOTES:**

---

**This page intentionally left blank.**

# Engine, Kohler



---

## **Engine, Kohler**

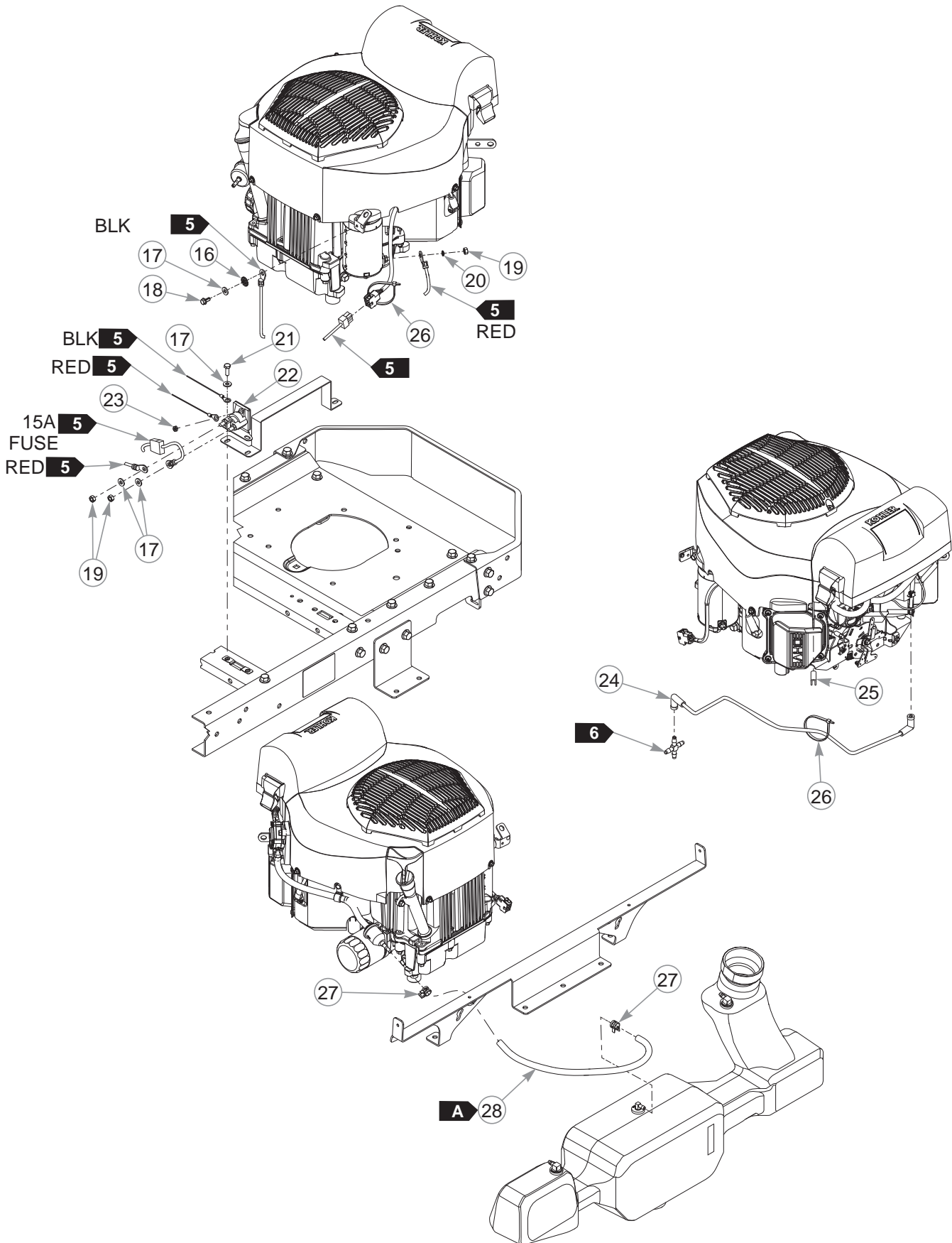
INDEX NO.	PART NO.	QTY.	DESCRIPTION
1	N/A	1	KOHLER KT740 & KT745 ENGINE
2	604463	12"	OIL DRAIN HOSE
3	605793	1	MUFFLER
4	016899	1	NT .375-16 HX G5 FLK
5	121625	1	CLUTCH ANCHOR
6	767954	1	FW .379 X .813 X .063
7	036244	1	CS .375-16 X 1.00 HX G5
8	605814	4	SC .375-16 X 1.25 FLG
9	605675	1	PULLEY
10	712372	1	KEY 1/4 SQ X .66 LG
11	605595	1	CLUTCH BUSHING
12	791251	1	CLUTCH HARNESS PIGTAIL
13	605777K	1	CLUTCH KIT
14	602680	1	FW .453 X 1.12 X .119 HRD
15	601834	1	CS .437-20 X 3.25 HX G5 P85

---

### **NOTES:**

1. Supplied with the engine.
2. Torque to 45–48 ft-lbs. Replace (do not reuse) the cap screw if it is removed or loosened. Use only hand tools to install this fastener.
3. Torque to 30 ft-lbs. Use only hand tools to install this fastener.
4. Torque to 18 ft-lbs.

# Engine, Kohler






---

## Engine, Kohler

INDEX NO.	PART NO.	QTY.	DESCRIPTION
16	029868	1	LW .250 INT-EXT TOOTH Z
17	768515	5	FW .281 X .625 X .066
18	603617	1	SC .250-20 X .50 HX FL STP
19	024927	3	NT .250-20 HX G5
20	017038	1	LW .250 MED SPRING ZNYC
21	055939	2	CS .250-20 X .75 HX G5
22	030817	1	STARTER SOLENOID
23	044255	1	NT #10-32 HX ZN
24	605894	1	3/16" FORMED VAPOR LINE
25	604966	1	TRIM LOCK 1.13"
26	000331	2	WIRE TIE
27	000323	2	HOSE CLAMP
28	015818	18"	1/4" FUEL LINE

---

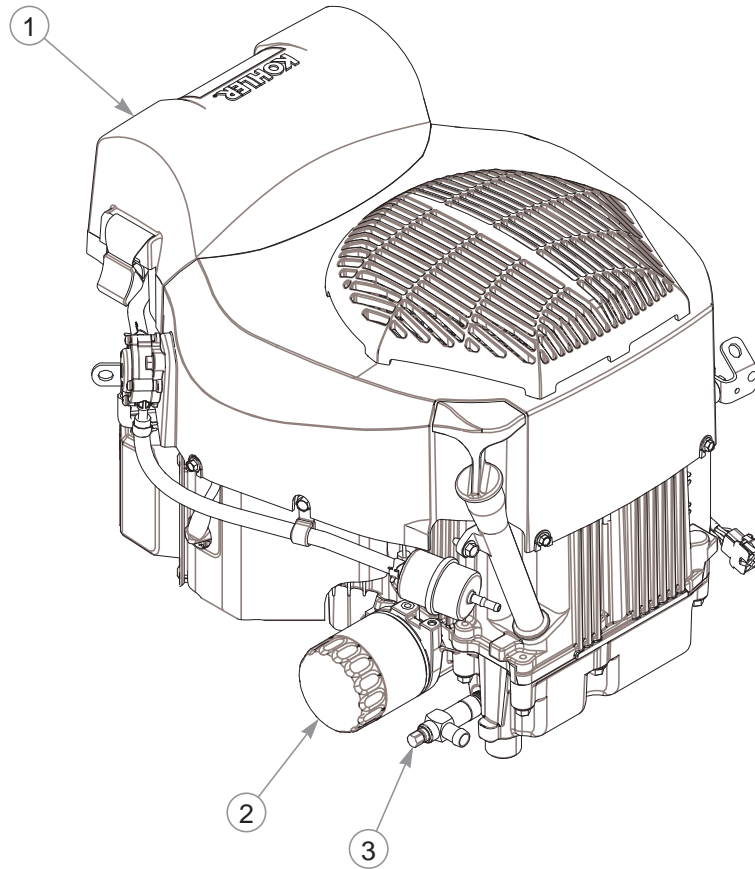
### NOTES:

FUEL LINE LENGTH		
	18"	TANK TO FUEL FILTER (FUEL)

5. Part of the wire harness.
6. Part of the fuel system.

---

# ***Engine Service Parts, Kohler—Canister Type Air Filter***



---

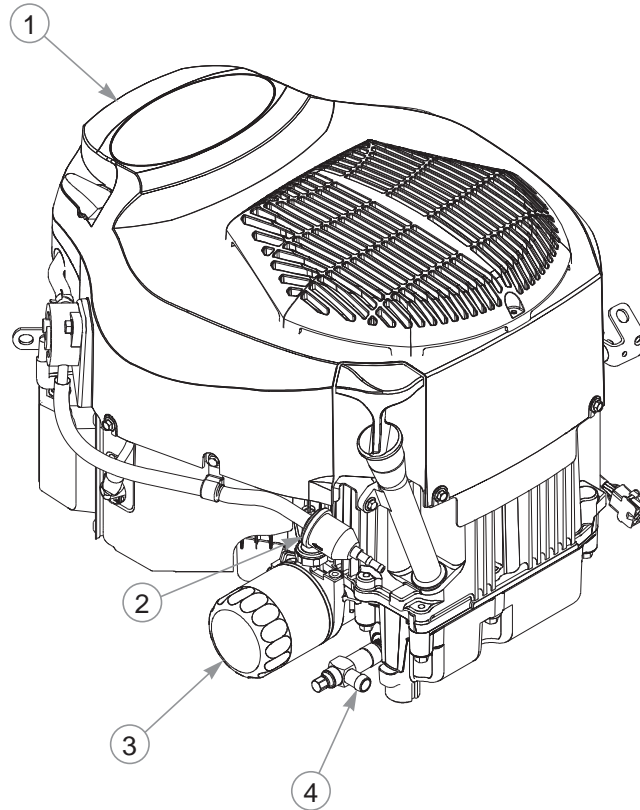
INDEX NO.	PART NO.	QTY.	DESCRIPTION
1	606475	1	AIR CLEANER
2	606095	1	OIL FILTER
3	606020	1	OIL DRAIN VALVE

---

### **NOTES:**

---

# ***Engine Service Parts, Kohler—Ring Type Air Filter***



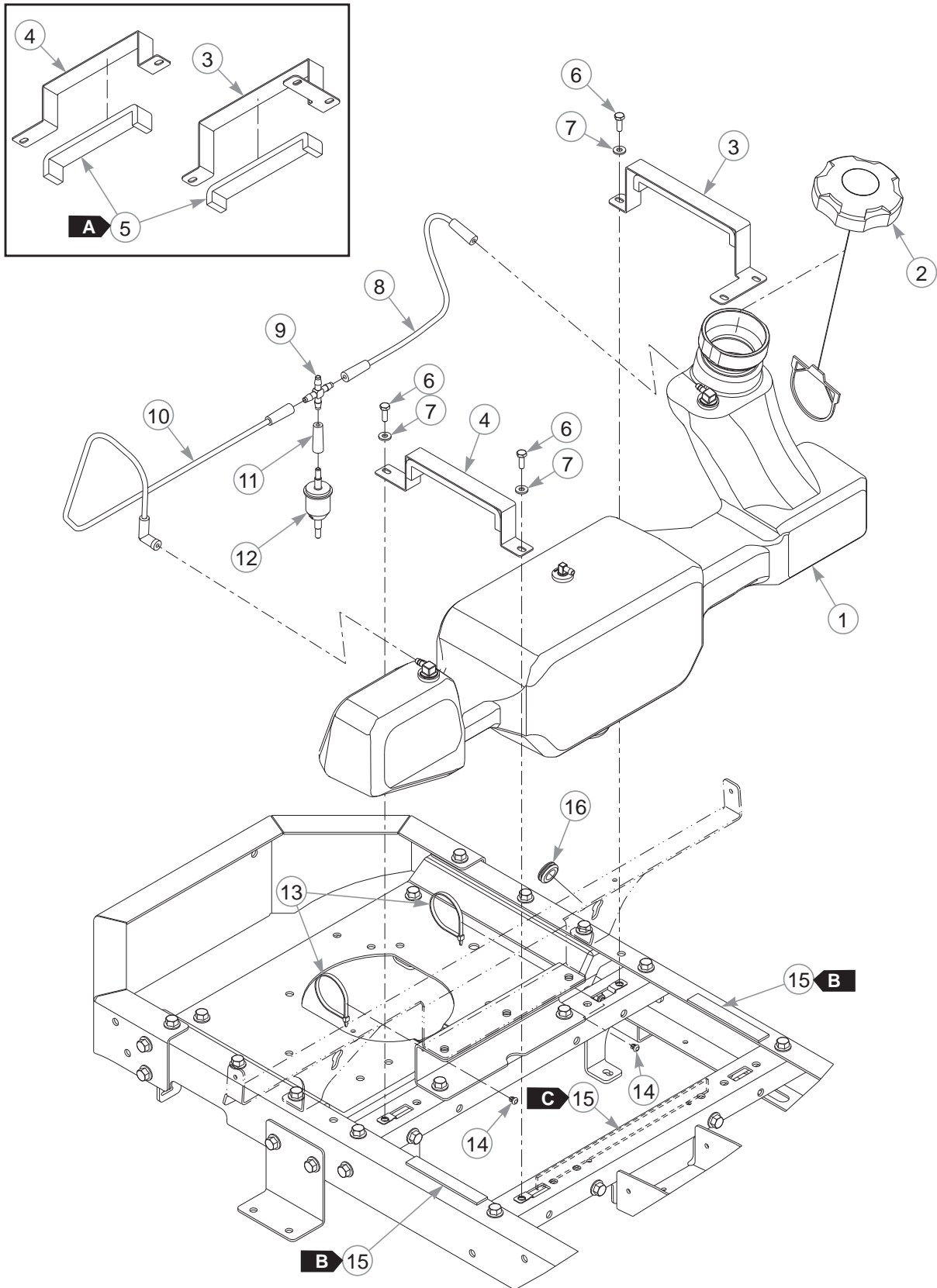
---

INDEX NO.	PART NO.	QTY.	DESCRIPTION
1	605990	1	AIR CLEANER
2	068478	1	IN-LINE FUEL FILTER
3	606095	1	OIL FILTER
4	606020	1	OIL DRAIN VALVE

---

### **NOTES:**

# Fuel System






---

# Fuel System

INDEX NO.	PART NO.	QTY.	DESCRIPTION
1	605958	1	FUEL TANK (S/N 15077829 & HIGHER)
	604336	1	FUEL TANK (S/N PRIOR TO 15077829)
2	603807	1	RATCHETING GAS CAP, 3.5"
3	117059	1	LEFT TANK MOUNT
4	117060	1	RIGHT TANK MOUNT
5	713198	18.5"	SEAL 3/8 X 3/4
6	055939	3	CS .250-20 X .75 HX G5
7	768515	3	FW .281 X .625 X .066
8	604279	1	3/16" FORMED VAPOR LINE
9	604322	1	1/4" HOSE BARB CROSS
10	604273	1	3/16" FORMED VAPOR LINE
11	604292	1	BOOT, 3/16" TO 1/4" BARB
12	604323	1	VAPOR SYSTEM FILTER
13	000331	2	WIRE TIE
14	604307	2	PUSH BUTTON MOUNT
15	033035	22"	WEATHERSTRIP
16	601400	1	GM .63 X 1.13 X .88 X .13 (S/N 15077829 & HIGHER)

---

## NOTES:

WEATHERSTRIP & SEAL LENGTH	
<b>A</b> 	9.25"
<b>B</b> 	5"
<b>C</b> 	12"

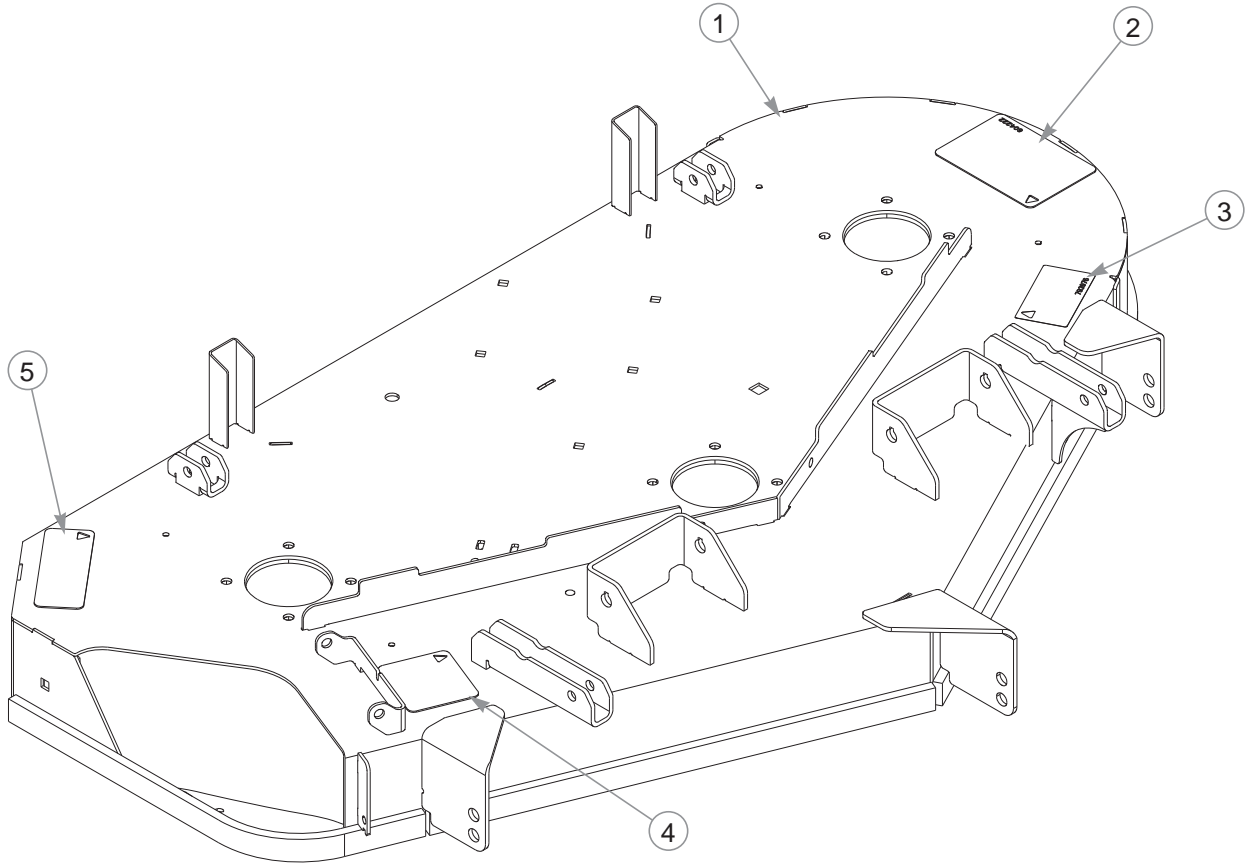
---

---

## Section 6

48" Service Deck . . . . .	6-2
48" Deck Pulleys & Spindles—S/N 15010708 & Higher . . . . .	6-4
48" Deck Pulleys & Spindles—S/N 14074266–15010707 . . . . .	6-6
48" Deck Pulleys & Spindles—S/N Prior to 14074266 . . . . .	6-8
48" Deck . . . . .	6-10
54" Service Deck . . . . .	6-12
54" Deck Pulleys & Spindles—S/N 15010708 & Higher . . . . .	6-14
54" Deck Pulleys & Spindles—S/N 14074307–15010707 . . . . .	6-16
54" Deck Pulleys & Spindles—S/N Prior to 14074307 . . . . .	6-18
54" Deck . . . . .	6-20
60" Service Deck . . . . .	6-22
60" Deck Pulleys & Spindles—S/N 15010708 & Higher . . . . .	6-24
60" Deck Pulleys & Spindles—S/N 14074367–15010707 . . . . .	6-26
60" Deck Pulleys & Spindles—S/N Prior to 14074367 . . . . .	6-28
60" Deck . . . . .	6-30
Deck Mounting Hardware . . . . .	6-32

# 48" Service Deck



INDEX NO.	PART NO.	QTY.	DESCRIPTION
1	552357	1	48" DECK (WITH DECALS)
2	604222	1	DANGER/OBJECTS DECAL
3	793976	1	48" DECK DECAL
4	601837	1	DECK DANGERS DECAL
5	601624	1	DISCHARGE CHUTE DECAL

## NOTES:



---

**This page intentionally left blank.**



---

## **48" Deck Pulleys & Spindles—S/N 15010708 & Higher**

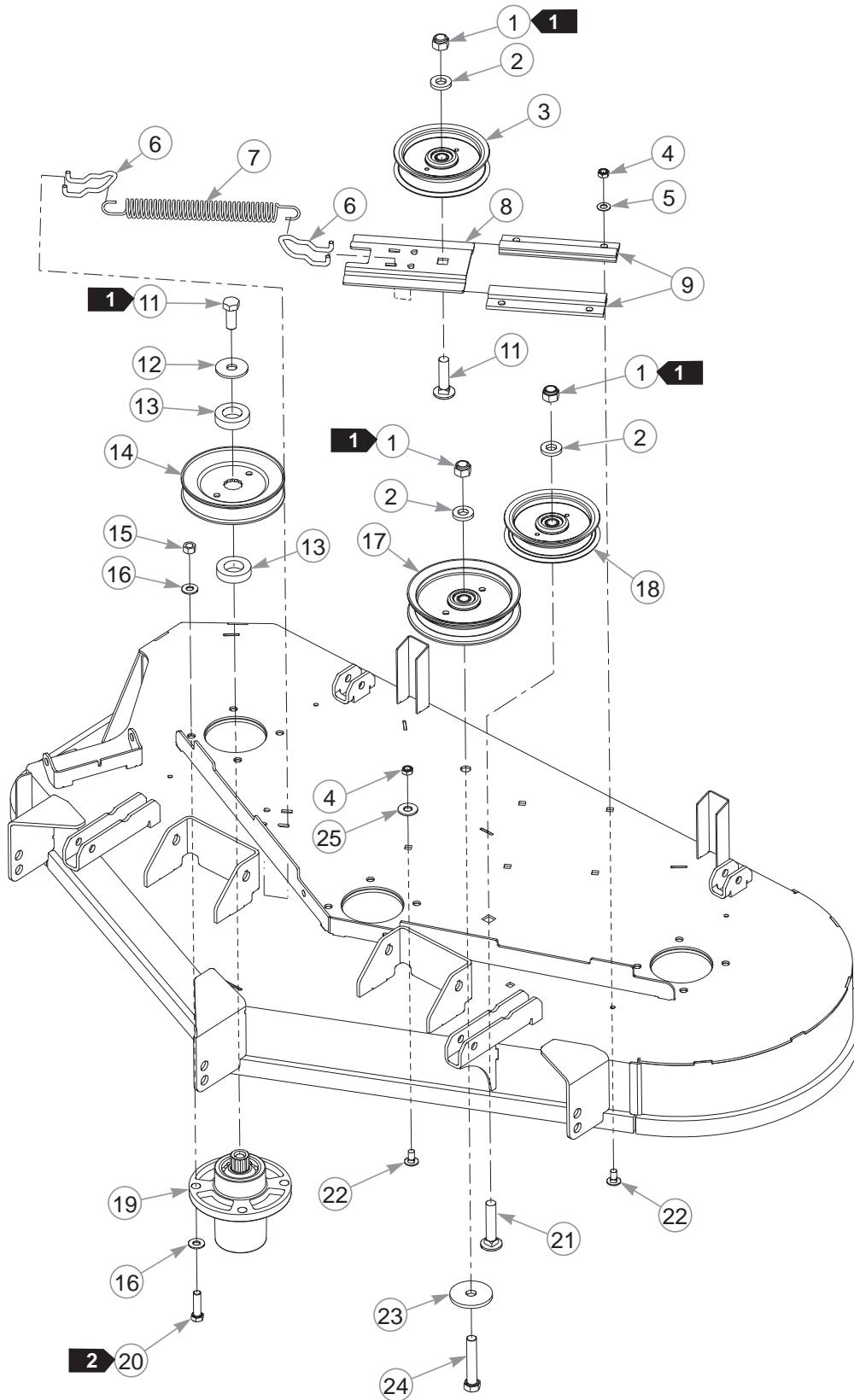
INDEX NO.	PART NO.	QTY.	DESCRIPTION
1	781567	3	NT .500-13 HX G8 ZY NL
2	121780	1	BELT GUIDE
3	767962	3	FW .531 X 1.063 X .175
4	603986	1	IDLER PULLEY, 4.00" FLAT
5	604251	5	NT .312-18 HX NL JAM G2 ZN
6	604252	4	FW .340 X .675 X .035 ZN
7	604110	2	SPRING TENSIONER ANCHOR
8	122388	1	IDLER SPRING
9	604194	1	IDLER SLED
10	604079	2	IDLER SLIDE
11	604253	1	CB .50-13 X 2.00 STD ZN
12	705954	3	CS .500-13 X 1.25 HX G5
13	798603	3	FW .515 X 1.65 X .125 HD ZY
14	604661	6	PULLEY SPACER
15	604665	3	DRIVE PULLEY B-SEC
16	054502	12	NT .375-16 HX G5 ZNY
17	767954	24	FW .379 X .813 X .063
18	604231	1	IDLER PULLEY, 5.00" O.D.
19	604219	1	IDLER PULLEY, 4.00" FLAT
20	601804	3	SPINDLE ASSEMBLY
21	005116	12	CS .375-16 X 1.375 HX G5
22	083147	5	CB .312-18 X .620 G5 ZN
23	605516	2	FW .531 X 2.00 X .25
24	721910	2	CS .500-13 X 2.75 HX G5 Z
25	017129	1	FW .440 X 1.00 X .083 ZNY

---

### **NOTES:**

1. Torque to 73 ft-lbs.
2. Torque to 30 ft-lbs.

# 48" Deck Pulleys & Spindles—S/N 14074266–15010707



---

## **48" Deck Pulleys & Spindles—S/N 14074266–15010707**

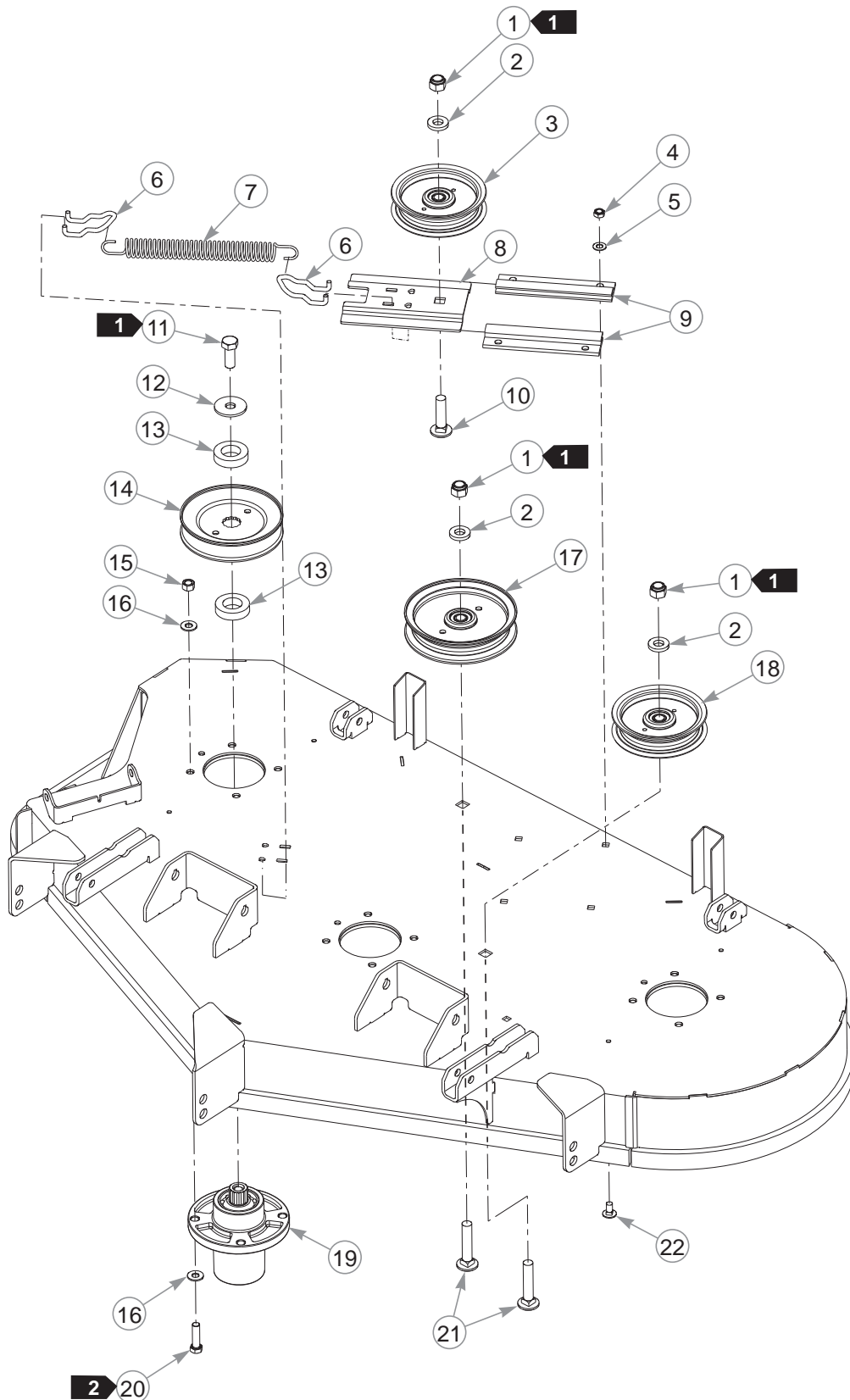
INDEX NO.	PART NO.	QTY.	DESCRIPTION
1	781567	3	NT .500-13 NL G5
2	767962	3	FW .531 X 1.063 X .175
3	603986	1	IDLER PULLEY, 4.00" FLAT
4	604251	5	NT .312-18 HX NL JAM G2 ZN
5	604252	4	FW .340 X .675 X .035 ZN
6	604110	2	SPRING TENSIONER ANCHOR
7	604291	1	IDLER SPRING
8	604194	1	IDLER SLED
9	604079	2	IDLER SLIDE
10	604253	1	CB .50-13 X 2.00 STD ZN
11	705954	3	CS .500-13 X 1.25 HS G5
12	798603	3	FW .515 X 1.65 X .125 HD ZY
13	604661	6	PULLEY SPACER
14	604665	3	DRIVE PULLEY B-SEC
15	054502	12	NT .375-16 HX G5 ZNY
16	767954	24	FW .379 X .813 X .063
17	604231	1	IDLER PULLEY, 5.00" O.D.
18	604219	1	IDLER PULLEY, 4.00" FLAT
19	601804	3	SPINDLE ASSEMBLY
20	005116	12	CS .375-16 X 1.375 HX G5
21	604254	1	CB .50-13 X 2.50 STD ZN
22	083147	5	CB .312-18 X .620 G5 ZN
23	344267	1	FW .510 X 2.15 X .187 SPL
24	721910	1	CS .500-13 X 2.75 HX G5 Z
25	017129	1	FW .440 X 1.00 X .083 ZNY

---

### **NOTES:**

1. Torque to 73 ft-lbs.
2. Torque to 30 ft-lbs.

# 48" Deck Pulleys & Spindles—S/N Prior to 14074266



---

## **48" Deck Pulleys & Spindles—S/N Prior to 14074266**

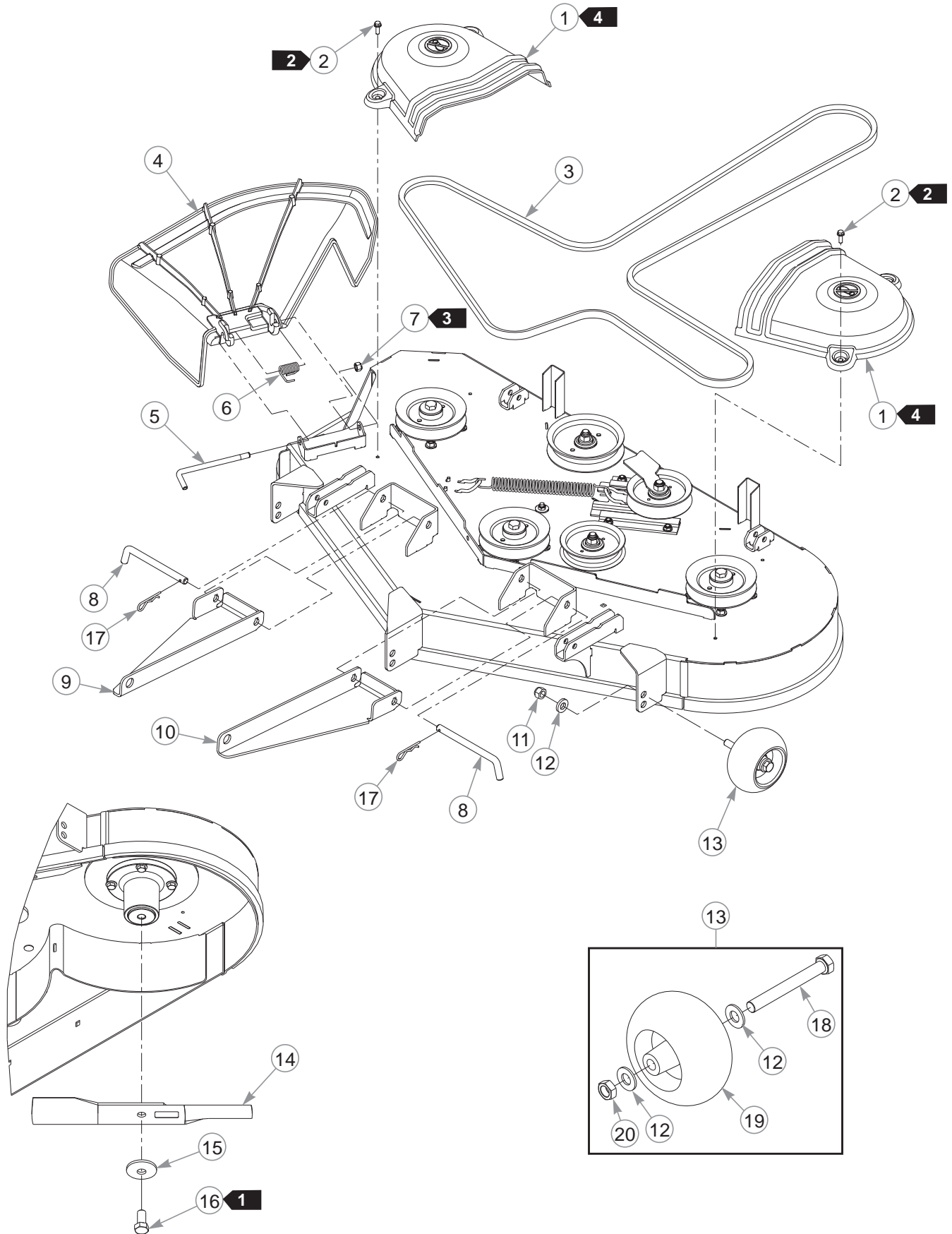
INDEX NO.	PART NO.	QTY.	DESCRIPTION
1	781567	3	NT .500-13 NL G5
2	767962	3	FW .531 X 1.063 X .175
3	603986	1	IDLER PULLEY, 4.00" FLAT
4	604251	4	NT .312-18 HX NL JAM G2 ZN
5	604252	4	FW .340 X .675 X .035 ZN
6	604110	2	SPRING TENSIONER ANCHOR
7	604291	1	IDLER SPRING
8	604194	1	IDLER SLED
9	604079	2	IDLER SLIDE
10	604253	1	CB .50-13 X 2.00 STD ZN
11	705954	3	CS .500-13 X 1.25 HS G5
12	798603	3	FW .515 X 1.65 X .125 HD ZY
13	604661	6	PULLEY SPACER
14	604665	3	DRIVE PULLEY B-SEC
15	054502	12	NT .375-16 HX G5 ZNY
16	767954	24	FW .379 X .813 X .063
17	604231	1	IDLER PULLEY, 5.00" O.D.
18	604219	1	IDLER PULLEY, 4.00" FLAT
19	601804	3	SPINDLE ASSEMBLY
20	005116	12	CS .375-16 X 1.375 HX G5
21	604254	2	CB .50-13 X 2.50 STD ZN
22	083147	4	CB .312-18 X .620 G5 ZN

---

### **NOTES:**

1. Torque to 73 ft-lbs.
2. Torque to 30 ft-lbs.

# 48" Deck





---

## **48" Deck**

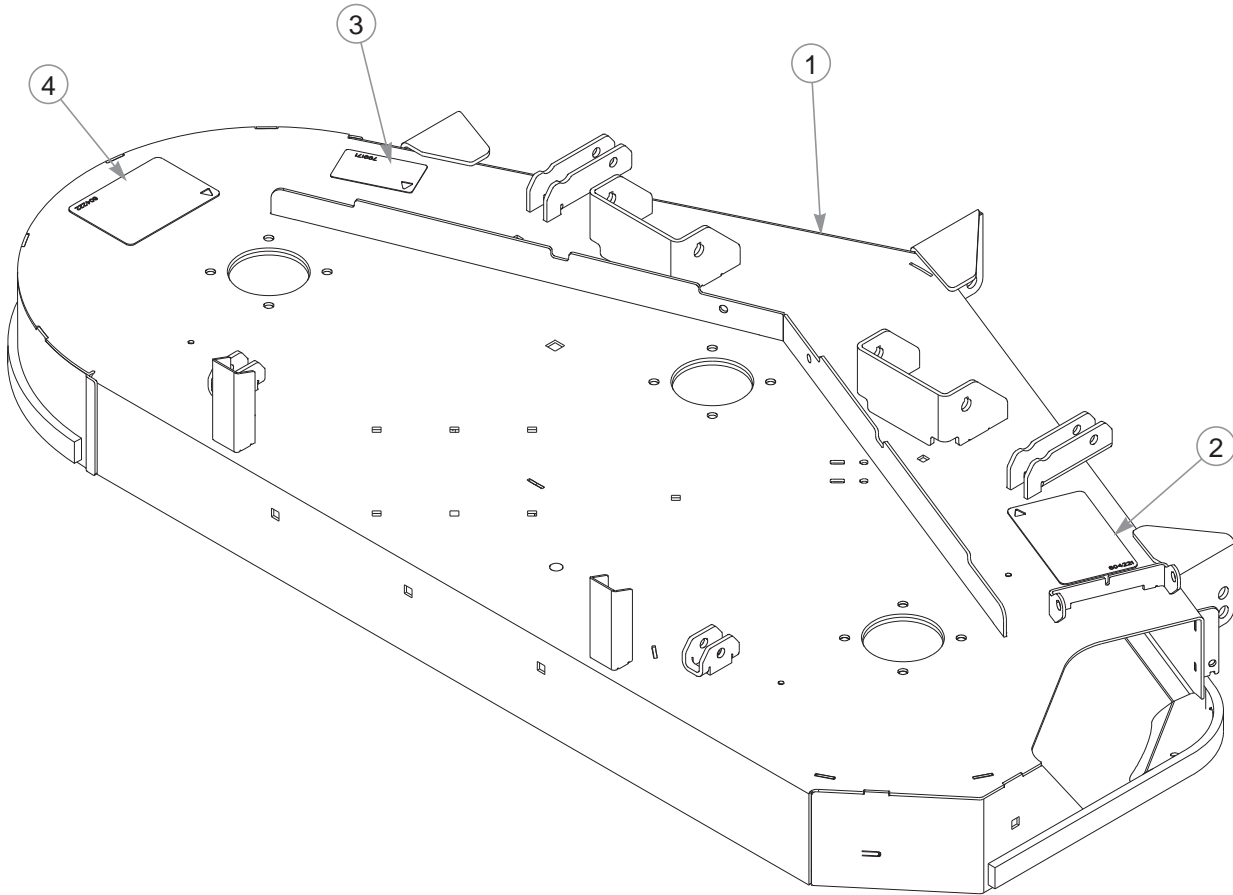
INDEX NO.	PART NO.	QTY.	DESCRIPTION
1	605867	2	PULLEY COVER (S/N 15091572 & HIGHER)
2	604324	4	CS .250-20 X .75 HX FLG
3	604830	1	BELT, B-SECTION
4	604609	1	DISCHARGE CHUTE
5	604346	1	DISCHARGE CHUTE PIN
6	604331	1	CHUTE SPRING
7	086660	1	NT .375-16 HX G5 NL
8	604658	2	PULLER PIN
9	117877	1	RS PULLER
10	117878	1	LS PULLER
11	781567	3	NT .500-13 HX G8 ZY NL
12	767962	5	FW .531 X 1.063 X .175
13	788166	3	PLASTIC WHEEL ASSEMBLY
14	601123	3	BLADE, 16.50"-L-F-CW
	601014	3	BLADE, F16.50"-L-F-CW
	795757	3	BLADE, F16.50"-H-F-CW
	796623	3	BLADE, 16.50"-MUL-F-CW
	796631	3	BLADE, 16.50"-GAT-F-CW
	796649	3	BLADE, 16.50"-CAT-F-CW
15	782474	3	CW .631 X 2.25 X .187 PNT
16	781872	3	CS .625-11 X 1.25 HX G5 Z
17	017301	2	HP .125 X 2.375 ZN
18	781708	1	CS .500-13 X 4.25 HX G5
19	031997	1	PLASTIC WHEEL
20	053199	1	NT .500-13 HX JAM ZNYC

---

### **NOTES:**

1. Torque to 118 ft-lbs.
2. Torque to 8 ft-lbs on these 4 self-tapping screws.
3. Do not torque; the discharge chute must pivot freely.
4. Mowers with serial numbers prior to 15091572 require kit 122667, which includes drill templates and (1) pulley cover 605867.

# **54" Service Deck**



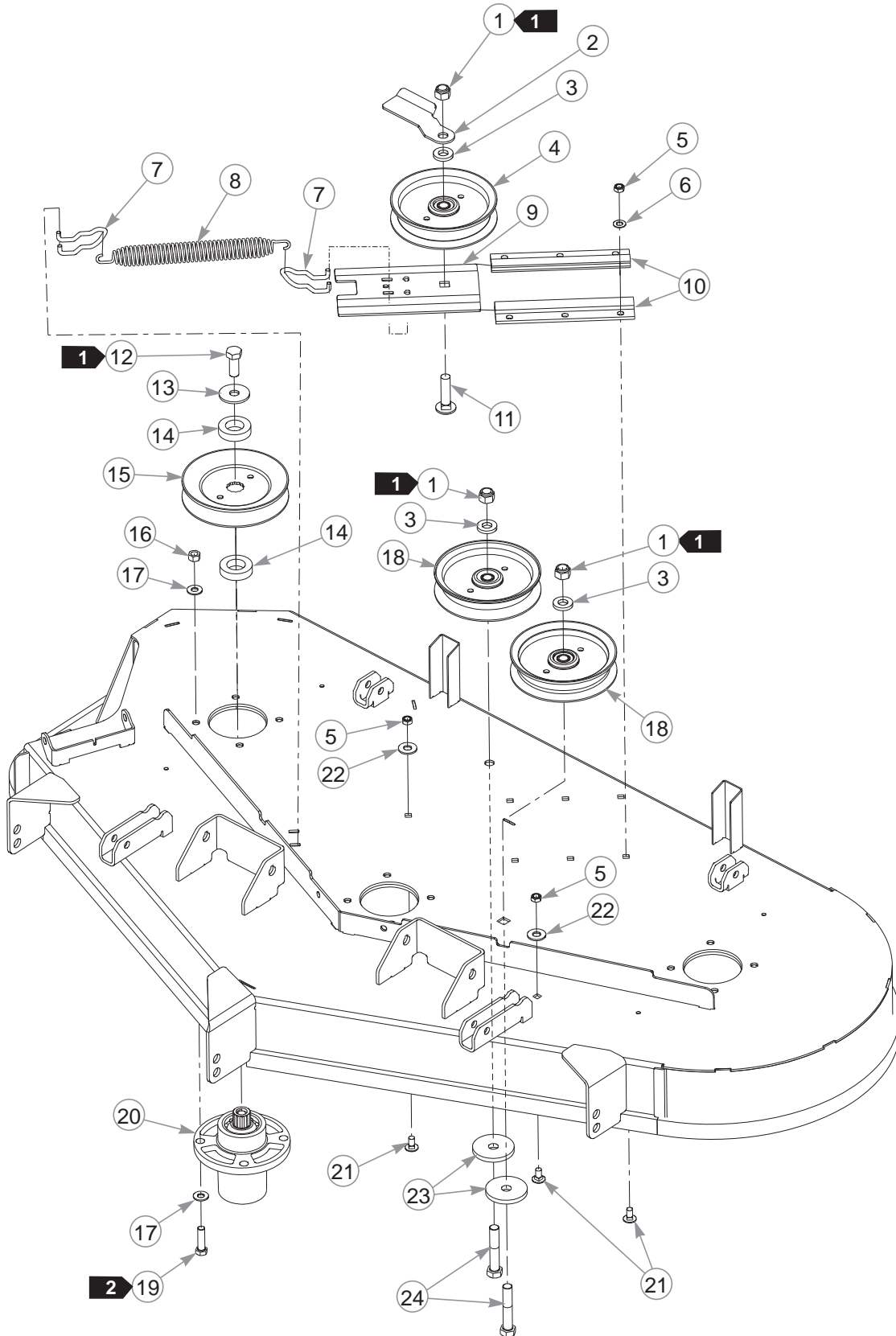
INDEX NO.	PART NO.	QTY.	DESCRIPTION
1	552358	1	54" DECK (WITH DECALS)
2	604221	1	DANGER/CHUTE DECAL
3	799171	1	54" DECK DECAL
4	604222	1	DANGER/OBJECTS DECAL

## **NOTES:**

---

**This page intentionally left blank.**

# 54" Deck Pulleys & Spindles—S/N 15010708 & Higher



---

## **54" Deck Pulleys & Spindles—S/N 15010708 & Higher**

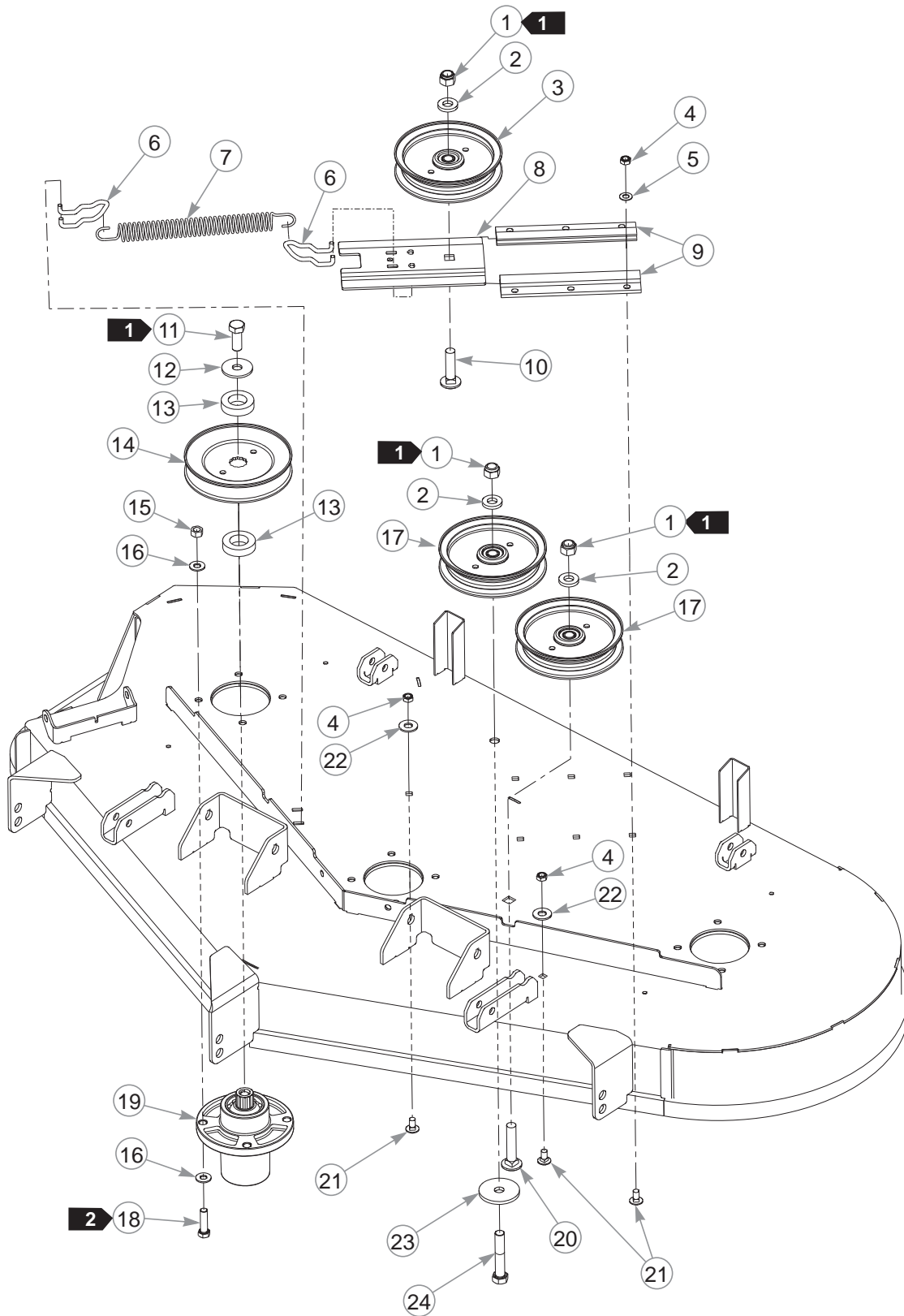
INDEX NO.	PART NO.	QTY.	DESCRIPTION
1	781567	3	NT .500-13 HX G8 ZY NL
2	121780	1	BELT GUIDE
3	767962	3	FW .531 X 1.063 X .175
4	604792	1	IDLER PULLEY, 5.00" O.D.
5	604251	8	NT .312-18 HX NL JAM G2 ZN
6	604252	6	FW .340 X .675 X .035 ZN
7	604110	2	SPRING TENSIONER ANCHOR
8	122388	1	IDLER SPRING
9	604791	1	IDLER SLED
10	604790	2	IDLER SLIDE
11	604253	1	CB .50-13 X 2.00 STD ZN
12	705954	3	CS .500-13 X 1.25 HX G5
13	798603	3	FW .515 X 1.65 X .125 HD ZY
14	604661	6	PULLEY SPACER
15	604664	3	PULLEY
16	054502	12	NT .375-16 HX G5 ZNY
17	767954	24	FW .379 X .813 X .063
18	604231	2	IDLER PULLEY, 5.00" O.D.
19	005116	12	CS .375-16 X 1.375 HX G5
20	601804	3	SPINDLE ASSEMBLY
21	083147	8	CB .312-18 X .620 G5 ZN
22	017129	2	FW .440 X 1.00 X .083 ZNY
23	605516	2	FW .531 X 2.00 X .25
24	721910	2	CS .500-13 X 2.75 HX G5 Z

---

### **NOTES:**

1. Torque to 73 ft-lbs.
2. Torque to 30 ft-lbs.

# 54" Deck Pulleys & Spindles—S/N 14074307–15010707



---

## **54" Deck Pulleys & Spindles—S/N 14074307–15010707**

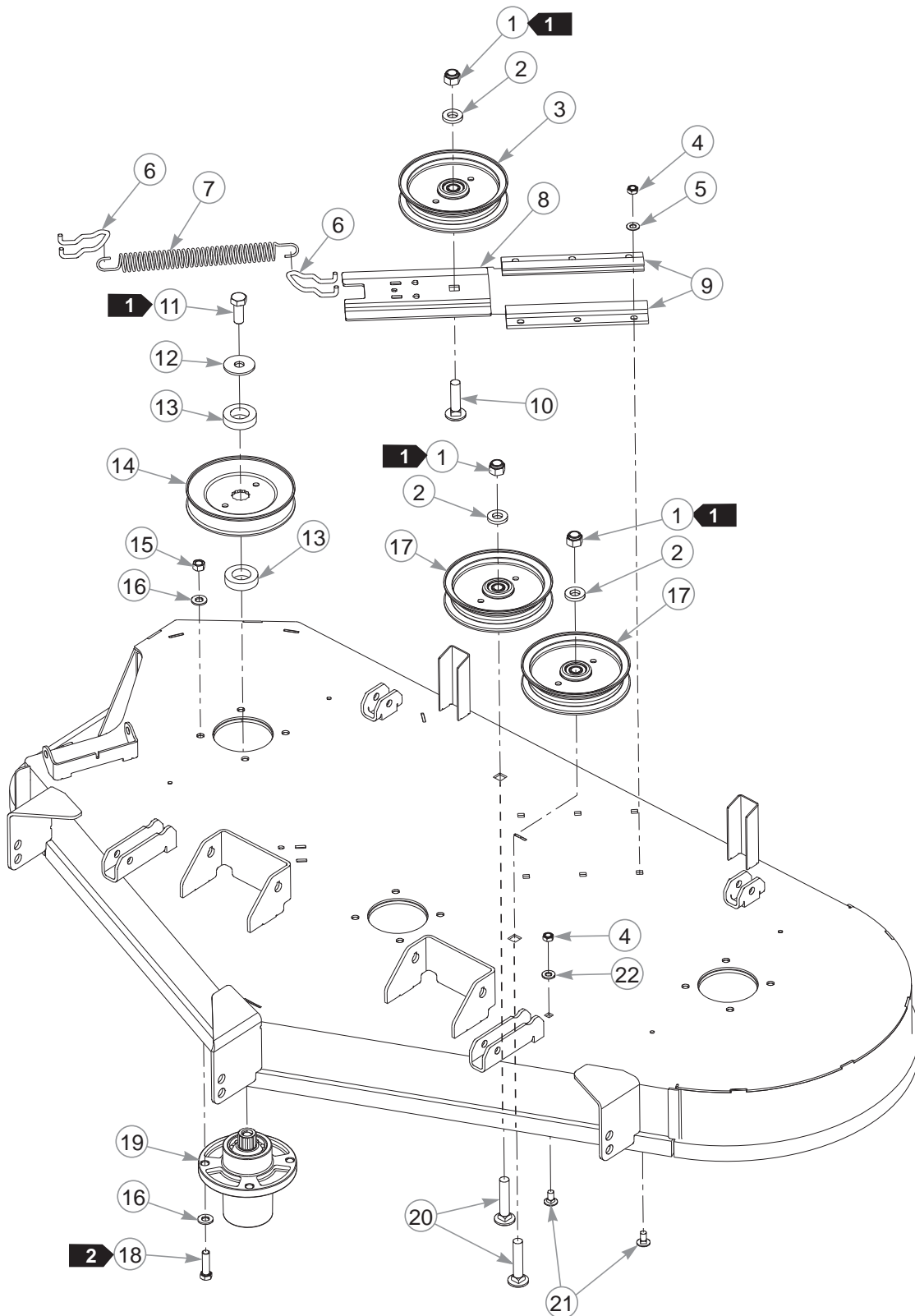
INDEX NO.	PART NO.	QTY.	DESCRIPTION
1	781567	3	NT .500-13 NL G5
2	767962	3	FW .531 X 1.063 X .175
3	604792	1	IDLER PULLEY, 5.00" O.D.
4	604251	8	NT .312-18 HX NL JAM G2 ZN
5	604252	6	FW .340 X .675 X .035 ZN
6	604110	2	SPRING TENSIONER ANCHOR
7	604291	1	IDLER SPRING
8	604791	1	IDLER SLED
9	604790	2	IDLER SLIDE
10	604253	1	CB .50-13 X 2.00 STD ZN
11	705954	3	CS .500-13 X 1.25 HS G5
12	798603	3	FW .515 X 1.65 X .125 HD ZY
13	604661	6	PULLEY SPACER
14	604664	3	PULLEY
15	054502	12	NT .375-16 HX G5 ZNY
16	767954	24	FW .379 X .813 X .063
17	604231	2	IDLER PULLEY, 5.00" O.D.
18	005116	12	CS .375-16 X 1.375 HX G5
19	601804	3	SPINDLE ASSEMBLY
20	604254	1	CB .50-13 X 2.50 STD ZN
21	083147	8	CB .312-18 X .620 G5 ZN
22	017129	2	FW .440 X 1.00 X .083 ZNY
23	344267	1	FW .510 X 2.15 X .187 SPL
24	721910	1	CS .500-13 X 2.75 HX G5 Z

---

### **NOTES:**

1. Torque to 73 ft-lbs.
2. Torque to 30 ft-lbs.

# 54" Deck Pulleys & Spindles—S/N Prior to 14074307





---

## **54" Deck Pulleys & Spindles—S/N Prior to 14074307**

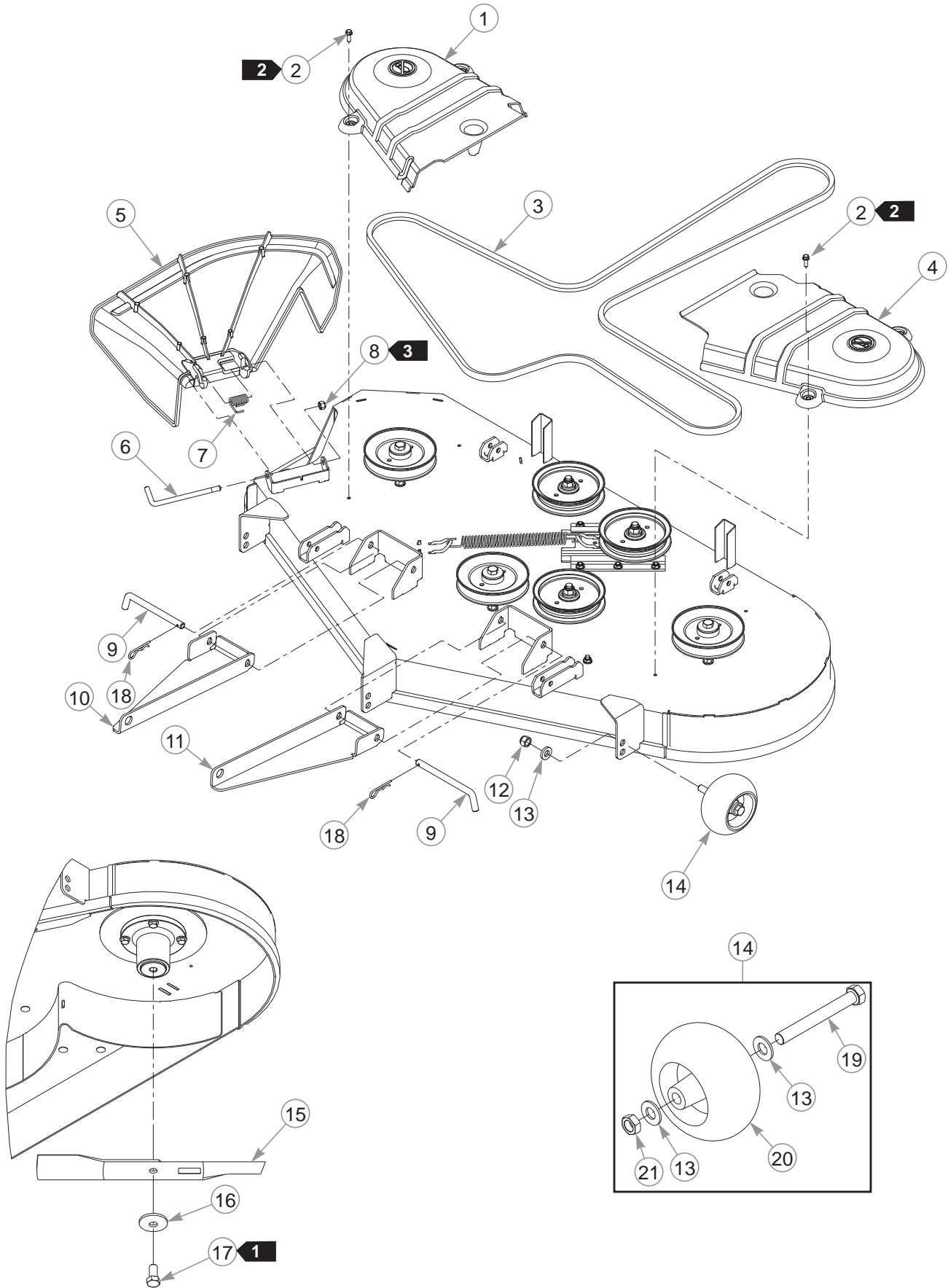
INDEX NO.	PART NO.	QTY.	DESCRIPTION
1	781567	3	NT .500-13 NL G5
2	767962	3	FW .531 X 1.063 X .175
3	604792	1	IDLER PULLEY, 5.00" O.D.
4	604251	8	NT .312-18 HX NL JAM G2 ZN
5	604252	6	FW .340 X .675 X .035 ZN
6	604110	2	SPRING TENSIONER ANCHOR
7	604291	1	IDLER SPRING
8	604791	1	IDLER SLED
9	604790	2	IDLER SLIDE
10	604253	1	CB .50-13 X 2.00 STD ZN
11	705954	3	CS .500-13 X 1.25 HS G5
12	798603	3	FW .515 X 1.65 X .125 HD ZY
13	604661	6	PULLEY SPACER
14	604664	3	PULLEY
15	054502	12	NT .375-16 HX G5 ZNY
16	767954	24	FW .379 X .813 X .063
17	604231	2	IDLER PULLEY, 5.00" O.D.
18	005116	12	CS .375-16 X 1.375 HX G5
19	601804	3	SPINDLE ASSEMBLY
20	604254	1	CB .50-13 X 2.50 STD ZN
21	083147	8	CB .312-18 X .620 G5 ZN
22	768523	2	FW .343 X .687 X .051/.080H

---

### **NOTES:**

1. Torque to 73 ft-lbs.
2. Torque to 30 ft-lbs.

# 54" Deck



---

## **54" Deck**

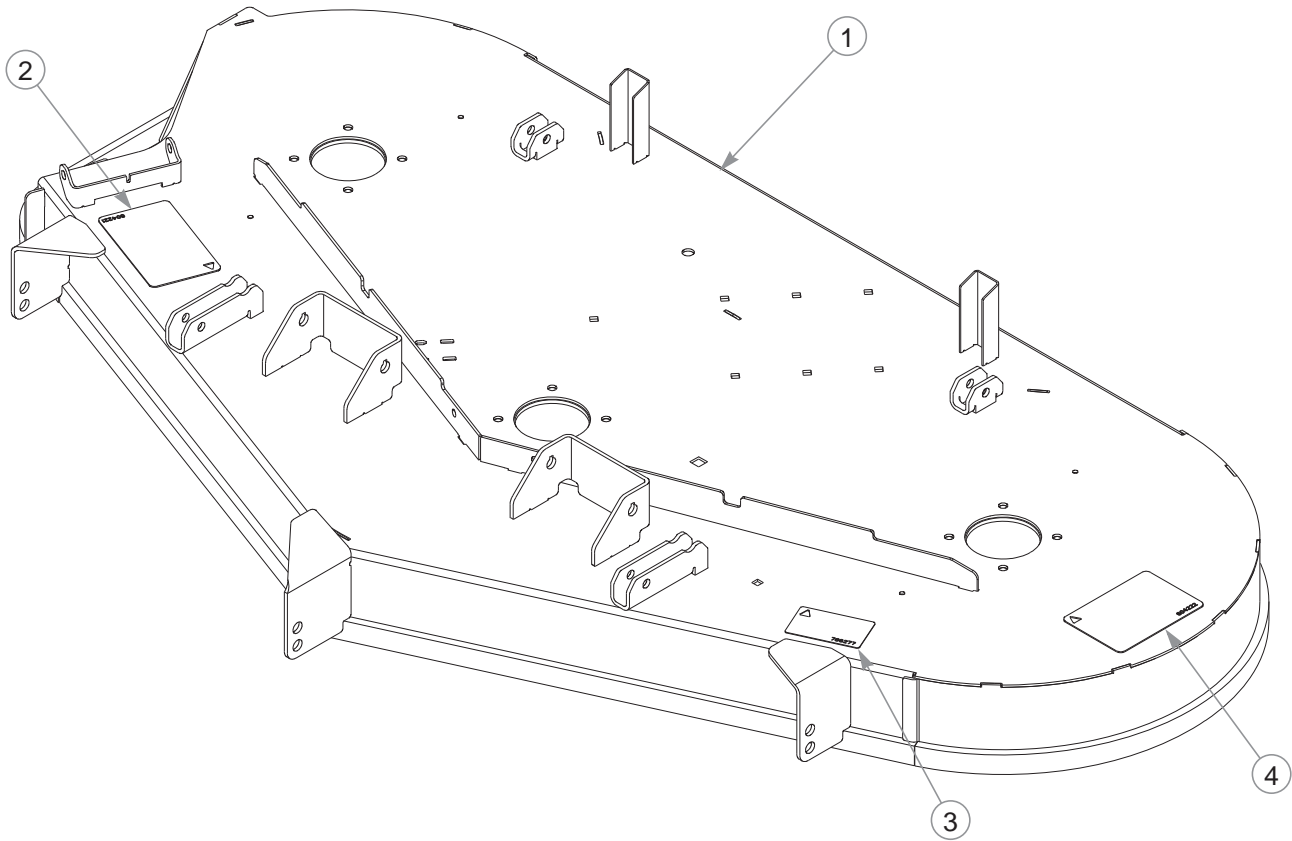
INDEX NO.	PART NO.	QTY.	DESCRIPTION
1	604722	1	RS PULLEY COVER
2	604324	4	CS .250-20 X .75 HX FLG
3	604817	1	BELT, B-SECTION
4	604723	1	LS PULLEY COVER
5	604609	1	DISCHARGE CHUTE
6	604346	1	DISCHARGE CHUTE PIN
7	604331	1	CHUTE SPRING
8	086660	1	NT .375-16 NL G5
9	604658	2	PULLER PIN
10	117877	1	RS PULLER
11	117878	1	LS PULLER
12	781567	3	NT .500-13 NL G5
13	767962	5	FW .531 X 1.063 X .175
14	788166	3	PLASTIC WHEEL ASSEMBLY
15	601124	3	BLADE, 18.50"-L-F-CW
	601012	3	BLADE, F18.50"-L-F-CW
	797696	3	BLADE, F18.50"-H-F-CW
	797704	3	BLADE, 18.50"-MUL-F-CW
	797712	3	BLADE, 18.50"-GAT-F-CW
16	782474	3	CW .631 X 2.25 X .187 PNT
17	781872	3	CS .625-11 X 1.25 HX G5 Z
18	017301	2	HP .125 X 2.375 ZN
19	781708	1	CS .500-13 X 4.25 HX G5
20	031997	1	PLASTIC WHEEL
21	053199	1	NT .500-13 HX JAM ZNYC

---

### **NOTES:**

1. Torque to 118 ft-lbs.
2. Torque to 8 ft-lbs on these 4 self-tapping screws.
3. Do not torque; the discharge chute must pivot freely.

# **60" Service Deck**



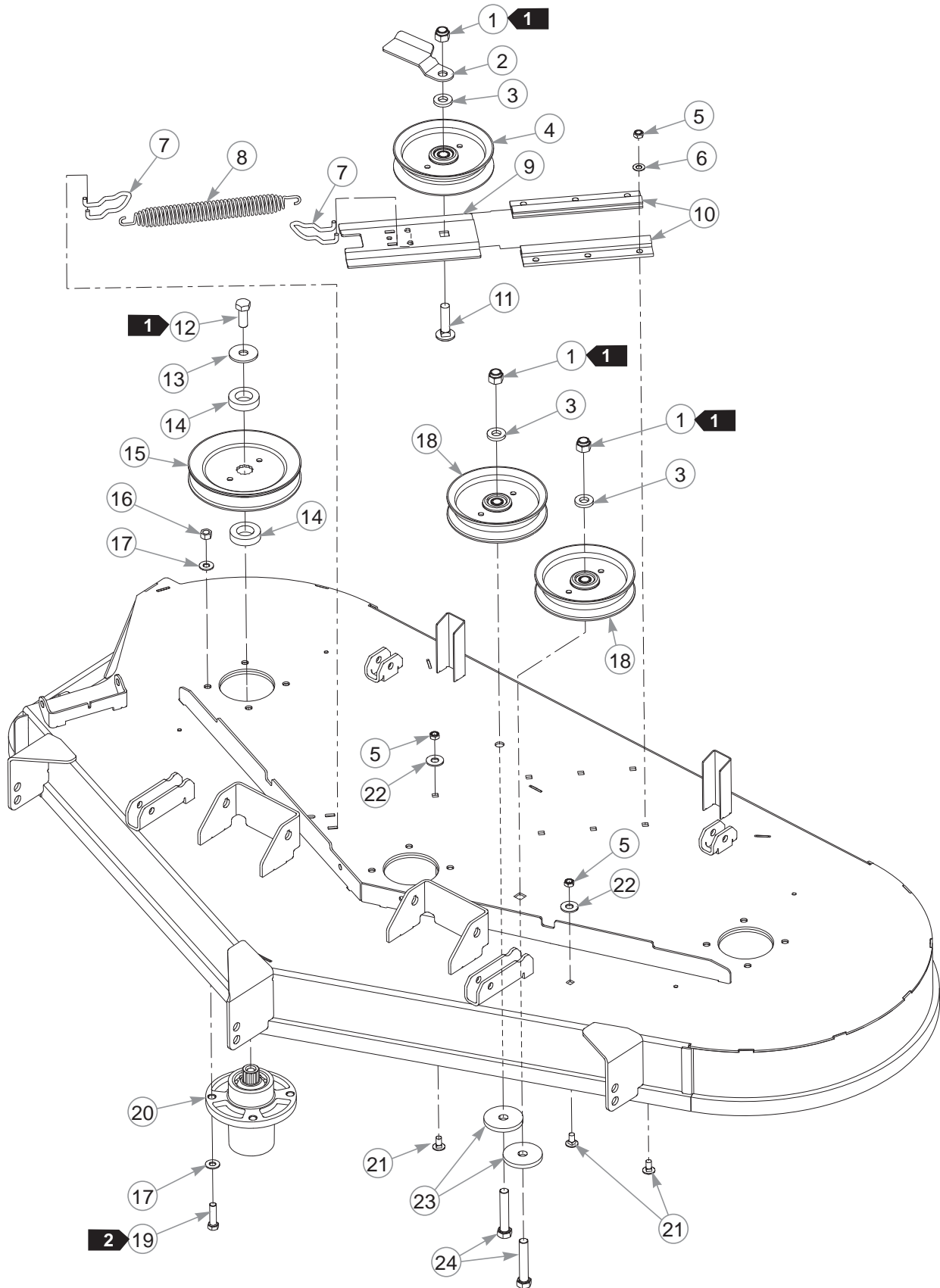
INDEX NO.	PART NO.	QTY.	DESCRIPTION
1	552359	1	60" DECK (WITH DECALS)
2	604221	1	DANGER/CHUTE DECAL
3	786277	1	60" DECK DECAL
4	604222	1	DANGER/OBJECTS DECAL

## **NOTES:**

---

**This page intentionally left blank.**

# 60" Deck Pulleys & Spindles—S/N 15010708 & Higher



---

## **60" Deck Pulleys & Spindles—S/N 15010708 & Higher**

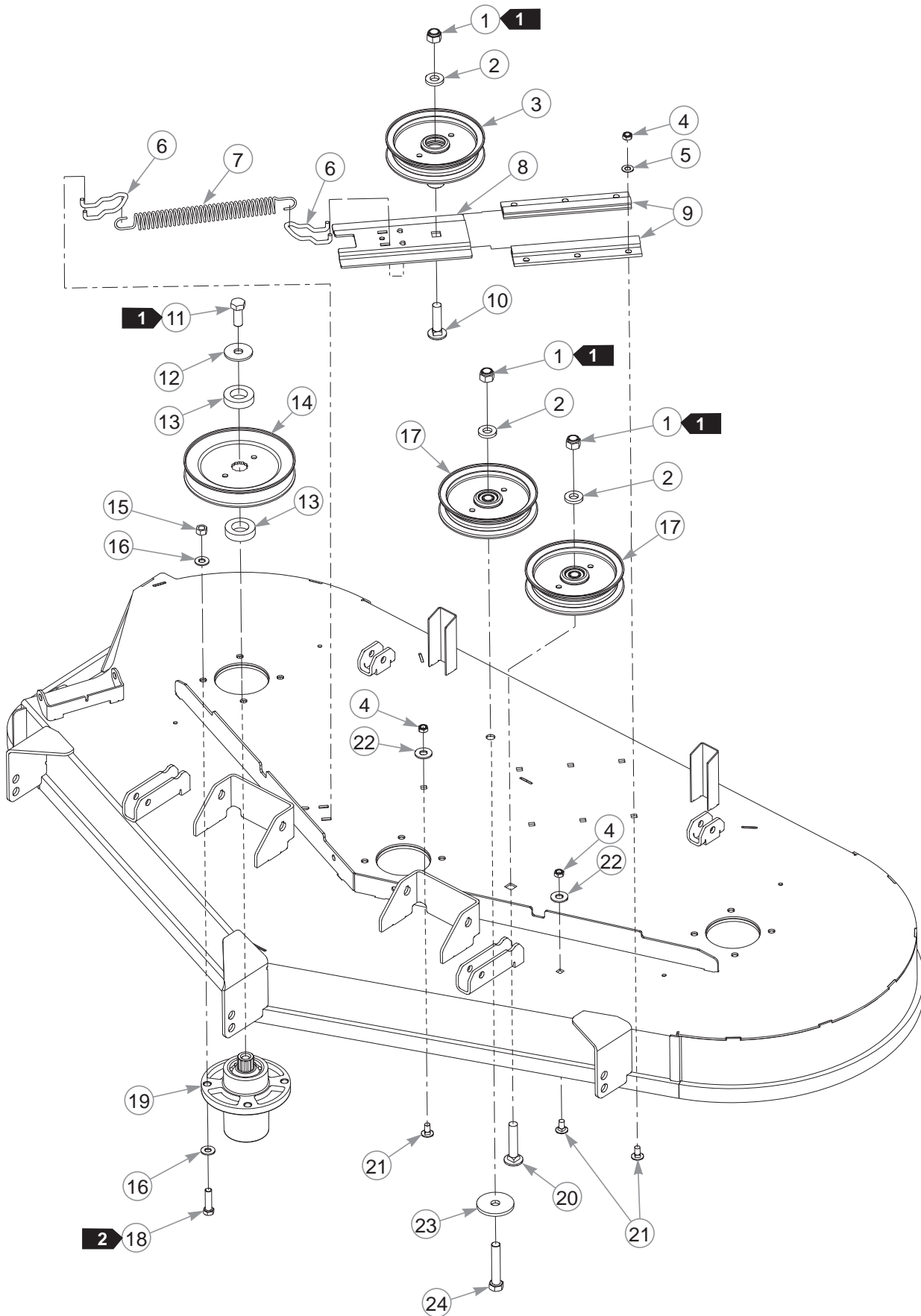
INDEX NO.	PART NO.	QTY.	DESCRIPTION
1	781567	3	NT .500-13 HX G8 ZY NL
2	121780	1	BELT GUIDE
3	767962	3	FW .531 X 1.063 X .175
4	604792	1	IDLER PULLEY, 5.00" O.D.
5	604251	8	NT .312-18 HX NL JAM G2 ZN
6	604252	6	FW .340 X .675 X .035 ZN
7	604110	2	SPRING TENSIONER ANCHOR
8	122388	1	IDLER SPRING
9	604791	1	IDLER SLED
10	604790	2	IDLER SLIDE
11	604253	1	CB .50-13 X 2.00 STD ZN
12	705954	3	CS .500-13 X 1.25 HX G5
13	798603	3	FW .515 X 1.65 X .125 HD ZY
14	604661	6	PULLEY SPACER
15	604704	3	PULLEY
16	054502	12	NT .375-16 HX G5 ZNY
17	767954	24	FW .379 X .813 X .063
18	604231	2	IDLER PULLEY, 5.00" O.D.
19	005116	12	CS .375-16 X 1.375 HX G5
20	601804	3	SPINDLE ASSEMBLY
21	083147	8	CB .312-18 X .620 G5 ZN
22	017129	2	FW .440 X 1.00 X .083 ZNY
23	605516	2	FW .531 X 2.00 X .25
24	721910	2	CS .500-13 X 2.75 HX G5 Z

---

### **NOTES:**

1. Torque to 73 ft-lbs.
2. Torque to 30 ft-lbs.

# 60" Deck Pulleys & Spindles—S/N 14074367–15010707





---

## **60" Deck Pulleys & Spindles—S/N 14074367–15010707**

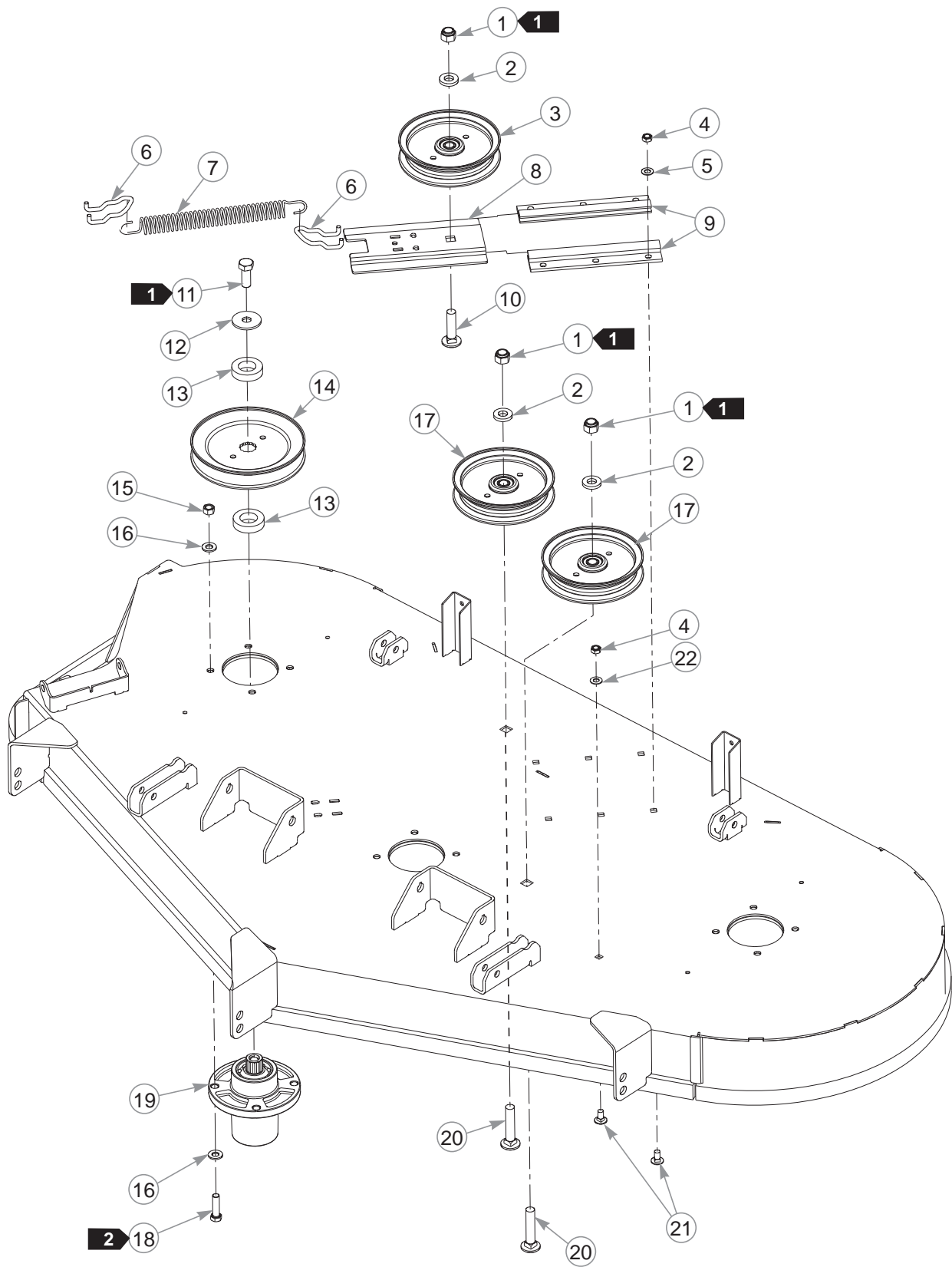
INDEX NO.	PART NO.	QTY.	DESCRIPTION
1	781567	3	NT .500-13 NL G5
2	767962	3	FW .531 X 1.063 X .175
3	604792	1	IDLER PULLEY, 5.00" O.D.
4	604251	8	NT .312-18 HX NL JAM G2 ZN
5	604252	6	FW .340 X .675 X .035 ZN
6	604110	2	SPRING TENSIONER ANCHOR
7	604291	1	IDLER SPRING
8	604791	1	IDLER SLED
9	604790	2	IDLER SLIDE
10	604253	1	CB .50-13 X 2.00 STD ZN
11	705954	3	CS .500-13 X 1.25 HS G5
12	798603	3	FW .515 X 1.65 X .125 HD ZY
13	604661	6	PULLEY SPACER
14	604704	3	PULLEY
15	054502	12	NT .375-16 HX G5 ZNY
16	767954	24	FW .379 X .813 X .063
17	604231	2	IDLER PULLEY, 5.00" O.D.
18	005116	12	CS .375-16 X 1.375 HX G5
19	601804	3	SPINDLE ASSEMBLY
20	604254	1	CB .50-13 X 2.50 STD ZN
21	083147	8	CB .312-18 X .620 G5 ZN
22	017129	2	FW .440 X 1.00 X .083 ZNY
23	344267	1	FW .510 X 2.15 X .187 SPL
24	721910	1	CS .500-13 X 2.75 HX G5 Z

---

### **NOTES:**

1. Torque to 73 ft-lbs.
2. Torque to 30 ft-lbs.

# 60" Deck Pulleys & Spindles—S/N Prior to 14074367



---

## **60" Deck Pulleys & Spindles—S/N Prior to 14074367**

INDEX NO.	PART NO.	QTY.	DESCRIPTION
1	781567	3	NT .500-13 NL G5
2	767962	3	FW .531 X 1.063 X .175
3	604792	1	IDLER PULLEY, 5.00" O.D.
4	604251	7	NT .312-18 HX NL JAM G2 ZN
5	604252	6	FW .340 X .675 X .035 ZN
6	604110	2	SPRING TENSIONER ANCHOR
7	604291	1	IDLER SPRING
8	604791	1	IDLER SLED
9	604790	2	IDLER SLIDE
10	604253	1	CB .50-13 X 2.00 STD ZN
11	705954	3	CS .500-13 X 1.25 HS G5
12	798603	3	FW .515 X 1.65 X .125 HD ZY
13	604661	6	PULLEY SPACER
14	604704	3	PULLEY
15	054502	12	NT .375-16 HX G5 ZNY
16	767954	24	FW .379 X .813 X .063
17	604231	2	IDLER PULLEY, 5.00" O.D.
18	005116	12	CS .375-16 X 1.375 HX G5
19	601804	3	SPINDLE ASSEMBLY
20	604254	2	CB .50-13 X 2.50 STD ZN
21	083147	7	CB .312-18 X .620 G5 ZN
22	768523	1	FW .343 X .687 X .051/.080H

---

### **NOTES:**

1. Torque to 73 ft-lbs.
2. Torque to 30 ft-lbs.



---

## **60" Deck**

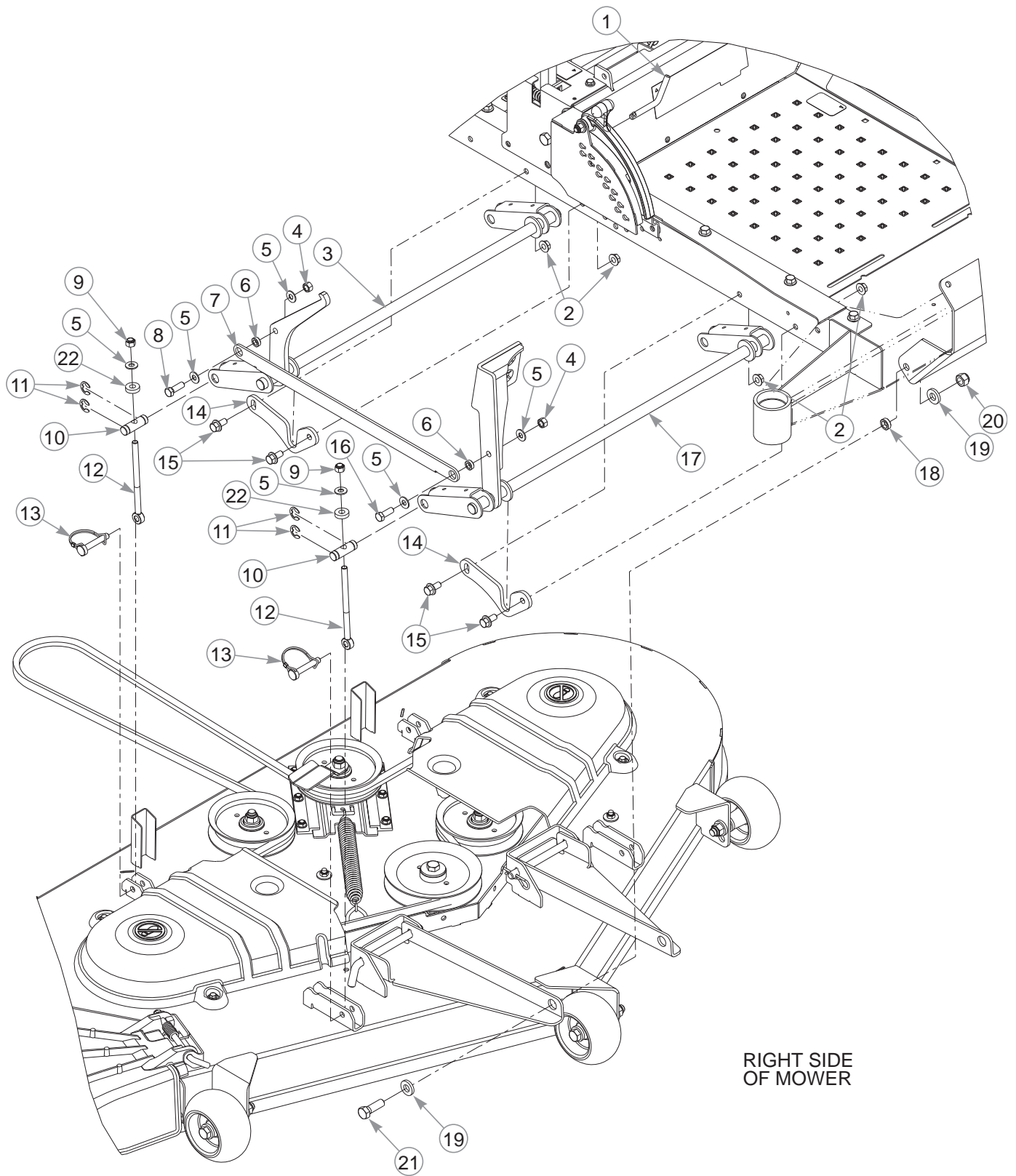
INDEX NO.	PART NO.	QTY.	DESCRIPTION
1	604722	1	RS PULLEY COVER
2	604324	4	CS .250-20 X .75 HX FLG
3	604711	1	BELT, B-SECTION
4	604723	1	LS PULLEY COVER
5	604609	1	DISCHARGE CHUTE
6	604346	1	DISCHARGE CHUTE PIN
7	604331	1	CHUTE SPRING
8	086660	1	NT .375-16 NL G5
9	604658	2	PULLER PIN
10	117877	1	RS PULLER
11	117878	1	LS PULLER
12	781567	3	NT .500-13 NL G5
13	767962	5	FW .531 X 1.063 X .175
14	788166	3	PLASTIC WHEEL ASSEMBLY
15	793794	3	BLADE, 20.50"-L-F-CW
	600901	3	BLADE, F20.50"-L-F-CW
	793935	3	BLADE, 20.50"-CAT-F-CW
	794214	3	BLADE, 20.50"-MUL-F-CW
	794230	3	BLADE, 20.50"-GAT-F-CW
	794685	3	BLADE, F20.50"-H-F-CW
16	782474	3	CW .631 X 2.25 X .187 PNT
17	781872	3	CS .625-11 X 1.25 HX G5 Z
18	017301	2	HP .125 X 2.375 ZN
19	781708	1	CS .500-13 X 4.25 HX G5
20	031997	1	PLASTIC WHEEL
21	053199	1	NT .500-13 HX JAM ZNYC

---

### **NOTES:**

1. Torque to 118 ft-lbs.
2. Torque to 8 ft-lbs on these 4 self-tapping screws.
3. Do not torque; the discharge chute must pivot freely.

# **Deck Mounting Hardware**



---

## **Deck Mounting Hardware**

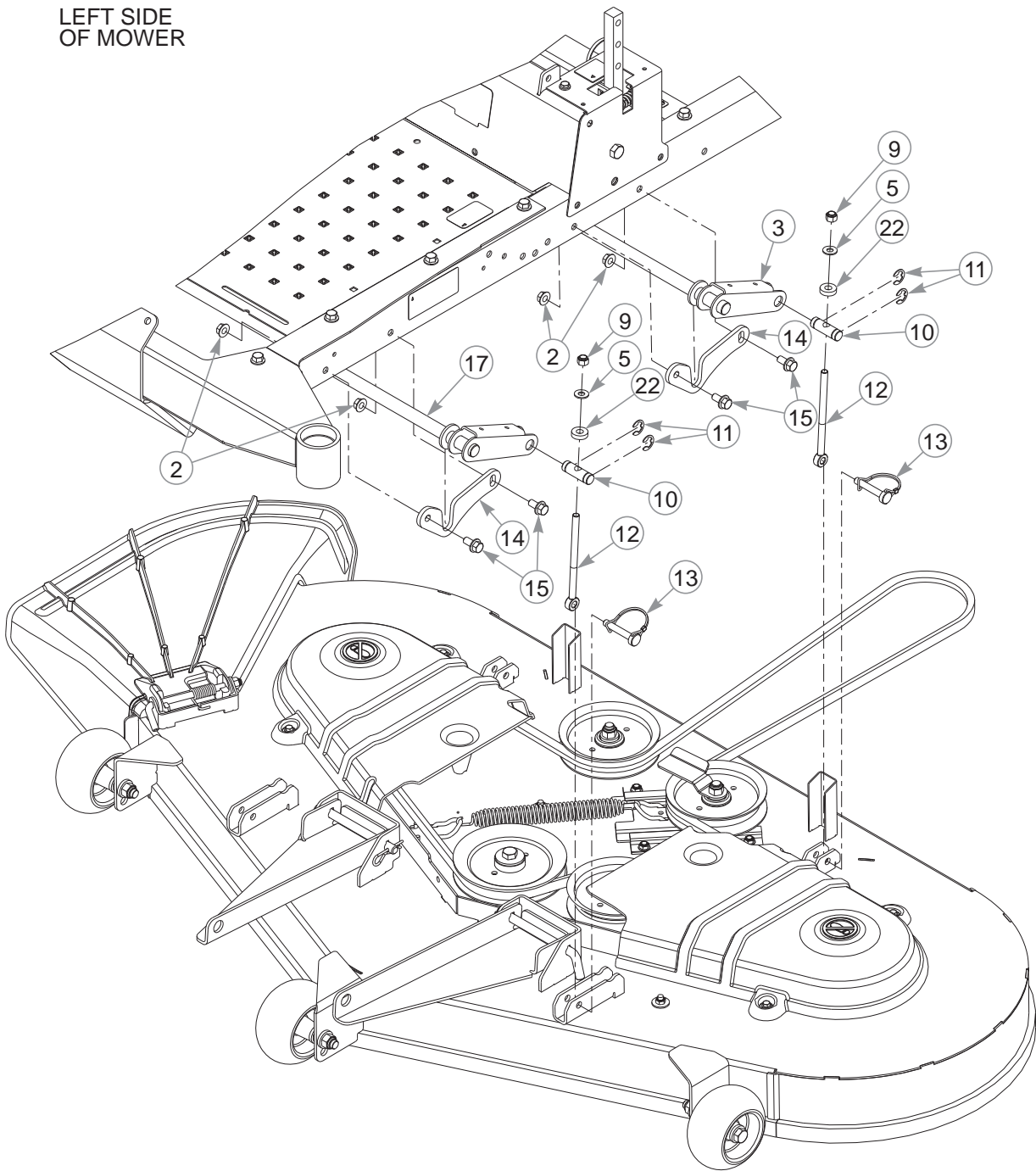
INDEX NO.	PART NO.	QTY.	DESCRIPTION
1	118020	1	INDICATOR PIN
2	016899	8	NT .375-16 HX G5 FLK
3	190168	1	REAR DECK LIFT BAR
4	054502	2	NT .375-16 HX G5 ZNY
5	767954	8	FW .379 X .813 X .063
6	601839	2	PIVOT SPACER BUSHING
7	118016	1	LIFT PEDAL LINK
8	005132	1	CS .375-16 X 1.12 HX G5 Z
9	086660	4	NT .375-16 HX G5 NL
10	118018	4	PIVOT
11	791673	8	E CLIP .625 X .480 X .042 Z
12	604579	4	DECK LIFT LINK
13	604803	4	CE .375 X 2.00 W/BALE
14	116151	4	PIVOT BLOCK
15	029629	8	CS .375-16 X .75 HX FLK
16	036244	1	CS .375-16 X 1.00 HX G5
17	190167	1	FRONT DECK LIFT BAR
18	604656	2	PIVOT SPACER BUSHING
19	767962	4	FW .531 X 1.063 X .175
20	781567	2	NT .500-13 HX G8 ZY NL
21	074252	2	CS .500-13 X 1.50 HX G5
22	605114	4	FW .41 X .94 X .25 UHMW

---

### **NOTES:**

# Deck Mounting Hardware

LEFT SIDE  
OF MOWER



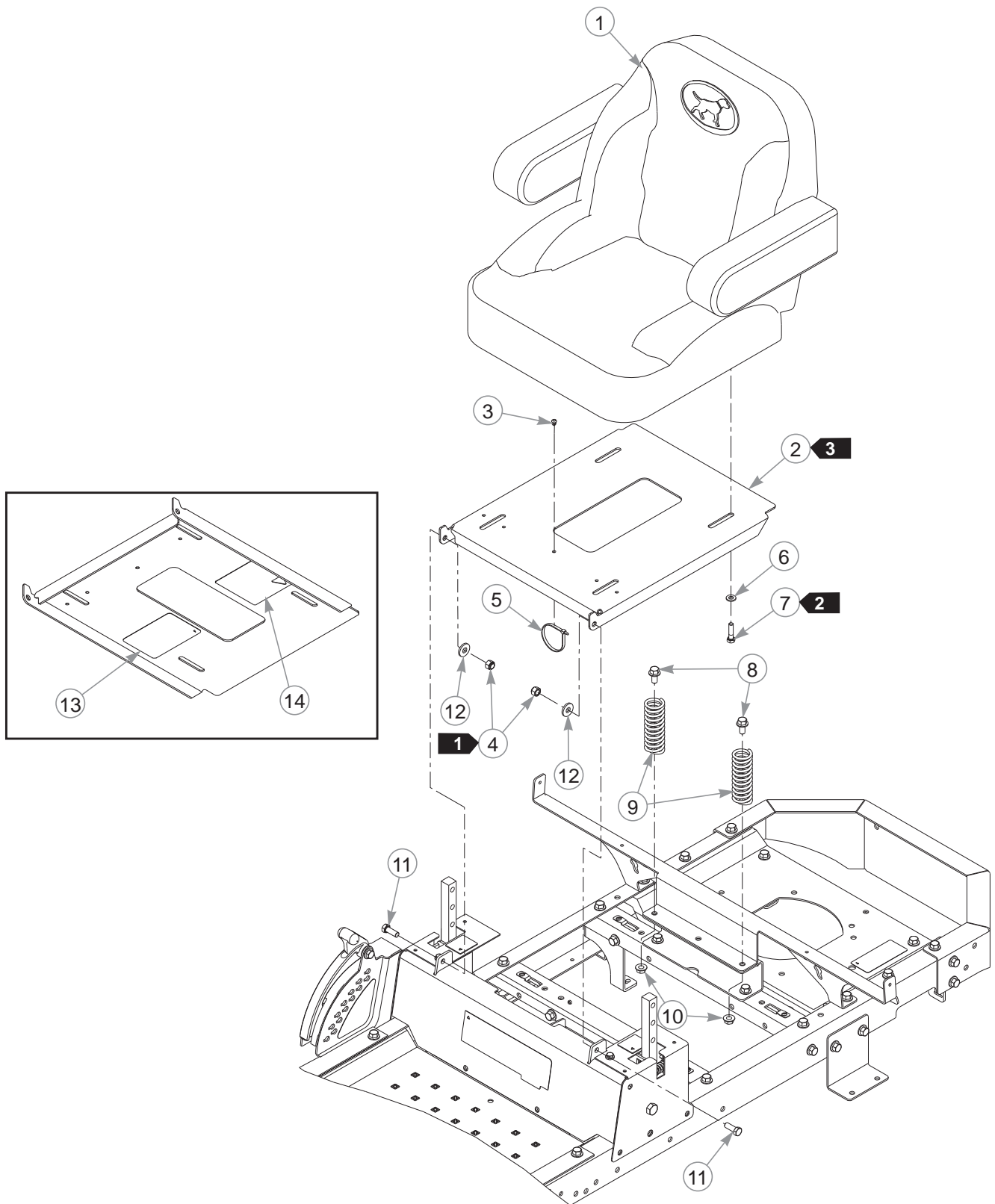


---

## Section 7

Seat, Seat King . . . . .	7-2
Seat, Seats Inc.—with Fan . . . . .	7-4

# Seat, Seat King



---

## **Seat, Seat King**

INDEX NO.	PART NO.	QTY.	DESCRIPTION
1	605009	1	SEAT, SEAT KING
2	552752	1	SEAT PAN (WITH DECAL)
3	604307	1	PUSH BUTTON MOUNT
4	086660	2	NT .375-16 HX G5 NL
5	000331	1	WIRE TIE
6	768523	4	FW .343 X .687 X .051/.080H
7	079186	4	CS .312-18 X 1.25 HX G5
8	029629	2	CS .375-16 X .75 HX FLK
9	793851	2	COMPRESSION SPRING 1.25 X 4.00 X .188
10	016899	2	NT .375-16 HX G5 FLK
11	036244	2	CS .375-16 X 1.00 HX G5
12	712919	2	FW .406 X 1.00 X .12 HRD Z
13	601815	1	BATTERY WARNINGS DECAL
14	781419	1	BELT ROUTING DECAL

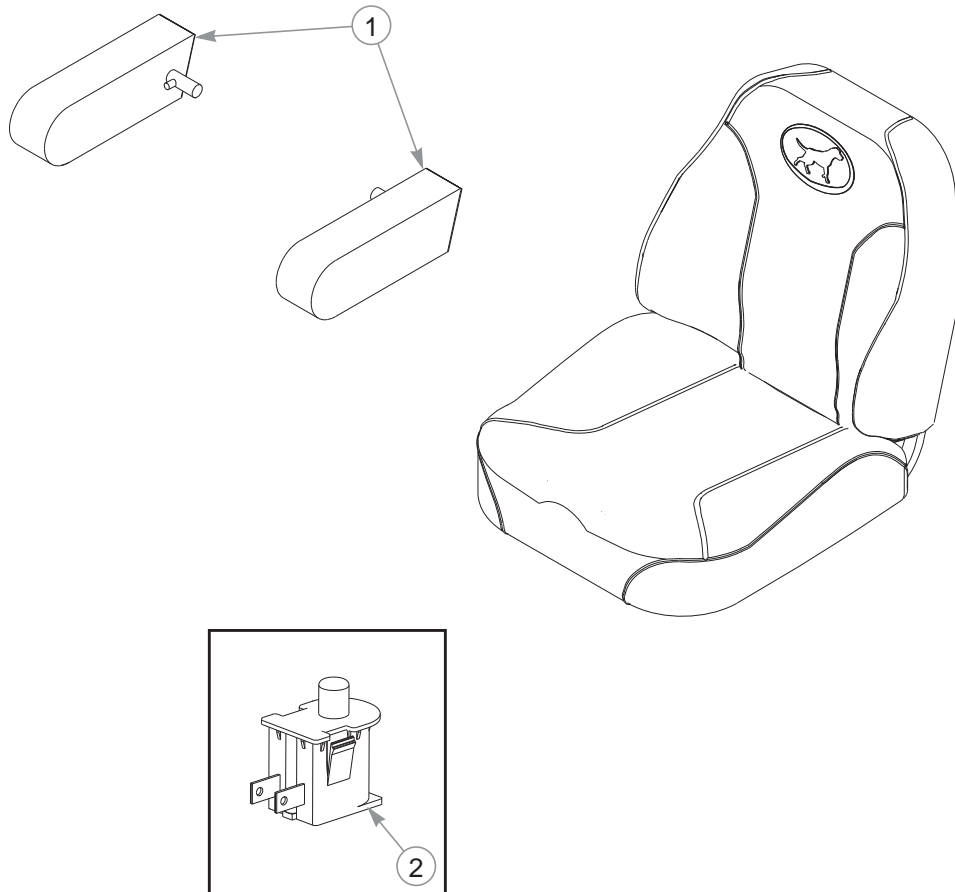
---

### **NOTES:**

1. Do not torque; the seat pan must pivot freely.
2. Torque to 7 ft-lbs.
3. When replacing the seat pan, order (2) washers, 712919.

---

## **Seat Service Parts—Seat King**



---

INDEX NO.	PART NO.	QTY.	DESCRIPTION
1	119783	1	ARMREST KIT
2	793315	1	SEAT SWITCH

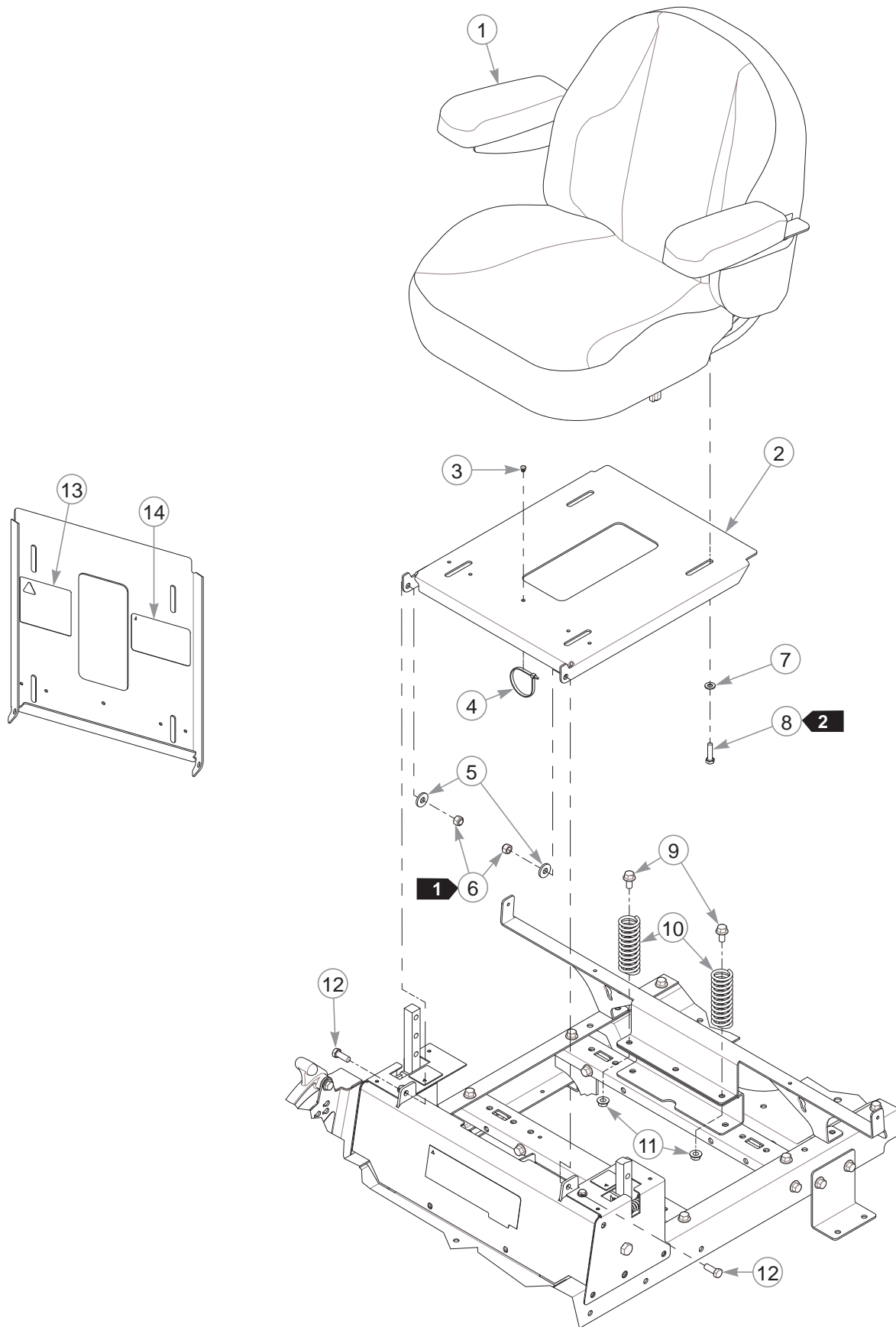
---

### **NOTES:**

---

**This page intentionally left blank.**

# Seat, Seats Inc.—with Fan



---

## **Seat, Seats Inc.—with Fan**

INDEX NO.	PART NO.	QTY.	DESCRIPTION
1	606580	1	SEAT
2	552752	1	SEAT PAN (WITH DECALS)
3	604307	1	PUSH BUTTON MOUNT
4	000331	4	WIRE TIE
5	712919	2	FW .406 X 1.00 X .12 HRD Z
6	086660	2	NT .375-16 HX G5 NL
7	768523	4	FW .343 X .687 X .051/.080H
8	079186	4	CAP SCREW
9	029629	2	CS .375-16 X .75 HX FLK
10	793851	2	COMPRESSION SPRING 1.25 X 4.00 X .188
11	016899	2	NT .375-16 FLK G5
12	036244	2	CS .375-16 X 1.00 HX G5
13	781419	1	BELT ROUTING DECAL
14	601815	1	BATTERY WARNINGS DECAL
15	606578	1	SEAT FAN WIRE HARNESS

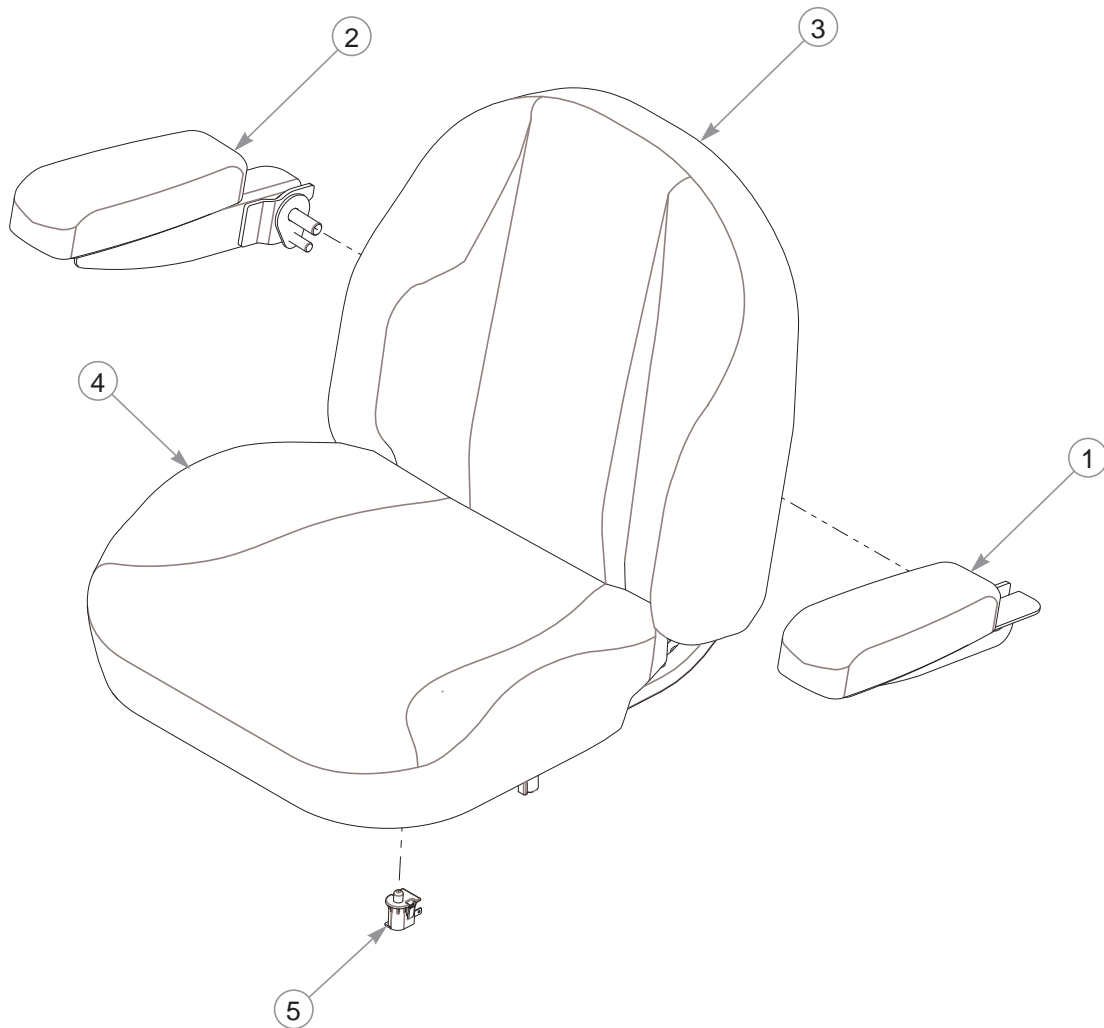
---

### **NOTES:**

1. Do not torque; the seat pan must pivot freely.
2. Torque to 7 ft-lbs.

---

## **Seat Service Parts—Seats Inc.**



---

INDEX NO.	PART NO.	QTY.	DESCRIPTION
1	606555	1	LS ARMREST KIT
2	606556	1	RS ARMREST KIT
3	606560	1	BACK COVER
4	606561	1	SEAT COVER
5	603535	1	SEAT SWITCH
6	606554	1	FAN KIT (NOT SHOWN)

---

### **NOTES:**