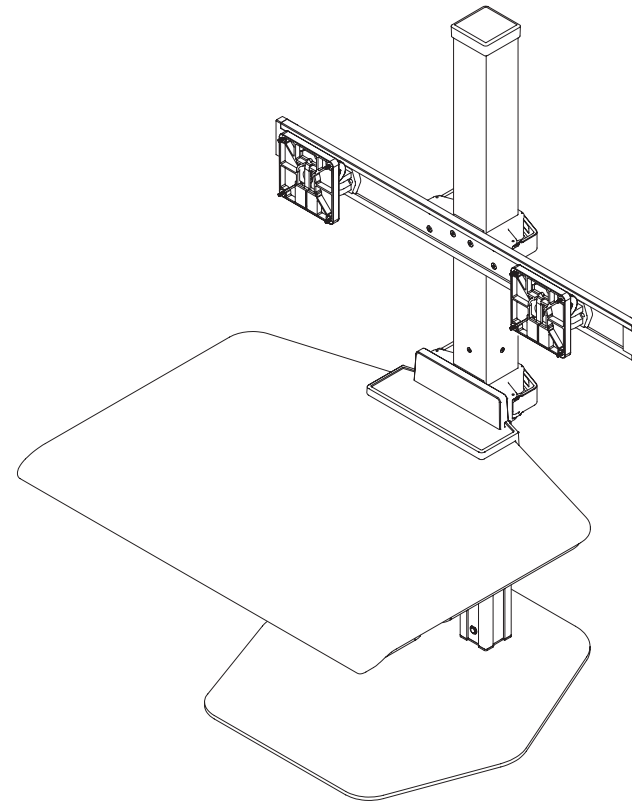


WNST-1



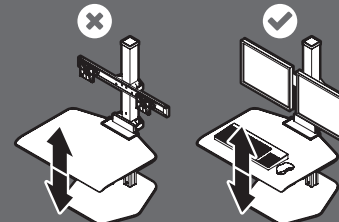
WNST-2

Human Active Technology
800 524 2744
customerservice@team-hat.com
team-hat.com



CAUTION:

Mechanism can rise quickly with no equipment in place. User equipment must be properly installed, prior to height adjustment. Failure to do so may result in personal injury and/or property damage.



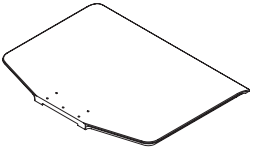
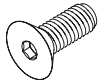
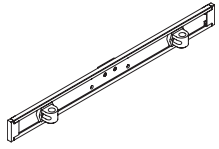
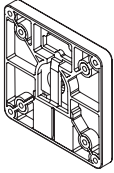

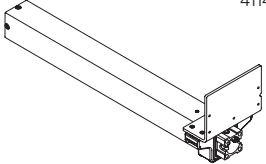
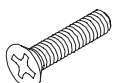
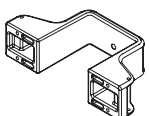


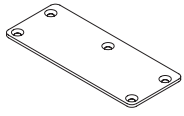

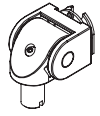

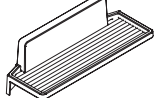

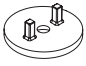
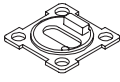
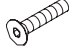


NOTE:

Depending on your Winston Workstation® configuration, you may not receive all the parts shown within this instruction booklet.

Installation may require two people.

PARTS LIST

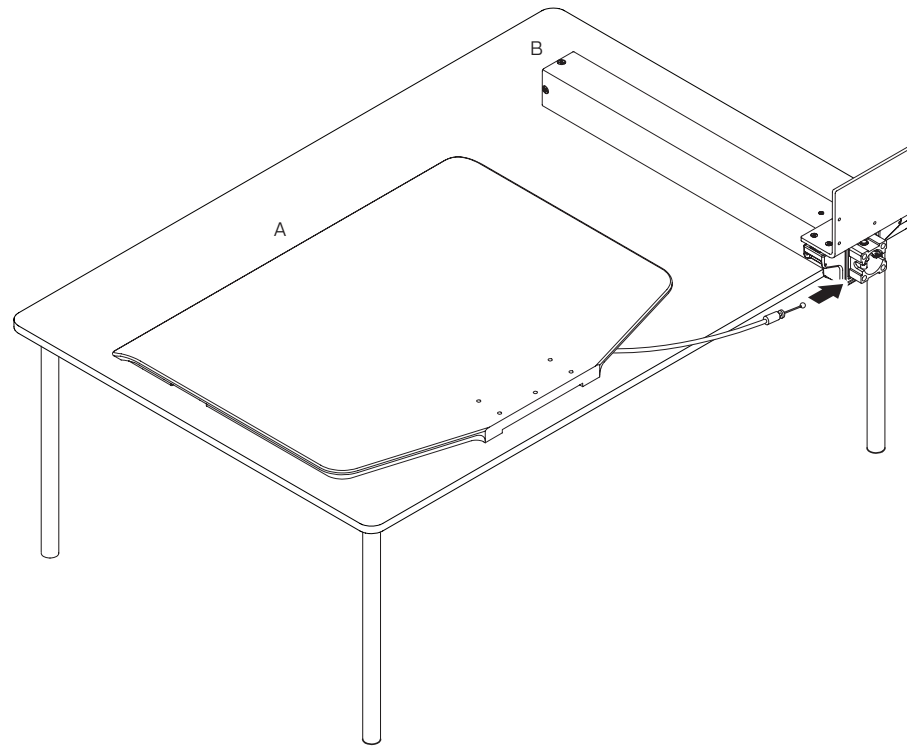
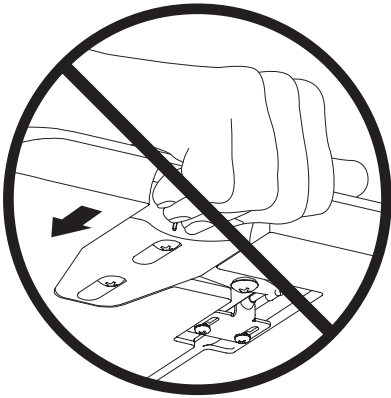
Depending on your Winston Workstation configuration, you may not receive all parts shown below.

<p>A Worksurface 111435</p> 	<p>F 3/8-16 x 1" FHSCS 701124</p> 	<p>K Beam (10" or 30") 412036 or 412037</p> 	<p>P Quick Connect VESA Plate 114808</p> 	<p>U Column Cable Clip 111203-708</p> 
<p>B Column 411470</p> 	<p>G Screws 713273</p> 	<p>L Column Clamp 111040</p> 	<p>Q M4 x 12mm Phillips Pan Head Screw 701153</p> 	
<p>C Felt Pad 111464</p> 	<p>H Top Plate 111736</p> 	<p>M 1/8" Allen Wrench 701312</p> 	<p>R Monitor Tilter 8500 Tilter</p> 	
<p>D Freestanding Base 111248</p> 	<p>I Utility Tray 113025</p> 	<p>N 7/32" Allen Wrench 701127</p> 	<p>S Dog Washer 111230-603</p> 	
<p>E Cable Retainer 111735</p> 	<p>J 10-32 x 1" FHSCS 711467</p> 	<p>O Column Cap 111275-708</p> 	<p>T 10-32 x 1/2" FHSCS 711240</p> 	

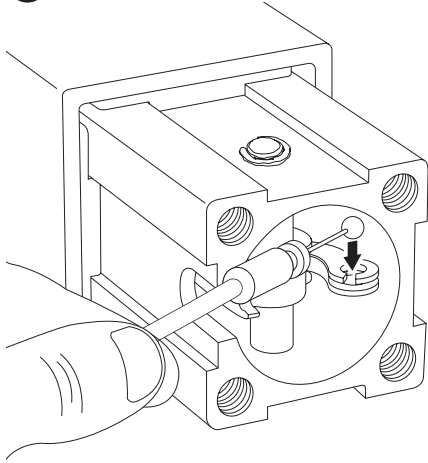
1

IMPORTANT: Do not pull excessively on cable - doing so may result in accidental actuation of column.

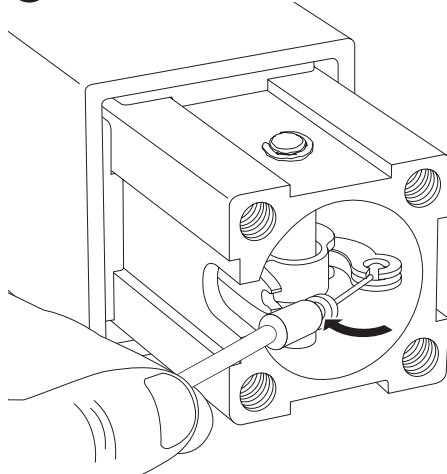
CAUTION: Do not press height adjust button until unit is fully assembled.



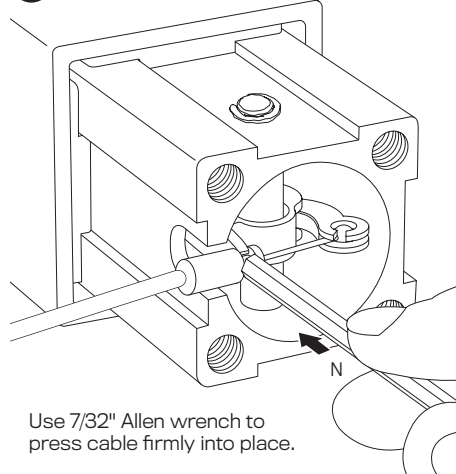
1a



1b

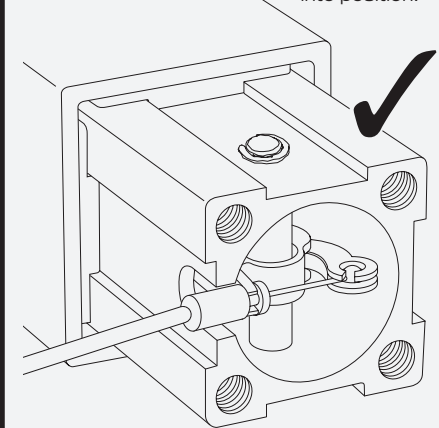


1c



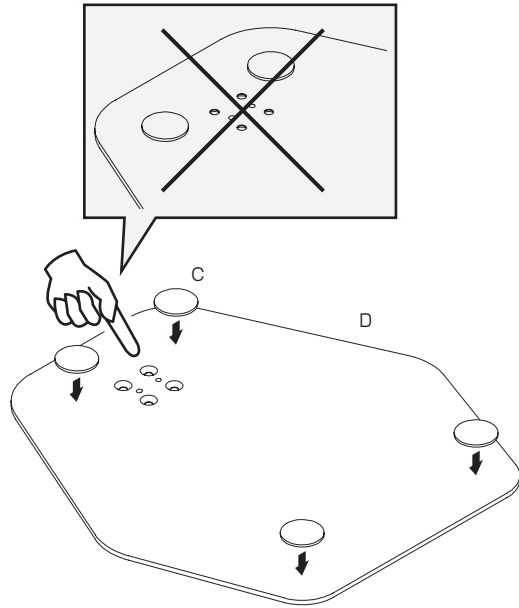
Use 7/32" Allen wrench to press cable firmly into place.

i



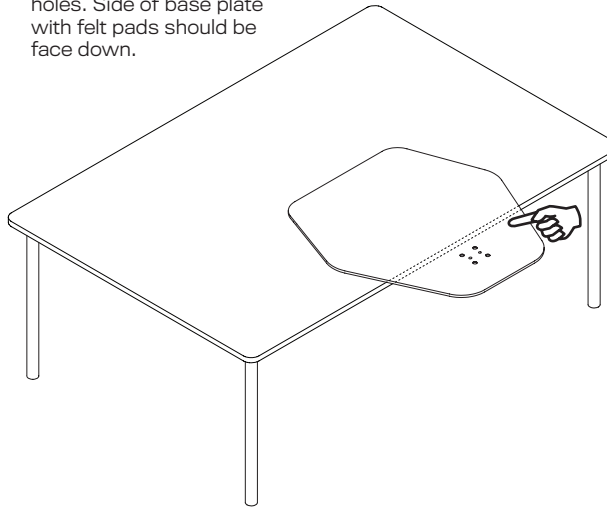
Confirm cable is properly seated into position.

2



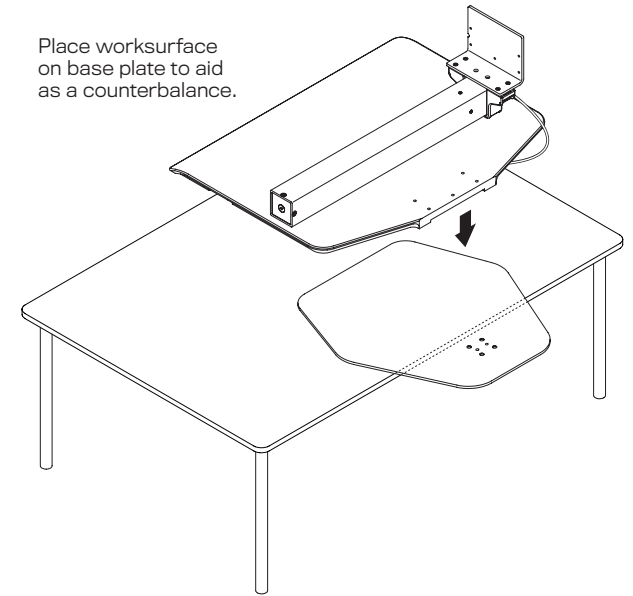
3

Hang base plate over edge of work surface to allow access to countersunk holes. Side of base plate with felt pads should be face down.

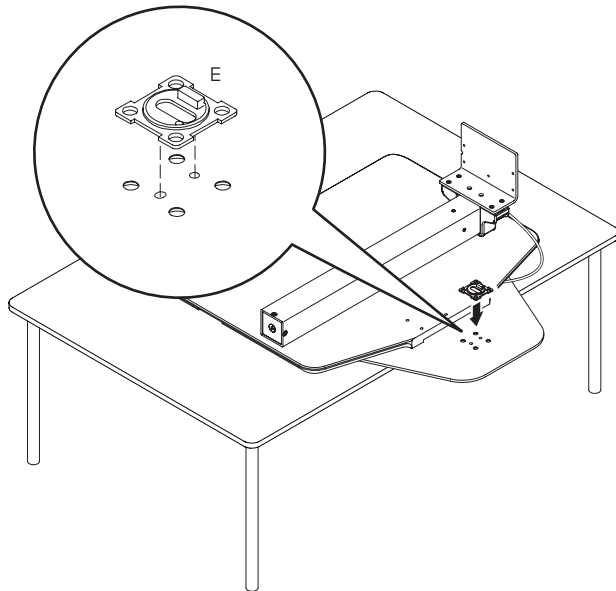


4

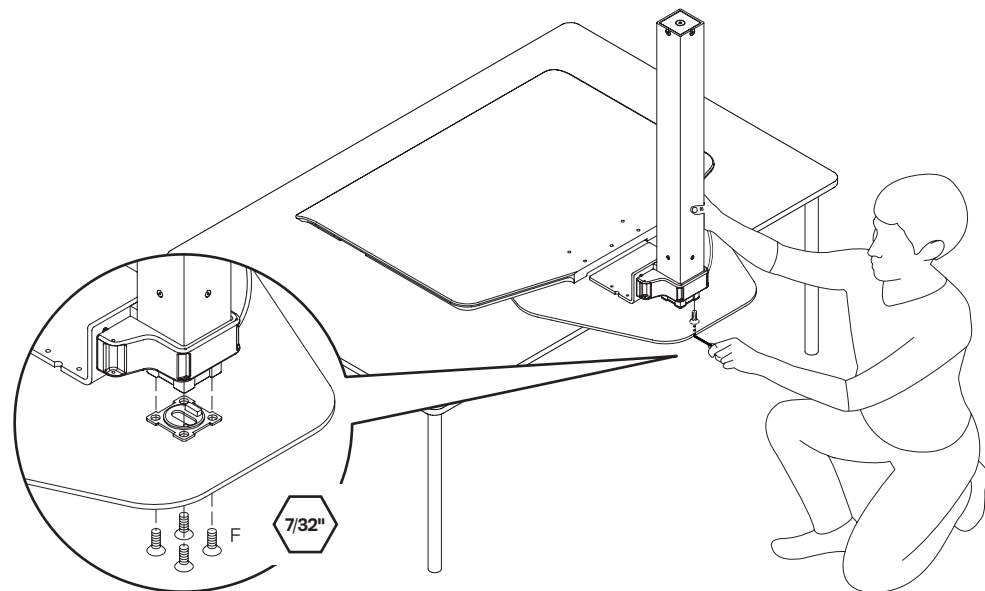
Place work surface on base plate to aid as a counterbalance.



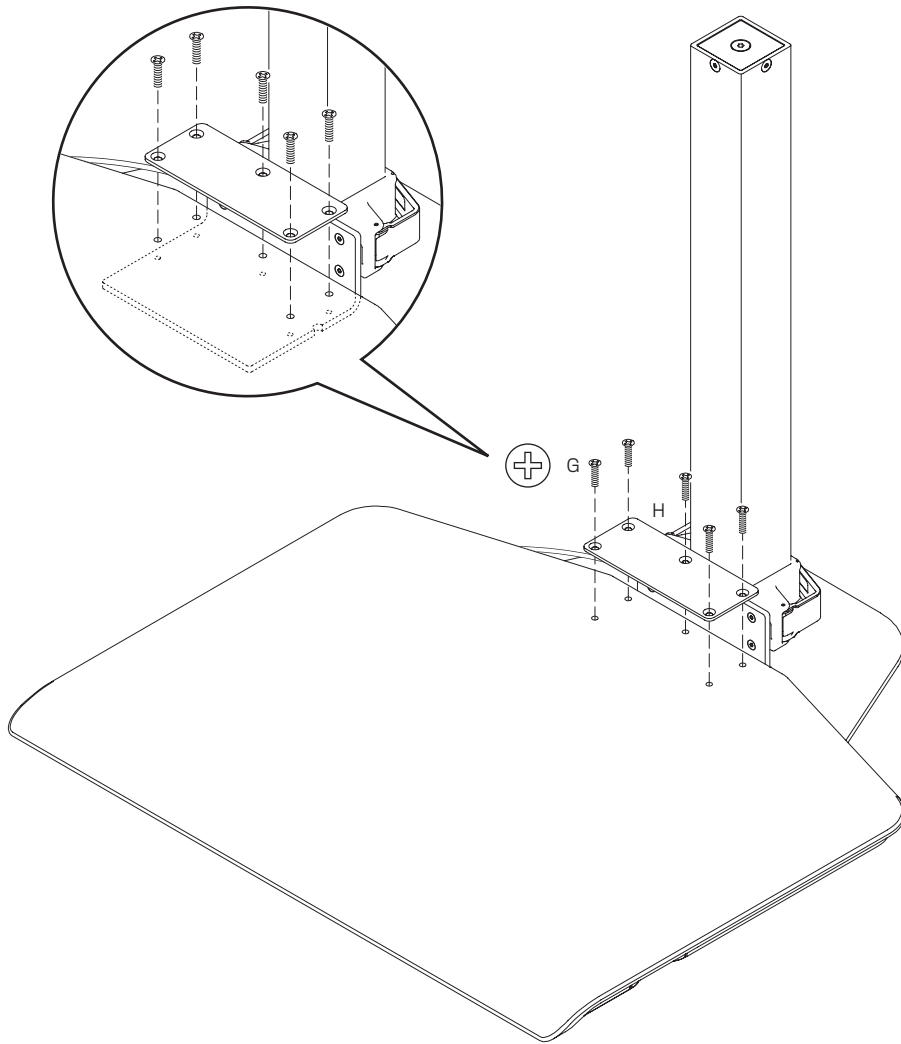
5



6

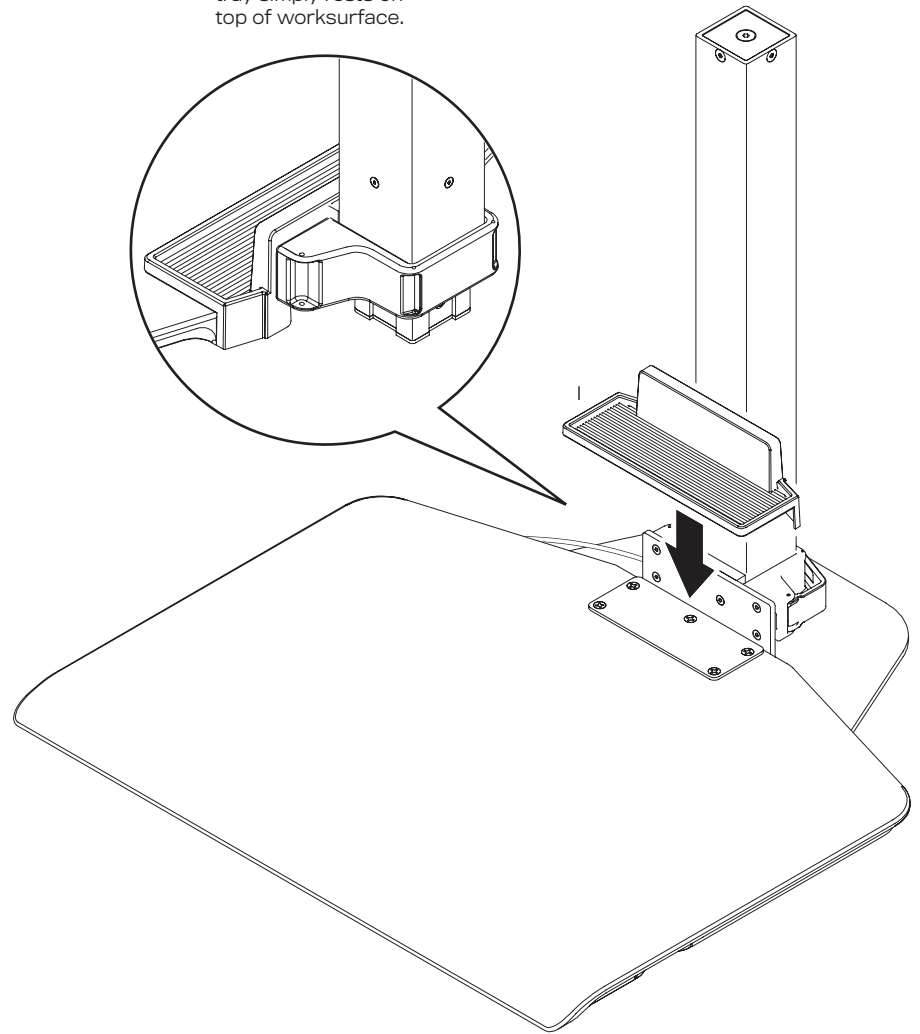


7

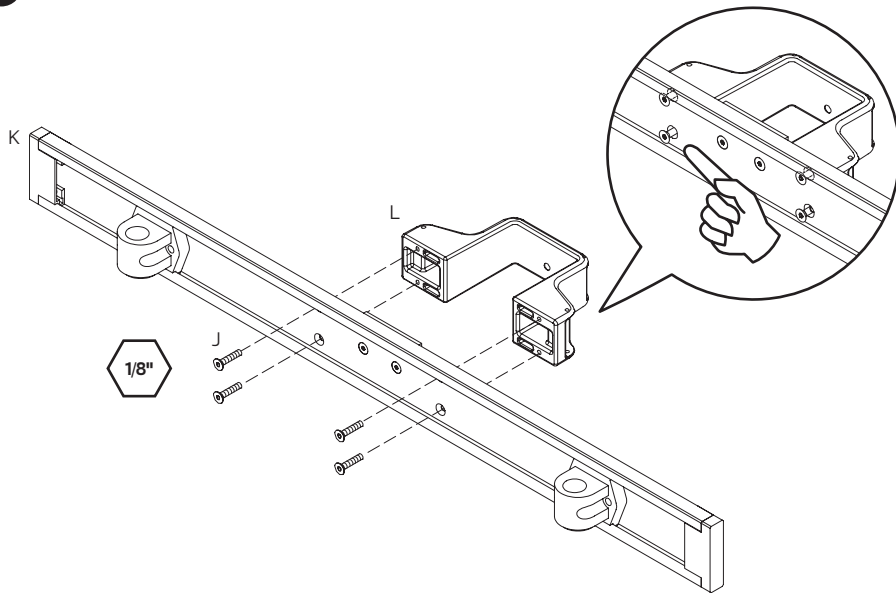


8

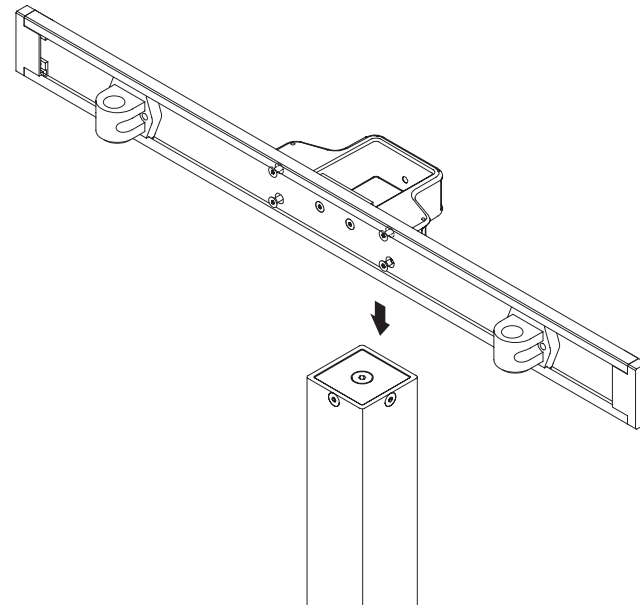
Slide utility tray onto worksurface. Utility tray simply rests on top of worksurface.



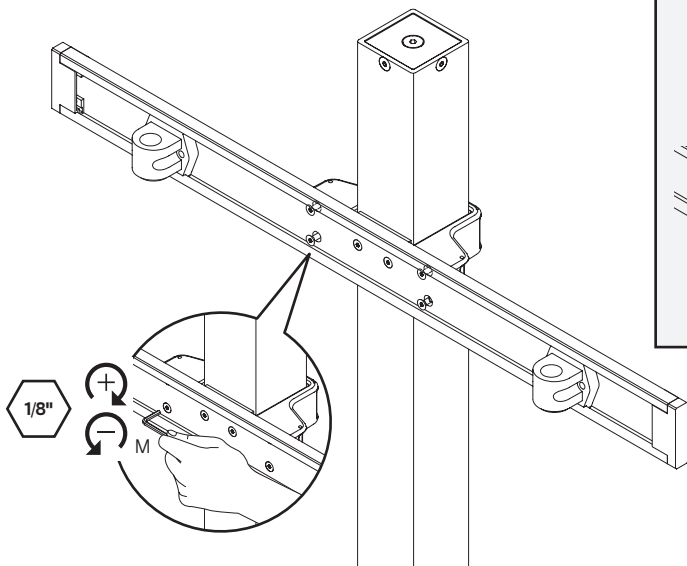
9



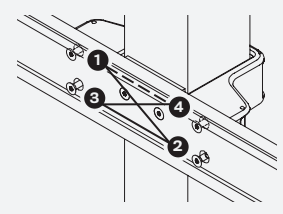
10



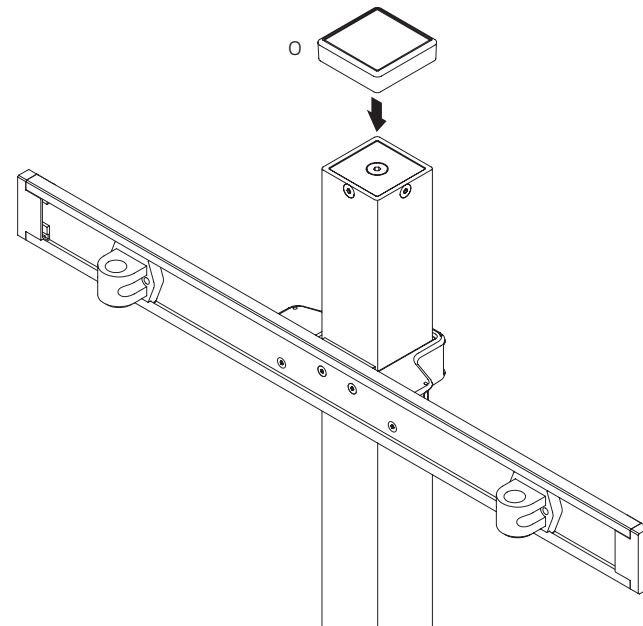
11

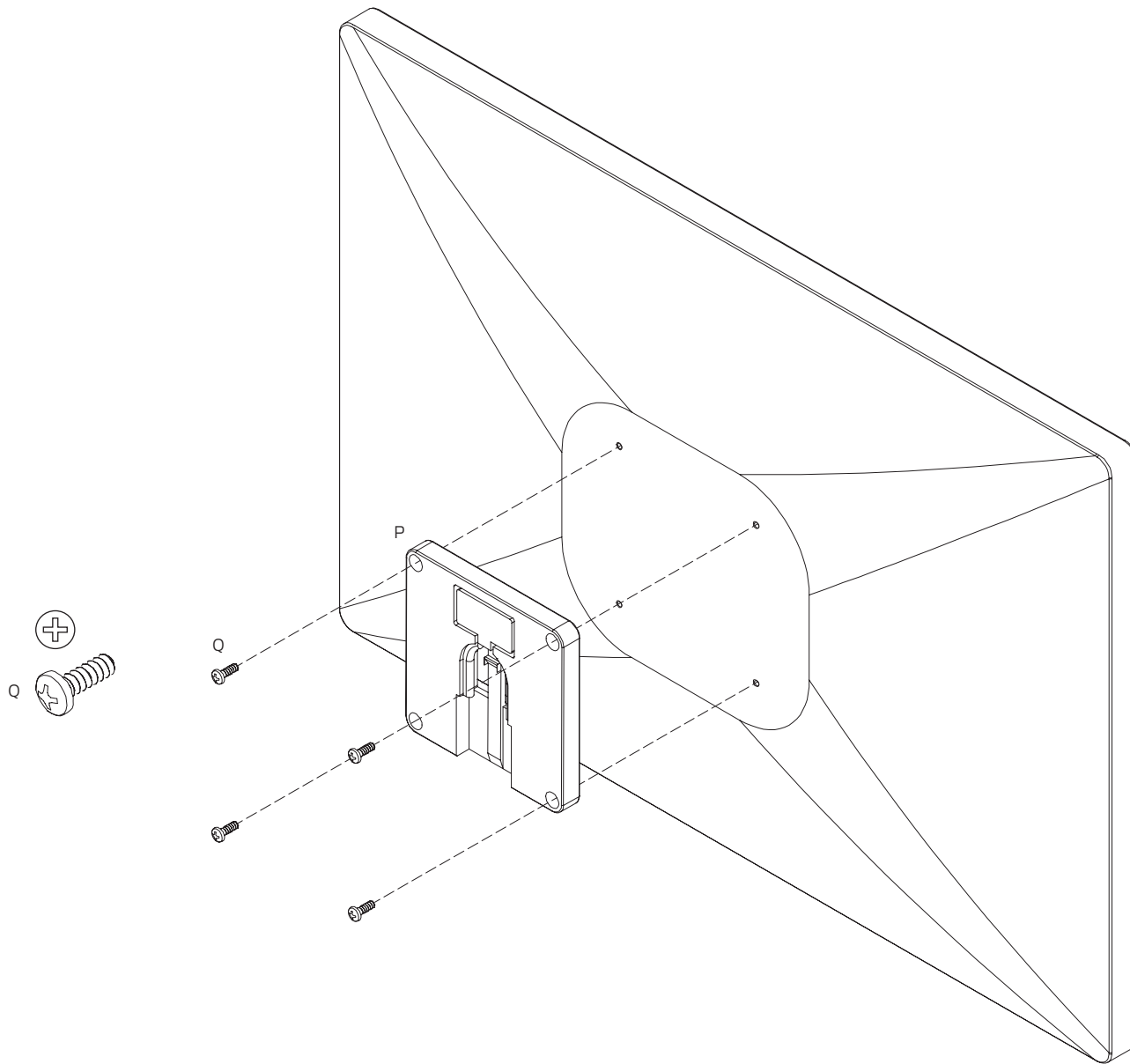


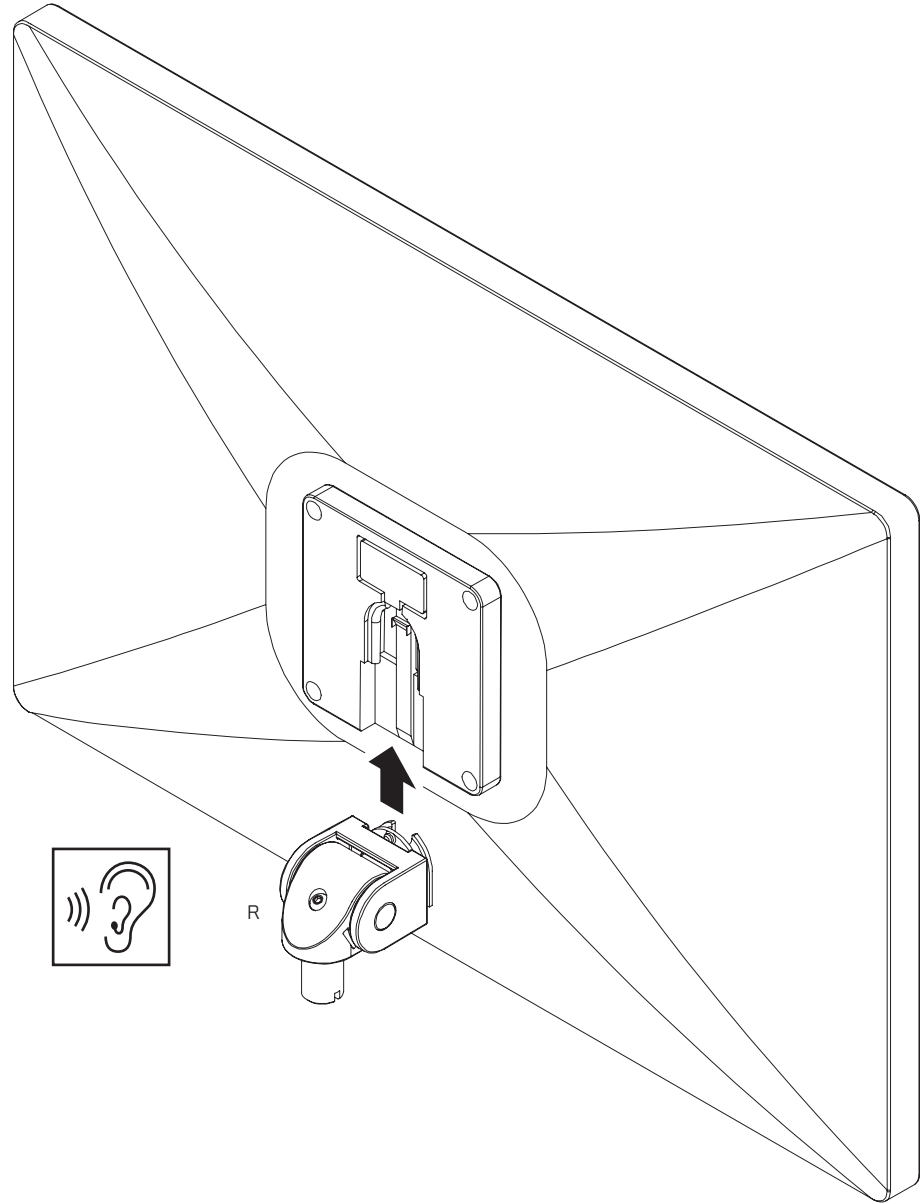
i **IMPORTANT:**
Tighten bolts evenly.
The beam should sit
flush against the col-
umn, ensure there
are no gaps. Also,
it is important the
worksurface clamp
is level.

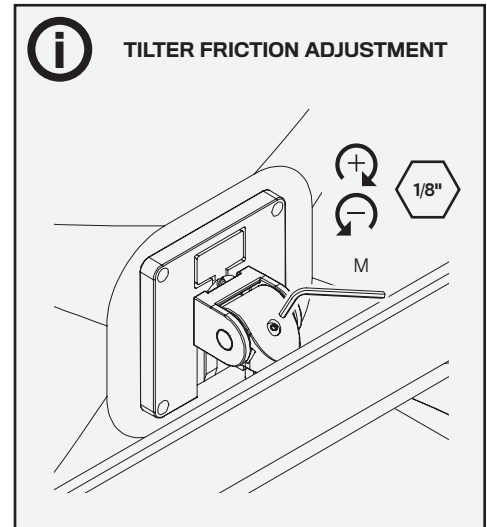
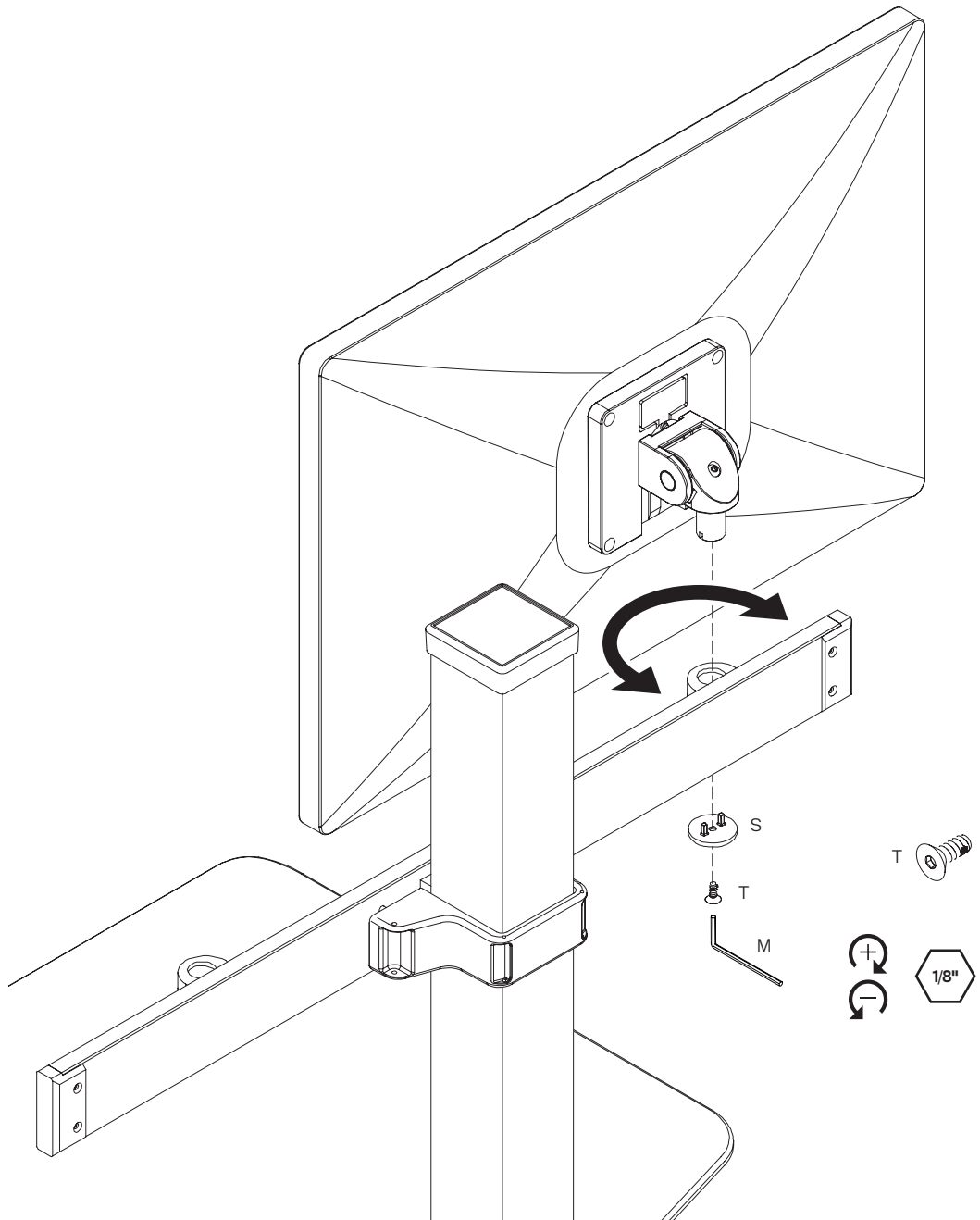


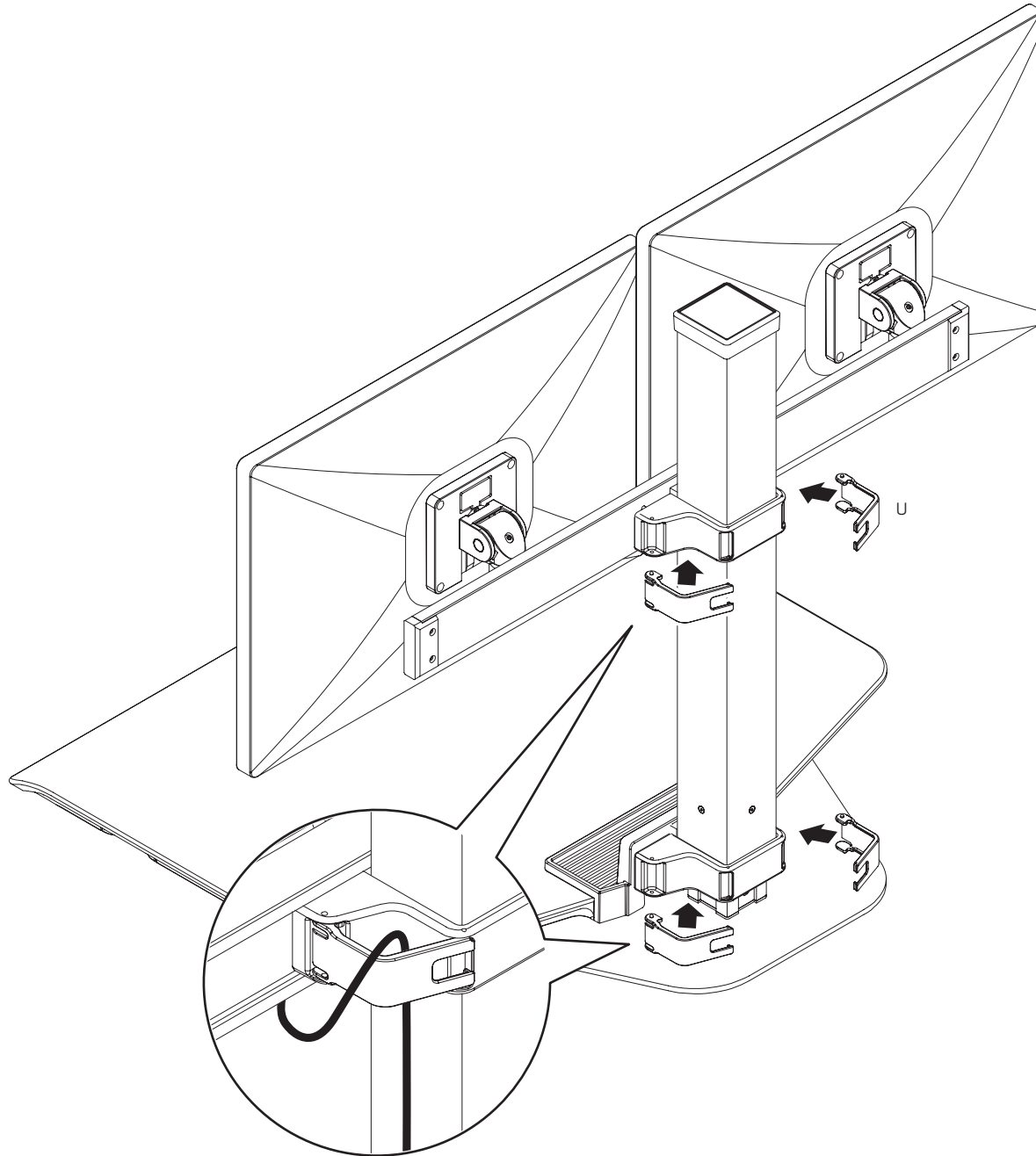
12

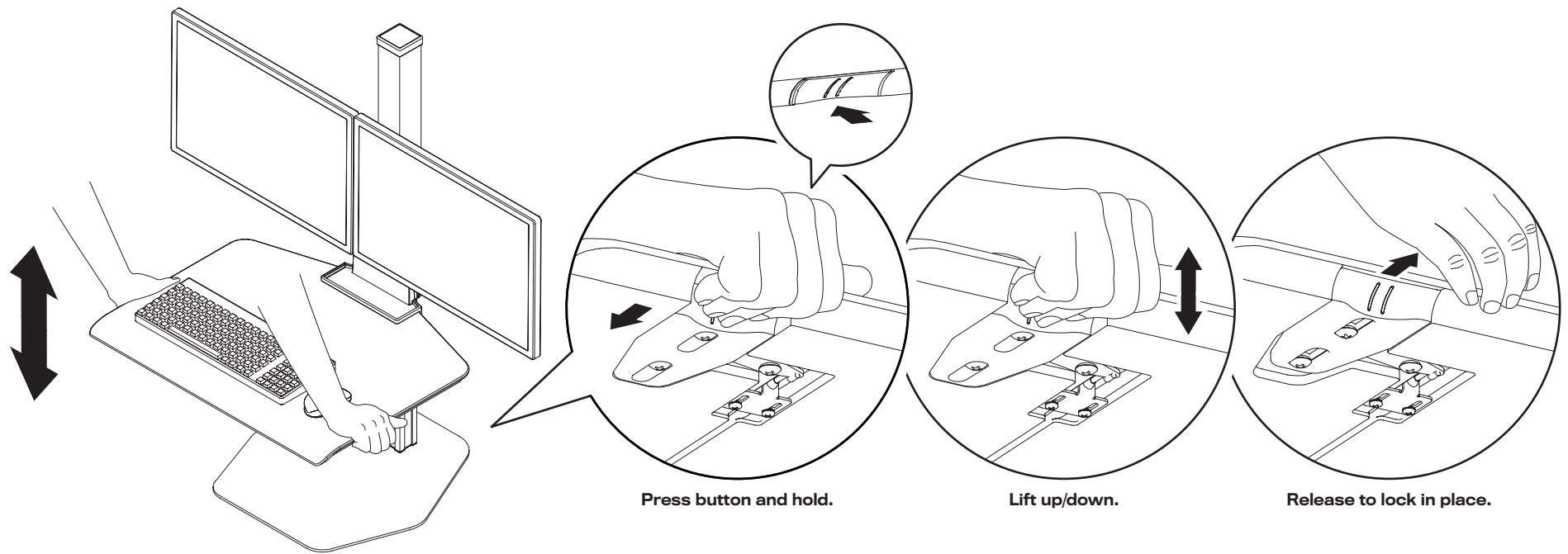












IS YOUR HEIGHT ADJUST BUTTON NOT WORKING?

If so, make the adjustments below.

- 17a** Slide workstation so that the worksurface hangs over desk edge to allow access to underneath the worksurface.
- 17b** Loosen the two screws as shown.
- 17c** Slide bracket in the direction shown and tighten screws.
- 17d** Test height adjust button - readjust by repeating the steps above as necessary.

