



SIT-STAND BENEFITS AT A VALUE PRICE

The new Solace Single Surface is functional, easy to install and use, stable and versatile. It's "all in one" height adjustable keyboard platform and monitor arm enables users to easily transition from a sitting to standing position in just a few seconds. The monitor can be independently adjusted for a personalized configuration. The Solace Single can be installed on a 24" or 30" deep rectangular or corner desk using the clamp or grommet mount.



Solace Single in standing position



Solace Single in seated position

Solace Single Sit-Stand

Arm Specifications:

- Platform & Monitor Mount travel in unison allowing transition between seated and standing height in seconds
- Integrated cable management
- 18.5" height adjustment range

Base Specifications:

- C-Clamp and Grommet Mount provide installation flexibility
- Provided pivot limiter allows 180° rotation

Monitor Mount Specifications:

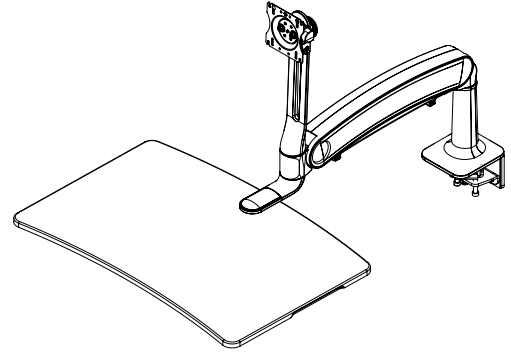
- Supports one 6-24 lb. monitor
- 6.3" of independent height adjustment
- 180° independent monitor swivel
- Standard VESA (75 mm & 100 mm)
- Quick Release Adaptor Included for streamlined monitor installation

Platform Specifications:

- Features 28" W × 18" D Phenolic platform
- Platform can be mounted above mounting plate for clean look or below to lay flush with worksurface

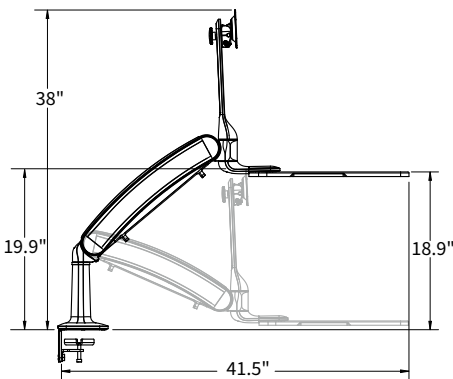
Optional Dual Monitor Adaptor:

- Supports two monitors 1-10 lb. ea and up to 22" wide

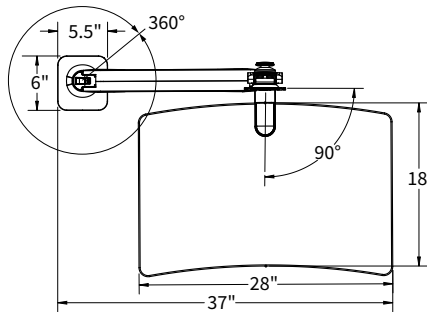


Dimensions

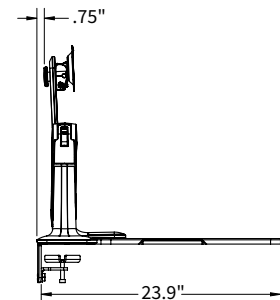
Base reach & range (side)



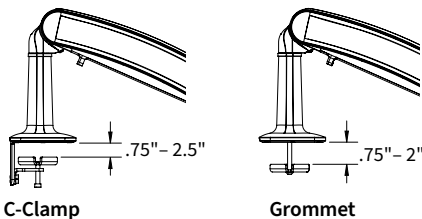
Pivot (top)



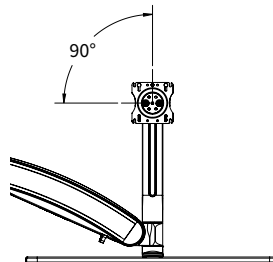
Stowed depth



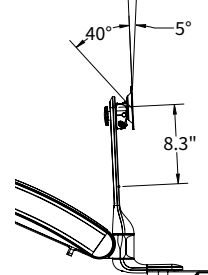
Base mounting clearance



Monitor mount swivel

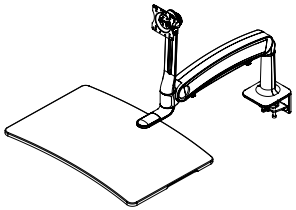


Monitor mount tilt, range



SOLACE SINGLE

Solace Single



Arm Features

- 31 lb capacity
- 18.5" lift range
- 360° rotation at base, 180° with included pivot limiter
- Monitor tower and keyboard platform rotate independently
- Available in silver
- Warranty: 5 years

Monitor Mount Features

- Supports one 6– 24 lb monitor
- 6.3" independent monitor height adjustment

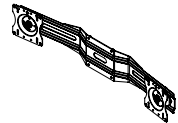
Platform Features

- 28" w × 18" d Phenolic platform
- Platform can be mounted above mounting plate for clean look or below to lay flush with worksurface

Model #	Weight
SOL-SINGLE-CCG-S	36

Solace Single Accessories & Parts

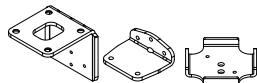
Dual Monitor Adaptor



- Converts from single monitor to dual monitor use
- Supports two monitors 1–10 lb each, up to 22" actual width
 - Reduces maximum weight capacity of arm by 3 lb
- Includes additional Quick Release Adaptor

SOL-ADPT-TWIN-S	6
-----------------	---

Clamp Bracket Kit



SOL-HDWR1-CCG-B	5
-----------------	---

Clamp Bolt Kit



SOL-HDWR2-BS-B	1
----------------	---