



Sena™ EX2-F

Dual Fixed Monitor Arm



Model Number

- SENAEX2-F-SLV
- SENAEX2-F-BLK
- SENAEX2-F-WHT

Available Mounting

- DC - Desk clamp
- GM - Grommet mount

SenaEX Monitor Arm Key

- F - Fixed monitor arm
- M - Motion monitor arm
- S - Slider mount

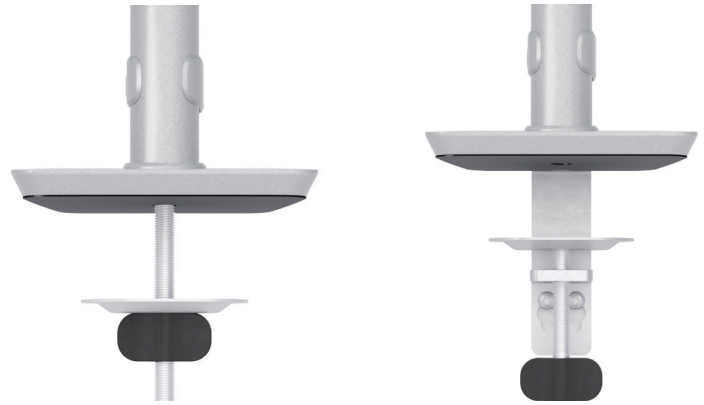
Product Specs

- Manual Height Adjustment
- Recommended for worksurfaces 36" deep or less
- 12.93" arm extension
- +75° / -35° monitor tilt
- +/-90° VESA rotation
- 2.2lb. - 19.8lb weight capacity
(per arm)
- 16" pole height
(includes base)
- VESA 75mm/100mm quick release
- 180° lock-out feature
- 270° / 135° arm rotation with 180° lock out
- Desk clamp and grommet mount included
- 25.98" max monitor width
- Bezel measured left to right
- Meets or exceeds BIFMA x5.5 and CSA CAN/CGSB44.227 guidelines

SenaEX For Every Need

- As workstation needs change, so can the SenaEX configurations. Additional components sold separately.

Call our Customer Service Department for pricing for custom configurations.



grommet mount

desk clamp

