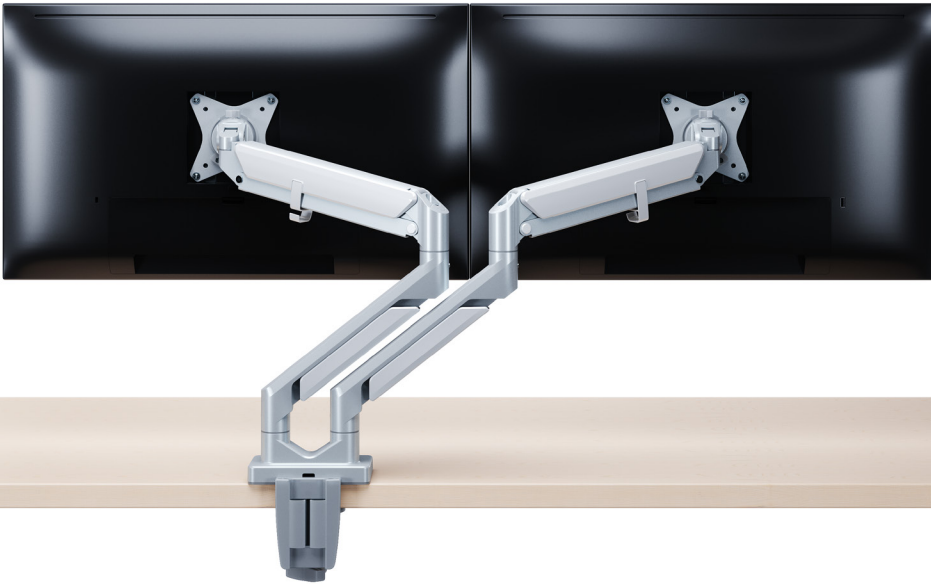


# JIBE

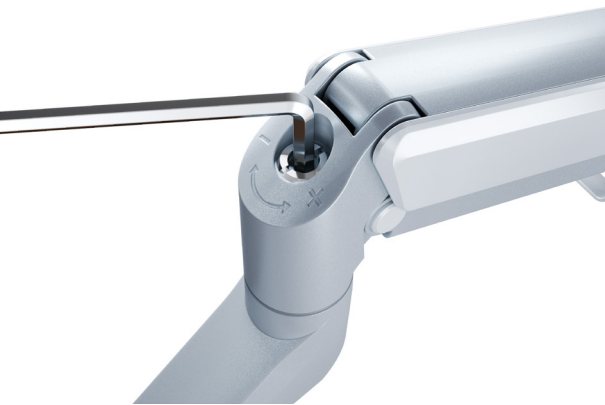
monitor arms





### Space Saving Overlap Arm Design

JIBE's unique arm design allows arms to be fully pushed back in while keeping monitors seamlessly positioned side by side



### Adjustable Spring Gauge

Use an Allen wrench to fine tune the spring tension of JIBE monitor arm to perfectly counterbalance any monitor weighing between 5–20 lb



### Detachable VESA Plate

Allows for quick and simple monitor installation and removal



### Optional Powered USB Base

Bring power to your JIBE monitor arm base by integrating two USB 3.0 cables



### 180 Degree Pivot Limiter

Locks out the rotation of the arm prevention collisions with walls and panels

## Specifications

Single arm supports one 5–20 lb monitor  
Dual arm supports two monitors 5–20 lb ea  
Maximum monitor height: 20.27"  
Articulation range: 12.60"  
Forward reach: 22.67"  
Stowed depth: 3.55"

### Monitor:

Tilt: +/- 40 degrees  
Pivot: +/- 90 degrees  
Rotation: +/- 90 degrees  
Standard VESA (75 & 100 mm)  
Available in silver, black, & white  
Includes c-clamp & grommet mount options  
Optional USB kit  
GREENGUARD Certified  
Warranty: 10 years

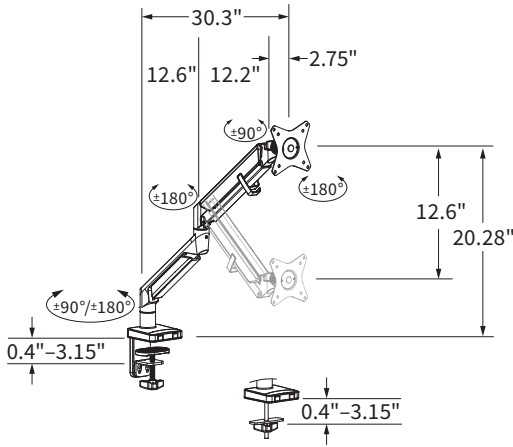


Black

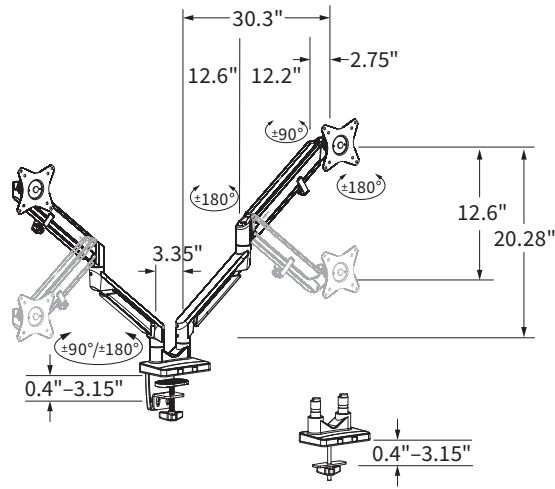
Silver

White

## JIBE Single Articulating Arm JIBE-1SDA-CCG-□



## JIBE Dual Articulating Arm JIBE-2SDA-CCG-□



**JIBE**  
monitor arms

### JIBE Accessories/Replacement Parts

Model #

#### JIBE USB KIT

Cable length: 10'

JIBE-USB-B

Two USB 3.0 cables per kit

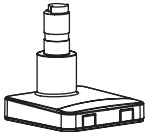


#### JIBE SINGLE BASE

Colors: **S:** Silver, **B:** Black

JIBE-BASE-SNGL-□

C-clamp & grommet mount  
hardware included

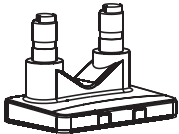


#### JIBE DUAL BASE

Colors: **S:** Silver, **B:** Black

JIBE-BASE-DUAL-□

C-clamp & grommet mount  
hardware included



#### JIBE CABLE CLIP

Colors: **S:** Silver, **B:** Black, **W:** White

JIBE-CBLCLIP-□



#### JIBE SINGLE ARTICULATING ARM (NO BASE)

Colors: **S:** Silver, **B:** Black, **W:** White

JIBE-1SDA-□

