



All-Flex[®] 2-Leg

Electric Height Adjustable Table Base



Model Number

FLEX2-_-_-

Product Specs

- Electric height adjustment
- 265 lb. base lifting capacity
- 1.5"/sec adjustment speed
- One part number for all 2-leg sizes
- 26.0" height adjustment range
- 23.3"–49.3" (low/high)
(excluding worksurface)
- Three stage adjustable legs
- Provides adjustable cross channels, top supports, and feet making it one of the most adjustable table bases on the market
- C-leg
- Foot is adjustable to 22.0" or 28.0"
(patented design)
- Leg columns fold out for easy assembly
- Adjustable width frame accommodates worksurfaces 36.0"–72.0"
- Adjustable depth top support expands to accommodate worksurfaces 24.0"–36.0" deep
- Notched cross channel offers ample space for keyboard tray glide tracks
- 7'2" power cord
- Digital keypad with four memory settings
- Anti-collision safety feature
- Soft start and stop
- Crossbar includes guide markings to assist in setting width
- Integrated control unit shelf
- Integrated storage for foot extension plate when not in use
- Integrated cable management
- Steel construction
- Low standby power consumption
- Table base is UL962 listed
- Two motors
- ADA compliant
- Locking casters are available
- Complete tables available
(base and top)

All-Flex 2-Leg



digital keypad



locking casters

Caster Kit

- Caster Kit
- Set of four casters for table base
- Increases height by 2.0"
- Locking casters for security
- Model # CASTERKIT-FLEX2



top support at 19.3"



top support at 23.3"



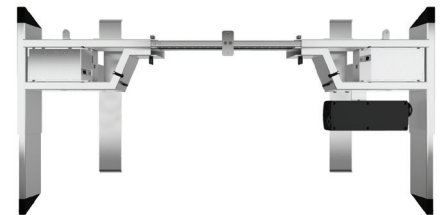
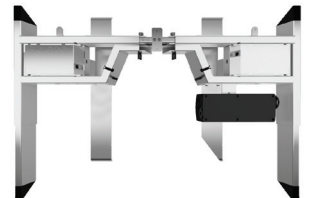
foot at 22.0"



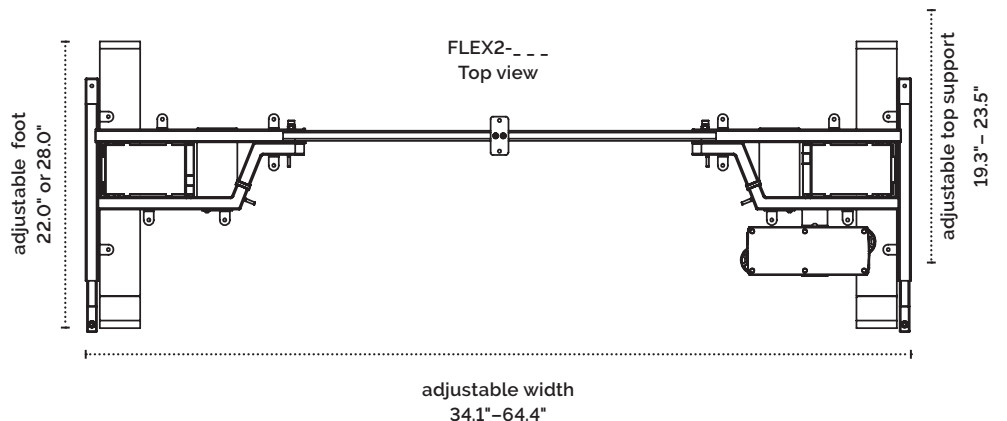
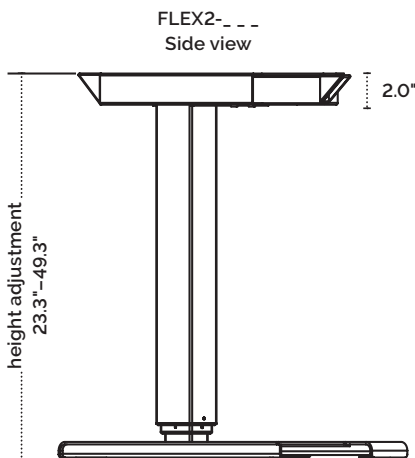
foot at 28.0"



adjustable cross channel



top views of notched cross channel



All-Flex 2-Leg

Complete Quick Ship Table Model # Breakdown

2F__-R4824-QS-T__
| | | | | | | | | |
a b c d e f g h i

- a: number of legs
- b: type of table base
- c: finish of base
- d: worksurface shape
- e: worksurface width
- f: worksurface depth
- g: quick ship indicator
- h: laminate material
- i: laminate color

Quick Ship Complete Table

48.0" x 24.0"

MODEL # 2F_-R4824-QS-T_ _

- All-Flex 2-leg table base with a 48.0*w x 24.0*d rectangle TFL worksurface

60.0" x 30.0"

MODEL # 2F_-R6030-QS-T_ _

- All-Flex 2-leg table base with a 60.0*w x 30.0*d rectangle TFL worksurface

Available base finishes

- Silver - S
- Black - B
- White - W

TFL Quick Ship Laminates

- Beigewood - BG
- Phantom Charcoal - PC
- Shadow Oak - SO
- Designer White - DW
- Grey - GR
- Dove Grey - DV

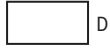
All-Flex 2-leg table

- Quick ship complete table options include: silver, black, or white table bases; 48.0*w x 24.0*d or 60.0*w x 30.0*d rectangle worksurfaces; all six TFL laminates. For all other combinations, please call our Customer Service Department for the estimated lead time and cost.
- Multiple worksurface shapes and laminates are available. See Complete Table and Worksurface Guide for worksurface details including laminate colors.

All-Flex 2-leg

Table Bases

Available Worksurfaces

Table Base Model	Worksurface Shape	Worksurface Dimension	TFL Standard		HPL Standard	HPL Premium
			Quick Ship	Standard Ship	Standard Ship	Standard Ship
FLEX2-___	 W Rectangle D	36"w x 24"d		2R3624-TFL-__	2R3624-HPL-__	2R3624-PHL-__
		42"w x 24"d		2R4224-TFL-__	2R4224-HPL-__	2R4224-PHL-__
		48"w x 24"d	2R4824-QS-TFL-__	2R4824-TFL-__	2R4824-HPL-__	2R4824-PHL-__
		60"w x 24"d		2R6024-TFL-__	2R6024-HPL-__	2R6024-PHL-__
		72"w x 24"d		2R7224-TFL-__	2R7224-HPL-__	2R7224-PHL-__
		36"w x 30"d		2R3630-TFL-__	2R3630-HPL-__	2R3630-PHL-__
		42"w x 30"d		2R4230-TFL-__	2R4230-HPL-__	2R4230-PHL-__
		48"w x 30"d		2R4830-TFL-__	2R4830-HPL-__	2R4830-PHL-__
		60"w x 30"d	2R6030-QS-TFL-__	2R6030-TFL-__	2R6030-HPL-__	2R6030-PHL-__
		72"w x 30"d		2R7230-TFL-__	2R7230-HPL-__	2R7230-PHL-__

Worksurface Program

- Multiple worksurface shapes and laminates are available. See the Complete Table & Worksurface Ordering Guide for worksurface details including pricing and laminate colors. TFL quick ship worksurfaces are shipped out in 48 hours, TFL standard and HPL standard/premium worksurfaces ship within three weeks. Lead time may vary depending on quantities ordered and their availability
- Table bases and worksurfaces can be purchased independently or as a combination.
- Fellowes worksurfaces are made to exact dimensions. If nominal sizing is needed, please specify when ordering.

