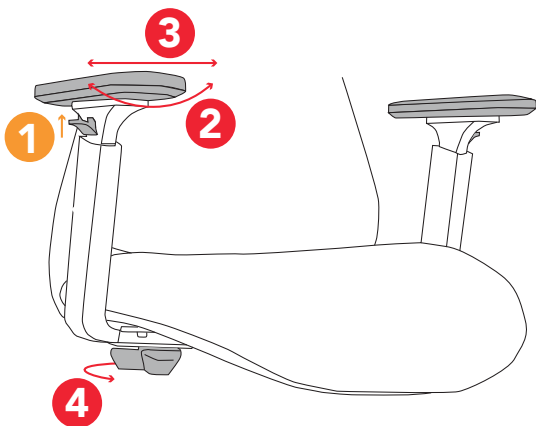


51A/51AG/52A/53A 8-way adjustable arm user guide.
Preferred arm for task, management & executive seating.



1 Arm height adjustment - While pressing the button located below the armrest, use your hand to raise and lower the arm height.

2 Optional arm cap rotation (add caps **18R** or **20R**) - Grasp arm cap and turn left or right to rotate a max of 15° each way.

3 Optional arm cap slide (add caps **18R** or **20R**) - Grasp arm cap and slide forward or back (1.5").

4 Optional arm width adjustment (add bracket **19AB**) - Rotate the switch located beneath the arm forward. Use your hand to grasp the arm and adjust it out to your desired width away from seat. Each arm adjusts separately. When finished making adjustments, rotate the switch back to its original position.

Note: Static caps (**18S** or **20S**) are standard with the **51A**, **51AG**, **52A** & **53A**. 4D adjustable caps (**18R** or **20R**) are optional.



Contract Holder

contract #: GS-28F-005CA

contractor: VIA INC