



Titanium Edition

Titanium RETRO Edition Chlorinator Installation and Operation Manual



Titanium Edition Saltwater Chlorinator Installation and Operation Manual

1.0 INTRODUCTION 4

2.0 GETTING STARTED 4

3.0 SAFETY INFORMATION 4

4.0 THE CHEMISTRY INVOLVED 5

5.0 WATER CHEMISTRY 5

6.0 ADDING SALT TO POOL OR SPA 8

7.0 INSTALLATION 10

8.0 INSTALLATION CHECKLIST 13

9.0 OPERATION 14

10.0 MAINTENANCE 15

11.0 TROUBLESHOOTING 17

12.0 WARRANTY 18



1.0 INTRODUCTION

- 1.1.1 Congratulations on your recent purchase of a Titanium Retro Edition Saltwater Chlorine Generator. Please take a moment to read through the entire manual before installing your new unit. Your generator must be installed and operated as specified.

2.0 GETTING STARTED

- 2.1.1 **READ THIS FIRST.** As with any electrical device it is very important that the installation and service of this equipment be performed by a qualified person with the skills and experience required to do it safely and correctly. Improper installation or service can result in severe electrical shock to the installer or user of the equipment or pool. Please choose your installer with great care.

3.0 SAFETY INFORMATION

IMPORTANT SAFETY INSTRUCTIONS, READ AND FOLLOW ALL INSTRUCTIONS. SAVE ALL INSTRUCTIONS.

- 3.0.1 **WARNING:** To reduce the risk of injury, do not permit children to operate this device.
- 3.0.2 **WARNING:** To reduce the risk of electric shock, fire or injury, service of this device should only be attempted by a qualified professional.
- 3.0.3 **WARNING:** Chemical Hazard - When mixing acid with water, always add the acid to the water, never add water to the acid. When using the acid ensure to use rubber gloves and appropriate eye protection.
- 3.0.4 Heavy pool (and/or spa) usage, and higher temperatures may require higher chlorine output to maintain proper free available chlorine residuals.
- 3.0.5 Do not add chemicals directly to the skimmer as this may damage the cell.
- 3.0.6 If additional chlorine is required due to heavy bather loads, use Sodium Hypochlorite to maintain an appropriate chlorine residual in the water. For outdoor pools, chlorine residuals can be protected from destruction by sunlight by the addition of stabiliser (cyanuric acid).
- 3.0.7 Maintaining high chlorine and very high salt levels above the recommended range may contribute to corrosion of pool (and/or spa) equipment.

- 3.0.8 Check the expiration date of any chemical test kits as test results may be inaccurate if used after that date.
- 3.0.9 When replacing the cell, only use replacement cells having a label that clearly states that it is a replacement cell for this model.

4.0 THE CHEMISTRY INVOLVED

- 4.1.1 The Titanium Edition chlorine generator by electrolysis creates chlorine to sanitize your pool using the salt molecules (NaCl) in your water. A small electric charge is applied across a set of titanium plates inside the Electrolytic Cell. This produces Sodium Hypochlorite (NaOCl). In water, Sodium Hypochlorite dissociates into sodium (NA+) and hypochlorite (OCl-) ions.
- 4.1.2 It is the hypochlorite ions that form with the hydrogen (H+) ions (from the water) to form hypochlorous acid (HOCl), which is the active agent that destroys bacteria and algae, and oxidizes organic matter. This form of chlorine works quickly in the pipe, leaving only a mild residual in the pool.

5.0 WATER CHEMISTRY

WARNING: Prior to turning on your Titanium Retro Edition Chlorine Generator for the first time your water chemistry must be balanced according to the following guidelines.

Recommended Salt and Pool / Spa Chemistry Readings

	Swimming Pools	Spas
Free Available Chlorine	1.0 – 3.0 ppm	3.0 – 5.0 ppm
pH	7.2 – 7.8	7.2 – 7.8
Total Alkalinity	100 – 120 ppm	100 – 120 ppm
Calcium Hardness	200 – 300 ppm	150 – 200 ppm
Stabiliser (Cyanuric Acid)	30 – 60 ppm	30 – 60 ppm
Total Dissolved Solids	< 1,200 ppm	< 1,200 ppm
Salinity	3000ppm	3000ppm

-
- 5.0.1 **Chlorine Stabiliser (Cyanuric Acid).** Chlorine Stabiliser is needed to maintain proper levels of chlorine. Unstable chlorine can be destroyed by the sun's UV radiation within two hours. Chlorine stabiliser must be maintained between 30 – 60 ppm.
 - 5.0.2 **Nitrates and Phosphates.** These chemicals can cause extremely high chlorine demands and will deplete chlorine from your pool. In some cases, they may even lower your chlorine levels to zero. Your local pool professional can test for Nitrates and Phosphates and recommend methods of removal.
 - 5.0.3 **Metals.** Metals can cause loss of chlorine. Also, metals can stain your pool and tint your water. Have your local pool professional check for metals and recommend methods of removal.
 - 5.0.4 **Chloramines.** Chloramines should not be present in pool water. When organic materials are not fully oxidized by Free Chlorine, Chloramines are formed. This ties up the Free Chlorine in your pool, and does not allow the chlorine in your pool to disinfect. Chloramines also cloud pool water and burn the eyes. Shock the pool with chlorine to remove Chloramines at the initial start up of the pool.
 - 5.0.5 **pH Levels.** pH produced by a chlorine generator is close to neutral pH. However, other factors usually cause the pH of the pool water to rise. Therefore, the pH in a pool chlorinated by a chlorine generator tends to stabilize at approximately 7.8. If the pool pH rises above 7.8, have a pool professional test to see if other factors such as high Calcium Hardness or Total Alkalinity are the cause, and then balance accordingly.
 - 5.0.6 **Total Dissolved Solids (TDS).** Adding salt to pool water will raise the TDS level. While this does not adversely affect the pool water chemistry or clarity, the pool water professional testing for TDS must be made aware that salt has been added for a chlorine generator system. The individual performing the TDS test will then subtract the salinity level to arrive at the correct TDS level.

5.3 Water Chemistry Helpful Hints

- 5.3.1 Proper operation of the chlorine generator can be easily verified by inspecting the Electrolytic Cell. The chlorine being produced will appear as a fog at one end of the plates.
- 5.3.2 If the pool remains cloudy, or the chlorine residual tests low, then the chlorine being produced is being lost due to high chlorine demand or improper water conditions. Take a water sample to a pool professional to ensure that the pool water is balanced correctly.

5.4 Recommended List

- 5.4.1 Read and keep your manual in a safe place.
- 5.4.2 Increase chlorine production when temperature goes up.

-
- 5.4.3 Increase chlorine production when bather loads increase.
 - 5.4.4 Use Stabiliser (Cyanuric Acid) to protect free chlorine in pool
 - 5.4.5 Decrease chlorine production when temperature goes down.
 - 5.4.6 Take pool water sample to a Pool Professional once per month.

5.5 Not Recommended List

- 5.5.1 Do not allow fertilizer anywhere near your pool. Fertilizers contain Nitrates or Phosphates which cause severe chlorine demand in pool water.
- 5.5.2 Never use dry acid to adjust pH. A build up of by-products can damage the Electrolytic Cell.
- 5.5.3 Do not add any pool water balancing chemicals (including salt) unless the Cell Power switch is turned off.
- 5.5.4 Do not add any chemicals (including salt) to the skimmers.
- 5.5.5 Do not let salinity level drop below 2800 ppm.

5.6 Definitions

- 5.6.1 **Algae.** Plant-like organisms which grow in water. Especially active in summer conditions where chlorine disinfectant levels are too low to destroy them. Algae may be green, yellow, brown or black (Black Spot) in colour.
- 5.6.2 **Chlorine Demand.** The amount of chlorine that should be added to the water to provide proper bacteria and algae control.
- 5.6.3 **Chlorine Residual.** The amount of chlorine left over, after the “demand” has been met.
- 5.6.4 **Combined Chlorine.** Weak chlorine which is combined with the contaminants in the water.
- 5.6.5 **Free Chlorine.** Active chlorine in the water with the potency to destroy contaminants.
- 5.6.6 **Shock Treatment.** The removal by means of oxidation of those materials that have chlorine demand.

6.0 ADDING SALT TO POOL OR SPA

Adding Salt

- 6.0.1 DO NOT add pool/spa chemicals directly to the skimmer. This may damage the electrolytic cell. Maintaining high salt levels above the recommended range can contribute to corrosion of pool/spa equipment. If the chlorine generator has already been installed, it must be turned off before adding salt. The required salt concentration for the Titanium Edition is 3000 ppm.
- 6.0.2 For pools it is best to empty the required salt into the shallow end of the pool and run the filter and pump simultaneously while the Titanium Edition chlorine generator is off to circulate the water and dissolve the salt. Do not throw the salt bag into the pool or spa as chemicals and inks on the bag can interfere with the water balance.
- 6.0.3 Salt may take 24 – 48 hours to dissolve in the summer and longer in the winter. Finer granules of salt will dissolve faster than compressed pellets.

6.2 Type of Salt to Use

- 6.2.1 The more pure the salt the better the life and performance of the electrolytic cell. Use a salt that is at least 99.8% pure NaCl. The preferred salt is an evaporated, granulated, food quality, non-iodized salt. Consult your local pool store.
- 6.2.2 Avoid using salt with anti-caking agents (sodium ferrocyanide, also known as YPS or yellow prussiate of soda) that could cause some discolouration of fittings and surface finishes in the pool.
- 6.2.3 Water conditioning salt pellets are compressed forms of evaporated salt and may be used but will take longer to dissolve.
- 6.2.4 Do not use calcium chloride as a source of salt (use sodium chloride only).
- 6.2.5 Do not use Rock salt. Insoluble impurities mixed with the rock salt can shorten the life of the electrolytic Cell.

6.3 Salt Level

- 6.3.1 The Titanium Retro Edition chlorine generator requires a salinity level of 3000ppm. To achieve this level of salinity, add 30 kgs of salt for every 10,000 litres of water. If you are unsure of the number of litres in your pool, double-check with the equations below.

	Litres (Measurements in Metres)
Rectangular	Length x Width x Average Depth x 1000
Round	Diameter x Diameter x Average Depth x 775
Oval	Length x Width x Average Depth x 775

6.3.2 If the salt level is low, determine the number of litres in the pool and add salt according to the chart below. A low salt level will reduce efficiency of the chlorine generator and result in low chlorine production.

A high salt level can cause a salty taste to your pool and may damage the chlorinator and other pool equipment. In addition, operating the unit outside the recommended salt level will rapidly reduce the longevity of the Cell. The salt in your pool/spa is constantly recycled and the loss of salt throughout the swimming season should be small. This loss is due primarily to the addition of extra water to replace water lost from splashing, backwashing, and draining (because of rain).

6.3.3 Salt is not lost due to evaporation.

If salt content is too high you will need to reduce the level of water in your pool/spa and refill the pool/spa with fresh water.

6.3.4

To initially start a pool with the correct amount of salt, add salt to the pool at a rate of 30 kgs of salt for every 10,000 litres of water (see Table 1: Salt Table).

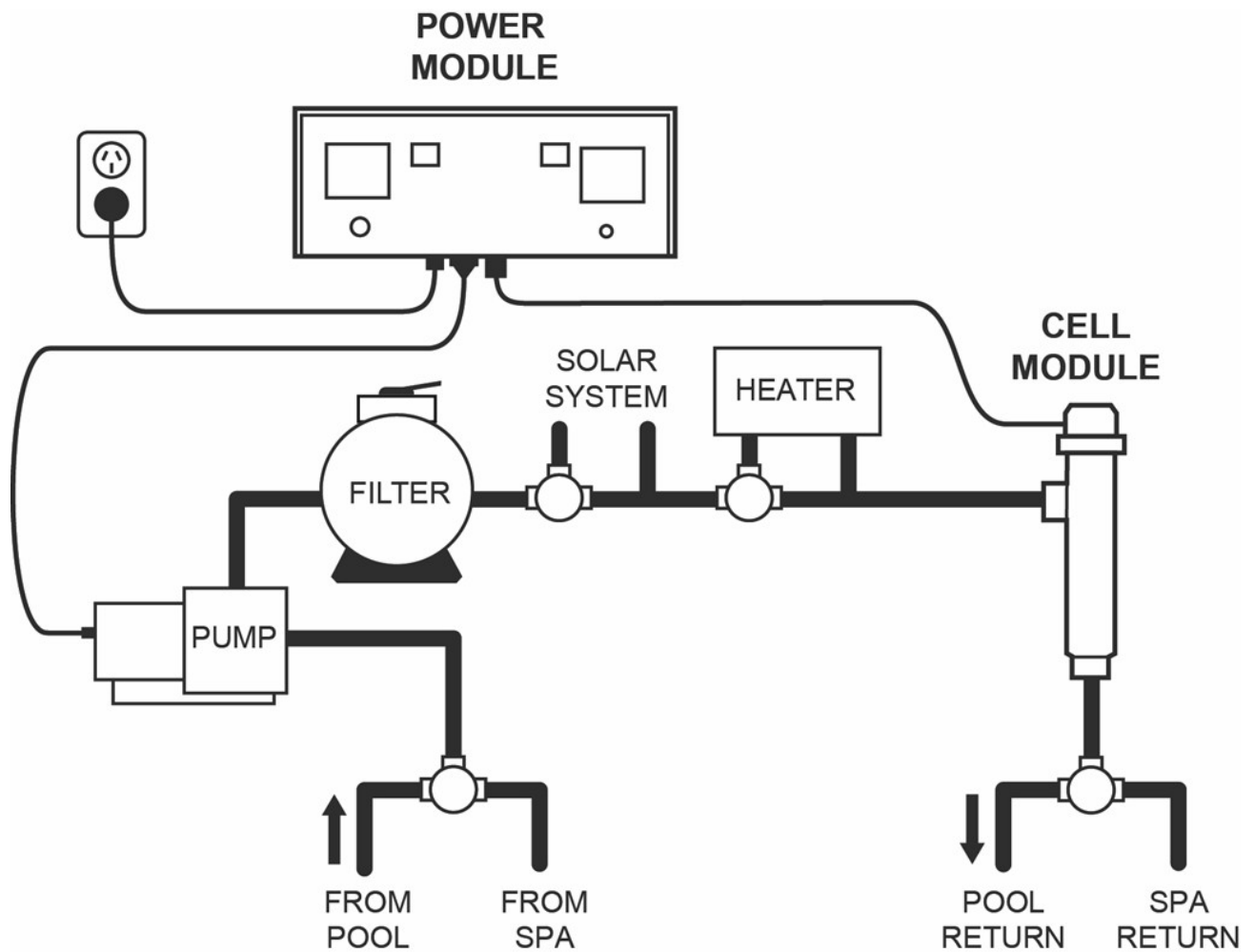
Salt Level		0	500	1000	1500	2000	2500	3000
How Much Salt to Add in kilograms								
Volume of Water in thousands of Litres	10	30	25	20	15	10	5	0
	20	60	50	40	30	20	10	0
	30	90	75	60	45	30	15	0
	40	120	100	80	60	40	20	0
	50	150	125	100	75	50	25	0
	60	180	150	120	90	60	30	0
	70	210	175	140	105	70	35	0
	80	240	200	160	120	80	40	0
	90	270	225	180	135	90	45	0
	100	300	250	200	150	100	50	0
	110	330	275	220	165	110	55	0
	120	360	300	240	180	120	60	0
	130	390	325	260	195	130	65	0
	140	420	350	280	210	140	70	0
	150	450	375	300	225	150	75	0
	160	480	400	320	240	160	80	0
	170	510	425	340	255	170	85	0
180	540	450	360	270	180	90	0	

6.3.5 **Table 1 - Salt Table.** Locate the column that contains your pool's current salt concentration in parts per million at the top of the chart. Then locate the row that contains the size of your pool in litres at the left of the chart. Where the column and row intersect within the chart is the number of kilograms of salt required to be added to your pool.

7.0 INSTALLATION

Overview

- 7.0.1 The Power Module is to be mounted at least 1 meter above ground level, and if possible protected from direct weather. The Cell Module is to be plumbed into the return line to the pool after the pump, filter and heater, if applicable (see Figure 1). The Power Module must be installed 3 meters or more away from the pool edge.



- 7.0.2 **Figure 1** - Installation Schematic.

7.2 Wiring

- 7.2.1 The Power Module comes with a standard 240VAC 10Amp power cable that is to be connected to mains power. Plug the power cable into a suitable weatherproof outlet.
- 7.2.2 Plug the pump power cable into the outlet on the Power Module. The pump outlet is located on the base of the Power Module. The pump output is rated at 240VAC, 8 Amp max. Check the electrical rating marked on the pump motor. Connecting a pump with a higher amperage rating may result in permanent damage to the Power Module.

7.3 Installing the Power Module

- 7.3.1 Mount the Power Module as close to the pump and filtration system as possible. Make sure the Cell Cable can reach the section of pipe selected for the cell. **Do not install the Power Module within 3 meters of the pool edges.**
- 7.3.2 Fasten the supplied screws and anchors to the wall that the Power Module will be mounted to at eye level. The screws must be positioned at a spacing of 300mm. Once the screws are firmly and correctly in place lift the Power Module onto them, ensuring the Power Module correctly slides down onto the screws.

7.4 Installing the Cell (if Purchased with the Power Supply)

- 7.4.1 Be sure the pool pump is turned off.
- 7.4.2 Unscrew your existing Cell out of your cell housing and install the new supplied salt cell.
- 7.4.3 Make sure that the Cell Cable reaches from the salt cell to the new location of your Power Supply unit.
- 7.4.4 Cell Wiring - Under the under there is a Junction Box where the cell cable connects to the controller. Remove this cover and loosen the 3 brass screws
- 7.4.5 Connect the Cell Cable to the Power Module. Remove the protective cover from the Cell Cable junction box on the underside of the Power Module. Insert the Cell cable wires to the terminal, with the thin wire connecting to the middle position, and secure firmly and tightly. Replace the protective cover back over the junction box.

7.4.6 **Standard Non Cleaning Models** (Needle on the meter starts on Left)

There are 3 wires you need to connect from your Salt Cell.

- Take the thin gauge wire from the cell and insert it in the center
(This is the water sensor for your salt cell so the control box can detect water flow)
- Above the sensor wire you then put your Positive wire (This is usually Red or Brown)
- Then Lastly below the water sensor wire you put the negative wire

Self Cleaning Models (Needle on the meter starts in the Center)

There are 3 wires you need to connect from your Salt Cell.

- Take the thin gauge wire from the cell and insert it in the center
(This is the water sensor for your salt cell so the control box can detect water flow)
- Then the 2 thicker wires can go either way above and below the Thin Gauge Wire
Make sure all wires are under the screw and tighten them down, then reinstall the white cover



8.0 INSTALLATION CHECKLIST

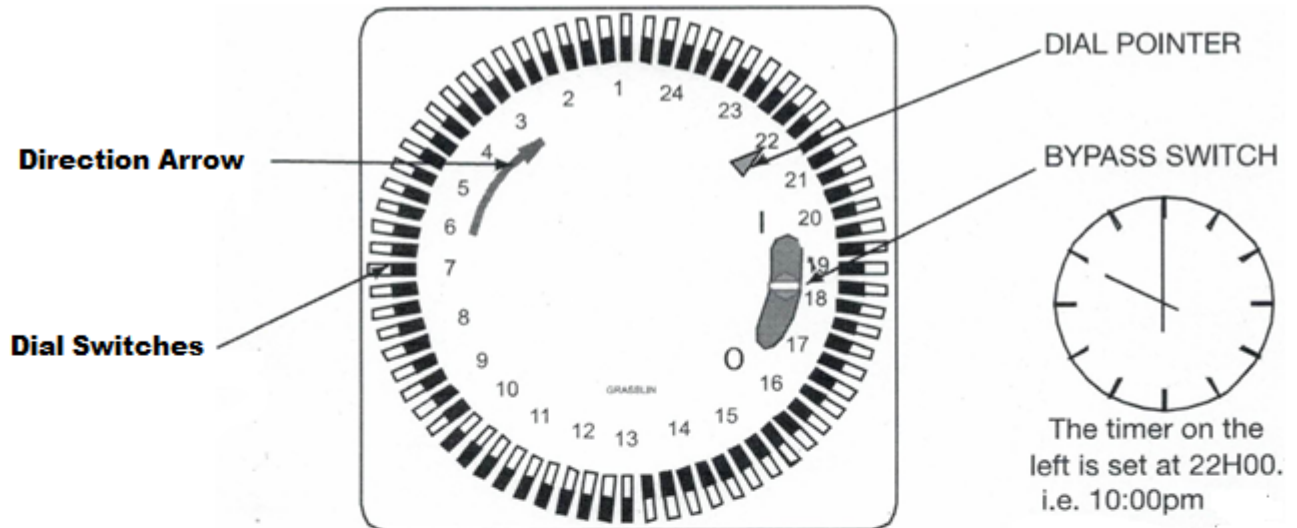
- 8.1.1 Cell is correctly installed into the cell housing
- 8.1.2 Cell Collar firmly tightened down onto Cell Housing with gasket in place.
- 8.1.3 The Power Module is mounted and secured in place on the mounting screws.
- 8.1.4 The Power Module is plugged into a weatherproof power outlet.
- 8.1.5 The Cell Cable wires are securely connected to the Power Module.
- 8.1.6 Enough salt has previously been added or diluted from the pool.
- 8.1.7 You have checked and confirmed that the pump switches ON and OFF with the Power Module.
- 8.1.8 You have checked all connections and joints for leaks.

9.0 OPERATION

Power Module Controls

- 9.0.1 **Cell On / Off.** For normal operation, the system should be left in the "On" position via the CELL POWER switch. In this position the Titanium Edition will produce chlorine according to the desired output. Switching the button to the "Off" position will stop the unit from production.
- 9.0.2 **Timer Auto / Manual.** This switch allows you to manually override the time clock. Switch to manual for continual running of the filter pump. Positioning the switch to Auto will ensure the unit operates in-line with the timer settings.
- 9.0.3 **Output Dial Low / High.** The output dial controls the amount of chlorine being produced in the electrolytic cell. Turn the dial to the left to lower the output setting, turn the dial to the right to increase the output setting.
- WARNING:** If the chlorine output monitor needle is in the red zone, turn the dial down until the needle returns to the green zone.
- 9.0.4 **Chlorine Output Monitor.** For maximum output, adjust the Chlorine Output dial to read normal in the green zone on the Chlorine Output Monitor. If the Monitor reads in the red zone, check for a too high salt content and turn the dial down immediately. If the monitor cannot reach the green zone, check for low salt content. If the chlorine output is higher than required, turn the output dial down accordingly.
- 9.0.5 **Circuit Breaker.** This is a safety protection if too much current is received to the unit. To re-activate simply push the yellow reset button back into the enclosure.
- 9.0.6 **Analogue Timer.** Set the analogue time clock to the desired running times and turn the Cell Power switch to ON. Note: For best pool and spa chlorination results, run the Chlorinator for two or more periods a day (morning and afternoon). A total of 4-12 hours per day is required depending on pool or spa size, climate and season.

9.2 Setting the Analogue Timer:



Clock setting

Be sure to turn the "TIME DIAL" in the Direction of the arrow.

DO NOT turn in the reverse direction! Line up the correct time of Day on the DIAL with the POINTER. Each HOUR is divided into 4 x 15 Minute divisions (4x1/4 Hour)

NOTE: The above time is set to 10:00pm (i.e. 22H00)

Timer setting

Set ON Times by moving DIAL SWITCHES to the outer edge. Each SWITCH represents 1/4 Hour (15min) running. For one hour of running 4 switches will be set to the outer edge.

NOTE: The above example is set to run from 10AM to 1PM (3hours). All pins from 10 to 13 on the Dial will be extended out (OPTIONAL) BYPASS SWITCH.

Bypass Switch (Center Position)

This is the normal Timer Position (Automatic) In this position the timer will operate as normal with automatic switching on during the time set by the DIAL SWITCHES

Upper Position (1): In this position the TIMER is always ON regardless of the SWITCH settings

Lower Position (O): In this Position the TIMER is always OFF regardless of the SWITCH settings

- 9.2.1 **Clock Setting:** Set the Clock by turning the outside of the Analogue Timer clockwise (in the direction of the arrow), do not turn in the reverse direction. Line up the hour and minute hands to the correct time of day on the clock dial.
- 9.2.2 **Timer Setting:** Set ON times by moving the small Dial Switches to the outer edge. Each Switch represents 1/4 Hour (15min) running time. For one hour of running time 4 switches will be set to the outer edge. The Dial Switches represent 24 hours and the Dial Pointer indicates the time corresponding with the Clock.

9.2.3 Bypass Switch (Optional):

Auto Position: This is the normal automatic timer position. In this position the timer will operate as normal with automatic switching ON during the time set by the Dial Switches.

On Position: In this position the timer is always ON regardless of Switch settings.

10.0 MAINTENANCE

Water Chemistry

- 10.0.1 It is recommended that a pool water sample be taken to a Pool Professional once per month for analysis. Please refer to Water Chemistry (section 5.0) for additional information.

Electrolytic Cell

- 10.0.2 The cell operates most efficiently when it is clean. As a natural result of the electrolytic process which creates chlorine from salt molecules, calcium is attracted to the titanium plates in the cell. The self-cleaning feature helps to inhibit such build up and scaling. However, the attraction of calcium and other minerals is inevitable and eventually it must be removed. The cell only needs cleaning to ensure that build up does not cause individual plates to come in contact with each other.
- 10.0.3 The clear housing of the cell allows easy visual inspections, and with correct water chemistry, the cell will only need cleaning approximately every 3-6 months. In regions with hard water (high calcium levels), more frequent cleaning may be required.

Cleaning the Cell

- 10.0.4 Turn off power to the Power Module and pump.
- 10.0.5 Remove the Cell from the Cell Housing by loosening the Cell Collar on top of the Cell Housing and pulling out. If required disconnect the Cell Cable wires at the junction box underneath the Power Module (these must be reassembled firmly and tightly).
- 10.0.6 With the Cell removed use a high pressure hose nozzle to spray off as much loose scale and debris as possible.
- 10.0.7 Do not use any sharp or metallic objects to remove scale. Scraping or scratching the cell plate's edge or surface will allow chemical attack of the plate, cause premature failure of the cell and will void the warranty.

-
- 10.0.8 If further cleaning is required the cell needs to be cleaned in a mixture of one (1) part Hydrochloric (Muriatic) Acid into ten (10) parts water. Mix the acid solution in a bucket or tube that will fit the Cell.
- 10.0.9 **WARNING:** Chemical Hazard - When mixing acid with water, always add the acid to the water, never add water to the acid. When using the acid ensure to use rubber gloves and appropriate eye protection.
- 10.0.10 Place the Cell into the cleaning solution submerging the plates and ensuring that the Cell Head and Cap do not come in contact with the solution.
- 10.0.11 Once the Cell is clean, remove it from the cleaning solution and rinse. Replace the Cell back into the Cell Housing in the reverse manner to the steps above.
- 10.0.12 Note: Do not leave the Cell in the cleaning solution for more than 15 minutes as this may cause damage to the Cell plates. Additionally excessive cleaning will reduce the lifespan of the cell.

10.4 Replacing the Cell

- 10.4.1 When the titanium blades of the Electrolytic Cell have reached the end of their lifespan, replacements are available so that the whole system does not have to be replaced.
- 10.4.2 To remove the Cell for replacement firstly turn off power to the Power Module and pump.
- 10.4.3 Loosen the Cell Collar on top of the Cell Housing and pull the Cell out. Disconnect the Cell Cable wires at the junction box underneath the Power Module (the new cable must be reassembled firmly and tightly).
- 10.4.4 Replace with the new cell in the opposite manner. There are no changes that need to be made to the Power Module when replacing the Cell provided the Chlorine Output Monitor needle is reading normal (green zone).

11.0 TROUBLESHOOTING

Problem	Possible Cause	Corrective Action
Chlorine output meter needle in red.	Output dial turned up too high.	Turn the output dial down until the needle returns to the green zone.
	Salt content too high.	Reduce the pool water salinity to 3000ppm by backwashing filter and adding fresh water.
	High pool water temperature.	Turn the output dial down until the needle returns to the green zone.
Low or no chlorine residual.	Insufficient chlorine output.	Increase chlorine production dial to the "High" setting.
	Insufficient running times.	Increase the operating hours of the pool filtration pump and chlorine generator.
	Low stabiliser (cyanuric acid) level in pool water.	Add stabiliser to maintain a level of 30 – 60 ppm.
	pH too high.	Adjust pH level to 7.2 – 7.8.
	Temporary loss of chlorine due to heavy bather load, rain, organic matter.	Set the unit to run for a 24 hour period. Re-check and if still low take pool water sample to pool professional.
	Salt content below 3000ppm	Add additional salt to pool to bring salinity to 3000ppm (see Table 1).
	Calcified or clogged cell.	Remove cell from housing and clean (see section 10.3).
	High nitrates or phosphates in pool water.	Contact pool professional.
Metals present in pool water.	Contact pool professional.	
Low or no chlorine production.	Insufficient chlorine output.	Increase chlorine production dial to the "High" setting.
	Pump not running	Check that the pump is running correctly and the Cell Housing is filled with water.
	Salt Content below 3000ppm	Add additional salt to pool to bring salinity to 3000ppm (see Table 1).
	Calcified or clogged cell.	Remove cell from housing and clean (see section 10.3).
	Circuit breaker popped.	Reset circuit breaker by pressing the yellow reset button back in.
	Damaged Cell Cable.	Check that the Cell Cable has not been damaged.
	Cell Cable incorrectly connected to Power Module.	Check that Cable wires are correctly positioned (thin wire in middle position) at the junction box and ensure wires are firmly tightened.
	Dying Cell.	The Electrolytic Cell has come to the end of the "cell life" and is no longer producing chlorine at sufficient levels. Replace the Cell.

Water flow through cell is low.	Insufficient or no water flow through cell.	Check that the pump is operating correctly and turns on and off with the chlorine generator with the timer.
		Ensure that pump strainer baskets are not clogged.
		Check that all valves are opened correctly. Check for any blockages.
		Clean or backwash filter if dirty.
	Pump speed too low (for multi speed pumps)	Increase the pump speed to ensure consistent and sufficient water flow through the Cell Housing.

12.0 WARRANTY

Warranty Terms

- 12.0.1 Titanium Edition chlorine generators carry the following five year limited warranty should fault occur due to faulty manufacturing or materials, under normal use and service.
- 12.0.2 The manufacturer of Titanium Retro Edition, Compu Pool products, warrants the original purchaser that the equipment shall be free of manufacturer defects at the time of sale and upon examination, shall provide replacement parts or repair in accordance with the following schedule.
- 12.0.3 **Years 1 & 2.** Parts supplied from our facility or returned for repair to our facility at no cost. Compu Pool reserves the right to determine whether or not a part will be replaced with a new or refurbished part or repaired. For commercial use this applies to years 1 only.
- 12.0.4 **Years 3 to 5.** Parts supplied from our facility or returned for repair to our facility at 50% of published RRP of parts and repair labour. Compu Pool will cover the cost of return freight only. For commercial use this applies to years 2 to 5.

12.2 Void Warranty

- 12.2.1 The warranty may be void if the following occurs:
- 12.2.2 Damage to the unit beyond Compu Pool's control.
- 12.2.3 Damage due to improper pool chemistry, including if the salt content of the pool or spa is not maintained at all times between 2800ppm and 3200ppm.
- 12.2.4 Damage due to improper installation.

- 12.2.5 Damage due to failure to properly maintain unit, including if the Electrolytic Cell is not cleaned regularly or cleaned by any other method other than by method in this manual.
- 12.2.6 Damage caused by insects or natural elements.
- 12.2.7 The Chlorinator is connected to a power supply other than 240 volts AC - 50 HZ.
- 12.2.8 The water temperature of the pool or spa exceeds 45 degrees centigrade.
- 12.2.9 Damage due to improper service or if the Power Module or Cell is serviced by any person other than a person authorised to do so by Compu Pool Products or its agent.

12.3 Warranty Coverage

- 12.3.1 This warranty is applicable to workmanship and materials only and Compu Pool, its agents, employees, and affiliates expressly disclaim responsibility for loss, damage, or injuries to persons or property arising from failure, or installation of equipment.
- 12.3.2 In no event shall Compu Pool be responsible for any consequential, special or incidental damages of any nature whatsoever, including, but not limited to, personal injury, property damage, damage to or loss of equipment, lost profits or revenue, costs of renting replacements, and other additional expenses, even if the seller had been advised of the possibility of such damages.

12.4 Customer Warranty Information

- 12.4.1 Please complete the information below at time of installation and retain in the event you need to submit a warranty claim.

Retro Model	
Power Module Serial Number	
Cell Serial Number	
Purchase Date	
Purchased From	
Installation Date	
Installer	