



TORNADO INDUSTRIES, LLC
3101 WICHITA COURT
FORT WORTH, TX 76140
PHONE: 800-VACUUMS
FAX: 817-551-0719
WWW.TORNADOVAC.COM

Operations & Maintenance Manual
For Commercial Use Only



BD 26/14 AUTOMATIC SCRUBBER
MODEL NO: 99720

TABLE OF CONTENTS

WARRANTY	2
INSTRUMENT BOARD AND CONTROLS	3
MACHINE	3
PRODUCT SPECIFICATIONS	4
Model	4
INTRODUCTORY COMMENT	5
GENERAL RULES	5
SYMBOLS	5
BEFORE USE	6
Unpacking the machine	6
Battery installation and setting the battery type	6
Battery charger	6
BatterY recharging	6
BatterY disposal	6
BatterY charge level indicator	6
Hour meter	7
Squeegee assembly	7
Adjustment of the squeegee	7
Splash guard assembly	7
Brush assembly	7
Recovery tank	8
Detergent solution tank	8
FLOOR CLEANING	8
Connection of the batteries to the machine	8
Starting the machine	8
Forward movement	8
Working brake	8
Emergency brake	8
Adjustment of the brush pressure	9
Brush motor overload protection device	9
Overflow device	9
STOPPING THE MACHINE AFTER CLEANING OPERATION	9
DAILY MAINTENANCE	9
Recovery tank cleaning	9
Suction filter cleaning	9
Brush cleaning	9
Brush disassembly	9
Squeegee cleaning	10
WEEKLY MAINTENANCE	10
Rear squeegee rubber replacement	10
Squeegee hose cleaning	10
Cleaning solution tank and filter	10
TWO-MONTHLY MAINTENANCE	10
Front squeegee rubber replacement	10
SIX-MONTH MAINTENANCE	11
Splash guard replacement	11
Checking the brake	11
TROUBLESHOOTING GUIDE	11
Signals on the display	11
The Vacuum motor does not work	11
The brush motor does not work	11
The traction motor does not work	11
Insufficient water on the brushes	12
Machine does not clean properly	12
Squeegee does not dry properly	12
Excessive foam production	12



Long Term Buyer Protection Limited Warranty

Tornado Industries, LLC. (Tornado) warrants to the end/user customer that the Tornado product(s) will be free from defects in material and workmanship for the duration(s) described below. This limited warranty DOES NOT cover machines and/or components subject to normal wear and tear, damage that occurs in shipping, failures resulting from modification, accident, unsuitable operating environment, misuse, abuse, neglect, or improper maintenance by you. For full details, contact your Authorized Tornado Distributor, Service Center, or the Tornado Technical Service Department. Tornado sales and service representatives are not authorized to waive or alter the terms of this warranty, or to increase the obligations of Tornado under the warranty.

10 Years*

Plastic water tanks and Rotationally-molded bodies

2 Years*

Parts on all Tornado cleaning equipment

1 Year*

Labor on all Tornado cleaning equipment

1 Year*

Warranty on batteries, one year prorated

All battery warranties are handled directly by the battery manufacturer, on a one year prorated basis

Terms subject to change without notice

1. Except all Windshears™ Blowers, Storm, TV2SS, Side and Downdraft, Insulation Blowers, CV 30, CV 38, CK14/1 PRO, CK 14/2 PRO, SWM 31/9, CK LW13/1, CK LW 13/1 ROAM, CV 38/48 Dual, PV6, PV10, PV6 ROAM, Wall Mount Vacuum and all chargers are warranted for 1 (one) year for both parts and labor.
2. All non-wear item parts purchased after warranty expiration are warranted for 90 days.
3. Warranty starts from the date of sale to the consumer or, at Tornado's discretion, 6 months after the dealer purchased the unit from Tornado, whichever comes first.
4. The EB 30 is warranted for a period of 90 days for both parts and labor.
5. The warranty on engines used on propane powered equipment is limited to motor manufacturer's warranty.
6. Ride-on Scrubbers are warranted for 24 months, parts, 6 months labor or 1,000 hours, whichever occurs first.

Note: Tornado, The Latest Dirt, Floorkeeper, Carpetkeeper, Carpetrinser, Carpetrinser/Dryer, Headmaster, Taskforce, PAC-VAC, T-Lite, Glazer, Windshear, Max-Vac and Trot-Mop are trademarks of Tornado Industries

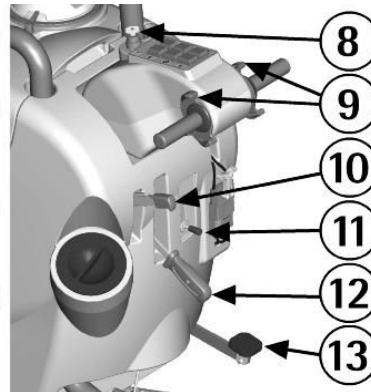
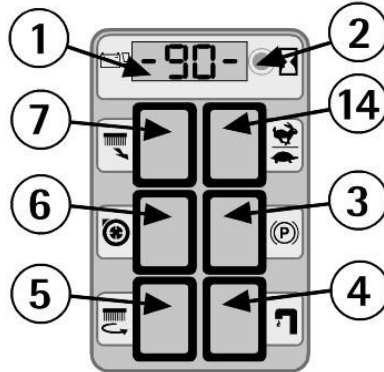
Website: www.tornadovac.com
Phone 1-800-VACUUMS
Fax 817-551-0719
Address 3101 Wichita Court
Fort Worth, TX 76140



INSTRUMENT BOARD AND CONTROLS

- 1. DISPLAY: CHARGE LEVEL, BATTERIES/HOUR METER
- 2. PUSH BUTTON: VISUALIZATION HOUR METER (DISPLAY)
- 3. SIGNAL LAMP: BRAKE ON
- 4. SIGNAL LAMP: SOLUTION VALVE OPEN
- 5. BRUSH MOTOR SWITCH
- 6. SUCTION MOTOR SWITCH
- 7. PUSH BUTTON: BRUSH RELEASE

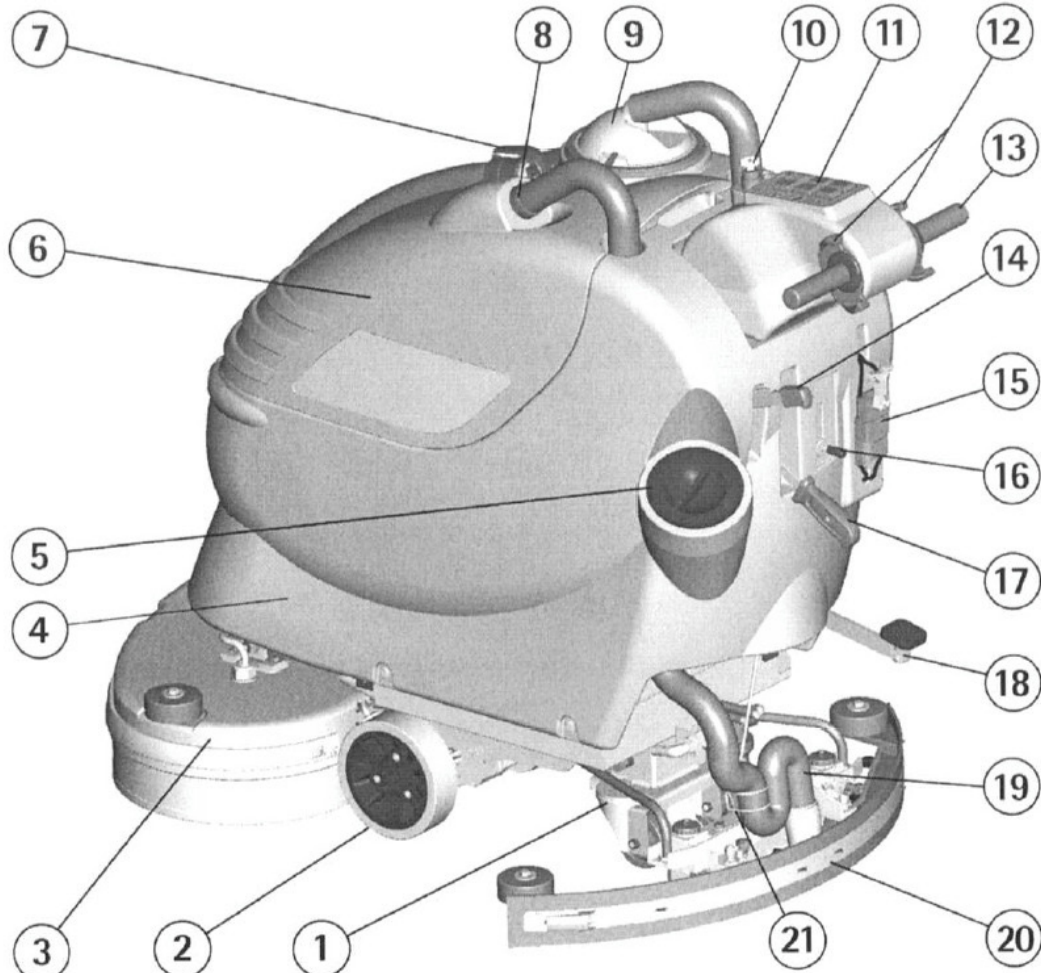
- 8. SWITCH WITH KEY
- 9. DRIVE CONTROL LEVERS
- 10. PARKING / EMERGENCY BRAKE LEVER
- 11. SOLUTION VALVE LEVER
- 12. SQUEEGEE LIFTING LEVER
- 13. BRUSH BASE LIFTING PEDAL
- 14. SWITCH SPEED SELECTION



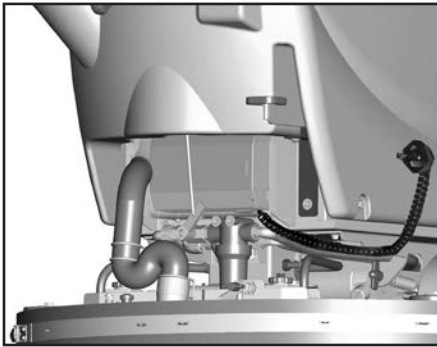
MACHINE

- 1. CASTER WHEELS
- 2. WHEELS
- 3. BRUSH BASE
- 4. SOLUTION TANK
- 5. SCREW CAP FOR INLET DETERGENT SOLUTION
- 6. RECOVERY TANK
- 7. PLUG EXHAUST HOSE RECOVERY TANK
- 8. INLET OPENING SQUEEGEE HOSE
- 9. SUCTION COVER
- 10. SWITCH WITH KEY

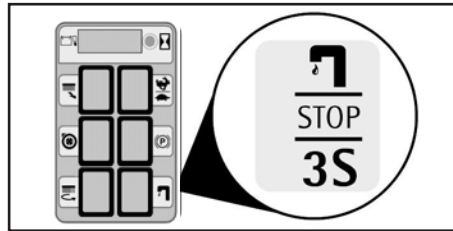
- 11. INSTRUMENT BOARD
- 12. DRIVE CONTROL LEVERS
- 13. HANDLE BARS
- 14. PARKING / EMERGENCY BRAKE LEVER
- 15. BATTERY CONNECTOR
- 16. SOLUTION VALVE LEVER
- 17. SQUEEGEE LIFTING LEVER
- 18. BRUSH BASE LIFTING PEDAL
- 19. SQUEEGEE HOSE
- 20. SQUEEGEE ASSEMBLY
- 21. SPRING SQUEEGEE HOSE GUIDE



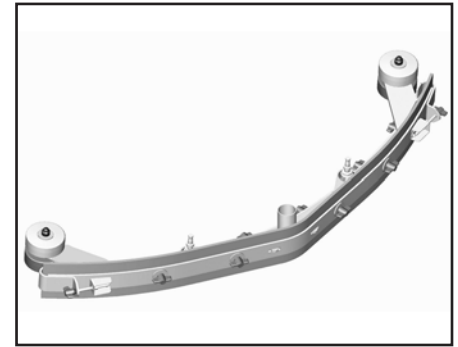
OPTIONAL ACCESSORIES



Incorporated battery charger.



Solution Saving System Assembly (3S).



Squeegee "V"-type

TECHNICAL DESCRIPTION	U/M	BD26/14
Cleaning width	mm/in	660/26
Squeegee width	mm/in	850/34
Working capacity, up to	sqm/h/sqft/h	3000/32,292
Brushes diameter	mm/in	2x345/13
Brushes rpm	rpm	200
Pressure on the brushes	kg/lbs	50/110 max
Brushes motor	W/A	800/33
Traction motor	W/A	180/7.5
Type of drive		autom.
Movement speed 1	km/h/mph	3.2/2
Movement speed 2	km/h/mph	4.5/2.8
Maximum gradient		10%
Suction motor	W/A	570/24
Suction vacuum	Mbar/in water lift	120/48
Solution tank	l/Gallons	53/14
Recovery tank	l/Gallons	56/15
Machine length	mm/in	1360/54
Machine height	mm/in	1098/43
Machine width (without squeegee)	mm/in	720/28
Capacity of the batteries	V/Ah5h	24/180
Weight of the batteries	Kg/lbs.	144/318
Compartment of the batteries	mm/in	390x405x374/15x16x15
Weight of the machine (empty and without batteries)	Kg/lbs	111/225
Acoustic pressure level (in conformity with IEC 704/1)	dB(A)	67
Level of vibration	m/sqs	0,45
Class		III
Protection level	IP	X3
Tension	V	24

INTRODUCTORY COMMENT

Thank you for choosing our machine. This floor-cleaning machine is used for industrial and commercial cleaning and is able to clean any type of floor. During its forward movement, the action of the brush and the detergent solution removes the dirt, which is picked up by the suction system, resulting in a dry surface.

The machine must be used only for this purpose. It gives the best performance when it used correctly and maintained properly. Therefore, we ask that you read this instruction booklet carefully whenever difficulties arise in the course of the machine's use. If needed, please contact our service department for advice and/or service.

GENERAL RULES

The rules below have to be followed carefully in order to avoid damage to the machine and injuries to the operator.

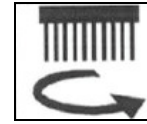
- Read the labels carefully on the machine. Do not cover them for any reason and replace them immediately if damaged.
- The machine must be used exclusively by authorized staff that has been instructed for its use.
- When using the machine, pay attention to other people, especially children.
- In case of danger, immediately use the emergency brake.
- To park the machine, take off the key and put on the parking brake.
- Do not mix different detergents to avoid harmful odors.
- Do not place any liquid containers onto the machine.
- The storage temperature has to be between -13°F and +131°F.
- The operating temperature should be between 32°F and 104°F.
- The humidity should be between 30 and 95%.
- Do not use the machine in an explosive atmosphere.
- Do not use the machine as a means of transportation.
- Do not use acidic solutions, which could damage the machine and/or injure people.
- Do not use the machine on surfaces covered with flammable liquids or dust (for example hydrocarbons, ashes or soot).
- In case of fire, use a powder fire-extinguisher. Do not use water.
- Watch out for shelves and/or scaffoldings when operating the machine.
- Use the appropriate speed based on floor conditions (type of floor, dirtiness, etc.).
- Do not use the machine on areas that have a higher gradient than the one stated on the number plate.
- The machine has to carry out simultaneously the operations of washing and drying. Different operations must be carried out in restricted areas prohibited to non-authorized personnel.
- Signal the areas of moist floors with suitable signs.
- If the machine does not work properly, check by conducting simple maintenance procedures. Otherwise, contact an authorized technical assistant for advice.
- When parts are required, ask for ORIGINAL spare parts from the distributor or an authorized dealer.
- Use only ORIGINAL brushes.
- When cleaning and performing maintenance operations, disconnect the power supply plug from the machine.

- Do not wash the machine with corrosive material, direct water jets or high water pressure.
- Every 200 working hours, have the machine checked by an authorized service center.
- In order to avoid scales on the solution tank filter, do not fill the detergent solution hours before it is used.
- Before using the machine, check that all panels and coverings are in position as indicated in this use and maintenance catalog.
- Be sure the recovery tank is empty before lifting it.
- Restore all electrical connections after any maintenance operation.
- When your machine has to stop activity, provide the appropriate waste disposal for its materials, especially oils, battery and electronic components. Consider that the machine itself has been constructed by recyclable materials.

SYMBOLS



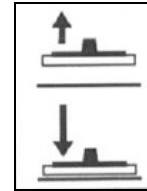
Symbol denoting the solution valve. Indicates the solution valve lever. Indicates the signal lamp of the solenoid valve functioning.



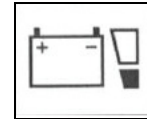
Symbol denoting the brush. Indicates the switch of the brush motor.



Symbol denoting the vacuum motor. Indicates the switch of the vacuum motor.



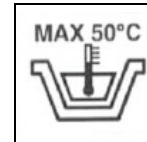
Symbol denoting up-down of the squeegee. Indicates the squeegee lever.



Symbol denoting the charge level of the batteries.



Symbol denoting the hour meter.



Indication of the maximum temperature of the solution detergent. It is placed near the charging hole of the solution tank.



Symbol denoting the brake. Indicates the signal lamp of the brake on.



Symbol denoting the brake. Indicates the lever of the emergency and parking brake.



Symbol denoting the brush release. Indicates the push button used to release automatically the brushes.



Symbol denoting the open book. Indicates that the operator has to read the manual before the use of the machine.



Warning symbol. Read carefully the sections marked with this symbol, for the security of both the operator and the machine.

BEFORE USE

HANDLING OF THE PACKED MACHINE

The machine is supplied with suitable packing foreseen for fork lift truck handling.
The total weight is:

136 kg/300 lbs.

Packing dimensions:

140 cm x 75 cm (55 in x 30 in)
Height 120 cm (48 in)

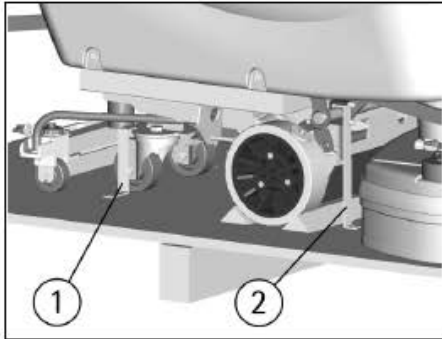


ATTENTION:

Do not place more than 2 packings on top of each other.

UNPACKING OF THE MACHINE

1. Remove the external packing.
2. Unscrew the brackets (1+2) that secure the machine to the pallet.
3. Move the machine backwards, as indicated in the figure, avoiding heavy contacts to mechanical parts.
4. Keep the pallet and the brackets for eventual transport.



BATTERY INSTALLATION AND SETTING OF THE BATTERY TYPE

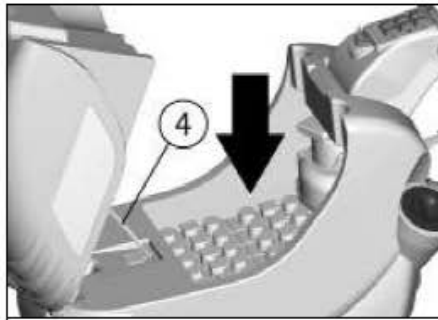
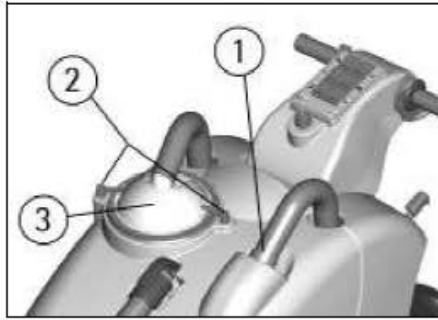
This machine is equipped either with two batteries at 12V in serial connection or elements of DIN-type assembled together and connected in series for a total of 24 Volt, placed in its appropriate compartment under the recovery tank and must be handled using suitable lifting equipment (due to weight, considering the type of batteries chosen, and coupling system).

The batteries must be in accordance with CEI 21-5 Norms.

For batteries installation proceed as follows:

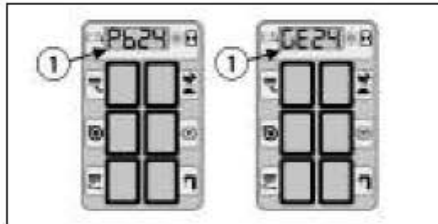
1. Take off the squeegee hose (1).
2. Take off the suction cover (2) after turning the blocking levers (3).
3. Lift the recovery tank by rotating it and fix it with the suitable bar (4).
4. Place the batteries in its compartment.

5. Connect the terminals, respecting the polarities, avoiding contact with other parts that could create short circuit.
6. Reassemble all parts.



ATTENTION:

The machine and its battery check card foresee the use of traditional lead batteries.
CHECK SETTING OF THE CHECK CARD ON THE INDICATOR (1).
In case of GEL batteries installation, it is necessary to set the battery check card. Please contact the authorized technical assistance.



ATTENTION:

Strictly follow manufacturer/distributor indications for the maintenance and recharge of the batteries. All installation and maintenance operations must be executed by specialized staff, using suitable protection accessories.

BATTERY RECHARGER

Be sure that the battery recharger is suitable for the installed batteries both for their capacities and type (lead/acid or GEL and equivalent).

In the plastic bag containing the use and maintenance you will find the coupling connector for the recharger. It must be assembled onto the cables of your recharger, following the instructions given by the manufacturer.



ATTENTION:

This operation must be carried out by qualified staff. A wrong or faulty cable connection can create serious damages to persons or things.

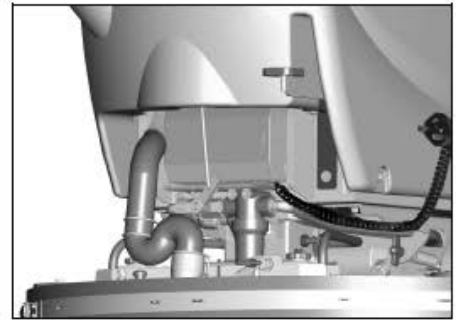
INCORPORATED BATTERY RECHARGER (OPTIONAL)

If the machine is equipped with the incorporated battery recharger (see under "OPTIONAL ACCESSORIES") please refer to the instructions of the constructor of this accessory what the recharging operations concern.

The battery recharger is connected directly to the battery poles.

During the recharging operations a device is activated which does not permit the machine's functioning.

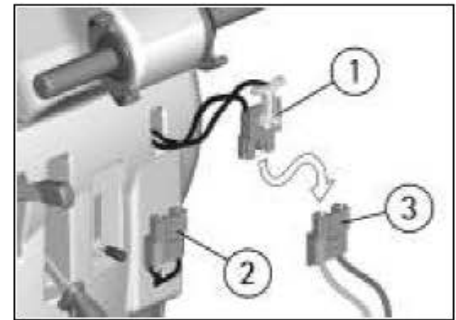
The mains cable of the battery recharger has a maximum length of two metres (6.5 ft.) and must be connected to a single-phase socket type CEE 7/7.



BATTERIES RECHARGING

Bring the machine on a levelled surface.

1. Plug in batteries connector (1) placed in the rear part of the machine, to the connector (3) of the battery recharger.
2. Proceed to the recharging keeping the tank lifted (see under paragraph "BATTERY INSTALLATION AND SETTING OF THE BATTERY TYPE" in "BEFORE USE").
3. Maintain the connection with the battery recharger until the indication of the end of charge is not visualized.



BATTERIES RECHARGING WITH ON-BOARD CHARGER (OPTIONAL)

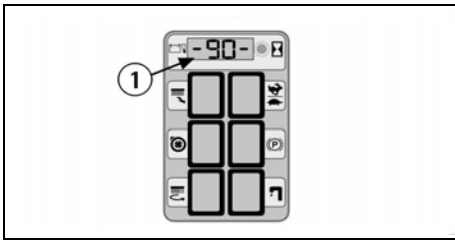
Bring the machine on a levelled surface near to a single-phase socket with tension 120V, frequency 60Hz, nominal current 10A.

Switch off the switches of the brushes motor and the suction motor.

1. Insert the plug into the mains socket.
2. Proceed to the recharging keeping the tank lifted (see under paragraph "BATTERY INSTALLATION AND SETTING OF THE BATTERY TYPE" in "BEFORE USE").
3. Do not take off the plug from the mains socket until the indication of the end of charge is not visualized.

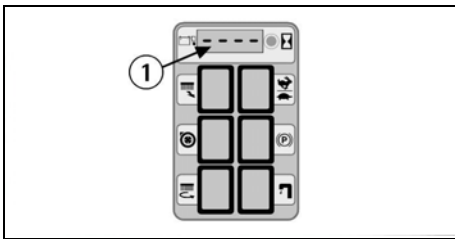
At the end of the recharging, take off the plug from the mains socket.

The battery charge level indicator (1) is digital and indicates the percentage of the battery charge. 90 is the maximum charge, down to a minimum of 10, indicating every 10% decrease. When the charge level reaches 20%, the display starts blinking indicating the end of the battery charge.



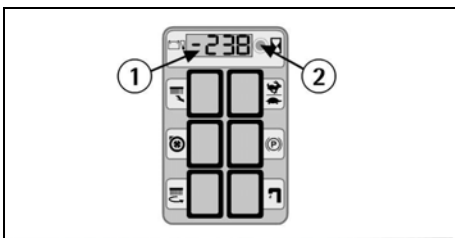
⚠ ATTENTION:

After a few seconds from the blinking of the four lines, the brush motor stops automatically. It is possible to finish the drying operation before proceeding to the recharge.



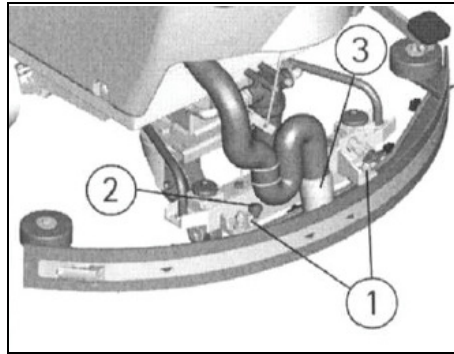
HOURLY METER

The machine is equipped with an hour meter located on the same display as the battery charge level indicator (1). Keep the button (2) pressed for more than 3 seconds, the first data indicates the working hours and after a few seconds the working minutes are shown.



SQUEEGEE ASSEMBLY

With the squeegee support slightly lifted from the floor, slide the two stud bolts (1) placed on the upper part of the squeegee inside the slots on the support. Block the squeegee by rotating the lever (2) clockwise. Insert the squeegee hose (3) into the coupling, as indicated in the figure.



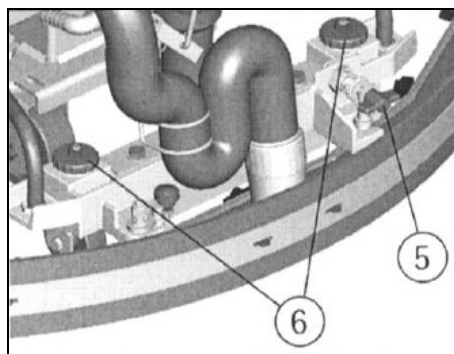
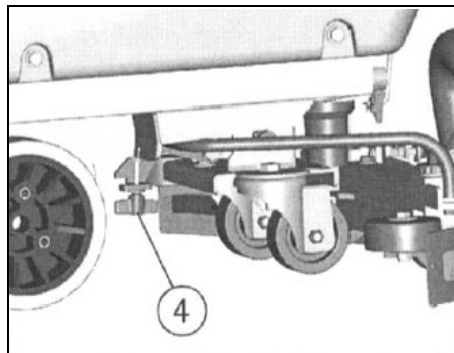
ADJUSTMENT OF THE SQUEEGEE

In order to have better drying results with the squeegee, the rear rubber must have its lower bending uniformly adjusted in all its length. For squeegee adjustment, use the instructions below:

Adjusting the bend: lower part of the rubber
Adjust the pressure by rotating the wing nut (4). To increase: rotate clockwise. To decrease: rotate counter-clockwise.

The bending is not uniform
Adjust the squeegee inclination by rotating counter-clockwise the wing nut (5) to increase the bending in the central part, and clockwise to increase the bending on the extremities.

Height adjustment
Once the pressure and inclination of the squeegee has been adjusted, make sure that the wheels slightly touches the floor. To adjust, rotate the registers counter-clockwise (6) to lower the wheels or clockwise to raise them. Both wheels must be adjusted in the same measure.



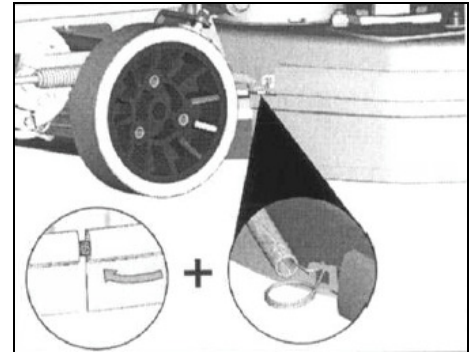
⚠ ATTENTION:

Every type of floor requires a specific adjustment. For example, concrete floors (where the friction is high) need little pressure, while smooth floors (like ceramics) need higher pressure.

If the cleaning operations are made on the same type of floor, adjust according to rubber wear.

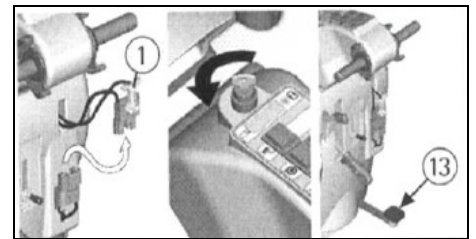
SPLASH GUARD ASSEMBLY

The two splash guards have to be assembled onto the brush base. Insert the metal strips inside the slots on the rubber. Place the round hole at the flat extremity of the strip onto the screw placed in the front part of the brush base. Secure the strips through the nut that blocks it. Hook the spring in the rear part of the brush base to the slot placed at the extremity of the metal strip. Please follow above instructions for both the splash guard rubbers. Minimize the gap between the two rubbers in the front part of the brush base. With brushes assembled, the splash guard must slightly touch the floor.



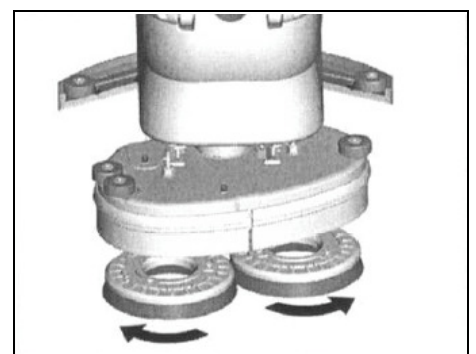
BRUSH ASSEMBLY

1. Take off the electric supply to the brush motor unplugging the battery connector (1). Turn the key counter-clockwise.
2. Lift the brush base by pressing the pedal (13).



3. With the brush base lifted, insert the brushes into their plate underneath the brush base. Turn them until the three metal buttons are properly seated in their slots; rotate the brushes to push the button towards the coupling spring until they get blocked.

The figure shows the rotation of the brush couplings.



To obtain longer brush life, rotate them regularly. Whenever brushes are deformed, we suggest reassembling them in the same position, avoiding the different inclination of the bristles causing excessive motor overload or troublesome vibrations.



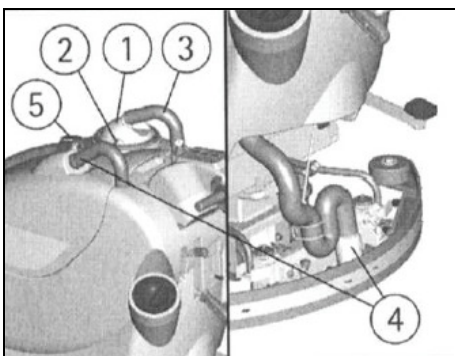
⚠ ATTENTION:
Carrying out brush assembly operations with the electric supply on may cause damages to hands.

⚠ ATTENTION:
Use only the brushes supplied with the machine. The use of other brushes may damage the machine.

RECOVERY TANK

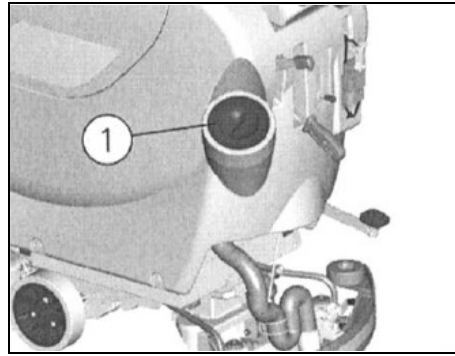
Check that the cover of the suction filter (1) is correctly secured. After rotating the levers (2), check that the suction motor hose is correctly connected.

Verify that the squeegee hose (4) is correctly inserted into the seats and that the exhaust hose plug (5) placed in the front part of the machine is closed.



DETERGENT SOLUTION TANK

The capacity of the detergent solution tank is indicated in the technical data. Open the screw plug (1) placed in the rear left part of the machine and fill the detergent solution tank with clean water at a maximum temperature of 122°F. Add the liquid detergent in the percentage and conditions specified by the manufacturer. To avoid excessive foam presence, which could cause problems to the vacuum motor, use the minimum percentage of detergent. Screw down the plug to close the tank.

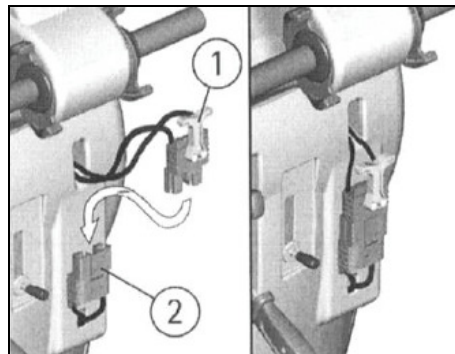


⚠ ATTENTION:
Always use low foam detergent. To avoid foam presence, pour into the recovery tank a minimum quantity of anti-foam product before starting the operation.
Never use pure acid.

FLOOR CLEANING

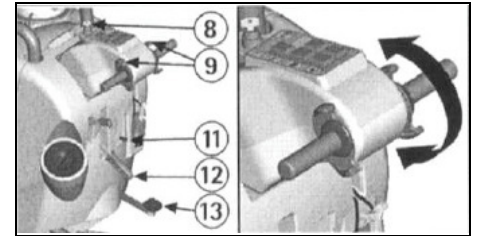
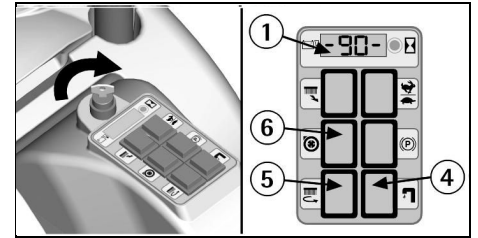
CONNECTION OF THE BATTERIES TO THE MACHINE

Plug in the battery connector (1) to the machine connector (2), placed in the rear of the machine.



STARTING THE MACHINE

1. Turn the key (8) clockwise.
2. Check the battery type and the charge level on the display (1).
3. Press the brush motor switch (5).
4. Press the vacuum motor switch (6).
5. Press the brush base lifting pedal (13) to lower the brush base.
6. Pull the solution valve lever (11) to open and adjust the solution detergent flow. On the instrument board, the indicator of the open solution valve (4) will turn on. The water starts to flow automatically when the control drive levers are rotated (9). Releasing these levers will stop the flow automatically.
7. Using the squeegee lifting lever (12) lower the squeegee.
8. Push the drive control levers (9) to move the machine, the brushes start to rotate and the squeegee starts to dry.
9. Make sure that the detergent solution flow and drying are working properly. Always consider that the correct quantity of solution detergent depends on type of floor, dirtiness and machine speed.

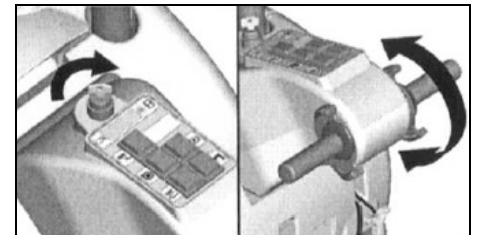


FORWARD MOVEMENT

The traction of the machine is given through an electronically controlled motor.

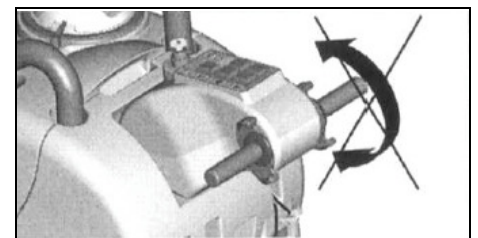
To move the machine, turn the key (8) and rotate the drive control levers (9) placed on the handle bar. The speed of the machine can be adjusted by the degree of the turn that is applied to the drive control levers. When in reverse, the speed of the machine is reduced.

⚠ ATTENTION:
Moving the machine backwards, make sure that the squeegee is lifted.



WORKING BRAKE

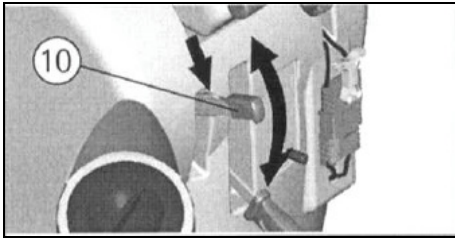
To stop the machine, release the drive control levers (9). The machine is equipped with an electronic braking system. The brushes and the detergent solution flow stop automatically.



EMERGENCY BRAKE

In case of an emergency, immediately stop the machine by pushing the lever of the emergency and parking brake (10) downwards.

⚠ ATTENTION:
This control blocks the machine immediately. The emergency brake functions also as a parking brake. To start again, release the lever by unblocking the parking button on the lever.

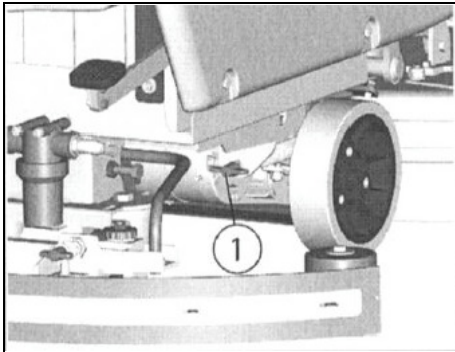


ADJUSTMENT OF THE BRUSH PRESSURE

Through the register (1) you may adjust the brush pressure on the cleaned surface. By turning the wing nut clockwise the pressure increases, rotating the wing nut counter-clockwise, the pressure decreases. This device allows a more efficient cleaning action especially on difficult and dirty surfaces.

⚠ ATTENTION:

In order not to overload the brush motor, it is convenient to reduce the brush pressure going from smooth floors to rough ones (ex. concrete).

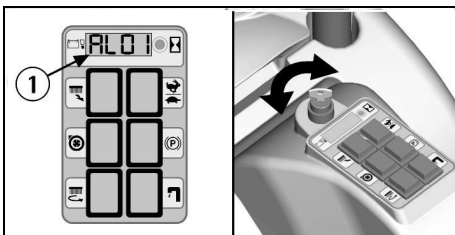


BRUSH MOTOR OVERLOAD PROTECTION DEVICE

The presence of a protective device indicating the overload is activated on the display showing the malfunction with "AL01". Check the pressure regulation as indicated in the previous paragraph and adjust the brush pressure.

⚠ ATTENTION:

To restore the functioning of the brush motor, turn off the machine restart it.



OVERFLOW DEVICE

In order to avoid serious damages to the vacuum motor, the machine is equipped with a float that intervenes when the recovery tank is full, closing the suction hose and stopping the suction.

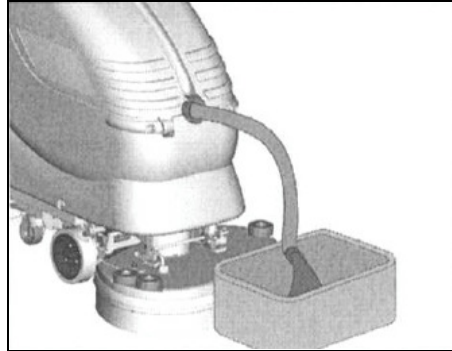
When this happens, empty the recovery tank:

1. Hold the exhaust hose placed in the front part of the machine.

2. Take off the exhaust plug by pulling its lever. Empty the recovery tank into appropriate containers, according to the standard norms.

⚠ ATTENTION:

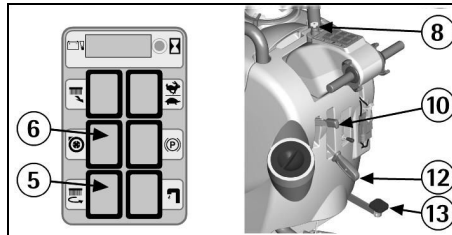
This operation must be carried out using gloves to protect contact from dangerous solutions.



STOPPING THE MACHINE AFTER CLEANING OPERATION

Before executing any type of maintenance:

1. Turn the brush motor switch off (5).
2. Turn the vacuum motor switch off (6).
3. Lift the brush base by pressing the pedal (13).
4. Lift the squeegee using the lever (12).
5. Bring the machine to an appropriate place for draining tanks.
6. Turn the key (8) counter-clockwise.
7. Put on the parking brake (10).



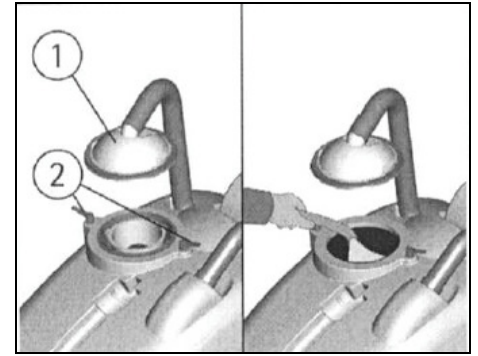
DAILY MAINTENANCE

RECOVERY TANK CLEANING

1. Hold the exhaust hose placed in the front part of the machine.
2. Take off the exhaust plug using its lever and empty the recovery tank into appropriate containers.
3. Take off suction cover (1) after rotating the blocking levers (2).
4. Take off the filter and filter protection.
5. Rinse the tank with water jet.

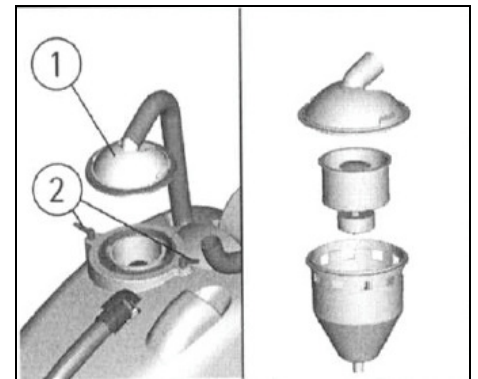
⚠ ATTENTION:

This operation must be carried out using gloves to protect contact from dangerous solutions.



SUCTION FILTER CLEANING

1. Take off suction cover (1) after rotating the blocking levers (2).
2. Take off the filter and filter protection.
3. Clean all parts with water jet especially inside surfaces and filter bottom.
4. Carry out cleaning operations carefully.
5. Reassemble all parts.



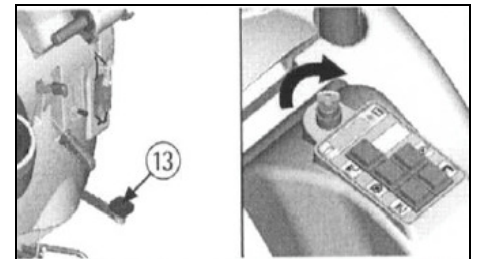
BRUSH CLEANING

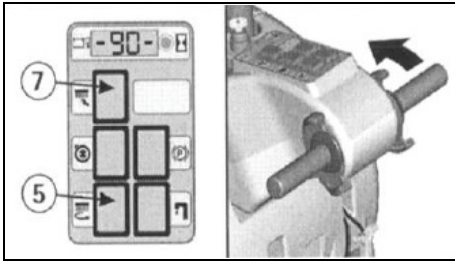
Disassemble the brushes and clean them with a water jet (check "BRUSH DISASSEMBLY" paragraph").

BRUSH DISASSEMBLY

The machine is equipped with an automatic device for the brush disassembly.

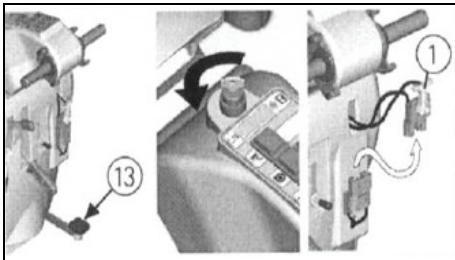
1. Lift the brush base by stepping on the pedal (13).
 2. Turn the key clockwise.
 3. Press the switch of the brush motor (5).
 4. Keep the brush release button (7) pressed, on the drive control.
- The brush will rotate for a few seconds and drop to the floor.



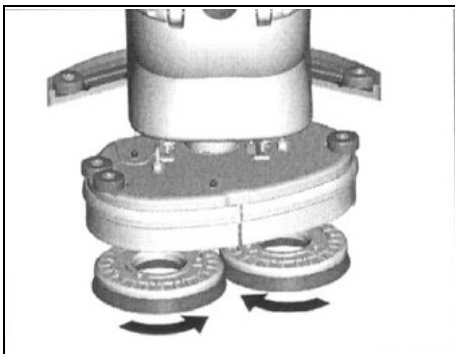


If the brushes are disassembled manually, proceed as follows:

1. Lift the brush base by stepping on the pedal (13).
2. Turn the key counter-clockwise.
3. Take off the electric supply to the brush motor by unplugging the battery connector (1).



4. With the brush base lifted, rotate the brush until it is released from the brush holder plate as indicated in the figure. The figures show the direction the brushes must be rotated.



⚠ ATTENTION:

During the operation of AUTOMATIC disassembly, make sure that there are no persons or objects near the brushes. Carrying out MANUAL brush disassembly operations with the electric supply on may cause injuries.

⚠ ATTENTION:

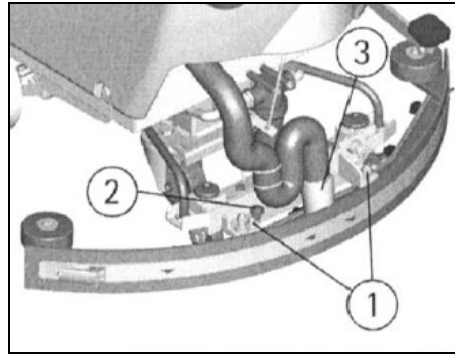
The handling of the brush operation must be carried out using suitable gloves to protect hands from both contact with the bristles and the chemical risk of with dangerous solutions.

SQUEEGEE CLEANING

Keeping the squeegee clean produces the best drying action.

For cleaning it is necessary to:

1. Take off the squeegee hose (3) from the coupling.
2. Disassemble the squeegee from the support by rotating the lever (2) counter-clockwise, sliding the stud bolts (1) in their slots.
3. Clean the internal part of the squeegee inlet eliminating dirt residuals.
4. Clean the squeegee rubbers.
5. Reassemble all parts.



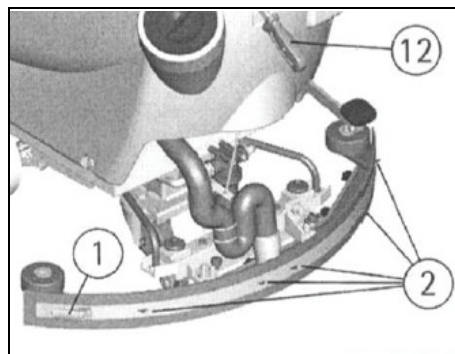
WEEKLY MAINTENANCE

REAR SQUEEGEE RUBBER REPLACEMENT

Regularly check the squeegee rubber wear.

For replacement, it is necessary to:

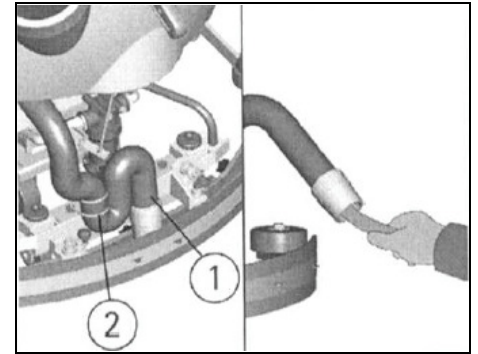
1. Lift the squeegee by pulling the lever (12).
2. Release the hook (1) of the rubber holder blade and take the rubber off.
3. Turn the rubber to a new side or replace it. To reassemble the squeegee repeat in reverse the mentioned above. Inserting the rubber on the guides (2) and blocking it with the rubber holder blade.



SQUEEGEE HOSE CLEANING

In case of a weak suction, check that the squeegee hose is not obstructed. To clean it, proceed as follows:

1. Take off the hose from the squeegee coupling (1) and release the guide spring of the squeegee hose (2).
2. Wash the inside of the hose with a water jet, from the squeegee hose side.
3. To reassemble the hose repeat the instructions mentioned above in reverse.

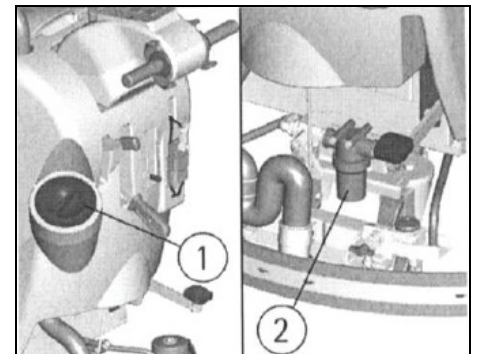


CLEANING SOLUTION TANK AND FILTER

1. Bring the machine to an appropriate place for draining tanks.
2. Unscrew the solution tank cap (1).
3. Unscrew the exhaust plug (2).
4. Rinse with a water jet the solution tank.
5. Rinse the solution tank filter placed inside the exhaust plug (2).
6. Reassemble all parts.

⚠ ATTENTION:

This operation must be carried out using gloves to protect from contact with dangerous solutions.



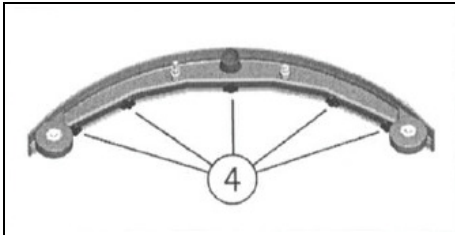
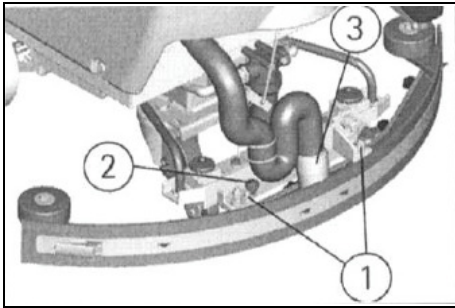
TWO-MONTHLY MAINTENANCE

FRONT SQUEEGEE RUBBER REPLACEMENT

Check the wear of the squeegee rubber.

For replacement, see below:

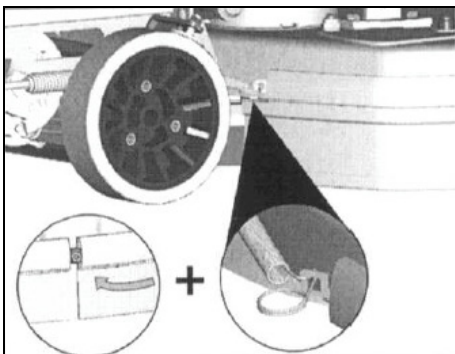
1. Take off the squeegee hose (3).
2. Disassemble the squeegee from the support by rotating the levers (2) counter-clockwise and by sliding the stud bolts (1) in their slots.
3. Unscrew the wing nuts (4) in the front part of the squeegee.
4. Take off the rubber holder blade.
5. Replace the front rubber.
6. Reassemble all parts.



SIX-MONTH MAINTENANCE

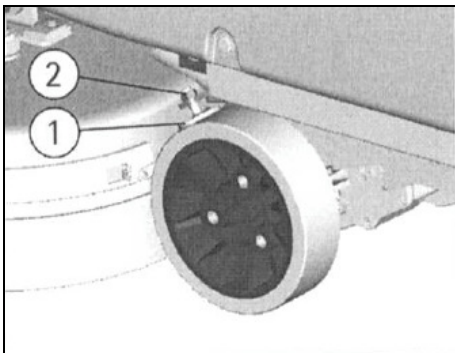
SPLASH GUARD REPLACEMENT

1. Release the spring in the rear part of the brush base group from the slot placed at the extremity of the metal strip.
2. Replace the splash guard rubbers and follow assembly instructions at "SPLASH GUARD ASSEMBLY" paragraph. With brushes assembled, the splash guard must slightly touch the floor.



CHECKING THE BRAKE

Make sure that both pads (1) are no more than .12 in from the wheels. If necessary, adjust them through the fixing nuts (2).



TROUBLESHOOTING GUIDE

All other machine operations are to be checked by an authorized technical assistant.

SIGNALS ON THE DISPLAY

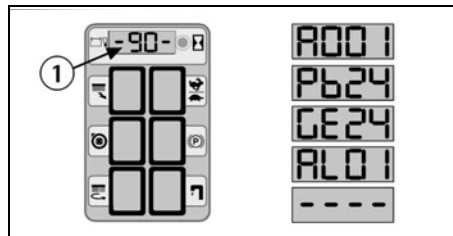
A001: Indication of the version of the electronic check card (the last number indicates the revision of the check card).

Pb24: Indication battery check card set for lead batteries.

GE24: Indication battery check card set for WET batteries.

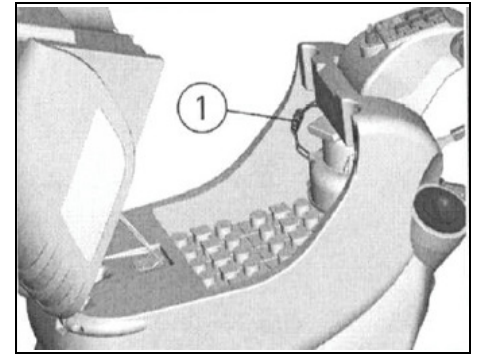
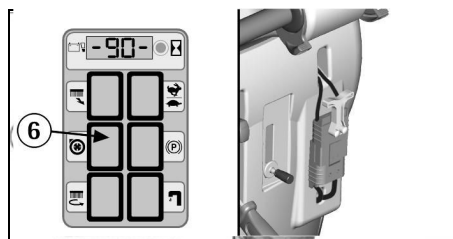
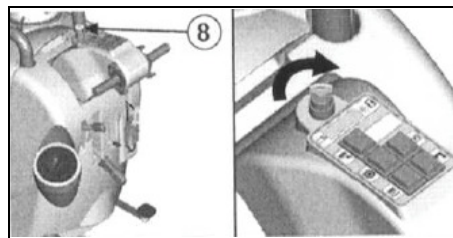
AL01: Signal indicating absorption of excessive current of the brush motor.

---- (blinking): signal indicating the discharged batteries and intervention of the brushes stop device.



THE VACUUM MOTOR DOES NOT WORK

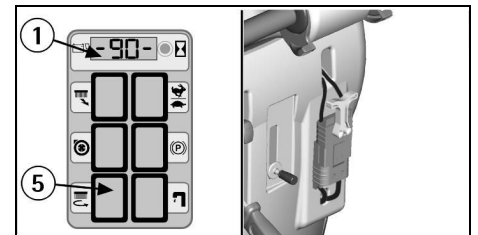
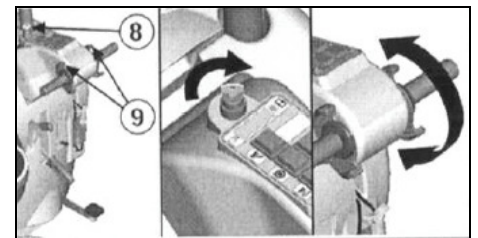
1. Verify the key switch (8) is in the correct position.
 2. Check the charge level of the batteries.
 3. Check that the battery connector is correctly plugged in.
 4. Verify that the switch (6) is on.
 5. Check that the red connector of the vacuum motor (1) is correctly plugged in.
- If the problem persists, please contact an authorized technical assistant.



THE BRUSH MOTOR DOES NOT WORK

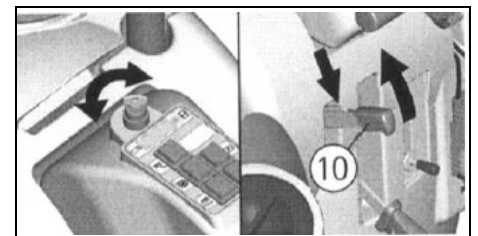
1. Verify the key switch (8) is in the correct position. Switch off and restart the machine.
2. Check the charge level of the batteries.
3. Check that the battery connector is correctly plugged in.
4. Verify that the switch (5) is on.
5. Rotate the drive control levers (9).
6. Check the display (1) to see that the alarm "AL01" (brushes motor overload alarm) does not appear.

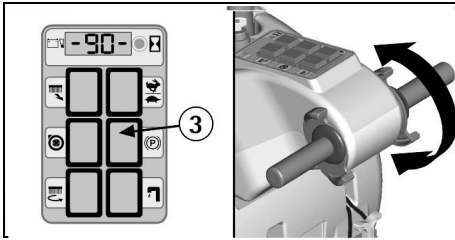
If the problem persists, please contact an authorized technical assistant.



THE TRACTION MOTOR DOES NOT WORK

1. Switch off and restart the machine.
 2. Release the brake (10) till the signal lamp (3) comes off.
 3. Rotate the drive control levers.
- If the problem persists, please contact an authorized technical assistant.

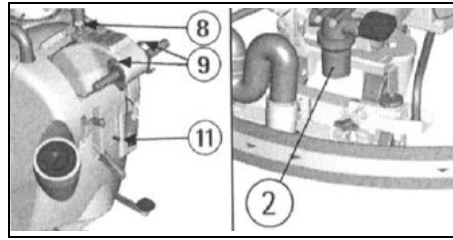




INSUFFICIENT WATER ON THE BRUSHES

1. Check that the solution valve lever (11) is open.
2. Check the level of the liquid in the solution tank.
3. Check that the solution filter (2) is clean.
4. The machine is equipped with solenoid valve, therefore rotate the drive control levers (9).

If the problem persists, please contact an authorized technical assistant.



MACHINE DOES NOT CLEAN PROPERLY

1. The brushes do not have the suitable bristle dimension: contact an authorized technical assistant.
2. The brushes have got worn bristles. Check the brushes wear condition and replace them (the brushes have to be replaced when the bristles have reached a height of about .6 in). To replace brushes, see instructions at paragraph "BRUSHES DISASSEMBLY" and "BRUSHES ASSEMBLY".
3. The solution detergent is insufficient: open the solution valve more.

4. Check that the liquid detergent is in the recommended percentage.
 5. Increase the brush base pressure (see at paragraph "ADJUSTMENT OF THE BRUSH PRESSURE").
- Contact an authorized technical assistant for advice.

SQUEEGEE DOES NOT DRY PROPERLY

1. Check that the squeegee rubbers are clean.
2. Check the height and the inclination of the squeegee. (see section "ADJUSTMENT OF THE SQUEEGEE" in "BEFORE USE").
3. Check that the suction hose is correctly inserted in the proper seat on the recovery tank.
4. Clean the suction filter.
5. Replace the rubbers if worn out.
6. Check that the vacuum motor switch is on.

EXCESSIVE FOAM PRODUCTION

Check that low foam detergent has been used. Add small quantities of anti foam liquid into the recovery tank.

Please be aware that a bigger quantity of foam is produced when the floor is not dirty. In this case please dilute detergent solution.

PROGRAMMED MAINTENANCE

INTERVENTION	DAILY	20 HOURS *	200 HOURS *	1000 HOURS *
RECOVERY TANK CLEANING	•			
SUCTION FILTER CLEANING	•			
SOLUTION TANK FILTER CLEANING		•		
BRUSH CLEANING	•			
BRUSH DISASSEMBLY	•			
SQUEEGEE CLEANING	•			
FRONT SQUEEGEE RUBBER REPLACEMENT			•	
REAR SQUEEGEE RUBBER REPLACEMENT		•		
SPLASH GUARD RUBBER REPLACEMENT				•
CHECK SQUEEGEE ADJUSTMENT		•		
SQUEEGEE HOSE CLEANING		•		
SOLUTION TANK CLEANING		•		
CHECK BATTER ELECTROLYTE		•		
CHECK THE BRAKE				•
TRACTION MOTOR CHECK				•
BRUSHES MOTOR CHECK				•
VACUUM MOTOR CHECK				•
CHECK BRUSH BASE GROUP			•	
SCREW TIGHTENING				•

- The hours refer to the ones indicated on the display (see under paragraph "HOUR METER ").

Warranty Registration Form

Please provide additional information on
Tornado equipment: (Check choices below)

- | | |
|---|---|
| <input type="checkbox"/> Automatic Scrubbers | <input type="checkbox"/> Sweepers |
| <input type="checkbox"/> Propane Floor Machines | <input type="checkbox"/> Rotary Floor Machine |
| <input type="checkbox"/> High Speed Burnishers | <input type="checkbox"/> Carpet Vacuums |
| <input type="checkbox"/> Carpet Extractors & Spotters | <input type="checkbox"/> Wet/Dry Vacs |
| <input type="checkbox"/> Steam Cleaners | <input type="checkbox"/> Jumbo Vacs |
| <input type="checkbox"/> Ride-On Equipment | <input type="checkbox"/> Pressure Washers |

See complete product info at www.tornadovac.com

Selling Dealer: (Required) _____

Please Print Clearly

Company/Institution	
Contact Name	Title
Address	City/State/Zip Code
Phone	Fax
Date of Purchase	Email

See white metal plate or sticker on unit for this information.

MACHINE TYPE/MODEL NUMBER:	MACHINE SERIAL NUMBER:
1. _____	1. _____
2. _____	2. _____
3. _____	3. _____
4. _____	4. _____

Facility Description (please circle all that apply)

- | | | |
|------------------------|---------------------------|---------------------|
| 1. School | 9. Hospital | 17. U.S. Govt. |
| 2. Retail Store | 10. Nursing Home | 18. Other Govt. |
| 3. Restaurant | 11. Religious Institution | 19. Auto Service |
| 4. Office Building | 12. Airport | 20. Airport |
| 5. Contract Cleaning | 13. Warehouse | 21. Non-Profit |
| 6. Light Manufacturing | 14. Apartment/Condo | 22. Other (specify) |
| 7. Heavy Manufacturing | 15. Warehouse | |
| 8. College/University | 16. Supermarket | |

How did you first learn about Tornado cleaning and maintenance equipment?	In square feet (meters)	
	Total Hard Floor Area	Total Carpeted Area Square feet (square meters)
<ul style="list-style-type: none"> <input type="radio"/> Contacted by local dealer <input type="radio"/> Previous experience with Tornado products <input type="radio"/> Reputation/Recommendation <input type="radio"/> Advertising <input type="radio"/> Direct mail <input type="radio"/> Internet <input type="radio"/> Other 	<ul style="list-style-type: none"> <input type="radio"/> 0-10,000 (0-930) <input type="radio"/> 10-50,000 (930-4,650) <input type="radio"/> 50-250,000 (4,650-23,250) <input type="radio"/> Over 250,000 (over 23,260) 	<ul style="list-style-type: none"> <input type="radio"/> 0-10,000 (0-930) <input type="radio"/> 10-50,000 (930-4,650) <input type="radio"/> 50-250,000 (4,650-23,250) <input type="radio"/> Over 250,000 (over 23,260)

Damage or defect arising from abuse, neglect or other misuse is excluded from this warranty. Other items may or may not apply based on your specific machine. If any defect occurs, the warranty is voided if service is attempted by non-Authorized Tornado Service Centers.

Return to :
Tornado Industries
3101 Wichita Court
Fort Worth, TX 76140
Fax: 817-551-0719
or online at
www.tornadovac.com



ÍNDICE

LEYENDA TABLERO DE INSTRUMENTOS Y MANDOS	20	Dispositivo rebosadero	26
LEYENDA MÁQUINA	20	PARADA DE LA MÁQUINA AL FINAL DE LA LIMPIEZA	27
ACCESORIOS OPCIONALES	21	MANTENIMIENTO DIARIO	27
DESCRIPCIÓN TÉCNICA	21	Limpieza depósito de recuperación	27
ADVERTENCIA	22	Limpieza del filtro de aspiración	27
NORMAS GENERALES DE SEGURIDAD	22	Limpieza de los cepillos	27
SIMBOLOGÍA	22	Desmontaje de los cepillos	27
ANTES DEL EMPLEO	23	Limpieza de la boquilla de secado	27
Movimiento máquina embalada	23	MANTENIMIENTO SEMANAL	27
Desembalaje de la máquina	23	Sustitución del labio trasero de la boquilla de secado	27
Instalación de las baterías y regulación del tipo de la batería	23	Limpieza del tubo de la boquilla de secado	27
Cargador de las baterías	23	Boquilla de secado version "V" (opcional)	28
Cargador de las baterías incorporado (opcional)	23	Boquilla de secado "V" (opcional): Sustitución labio trasero	28
Recarga de las baterías	23	Limpieza del depósito solución y filtro	28
Recarga de las baterías con cargador incorporado (opcional)	23	MANTENIMIENTO BIMESTRAL	28
Eliminación de las baterías	24	Sustitución del labio delantero de la boquilla de secado	28
Indicador de nivel de carga de las baterías	24	Boquilla de secado "V" (opcional): Sustitución labio delantero	28
Cuentahoras	24	MANTENIMIENTO SEMESTRAL	28
Montaje de la boquilla de secado	24	Sustitución del faldón antisalpicaduras	28
Reglaje de la boquilla de secado	24	Control del freno	29
Montaje del faldón antisalpicaduras	24	CONTROL DE FUNCIONAMIENTO	29
Montaje de los cepillos	25	Señales sobre el display	29
Depósito de recuperación	25	El motor de aspiración no funciona	29
Depósito de solución detergente	25	El motor de los cepillos no funciona	29
Grupo sistema 3S "Solution Saving System" (opcional)	25	El motor de tracción no funciona	29
LIMPIEZA DE LOS SUELOS	25	El agua en los cepillos no es suficiente	29
Conexión de las baterías a la máquina	25	La máquina no limpia bien	29
Accionamiento de la máquina	26	La boquilla de secado no seca perfectamente	30
Avance	26	Producción excesiva de espuma	30
Reglaje velocidad	26	MANTENIMIENTO PROGRAMADO	30
Freno de trabajo	26	CEPILLOS ACONSEJADOS	31
Freno de emergencia	26	GARANTÍA LIMITADA A LARGO PLAZO	32
Reglaje de la presión de los cepillos	26		
Dispositivo de protección sobrecarga motor de los cepillos	26		



Long Term Buyer Protection Limited Warranty

Tornado Industries, Inc. (Tornado) garantiza al consumidor final que los productos Tornado no tendrán defectos de materiales ni mano de obra durante el período indicado abajo. Esta garantía limitada NO cubre a las máquinas y/o componentes sujetos al desgaste normal, los daños ocasionados durante el envío, las fallas producidas por modificaciones, accidentes, entorno operativo inadecuado, mal uso, abuso, negligencia o mal mantenimiento por parte del usuario. Para más detalles, contáctese con su Distribuidor de Tornado Autorizado, el Centro de Reparaciones, o el Departamento de Servicio Técnico de Tornado. Los representantes de ventas y servicio técnico de Tornado no están autorizados a renunciar o alterar los términos de esta garantía, ni a incrementar las obligaciones de Tornado bajo esta garantía.

10 Años*

Tanques de agua plásticos y cuerpos moldeados en forma rotatoria

2 Años*

Piezas de todos los equipos de limpieza Tornado

1 Año*

Mano de obra de todos los equipos de limpieza Tornado

1 Año*

Garantía de baterías, un año prorrateado.

Todas las garantías de las baterías son manejadas directamente por el fabricante de las baterías, en base a un año prorrateado

Términos sujetos a cambios sin previo aviso.

1. Con excepción de los Ventiladores-Secadores Windshear™, de tiro lateral y descendente, Ventiladores de Aislamiento, CV 30, CV 38, CK14/1 PRO, CK 14/2 PRO, SWM31/9, CK LW 13/1, CK LW 13/1 ROAM, CV 38/48 Dual, PV6, PV10, PV6 ROAM, Wall Mount todas las Barredoras, Aspiradoras en Seco, y todos los cargadores tienen garantía por 1 (un) año tanto para sus piezas como para la mano de obra.
2. Todas las piezas no desgastadas compradas después del vencimiento de la garantía, tienen garantía por 90 días.
3. La garantía comienza a correr desde la fecha de venta al consumidor o, a discreción de Tornado, 6 meses después de que el vendedor compre la unidad a Tornado, lo que ocurra primero.
4. El artículo EB 30 tiene garantía por un período de 90 días tanto para sus piezas como para la mano de obra.
5. La garantía de los motores utilizados en equipos a propano se limita a la garantía de fábrica del motor.
6. Las fregadoras con conductor tienen garantía de 24 meses para sus piezas, 6 meses para la mano de obra o 1000 horas, lo que ocurra primero.

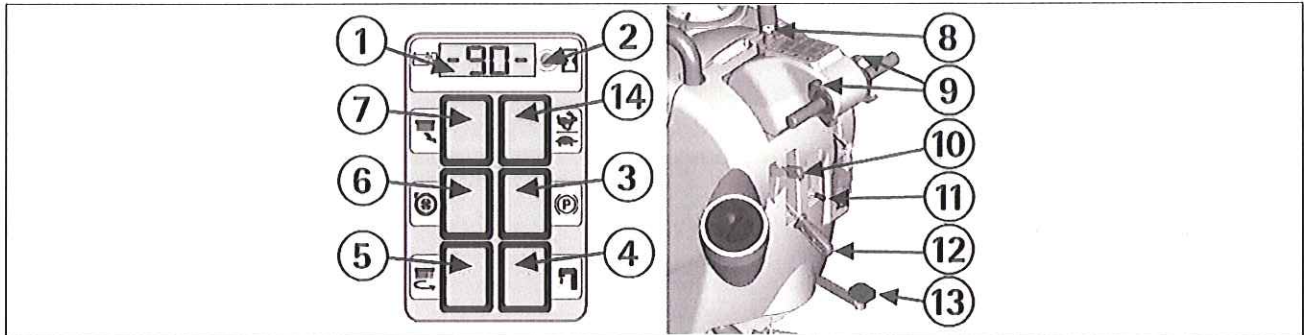
Nota: Tornado, The Latest Dirt, Floorkeeper, Carpetkeeper, Carpetrinser, Carpetrinser/Dryer, Headmaster, Taskforce, PAC-VAC, T-Lite, Glazer, Windshear, Max-Vac, y Trot-Mop son marcas registradas de Tornado Industries

Sitio web: www.tornadovac.com
Teléfono 1.800.VACUUMS
Fax: 817-551-0719
Dirección: 3101 Wichita Court
Fort Worth, TX 76140



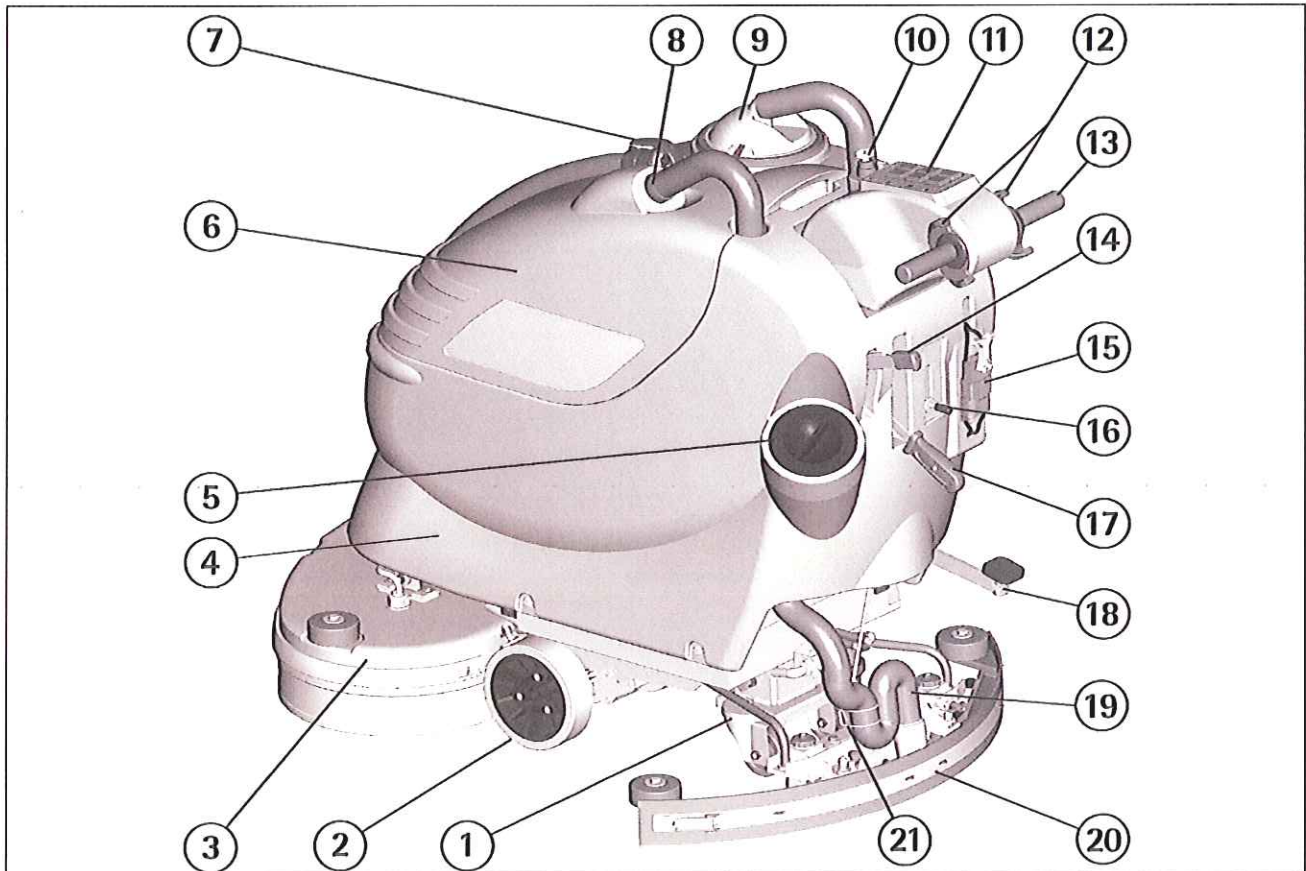
LEYENDA TABLERO DE INSTRUMENTOS Y MANDOS

- | | |
|--|---|
| 1. DISPLAY NIVEL CARGA BATERÍAS/CUENTAHORAS | 8. INTERRUPTOR CON LLAVE |
| 2. PULSADOR VISUALIZACIÓN CUENTAHORAS (DISPLAY) | 9. PALANCAS MANDO MARCHA |
| 3. INDICADOR FRENO CONECTADO | 10. PALANCA FRENO DE ESTACIONAMIENTO / EMERGENCIA |
| 4. INTERRUPTOR ELECTROVÁLVULA / CONMUTADOR SISTEMA 3S (OPCIONAL) | 11. PALANCA GRIFO |
| 5. INTERRUPTOR MOTOR DE LOS CEPILLOS | 12. PALANCA ELEVADORA BOQUILLA DE SECADO |
| 6. INTERRUPTOR MOTOR DE ASPIRACIÓN | 13. PEDAL ELEVADOR GRUPO BANCADA DE LOS CEPILLOS |
| 7. PULSADOR DESENGANCHE CEPILLO | 14. INTERRUPTOR SELECCIÓN VELOCIDAD |

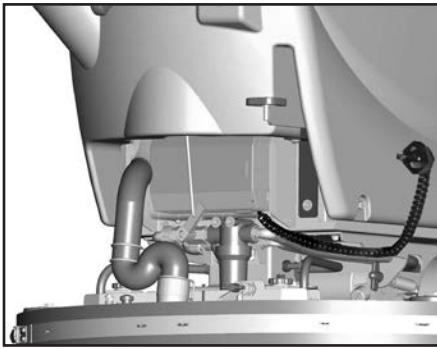


LEYENDA MÁQUINA

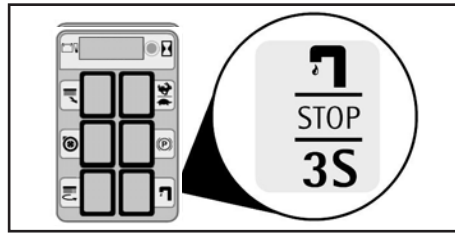
- | | |
|---|---|
| 1. RUEDAS PIVOTANTES | 11. TABLERO DE INSTRUMENTOS |
| 2. RUEDAS | 12. PALANCAS MANDO MARCHA |
| 3. GRUPO BANCADA DE LOS CEPILLOS | 13. MANILLARES |
| 4. DEPÓSITO DE SOLUCIÓN | 14. PALANCA FRENO DE ESTACIONAMIENTO / EMERGENCIA |
| 5. TAPA DE CARGA SOLUCIÓN DETERGENTE | 15. CONECTOR DE LAS BATERÍAS |
| 6. DEPÓSITO DE RECUPERACIÓN | 16. PALANCA GRIFO |
| 7. TAPÓN DE DESCARGA DEPÓSITO DE RECUPERACIÓN | 17. PALANCA ELEVADORA BOQUILLA DE SECADO |
| 8. ASIENTO ENTRADA TUBO BOQUILLA DE SECADO | 18. PEDAL ELEVADOR GRUPO BANCADA DE LOS CEPILLOS |
| 9. TAPA ASPIRACIÓN | 19. TUBO BOQUILLA DE SECADO |
| 10. INTERRUPTOR CON LLAVE | 20. GRUPO BOQUILLA DE SECADO |
| | 21. RESORTE GUIA TUBO BOQUILLA DE SECADO |



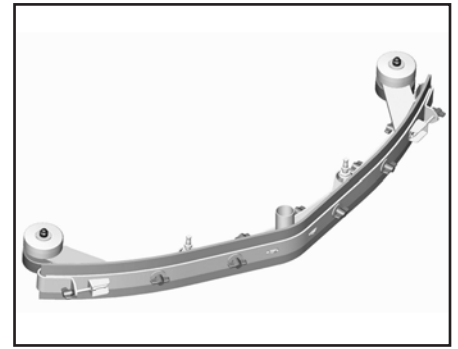
ACCESORIOS OPCIONALES



Cargador de las baterías incorporado



Grupo sistema 35 (Solution Saving System).



Boquilla de secado version 'V'.

DESCRIPCION TECNICA	U/M	BD26/14
Anehura de trabajo	mm/in	660/26
Anehura de la boquilla de secado	mm/in	850/34
Capacidad de trabajo, hasta	sqm/h/sqft/h	3000/32,292
Dia metro de los cepillos	mm/in	2x345/13
Velocidad revoluciones de las cepillos	rpm	200
Presion en los cepillos	kg/lbs	50/110 max
Motor de las cepillos	W/A	800/33
Motor de traccion	W/A	180/7.5
Tipo de avance		autom.
Velocidad de avance primera marcha	km/h/mph	3.2/2
Velocidad de avance segunda marcha	km/h/mph	4.5/2.8
Desnivel maxima		10%
Motor de aspiracion	W/A	570/24
Depresion aspirador	Mbar/in water lift	120/48
Deposito de solueion	l/Gallons	53/14
Deposito de recuperacion	l/Gallons	56/15
Longitud maquina	mm/in	1360/54
Altura maquina	mm/in	1098/43
Anchura maquina (sin boquilla de secado)	mm/in	720/28
Capacidad baterlas	V/Ah5h	24/180
Peso baterias	Kg/lbs.	144/318
Hueco baterlas	mm/in	390x405x374/15x16x15
Peso maquina (en vacio y sin baterias)	Kg/lbs	111/225
Nivel sonoro (en conformidad a la IEC 704/1)	dB(A)	67
Nivel de vibracion	m/sqs	0,45
Clase		III
Grado de proteccion	IP	X3
Tension de alimentacion	V	24

ADVERTENCIA

Les agradecemos por haber seleccionado nuestra máquina. Esta máquina fregadora se emplea en la limpieza industrial y civil para cualquier tipo de pavimentación. Durante su movimiento de avance, la acción combinada de los cepillos y de la solución detergente, remueve la suciedad que viene recogida con el grupo de aspiración trasero dejando una superficie perfectamente seca.

La máquina tiene que ser utilizada sólo para este fin. Se obtienen las mejoras prestaciones si se emplea correctamente y se mantiene en plena eficiencia. Rogamos de consecuencia leer cuidadosamente estas instrucciones y volver a leerlas cada vez que ocurran dificultades.

En caso de necesidad, recordamos que nuestro servicio de asistencia queda siempre a disposición para eventuales consejos o intervenciones directas.

NORMAS GENERALES DE SEGURIDAD

Las normas aquí abajo indicadas tienen que cumplirse cuidadosamente para evitar daños al operador y a la máquina.

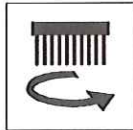
- Leer cuidadosamente las etiquetas en la máquina, no cubrirlas por ningún motivo y sustituirlas en seguida en caso de que fuesen dañadas.
- Tendrá que utilizar la máquina única y exclusivamente el personal autorizado y adiestrado para el empleo.
- Durante el funcionamiento de la máquina hay que tener cuidado con las demás personas y especialmente con los niños.
- En caso de peligro actuar rápidamente en el freno de emergencia.
- Cuando la máquina está aparcada quitar la llave y accionar el freno de estacionamiento.
- No mezclar detergentes de tipo diferente para evitar la producción de gases nocivos.
- No apoyar recipientes de líquidos en la máquina.
- La temperatura de almacenamiento tiene que estar comprendida entre -13°F y 131°F (-25°C y +55°C).
- Temperatura óptima de trabajo: entre 32°F y 104°F (0°C y 40°C).
- La humedad tiene que estar comprendida entre 30 y 95%.
- No emplear la máquina en atmósfera explosiva.
- No emplear la máquina como vehículo de transporte.
- No utilizar soluciones ácidas que podrían dañar la máquina y/o las personas.
- No utilizar la máquina en superficies esparcidas de líquidos o polvos inflamables (por ejemplo hidrocarburos, cenizas o tiznes).
- En caso de incendio, emplear un extintor de polvo. No emplear agua.
- No chocar con estanterías o andamios donde hay peligro de caída de objetos.
- Adecuar la velocidad de empleo a las condiciones de adhesión.
- No utilizar la máquina sobre superficies con inclinación superior a la indicada en la placa.
- La máquina tiene que realizar las operaciones de lavado y secado al mismo tiempo. Operaciones de naturaleza diferente tendrán que ser realizadas en zonas prohibidas para el paso de personas no encargadas del trabajo. Hay que señalar las zonas de pavimento mojado con letreros para tal efecto.
- Cuando se observasen anomalías en el funcionamiento de la máquina, asegurarse que no sean causadas por la falta de mantenimiento ordinaria. De no ser así, requerir la intervención del centro de asistencia autorizado.
- En caso de sustitución de piezas, pedir los repuestos ORIGINALES a un concesionario y/o distribuidor autorizado.
- Emplear solamente cepillos ORIGINALES señalados en el párrafo "CEPILLOS ACONSEJADOS".
- Para cualquier intervención de limpieza y/o mantenimiento cortar el suministro eléctrico a la máquina.

- No quitar las protecciones que requieren el empleo de utensilios para ser removidas.
- No lavar la máquina con chorros de agua directos o a presión, o con sustancias corrosivas.
- Cada 200 horas de trabajo hacer controlar la máquina por un centro de asistencia autorizado.
- Para evitar incrustaciones al filtro del tanque de solución, no cargar la solución detergente muchas horas antes de utilizar la máquina.
- Antes de utilizar la máquina, controlar que todas las tapas y las coberturas estén posicionadas como se ha indicado en este manual de uso y mantenimiento.
- Antes de levantar el tanque de recuperación asegurarse que esté vacío.
- Restablecer todas las conexiones eléctricas después de haber efectuado cualquier intervención.
- Proceder a la eliminación de los materiales de consumo siguiendo las normas de ley vigentes.
- Cuando vuestra máquina dejará de ser empleada, proveer al desmantelamiento apropiado de los materiales en la misma contenidos especialmente aceite, baterías y componentes electrónicos, y considerando que la máquina misma fue construida en cuanto posible con materiales reciclados.

SIMBOLOGÍA



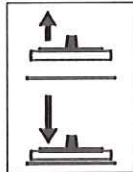
Símbolo del grifo.
Indica la palanca del grifo.
Indica el interruptor de la electroválvula.



Símbolo del cepillo.
Indica el interruptor del motor de los cepillos.



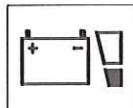
Símbolo del motor de aspiración.
Indica el interruptor del motor de aspiración.



Símbolo de subida-bajada boquilla de secado.
Indica la palanca de la boquilla de secado.



Símbolo que indica el interruptor de selección velocidad de la marcha.



Indicador de nivel de carga de las baterías.



Indicador del cuentahoras.



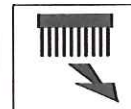
Indica la temperatura máxima de la solución detergente. Está situado cerca de la abertura de carga del depósito de solución.



Símbolo del freno.
Indica la luz piloto del freno conectado.



Símbolo del freno.
Indica la palanca del freno de emergencia y de estacionamiento.



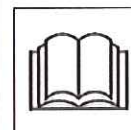
Símbolo de desenganche del cepillo.
Indica el pulsador para el desenganche automático de los cepillos.



Símbolo del bidón listado.
Indica que al final de su actividad, la máquina tendrá que ser eliminada en conformidad de la legislación vigente.



Símbolo del libro abierto.
Indica al operador que debe leer el manual antes del uso de la máquina.



Símbolo del libro abierto. Por el buen funcionamiento del cargador de las baterías incorporado (opcional), leer el manual del uso del constructor.



Símbolo de aviso.
Leer con atención las secciones precedidas por este símbolo, para la seguridad del operador y de la máquina.

ANTES DEL EMPLEO

MOVIMIENTO MÁQUINA EMBALADA

La máquina está contenida en un embalaje al efecto de una tarima para el movimiento por medio de carros elevadores de horquilla. El peso total es: 136 kg/300 lbs.

Las dimensiones del embalaje son:

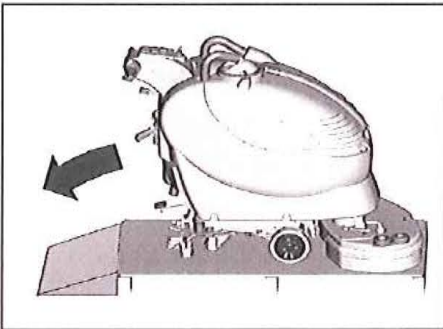
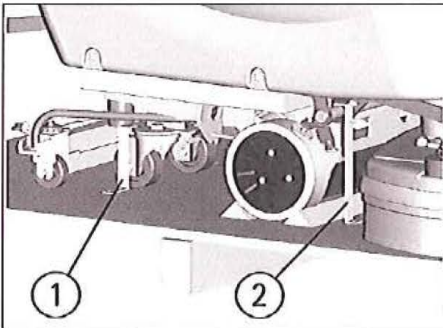
140 cm x 75 cm (55 in x 30 in)
Altura 120 cm (48 in)

⚠ ATENCIÓN:

No se pueden remontar más de dos embalajes.

DESEMBALAJE DE LA MAQUINA

1. Quitar el embalaje exterior.
2. Desatornillar los soportes (1+2) que fijan la máquina a la tarima.
3. Liberar la máquina de la tarima, empujándola en marcha atrás, como indicado en la figura. Evitar choques fuertes en las partes mecánicas.
4. Guardar la tarima y los soportes para eventuales necesidades de transporte.



INSTALACION DE LAS BATERIAS Y REGULACION DEL TIPO DE LA BATERIA

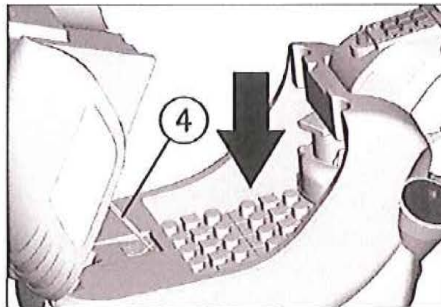
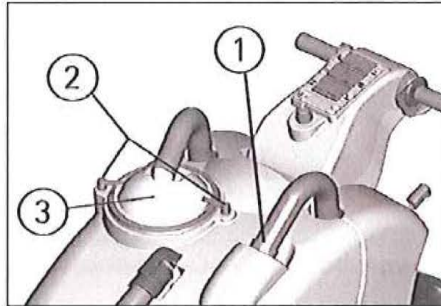
La máquina necesita el empleo o de dos baterías de 12 Volt conectadas en serie o de elementos del tipo DIN en grupos conectados en series para un total de 24 Volt, introducidas en el hueco para tal efecto debajo del depósito de recuperación, y tienen que ser movidas empleando equipos de levantamiento adecuados (tanto por el peso, evaluándolo en función de las baterías seleccionadas, como por el sistema de enganche).

Las baterías tienen que reunir los requisitos indicados en la Norma CEI 21-5.

Para la instalación de las baterías es necesario:

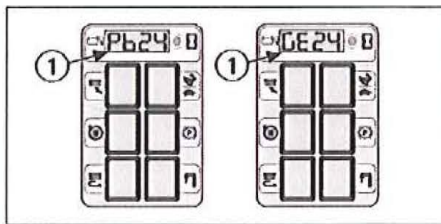
1. Quitar el tubo de la boquilla de secado (1).
2. Quitar el tapón de aspiración (2) después de haber girado las palancas (3) que lo fijan.
3. Levantar el depósito de recuperación girándolo y fijarlo con la asta (4) apropiada.
4. Colocar las baterías en el hueco.

5. Conectar los bornes, respetando la polaridad y poniendo atención de no cortocircuitar las baterías con utensilios.
6. Volver a montar todo.



⚠ ATENCIÓN:

La máquina y la relativa ficha de las baterías prevencen la utilización de baterías de tipo tradicional de plomo. CONTROLAR LA REGULACIÓN DE LA FICHA SOBRE EL INDICADOR (1). En caso de que se instalen baterías de GEL, es necesario efectuar la regulación de la ficha electrónica. Rogamos contactar con el centro de asistencia técnica autorizado.



⚠ ATENCIÓN:

Para el mantenimiento y la recarga de las baterías hay que cumplir exactamente las instrucciones dadas por el constructor o por su distribuidor. Todas las operaciones de instalación y mantenimiento tienen que ser realizadas por personal especializado, empleando dispositivos de protección apropiados.

CARGADOR DE LAS BATERIAS

Asegurarse que el cargador sea adecuado a las baterías instaladas tanto para la capacidad como para el tipo (plomo/ácido o GEL y equivalentes).

El conector de acoplamiento del cargador de baterías se suministra dentro del saquito que contiene este manual de instrucciones. Este conector tiene que ser montado en los cables de vuestro cargador según las instrucciones adecuadas del constructor del cargador.

⚠ ATENCIÓN:

Esta operación tiene que ser realizada por personal especializado. Una conexión equivocada o imperfecta

de los cables al conector puede causar daños serios a las personas u objetos.

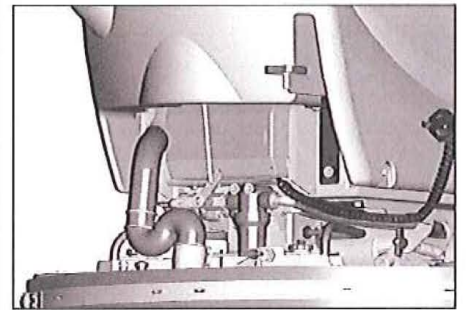
CARGADOR DE LAS BATERIAS INCORPORADO (OPCIONAL)

En caso de que la máquina esté entregada con el cargador de las baterías incorporado (ver "ACCESORIOS OPCIONALES"), se remite a las instrucciones del constructor de este accesorio por lo que concierne las operaciones de recarga.

El cargador es conectado directamente a los polos de las baterías.

Durante las operaciones de recarga se activa un dispositivo que no permite el funcionamiento de la máquina.

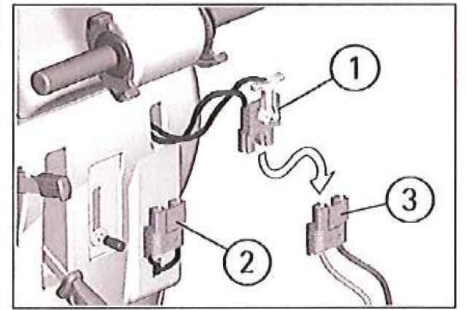
El cable de alimentación del cargador tiene una longitud máxima de dos metros (6.5 ft.) y tiene que ser conectado a una toma monofásica tipo CEE 7/7.



RECARGA DE LAS BATERIAS

Colocar la máquina en una superficie plana.

1. Introducir el conector de las baterías (1) colocado en la parte interior de la máquina, al conector (3) del cargador de las baterías.
2. Proceder a la recarga manteniendo el depósito levantado (ver "ACCESO AL HUECO DE LAS BATERIAS" en "ANTES DEL EMPLEO").
3. Mantener la conexión con el cargador hasta cuando la indicación de final de carga no viene visualizada.

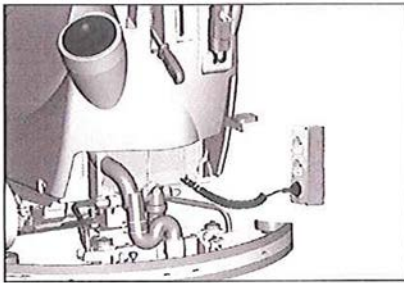


RECARGA DE LAS BATERIAS CON CARGADOR INCORPORADO (OPCIONAL)

Colocar la máquina en una superficie plana cerca de una toma monofásica con tensión 120V, frecuencia 60Hz, corriente nominal 10A.

Apagar los interruptores del motor de los cepillos y del motor de aspiración.

1. Introducir el enchufe en la toma de la red.
2. Proceder a la recarga manteniendo el depósito levantado (ver "ACCESO AL HUECO DE LAS BATERIAS" en "ANTES DEL EMPLEO").
3. No quitar el enchufe de la red hasta cuando la indicación de final de carga no viene visualizada. Al final de la recarga, quitar el enchufe de la red.



⚠ ATENCIÓN:

No cargar jamás una batería de GEL con un cargador no adecuado. Seguir esmeradamente las instrucciones transmitidas del fabricante de las baterías y del cargador.

Para no causar daños permanentes a las baterías, es indispensable evitar la descarga por completo de las mismas, efectuando la recarga dentro de pocos minutos desde el encendido de la señal relampagueante de baterías descargadas.

NOTAS: No hay que dejar nunca las baterías descargadas por completo, aunque la máquina no se emplee. En caso de baterías tradicionales, cada 20 recargas verificar el nivel del electrolito y eventualmente añadir agua destilada.

⚠ ATENCIÓN:

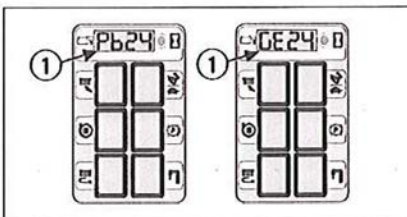
Para la recarga de las baterías hay que cumplir exactamente las instrucciones dadas por el constructor o por su distribuidor. Todas las operaciones de instalación y mantenimiento tienen que ser realizadas por personal especializado. Peligro de exhalación de gas y escape de líquidos corrosivos. Peligro de incendio: no aproximarse con llamas libres.

ELIMINACIÓN DE LAS BATERÍAS

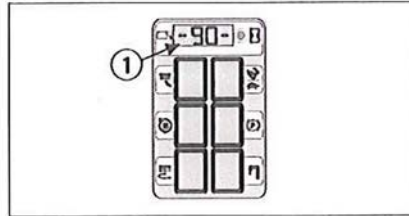
Es obligatorio entregar las baterías agotadas, que son clasificadas como residuos peligrosos, a un ente autorizado en conformidad con la legislación vigente para la eliminación.

INDICADOR DE NIVEL DE CARGA DE LAS BATERÍAS

CUANDO LA MÁQUINA SE ENCIENDE, EN EL DISPLAY APARECE LA REGULACIÓN DE LA FICHA BATERÍAS: GE 24: ficha regulada para baterías de GEL. Pb 24: ficha regulada para baterías de plomo.

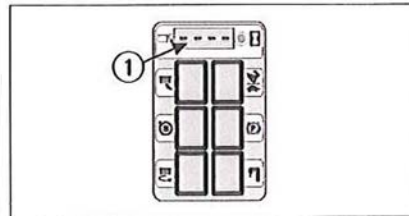


El indicador de nivel de carga de las baterías (1) es digital e indica el porcentaje de carga de las baterías. 90 es la carga máxima, hasta a un mínimo de 10 marcando cada disminución del 10%. Cuando el estado de carga llega al 20% el display empieza de relampaguear, indicando el final de la carga de las baterías.



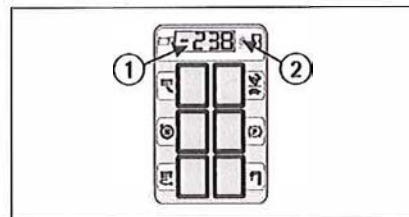
⚠ ATENCIÓN:

Después de algunos segundos desde el encendido de los cuatro trazos relampagueantes, el motor cepillos se apaga automáticamente. Con la carga residual es posible de todos modos acabar el trabajo de secado antes de efectuar la recarga.



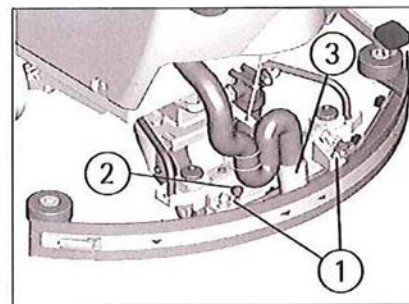
CUENTAHORAS

La máquina está equipada de cuentahoras la cual lectura viene activada en el mismo display del indicador de carga de las baterías (1) teniendo apretado el pulsador (2) más de tres segundos. La primera lectura indica las horas trabajadas y, después de algunos instantes la segunda lectura indica los minutos trabajados.



MONTAJE DE LA BOQUILLA DE SECADO

Con el soporte de la boquilla de secado bajado, hacer deslizar los dos prisioneros (1) puestos en la parte superior de la boquilla, al interior de los ojales presentes en el soporte. Bloquear la boquilla de secado girando la palanca (2) en sentido horario. Introducir el tubo (3) de la boquilla en el manguito al efecto, respetando su posición indicada en la figura.



REGLAJE DE LA BOQUILLA DE SECADO

La boquilla de secado, a fin de garantizar un secado perfecto durante la utilización, debe tener una combadura de la parte inferior del labio trasero de manera uniforme por toda su longitud. Por el reglaje, es necesario ponerse en las condiciones de trabajo y por lo tanto con el aspirador encendido y los cepillos en función con la solución detergente.

El labio inferior está demasiado curvado

Quitar la presión volviendo a girar en sentido antihorario los reguladores (4).

El labio inferior está poco curvado

Aumentar la presión volviendo a girar en sentido horario los reguladores (4).

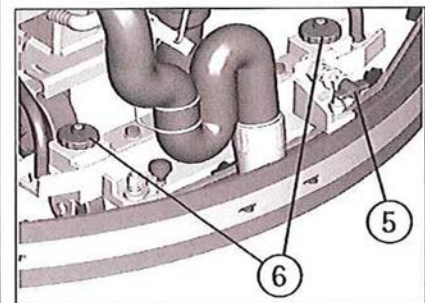
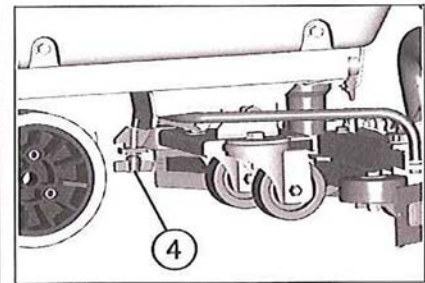
La combadura no es uniforme

Regular la inclinación de la boquilla de secado volviendo a girar en sentido antihorario el regulador (5) para aumentar la combadura en la parte central, o en sentido horario para aumentar la combadura en los lados de la boquilla de secado.

Reglaje altura

Una vez que la presión y la inclinación de la boquilla de secado está regulado, es necesario fijar esta situación óptima haciendo rozar las ruedas pequeñas sobre el suelo. Volver a girar los reguladores (6): en sentido antihorario para bajar las ruedas o en sentido horario para levantarlas. Las dos ruedas tienen que estar reguladas por la misma cantidad.

Una etiqueta puesta en proximidad de los dos reguladores (6) indica el sentido de rotación para aumentar o reducir la altura.



⚠ ATENCIÓN:

Cada tipo de suelo necesita de un reglaje específico. Por ejemplo, suelos en cemento (donde la fricción es importante) necesitan de poca presión, mientras suelos lisos (cerámica) necesitan de una mayor presión.

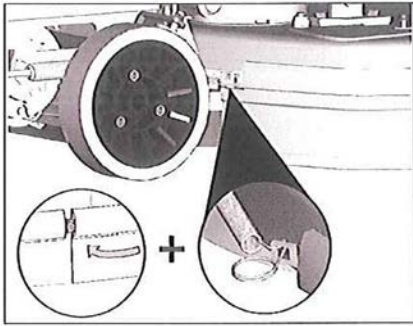
Si se trabaja siempre sobre el mismo tipo de suelo, el reglaje puede variar solo en función del desgaste de los labios.

MONTAJE DEL FALDON ANTISALPICADURAS

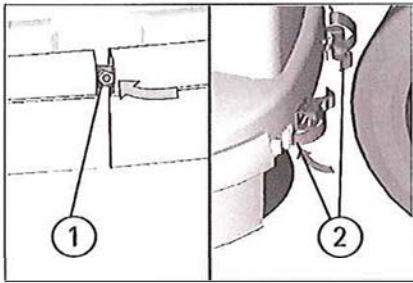
Los dos faldones tienen que ser montados en el grupo bancada de los cepillos. Introducir los listones metálicos al interior de las hendiduras apropiadas presentes en la goma. Posicionar el orificio redondo a la extremidad plana del listón sobre el tornillo puesto en la parte delantera de la bancada. Fijar después los listones con la tuerca, bloqueándola.

Enganchar el resorte en la parte trasera de la bancada cepillos al ojal puesto a la extremidad libre del listón metálico. La operación viene efectuada por ambos faldones parasalpicaduras, poniendo atención en reducir al mínimo el espacio entre las dos gomas en la parte delantera de la bancada de los cepillos. Con los cepillos montados, los faldones tienen que rozar el suelo.

E

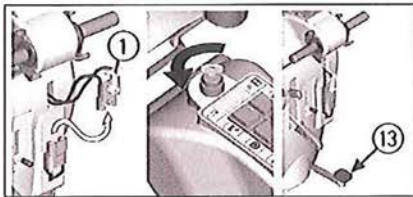


Bloquear los enganches a palanca (2) en la parte trasera de la bancada cepillos a los ojales puestos a las extremidades libres de los listones metálicos. La operación viene efectuada por ambos faldones parasalpicaduras, poniendo atención en reducir al mínimo el espacio entre las dos gomas en la parte delantera de la bancada de los cepillos. Con los cepillos montados, los faldones tienen que rozar el suelo.



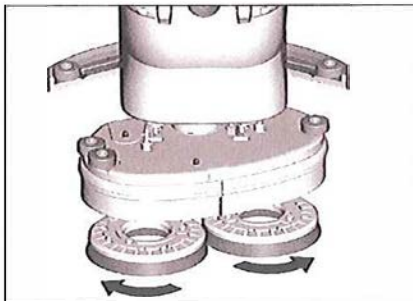
MONTAJE DE LOS CEPILLOS

1. Quitar la alimentación eléctrica del motor de los cepillos desconectando el conector baterías (1). Girar la llave en sentido antihorario.
2. Actuando en el pedal (13) levantar la bancada.



3. Estando la bancada cepillos en posición alta, introducir los cepillos en el hueco del plato debajo de la bancada y girarlos hasta que los tres botones metálicos entren en los huecos del mismo plato; girar enérgicamente los cepillos, de manera que el botón se aprieta hacia el resorte de enganche hasta lograr el bloqueo.

Los gráficos señalan el sentido de rotación para el enganche de los cepillos.



Se aconseja invertir a diario la posición de los cepillos al fin de garantizar una utilización más duradera. Si los cepillos tienen las cerdas inevitablemente deformadas es mejor volver a montarlos en la misma posición, para evitar que la distinta inclinación de las cerdas cause unas sobrecargas del motor o vibraciones excesivas.



⚠ ATENCIÓN:

Realizar las operaciones de montaje con la alimentación conectada puede causar lesiones a las manos.

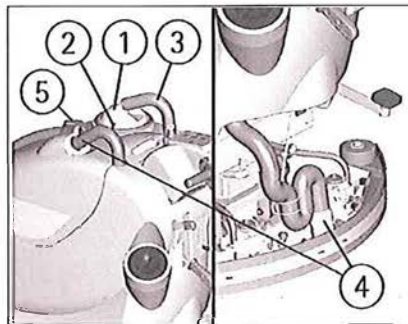
⚠ ATENCIÓN:

Utilizar solo los cepillos dotados con la máquina o aquellos especificados en el párrafo "CEPILLOS ACONSEJADOS". La utilización de otros cepillos puede comprometer la seguridad.

DEPÓSITO DE RECUPERACIÓN

Controlar que la tapa del filtro de aspiración (1) esté correctamente bloqueada, después de haber girado las palancas (2) y que esté correctamente conectado al tubo del motor de aspiración.

Comprobar además que el tubo de la boquilla de secado (4) esté correctamente introducido en sus alojamientos y que el tapón del tubo de descarga (5), puesto en la parte delantera de la máquina, esté cerrado.

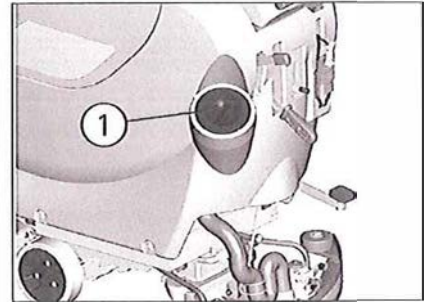


DEPÓSITO DE SOLUCIÓN DETERGENTE

La capacidad del depósito de solución está indicada en la ficha técnica.

Abrir el tapón roscado (1) que se encuentra en la parte trasera en el lado izquierdo de la máquina y llenar el depósito de solución con agua limpia, con una temperatura no superior a 50°C (122°F). Añadir el detergente líquido en la concentración y con las modalidades previstas por el fabricante. Para evitar la formación de una cantidad excesiva de espuma que podría dañar el motor de aspiración, emplear una cantidad mínima de detergente. Enroscar el tapón del depósito de solución.

E



⚠ ATENCIÓN:

Hay que emplear siempre detergente de espuma controlada. Para evitar con seguridad la producción de espuma, antes de empezar el trabajo introducir en el depósito de recuperación una cantidad mínima de líquido antiespuma.

No emplear ácidos en estado puro.

GRUPO SISTEMA 3S "SOLUTION SAVING SYSTEM" (OPCIONAL)

El sistema se compone de un circuito hidráulico paralelo al tradicional que puede ser habilitado o desactivado directamente del tablero de instrumentos por medio de un desviador con tres posiciones activándolo como en el gráfico según el criterio seleccionado:

(1) = Posición grifo con funcionamiento tradicional de ajuste del flujo de distribución por el grifo.

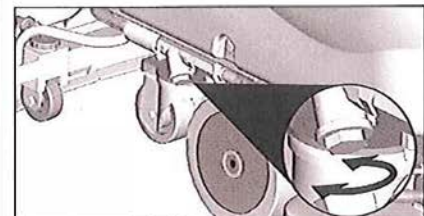
(2) = Posición STOP con funcionamiento sin flujo (solo secado).

(3) = Posición 3S con funcionamiento de caudal optimal fijo.



El circuito hidráulico del sistema 3S es independiente y es dotado de un filtro propio, que periódicamente tiene que ser limpiado.

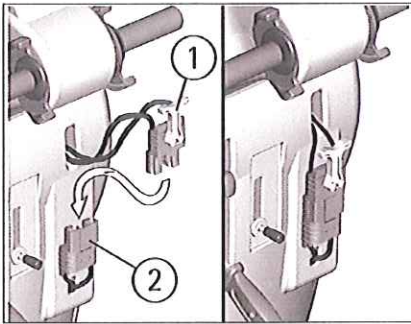
Por la limpieza hay que destornillar el tapón como en el gráfico y limpiar el filtro interior por un chorro de agua.



LIMPIEZA DE LOS SUELOS

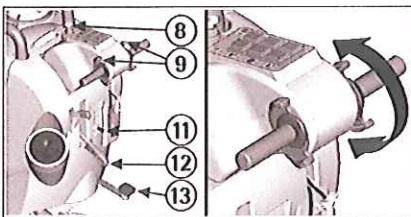
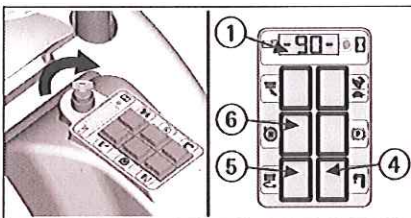
CONEXION DE LAS BATERIAS A LA MAQUINA

Conectar el conector baterías (1) al conector de la máquina (2), puesto en la parte trasera de la máquina.



ACCIONAMIENTO DE LA MÁQUINA

1. Girar la llave (8) en sentido horario.
 2. Controlar el tipo de las baterías y el estado de la carga sobre el display (1).
 3. Apretar el interruptor del motor cepillos (5).
 4. Apretar el interruptor del motor aspiración (6).
 5. Apretar el interruptor de la electroválvula (4).
- En el modelo equipado con el sistema 3S (opcional), hay que además actuar en el desviador apropiado para activar la distribución de la solución detergente seleccionando entre el sistema tradicional de ajuste por medio del grifo o del sistema de distribución optimal fijo (ver "GRUPO SISTEMA 3S - SOLUTION SAVING SYSTEM").
6. Actuando en el pedal de levantamiento del grupo bancada (13) bajar la bancada de los cepillos.
 7. Actuando en la palanca (11) del grifo, abrir y regular la cantidad de la solución detergente. El agua empezará a fluir automáticamente accionando las palancas de mando marcha (9). En el tablero de instrumentos se enciende el indicador de señal grifo abierto (4). Volviendo a dejar las palancas de mando marcha el flujo se interrumpirá.
 8. Actuando en la palanca de levantamiento de la boquilla de secado (12) bajar la boquilla.
 9. Accionando las palancas de mando marcha (9), la máquina empezará a moverse, los cepillos empezarán a girar y la boquilla de secado empezará a aspirar.
 10. Durante los primeros metros (feet) controlar que el reglaje de la boquilla de secado garantice un secado perfecto y que el reglaje del flujo de la solución detergente sea adecuado. Tendrá que ser suficiente para mojar de manera uniforme el suelo evitando la salida del detergente de la protección del parasalpicaduras. En cualquier caso, hay que tener presente que la correcta cantidad de solución está siempre en función de la naturaleza del suelo, de la cantidad de la suciedad y de la velocidad.



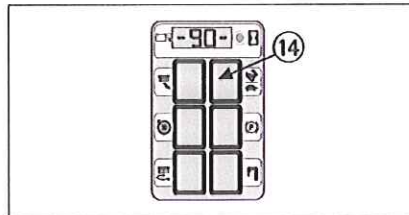
AVANCE

La tracción de la máquina se obtiene a través de un motor controlado electrónicamente. Para desplazar la máquina, se actúa la llave (8) y luego girar las palancas de mando marcha (9) puestas

en el manillar, adelante para la marcha adelante y atrás para la marcha atrás. El mando funciona de manera progresiva, por lo cual es posible graduar la velocidad según las propias exigencias volviendo a girar las palancas tanto como sea necesario. En marcha atrás la velocidad está reducida.

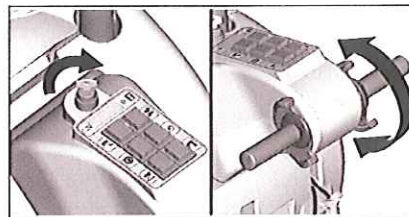
REGLAJE VELOCIDAD

Se puede elegir entre dos valores de velocidad máxima de trabajo en marcha adelante. Poner en posición la velocidad deseada por medio del interruptor (14) de selección de la velocidad.



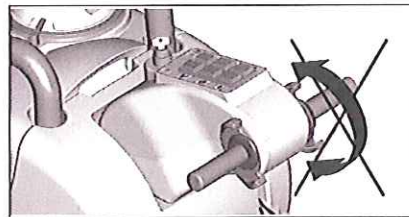
ATENCIÓN:

Cuando se efectúan desplazamientos aun cortos en marcha atrás, asegurarse que la boquilla de secado esté levantada.



FRENO DE TRABAJO

Para pararse durante el trabajo en situaciones normales, es suficiente volver a dejar las palancas de mando marcha (9) puesto que la máquina dispone de un sistema de freno electrónico. Los cepillos y el flujo de la solución detergente se paran automáticamente.

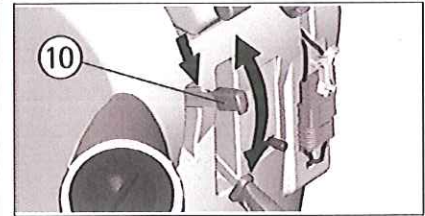


FRENO DE EMERGENCIA

En caso de emergencia se puede obtener la parada inmediata actuando sobre la palanca del freno de emergencia y de estacionamiento (10) bajándola.

ATENCIÓN:

Este mando bloquea de inmediato la máquina. El freno de emergencia funciona además como freno de estacionamiento. Para volver a trabajar, liberar la palanca desbloqueando el pulsador presente en la misma palanca y accionar de nuevo las palancas de mando marcha (9).

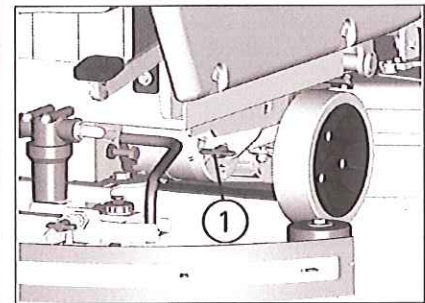


REGLAJE DE LA PRESIÓN DE LOS CEPILLOS

Por medio del regulador (1) es posible regular la presión de los cepillos sobre la superficie lavada. Girando la palomita en sentido horario la presión aumenta, girando la palomita en sentido antihorario la presión disminuye. Este dispositivo permite una acción lavante más eficaz además en las superficies más difíciles y sucias.

ATENCIÓN:

Para no sobrecargar el motor de los cepillos, es mejor reducir la presión de los cepillos, pasando de un suelo liso a un suelo rudo (ej. cemento).

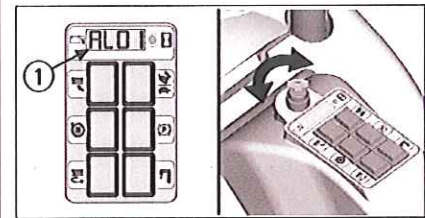


DISPOSITIVO DE PROTECCIÓN SOBRECARGA MOTOR DE LOS CEPILLOS

La máquina está equipada al dispositivo para el reglaje de la presión de los cepillos. Se monta un sistema de protección que indica en el display la sobrecarga con la sigla "ALO1". Verificar el reglaje de la presión de los cepillos como indicado en el párrafo anterior.

ATENCIÓN:

Para restablecer el funcionamiento del motor de los cepillos, apagar y encender la máquina actuando en el interruptor con llave.



DISPOSITIVO REPOSADERO

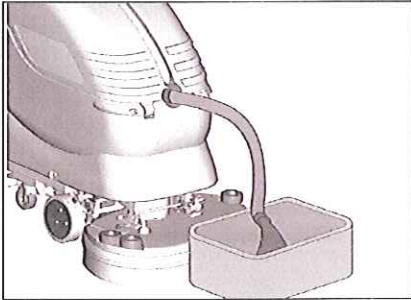
A fin de evitar daños serios al motor de aspiración, la máquina está equipada de un flotador que actúa cuando el depósito de recuperación está lleno causando el cierre del tubo de aspiración y por lo tanto de la aspiración.

En este caso hay que vaciar el depósito de recuperación.

1. Empuñar el tubo de descarga puesto en la parte delantera de la máquina.
2. Sacar el tapón del tubo de descarga actuando la palanca puesta encima el tapón y vaciar el depósito de recuperación en tinas previstas, en contemplación a las normas vigentes por lo que concierne la liquidación de los líquidos.

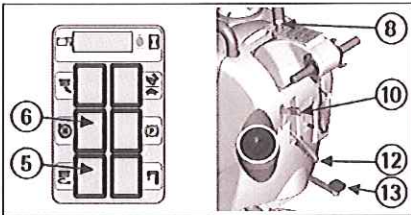
⚠ ATENCIÓN:

Esta operación tiene que ser realizada llevando guantes para protegerse del contacto con soluciones peligrosas.

**PARADA DE LA MÁQUINA AL FINAL DE LA LIMPIEZA**

Antes de ejecutar cualquier tipo de mantenimiento:

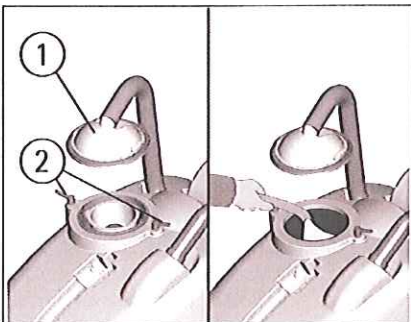
1. Apagar el interruptor del motor cepillos (5).
2. Apagar el interruptor del motor aspiración (6).
3. Levantar la bancada actuando en el pedal (13).
4. Levantar la boquilla de secado actuando en la palanca (12).
5. Llevar la máquina hasta el lugar previsto para la descarga de la agua.
6. Girar la llave (8) en sentido antihorario.
7. Poner el freno de estacionamiento (10).

**MANTENIMIENTO DIARIO****LIMPIEZA DEPÓSITO DE RECUPERACIÓN**

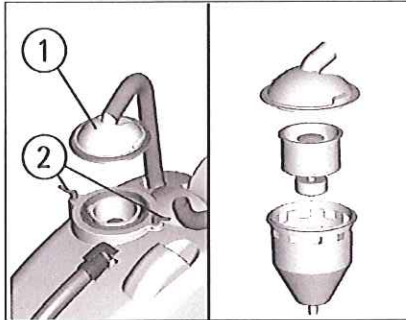
1. Empujar el tubo de descarga puesto en la parte delantera de la máquina.
2. Sacar el tapón del tubo de descarga actuando la palanca puesta encima el tapón y vaciar el depósito de recuperación en las tinas previstas.
3. Quitar el tapón de aspiración (1) después de haber girado las palancas (2) que lo fijan.
4. Quitar el filtro y la protección relativa.
5. Enjuagar el depósito con un chorro de agua.

⚠ ATENCIÓN:

Esta operación tiene que ser realizada llevando guantes para protegerse del contacto con soluciones peligrosas.

**LIMPIEZA DEL FILTRO DE ASPIRACIÓN**

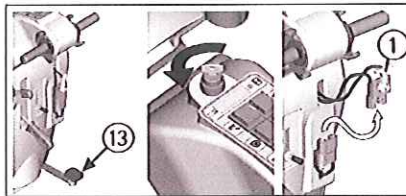
1. Quitar el tapón de aspiración (1) después de haber girado las palancas (2) que lo fijan.
2. Quitar el filtro y la protección relativa.
3. Limpiar todo con un chorro de agua especialmente las paredes y el fondo del filtro.
4. Realizar las operaciones de limpieza de manera esmerada.
5. Volver a montar todo.

**LIMPIEZA DE LOS CEPILLOS**

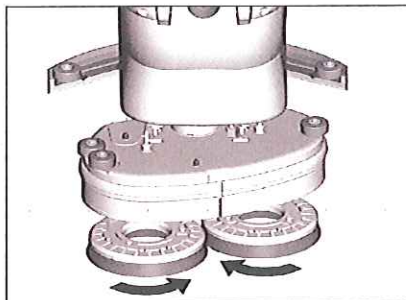
Desmontar los cepillos y limpiarlos con un chorro de agua (para el desmontaje de los cepillos ver en seguida "DESMONTAJE DE LOS CEPILLOS").

DESMONTAJE DE LOS CEPILLOS

1. Levantar la bancada bajando el pedal (13).
2. Girar la llave en sentido antihorario.
3. Quitar la alimentación eléctrica al motor de los cepillos desconectando el conector baterías (1).



4. Con la bancada en posición levantada girar el cepillo en el sentido de rotación para que salga del hueco del plato portacepillos como indicado en la figura. Los gráficos indican el sentido de rotación por el desenganche de los cepillos.

**⚠ ATENCIÓN:**

Durante la operación de desmontaje AUTOMÁTICO, asegurarse que no hay personas o objetos cerca de los cepillos. Realizar las operaciones de desmontaje MANUAL con la alimentación conectada puede causar lesiones a las manos.

⚠ ATENCIÓN:

Realizar las operaciones de desmontaje cepillos con la alimentación conectada puede causar lesiones a las manos.

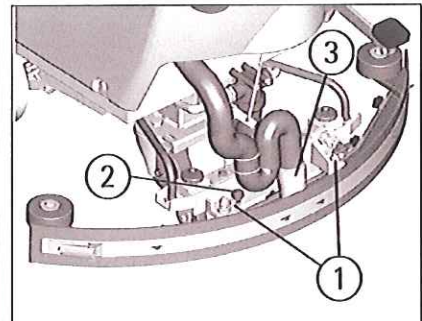
⚠ ATENCIÓN:

Estas operaciones de la manipulación de los cepillos tienen que ser realizadas llevando guantes aptos para protegerse tanto mecánicamente del contacto de las cerdas como por el riesgo químico del contacto con soluciones peligrosas.

LIMPIEZA DE LA BOQUILLA DE SECADO

Mantener la boquilla de secado limpia es garantía de un mejor secado. Para su limpieza es necesario:

1. Sacar el tubo de la boquilla de secado (3) del manguito.
2. Desmontar la boquilla de secado del soporte girando la palanca (2) en sentido antihorario y haciendo pasar los prisioneros (1) en los ojales apropiados.
3. Limpiar esmeradamente el interior del empalme sobre la boquilla de secado eliminando eventual suciedad depositada.
4. Limpiar esmeradamente los labios de aspiración.
5. Volver a montar todo.

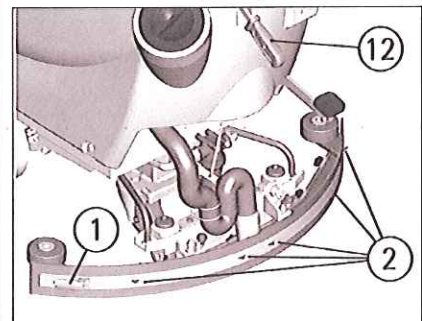
**MANTENIMIENTO SEMANAL****SUSTITUCIÓN DEL LABIO TRASERO DE LA BOQUILLA DE SECADO**

Controlar el estado de desgaste del labio de secado y eventualmente girarlo o sustituirlo.

Para la sustitución es necesario:

1. Levantar la boquilla de secado alzando la palanca (12).
2. Desenganchar el cierre (1) del listón fijador del labio y sacar el labio.
3. Girar el borde o sustituir el labio.

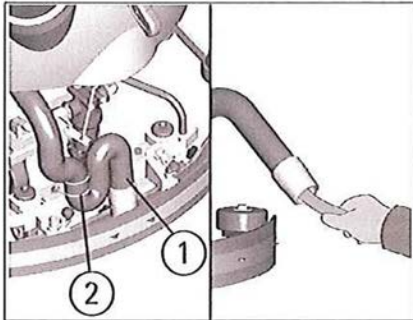
Para volver a montar la boquilla de secado repetir en orden inverso las operaciones arriba descritas poniendo en las guías apropiadas (2) el labio sustituido y fijando el listón.

**LIMPIEZA DEL TUBO DE LA BOQUILLA DE SECADO**

Cada semana o en caso de aspiración insuficiente es necesario controlar que el tubo de la boquilla de secado no esté obstruido. Eventualmente para limpiarlo proceder como sigue:

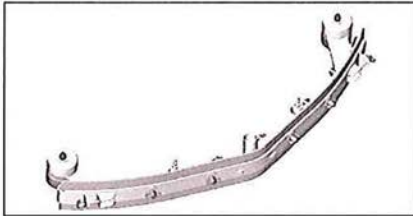
1. Soltar el tubo del manguito de la boquilla de secado (1) y desenganchar el resorte guía tubo boquilla de secado (2).

- Lavar el interior del tubo con un chorro de agua introducido desde el lado por el cual se introduce en el depósito de recuperación.
- Para volver a montar el tubo repetir en orden inverso las operaciones arriba descritas.



BOQUILLA DE SECADO VERSION "V" (OPCIONAL)
En alternativa a la boquilla de secado estándar, está disponible una boquilla de secado en forma de "V", indicada especialmente para suelos con juntas anchas.

Esta boquilla es intercambiable con aquella estándar, se puede montar en la máquina y se puede regular en la altura, presión e inclinación de manera igual. En cambio, los métodos de montaje y desmontaje de los labios son diferentes.

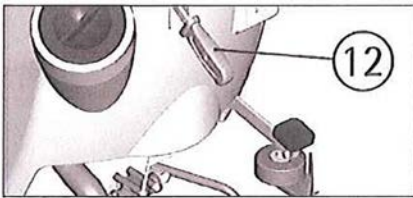


BOQUILLA DE SECADO "V" (OPCIONAL): SUSTITUCIÓN LABIO TRASERO

Controlar el estado de desgaste del labio de secado y eventualmente girarlo o sustituirlo.

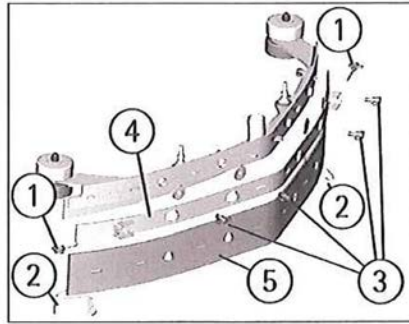
Para la sustitución es necesario:

- Levantar la boquilla de secado alzando la palanca (12).



- Destornillar los tirantes (1) en los terminales (2) del listón fijador del labio y liberar los terminales.
- Destornillar todas las mariposas (3) y sacar el listón fijador del labio (4).
- Girar el borde o sustituir el labio (5).

Para volver a montar la boquilla de secado repetir en orden inverso las operaciones arriba descritas poniendo en las guías apropiadas el labio (5), colocando el listón fijador y en fin atornillando todas las mariposas y los tirantes de los dos terminales.

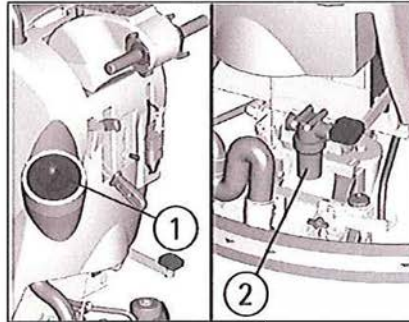


LIMPIEZA DEL DEPÓSITO SOLUCIÓN Y FILTRO

- Llevar la máquina hasta el lugar previsto para la descarga de la agua.
- Desenroscar la tapa de carga (1) del depósito solución.
- Desenroscar el tapón de descarga (2).
- Enjuagar con un chorro de agua el depósito.
- Enjuagar el filtro depósito solución puesto en el interior del tapón de descarga (2).
- Volver a montar todo.

⚠ ATENCIÓN:

Esta operación tiene que ser realizada llevando guantes para protegerse del contacto con soluciones peligrosas.



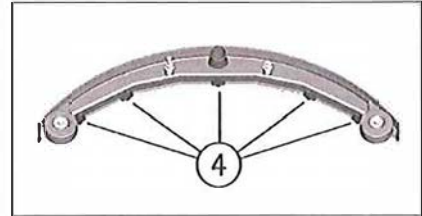
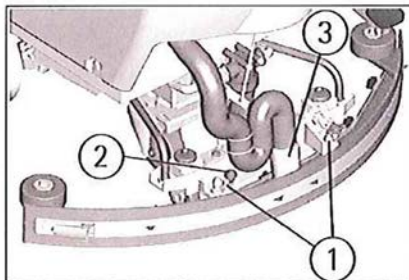
MANTENIMIENTO BIMESTRAL

SUSTITUCIÓN DEL LABIO DELANTERO DE LA BOQUILLA DE SECADO

Controlar el estado de desgaste del labio delantero de la boquilla de secado y eventualmente sustituirlo.

Para la sustitución es necesario:

- Quitar el tubo de la boquilla de secado (3) del manguito.
- Desmontar la boquilla de secado del soporte girando la palanca (2) en sentido antihorario y haciendo pasar los prisioneros (1) en los ojales apropiados.
- Destornillar las mariposas (4) en la parte delantera de la boquilla de secado.
- Sacar el listón fijador de goma.
- Sustituir el labio delantero.
- Volver a montar todo.



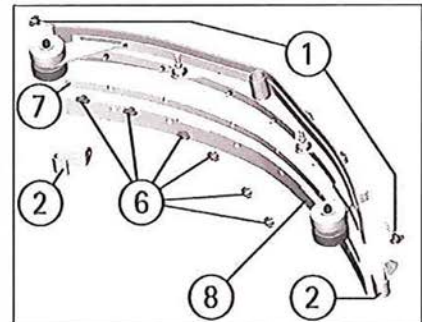
BOQUILLA DE SECADO "V" (OPCIONAL): SUSTITUCIÓN LABIO DELANTERO

Controlar el estado de desgaste del labio delantero de la boquilla y eventualmente sustituirlo.

Para la sustitución es necesario:

- Desenganchar la boquilla de secado del soporte como indicado en el párrafo "LIMPIEZA DE LA BOQUILLA DE SECADO".
- Destornillar los tirantes (1) en los terminales (2) del listón fijador del labio y liberar los terminales.
- Destornillar todas las mariposas (6) y sacar el listón fijador del labio (7).
- Sacar el labio (8) para sustituirlo.

Para volver a montar la boquilla de secado repetir en orden inverso las operaciones arriba descritas poniendo en las guías apropiadas el labio (8), colocando después el listón fijador y en fin atornillando todas las mariposas y los tirantes de los dos terminales.



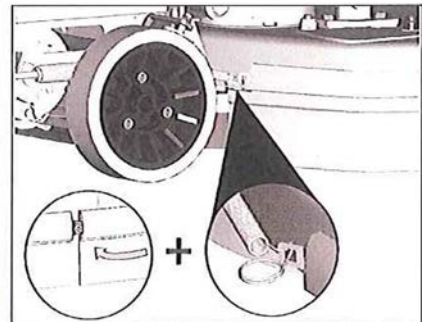
MANTENIMIENTO SEMESTRAL

SUSTITUCIÓN DEL FALDÓN

ANTISALPICADURAS

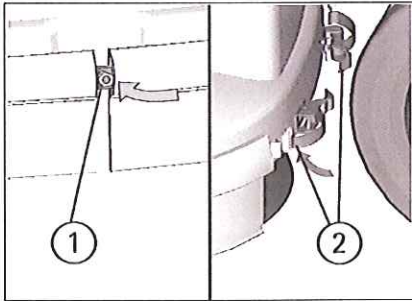
1. Desenganchar el resorte en la parte trasera de la bancada cepillos del ojal puesto a la extremidad libre del listón metálico.

2. Sustituir los faldones parasalpicaduras y seguir las instrucciones de montaje como escrito en el párrafo "MONTAJE DEL FALDÓN ANTISALPICADURAS". Con los cepillos montados, el antisalpicaduras tiene que rozar el suelo.



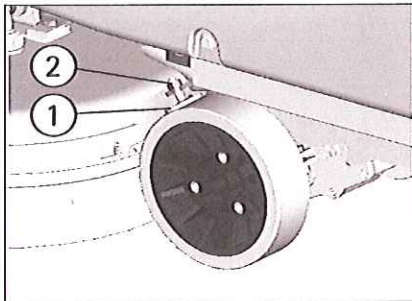
- Abrir los ganchos en la parte trasera de la bancada cepillos colocados a las extremidades libres de los listones metálicos.

2. Sustituir los faldones parasalpicaduras y seguir las instrucciones de montaje como escrito en el párrafo "MONTAJE DEL FALDÓN ANTISALPICADURAS". Con los cepillos montados, el antisalpicaduras tiene que rozar el suelo.



CONTROL DEL FRENO

Controlar la eficacia de frenado y que los dos toques (1) que obran sobre las ruedas de tracción, en posición de reposo, sean distantes no más de 3mm de las ruedas. Eventualmente regularlas por medio de las tuercas de fijación (2).



CONTROL DE FUNCIONAMIENTO

La verificación del estado de funcionamiento de la máquina viene deferida al centro de asistencia técnica autorizado.

SEÑALES SOBRE EL DISPLAY

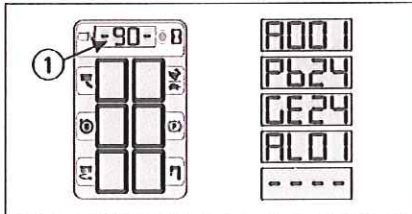
A001: Indicación de la versión de la ficha electrónica de control (la última cifra indica el índice de revisión de la ficha).

Pb24: Indicación de la ficha batería regulada para baterías de plomo.

GE24: Indicación de la ficha batería regulada para baterías de gel.

AL01: Señal de absorción de corriente excesivo del motor de los cepillos.

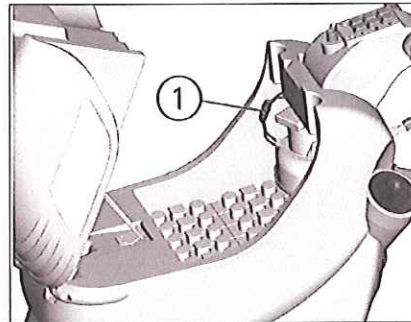
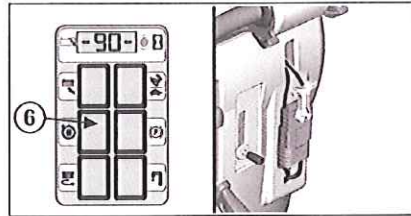
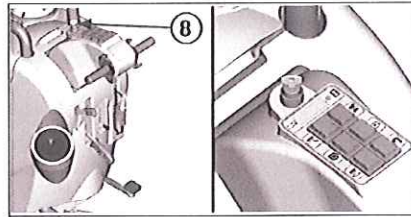
---- (relampagueante): señal de las baterías descargadas y intervención del dispositivo de bloqueo de los cepillos.



EL MOTOR DE ASPIRACIÓN NO FUNCIONA

1. Comprobar que el interruptor con llave (8) esté en la posición correcta.
2. Controlar el estado de carga de las baterías.
3. Comprobar que el conector de las baterías esté conectado correctamente.
4. Comprobar que el interruptor (6) esté encendido.

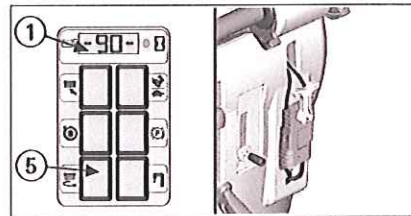
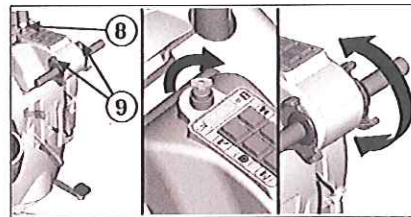
5. Comprobar que el conector rojo (1) del motor de aspiración esté conectado correctamente. Si el desperfecto continua, contactar con el centro de asistencia técnica autorizado.



EL MOTOR DE LOS CEPILLOS NO FUNCIONA

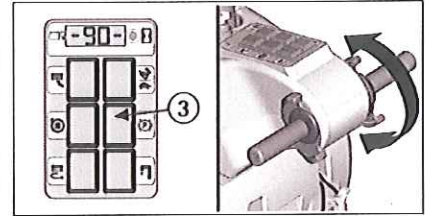
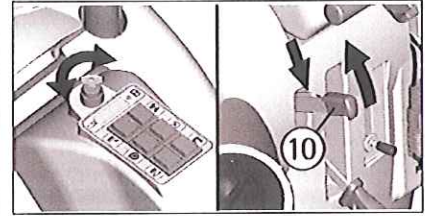
1. Comprobar que el interruptor con llave (8) esté en la posición justa. Apagar y encender la máquina.
2. Controlar el estado de carga de las baterías.
3. Comprobar que el conector de las baterías esté conectado correctamente.
4. Comprobar que el interruptor (5) esté encendido.
5. Accionar las palancas mando marcha (9).
6. Controlar que en el display (1) no aparezca la sigla AL01 (alarma sobrecarga del motor de los cepillos).

Si el desperfecto continua, contactar con el centro de asistencia técnica autorizado.



EL MOTOR DE TRACCIÓN NO FUNCIONA

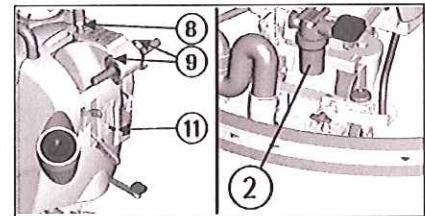
1. Apagar y encender la máquina.
 2. Desbloquear el freno (10) hasta al apagamiento del indicador (3).
 3. Accionar las palancas mando marcha.
- Si el desperfecto continua, contactar con el centro de asistencia técnica autorizado.



EL AGUA EN LOS CEPILLOS NO ES SUFICIENTE

1. Controlar que la palanca grifo (11) esté abierta.
2. Controlar el nivel del líquido en el depósito solución.
3. Controlar que el filtro de solución (2) esté limpio.
4. La máquina está equipada con electroválvula por lo tanto accionar las palancas mando marcha (9).
5. Si la máquina está equipada con el sistema 3S (ver "GRUPO SISTEMA 3S - SOLUTION SAVING SYSTEM") (opcional), controlar de haber activado el desviador para el caudal de la solución detergente seleccionando entre el sistema tradicional de ajuste por medio del grifo o del sistema de distribución optimal fijo. Además comprobar que el filtro del circuito hidráulico auxiliar de este sistema esté limpio.

Si el desperfecto continua, contactar el centro de asistencia técnica autorizado.



LA MÁQUINA NO LIMPIA BIEN

1. Los cepillos no tienen las cerdas de la dimensión apropiada: contactar con el centro de asistencia técnica autorizado.

2. Los cepillos tienen las cerdas gastadas. Controlar el estado de desgaste de los cepillos y eventualmente sustituirlos (los cepillos tienen que ser sustituidos cuando las cerdas han llegado a una altura de aproximadamente 15mm).

Para la sustitución de los cepillos ver "DESMONTAJE DE LOS CEPILLOS" y "MONTAJE DE LOS CEPILLOS".

3. La solución detergente no es suficiente: abrir más el grifo.

4. Controlar que el detergente sea en el porcentaje aconsejado.

5. Aumentar la presión de la bancada cepillos (ver en el párrafo "REGLAJE DE LA PRESIÓN DE LOS CEPILLOS").

Consultar con el centro de asistencia técnica autorizado para una sugerencia.

LA BOQUILLA DE SECADO NO SECA PERFECTAMENTE

1. Controlar que los labios de secado estén limpios.
2. Controlar el reglaje de la altura y la inclinación de la boquilla de secado (ver "REGLAJE DE LA BOQUILLA DE SECADO" en "ANTES DEL EMPLEO").
3. Controlar que el tubo de aspiración esté conectado correctamente en su alojamiento sobre el depósito de recuperación.
4. Intervenir sobre el filtro de aspiración limpiándolo.

5. Sustituir los labios si gastados.
6. Controlar que el interruptor del motor de aspiración esté encendido.

PRODUCCIÓN EXCESIVA DE ESPUMA

Controlar que se haya empleado un detergente de espuma controlada. Eventualmente añadir una mínima cantidad de líquido antiespumante en el depósito de recuperación.
Hay que tener en cuenta que se da una mayor producción de espuma cuando el suelo está poco

sucio. En este caso diluir aún más la solución detergente.

MANTENIMIENTO PROGRAMADO

INTERVENCIÓN	DIARIA	20 HORAS *	200 HORAS *	1000 HORAS *
LIMPIEZA DEPÓSITO DE RECUPERACIÓN	•			
LIMPIEZA FILTRO DE ASPIRACIÓN	•			
LIMPIEZA FILTRO DE SOLUCIÓN		•		
LIMPIEZA DE LOS CEPILLOS	•			
DESMONTAJE DE LOS CEPILLOS Y LIMPIEZA	•			
LIMPIEZA DE LA BOQUILLA DE SECADO	•			
SUSTITUCIÓN DEL LABIO DELANTERO DE LA BOQUILLA DE SECADO			•	
SUSTITUCIÓN DEL LABIO TRASERO DE LA BOQUILLA DE SECADO		•		
SUSTITUCIÓN DEL FALDÓN ANTISALPICADURAS				•
CONTROL DE REGLAJE BOQUILLA DE SECADO		•		
LIMPIEZA DEL TUBO DE LA BOQUILLA DE SECADO		•		
LIMPIEZA DEL DEPÓSITO SOLUCIÓN		•		
CONTROL DEL ELECTRÓLITO BATERÍAS		•		
CONTROL DEL FRENO				•
CONTROL DEL MOTOR DE TRACCIÓN				•
CONTROL DEL MOTOR DE LOS CEPILLOS				•
CONTROL DEL MOTOR DE ASPIRACIÓN			•	
CONTROL DEL GRUPO BANCADA DE LOS CEPILLOS			•	
AJUSTE DE LOS TORNILLOS				•

* * Las horas se refieren a aquellas anotadas sobre el indicador (ver capítulo "CUENTAHORAS").

Formulario de Registro de Garantía

Por favor, suministre información adicional sobre Los equipos Tornado (marque las opciones de abajo)

Fregadoras Automáticas
 Máquinas para pisos a propano
 Pulidoras de Alta Velocidad
 Extractores y Limpiadores de alfombras
 Limpiadoras a vapor
 Equipos con conductor

Barredoras
 Máquina para piso giratoria
 Aspiradoras de alfombras
 Aspiradoras en Seco/Húmedo
 Aspiradoras grandes
 Lavadoras a presión

Vea la información completa de los productos en www.tornadovac.com

Agente de Venta: (Obligatorio) _____

Por favor, completar en letra de imprenta clara

Compañía/Institución	
Nombre del contacto	Cargo
Dirección	Ciudad/Estado/Código Postal
Teléfono	Fax
Fecha de compra	Email

Ver la información en placa de metal o etiqueta blanca de la unidad	
TIPO DE MÁQUINA/NÚMERO DE MODELO:	NÚMERO DE SERIE DE LA MÁQUINA:
1.	1.
2.	2.
3.	3.
4.	4.

Descripción de las Instalaciones (por favor, marque con un círculo todas las que correspondan)

- | | | |
|-------------------------|-----------------------------|--|
| 1. Escuela | 9. Hospital | 17. Oficinas del gobierno estadounidense |
| 2. Tienda minorista | 10. Residencia geriátrica | 18. Otras dependencias del gobierno |
| 3. Restaurant | 11. Institución religiosa | 19. Auto-servicio |
| 4. Edificio de oficinas | 12. Aeropuerto | 20. Aeropuerto |
| 5. Servicio de limpieza | 13. Depósito | 21. ONG |
| 6. Fabricación liviana | 14. Departamento/Condominio | 22. Otra (especificar) |
| 7. Fabricación pesada | 15. Depósito | |
| 8. Facultad/Universidad | 16. Supermercado | |

¿Cómo conoció los equipos de mantenimiento y limpieza Tornado?	En pies cuadrados (metros)	
	Superficie total de pisos duros	Superficie total alfombrada Pies cuadrados (metros cuadrados)
<input type="checkbox"/> Me contactó un agente local	<input type="checkbox"/> 0-10.000 (0-930)	<input type="checkbox"/> 0-10.000 (0-930)
<input type="checkbox"/> Ya tenía experiencia con los productos Tornado	<input type="checkbox"/> 10-50.000 (930-4.650)	<input type="checkbox"/> 10-50.000 (930-4.650)
<input type="checkbox"/> Reputación/Recomendación	<input type="checkbox"/> 50-250.000 (4.650-23.250)	<input type="checkbox"/> 50-250.000 (4.650-23.250)
<input type="checkbox"/> Publicidad	<input type="checkbox"/> Más de 250.000 (más de 23.250)	<input type="checkbox"/> Más de 250.000 (más de 23.250)
<input type="checkbox"/> Correo directo		
<input type="checkbox"/> Internet		
<input type="checkbox"/> Otra forma		

Sírvase devolver a:
 Tornado Industries
 3101 Wichita Court
 Fort Worth, TX 76140
 Fax: 817-551-0719
 o en línea en
www.tornadovac.com



Esta garantía no cubre los daños o defectos ocasionados por abuso, negligencia o mal uso. Dependiendo de su máquina específica, se podrán aplicar otros ítems. En caso de defectos, la garantía se anulará si intenta reparar la máquina en un Centro de Reparaciones de Tornado No Autorizado

SOMMAIRE

LEGENDE TABLEAU DE BORD ET CONTROLES	34	Dispositif trop plein	40
LEGENDE MACHINE	34	ARRET DE LA MACHINE A LA FIN DU NETTOYAGE	41
ENSEMBLES OPTIONNELS	35	ENTRETIEN JOURNALIER	41
CARACTERISTIQUES TECHNIQUES	35	Nettoyage du réservoir de récupération	41
AVANT-PROPOS	36	Nettoyage du filtre d'aspiration	41
NORMES GENERALES DE SECURITE	36	Nettoyage des brosses	41
SYMBOLOGIE	36	Demontage des brosses	41
AVANT UTILISATION	37	Nettoyage du suceur	41
Déplacement de la machine emballée	37	ENTRETIEN HEBDOMADAIRE	41
Déballage de la machine	37	Remplacement de la bavette arrière du suceur	41
Installation des batteries et réglage du type batterie	37	Nettoyage tuyau du suceur	41
Chargeur des batteries	37	Suceur version "V" (optionnel)	42
Chargeur batteries incorporé (optionnel)	37	Suceur version "V" (optionnel): Remplacement bavette arrière	42
Recharge des batteries	37	Nettoyage du réservoir solution et filtre	42
Recharge batteries avec le chargeur incorporé (optionnel)	37	ENTRETIEN BIMESTRIEL	42
Elimination des batteries	38	Remplacement de la bavette avant du suceur	42
Indicateur niveau de charge des batteries	38	Suceur version "V" (optionnel): Remplacement bavette avant	42
Compteur horaire	38	ENTRETIEN SEMESTRIEL	42
Montage du suceur	38	Remplacement de la bavette de protection	42
Réglage du suceur	38	Contrôle du frein	43
Montage de la bavette de protection	38	CONTROLE DE FONCTIONNEMENT	43
Montage des brosses	39	Signalisations sur l'indicateur	43
Réservoir de récupération	39	Le moteur d'aspiration ne fonctionne pas	43
Réservoir de la solution détergente	39	Le moteur des brosses ne fonctionne pas	43
Groupe système 3S "Solution Saving System" (optionnel)	39	Le moteur de traction ne fonctionne pas	43
NETTOYAGE DES SOLS	39	L'eau sur les brosses n'est pas suffisante	43
Connexion des batteries à la machine	39	La machine ne nettoie pas bien	43
Actionnement de la machine	40	Le suceur ne sèche pas parfaitement	43
Avance	40	Production excessive de mousse	43
Réglage vitesse	40	ENTRETIEN PROGRAMME	44
Frein de travail	40	BROSSES CONSEILLEES	44
Frein d'urgence	40	GARANTIE LIMITEE DE LA PROTECTION A LONG TERME DE L'ACHETEUR	45
Réglage de la pression des brosses	40		
Dispositif de protection surcharge du moteur des brosses	40		



Garantie limitée à long terme pour la protection des achats

Tornado Industries, Inc (Tornado) garantit au client utilisateur final que les produits Tornado seront exempts de défauts de matériaux et de fabrication pour la durée décrite ci-dessous. Cette garantie limitée **NE** couvre **PAS** les machines et/ou les composants soumis à une usure normale, des dégâts qui se produisent en cours de transport, les défaillances résultant d'une modification, un accident, un environnement d'exploitation inapproprié, une mauvaise utilisation, l'abus, la négligence ou l'entretien inapproprié. Pour plus de détails, contactez votre distributeur agréé Tornado, le Centre de service, ou le Service technique Tornado. Les représentants de vente et du service Tornado ne sont pas autorisés de supprimer ou modifier les conditions de cette garantie, ou d'augmenter les obligations de Tornado en vertu de la garantie.

10 ans*

Les réservoirs d'eau en plastique et les pièces moulées pour rotation

2 ans*

Les pièces sur tous les équipements de nettoyage Tornado

1 an*

Le travail sur tous les équipements de nettoyage Tornado

1 an*

La garantie des batteries, un an au prorata.

Toutes les garanties de la batterie sont traitées directement par le fabricant de la batterie, sur une année au prorata

Les conditions sont sujettes à changement sans préavis.

1. Sauf toutes les ventilateur-sécheurs, de côté et descendant, les ventilateurs d'isolation, TV2 SS, CV 30, CV 38, CK14/1 PRO, CK14/2 PRO, SWM 31/9, CK LW 13/1, CK LW 13/1 ROAM, Double CV 38/48, PV6, PV10 PV6 ROAM, Wall Mount, de Windshear™, toutes les balayeuses-brosses, les aspirateurs à traineau sec, et tous les chargeurs sont garantis pendant 1 (un) an pour les pièces et le travail.
2. Tous les articles des pièces non-usures acheté après l'expiration de la garantie sont garantis pendant 90 jours.
3. La garantie commence à la date de la vente au consommateur ou, à la discrétion de Tornado, 6 mois après que le concessionnaire ait acheté l'appareil de Tornado, selon la première éventualité.
4. L'EB 30 est garanti pour une période de 90 jours pour les pièces et le travail
5. La garantie pour les moteurs utilisés sur les appareils au propane est limitée à la garantie du fabricant du moteur.
6. Les laveuses à conducteur porté sont garanties pour 24 mois pour les pièces, pour 6 mois de travail ou pour 1 000 heures, selon la première éventualité.

Note: Tornado, The Latest Dirt, Floorkeeper, Carpetkeeper, Carpetrinser, Carpetrinser/Dryer, Headmaster, Taskforce, PAC-VAC, T-Lite, Glazer, Windshear, Max-Vac, et Trot-Mop sont les marques de Tornado Industries

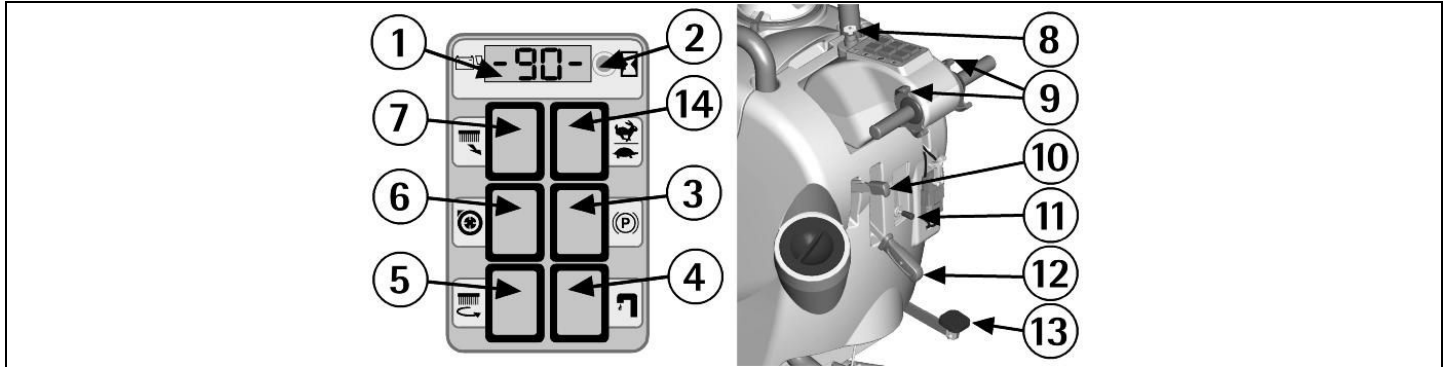
Site Web: www.tornadovac.com
Téléphone 1.800.VACUUMS
Télécopieur: 817-551-0719
Adresse: 3101 Wichita Court
Fort Worth, TX 76140

Formulaire F2662. © 2017. Tous droits réservés



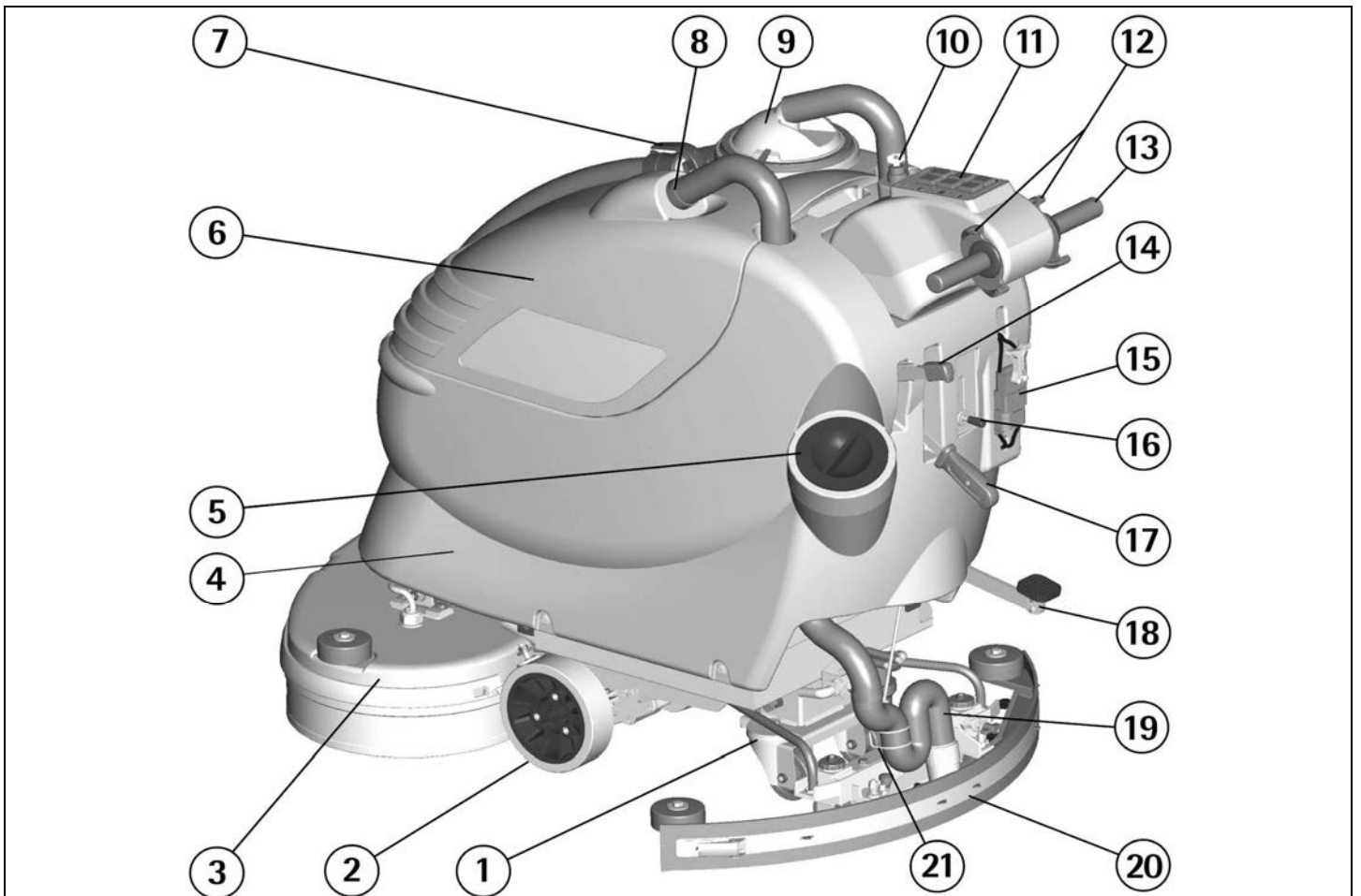
LEGENDE TABLEAU DE BORD ET CONTROLES

- | | |
|--|--|
| 1. INDICATEUR NIVEAU DE CHARGE BATTERIES/COMPTEUR HORAIRE | 8. INTERRUPTEUR A CLEF |
| 2. BOUTON POUSSOIR VISUALISATION COMPTEUR HORAIRE (INDICATEUR) | 9. LEVIERS COMMANDE DE MARCHÉ |
| 3. TEMOIN DE FREIN INSERE | 10. LEVIER FREIN DE STATIONNEMENT / D'URGENCE |
| 4. INTERRUPTEUR ELECTROVANNE / COMMUTATEUR SYSTEME 3S (OPT.) | 11. LEVIER ROBINET |
| 5. INTERRUPTEUR MOTEUR DES BROSSES | 12. LEVIER DE RELEVAGE SUCEUR |
| 6. INTERRUPTEUR MOTEUR D'ASPIRATION | 13. PEDALE DE RELEVAGE GROUPE D'EMBASE DES BROSSES |
| 7. BOUTON POUSSOIR DECROCHAGE BROSSÉ | 14. INTERRUPTEUR SELECTION VITESSE |

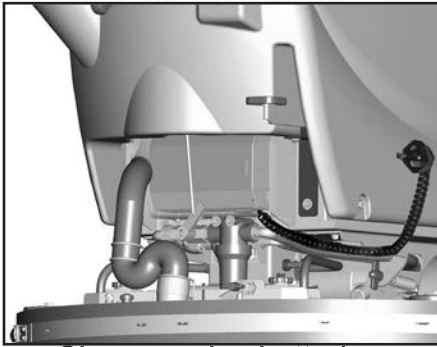


LEGENDE MACHINE

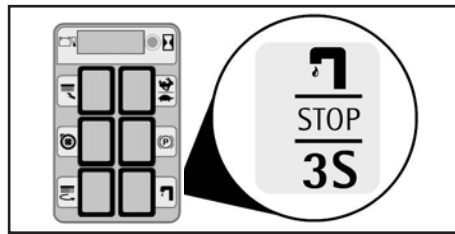
- | | |
|---|--|
| 1. ROUES PIVOTANTES | 11. TABLEAU DE BORD |
| 2. ROUES | 12. LEVIERS COMMANDE DE MARCHÉ |
| 3. GROUPE D'EMBASE DES BROSSES | 13. POIGNEES DE TIMON |
| 4. RESERVOIR DE SOLUTION | 14. LEVIER FREIN DE STATIONNEMENT / D'URGENCE |
| 5. BOUCHON REMPLISSAGE SOLUTION DETERGENTE | 15. CONNECTEUR DES BATTERIES |
| 6. RESERVOIR DE RECUPERATION | 16. LEVIER ROBINET |
| 7. BOUCHON DE VIDANGE RESERVOIR DE RECUPERATION | 17. LEVIER DE RELEVAGE SUCEUR |
| 8. LOGEMENT D'ENTREE TUYAU DE SUCEUR | 18. PEDALE DE RELEVAGE GROUPE D'EMBASE DES BROSSES |
| 9. COUVERCLE D'ASPIRATION | 19. TUYAU DU SUCEUR |
| 10. INTERRUPTEUR A CLEF | 20. ENSEMBLE DE SUCEUR |
| | 21. RESSORT GUIDE TUYAU DE SUCEUR |



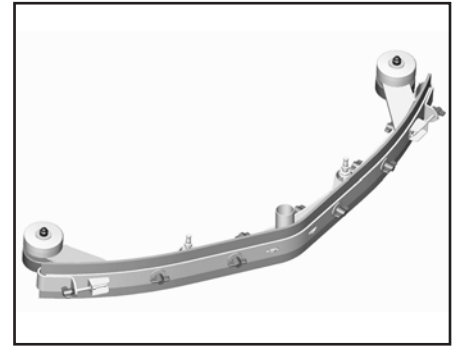
ENSEMBLES OPTIONNELS



Chargeur des batteries
incorpore



Groupe systeme 3S (Solution
Saving System)



Suceur version "V"

CARACTERISTIQUES TECHNIQUES	U/M	BD26/14
Largeur de travail	mm/in	660/26
Largeur de suceur	mm/in	850/34
Capacite de travail, jusqu'a	sqm/h/sqft/h	3000/32,292
Diametre des brosses	mm/in	2x345/13
Vitesse de rotation des brosses	rpm	200
Pression sur les brosses	kg/lbs	50/110 max
Moteur des brosses	W/A	800/33
Moteur de traction	W/A	180/7.5
Type d'avancement		autom.
Vitesse d'avancement 1. marche	km/h/mph	3.2/2
Vitesse d'avancement 2. marche	km/h/mph	4.5/2.8
Pente maximum		10%
Moteur d'aspiration	W/A	570/24
D'pression d'aspiration	Mbar/in water lift	120/48
Reservoir d'eau propre	l/Gallons	53/14
Reservoir de recuperation	l/Gallons	56/15
Longueur machine	mm/in	1360/54
Hateur machine	mm/in	1098/43
Largeur machine (sans suceur)	mm/in	720/28
Capacite des batteries	V/Ah5h	24/180
Poids des batteries	Kg/lbs.	144/318
Compartiment des batteries	mm/in	390x405x374/15x16x15
Poids de la machine (a vide et sans les batteries)	Kg/lbs	111/225
Niveau de pression acoustique (selon les normes IEC 704/1)	dB(A)	67
Niveau de vibration	m/sqs	0,45
Classe		III
Degre de protection	IP	X3
Tension d'alimentation	V	24

AVANT-PROPOS

Nous vous remercions pour avoir choisi notre machine. Cette machine est une autolaveuse qui vient utilisée pour le nettoyage industriel et civil pour tout type de revêtement. Durant sa translation, l'action combinée des brosses et de la solution détergente enlève la saleté qui vient récupérée avec le groupe d'aspiration arrière, en permettant un séchage parfait et immédiat du sol.

La machine doit être utilisée seulement dans ce but. Elle fournit les meilleures performances si elle est utilisée correctement et maintenue efficacement. Nous vous prions de bien vouloir lire cette brochure d'instruction pour la mise en route et l'entretien de votre machine. En cas de nécessité, notre service d'assistance est à disposition pour tout conseil ou intervention.

NORMES GENERALES DE SECURITE

Les normes indiquées doivent être suivies scrupuleusement pour éviter des dommages pour l'opérateur et la machine.

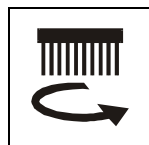
- Lire avec attention les étiquettes sur la machine. Ne pas les effacer et les remplacer immédiatement en cas d'altération.
- La machine doit être utilisée exclusivement par du personnel autorisé et informé sur l'utilisation.
- Pendant le fonctionnement de la machine, faire attention aux autres personnes et surtout aux enfants.
- En cas de danger agir rapidement sur le frein d'arrêt d'urgence.
- Quand la machine est dans une position de garage, enlever la clef et insérer le frein de stationnement.
- Ne pas mélanger des détergents différents pour éviter des dégagements gazeux.
- Ne pas mettre de bidons de liquide sur la machine.
- Température de stockage: entre -13°F et 131°F (-25°C et +55°C).
- Bonne température d'utilisation: entre 32°F et 104°F (0°C et 40°C).
- L'humidité doit être entre 30 et 95%.
- Ne pas utiliser la machine en atmosphère explosive.
- Ne pas utiliser la machine comme moyen de transport.
- Ne pas utiliser de solution acide qui peut détériorer la machine et/ou les personnes.
- Ne pas utiliser la machine sur des surfaces humides ou poussières inflammables (par exemple hydrocarbures, cendres ou suie).
- En cas d'incendie utiliser un extincteur à poudre. Ne pas utiliser d'eau.
- Ne pas monter de rayonnage ou d'échafaudage lorsqu'il y a des risques de chute d'objets.
- Adapter la vitesse d'utilisation aux conditions d'adhérence.
- Ne pas utiliser la machine sur des surfaces ayant une pente supérieure à celle indiquée sur la plaque signalétique.
- La machine est utilisée pour des opérations de nettoyage et d'aspiration. Les autres opérations devront être effectuées dans des zones interdites au personnel non autorisé. Signaler de façon visible les endroits où le sol est humide.
- En cas d'anomalies dans le fonctionnement de la machine, s'assurer qu'elles ne dépendent pas d'une manquée d'entretien ordinaire. Dans le cas contraire, appeler le service après-vente autorisé.
- En cas de remplacement de pièces, commander les pièces ORIGINALES au distributeur et/ou revendeur autorisé.
- Utiliser seulement des brosses ORIGINALES indiquées dans le paragraphe "BROSSES CONSEILLÉES".
- Pour réaliser les interventions de nettoyage et/ou de manutention, stopper l'alimentation électrique de la machine.
- Ne pas enlever les protections qui réclament des outils pour les déplacer.
- Ne pas laver la machine à grand jets ou avec une haute pression ou avec des produits corrosifs.
- Toutes les 200 heures de travail, faire procéder à un contrôle par un centre d'assistance autorisé.

- Pour éviter l'encrassement du filtre de solution, ne pas remplir le réservoir de solution détergente trop longtemps avant l'utilisation de la machine.
- Avant d'utiliser la machine, vérifier que tous panneaux et carters soient positionnés suivant les indications de ce manuel.
- Avant de soulever le réservoir de récupération s'assurer qu'il soit vide.
- Rétablir toutes les connexions électriques après n'importe quelle intervention d'entretien.
- Pourvoir à l'élimination des pièces consommables en suivant scrupuleusement les normes des lois en vigueur.
- Quand votre machine est à l'arrêt, prévoir d'éliminer dans les conteneurs spéciaux l'huile, les batteries et les composants électroniques en prenant en compte que la machine est fabriquée, où possible, avec des matériaux recyclables.

SYMBOLOGIE



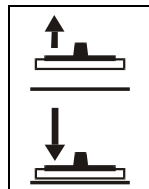
Symbole du robinet.
On l'utilise pour indiquer le levier du robinet.
On l'utilise pour indiquer l'interrupteur de l'électrovanne.



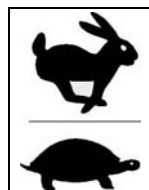
Symbole de la brosse.
On l'utilise pour indiquer l'interrupteur du moteur des brosses.



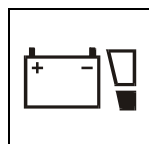
Symbole du moteur d'aspiration.
On l'utilise pour indiquer l'interrupteur du moteur d'aspiration.



Symbole monté-descente du suceur.
On l'utilise pour indiquer le levier du suceur.



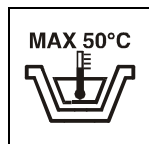
Symbole pour indiquer l'interrupteur de sélection de la vitesse de la marche.



Symbole du niveau du charge des batteries.



Indicateur du compteur horaire.



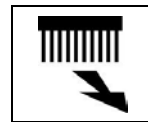
Indication de la température maximale du détergent de la solution. Elle est située près du trou de remplissage du réservoir de solution.



Symbole du frein.
Indication du témoin du frein inséré.



Symbole du frein.
Indication du levier du frein d'urgence et de stationnement.



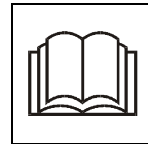
Symbole du décrochage brosse.
Indication du bouton poussoir nécessaire pour le décrochage automatique des brosses.



Symbole du bidon barré.
Indication que à l'arrêt de la machine, elle doit être écoulée conformément aux législations en vigueur.



Symbole de lecture du manuel d'utilisation entretien. Indique à l'opérateur qu'il doit lire le manuel avant d'utiliser la machine.



Symbole de lecture du manuel d'utilisation entretien. Pour une bonne fonctionnement du chargeur des batteries incorporé (optionnel), lire le manuel du constructeur.



Symbole d'avertissement. Lire attentivement les paragraphes précédés de ce symbole, pour la sécurité de l'opérateur et de la machine.

AVANT UTILISATION

DEPLACEMENT DE LA MACHINE EMBALLEE

La machine est fournie avec un emballage spécifique prévu pour le déplacement avec des chariots à fourches. Le poids total est de:

136 kg/300 lbs.

Les dimensions de l'emballage sont:

140 cm x 75 cm (55 in x 30 in)

Hauteur 120 cm (48 in)

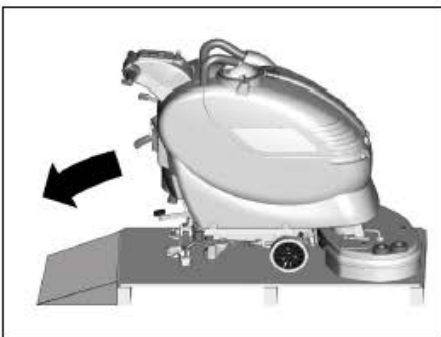
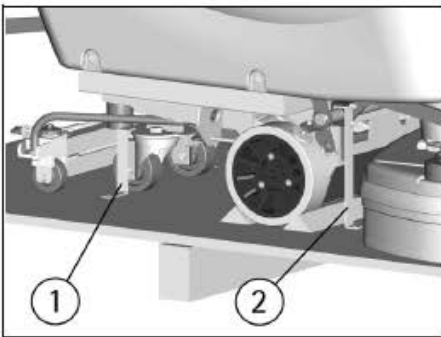


ATTENTION:

Ne pas étagier plus de deux emballages.

DEBALLAGE DE LA MACHINE

1. Enlever l'emballage extérieur.
2. Dévisser les étriers (1 + 2) qui fixent la machine à la palette.
3. Faire descendre la machine de la palette en la poussant dans le sens inverse de la marche, comme indiquée dans la figure, en évitant tout chocs violents aux pièces mécaniques.
4. Conserver la palette et les étriers pour une éventuelle nécessité de transport.



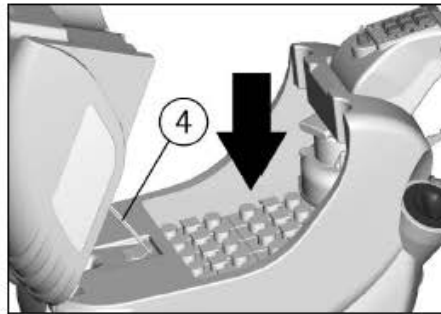
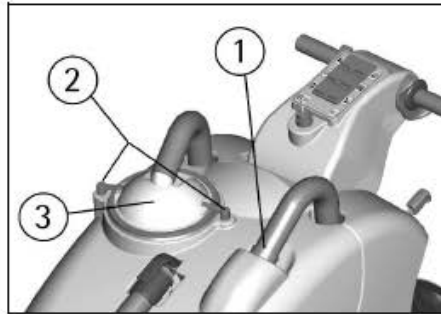
INSTALLATION DES BATTERIES ET REGLAGE DU TYPE BATTERIE

La machine réclame l'utilisation ou de deux batteries à 12 Volt connectées en série ou des éléments du type DIN groupés et connectés en série pour un total de 24 Volt, logées dans le compartiment prévu sous le réservoir de récupération et doivent être déplacées avec des moyens de levage appropriés (tant pour le poids, d'évaluer en fonction des batteries choisies, que pour le système d'accrochage). Les batteries doivent en outre répondre aux demandes de la Norme CEI 21-5.

Pour l'installation des batteries il est nécessaire de:

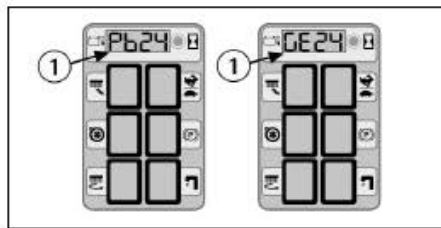
1. Enlever le tuyau du suceur (1).
2. Enlever le couvercle d'aspiration (2) depuis avoir tourné les leviers (3) qui le bloquent.
3. Soulever le réservoir de récupération en le tournant et le fixer avec la tige appropriée (4).
4. Positionner les batteries dans son logement.

5. Connecter les bornes en respectant les polarités et en faisant attention de ne pas mettre en court-circuit les batteries avec des outils.
6. Remonter le tout.



ATTENTION:

La machine et sa plaque des batteries prévoient l'utilisation des batteries traditionnelles au plomb. **VERIFIER LE REGLAGE DE LA PLAQUE SUR L'INDICATEUR (1).** Dans le cas d'un montage de batteries au GEL, il est nécessaire d'effectuer le réglage de la plaque électronique. Nous vous prions de bien vouloir appeler le service d'assistance technique autorisé.



ATTENTION:

Pour l'entretien et la recharge des batteries, il est indispensable de se conformer scrupuleusement aux instructions du constructeur ou de son représentant. Toutes les opérations d'installation et d'entretien doivent être réalisées par du personnel qualifié, en utilisant des dispositifs de protection appropriés.

CHARGEUR DES BATTERIES

S'assurer que le chargeur des batteries soit adapté aux batteries installées pour la capacité ainsi que pour le type (plomb/acide ou GEL et équivalents).

Dans le sac qui contient le livret d'emploi et d'entretien, on vous fournit le connecteur d'accouplement pour le chargeur des batteries. Ce connecteur doit être monté sur les câbles du chargeur en suivant les instructions fournies du constructeur du chargeur.



ATTENTION:

Cette opération doit être réalisée par du personnel qualifié. Une connexion erronée ou imparfaite des câbles au connecteur peut causer des dommages sérieux aux personnes ou à d'autres choses.

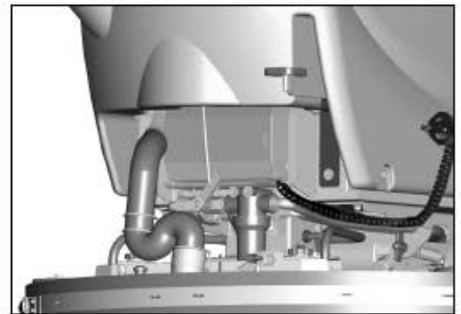
CHARGEUR BATTERIES INCORPORE (OPTIONNEL)

Si la machine est équipée avec le chargeur des batteries incorporé (voir dans "ENSEMBLES OPTIONNELS") on renvoie aux instructions du constructeur de cet dispositif pour les opérations de recharge.

Le chargeur des batteries est connecté directement aux pôles des batteries.

Pendant les opérations de recharge un dispositif est activé qui ne permet pas le fonctionnement de la machine.

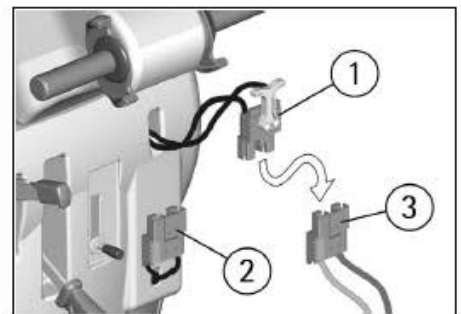
Le câble d'alimentation du chargeur des batteries a une longueur maximale de deux mètres (6.5 ft.) et doit être connecté à une prise monophasé type CEE 7/7.



RECHARGE DES BATTERIES

Amener la machine sur une surface plate.

1. Insérer le connecteur des batteries (1) situé dans la partie arrière de la machine, au connecteur (3) du chargeur des batteries.
2. Procéder à la recharge en maintenant soulevé le réservoir (voir dans le paragraphe "ACCES AU COMPARTIMENT DES BATTERIES" dans "AVANT UTILISATION").
3. Maintenir la connexion avec le chargeur jusqu'à quand l'indication de fin de charge ne vient pas visualisée.

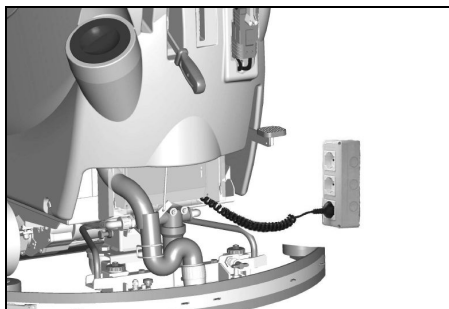


RECHARGE BATTERIES AVEC LE CHARGEUR INCORPORE (OPTIONNEL)

Amener la machine sur une surface plate près d'une prise du réseau monophasé avec tension 120V, fréquence 60Hz, courant nominal 10A.

Actionner les interrupteurs du moteur des brosses et du moteur d'aspiration pour les stopper.

1. Insérer la fiche dans la prise de courant.
2. Procéder à la recharge en maintenant soulevé le réservoir (voir dans le paragraphe "ACCES AU COMPARTIMENT DES BATTERIES" dans "AVANT UTILISATION").
3. Ne pas enlever la fiche du réseau jusqu'à quand l'indication de fin de charge ne vient pas visualisée. A la fin de la phase de recharge, enlever la fiche de la prise.



ATTENTION:

Ne jamais charger une batterie de type GEL avec un chargeur de batteries non adapté. Suivre scrupuleusement les instructions fournies du fabricant des batteries et du chargeur des batteries.

Pour ne pas provoquer des dommages permanents aux batteries, il est indispensable d'éviter la décharge complète de celle-ci, en pourvoyant à la recharge entre quelques minutes dès l'apparition du signal clignotant indiquant la décharge des batteries.

NOTE: Ne jamais laisser les batteries complètement déchargées même si la machine n'est pas utilisée. Dans le cas des batteries traditionnelles, chaque 20 recharges contrôler le niveau de l'électrolyte et éventuellement remplir avec de l'eau distillée.

ATTENTION:

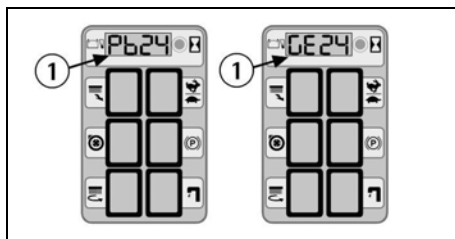
Pour la recharge des batteries, il est indispensable de se conformer scrupuleusement aux instructions fournies du constructeur ou de son représentant. Toutes les opérations d'installation et de maintenance doivent être réalisées par du personnel qualifié. **Danger d'inhalation de gaz et de contact avec des liquides corrosifs. Danger de feu avec des flammes: ne pas s'approcher avec des flammes.**

ELIMINATION DES BATTERIES

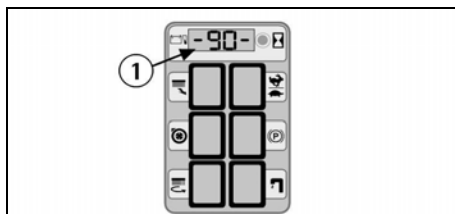
Il est obligatoire de livrer les batteries épuisées, qui sont classifiées comme déchet dangereux, à une organisme autorisée aux termes de la loi pour l'élimination.

INDICATEUR NIVEAU DE CHARGE DES BATTERIES DES L'ALLUMAGE, SUR L'INDICATEUR APPARAÎT LE REGLAGE DE LA PLAQUE DES BATTERIES:

GE 24: plaque réglée pour batteries au GEL.
Pb 24: plaque réglée pour batteries au plomb.

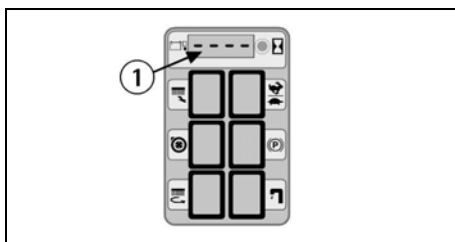


L'indicateur de niveau de charge des batteries (1) est digital et indique le pourcentage de charge des batteries. 90 est la charge maximale, jusqu'à un minimum de 10 en indiquant chaque diminution de 10%. Quand la charge arrive à 20%, l'indicateur commence à clignoter, on est donc prochain à la fin du travail.



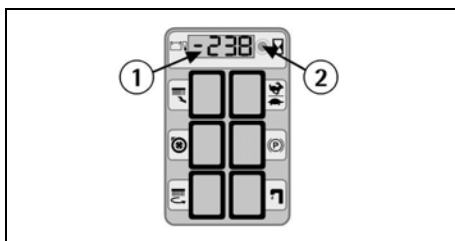
ATTENTION:

Dès l'apparition des quatre traits clignotants, le moteur des brosses s'arrête automatiquement. Avec la charge résiduelle, il est toutefois possible de finir le travail de séchage avant d'effectuer la recharge.



COMPTEUR HORAIRE

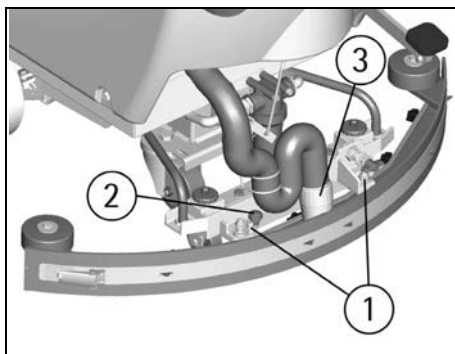
La machine est équipée avec un compteur horaire. Sa lecture est activée sur le même indicateur de charge des batteries (1) en appuyant sur le bouton poussoir (2) pour plus de trois secondes. La première lecture indique les heures travaillées et depuis quelques instants la deuxième lecture indique les minutes travaillées.



MONTAGE DU SUCEUR

Avec le support du suceur légèrement soulevé du sol, faire glisser les deux colonnettes (1) situées sur la partie supérieure du suceur, à l'intérieur des boutonnières présentes sur le support. Bloquer le suceur en tournant le levier (2) dans le sens des aiguilles d'une montre.

Enclencher le tuyau du suceur (3) dans son manchon, en respectant sa position comme indiquée dans la figure.



REGLAGE DU SUCEUR

Afin de garantir un séchage parfait du suceur, la bavette arrière doit avoir une courbure du bord inférieur sur toute sa longueur. Pour le réglage il est nécessaire de se mettre dans les conditions de travail et par conséquent avec l'aspirateur allumé et les brosses en état de marche avec la solution détergente.

Le bord inférieur est trop courbé

Enlever la pression en agissant sur l'écrou papillon (4) dans le sens inverse aux aiguilles d'une montre.

Le bord inférieur est peu courbé

Augmenter la pression en agissant sur l'écrou papillon (4) dans le sens des aiguilles d'une montre.

La courbure n'est pas uniforme

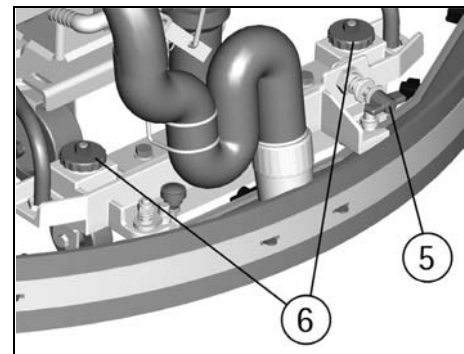
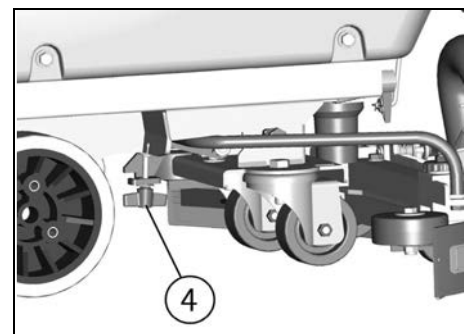
Régler l'inclinaison du suceur en agissant sur le registre (5) dans le sens inverse aux aiguilles d'une

montre pour augmenter la courbure sur la partie centrale, ou dans le sens des aiguilles d'une montre pour augmenter sur les extrémités.

Réglage hauteur

Une fois réglées la pression et l'inclinaison du suceur, il faut fixer cette situation optimale en faisant effleurer les roues sur le sol. Tourner dans le sens inverse aux aiguilles d'une montre les registres (6) pour baisser les roues ou dans le sens des aiguilles d'une montre pour les soulever. Les deux roues doivent être réglées de la même mesure.

Une étiquette située à la proximité des deux registres (6) indique le sens de rotation pour augmenter ou réduire la hauteur.



ATTENTION:

Chaque type de sol a besoin d'un réglage spécifique. Par exemple, sols en béton (où la friction est importante) ont besoin de peu pression, pendant que sols lisses (céramique) ont besoin d'une pression plus grande.

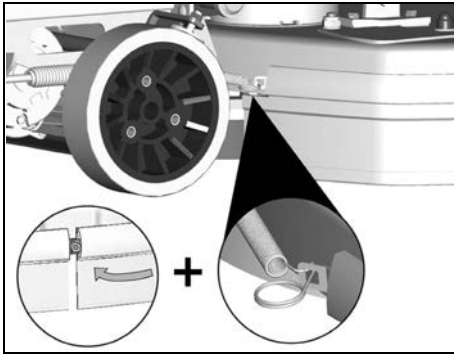
Si on travaille toujours sur le même type de sol, le réglage peut changer seulement en fonction de l'usure des bavettes.

MONTAGE DE LA BAVETTE DE PROTECTION

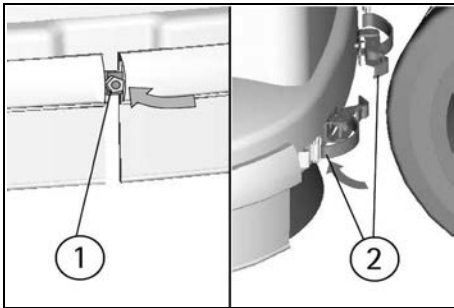
Les deux bavettes de protection doivent être montées sur le groupe d'embase des brosses. Insérer les lames métalliques à l'intérieur des fentes appropriées présentes sur la bavette. Positionner le trou rond à l'extrémité plate de la lame sur la vis située antérieurement du groupe d'embase. Fixer donc les lames avec l'écrou en le bloquant.

Accrocher le ressort dans la partie arrière du groupe d'embase à la boutonnière située à l'extrémité libre de la lame métallique. L'opération doit être effectuée pour les deux bavettes de protection, en faisant attention à réduire au minimum l'espace entre les deux bavettes dans la partie avant du groupe d'embase.

Avec les brosses montées, la bavette de protection doit effleurer le sol.

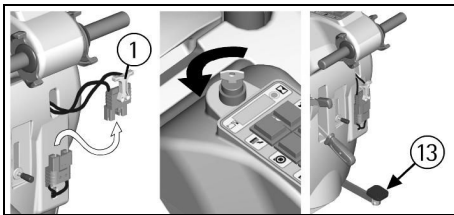


Bloquer les accrochages à levier (2) dans la partie arrière du groupe d'embase aux boutonnières situées aux extrémités libres des lames métalliques. L'opération doit être effectuée pour les deux bavettes de protection, en faisant attention à réduire au minimum l'espace entre les deux bavettes dans la partie avant du groupe d'embase. Avec les brosses montées, la bavette de protection doit effleurer le sol.

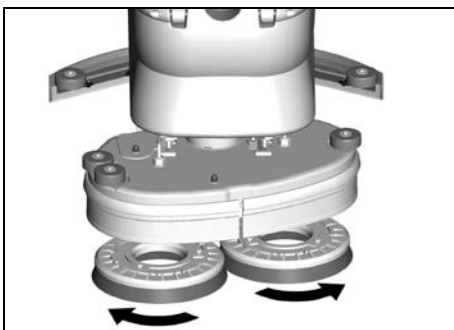


MONTAGE DES BROSSES

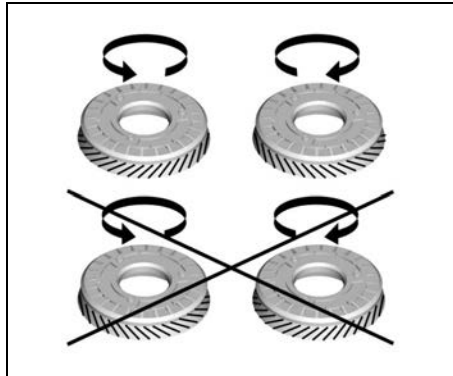
1. Couper l'alimentation électrique au moteur des brosses en détachant le connecteur des batteries (1). Tourner la clef dans le sens inverse aux aiguilles d'une montre.
2. En agissant sur la pédale (13) remonter l'embase.



3. Avec l'embase remonté, enclencher les brosses dans la siége du plateau sous l'embase et les tourner jusqu'à loger les trois boutons métalliques dans les lumières du plateau porte brosse; tourner énergiquement les brosses, de façon de pousser le bouton vers le ressort d'accrochage pour obtenir le blocage. Les figures indiquent le sens de rotation pour la mise en place des brosses.



On conseille d'invertir chaque jour la position des brosses afin d'en assurer un emploi plus durable. Si les brosses sont déformées inévitablement nous vous conseillons de les remonter dans la même position, pour éviter qu'une inclinaison différente des brins provoque des efforts excessifs au moteur ou soit cause des vibrations désagréables.



ATTENTION:

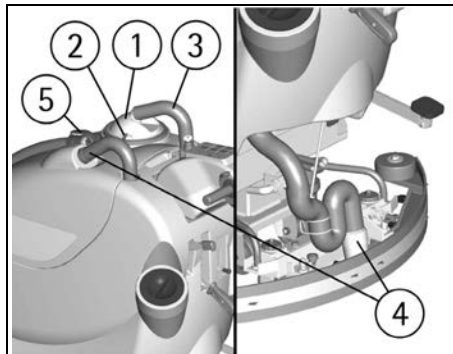
Réaliser les opérations du montage des brosses avec l'alimentation insérée peut provoquer des accidents aux mains.

ATTENTION:

Utiliser seulement les brosses fournies avec la machine ou lesquelles spécifiées dans le paragraphe "BROSSES CONSEILLÉES". L'utilisation des autres brosses peut compromettre la sûreté.

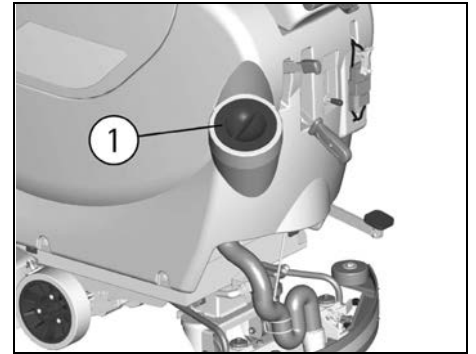
RESERVOIR DE RECUPERATION

Contrôler que le couvercle du filtre d'aspiration (1) soit correctement bloqué, après avoir tourné les leviers (2) et qu'il soit correctement connecté au tuyau du moteur d'aspiration. Vérifier aussi que le tuyau du suceur (4) soit correctement enclenché dans ses sièges et que le bouchon du tuyau de vidange (5), situé dans la partie avant de la machine, soit fermé.



RESERVOIR DE LA SOLUTION DETERGENTE

La capacité du réservoir de solution est indiquée dans les caractéristiques techniques. Dévisser le bouchon de remplissage (1) qui se trouve à l'arrière dans le côté gauche de la machine et remplir le réservoir de solution avec de l'eau propre, à une température inférieure à 50°C (122°F). Ajouter le détergent liquide à la concentration et avec les modalités prévues par le fabricant. Pour éviter la formation d'une quantité excessive de mousse, qui nuirait au moteur d'aspiration, utiliser un pourcentage minimum de détergent. Visser le couvercle du réservoir de solution.



ATTENTION:

Utiliser toujours du détergent à mousse modérée. Pour éviter avec sécurité la production de la mousse, avant de commencer le travail, introduire dans le réservoir de récupération une quantité minimale de liquide antimousse.

Ne pas utiliser des acides à l'état pur.

GRUPE SYSTEME 3S "SOLUTION SAVING SYSTEM" (OPTIONNEL)

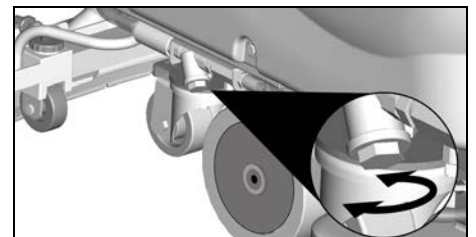
Le système est composé d'un circuit hydraulique parallèle au traditionnel qu'on peut habiliter ou désactiver directement du tableau de bord par le déviateur à trois positions en l'actionnant comme dans la figure selon le critère choisi:

(1) = Position robinet avec le fonctionnement traditionnel du réglage du débit par le robinet.
(2) = Position STOP avec le fonctionnement sans débit (seulement séchage).
(3) = Position 3S avec le fonctionnement à production optimale fixe.



Le circuit hydraulique du système 3S est indépendant et il vient fourni de son filtre, qui doit être nettoyé périodiquement.

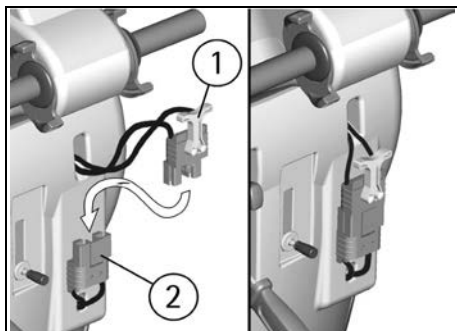
Pour le nettoyage il est nécessaire de dévisser le bouchon comme dans la figure et nettoyer le filtre intérieur avec un jet d'eau.



NETTOYAGE DES SOLS

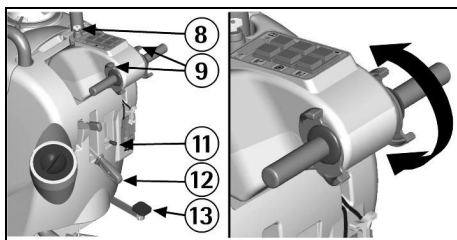
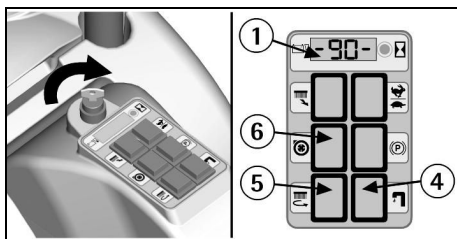
CONNEXION DES BATTERIES A LA MACHINE

Connecter le connecteur des batteries (1) au connecteur de la machine (2), situé dans la partie arrière de la machine.



ACTIONNEMENT DE LA MACHINE

1. Tourner la clef (8) dans le sens des aiguilles d'une montre.
 2. Contrôler le type des batteries et l'état de charge sur l'indicateur (1).
 3. Presser l'interrupteur du moteur des brosses (5).
 4. Presser l'interrupteur moteur d'aspiration (6).
 5. Presser l'interrupteur de l'électrovanne (4).
- Sur la machine équipée avec le système 3S (optionnel), on doit appuyer aussi sur le déviateur approprié pour activer le débit de la solution détergente en choisissant entre le système traditionnel du réglage avec le robinet ou avec le système du débit optimal fixe (voir dans le paragraphe "GROUPE SYSTEME 3S SOLUTION SAVING SYSTEM").
6. En agissant sur la pédale de relevage du groupe d'embase des brosses (13) faire descendre l'embase.
 7. En agissant sur le levier (11) du robinet ouvrir et régler la quantité de la solution détergente. Le débit de la solution détergente sera actionné automatiquement en actionnant les leviers commande de marche (9). Sur le tableau de bord s'allumera le témoin de signalisation de l'électrovanne ouverte (4) En relâchant les leviers commande de marche, le débit s'arrêtera.
 8. En agissant sur le levier de relevage suceur (12) baisser le suceur.
 9. En actionnant les leviers commande de marche (9), la machine commencera à avancer, les brosses commenceront à tourner et le suceur commencera l'aspiration.
 10. Pendant les premiers mètres (feet) contrôler que le réglage du suceur garanti un séchage impeccable et que le débit de la solution détergente soit adéquat. Il doit être suffisant pour mouiller uniformément le sol en évitant l'écoulement du détergent du bavettes de protection. On vous fait remarquer que la quantité correcte de la solution détergente est toujours en fonction de la nature du sol, de l'importance de la saleté et de la vitesse.



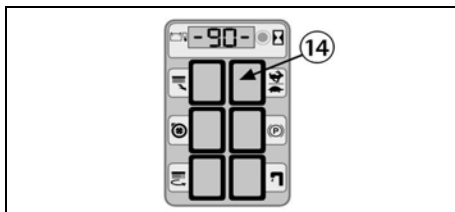
AVANCE

La traction de la machine est obtenue au moyen d'un moteur contrôlé électroniquement.

Pour déplacer la machine il est nécessaire d'agir sur la clef (8) et ensuite on tourne les leviers commande de marche (9) situés sur le timon, en avant pour la marche avant et en arrière pour la marche arrière. La commande agit de manière progressive, par conséquent il est possible de graduer la vitesse selon les propres exigences en tournant le levier tout ce qu'il est nécessaire. En marche arrière, la vitesse est réduite.

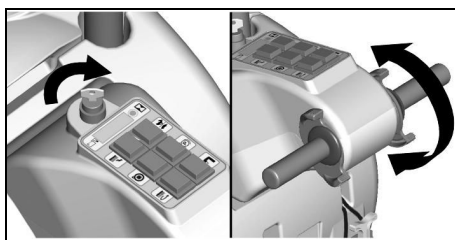
REGLAGE VITESSE

On peut choisir entre deux valeurs de vitesse maximale de travail en marche avant. Régler la vitesse désirée au moyen de l'interrupteur (14) de sélection de la vitesse.



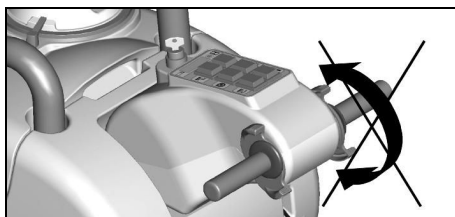
ATTENTION:

En effectuant des déplacements même courts en marche arrière, s'assurer que le suceur soit soulevé.



FREIN DE TRAVAIL

Pour s'arrêter pendant le travail en condition normales, il suffit de relâcher les leviers commande de marche (9) parce que la machine est munie d'un système de freinage électronique. Les brosses et le débit de la solution s'arrêtent automatiquement.

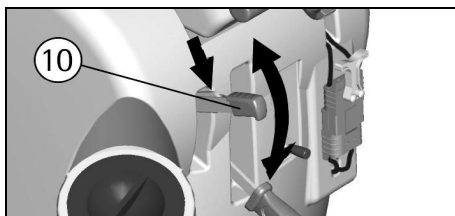


FREIN D'URGENCE

En cas de danger on peut obtenir l'arrêt immédiat en agissant sur le levier du frein d'urgence et de stationnement (10) en le baissant.

ATTENTION:

Cette commande bloque immédiatement la machine. Le frein d'urgence fonctionne aussi comme frein de stationnement. Pour reprendre le travail, libérer le levier en débloquant le bouton de stationnement présent sur le même levier et actionner de nouveau les leviers commande de marche (9).



REGLAGE DE LA PRESSION DES BROSSES

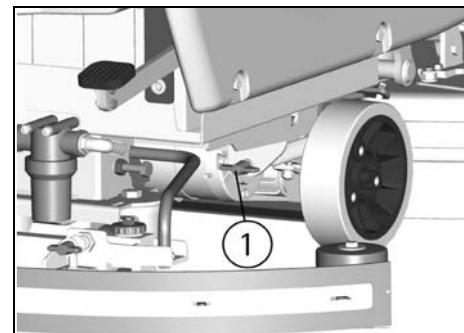
Au moyen du registre (1) il est possible de régler la pression des brosses sur la surface nettoyée.

En tournant l'écrou papillon dans le sens des aiguilles d'une montre la pression augmente, en tournant l'écrou papillon dans le sens inverse aux aiguilles d'une montre la pression est réduite.

Ce dispositif permet une action de lavage plus efficace aussi sur les surfaces plus difficiles et sales.

ATTENTION:

Pour ne pas surcharger le moteur des brosses, il est bon de diminuer la pression des brosses en passant d'un sol lisse à un sol rêche (ex. béton).

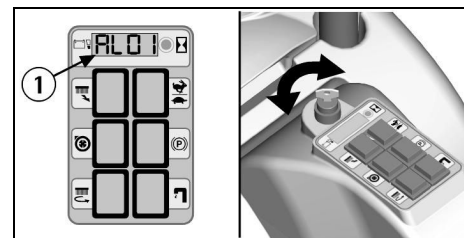


DISPOSITIF DE PROTECTION SURCHARGE DU MOTEUR DES BROSSES

La machine est équipée du dispositif pour le réglage de la pression des brosses. On monte un système de protection que indique sur l'indicateur la surcharge avec le sigle "AL01". Vérifier le réglage de la pression des brosses comme indiqué dans le paragraphe précédent.

ATTENTION:

Pour rétablir le fonctionnement du moteur des brosses, fermer et remettre en fonction la machine en agissant sur l'interrupteur à clef.



DISPOSITIF TROP PLEIN

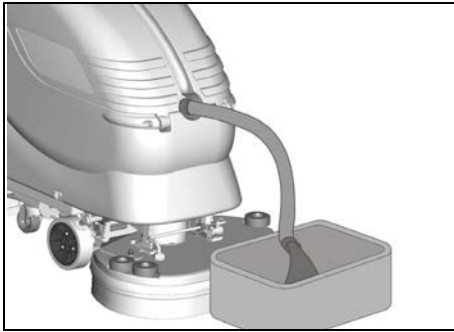
Pour éviter des dommages sérieux au moteur d'aspiration, la machine est équipée d'un flotteur qui intervient quand le réservoir de récupération est plein en provoquant la fermeture du tuyau d'aspiration et par conséquent de l'aspiration.

Dans ce cas, il est nécessaire de procéder à la vidange du réservoir de récupération.

1. Empoigner le tuyau de vidange situé dans la partie avant de la machine.
2. Enlever le bouchon du tuyau de décharge en actionnant le levier situé sur le bouchon et vider le réservoir de récupération dans les bacs prévus, conformément aux lois en vigueur pour ce qui concerne l'élimination des liquides.

ATTENTION:

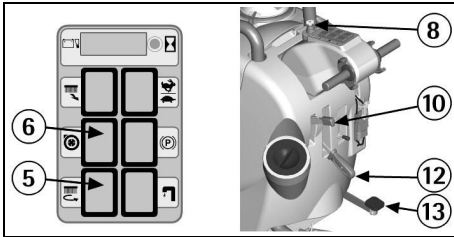
Cette opération doit être effectuée en utilisant des gants pour se protéger du contact avec des solutions dangereuses.



ARRET DE LA MACHINE A LA FIN DU NETTOYAGE

Avant d'exécuter n'importe quel type d'entretien:

1. Stopper l'interrupteur moteur des brosses (5).
2. Stopper l'interrupteur moteur d'aspiration (6).
3. Remonter l'embase en agissant sur la pédale (13).
4. Remonter le suceur en agissant sur le levier (12).
5. Amener la machine à l'endroit prévu pour la vidange de l'eau.
6. Tourner la clef (8) dans le sens inverse aux aiguilles d'une montre.
7. Insérer le frein de stationnement (10).



ENTRETIEN JOURNALIER

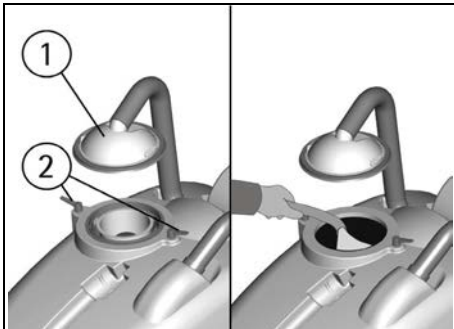
NETTOYAGE DU RESERVOIR DE RECUPERATION

1. Empoigner le tuyau de vidange situé dans la partie avant de la machine.
2. Enlever le bouchon de tuyau de décharge en actionnant le levier situé sur le bouchon et vider le réservoir de récupération dans les bacs prévus.
3. Enlever le couvercle d'aspiration (1) depuis avoir tourné les leviers (2) qui le bloquent.
4. Enlever le filtre et sa protection.
5. Rincer le réservoir avec un jet d'eau.



ATTENTION:

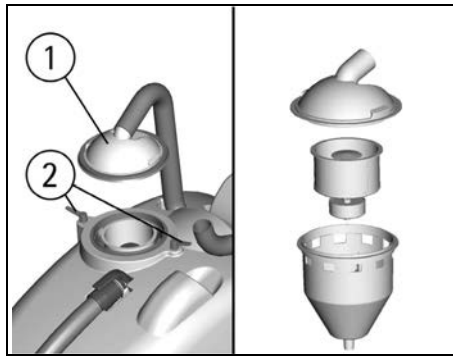
Cette opération doit être effectuée en utilisant des gants pour se protéger du contact avec des solutions dangereuses.



NETTOYAGE DU FILTRE D'ASPIRATION

1. Enlever le couvercle d'aspiration (1) depuis avoir tourné les leviers (2) qui le bloquent.
2. Enlever le filtre et sa protection.
3. Avec un jet d'eau nettoyer tout le group et particulièrement les parois et le fond du filtre.

4. Faire toutes les opérations de lavage avec soin.
5. Remonter le tout.

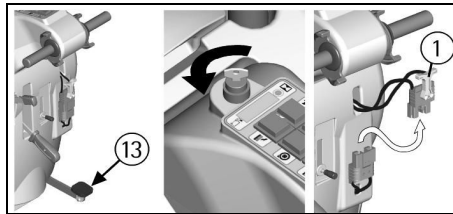


NETTOYAGE DES BROSSES

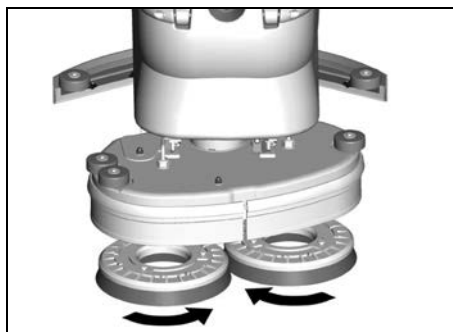
Démonter les brosses et les nettoyer avec un jet d'eau (pour le démontage des brosses voir ensuite "DEMONTAGE DES BROSSES").

DEMONTAGE DES BROSSES

1. Remonter l'embase en agissant sur la pédale (13).
2. Tourner la clef dans le sens inverse aux aiguilles d'une montre.
3. Enlever l'alimentation électrique au moteur des brosses en détachant le connecteur des batteries (1).



4. Avec l'embase en position soulevé, tourner la brosse dans le sens indiqué dans la figure, afin qu'elle sorte de la siège du plateau porte-brosse. Les figures indiquent le sens de rotation pour démonter les brosses.



ATTENTION:

Pendant l'opération de démontage AUTOMATIQUE, s'assurer qu'il n'y a pas des personnes ou objets près des brosses. Réaliser les opérations du démontage des brosses MANUEL avec l'alimentation insérée peut provoquer des graves accidents aux mains.



ATTENTION:

Réaliser les opérations du démontage des brosses avec l'alimentation insérée peut provoquer des graves accidents aux mains.



ATTENTION:

Les opérations de la manipulation des brosses doivent être effectuées en utilisant des gants appropriés pour se protéger tant mécaniquement du contact

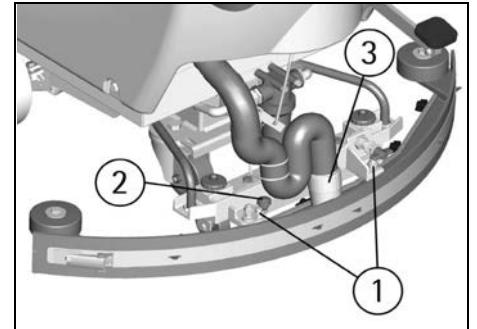
avec les brins que du risque chimique pour le contact avec des solutions dangereuses.

NETTOYAGE DU SUCEUR

Maintenir le suceur propre est garantie d'un séchage meilleur.

Pour sa nettoyage il est nécessaire de:

1. Enlever le tuyau de suceur (3) du manchon.
2. Démontez le suceur du support en tournant le levier (2) dans le sens inverse aux aiguilles d'une montre et en faisant glisser les colonnettes (1) dans les boutonnières correspondantes.
3. Nettoyer soigneusement l'intérieur de l'embrayage sur le suceur en éliminant éventuels déchets de sale.
4. Nettoyer soigneusement les bavettes du suceur.
5. Remonter le tout.



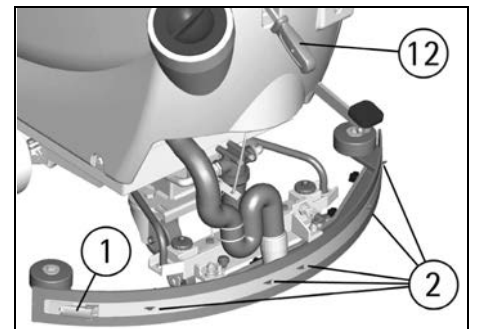
ENTRETIEN HEBDOMADAIRE

REPLACEMENT DE LA BAVETTE ARRIERE DU SUCEUR

Contrôler l'état d'usure de la bavette du suceur et éventuellement la tourner ou la remplacer.

Pour le remplacement il est nécessaire de:

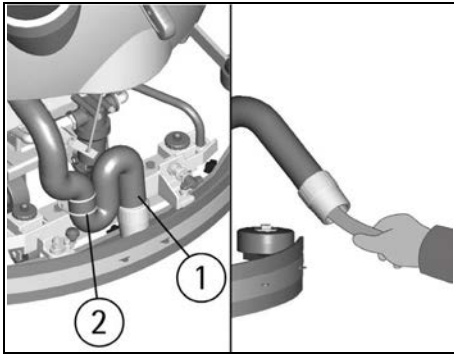
1. Remonter le suceur en agissant sur le levier (12).
 2. Décrocher la fermeture (1) de la lame presse-bavette et enlever la bavette.
 3. Tourner le bord ou remplacer la bavette.
- Pour remonter le suceur répéter au contraire les opérations susdites en introduisant dans les guides appropriés (2) la bavette remplacée et en fixant la lame presse-bavette.



NETTOYAGE TUYAU DU SUCEUR

Chaque semaine ou en cas d'aspiration insuffisante il est nécessaire de contrôler que le tuyau du suceur ne soit pas obstrué. Eventuellement, pour le nettoyer, procéder de la façon suivante:

1. Enlever le tuyau du manchon du suceur (1) et décrocher le ressort guide tuyau du suceur (2).
2. Laver l'intérieur du tuyau avec un jet d'eau du côté de l'insertion du suceur.
3. Pour remettre le tuyau, répéter au contraire les opérations susdites.

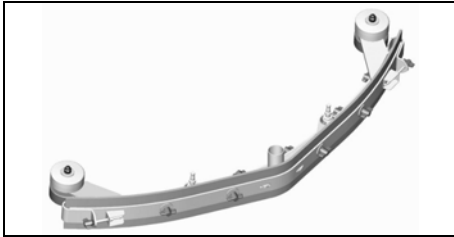


SUCEUR VERSION "V" (OPTIONNEL)

Alternativement au suceur standard, un suceur "V" est disponible, indiqué spécialement pour les sols avec des joints gros.

Il est interchangeable avec le standard, on le peut monter quand même sur la machine et on le peut régler en hauteur, pression et inclinaison.

Par contre, les méthodes de montage et démontage des bavettes sont différentes.

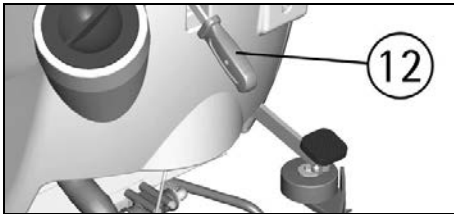


SUCEUR VERSION "V" (OPTIONNEL): REMPLACEMENT BAVETTE ARRIERE

Contrôler l'état d'usure de la bavette du suceur et éventuellement la tourner ou la remplacer.

Pour le remplacement il est nécessaire de:

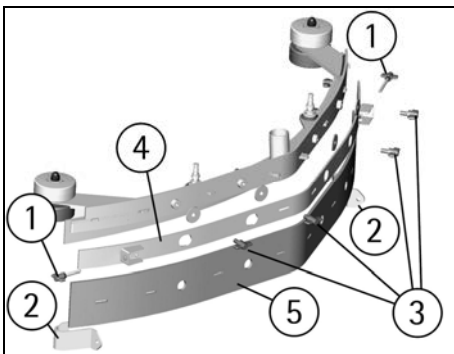
1. Remonter le suceur en agissant sur le levier (12).



2. Dévisser les tirants (1) sur les parties finales (2) de la lame presse-bavette et dégager les parties finales.
3. Dévisser tous les écrous papillon (3) et enlever la lame presse-bavette (4).

4. Enlever la bavette (5), tourner le bord ou la remplacer.

Pour remonter le suceur répéter au contraire les opérations susdites en introduisant dans les guides appropriés la bavette (5), depuis positionner la lame presse-bavette et enfin visser tous les écrous papillon et les tirants des deux parties finales.



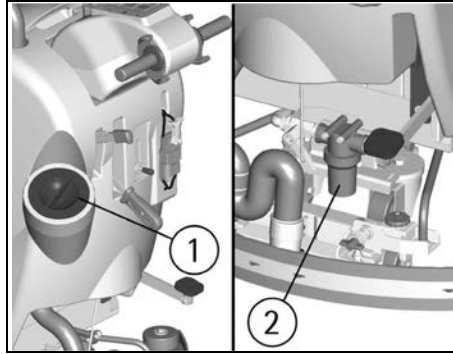
NETTOYAGE DU RESERVOIR SOLUTION ET FILTRE

1. Amener la machine à l'endroit prévu pour la vidange de l'eau.
2. Dévisser le bouchon de remplissage (1) du réservoir de la solution.
3. Dévisser le bouchon de vidange (2).
4. Rincer avec un jet d'eau le réservoir de la solution.
5. Rincer le filtre du réservoir de la solution situé à l'intérieur du bouchon de vidange (2).
6. Remonter le tout.



ATTENTION:

Cette opération doit être effectuée en utilisant des gants pour se protéger du contact avec des solutions dangereuses.



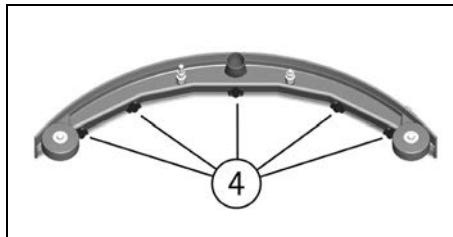
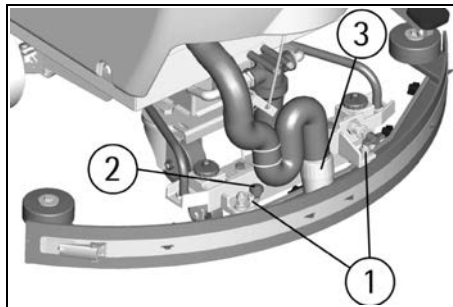
ENTRETIEN BIMESTRIEL

REPLACEMENT DE LA BAVETTE AVANT DU SUCEUR

Contrôler l'état d'usure de la bavette du suceur et éventuellement la remplacer.

Pour le remplacement il est nécessaire de:

1. Enlever le tuyau du suceur (3) du manchon.
2. Démontez le suceur du support en tournant le levier (2) dans le sens inverse aux aiguilles d'une montre et en faisant glisser les colonnettes (1) dans les boutonnières correspondantes.
3. Dévisser les écrous papillon (4) dans la partie avant du suceur.
4. Enlever la lame presse-bavette.
5. Remplacer la bavette avant.
6. Remonter le tout.



SUCEUR VERSION "V" (OPTIONNEL): REMPLACEMENT BAVETTE AVANT

Contrôler l'état d'usure de la bavette du suceur et éventuellement la remplacer.

Pour le remplacement il est nécessaire de:

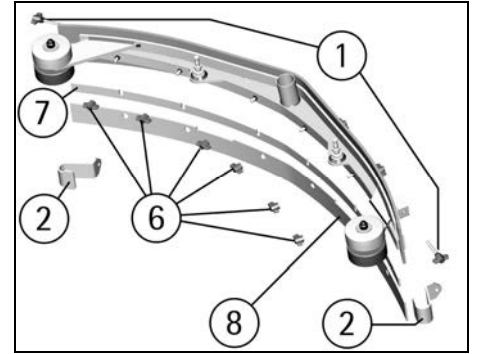
1. Décrocher le suceur du support comme indiqué dans le paragraphe "NETTOYAGE SUCEUR".

2. Dévisser les tirants (1) sur les parties finales (2) de la lame presse-bavette et dégager les parties finales.

3. Dévisser tous les écrous papillon (6) et enlever la lame presse-bavette (7).

4. Enlever la bavette (8) pour la remplacer.

Pour remonter le suceur répéter au contraire les opérations susdites en introduisant dans les guides appropriés la bavette (8), depuis positionner la lame presse-bavette et enfin visser tous les écrous papillon et les tirants des deux parties finales.

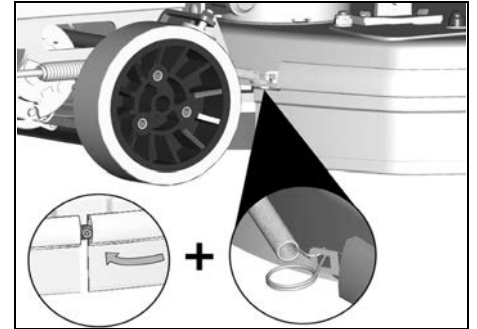


ENTRETIEN SEMESTRIEL

REPLACEMENT DE LA BAVETTE DE PROTECTION

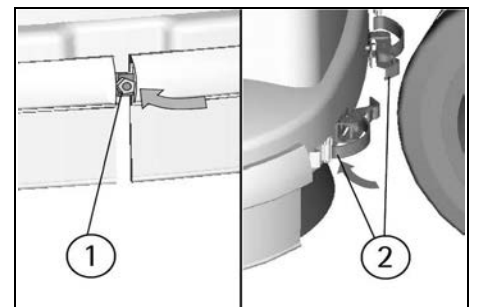
1. Démontez le ressort dans la partie arrière du group d'embase de la boutonnière située à l'extrémité libre de la lame métallique.

2. Remplacer les bavettes de protection et suivre les instructions de montage comme écrit dans le paragraphe "MONTAGE DE LA BAVETTE DE PROTECTION". Avec les brosses montées, la bavette de protection doit effleurer le sol.



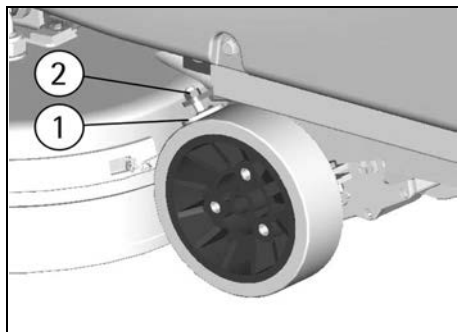
1. Ouvrir les accrochages dans la partie arrière du group d'embase de la boutonnière située à l'extrémité libre de la lame métallique.

2. Remplacer les bavettes de protection et suivre les instructions de montage comme écrit dans le paragraphe "MONTAGE DE LA BAVETTE DE PROTECTION". Avec les brosses montées, la bavette de protection doit effleurer le sol.



CONTROLE DU FREIN

Contrôler l'efficacité du freinage et que les deux tampons (1) qui agissent sur les roues de traction, en position de repos, ayant une distance de ne plus de 3mm des roues. Eventuellement, les régler à l'aide des écrous de fixation (2).



CONTROLE DE FONCTIONNEMENT

Le contrôle de l'état de fonctionnement de la machine vient délégué au service d'assistance technique autorisé.

SIGNALISATIONS SUR L'INDICATEUR

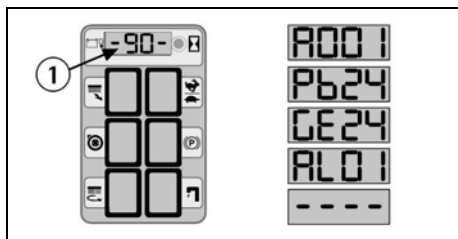
A001: Indication de la version de la plaque électronique du contrôle (le dernier chiffre indique l'indice de révision de la plaque).

Pb24: Indication plaque batteries réglée pour batteries au plomb.

GE24: Indication plaque batteries réglée pour batteries au gel.

AL01: Indication d'absorption du courant excessif du moteur des brosses.

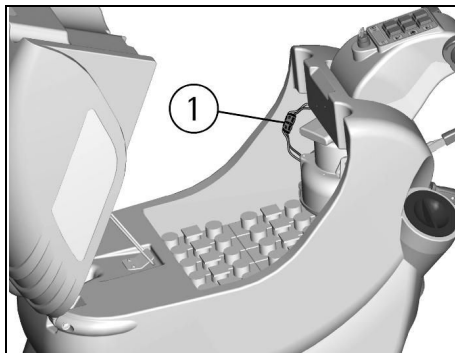
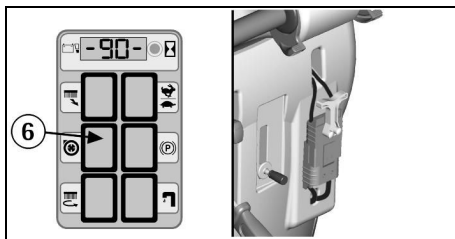
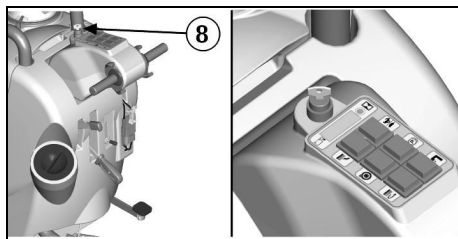
---- (clignotant): signalisation des batteries déchargées et intervention du dispositif du bloque des brosses.



LE MOTEUR D'ASPIRATION NE FONCTIONNE PAS

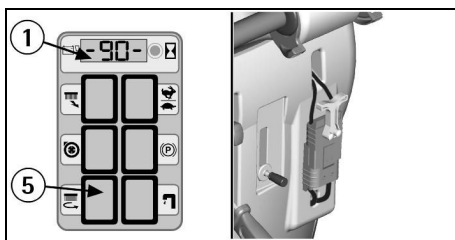
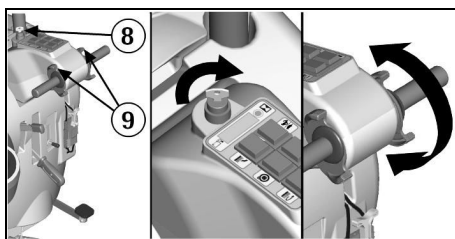
1. Vérifier que l'interrupteur à clef (8) soit dans la position correcte.
2. Contrôler l'état de charge des batteries.
3. Vérifier que le connecteur des batteries soit correctement inséré.
4. Vérifier que l'interrupteur (6) soit allumé.
5. Vérifier que le connecteur rouge (1) du moteur d'aspiration soit correctement inséré.

Si le problème persiste, contacter le service d'assistance technique autorisé.



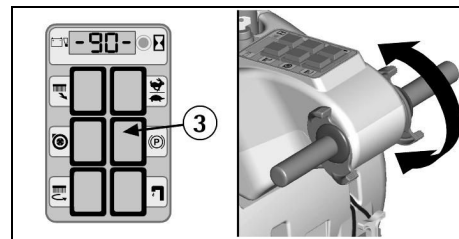
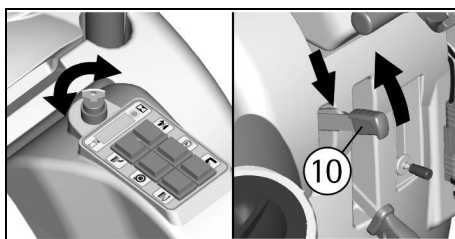
LE MOTEUR DES BROSSES NE FONCTIONNE PAS

1. Vérifier que l'interrupteur à clef (8) soit dans la position correcte. Fermer et rallumer la machine.
2. Contrôler l'état de charge des batteries.
3. Vérifier que le connecteur des batteries soit correctement inséré.
4. Vérifier que l'interrupteur (5) soit allumé.
5. Actionner les leviers commande de marche (9).
6. Contrôler que sur l'indicateur n'apparaît pas le sigle AL01 (alarme surcharge du moteur des brosses). Si le problème persiste, contacter le service d'assistance technique autorisé.



LE MOTEUR DE TRACTION NE FONCTIONNE PAS

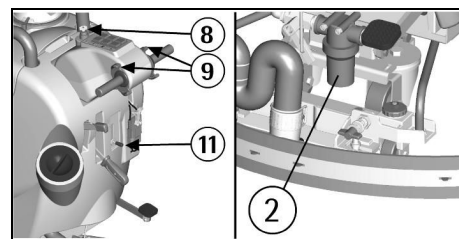
1. Fermer et remettre en fonction la machine.
 2. Débloquer le frein (10) jusqu'à quand le témoin (3) s'éteint.
 3. Agir sur les leviers commande de marche.
- Si le problème persiste, contacter le service d'assistance technique autorisé.



L'EAU SUR LES BROSSES N'EST PAS SUFFISANTE

1. Contrôler que le levier du robinet (11) soit ouvert.
2. Contrôler le niveau de liquide dans le réservoir de la solution.
3. Contrôler que le filtre solution (2) soit propre.
4. La machine est équipée avec l'électrovanne, donc actionner les leviers commande de marche (9).
5. Si la machine est équipée avec le système 3S (voir dans "GROUPE SYSTEME 3S - SOLUTION SAVING SYSTEM") (OPTIONNEL), contrôler d'avoir activé le déviateur pour le débit de la solution détergente en choisissant entre le système traditionnel du réglage avec le robinet ou avec le système de débit optimal fixe. Vérifier aussi que le filtre du circuit hydraulique auxiliaire soit propre.

Si le problème persiste, contacter le service d'assistance technique autorisé.



LA MACHINE NE NETTOIE PAS BIEN

1. Les brosses n'ont pas les brins de la dimension appropriée: contacter le service d'assistance technique autorisé.
 2. Les brosses ont les brins usés. Contrôler l'état de détérioration des brosses et éventuellement les remplacer (les brosses doivent être remplacées quand les brins sont arrivés à une hauteur d'environ 15mm). Pour remplacer les brosses voir "DEMONTAGE DES BROSSES" et "MONTAGE DES BROSSES".
 3. La solution détergente est insuffisante: augmenter l'ouverture du robinet.
 4. Contrôler que le détergent soit dans le pourcentage conseillé.
 5. Augmenter la pression de l'embase des brosses (voir dans le paragraphe "REGLAGE DE LA PRESSION DES BROSSES").
- Consulter le service d'assistance technique autorisé pour tout conseil.

LE SUCEUR NE SECHE PAS PARFAITEMENT

1. Contrôler que les bavettes soient propres.
2. Contrôler le réglage de la hauteur et l'inclinaison du suceur (voir "REGLAGE DU SUCEUR" dans "AVANT DE L'EMPLOI").
3. Contrôler que le tuyau d'aspiration soit inséré correctement dans le propre logement sur le réservoir de récupération.
4. Intervenir sur le filtre d'aspiration en le nettoyant.
5. Remplacer les bavettes si usées.
6. Contrôler que l'interrupteur du moteur d'aspiration soit allumé.

PRODUCTION EXCESSIVE DE MOUSSE

Contrôler qu'on a utilisé du détergent à mousse modérée. Eventuellement, ajouter une quantité minimale de liquide antimousse dans le réservoir de récupération.

Il est bon de rappeler qu'en cas d'un sol peu sale, une quantité plus importante de mousse se formera. Dans ce cas réduire le pourcentage de la solution détergente.

ENTRETIEN PROGRAMME

INTERVENTION	JOURNALIERE	20 HEURES *	200 HEURES *	1000 HEURES *
NETTOYAGE DU RESERVOIR DE RECUPERATION	•			
NETTOYAGE DU FILTRE D'ASPIRATION	•			
NETTOYAGE DU FILTRE SOLUTION		•		
NETTOYAGE DES BROSSES	•			
DEMONTAGE DES BROSSES ET NETTOYAGE	•			
NETTOYAGE DU SUCEUR	•			
REPLACEMENT DE LA BAVETTE AVANT DU SUCEUR			•	
REPLACEMENT DE LA BAVETTE ARRIERE DU SUCEUR		•		
REPLACEMENT DE LA BAVETTE DE PROTECTION				•
CONTROLE REGLAGE DU SUCEUR		•		
NETTOYAGE DU TUYAU SUCEUR		•		
NETTOYAGE DU RESERVOIR DE LA SOLUTION		•		
CONTROLE DE L'ELECTROLYTE DES BATTERIES		•		
CONTROLE DU FREIN				•
CONTROLE DU MOTEUR DE TRACTION				•
CONTROLE DU MOTEUR DES BROSSES				•
CONTROLE DU MOTEUR D'ASPIRATION			•	
CONTROLE DU GROUPE D'EMBASE DES BROSSES			•	
SERRAGE DES VIS				•

* Les heures se réfèrent auxquelles indiquées sur l'indicateur (voir paragraphe "COMPTEUR HORAIRE").

Formulaire d'inscription de garantie

Veillez fournir des informations supplémentaires sur les équipements Tornado (cocher les choix ci-dessous)

- | | |
|--|---|
| <input type="checkbox"/> Laveurs automatiques | <input type="checkbox"/> Balayeuses |
| <input type="checkbox"/> Machines à plancher au propane | <input type="checkbox"/> Machine à plancher rotatif |
| <input type="checkbox"/> Brunissoir à haute vitesse | <input type="checkbox"/> Aspirateurs à tapis |
| <input type="checkbox"/> Extracteurs et détacheurs à tapis | <input type="checkbox"/> Aspirateurs à eau/secs |
| <input type="checkbox"/> Nettoyeur à vapeur | <input type="checkbox"/> Aspirateurs jumbos |
| <input type="checkbox"/> Équipement à conducteur porté | <input type="checkbox"/> Laveuses à pression |

Voir les informations complètes des produits à www.tornadovac.com

Concessionnaire vendant : (Requis) _____

Veillez écrire lisiblement	
Société/Institution	
Nom du contact	Titre
Adresse	Ville/Province/Code postal
Téléphone	Télécopieur
Date de l'achat	Adresse électronique

Voir plaque de métal blanc ou autocollant sur l'unité pour son information.

TYPE DE MACHINE/NUMÉRO DU MODÈLE	NUMÉRO DE SÉRIE DE LA MACHINE
1.	1.
2.	2.
3.	3.
4.	4.

Description de l'installation (veuillez encercler tous ceux que s'appliquent)		
1. École	9. Hôpital	17. Gouvernement des É-U
2. Magasin de détail	10. Maison de retraite	18. Autre gouvernement
3. Restaurant	11. Institution religieuse	19. Service automobile
4. Immeuble de bureaux	12. Entrepôt	20. Aéroport
5. Nettoyage contractuel	13. Aéroport	21. À but non lucratif
6. Industrie légère	14. Appartement/Condo	22. Autre (spécifier)
7. Industrie lourde	15. Entrepôt	_____
8. Collège/Université	16. Supermarché	_____

Comment avez-vous entendu parler des équipements de nettoyage et d'entretien de Tornado?	En pied carré (mètres)	
	La superficie totale de sol dur	La superficie totale de tapis Pied carré (mètre carré)
<input type="checkbox"/> Contacté par un concessionnaire local <input type="checkbox"/> Expérience acquise avec des produits Tornado <input type="checkbox"/> Réputation/recommandation <input type="checkbox"/> Publicité <input type="checkbox"/> Publipostage <input type="checkbox"/> Internet <input type="checkbox"/> Autre	<input type="checkbox"/> 0-10 000 (0-930)	<input type="checkbox"/> 0-10 000 (0-930)
	<input type="checkbox"/> 10-50 000 (930-4 650)	<input type="checkbox"/> 10-50 000 (930-4 650)
	<input type="checkbox"/> 50-250 000 (4 650-23 250)	<input type="checkbox"/> 50-250 000 (4 650-23 250)
	<input type="checkbox"/> Plus que 250 000 (plus que 23 260)	<input type="checkbox"/> Plus que 250 000 (plus que 23 260)

Les dommages ou défauts résultant de l'abus, de négligence ou autre mauvais usage sont exclus de cette garantie. D'autres éléments peuvent ou ne peuvent pas s'appliquer en fonction de votre propre machine. Si un défaut survient, la garantie est annulée si le service est tenté par des Centres Service Tornado non-autorisés

Retour à :
 Tornado Industries
 3101 Wichita Court
 Fort Worth TX 76140
 Télécopieur : (817-551-0719)
 Ou en ligne à
www.tornadovac.com

