

TORNADO INDUSTRIES
3101 WICHITA COURT
FORT WORTH, TX 76140
1(800)-VACUUMS
FAX (630)-818-1301
WWW.tornadovac.com



Operations & Maintenance Manual
For Commercial Use Only

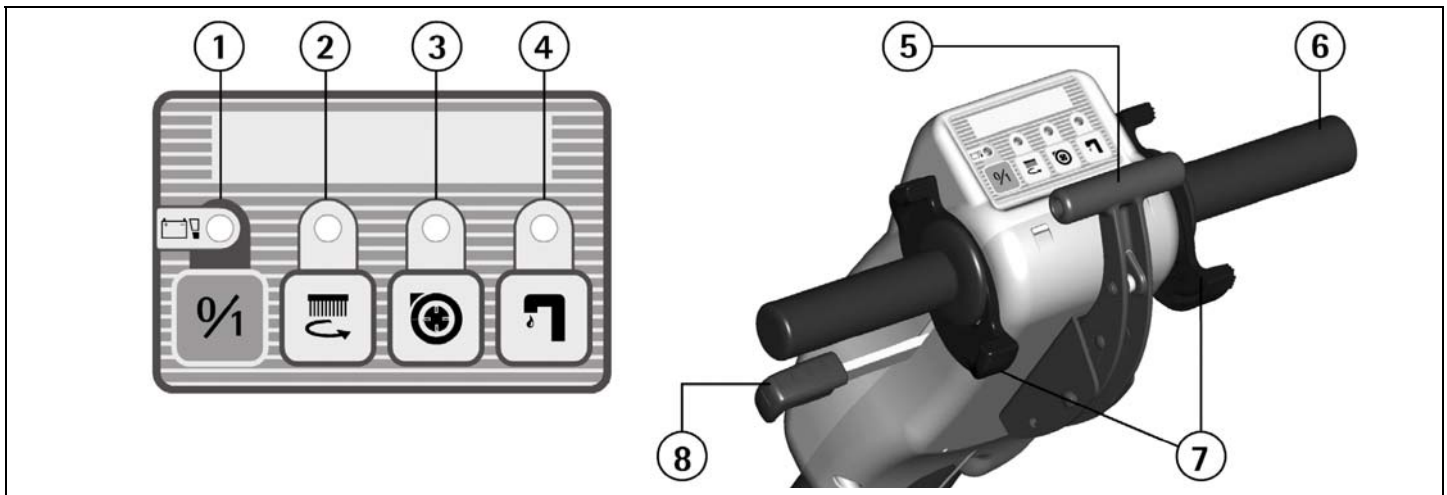


COMPACT AUTOSCRUBBER
BD 14/4
99414

LEGEND INSTRUMENT BOARD AND CONTROLS	3
LEGEND MACHINE	4
TECHNICAL DESCRIPTION	5
INTRODUCTORY COMMENT	6
GENERAL RULES OF SECURITY	6
SYMBOLOLOGY	7
BEFORE USE	8
HANDLING OF THE PACKED MACHINE	8
UNPACKING OF THE MACHINE	8
MOVEMENTS OF THE HANDLE BAR	8
BATTERIES	8
BATTERIES RECHARGING (STANDARD VERSION WITH AGM BATTERIES)	8
BATTERIES DISPOSAL	8
RECOVERY TANK	9
SOLUTION TANK	9
FLOOR CLEANING	9
STARTING MACHINE	9
HANDLE BAR ADJUSTMENT	9
OVERFLOW DEVICE	10
SECURITY DEVICE BRUSH LIFTING	10
STOPPING THE MACHINE AFTER CLEANING OPERATION	10
DAILY MAINTENANCE	10
EMPTYING AND CLEANING OF THE RECOVERY TANK	11
EMPTYING AND CLEANING OF THE SOLUTION TANK	11
SUCTINON FILTER CLEANING	11
POSITIONING OF THE MACHINE FOR MAINTENANCE AND PARKING	11
BRUSH CLEANING	12
BRUSH DISASSEMBLY/ASSEMBLY	12
SQUEEGEE CLEANING	12
ORDINARY MAINTENANCE	12
BRUSH REPLACEMENT	12
REAR SQUEEGEE RUBBER REPLACEMENT	13
FRONT SQUEEGEE RUBBER REPLACEMENT	13
TROUBLESHOOTING GUIDE	13
THE SUCTION MOTOR DOES NOT WORK	13
THE BRUSH MOTOR DOES NOT WORK	14
INSUFFICIENT WATER ON THE BRUSH	14
THE MACHINE DOES NOT CLEAN PROPERLY	14
THE SQUEEGEE DOES NOT DRY PERFECTLY	14
EXCESSIVE FOAM PRODUCTION	14
PROGRAMMED MAINTENANCE	15
RECOMMENDED BRUSHES	15

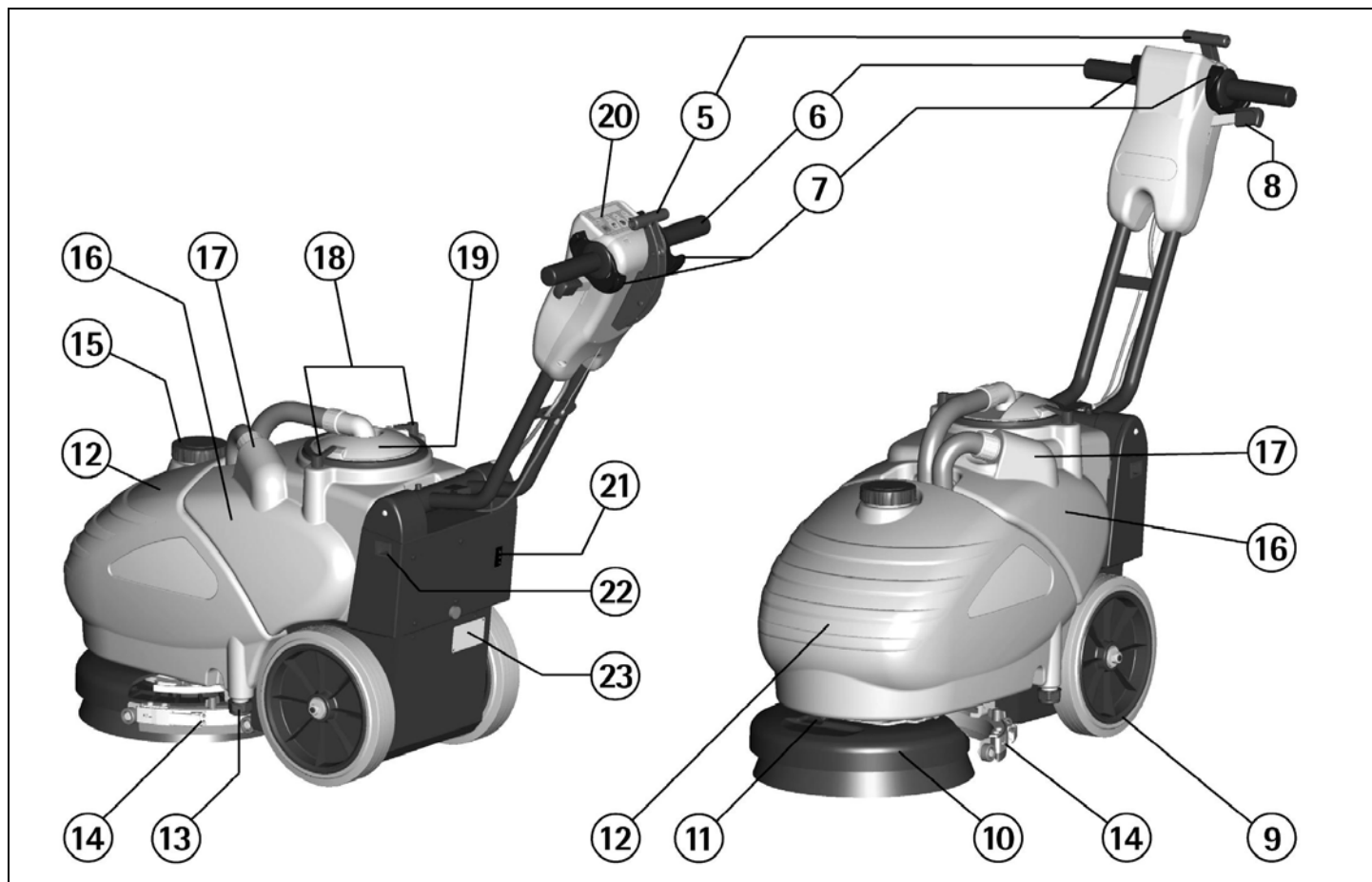
LEGEND INSTRUMENT BOARD AND CONTROLS

- 1. MAIN SWITCH WITH SIGNAL LAMP
- 2. BRUSH MOTOR SWITCH WITH SIGNAL LAMP
- 3. SUCTION MOTOR SWITCH WITH SIGNAL LAMP
- 4. SOLENOID VALVE SWITCH WITH SIGNAL LAMP
- 5. SQUEEGEE LIFT LEVER
- 6. HANDLE BARS
- 7. BRUSH ACTIVATION LEVERS
- 8. HANDLE BAR RELEASE LEVER



LEGEND MACHINE

- 9. WHEELS
- 10. BRUSH BASE ASSEMBLY
- 11. SOLUTION FLOW ADJUSTMENT
- 12. SOLUTION TANK
- 13. SOLUTION TANK DRAIN
- 14. SQUEEGEE ASSEMBLY
- 15. SOLUTION TANK CAP
- 16. RECOVERY TANK
- 17. INLET OPENING SQUEEGEE HOSE
- 18. BLOCKING LEVERS SUCTION COVER
- 19. SUCTION COVER
- 20. INSTRUMENT BOARD
- 21. CHARGE LEVEL INDICATOR
- 22. POWER CABLE RECEPTACLE FOR BATTERY CHARGER
- 23. SERIAL NUMBER PLATE



TECHNICAL DESCRIPTION		with batteries AGM
Cleaning width	in	14
Squeegee width	in	16
Tension batteries	V	24
Capacity of the batteries	Ah ₅	28
Power installed	W	430 (18A)
Working capacity, up to	Sq.ft/h	11,300
Brush diameter	In	14
Brush rpm	Rpm	170
Brush pressure (max)	Lbs.	55
Suction vacuum	Water lift	36"
Type of drive		semi automatic
Maximum gradient	%	2
Capacity solution tank	Gallon	4
Capacity recovery tank	Gallon	4.2
Machine length (min)	In	29
Machine height	In	21.6
Machine width	In	16.3
Machine weight (empty, with batteries)	Lbs.	143
Weight of the batteries	Lbs.	48
Recharging time max	Hour	10
Battery compartment with support (L x W x H)	in	8.5 x 10.6 x 7.5
Sound Level	dB (A)	< 70
Class		III
Protection level	IP	X3
Battery charger	V ~	100-240
Battery charger: frequency	Hz	50-60
Battery charger: nominal current	A	5
Battery charger: class		I

INTRODUCTORY COMMENT

Thank you for having chosen our machine. This floor cleaning machine is used for the industrial and commercial cleaning and is able to clean any type of floor, except carpet cleaning. During its forward movement, the combined action of the brushes and the solution removes the dirt which is recovered through the rear suction assembly, giving a perfectly dry surface.

The machine must be used only for such purpose. It gives the best performance if it is used correctly and maintained in perfect working order. We therefore ask you to read this instruction booklet carefully whenever difficulties arise in the course of the machine's use. We ask you to contact our service department for all advice and servicing as may prove necessary.

GENERAL RULES OF SECURITY

The rules below have to be followed carefully in order to avoid damages to the operator and to the machine.

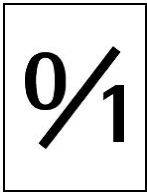
- Read the labels carefully on the machine. Do not cover them for any reason and replace them immediately if damaged.
- The machine must be used exclusively by authorized staff that has been instructed for its use.
- During the operation of the machine, pay attention to other people and especially to the children.
- In the presence of children guard the machine, so that they do not play with it.
- Do not touch or pass over the mains cable while the brushes are operating.

- The socket for the power supply must be equipped with a standard earthing (ground) system.
- Do not damage the mains cable by squashing, bending or stressing.
- Check the integrity of the mains cable. If during working a damage is noticed, stop the machine immediately and replace the cable.
- Do not mix different detergents, avoiding harmful odors.
- Storage temperature: between 40°F and 131°F (5°C and +55°C).
- Operating temperature: between 40°F and 104°F (5°C and 40°C).
- The humidity should not exceed 95%.
- Do not use the machine in explosive atmosphere.
- Do not use the machine as a means of transport.
- Do not use acid solutions which could damage the machine and/or the persons.
- Avoid working with the brush when the machine is standing still, in order to prevent floor damages.
- Do not use the machine on surfaces covered with inflammable liquids or dusts (for example hydrocarbons, ashes or soot).
- In case of fire, use a powder fire-extinguisher.
Do not use water.
- Do not strike shelvings or scaffoldings, where there is danger of falling objects.
- Do not use the machine on areas having a higher gradient than the one stated on the number plate.
- The machine has to carry out simultaneously the operations of washing and drying. Different operations must be carried out in restricted areas prohibited to non-authorized personnel.
- Signal the areas of moist floors with suitable signs.
- If the machine does not work properly, check by conducting simple maintenance procedures. Otherwise, ask for technical advice

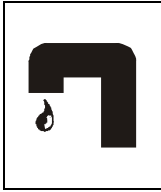
from an authorized assistance centre.

- Where parts are required, ask for ORIGINAL spare parts from the distributor and/or from an authorized dealer.
- Use only ORIGINAL brushes indicated in the paragraph "RECOMMENDED BRUSHES".
- For any cleaning and/or maintenance operation take off the power supply from the machine.
- Do not take off the protections which require the use of tools to be removed.
- Do not wash the machine with direct water jets or with high water pressure nor with corrosive material.
- Every 200 working hours have a machine check by an authorized service department.
- Before using the machine, check that all panels and coverings are in their position as indicated in this use and maintenance catalogue.
- Restore all electrical connections after any maintenance operation.
- Provide for the scrapping of the material of normal wear following strictly the respective rules.
- When your machine has to stop activity, provide for the appropriate waste disposal of its materials, especially oils, batteries and electronic components, and considering that the machine itself has been, where possible, constructed using recyclable materials.

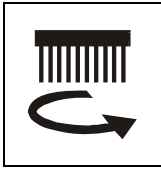
SYMBOLOLOGY



Symbol 0/1 indicating the main switch and its signal lamp.



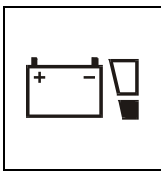
Symbol denoting the solution valve. Indicates the switch and the signal lamp of the solenoid valve.



Symbol denoting the brush. Indicates the switch and the signal lamp of the brush motor.



Symbol denoting the suction motor. Indicates the switch and the signal lamp of the suction motor.



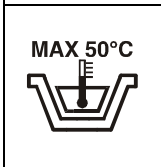
Symbol denoting the charge level of the batteries.



Symbol that indicates the position of the outlet plug of the solution tank.



Symbol that indicates to empty the tanks before rotating the machine.



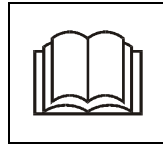
Indication of the maximum temperature of the solution detergent.



Symbol that indicates the flow adjuster of the detergent solution.



Symbol denoting the crossed bin. Indicates that at the end of its activity, the machine has to be disposed conforming to the laws in force.



Symbol denoting the open book. Indicates that the operator has to read the manual before the use of the machine.



Warning symbol. Read carefully the sections marked with this symbol, for the security of both the operator and the machine.

BEFORE USE

Handling of the packed machine

The machine is supplied with suitable packing.

The total weight is 165lbs.

Packing dimensions:

Base: 30 in x 16 in

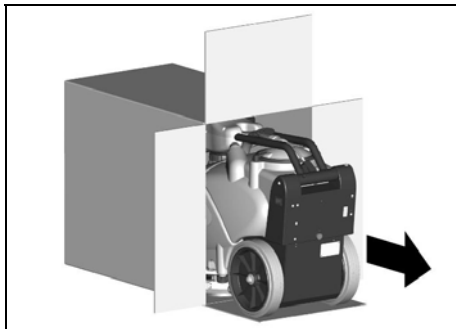
Height: 24.5 in

ATTENTION:

Do not place more than 2 packings on top.

Unpacking of the machine

1. Open the packing as shown in the figure.
2. Take the machine off the packing avoiding heavy contacts to mechanical parts.
3. Keep the packing for eventual transport needs.



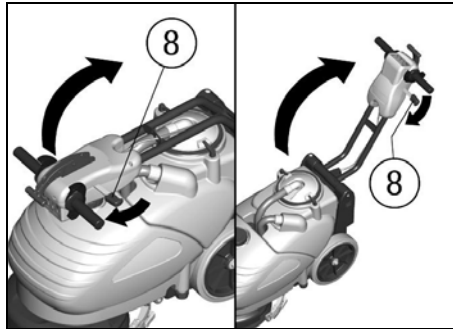
Movements of the handle bar

The handle bar in the package arrives in closed position.

To rotate the handle bar in one of the different working positions to move the machine:

1. Pull up the release lever (8) near the handle bars.
2. Rotate the handle bar into the working position while holding the release lever (8).
3. Release the release lever (8) to lock the handle bar.

Use the same procedure for further height adjustment of the handle bar to find the most comfortable working position.



Batteries

This machine is supplied with two batteries already connected in series, placed in its appropriate compartment under the recovery tank.

In case the batteries need to be disassembled and/or replaced, please contact the authorized technical assistance.

In fact, the replacement must be made exclusively with batteries which have the identical performances as the ones already installed.



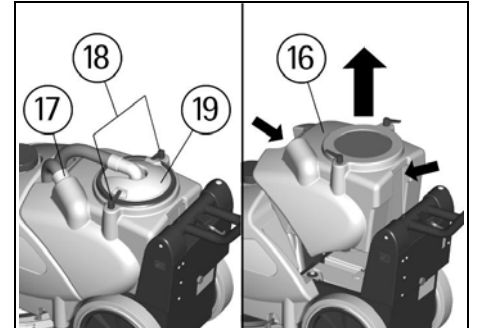
To reach the battery compartment it is necessary to:

1. Remove the squeegee hose from its seat (17).
2. Remove the suction filter cover (19) after turning the blocking levers (18).
3. Lift and remove the recovery tank (16) holding it from the provided handles. One on the front and one on the rear of the tank.

ATTENTION:

Strictly follow manufacturer/distributor indications for the maintenance and

daily recharge of the batteries. Specialized staff, using suitable protection accessories must execute all installation and maintenance operations.



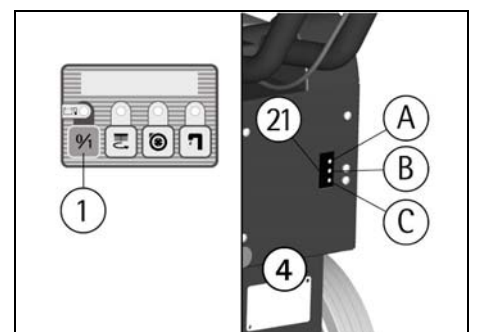
Batteries recharging (Standard version with AGM batteries)

The charge level of the batteries is visible by first activating the main switch (1) placed on the instrument board, through three luminous leds placed on the frame in the rear part of the machine.

A: green led on = batteries charged.

B: orange led on = level at half charge.

C: red led on = complete discharge of the batteries with consequent automatic switching off of all the machine's function.



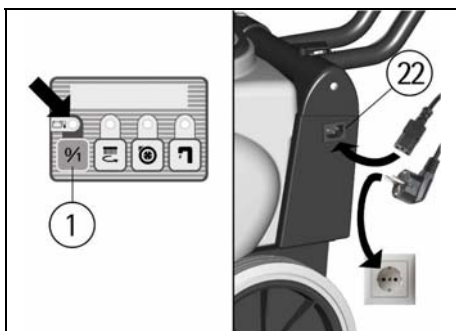
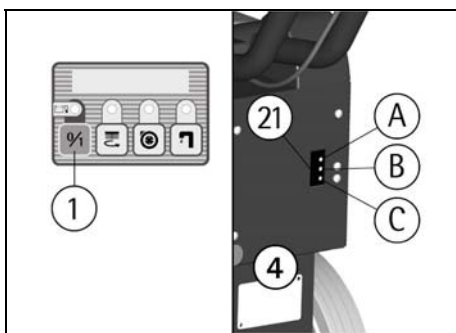
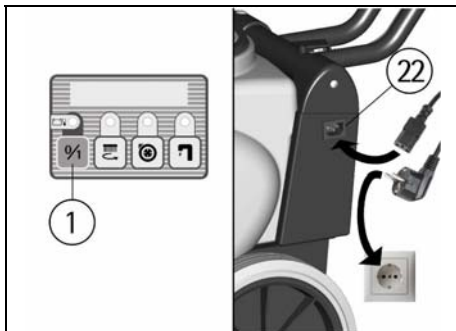
To prevent permanent damages to the batteries, it is essential to arrive to their complete discharge every 6/7 cycles, providing for the recharge only when the red signal of discharged batteries is activated. In fact, an extended series of charging cycles carried out when the batteries still have a residual

charge, causes a battery deterioration, thereby shortening the battery life.

NOTE: Never leave batteries completely discharged even if the machine is not used.

During the recharging operations a device is activated that forbids the machine's functioning.

Bring the machine on a level surface near to a suitable outlet. Switch off the main switch (1). Connect the mains cable supplied with the machine both to the machine and to the outlet socket as indicated in the figure. At the end of the charging phase take off the mains cable.



ATTENTION:

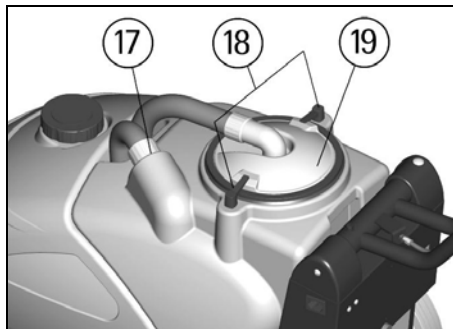
Never charge batteries with a non-suitable charger. Strictly follow the instructions supplied by the batteries and charger manufacturer.

Batteries disposal

It is mandatory to hand over exhausted batteries, classified as dangerous waste, to an authorized institution according to the current laws.

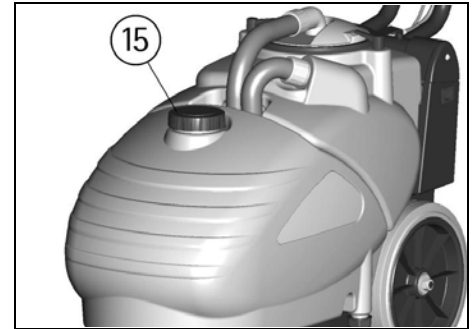
Recovery tank

Check that the cover of the suction filter (19) is correctly secured, after rotating the levers (18). Furthermore, check that the squeegee hose is correctly seated in its seat (17).



Solution tank

The capacity of the solution tank is indicated in the technical data. Remove the solution tank cap (15) placed in the top part of the machine and fill the solution tank with clean water at a maximum temperature of 122°F (50°C). Add the liquid detergent in the percentage and conditions recommended by the manufacturer. To avoid excessive foaming, which could cause problems to the suction motor, use the minimum percentage of detergent. Screw down the cap to close the tank.



ATTENTION:

Use always low foam detergent. To avoid excessive foaming, before starting working operation, add into the recovery tank a minimum quantity of anti-foam product. Never use pure acid.

FLOOR CLEANING

Starting the machine

The push buttons on the instrument board are equipped with an upper green signal light that will light when the control is activated.

1. Switch on the machine pressing the main switch (1).
2. Check the battery charge level (see under "BATTERIES RECHARGING").
3. Lower the squeegee by rotating the handle of the squeegee lifting lever (5) placed in the centre of the handle bar.
4. Press the switch for the brush motor (2).
5. Press the switch for the suction motor (3).
6. Press the switch for the solenoid valve (4).

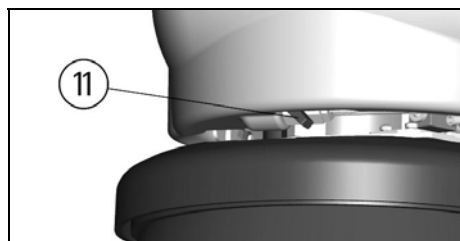
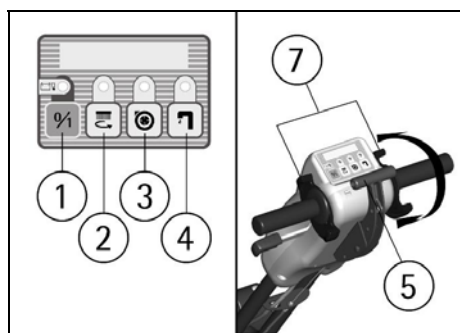
The machine is equipped with a solenoid valve, therefore the solution flow will be activated automatically by pressing the brush activation levers (7). Releasing these levers, will stop the flow automatically.

7. Pressing the brush activation levers (7) the brush will start rotating. The solution flow begins

to flow and the squeegee will start drying the floor.

8. During the first few feet check that the solution flow is appropriate. The flow adjuster of the solution is already adjusted at the factory to satisfy the cleaning of most floors. If it is necessary to adjust the quantity of solution onto the floor, adjust the lever of the flow adjuster (11).

9. When moving the machine backwards, make sure that the squeegee is lifted.



Handle bar adjustment

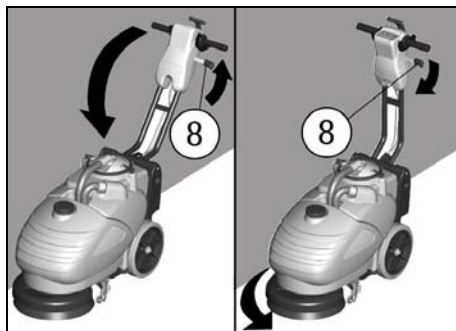
When approaching obstacles or near walls, it is possible to simplify the handling of the machine by adjusting the handle bar more vertically with respect to the machine.

To rotate the handle bar:

1. Lift up on the release lever (8)
2. Rotate the handle bar into the new working position keeping the release lever (8) pulled.
3. Release the lever (8) to lock handle bar.

Once the obstacle has been passed repeat the operation to return to the previous working position. This operation is also possible with the machine in motion by

temporarily holding the handle bar release levers (8).



Overflow device

In order to avoid serious damages to the suction motor, the machine is equipped with a float that intervenes when the recovery tank is full, closing the suction hose and stopping the suction.

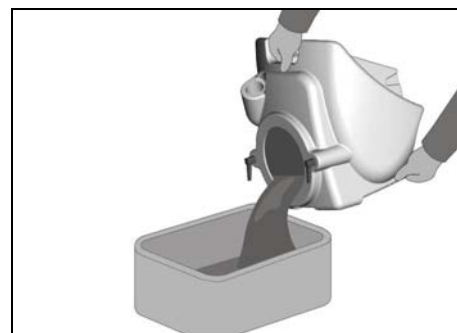
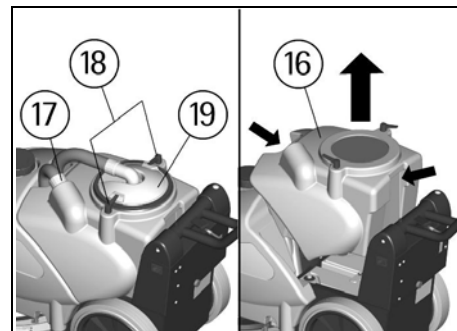
When this happens, it is necessary to empty the recovery tank.

1. Switch off the machine pressing the main switch.
2. Take off the suction filter cover (19) after turning the blocking levers (18).
3. Take off the squeegee hose from its seat (17).
4. Lift and remove the recovery tank (16) holding it from the provided handles, one on the front and one on the rear of the tank.
5. Reassemble everything.



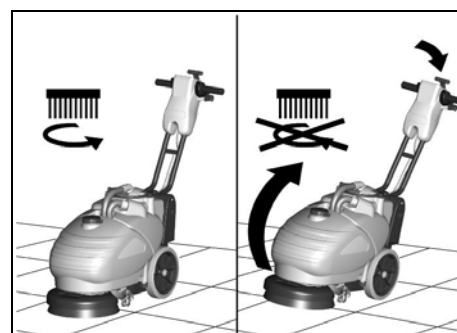
ATTENTION:

This operation must be carried out using gloves to protect from contact with dangerous solutions.



Security device brush lifting

A security device prevents the brush motor when, for any reason, the brush is lifted from the floor during operation. To check this operation, push down on the handle so that the brush is lifted off of the floor. The brush should stop rotating. When returned to the normal working position the brush should start rotating again.

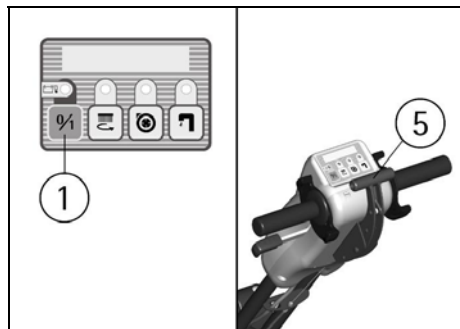


STOPPING THE MACHINE AFTER CLEANING OPERATION

Before carrying out any type of maintenance:

1. Switch off the main switch (1).
2. Lift the squeegee by rotating the squeegee lift lever upwards (5).

3. Bring the machine to an appropriate place for tank draining.



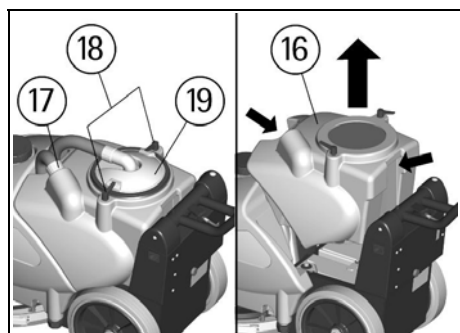
⚠ ATTENTION:
The machine is not equipped with a parking brake, therefore do not leave it on slopes.

DAILY MAINTENANCE

Emptying and cleaning of the recovery tank

To empty and clean the recovery tank.

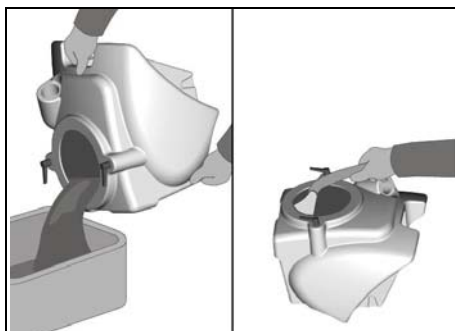
1. Switch off the machine pressing the main switch.
2. Take off the suction cover (19) after rotating the blocking levers (18).
3. Take off the squeegee hose from the seat (17).
4. Lift and take off the recovery tank (16) holding it from the provided handles located on the front and back of the tank.



Empty the recovery tank into appropriate containers, according to the standard norms for the liquid disposal.

5. Clean and rinse the tank and allow to air dry.

6. Reassemble everything.

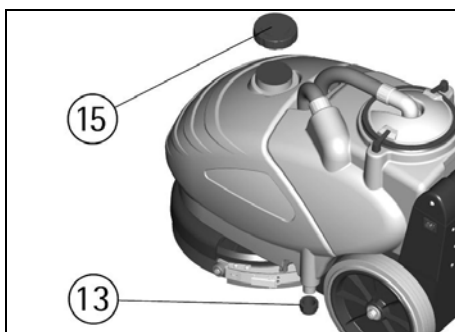


⚠ ATTENTION:
This operation must be carried out using gloves to protect from contact with dangerous solutions.

Emptying and cleaning of the solution tank

To empty the solution remained in the solution tank:

1. Bring the machine to an appropriate place for draining of the tank.
2. Switch off the machine pressing the main switch.
3. Unscrew the cap (15) of the solution tank.
4. Unscrew the drain plug (13) placed in the rear low left part of the machine.



⚠ ATTENTION:
This operation must be carried out using gloves to protect from contact with dangerous solutions.

Suction filter cleaning

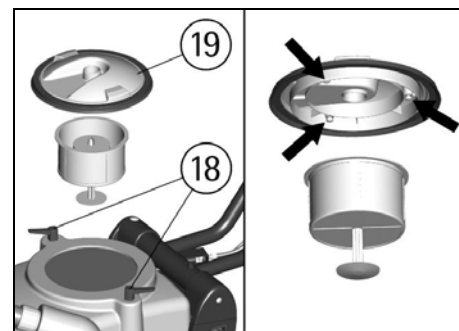
1. Take off the suction cover (19) after rotating the blocking levers (18).

2. Take off the filter with the float, bending the filter edge to release it from the screws on the cover.

3. Clean all parts with a water jet and especially the surfaces and filter bottom.

4. Carry out the recovery tank cleaning operations.

5. Reassemble everything.



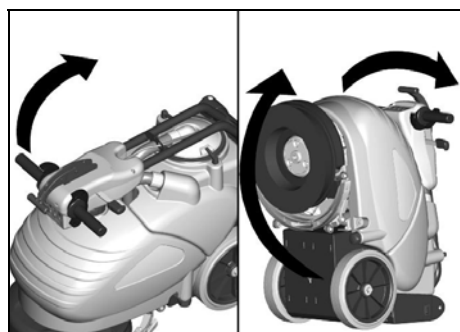
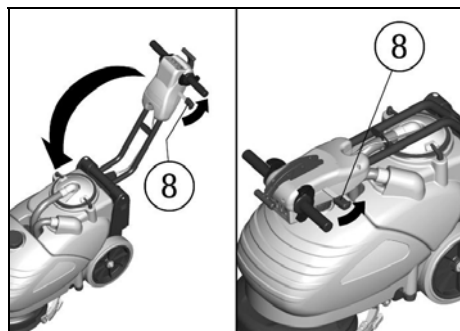
Positioning of the machine for maintenance and parking

The machine can assume a vertical positioning, tipped over at the back, after having folded the handle bar onto the machine. This position allows the unit to be stored in a small space and simplifies maintenance operations.

To rotate the machine to a storage position it is necessary to:

1. Switch off the main switch.
2. Check that both tanks are empty, otherwise empty them (see under "EMPTYING AND CLEANING OF THE RECOVERY TANK" and "EMPTYING AND CLEANING OF THE SOLUTION TANK").
3. Pull up on the handle bar release lever (8) near the handle bar.
4. Rotate the handle bar towards the tanks keeping the release lever (8) pulled.
5. Release the lever (8) to obtain the handle bar locking position.
6. Holding the handle bar firmly, lift the front part of the machine

making it rotate onto the rear wheels bringing it into the vertical position as shown in the figure.

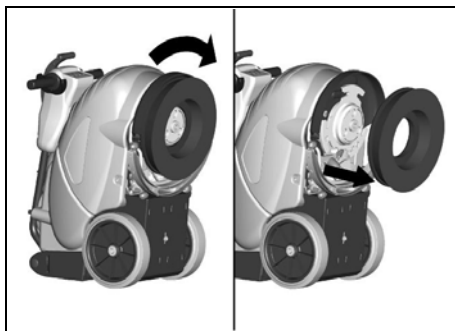


Brush cleaning

Disassemble the brush and clean it with a water jet (for the disassembly see “BRUSH DISASSEMBLY/ASSEMBLY”).

Brush disassembly/assembly

1. Tip the machine over backwards (see under “POSITIONING OF THE MACHINE FOR MAINTENANCE AND PARKING”) paying attention to remember to switch off the main switch and to empty the tanks before tipping over the machine.
2. With the machine in this position rotate the brush clockwise, as indicated in the figure, until it is released from the seats of the brush holder plate.

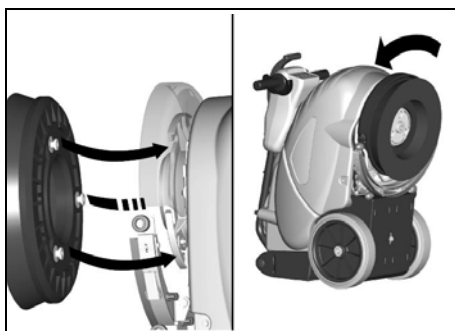


3. To reassemble the brush, insert the coupling buttons on the brush into the slots of the brush holder plate and rotate counterclockwise until it locks.



ATTENTION:

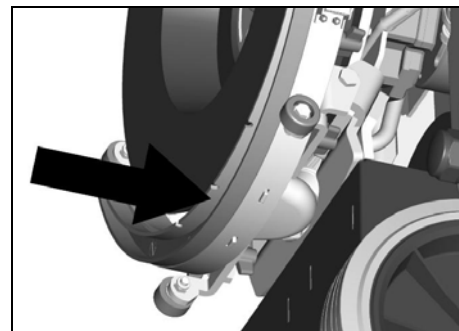
The handling of the brushes operation must be carried out using suitable gloves to protect both mechanically from contact with the bristles and the chemical risk of contact with dangerous solutions.



Squeegee cleaning

Keeping the squeegee clean guarantees the best drying action.

1. Tip over the machine backwards (see under “POSITIONING OF THE MACHINE FOR MAINTENANCE AND PARKING”) paying attention to remember to switch off the main switch and to empty the tanks before tipping over the machine.
2. With the machine in this position clean the internal part of the squeegee inlet, eliminating dirt build up, and clean the squeegee rubbers.

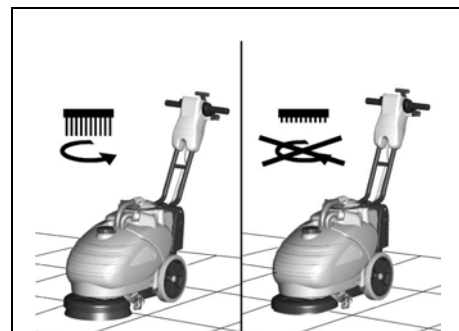


ORDINARY MAINTENANCE

Brush wear Control device

A safety device stops the brush motor when the brush reaches a low bristle level of about 10mm such that a good cleaning result is not guaranteed and to prevent floor damages.

To restore the working functionality of the machine it is necessary to replace the brush (see under “BRUSH DISASSEMBLY/ASSEMBLY”).



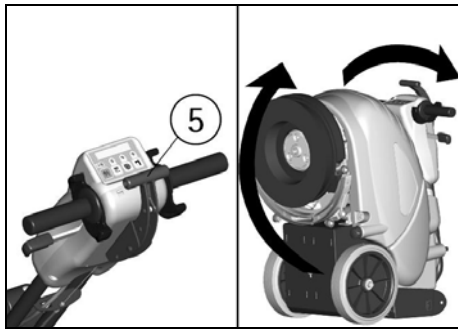
Brush replacement

The brush has to be replaced when the control device brush wear intervenes. It is possible to use other brush types, depending on the type and dirt of the floor to be cleaned (see under “RECOMMENDED BRUSHES”). Disassemble the old brush and replace it with a new one (see under “BRUSH DISASSEMBLY/ASSEMBLY”).

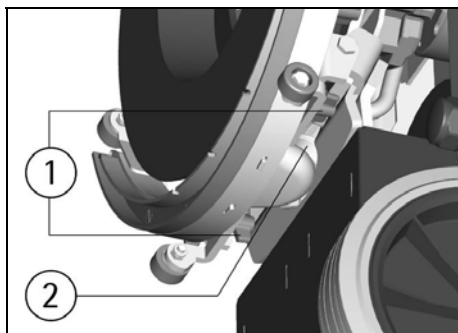
Rear squeegee rubber replacement
Check the rear squeegee rubber wear and eventually turn or replace it.

For the replacement it is necessary to:

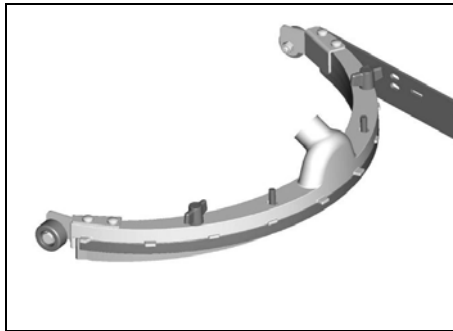
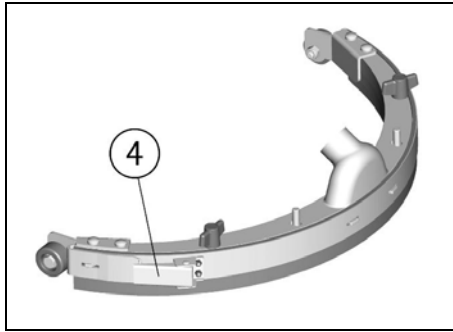
1. Rotate the squeegee lifting lever (5) to lower the squeegee assembly.
2. Tip over the machine backwards (see under "POSITIONING OF THE MACHINE FOR MAINTENANCE AND PARKING") remember to switch off the main switch and to empty the tanks before tipping over the machine.



3. With the machine in this position remove the wing nuts (1)
4. Remove the squeegee hose (2) and remove the squeegee assembly.



5. Release the catch (4) of the rubber holder blade and take the rubber off to turn it to a new side or replace it.
6. Check that the coupling and the squeegee hose are not obstructed and clean the entire assembly. To reassemble the squeegee, reverse the operations above.

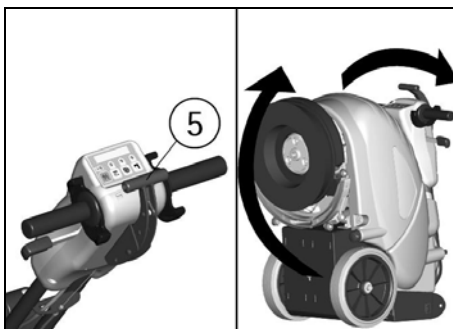


Front squeegee rubber replacement

Check the wear of the front squeegee rubber and replace it when necessary.

For the replacement it is necessary to:

1. Rotate the squeegee lifting lever (5) to lower the squeegee assembly.
2. Tip the machine over backwards (see under "POSITIONING OF THE MACHINE FOR MAINTENANCE AND PARKING") remember to switch off the main switch and to empty the tanks before tipping over the machine.



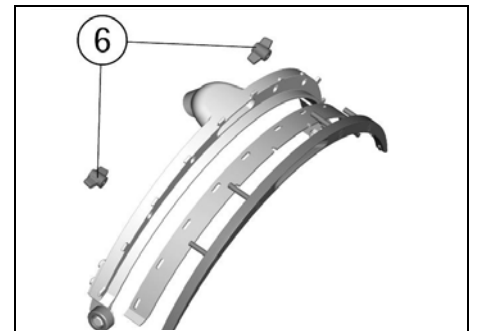
3. With the machine in this position proceed to disassemble

the squeegee and then the rear squeegee rubber (see under "REAR SQUEEGEE RUBBER REPLACEMENT").

4. Take off the wing nuts (6) in the upper part of the squeegee body, separate the two metal parts that form the squeegee body to take off the front rubber.

5. Clean and rinse all of the components.

To reassemble the squeegee reverse the operations above.

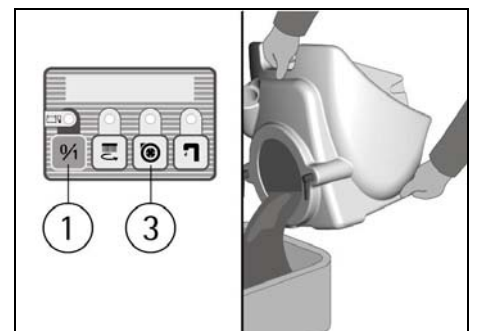


TROUBLESHOOTING GUIDE

The suction motor does not work

1. Check the charge level of the batteries that is visible by first activating the main switch (1) (see under "BATTERIES RECHARGING").
2. Verify that the suction motor switch (3) is on.
3. Check the level in the recovery tank (see under "OVERFLOW DEVICE") and if necessary, empty the tank.

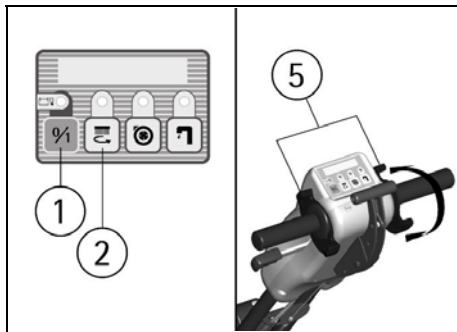
If the problem persists, please contact the authorized technical assistance.



The brush motor does not work

1. Check the charge level of the batteries that is visible when activating first the main switch (1) (see under “BATTERIES RECHARGING”).
2. Verify that the brush motor switch (2) is on.
3. Press the brush activation levers (5).
4. Check that the safety device for the brush lifting or the brush wear is not active.

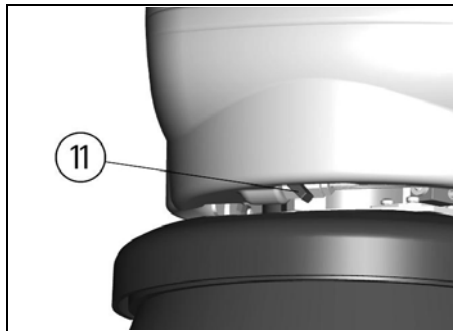
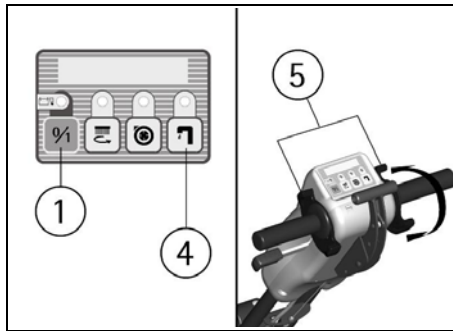
If the problem persists, please contact the authorized technical assistance.



Insufficient water on the brush

1. Check that the solenoid valve switch (8) is on.
2. Check the level of the liquid in the solution tank (see under “SOLUTION TANK”).
3. Check that the solution flow adjuster (11), placed in front underneath the solution tank, is sufficiently open.
4. Press the brush activation levers (5).

If the problem persists, please contact the authorized technical assistance.



The machine does not clean properly

1. The brush does not have the suitable bristle dimension: use only original brushes. For advice, contact the authorized technical assistance.
2. The solution is insufficient: Adjust the solution flow adjuster (11).
3. Check that the liquid detergent is in the recommended percentage. Contact the authorized technical assistance for advice.

The squeegee does not dry perfectly

1. Check that the squeegee rubbers are clean.
2. Check that the suction hose is correctly inserted in the proper seat on the recovery tank.
3. Clean the suction filter.
4. Replace the squeegee rubbers if worn.
5. Check that the suction motor switch is on.
6. Check the level in the recovery tank (see under “OVERFLOW DEVICE”) and if necessary, empty the tank.

Excessive foam production

Check that low foam detergent has been used. Add small quantities of anti foam liquid into the recovery tank.

Please be aware that more foam is produced when the floor is not very dirty. In this case please dilute detergent solution.

PROGRAMMED MAINTENANCE

INTERVENTION	DAILY	ORDINARY
RECOVERY TANK CLEANING	•	
SUCTION FILTER CLEANING	•	
BRUSH CLEANING	•	
BRUSH DISASSEMBLY	•	
SQUEEGEE CLEANING	•	
FRONT SQUEEGEE RUBBER REPLACEMENT		•
REAR SQUEEGEE RUBBER REPLACEMENT		•
SQUEEGEE HOSE CLEANING		•
SOLUTION TANK CLEANING		•

RECOMMENDED BRUSHES

Brushes must be chosen depending on type of floor and dirt to be removed.

The employed material and the bristles diameter are the elements that distinguish different types of brushes.

MATERIAL	CHARACTERISTICS
PPL (Polypropylene)	Good wear resistance. Maintains characteristics with hot water up to 140°F (60°C). It is not hygroscopic.
BRISTLES THICKNESS	Thicker bristles are more rigid and must be used on smooth floor or floor with small joints. On irregular floors with deep joints or relieves, it is recommended to use softer bristles
PAD HOLDER	Pad holder is recommended to clean smooth surfaces. It has anchor points, which permit the blocking of the abrasive pad during work.

CODE	QUANTIT	DESCRIPTION	USE
48903020	1	Brush PPL 0,6 Ø 345	Normal floors.
48903030	1	Brush PPL 0,9 Ø 345	Smooth floors with small joints and persistent dirt.
48903050	1	Brush 5-mix Ø 345	For all types of floors.
48803010	1	Pad holder Ø 330	For pads of 14", for smooth surfaces cleaning.
48803030	1	Pad holder Ø 330 + center lock green	For pads of 14", for smooth surfaces cleaning.
48803040	1	Pad holder Ø 330 + center lock black	For pads of 14", for smooth surfaces cleaning.



Long Term Buyer Protection Limited Warranty

Tornado Industries, LLC. (Tornado) warrants to the end/user customer that the Tornado product(s) will be free from defects in material and workmanship for the duration(s) described below. This limited warranty DOES NOT cover machines and/or components subject to normal wear and tear, damage that occurs in shipping, failures resulting from modification, accident, unsuitable operating environment, misuse, abuse, neglect, or improper maintenance by you. For full details, contact your Authorized Tornado Distributor, Service Center, or the Tornado Technical Service Department. Tornado sales and service representatives are not authorized to waive or alter the terms of this warranty, or to increase the obligations of Tornado under the warranty.

10 Years*

Plastic water tanks and Rotationally-molded bodies

2 Years*

Parts on all Tornado cleaning equipment

1 Year*

Labor on all Tornado cleaning equipment

1 Year*

Warranty on batteries, one year prorated

All battery warranties are handled directly by the battery manufacturer, on a one year prorated basis

Terms subject to change without notice

1. Except all Windshears™ Blowers, Storm, TV2SS, Side and Downdraft, Insulation Blowers, CV 30, CV 38, CK14/1 PRO, CK 14/2 PRO, SWM 31/9, CK LW13/1, CK LW 13/1 ROAM, CV 38/48 Dual, PV6, PV10, PV6 ROAM, Wall Mount Vacuum and all chargers are warranted for 1 (one) year for both parts and labor.
2. All non-wear item parts purchased after warranty expiration are warranted for 90 days.
3. Warranty starts from the date of sale to the consumer or, at Tornado's discretion, 6 months after the dealer purchased the unit from Tornado, whichever comes first.
4. The EB 30 is warranted for a period of 90 days for both parts and labor.
5. The warranty on engines used on propane powered equipment is limited to motor manufacturer's warranty.
6. Ride-on Scrubbers are warranted for 24 months, parts, 6 months labor or 1,000 hours, whichever occurs first.

Note: Tornado, The Latest Dirt, Floorkeeper, Carpetkeeper, Carpetrinser, Carpetrinser/Dryer, Headmaster, Taskforce, PAC-VAC, T-Lite, Glazer, Windshear, Max-Vac and Trot-Mop are trademarks of Tornado Industries

Website: www.tornadovac.com
Phone 1-800-VACUUMS
Fax 817-551-0719
Address 3101 Wichita Court
Fort Worth, TX 76140



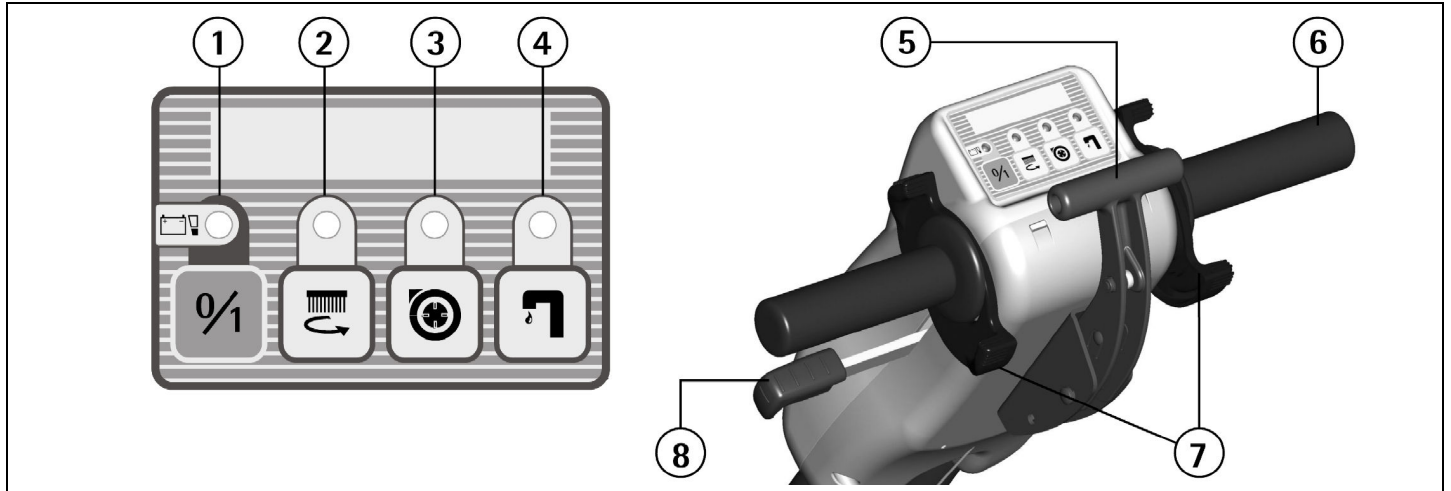
ÍNDICE

ÍNDICE	15
LEYENDA TABLERO DE INSTRUMENTOS Y MANDOS	16
LEYENDA MÁQUINA	16
DESCRIPCIÓN TÉCNICA	17
ADVERTENCIA	18
NORMAS GENERALES DE SEGURIDAD	18
SIMBOLOGÍA	18
ANTES DEL EMPLEO	19
Movimiento máquina embalada	19
Desembalaje de la máquina	19
Movimiento del timón	19
Conexión baterías	19
Desmontaje de las baterías AGM	19
Recarga de las baterías AGM	19
Eliminación de las baterías	20
Depósito de recuperación	20
Depósito de la solución detergente	20
LIMPIEZA DE LOS SUELOS	20
Accionamiento de la máquina	20
Reglaje del timón	20
Dispositivo rebosadero	20
DETENCIÓN DE LA MÁQUINA AL FINAL DE LA LIMPIEZA	21
MANTENIMIENTO DIARIO	21
Vaciado y limpieza depósito de recuperación	21
Vaciado y limpieza del depósito solución	21
Limpieza del filtro de aspiración	21
Parque vertical de la máquina	21
Limpieza del cepillo	22
Desmontaje/montaje del cepillo	22
Limpieza de la boquilla de secado	22
MANTENIMIENTO ORDINARIA	22
Sustitución del cepillo	22
Sustitución del labio trasero de la boquilla de secado	22
Sustitución del labio delantero de la boquilla de secado	22
CONTROL DE FUNCIONAMIENTO	23
El motor de aspiración no funciona	23
El motor del cepillo no funciona	23
El agua en el cepillo no es suficiente	23
La máquina no limpia bien	23
La boquilla de secado no seca perfectamente	23
Producción excesiva de espuma	23
Led (2), (3) y (4) se ponen de color rojo	23
MANTENIMIENTO PROGRAMADO	24
CEPILLOS ACONSEJADOS	24
GARANTÍA LIMITADA A LARGO PLAZO	25

LEYENDA TABLERO DE INSTRUMENTOS Y MANDOS

1. INTERRUPTOR GENERAL Y TESTIGO
2. INTERRUPTOR MOTOR DEL CEPILLO Y TESTIGO
3. INTERRUPTOR MOTOR DE ASPIRACIÓN Y TESTIGO
4. INTERRUPTOR ELECTROVÁLVULA Y TESTIGO

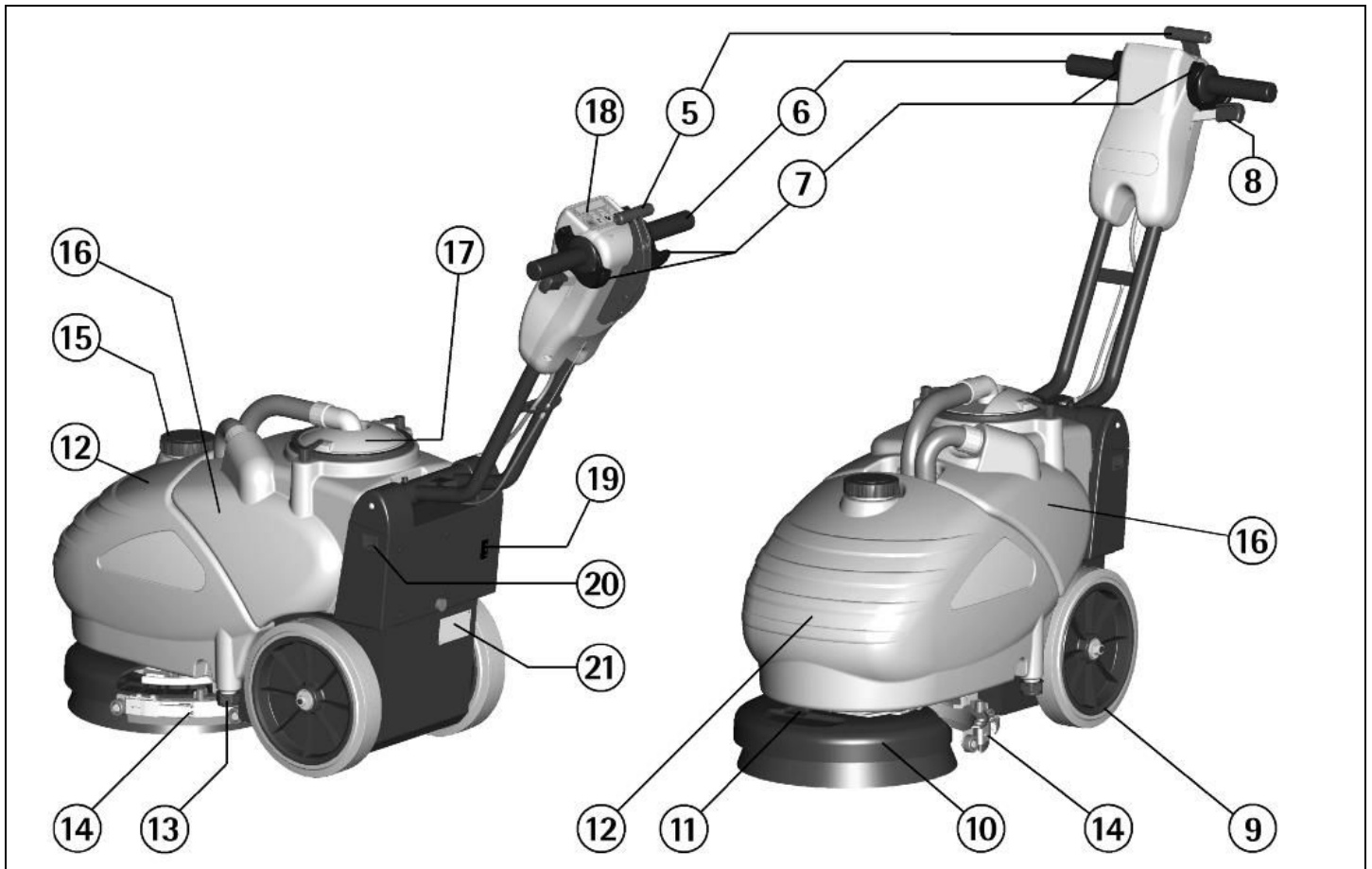
5. PALANCA ELEVADORA BOQUILLA DE SECADO
6. MANGOS DEL MANILLAR
7. MANETAS DE CONTROL INICIO/PARO
8. PALANCA DESBLOQUEO DEL TIMÓN



LEYENDA MÁQUINA

9. RUEDAS
10. GRUPO BANCADA CEPILLO
11. REGULADOR DE CAUDAL DE LA SOLUCIÓN DETERGENTE
12. DEPÓSITO DE SOLUCIÓN
13. TAPÓN DE VACIADO SOLUCIÓN DETERGENTE
14. GRUPO BOQUILLA DE SECADO
15. TAPA DE LLENADO SOLUCIÓN DETERGENTE

16. DEPÓSITO DE RECUPERACIÓN
17. TAPA ASPIRACIÓN
18. TABLERO DE INSTRUMENTOS
19. LED DE SEÑAL NIVEL CARGA DE LAS BATERÍAS (AGM)
20. ENCHUFE DE ALIMENTACIÓN ELÉCTRICA CARGADOR BATERÍAS
21. PLACA MATRÍCULA



DESCRIPCIÓN TÉCNICA		con baterías AGM
Ancho de trabajo	mm/in	345/14
Ancho de la boquilla de secado	mm/in	410/16
Tensión de las baterías	V	24
Capacidad baterías	Ah ₅	28
Potencia instalada	W/A	430/18
Rendimiento de trabajo (max)	sqm/h/ sq.ft/hr	1240/11300
Diámetro del cepillo	mm/in	345/14
Velocidad giro del cepillo	rpm	170
Presión del cepillo	kg/lbs	25/55
Depresión motor de aspiración	Mbar/Water lift	90/36"
Tipo de avance		semi autom.
Desnivel máximo	%	2
Capacidad depósito de solución	l/Gal	15/4
Capacidad depósito de recuperación	l	16
Longitud máquina (min)	mm/in	745/29
Altura máquina	mm/in	550/21.6
Anchura máquina	mm/in	415/16.3
Peso máquina (en vacío con las baterías)	kg/lbs	65/143
Peso baterías	kg/lbs	22/48
Tiempo de recarga max	h	10
Hueco baterías con apoyos (l x anch x alt)	mm/in	215 x 270 x 190/ 8.5 x 10.6 x 7.5
Hueco baterías sin apoyos (l x anch x alt)	mm/in	---
Nivel de presión acústico (en conformidad con EN604_01)	dB (A)	66,8
Nivel de vibración a los brazos (en conformidad con ISO 5349-1)	m/s ² /ft/s ²	1,48/4.9
Clase		I
Nivel de protección	IP	23
Cargador de las baterías: tensión de la red	V ~	120/230
Cargador de las baterías: frecuencia de la red	Hz	50/60
Cargador de las baterías: clase		I

ADVERTENCIA

Les agradecemos por haber seleccionado nuestra máquina. Esta máquina fregadora se emplea en la limpieza industrial y civil para cualquier tipo de pavimentación, excluida la limpieza de moquetas. Durante su movimiento de avance, la acción combinada del cepillo y de la solución detergente, limpia la suciedad que se recoge con la boquilla de aspiración trasera dejando perfectamente seca la superficie.

La máquina ha de ser utilizada sólo para este fin. Se obtienen las mejores prestaciones si se emplea correctamente y se mantiene en plena eficacia. Rogamos por consiguiente leer cuidadosamente estas instrucciones y volver a leerlas cada vez que tengan dificultades.

En caso de necesidad, recordamos que nuestro servicio de asistencia queda siempre a su disposición para eventuales consejos o intervenciones directa.

NORMAS GENERALES DE SEGURIDAD

Las normas aquí abajo indicadas tienen que cumplirse cuidadosamente para evitar daños al operador y a la máquina.

- Leer cuidadosamente las etiquetas en la máquina, no cubrir las por ningún motivo y sustituirlas en seguida en caso de que fuesen dañadas.
- Tendrán que utilizar la máquina únicamente el personal autorizado y formado para el empleo.
- Durante el funcionamiento de la máquina hay que tener cuidado con las demás personas y especialmente con los niños.
- En presencia de los niños, hay que vigilar la máquina de manera que no ocurre que los demás jueguen con la misma.

- La máquina no es destinada al empleo de personas, niños incluidos, las cuales capacidades físicas, sensoriales o mentales sean reducidas, o bien con carencia de experiencia o de conocimiento, a menos que éstas hayan podido beneficiar, a través de la intermediación de una persona responsable de suyas seguridad, vigilancia o instrucciones concerniente el empleo.

- Evitar tocar o pasar sobre el cable de alimentación con el cepillo trabajando.

- La toma de la red de alimentación tiene que ser equipada de conexión a tierra reglamentaria.

- Evitar dañar el cable de alimentación con plegados, aplastamientos o esfuerzos.

- Controlar la integridad del cable de alimentación. Si está trabajando y se nota un daño, parar inmediatamente la máquina y quitar el enchufe de la red de alimentación. Sustituirlo con el cable especial localizable cerca del centro de asistencia técnica autorizado.

- No mezclar detergentes de tipo diferente para evitar la producción de gases nocivos.

- La temperatura de almacenamiento tiene que estar comprendida entre 32°F y 131°F (0°C y +55°C).

- Temperatura óptima de trabajo: entre 32°F y 104°F (0°C y 40°C).

- La humedad no tiene que superar el 95%.

- No emplear la máquina en atmósfera explosiva.

- No emplear la máquina como vehículo de transporte.

- No subir o bajar las escaleras.

- No utilizar soluciones ácidas que podrían dañar la máquina y/o las personas.

- Evitar que el cepillo trabaje estando la máquina parada para no causar daños al suelo.

- No utilizar la máquina en superficies esparcidas de líquidos o polvos inflamables (por ejemplo hidrocarburos, cenizas o tiznes).

- En caso de incendio, emplear un extintor de polvo. No emplear agua.

- No chocar con estanterías o andamios donde hay peligro de caída de objetos.

- No utilizar la máquina sobre superficies con inclinación superior a la indicada en la placa.

- La máquina tiene que realizar las operaciones de lavado y secado al mismo tiempo. Operaciones de

naturaleza diferente tendrán que ser realizadas en zonas prohibidas para el paso de personas no encargadas del trabajo y el operador tendrá que ponerse calzado adecuado.

- Hay que señalar las zonas de pavimento mojado con letreros para tal efecto.

- Cuando se observasen anomalías en el funcionamiento de la máquina, asegurarse que no sean causadas por la falta de mantenimiento ordinaria. De no ser así, solicitar la intervención del centro de asistencia autorizado.

- En caso de sustitución de piezas, pedir los repuestos ORIGINALES a un concesionario y/o distribuidor autorizado.

- Emplear solamente cepillos ORIGINALES señalados en el párrafo "CEPILLOS ACONSEJADOS".

- Para cualquier intervención de limpieza y/o mantenimiento cortar el suministro eléctrico a la máquina.

- No quitar las protecciones que requieren el empleo de utensilios para ser sustituidas.

- No lavar la máquina con chorro de agua directa o a presión, o con sustancias corrosivas.

- Cada 200 horas de trabajo hacer controlar la máquina por un centro de asistencia autorizado.

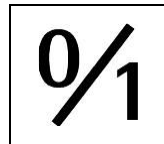
- Antes de utilizar la máquina, controlar que todas las tapas y las coberturas estén colocadas como se ha indicado en este manual de uso y mantenimiento.

- Restablecer todas las conexiones eléctricas después de haber efectuado cualquier intervención.

- Proceder a la eliminación de los materiales de consumo siguiendo las normas de ley vigentes.

- Cuando vuestra máquina deje de ser empleada, proceder al desmantelamiento apropiado de los materiales en la misma contenidos especialmente aceite y componentes electrónicos, y considerando que la máquina misma fue construida en medida de lo posible con materiales reciclados.

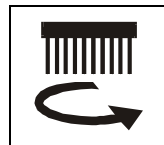
SIMBOLOGÍA



Símbolo 0/1 que indica el interruptor general y el testigo.



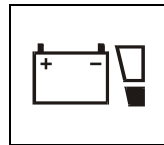
Símbolo del grifo. Indica el interruptor y el testigo de la electroválvula.



Símbolo del cepillo. Indica el interruptor y el testigo del motor del cepillo.



Símbolo del motor de aspiración. Indica el interruptor y el testigo del motor de aspiración.



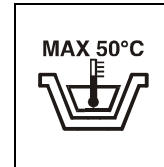
Indicador de nivel de carga de las baterías.



Indica la posición del tapón de descarga del depósito de solución.



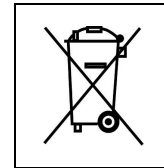
Símbolo que indica de vaciar los depósitos antes de volver a girar la máquina.



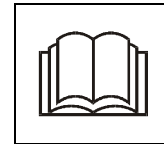
Símbolo que indica la temperatura máxima de la solución detergente.



Símbolo que indica el regulador de caudal de la solución detergente.



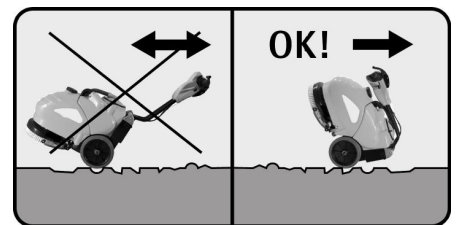
Símbolo del bidón listado. Indica que al final de su actividad, la máquina tendrá que ser eliminada en conformidad de la legislación vigente.



Símbolo del libro abierto. Leer con atención las secciones precedidas por este símbolo, para la seguridad del operador y de la máquina.



Símbolo de aviso. Leer con atención las secciones precedidas por este símbolo, para la seguridad del operador y de la máquina.



Símbolo que indica la manera correcta de desplazar la máquina en superficies cualquier tipo accidentadas.

ANTES DEL EMPLEO

MOVIMIENTO MÁQUINA EMBALADA

La máquina está contenida en un embalaje. El peso total es de 75kg/165lbs (máx). Las dimensiones del embalaje son:

sin pallet:

Base: 80cmx43cm/31.5"x17" **Altura:** 65cm/26"

con pallet:

Base: 80cmx43cm/31.5"x17" **Altura:** 75cm/29.5"

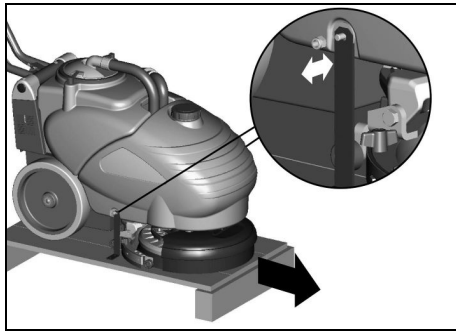


ATENCIÓN:

No se pueden remontar más de dos embalajes.

DESEMBALAJE DE LA MÁQUINA

1. Retirar el embalaje exterior.
2. Destornillar las dos tuercas que fijan los dos soportes fijador a la máquina.
3. Destornillar los tornillos que fijan los soportes fijador al pallet y remover los soportes.
4. Volver a enroscar en la misma posición las dos tuercas encima la máquina necesarias para bloquear el depósito.
5. Llevar el timón a posición de trabajo (ver "MOVIMIENTO DEL TIMÓN") para bajar la máquina del pallet, empujar hacia delante encima las ruedas en posición un poco inclinada hacia atrás para evitar choques fuertes en las partes mecánicas.
6. Guardar el embalaje para eventuales necesidades de transporte.



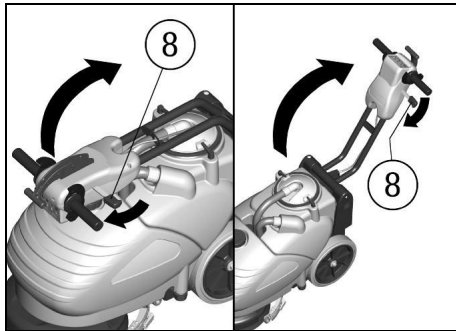
MOVIMIENTO DEL TIMÓN

El timón en el embalaje está en la posición cerrada sobre la máquina.

Para girar el timón en una de las varias posiciones de trabajo y para poder mover la máquina:

1. Actuar sobre la palanca de desbloqueo (8) presente cerca del manillar del timón.
2. Llevar el timón a la posición de trabajo manteniendo apretado la palanca de desbloqueo (8).
3. Volver a dejar la palanca de desbloqueo (8) para obtener el bloqueo del timón.

Agir de la misma manera para mayor reglaje de la altura del timón al fin de obtener la posición de trabajo más confortable.



CONEXIÓN BATERÍAS

Normalmente, la máquina está equipada con dos baterías ya conectadas en serie, introducidas en el hueco para tal efecto debajo del depósito de recuperación.

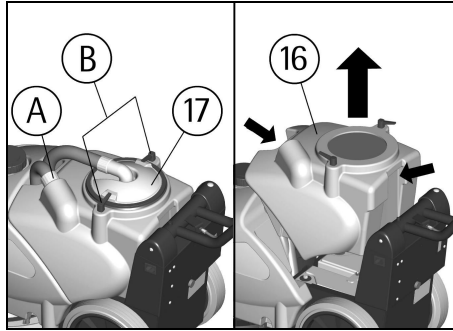
En el caso de que haya necesidad de sustituir las baterías, dirigirse a un centro de asistencia técnica autorizado.

La sustitución tiene que ser realizada exclusivamente con baterías con rendimiento idéntico a aquellas ya colocadas, por lo tanto:

No. 2 baterías AGM 12V 28Ah.

Para acceder al hueco de las baterías es necesario:

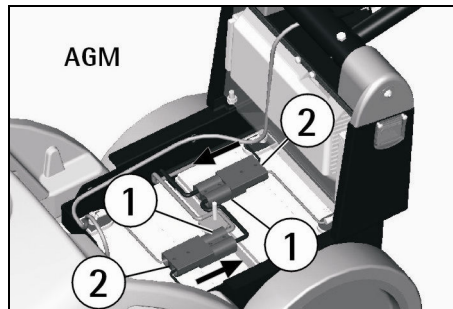
1. Despegar el tubo de la boquilla de secado (A).
2. Quitar el tapón de aspiración (17) después de haber girado las palancas (B) que lo fijan.
3. Levantar y quitar el depósito de recuperación (16) empuñándolo de las manillas apropiadas sacadas a posteriormente y la otra anteriormente del depósito.



Conexión baterías AGM:

Conectar los dos conectores baterías (1) a los conectores de la máquina (2).

Cuando la máquina está parada por un tiempo prolongado, desconectar los conectores (1).



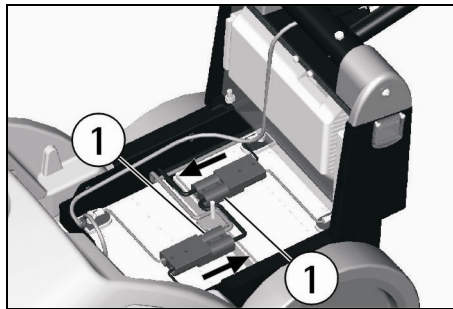
ATENCIÓN:

Todas las operaciones de instalación y mantenimiento tienen que ser realizadas por personal especializado, empleando dispositivos de protección apropiados.

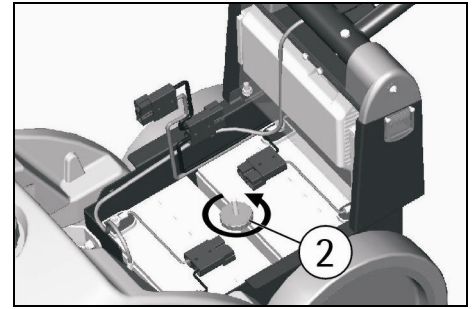
DESMONTAJE DE LAS BATERÍAS AGM

Para desmontar las baterías de la máquina, es necesario atenerse al siguiente procedimiento:

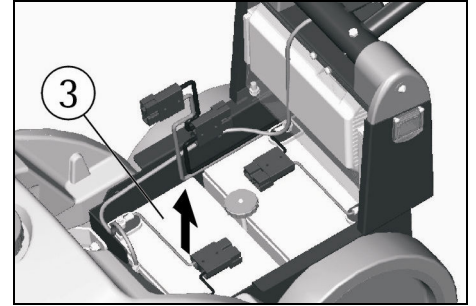
1. Desconectar los conectores (1) para desenganchar las baterías de la instalación eléctrica de la máquina.



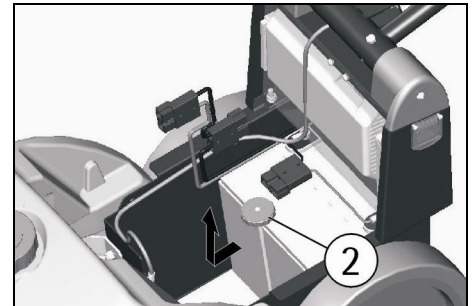
2. Destornillar el seguro batería (2).



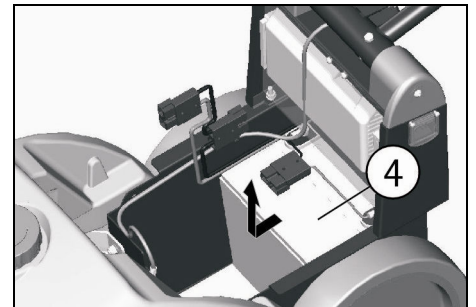
3. Quitar la primera batería (3).



4. Desenganchar el seguro baterías (2) haciéndolo deslizar a lo largo de la ranura hasta quitarlo.



5. Quitar la otra batería (4) haciéndola deslizar adelante en el hueco baterías para sacarla.



Para volver a montar todo, realizar el procedimiento apenas alistado en orden inverso.

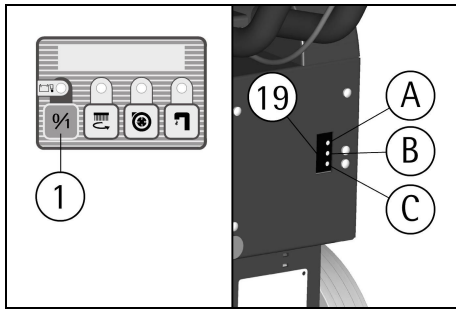
RECARGA DE LAS BATERÍAS AGM

Con el interruptor general (1) encendido, en la parte trasera de la máquina se visualiza el nivel de carga de las baterías (19).

A: led verde encendido = baterías cargas.

B: led naranja encendido = baterías casi descargadas.

C: led rojo encendido = descarga completa de las baterías con consiguiente apagamiento automático de todas las funciones de la máquina (proceder a la recarga inmediata).



Durante las operaciones de recarga se activa un dispositivo que no permite el funcionamiento de la máquina.

Colocar la máquina en una superficie plana cerca de una toma monofásica.

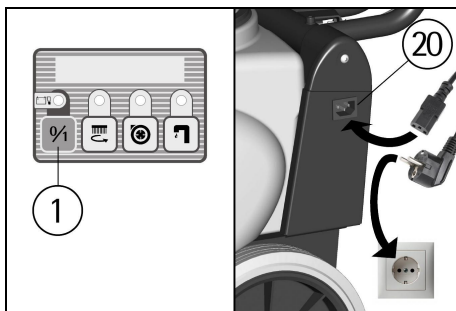
Apagar el interruptor general (1).

Conectar el cable de alimentación, suministrado con la máquina, tanto a la máquina (20) que a la red de alimentación como se indica en el gráfico.

Al final de la recarga, quitar el cable de alimentación. La fase de recarga está completa solo cuando sobre el cargador se enciende el led verde (A).

⚠ ATENCIÓN:

Para no causar daños permanentes a las baterías, es indispensable evitar la descarga completa de las mismas, efectuando inmediatamente la recarga. Además, en el caso de una parada por más de dos semanas de la máquina, desconectar los conectores de las baterías (ver capítulo CONEXIÓN BATERÍAS).



⚠ ATENCIÓN:

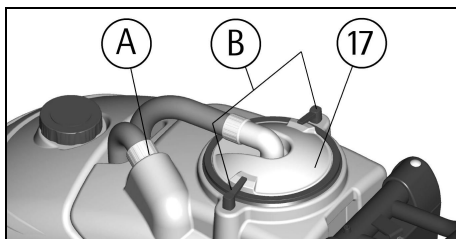
No cargar jamás las baterías con un cargador no adecuado. Seguir esmeradamente las instrucciones transmitidas del fabricante de las baterías y del cargador.

ELIMINACIÓN DE LAS BATERÍAS

Es obligatorio entregar las baterías agotadas, que son clasificadas como residuos peligrosos, a un ente autorizado en conformidad con la legislación vigente para la eliminación.

DEPÓSITO DE RECUPERACIÓN

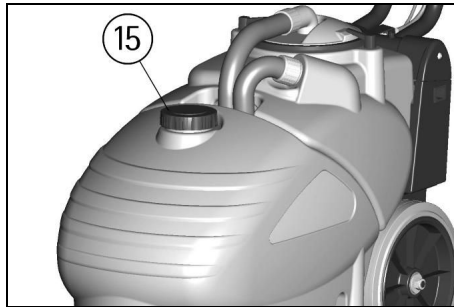
Controlar que la tapa del filtro de aspiración (17) esté correctamente bloqueada, después de haber girado las palancas (B). Comprobar además que el tubo de la boquilla de secado (A) esté correctamente introducido en su alojamiento.



DEPÓSITO DE LA SOLUCIÓN DETERGENTE

La capacidad del depósito de la solución está indicada en la ficha técnica.

Abrir el tapón roscado (15) que se encuentra en la parte superior y llenar el depósito de la solución con agua limpia, con una temperatura no superior a 50°C (122°F). Añadir el detergente líquido en la concentración y con las modalidades previstas por el fabricante. Para evitar la formación de una cantidad excesiva de espuma que podría dañar el motor de aspiración, emplear una cantidad mínima de detergente. Enroscar el tapón del depósito de la solución.



⚠ ATENCIÓN:

Hay que emplear siempre detergente de espuma controlada. Para evitar con seguridad la producción de espuma, antes de empezar el trabajo introducir en el depósito de recuperación una cantidad mínima de líquido antiespuma.

No emplear ácidos en estado puro.

LIMPIEZA DE LOS SUELOS

ACCIONAMIENTO DE LA MÁQUINA

Los pulsadores encima el tablero de control están dotados de un testigo verde superior que señala la activación del mando.

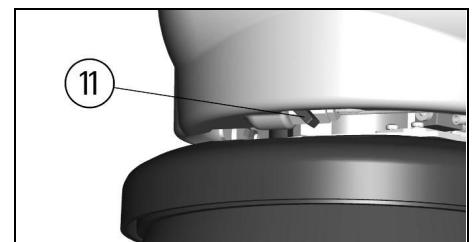
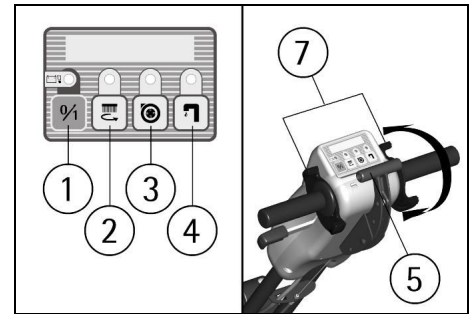
1. Encender la máquina apretando el interruptor general (1).
2. Controlar el estado de la carga de las baterías (ver "RECARGA DE LAS BATERÍAS").
3. Bajar la boquilla de secado girando hacia abajo la palanca (5) puesta al centro del timón.
4. Accionar el interruptor del motor cepillo (2).
5. Accionar el interruptor del motor de aspiración (3).
6. Accionar el interruptor de la electroválvula (4).

La máquina está equipada de electroválvula, por lo tanto el caudal de la solución detergente será accionado automáticamente actuando las manetas de inicio/paro (7). Volviendo a dejar las manetas de inicio/paro, el caudal se interrumpirá automáticamente.

7. Poniendo en funcionamiento las manetas inicio/paro (7) el cepillo empezará a girar. El caudal de la solución detergente empezará a fluir y la boquilla de secado empezará a aspirar.

8. Durante los primeros metros (feet) se debe controlar que el caudal de la solución detergente sea adecuado. El regulador de caudal de la solución detergente ya está tarado de la fábrica para satisfacer la limpieza por la mayor parte de los suelos. Si es necesario modificar la cantidad de la solución detergente en el suelo, actuar sobre la palanca del regulador de caudal (11).

9. Cuando se efectúan desplazamientos aun cortos en marcha atrás, asegurarse que la boquilla de secado esté levantada.



REGLAJE DEL TIMÓN

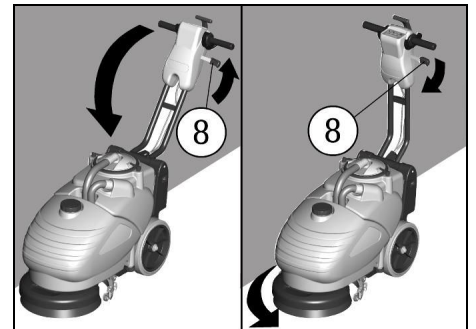
En proximidad de obstáculos o paredes se puede simplificar la maniobra de la máquina regulando el timón con una posición de la empuñadura más vertical con respecto a la máquina.

Para girar el timón:

1. Actuar sobre la palanca de desbloqueo (8) presente cerca de la empuñadura del timón.
2. Girar el timón en la nueva posición de trabajo manteniendo apretada la palanca de desbloqueo (8).
3. Volver a dejar la palanca de desbloqueo (8) para obtener el bloqueo del timón.

Una vez superado el obstáculo y completada la manobra repetir la operación para volver a la posición de trabajo precedente.

También es posible hacer esta operación con la máquina en movimiento manteniendo apretado a la vez la maneta de inicio/paro (7).



DISPOSITIVO REBOSADERO

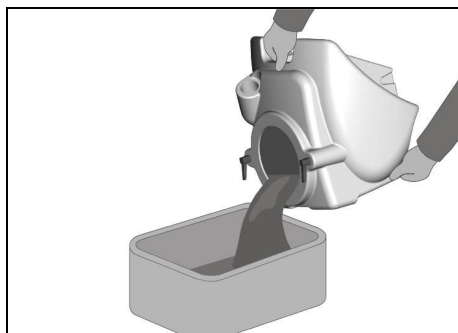
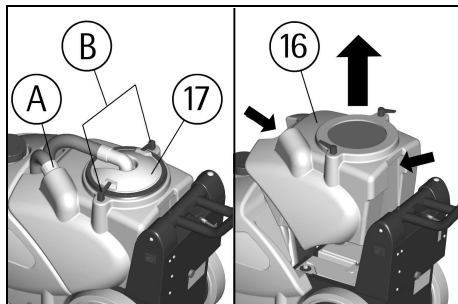
A fin de evitar daños serios al motor de aspiración, la máquina está equipada de un flotador que actúa cuando el depósito de recuperación está lleno causando el cierre del tubo de aspiración y por lo tanto de la aspiración.

En este caso hay que vaciar el depósito de recuperación.

1. Apagar la máquina apretando el interruptor general.
2. Quitar el tapón de aspiración (17) después de haber girado las palancas (B) que lo fijan.
3. Quitar el tubo de la boquilla de secado de su asiento (A).
4. Levantar y quitar el depósito de recuperación (16) cogiéndolo por las asas apropiadas sacadas una posteriormente y la otra anteriormente del depósito. Vaciar el depósito de recuperación en las tinas previstas siguiendo las normas de ley vigentes para el desmantelamiento apropiado de los líquidos.
5. Volver a montar todo.

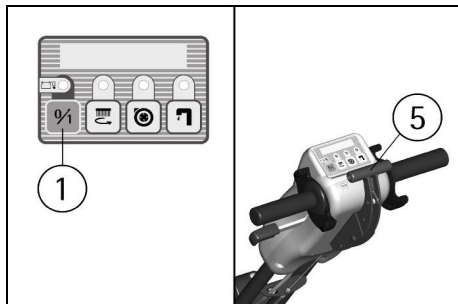
⚠ ATENCIÓN:

Esta operación se debe realizar llevando guantes para protegerse del contacto con soluciones peligrosas.

**DETENCIÓN DE LA MÁQUINA AL FINAL DE LA LIMPIEZA**

Antes de ejecutar cualquier tipo de mantenimiento:

1. Apagar el interruptor general (1).
2. Levantar la boquilla de secado girando hacia arriba el manillar (5) puesto en el centro del timón.
3. Llevar la máquina hasta el lugar previsto para la descarga del agua.

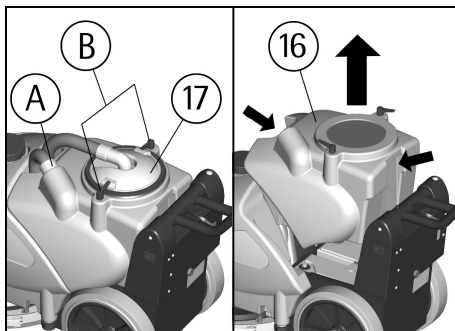
**⚠ ATENCIÓN:**

La máquina no está equipada de freno de estacionamiento por lo tanto no hay que dejarla en planos inclinados.

MANTENIMIENTO DIARIO**VACIADO Y LIMPIEZA DEPÓSITO DE RECUPERACIÓN**

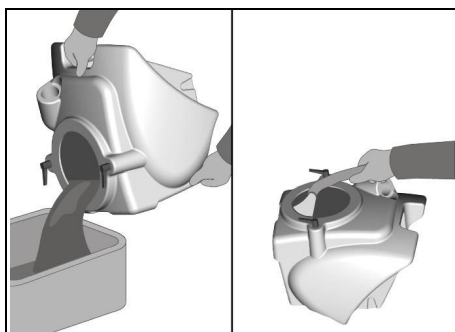
Para vaciar y limpiar el depósito de recuperación:

1. Apagar la máquina apretando el interruptor general.
2. Quitar el tapón de aspiración (17) después de haber girado las palancas (B) que lo fijan.
3. Quitar el tubo de la boquilla de secado de su asiento (A).
4. Levantar y quitar el depósito de recuperación (16) cogiéndolo por las asas apropiadas sacadas una posteriormente y la otra anteriormente del depósito.



Vaciar el depósito de recuperación en las tinas previstas siguiendo las normas de ley vigentes para el desmantelamiento apropiado de los líquidos.

5. Proceder al enjuague y a la limpieza del depósito.
6. Volver a montar todo.

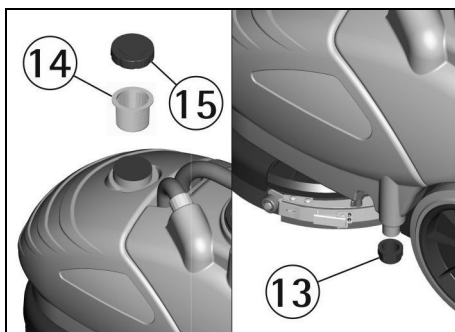
**⚠ ATENCIÓN:**

Esta operación ha de ser realizada llevando guantes para protegerse del contacto con soluciones peligrosas.

VACIADO Y LIMPIEZA DEL DEPÓSITO SOLUCIÓN

Para descargar la solución detergente restante en el depósito de la solución:

1. Llevar la máquina hasta el lugar previsto para la descarga del agua.
2. Apagar la máquina con el interruptor general.
3. Desenroscar la tapa de carga (15) del depósito solución.
4. Desenroscar el tapón de descarga (13) colocado inferiormente en el lado izquierdo de la máquina.
5. Si es necesario, limpiar con un chorro de agua el filtro superior (14) de la solución detergente.

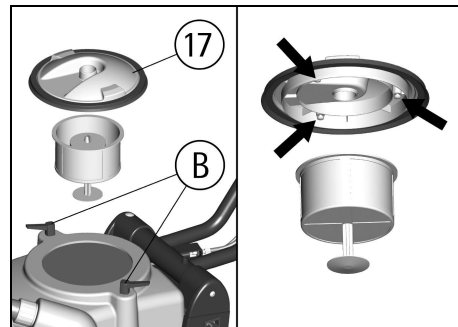
**⚠ ATENCIÓN:**

Esta operación tiene que ser realizada llevando guantes para protegerse del contacto con soluciones peligrosas.

LIMPIEZA DEL FILTRO DE ASPIRACIÓN

1. Quitar el tapón de aspiración (17) después de haber girado las palancas (B) que lo fijan.
2. Quitar el filtro con el flotador haciendo flexionar el borde del filtro para liberarlo de los tornillos presentes sobre la tapa.

3. Limpiar todo con un chorro de agua especialmente las paredes y el fondo del filtro.
4. Realizar las operaciones de limpieza de manera esmerada.
5. Volver a montar todo.

**PARQUE VERTICAL DE LA MÁQUINA**

La máquina tiene que asumir una posición vertical volcada en su parte posterior después de haber plegado el timón encima la máquina.

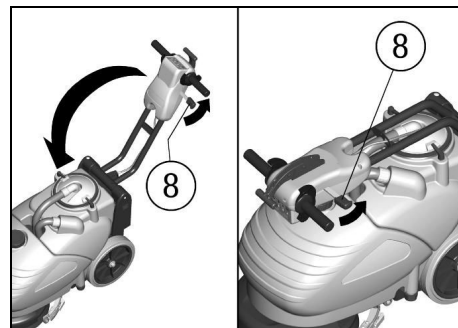
Esta posición permite un estorbo menor por el parque de la máquina y simplifica las operaciones de mantenimiento de la misma.

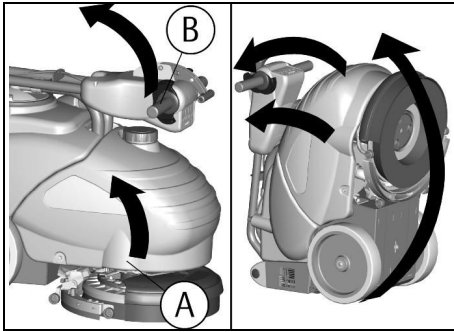
Para voltear la máquina hay que:

1. Apagar el interruptor general.
2. Controlar que los dos depósitos estén vacíos y en el caso proceder a vaciarlos (ver capítulo "VACIADO Y LIMPIEZA DEPÓSITO DE RECUPERACIÓN" y "VACIADO Y LIMPIEZA DEL DEPÓSITO SOLUCIÓN").
3. Actuar sobre la palanca de desbloqueo (8) presente cerca de la empuñadura del timón.
4. Girar el timón volviendo a doblarlo hacia los depósitos manteniendo apretada la palanca de desbloqueo (8).
5. Volver a dejar la palanca de desbloqueo (8) para obtener el bloqueo del timón.
6. Ponerse en el lado derecho de la máquina.
7. Coger la máquina con ambas manos en el punto (A) del borde depósito y (B) de la empuñadura del timón indicados en el gráfico.
8. Levantar la parte delantera de la máquina haciéndola girar sobre las ruedas traseras llevándola a la posición vertical como en el dibujo.

⚠ ATENCIÓN:

La posición de parque vertical se indica cuando se prevee que no se utilizará la máquina por un período superior a 2/3 días, para evitar que el peso de la máquina pueda con el tiempo dañar el cepillo comprometiendo por lo tanto el correcto funcionamiento de la máquina.



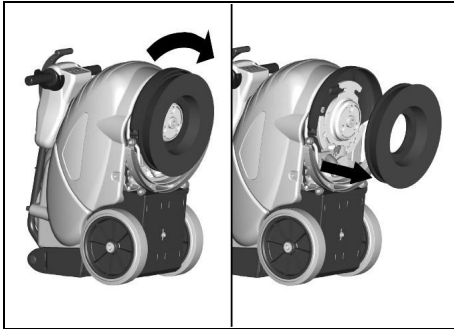


LIMPIEZA DEL CEPILLO

Desmontar el cepillo y limpiarlo con un chorro de agua (para el desmontaje del cepillo ver en seguida "DESMONTAJE/MONTAJE DEL CEPILLO").

DESMONTAJE/MONTAJE DEL CEPILLO

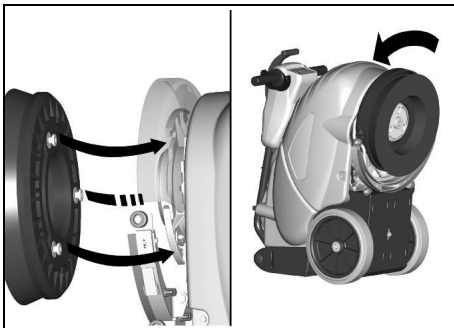
1. Volcar la máquina en su parte posterior (ver capítulo "PARQUE VERTICAL DE LA MÁQUINA") teniendo cuidado de acordarse de apagar el interruptor general y vaciar los depósitos.
2. Con la máquina en este posición girar el cepillo en el sentido horario para que salga del hueco del plato portacepillo, como se indica en el dibujo.



3. Para volver a montar el cepillo introducir los botones de enganche presentes sobre el cepillo en los huecos del plato portacepillo y girar en el sentido antihorario hasta lograr el bloqueo.

⚠ ATENCIÓN:

Las operaciones de la manipulación del cepillo tienen que ser realizadas llevando guantes aptos para protegerse tanto mecánicamente del contacto de las cerdas como por el riesgo químico del contacto con soluciones peligrosas.

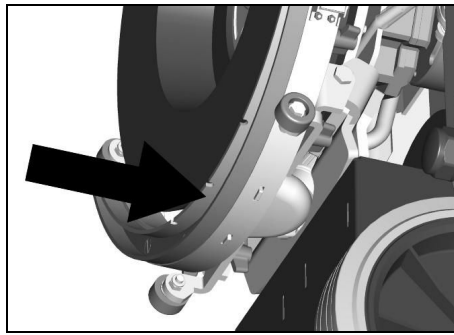


LIMPIEZA DE LA BOQUILLA DE SECADO

Mantener la boquilla de secado limpia es garantía de un mejor secado.

1. Volcar la máquina en su parte posterior (ver capítulo "PARQUE VERTICAL DE LA MÁQUINA") teniendo cuidado de acordarse de apagar el interruptor general y de vaciar los depósitos.
2. Con la máquina en esta posición limpiar esmeradamente el interior del empalme sobre la boquilla de secado eliminando la eventual suciedad

depositada. Limpiar esmeradamente los labios de aspiración.



MANTENIMIENTO ORDINARIA

Asegurarse que el cable de alimentación esté desconectado: desconectar los conectores baterías antes de intervenir.

SUSTITUCIÓN DEL CEPILLO

El cepillo se sustituye cuando interviene el dispositivo de control desgaste cepillo. Se puede además probar otros modelos de cepillos en función del tipo de suelo a limpiar y de las condiciones de la suciedad que se encuentre (ver capítulo "CEPILLOS ACONSEJADOS").

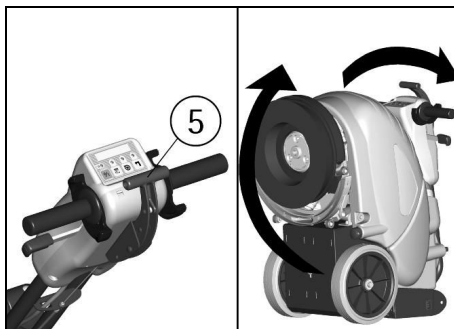
Desmontar el cepillo viejo y sustituirlo con uno nuevo (ver capítulo "DESMONTAJE/MONTAJE DEL CEPILLO").

SUSTITUCIÓN DEL LABIO TRASERO DE LA BOQUILLA DE SECADO

Controlar el estado de desgaste del labio de secado y eventualmente girarlo o sustituirlo.

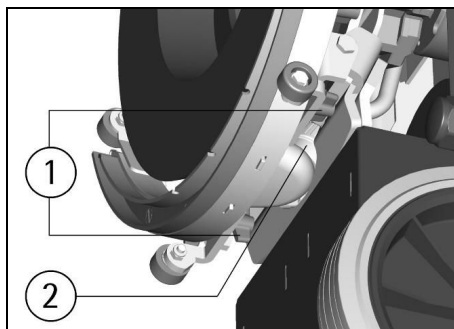
Para la sustitución es necesario:

1. Bajar la boquilla de secado girando hacia abajo la palanca (5) puesta al centro del timón.
2. Volcar la máquina en su parte posterior (ver capítulo "PARQUE VERTICAL DE LA MÁQUINA") teniendo cuidado de acordarse de apagar el interruptor general y de vaciar los depósitos.



3. Con la máquina en esta posición actuar sobre las mariposas (1) destornillándolas completamente para liberar la boquilla de secado.

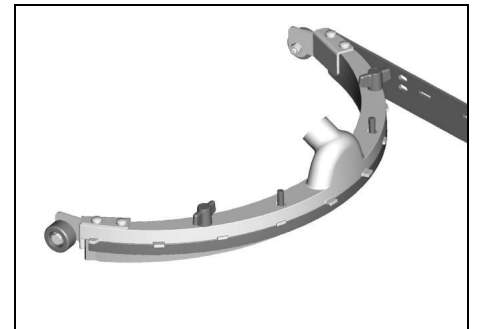
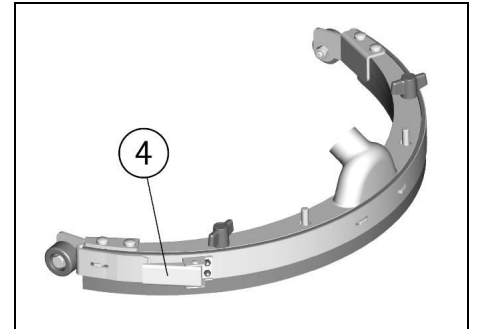
4. Soltar el manguito (2) del tubo de la boquilla de secado y quitar la boquilla de secado.



5. Desenganchar el cierre (4) del listón fijador del labio y sacar el labio para girarlo o para sustituirlo.

6. Controlar que el manguito y el tubo de la boquilla de secado no estén obstruidos y eventualmente eliminar la suciedad.

Para volver a montar la boquilla de secado repetir en orden inverso las operaciones arriba descritas.

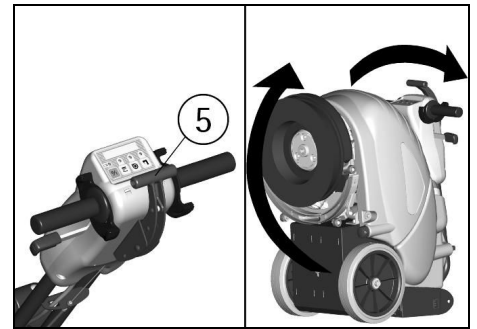


SUSTITUCIÓN DEL LABIO DELANTERO DE LA BOQUILLA DE SECADO

Controlar el estado de desgaste del labio delantero de la boquilla y eventualmente sustituirlo.

Para la sustitución es necesario:

1. Bajar la boquilla de secado girando hacia abajo la palanca (5) puesta al centro del timón.
2. Volcar la máquina en su parte posterior (ver capítulo "PARQUE VERTICAL DE LA MÁQUINA") teniendo cuidado de acordarse de apagar el interruptor general y de vaciar los depósitos.

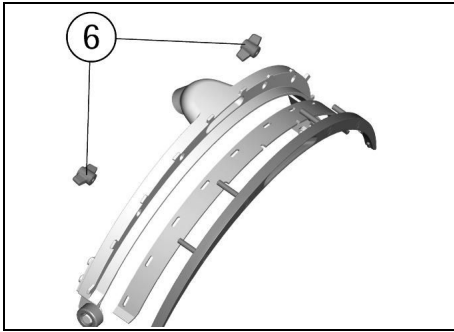


3. Con la máquina en esta posición proceder a desmontar la boquilla de secado y después el labio trasero de la boquilla de secado (ver capítulo "SUSTITUCIÓN DEL LABIO TRASERO DE LA BOQUILLA DE SECADO").

4. Quitar las mariposas (6) colocadas en la parte superior del cuerpo de la boquilla de secado separando luego las dos partes metálicas que lo componen para quitar el labio delantero.

5. Enjuagar con un chorro de agua todos los componentes.

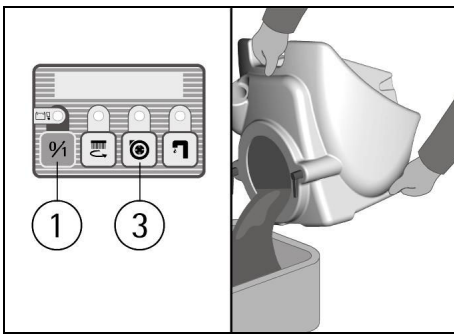
Para volver a montar la boquilla de secado repetir en orden inverso las operaciones arriba descritas.



CONTROL DE FUNCIONAMIENTO

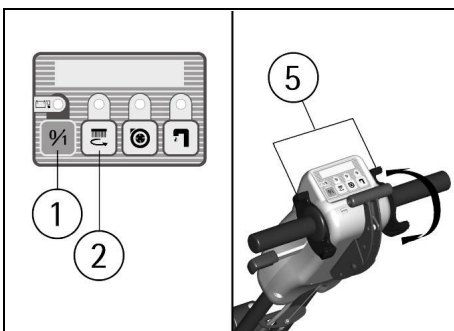
EL MOTOR DE ASPIRACIÓN NO FUNCIONA

1. Controlar el estado de carga de las baterías, que es visible accionando primero el interruptor general (1) (ver capítulo "RECARGA DE LAS BATERÍAS").
 2. Comprobar que el interruptor del motor de aspiración (3) esté activado verificando que el testigo correspondiente esté encendido.
 3. Controlar el nivel en el depósito de recuperación (ver capítulo "DISPOSITIVO REBOSADERO") y si necesario, vaciar el depósito.
- Si el desperfecto continua, contactar con el centro de asistencia técnica autorizado.



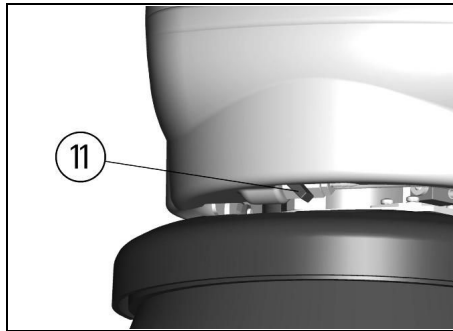
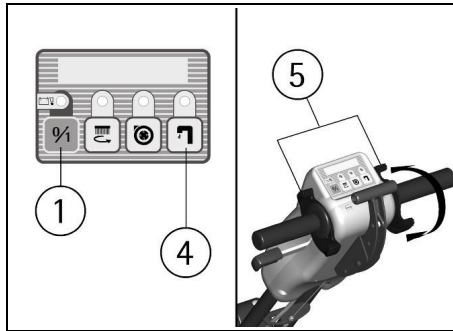
EL MOTOR DEL CEPILLO NO FUNCIONA

1. Controlar el estado de carga de las baterías, que es visible accionando primero el interruptor general (1) (ver capítulo "RECARGA DE LAS BATERÍAS").
 2. Comprobar que el interruptor del motor del cepillo (2) esté activado verificando que el testigo relativo esté encendido.
 3. Accionar las manetas inicio/paro (5).
 4. Controlar que no esté intervenido el dispositivo de seguridad levantamiento cepillo (ver capítulo "DISPOSITIVO DE SEGURIDAD LEVANTAMIENTO CEPILLO").
 5. Controlar que no esté intervenido el control de desgaste cepillo (ver capítulo "DISPOSITIVO DE CONTROL DESGASTE CEPILLO").
- Si el desperfecto continua, contactar con el centro de asistencia técnica autorizado.



EL AGUA EN EL CEPILLO NO ES SUFICIENTE

1. Comprobar que el interruptor de la electroválvula (2) esté activado verificando que el testigo relativo esté encendido.
 2. Controlar el nivel del líquido en el depósito solución (ver capítulo "DEPÓSITO DE LA SOLUCIÓN DETERGENTE").
 3. Comprobar que el regulador de caudal de la solución detergente (11) puesto anteriormente debajo del depósito solución esté suficientemente abierto.
 4. Accionar las manetas inicio/paro (5).
- Si el desperfecto continua, contactar con el centro de asistencia técnica autorizado.

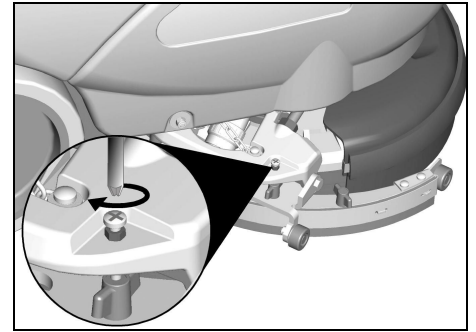


LA MÁQUINA NO LIMPIA BIEN

1. El cepillo no tiene las cerdas de la dimensión apropiada: utilizar solamente cepillos originales. Para una sugerencia, contactar el centro de asistencia técnica autorizado.
 2. La solución detergente no es suficiente: abrir más el regulador de caudal de la solución detergente (11).
 3. Controlar que el detergente esté en el porcentaje aconsejado.
- Consultar el centro de asistencia técnica autorizado para una sugerencia.

LA BOQUILLA DE SECADO NO SECA PERFECTAMENTE

1. Controlar que los labios de la boquilla de secado estén limpios.
2. Controlar que el tubo de aspiración esté conectado correctamente en su alojamiento sobre el depósito de recuperación.
3. Intervenir sobre el filtro de aspiración limpiándolo.
4. Sustituir los labios si gastados.
5. Controlar que el interruptor del motor de aspiración esté encendido.
6. Controlar el nivel en el depósito de recuperación (ver capítulo "DISPOSITIVO REBOSADERO") y si necesario, vaciar el depósito.
7. Si el suelo se queda mojado en la parte central del secado, es necesario cargar mayormente el peso en la parte trasera de la boquilla de secado, enroscando algunas vueltas el tornillo apropiado, como se indica en el dibujo.



PRODUCCIÓN EXCESIVA DE ESPUMA

Controlar que se haya empleado un detergente de espuma controlada. Eventualmente añadir una mínima cantidad de líquido antiespumante en el depósito de recuperación.

Hay que tener en cuenta que hay una mayor producción de espuma cuando el suelo está poco sucio. En este caso diluir aún más la solución detergente.

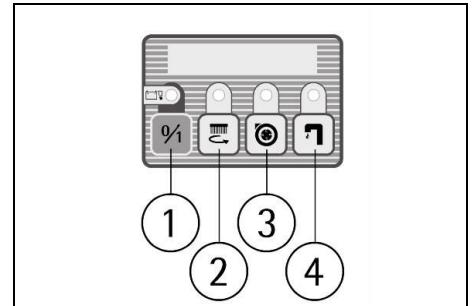
LED (2), (3) Y (4) SE PONEN DE COLOR ROJO

Si la máquina está en orden de marcha, con el interruptor general (1) encendido y uno de los tres led (2), (3) o (4) cambia color, de verde a rojo, significa que es en curso una protección amperiométrica, por ejemplo:

- LED (2) ROJO: el motor del cepillo está habiendo un esfuerzo tan grande.
- LED (3) ROJO: el motor de aspiración está aspirando agua y por lo tanto está forzando mucho.
- LED (4) ROJO: la bobina de la electroválvula puede ser en cortocircuito.

Para restablecer, apagar el interruptor general (1), esperar unos minutos y después encender otra vez.

Si el desperfecto continua, contactar con el centro de asistencia técnica autorizado.



MANTENIMIENTO PROGRAMADO

INTERVENCIÓN	DIARIA	ORDINARIO/MENSUALMENTE
LIMPIEZA DEPÓSITO DE RECUPERACIÓN	•	
LIMPIEZA FILTRO DE ASPIRACIÓN	•	
LIMPIEZA DEL CEPILLO	•	
DESMONTAJE DEL CEPILLO	•	
LIMPIEZA DE LA BOQUILLA DE SECADO	•	
SUSTITUCIÓN DEL LABIO DELANTERO DE LA BOQUILLA DE SECADO		• si necesario
SUSTITUCIÓN DEL LABIO TRASERO DE LA BOQUILLA DE SECADO		• si necesario
LIMPIEZA DEL TUBO DE LA BOQUILLA DE SECADO		•
LIMPIEZA DEL DEPÓSITO SOLUCIÓN		•

CEPILLOS ACONSEJADOS

Los cepillos tienen que ser elegidos en función del tipo de suelo y de la suciedad que se lava. El material empleado y el diámetro de las cerdas son los elementos que diferencian los cepillos.

MATERIAL	CARACTERÍSTICAS
PPL (Polipropileno)	Buena resistencia al desgaste. Mantiene las características con agua caliente hasta 60°C. No es higroscópico.
ESPESOR DE LAS CERDAS	Las cerdas de mayor espesor son más rígidas y por consiguiente hay que emplearlas sobre suelos lisos o con intervalos pequeños. Para suelos irregulares o con relieves o con intervalos hondos es aconsejable emplear cerdas más suaves que penetran más fácilmente en profundidad. Hay que tener en cuenta que cuando las cerdas del cepillo están desgastadas y por consiguiente demasiado cortas, se vuelven rígidas, ya no logran penetrar y limpiar en profundidad, pues como en caso de cerdas demasiado gruesas el cepillo tiende a saltar.
DISCO DE ARRASTRE	El disco de arrastre es aconsejado para limpiar superficies lisas. El disco está equipado de una serie de puntas de ancla que permiten retener y arrastrar el disco abrasivo (pad) durante el trabajo. Es importante que la altura del disco con su pad esté igual a la altura del cepillo.

CÓDIGO	CANTIDAD	DESCRIPCIÓN	EMPLEO
48903020	1	Cepillo PPL 0,6 Ø 345mm/14"	Suelos normales.
48903030	1	Cepillo PPL 0,9 Ø 345mm/14"	Suelos lisos con juntas estrechas y suciedad persistente.
48903050	1	Cepillo 5-mix Ø 345mm/14"	Para cualquier tipo de suelo.
48803010	1	Disco arrastre Ø 330mm/13"	Por el pad de 14", para la limpieza de superficies lisas.
48803030	1	Disco arrastre Ø 330mm/13" con center lock	Por el pad de 14", para la limpieza de superficies lisas.
48803040	1	Disco arrastre Ø 330mm/13" con center lock	Por el pad de 14", para la limpieza de superficies lisas.



Long Term Buyer Protection Limited Warranty

Tornado Industries, Inc. (Tornado) garantiza al consumidor final que los productos Tornado no tendrán defectos de materiales ni mano de obra durante el período indicado abajo. Esta garantía limitada NO cubre a las máquinas y/o componentes sujetos al desgaste normal, los daños ocasionados durante el envío, las fallas producidas por modificaciones, accidentes, entorno operativo inadecuado, mal uso, abuso, negligencia o mal mantenimiento por parte del usuario. Para más detalles, contáctese con su Distribuidor de Tornado Autorizado, el Centro de Reparaciones, o el Departamento de Servicio Técnico de Tornado. Los representantes de ventas y servicio técnico de Tornado no están autorizados a renunciar o alterar los términos de esta garantía, ni a incrementar las obligaciones de Tornado bajo esta garantía.

10 Años*

Tanques de agua plásticos y cuerpos moldeados en forma rotatoria

2 Años*

Piezas de todos los equipos de limpieza Tornado

1 Año*

Mano de obra de todos los equipos de limpieza Tornado

1 Año*

Garantía de baterías, un año prorrateado.

Todas las garantías de las baterías son manejadas directamente por el fabricante de las baterías, en base a un año prorrateado

Términos sujetos a cambios sin previo aviso.

1. Con excepción de los Ventiladores-Secadores Windshear™, de tiro lateral y descendente, Ventiladores de Aislamiento, CV 30, CV 38, CK14/1 PRO, CK 14/2 PRO, SWM31/9, CK LW 13/1, CK LW 13/1 ROAM, CV 38/48 Dual, PV6, PV10, PV6 ROAM, Wall Mount todas las Barredoras, Aspiradoras en Seco, y todos los cargadores tienen garantía por 1 (un) año tanto para sus piezas como para la mano de obra.
2. Todas las piezas no desgastadas compradas después del vencimiento de la garantía, tienen garantía por 90 días.
3. La garantía comienza a correr desde la fecha de venta al consumidor o, a discreción de Tornado, 6 meses después de que el vendedor compre la unidad a Tornado, lo que ocurra primero.
4. El artículo EB 30 tiene garantía por un período de 90 días tanto para sus piezas como para la mano de obra.
5. La garantía de los motores utilizados en equipos a propano se limita a la garantía de fábrica del motor.
6. Las fregadoras con conductor tienen garantía de 24 meses para sus piezas, 6 meses para la mano de obra o 1000 horas, lo que ocurra primero.

Nota: Tornado, The Latest Dirt, Floorkeeper, Carpetkeeper, Carpetrinser, Carpetrinser/Dryer, Headmaster, Taskforce, PAC-VAC, T-Lite, Glazer, Windshear, Max-Vac, y Trot-Mop son marcas registradas de Tornado Industries

Sitio web: www.tornadovac.com
Teléfono 1.800.VACUUMS
Fax: 817-551-0719
Dirección: 3101 Wichita Court
Fort Worth, TX 76140

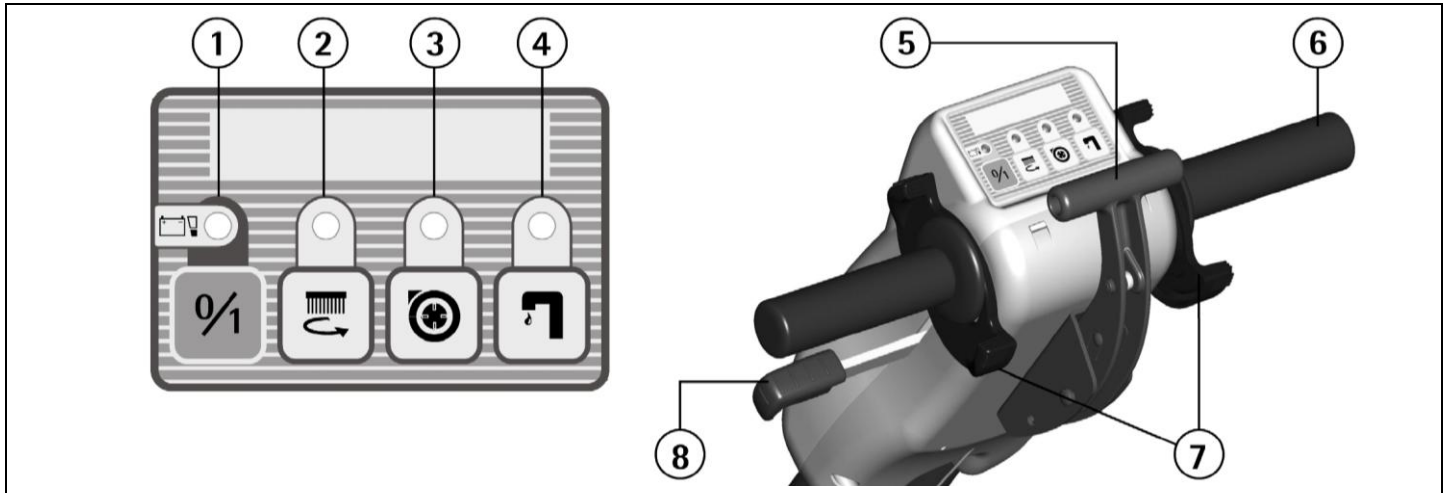


SOMMAIRE

LEGENDE TABLEAU DE BORD ET CONTROLES	28
LEGENDE MACHINE	28
CARACTERISTIQUES TECHNIQUES	29
AVANT-PROPOS	30
NORMES GENERALES DE SECURITE	30
SYMBOLOGIE	30
AVANT DE L'UTILISATION	31
Déplacement de la machine emballée	31
Déballage de la machine	31
Mouvement du guidon	31
Connexion batteries	31
Démontage des batteries AGM	31
Recharge des batteries AGM	31
Elimination des batteries	32
Réservoir de récupération	32
Réservoir de la solution détergente	32
NETTOYAGE DES SOLS	32
Actionnement de la machine	32
Réglage du guidon	32
Dispositif trop plein	32
ARRET DE LA MACHINE A LA FIN DU NETTOYAGE	33
ENTRETIEN JOURNALIER	33
Vidange et nettoyage du réservoir de récupération	33
Vidange et nettoyage du réservoir de la solution	33
Nettoyage du filtre d'aspiration	33
Positionnement vertical de la machine	33
Nettoyage de la brosse	34
Démontage/montage de la brosse	34
Nettoyage du suceur	34
ENTRETIEN ORDINAIRE	34
Remplacement de la brosse	34
Remplacement de la bavette arrière du suceur	34
Remplacement de la bavette avant du suceur	34
CONTROLE DE FONCTIONNEMENT	35
Le moteur d'aspiration ne fonctionne pas	35
Le moteur de la brosse ne fonctionne pas	35
L'eau sur la brosse n'est pas suffisante	35
La machine ne nettoie pas bien	35
Le suceur ne sèche pas parfaitement	35
Production excessive de mousse	35
Led (2), (3) et (4) qui devient rouge	35
ENTRETIEN PROGRAMME	36
BROSSES CONSEILLEES	36
GARANTIE LIMITEE DE LA PROTECTION A LONG TERME DE L'ACHETEUR	37

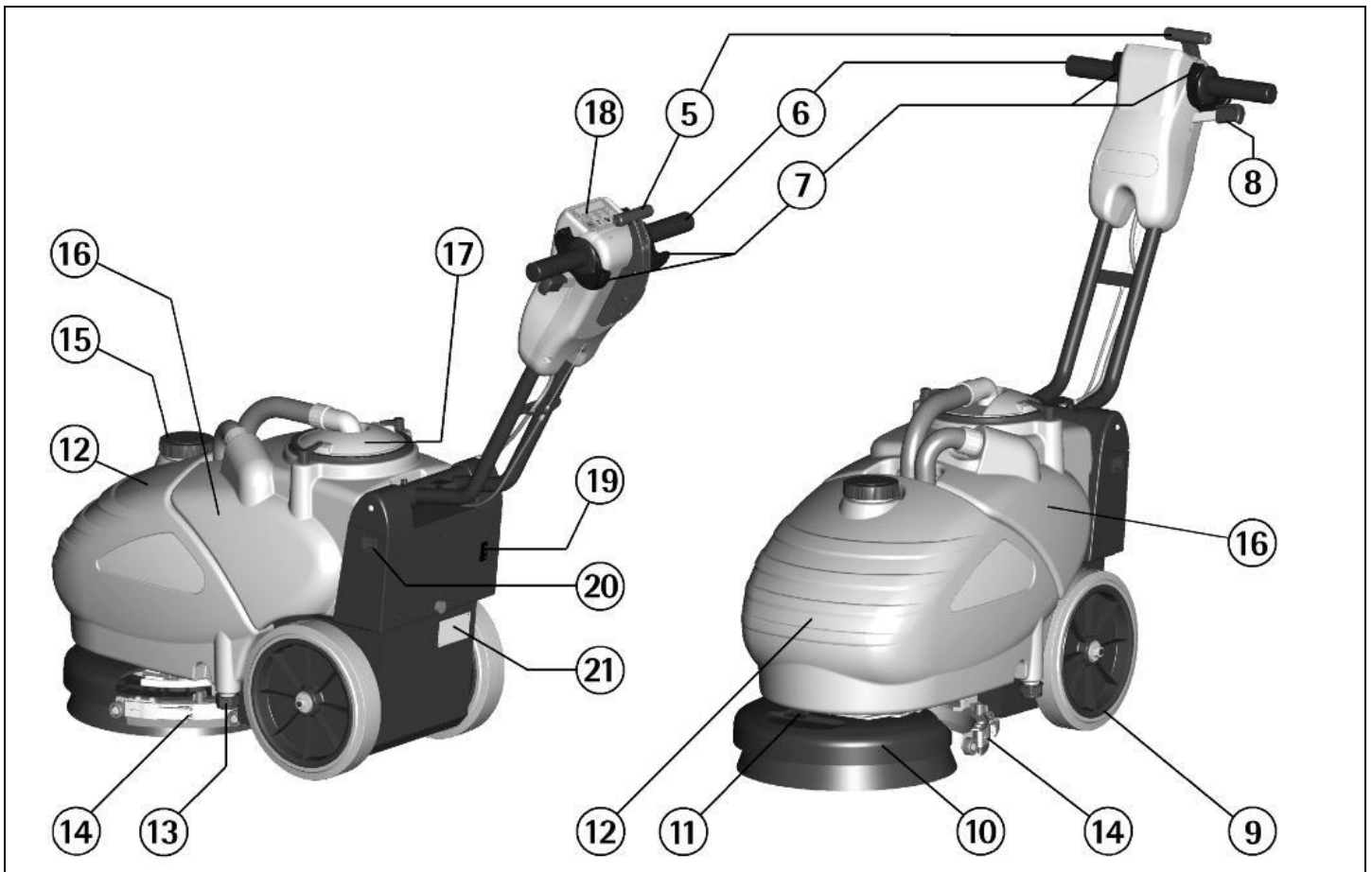
LEGENDE TABLEAU DE BORD ET CONTROLES

- | | |
|--|-------------------------------|
| 1. INTERRUPTEUR GENERAL ET TEMOIN DE SIGNALISATION CORRESPONDANT | 5. LEVIER DE RELEVAGE SUCEUR |
| 2. INTERRUPTEUR MOTEUR DE LA BROSSE ET TEMOIN CORRESPONDANT | 6. POIGNEES DE TIMON |
| 3. INTERRUPTEUR MOTEUR D'ASPIRATION ET TEMOIN CORRESPONDANT | 7. LEVIERS PRESENCE HOMME |
| 4. INTERRUPTEUR ELECTROVANNE ET TEMOIN CORRESPONDANT | 8. LEVIER DE DEBLOCAGE GUIDON |



LEGENDE MACHINE

- | | |
|---|--|
| 9. ROUES | 16. RESERVOIR DE RECUPERATION |
| 10. GROUPE D'EMBASE DE LA BROSSE | 17. COUVERCLE D'ASPIRATION |
| 11. REGLAGE DEBIT DE LA SOLUTION DETERGENTE | 18. TABLEAU DE BORD |
| 12. RESERVOIR DE LA SOLUTION DETERGENTE | 19. LED DE SIGNALISATION NIVEAU DE CHARGE BATTERIES (AGM) |
| 13. BOUCHON DE VIDANGE SOLUTION DETERGENTE | 20. FICHE D'ALIMENTATION ELECTRIQUE CHARGEUR DES BATTERIES |
| 14. ENSEMBLE DE SUCEUR | 21. PLAQUE DE MATRICULE |
| 15. BOUCHON REMPLISSAGE SOLUTION DETERGENTE | |



CARACTERISTIQUES TECHNIQUES		avec batteries AGM
Largeur de travail	mm/in	345/14
Largeur de suceur	mm/in	410/16
Tension des batteries	V	24
Capacité des batteries	Ah ₅	28
Puissance installée	W/A	430/18
Capacité de travail (max)	sqm/h/ sq.ft/hr	1240/11300
Diamètre de la brosse	mm/in	345/14
Vitesse de rotation de la brosse	rpm	170
Pression sur la brosse (max)	kg/lbs	25/55
Dépression d'aspiration	Mbar/Water lift	90/36"
Type d'avancement		semi autom.
Pente maximale	%	2
Réservoir d'eau propre	l/Gal	15/4
Réservoir de récupération	l	16
Longueur machine (min)	mm/in	745/29
Hauteur machine	mm/in	550/21.6
Largeur machine	mm/in	415/16.3
Poids de la machine (à vide, avec les batteries)	kg/lbs	65/143
Poids des batteries	kg/lbs	22/48
Temps de recharge max	h	10
Compartment des batteries avec support (L x L x H)	mm/in	215 x 270 x 190/ 8.5 x 10.6 x 7.5
Compartment des batteries sans support (L x L x H)	mm/in	---
Niveau de pression acoustique (selon les normes EN604_01)	dB (A)	66,8
Niveau de vibration aux bras (selon les normes ISO 5349-1)	m/s ² /ft/s ²	1,48/4.9
Classe		I
Degré de protection	IP	23
Chargeur des batteries: voltage	V ~	120/230
Chargeur des batteries: fréquence du réseau	Hz	50/60
Chargeur des batteries: classe		I

AVANT-PROPOS

Nous vous remercions pour avoir choisi notre machine. Cette machine est une autolaveuse qui vient utilisée pour le nettoyage industriel et civil pour tout type de revêtement, exclu le nettoyage des moquettes. Durant sa translation, l'action combinée de la brosse et de la solution détergent enlève la salissure qui vient récupérée avec le groupe d'aspiration arrière, en permettant un séchage parfait et immédiat du sol.

La machine doit être utilisée seulement dans ce but. Elle fournit les meilleures performances si elle est utilisée correctement et maintenue efficacement. Nous vous prions de bien vouloir lire cette brochure d'instruction pour la mise en route et l'entretien de votre machine. En cas de nécessité, notre service d'assistance est à disposition pour tout conseil ou intervention.

NORMES GENERALES DE SECURITE

Les normes indiquées doivent être suivies scrupuleusement pour éviter des dommages pour l'opérateur et la machine.

- Lire avec attention les étiquettes sur la machine. Ne pas les effacer et les remplacer immédiatement en cas d'altération.

- La machine doit être utilisée exclusivement par du personnel autorisé et informé sur l'utilisation.

- Pendant le fonctionnement de la machine, faire attention aux autres personnes et surtout aux enfants.

- En présence des enfants surveiller la machine de façon qu'ils ne jouent pas avec la même.

- La machine n'est pas destinée pour être utilisée par des personnes, enfants compris, lesquelles capacités physiques, sensorielles ou mentales soient réduites, ou bien avec un manque d'expérience ou de connaissance, à moins qu'elles auraient pu bénéficier, par l'intermédiaire d'une personne responsable de leur sûreté, d'une surveillance ou des instructions concernant l'utilisation.

- Ne pas toucher ou sauter le câble d'alimentation avec la brosse en travail.

- La prise du réseau d'alimentation doit être équipée de la messe en terre réglementaire.

- Ne pas endommager le câble d'alimentation avec des plagues, bosselures ou sollicitations.

- Vérifier l'intégrité du câble d'alimentation. En cas d'endommagement, stopper immédiatement la machine et débrancher la fiche de la prise d'alimentation. Il faut le remplacer avec le câble spécial disponible chez le service d'assistance technique autorisé.

- Ne pas mélanger des détergents différents pour éviter des dégagements gazeux.

- Température de stockage: entre 32°F et 131°F (0°C et +55°C).

- Bonne température d'utilisation: entre 32°F et 104°F (0°C et 40°C).

- L'humidité ne doit pas excéder 95%.

- Ne pas utiliser la machine en atmosphère explosive.

- Ne pas utiliser la machine comme moyen de transport.

- Ne pas monter ou descendre l'escalier.

- Ne pas utiliser de solution acide qui peut détériorer la machine et/ou les personnes.

- Eviter de laisser tourner la brosse lorsque la machine est à l'arrêt pour ne pas abîmer le sol.

- Ne pas utiliser la machine sur des surfaces humides de liquides ou poussières inflammables (par exemple hydrocarbures, cendres ou suie).

- En cas d'incendie utiliser un extincteur à poudre.

- Ne pas utiliser d'eau.

- Ne pas monter de rayonnage ou d'échafaudage lorsqu'il y a des risques de chute d'objets.

- Ne pas utiliser la machine sur des surfaces ayant une pente supérieure à celle indiquée sur la plaque signalétique.

- La machine est utilisée pour des opérations de nettoyage et d'aspiration. Les autres opérations devront être effectuées dans des zones interdites au personnel non autorisé et l'opérateur doit mettre chaussures appropriées.

- Signaler de façon visible les endroits où le sol est humide.

- En cas d'anomalies dans le fonctionnement de la machine, s'assurer qu'elles ne dépendent pas d'une manquée d'entretien ordinaire. Dans le cas contraire, appeler le service après-vente autorisé.

- En cas de remplacement de pièces, commander les pièces ORIGINALES au distributeur et/ou revendeur autorisé.

- Utiliser seulement des brosses ORIGINALES indiquées dans le paragraphe "BROSSES CONSEILLÉES".

- Pour réaliser les intervention de nettoyage et/ou de manutention, stopper l'alimentation électrique de la machine.

- Ne pas enlever les protections qui réclament des outils pour les déplacer.

- Ne pas laver la machine à grand jets ou avec une haute pression ou avec des produits corrosifs.

- Toutes les 200 heures de travail, faire procéder à un contrôle par un centre d'assistance autorisé.

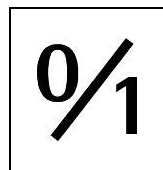
- Avant d'utiliser la machine, vérifier que tous panneaux et carters soient positionnés suivant les indications de ce manuel.

- Rétablir toutes les connexions électriques après n'importe quelle intervention d'entretien.

- Pourvoir à l'élimination des pièces consommables en suivant scrupuleusement les normes des lois en vigueur.

- Quand votre machine est à l'arrêt, prévoir d'éliminer dans les conteneurs spéciaux l'huile, les batteries et les composants électroniques en prenant en compte que la machine est fabriquée, où possible, avec des matériaux recyclables.

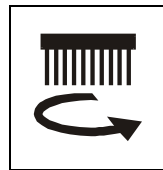
SYMBOLOGIE



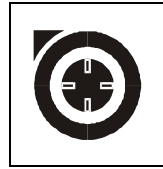
Symbole 0/1 pour indiquer l'interrupteur général et le témoin correspondant.



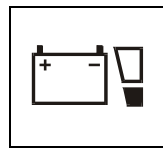
Symbole du robinet. On l'utilise pour indiquer l'interrupteur et le témoin de l'électrovanne.



Symbole de la brosse. On l'utilise pour indiquer l'interrupteur et le témoin du moteur de la brosse.



Symbole du moteur d'aspiration. On l'utilise pour indiquer l'interrupteur et le témoin du moteur d'aspiration.



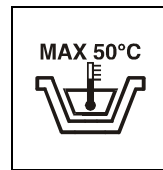
Symbole du niveau de charge des batteries.



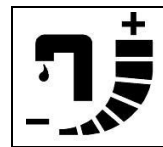
Indication du bouchon de vidange du réservoir de la solution.



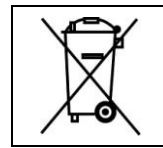
Ce symbole indique de vider les réservoirs avant de tourner la machine.



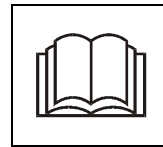
Indication de la température maximale du détergent de la solution.



Indication du réglage de débit de la solution détergente.



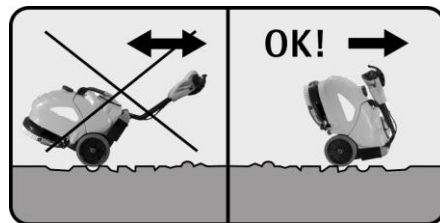
Symbole du bidon barré. Indication que à l'arrêt de la machine, elle doit être écoulée conformément aux législations en vigueur.



Symbole de lecture du manuel d'utilisation entretien. Indique à l'opérateur qu'il doit lire le manuel avant d'utiliser la machine.



Symbole d'avertissement. Lire attentivement les paragraphes précédés de ce symbole, pour la sécurité de l'opérateur et de la machine.



Symbole pour indiquer la modalité correcte pour déplacer la machine sur des surfaces accidentées.

AVANT DE L'UTILISATION

DEPLACEMENT DE LA MACHINE EMBALLEE

La machine est fournie avec un emballage. Le poids total est de 75kg/165lbs (max).

Les dimensions de l'emballage sont:

sans palette:

Base: 80cmx43cm/31.5"x17" **Hauteur:** 65cm/26"

avec palette:

Base: 80cmx43cm/31.5"x17" **Hauteur:** 75cm/29.5"

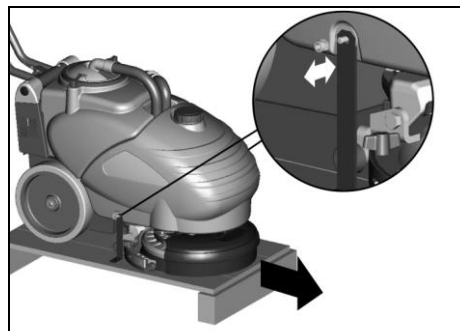


ATTENTION:

Ne pas mettre plus de deux emballages l'un sur l'autre.

DEBALLAGE DE LA MACHINE

1. Enlever l'emballage extérieur.
2. Dévisser les deux écrous qui fixent les deux étriers à la machine.
3. Dévisser les vis qui fixent les étriers à la palette et enlever les étriers.
4. Revisser dans la même position les deux écrous sur la machine, parce qu'ils sont nécessaires pour bloquer le réservoir.
5. Porter le guidon dans la position de travail (voir dans "MOUVEMENT DU GUIDON") pour faire descendre la machine de la palette en la poussant en avant sur les roues dans la position en peu inclinée en arrière pour éviter tout chocs violents aux pièces mécaniques.
6. Conserver la palette et les étriers pour une éventuelle nécessité de transport.



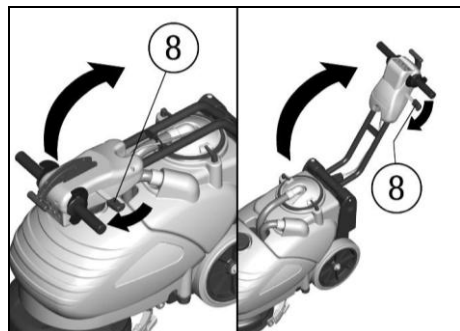
MOUVEMENT DU GUIDON

Le guidon dans l'emballage se trouve en position fermé sur la machine.

Pour tourner le guidon dans une des positions différentes de travail et pouvoir ensuite avancer avec la machine:

1. Agir sur le levier de déblocage (8) présent près des poignées de guidon.
2. Tourner le guidon dans la position de travail en maintenant pressé le levier de déblocage (8).
3. Relâcher le levier de déblocage (8) pour obtenir le blocage du guidon.

Agir pareillement pour un autre réglage de l'hauteur du guidon afin de trouver la position de travail la plus confortable.



CONNEXION BATTERIES

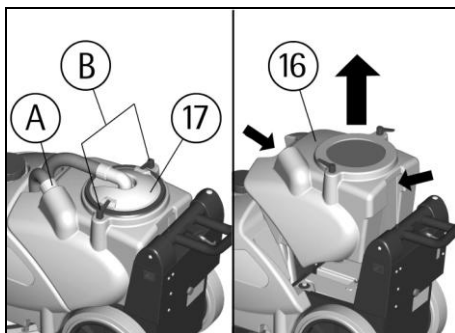
La machine réclame normalement l'utilisation de deux batteries à 12 Volt connectées en série, logées dans le compartiment prévu sous le réservoir de récupération.

S'il est nécessaire de remplacer les batteries, s'adresser au service d'assistance technique autorisé.

Le remplacement doit être effectué exclusivement avec des batteries lesquelles performances soient identiques avec les batteries déjà installées, donc: No. 2 batteries AGM 12V 28Ah.

Pour accéder au compartiment des batteries, il est nécessaire de:

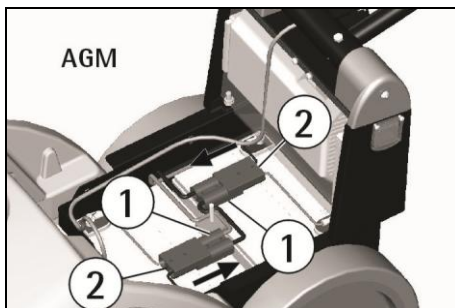
1. Détacher le tuyau du suceur de son logement (A).
2. Enlever le couvercle du filtre d'aspiration (17) depuis avoir tourné les leviers (B) qui le bloquent.
3. Soulever et enlever le réservoir de récupération (16) en empoignant par les poignées appropriées obtenues une à l'arrière et l'autre à l'avant du réservoir.



Connexion batteries AGM:

Connecter les deux connecteurs des batteries (1) aux connecteurs de la machine (2).

Dans le cas d'un arrêt prolongé de la machine, détacher les connecteurs des batteries (1).



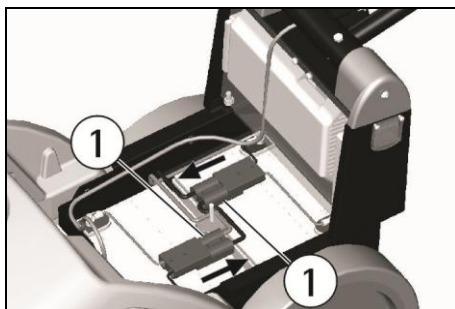
ATTENTION:

Toutes les opérations d'installation et de maintenance doivent être réalisées par du personnel qualifié, en utilisant dispositifs de protection adéquats.

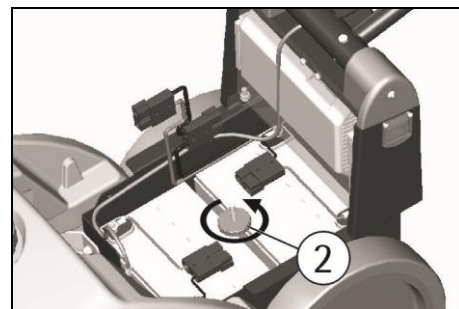
DEMONTAGE DES BATTERIES AGM

Pour démonter les batteries de la machine, il est nécessaire de procéder comme suivant:

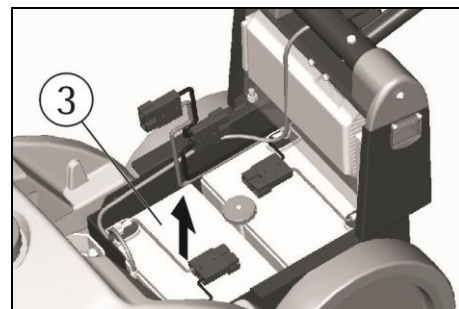
1. Détacher les connecteurs (1) pour débrancher les batteries de l'installation électrique de la machine.



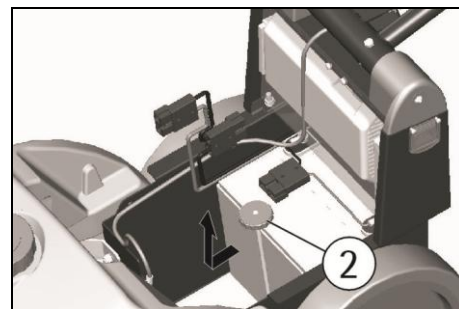
2. Dévisser l'arrêt des batteries (2).



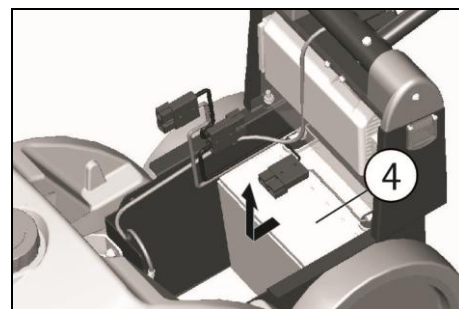
3. Enlever la première batterie (3).



4. Décrocher l'arrêt des batteries (2) en le faisant glisser le long de la boutonnière jusqu'à l'extraire.



5. Enlever l'autre batterie (4) en la faisant glisser en avant dans le compartiment des batteries pour ensuite la extraire.



Pour remonter les batteries, répéter au contraire la procédure susdite.

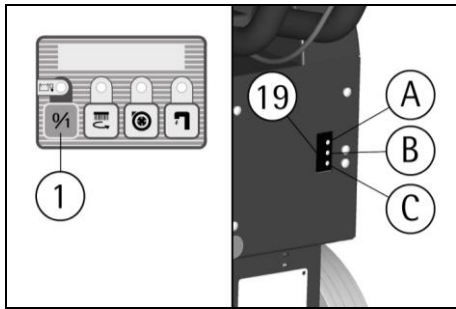
RECHARGE DES BATTERIES AGM

Avec l'interrupteur général (1) allumé, dans la partie arrière de la machine vient visualisé le niveau de charge des batteries (19).

A: led vert allumé = batteries chargées.

B: led orange allumé = batteries presque déchargées.

C: led rouge allumé = décharge complète des batteries avec coupure automatique de toutes les fonctions de la machine (pourvoir à la recharge immédiate).



Pendant les opérations de recharge s'active un dispositif qu'interdit le fonctionnement de la machine. Amener la machine sur une surface plate près d'une prise du réseau monophasé.

Actionner l'interrupteur général (1) pour le stopper. Connecter le câble d'alimentation, fourni avec la machine, soit à la machine (20) soit à la prise du réseau comme indiquée dans la figure.

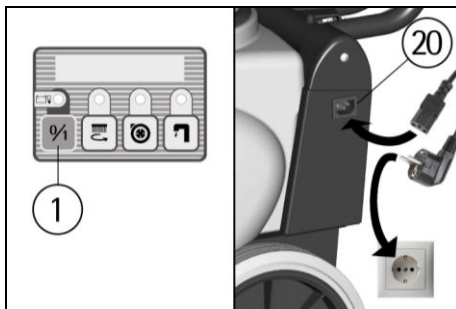
A la fin de la phase de recharge, enlever le câble d'alimentation.

La phase de la recharge est complète seulement quand sur le chargeur s'allume le led vert (A).



ATTENTION:

Pour ne pas provoquer des dommages permanents aux batteries, ne jamais laisser les batteries complètement déchargées, en pourvoyant immédiatement à la recharge. En outre, dans le cas d'un arrêt pour plus de deux semaines de la machine, détacher les connecteurs des batteries (voir dans "CONNEXION BATTERIES").



ATTENTION:

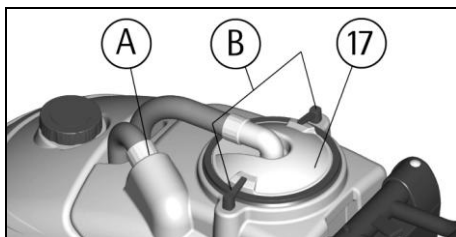
Ne jamais charger les batteries avec un chargeur de batteries non adapté. Suivre scrupuleusement les instructions fournies du fabricant des batteries et du chargeur des batteries.

ELIMINATION DES BATTERIES

Il est obligatoire de livrer les batteries épuisées, qui sont classifiées comme déchet dangereux, à une agence autorisée aux termes de la loi pour l'élimination.

RÉSERVOIR DE RÉCUPÉRATION

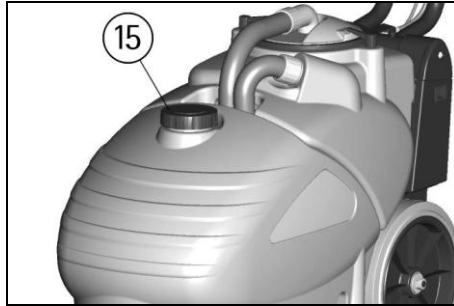
Contrôler que le couvercle du filtre d'aspiration (17) soit correctement bloqué, après avoir tourné les leviers (B). Vérifier en outre que le tuyau du suceur soit correctement connecté dans son logement (A).



RESERVOIR DE LA SOLUTION DETERGENTE

La capacité du réservoir de la solution est indiquée dans les caractéristiques techniques.

Ouvrir le bouchon à vis (15) que se trouve supérieurement et remplir le réservoir de la solution avec de l'eau propre, à une température inférieure à 50°C (122°F). Ajouter le détergent liquide à la concentration et avec les modalités prévues par le fabricant. Pour éviter la formation d'une quantité excessive de mousse, qui nuit au moteur d'aspiration, utiliser un pourcentage minimum de détergent. Visser le bouchon du réservoir de la solution.



ATTENTION:

Utiliser toujours du détergent à mousse modérée. Pour éviter avec sécurité la production de la mousse, avant de commencer le travail, introduire dans le réservoir de récupération une quantité minimale de liquide antimousse.

Ne pas utiliser des acides à l'état pur.

NETTOYAGE DES SOLS

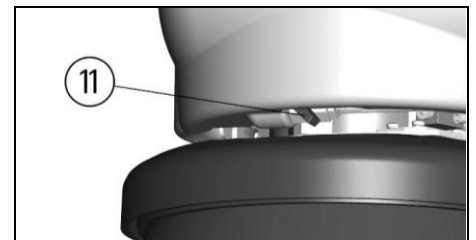
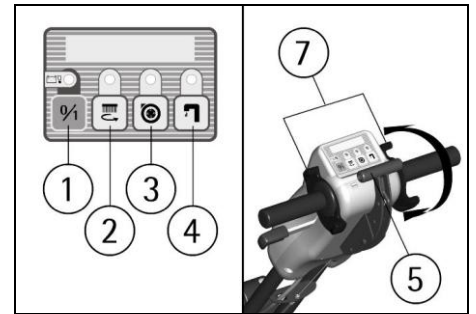
ACTIONNEMENT DE LA MACHINE

Les boutons poussoir sur le tableau de bord sont dotés d'un témoin vert supérieur pour signaler l'activation du command.

1. Allumer la machine en appuyant sur l'interrupteur général (1).
 2. Contrôler l'état de charge des batteries (voir dans "RECHARGE DES BATTERIES").
 3. Baisser le suceur en tournant vers le bas le levier (5) situé au centre du guidon.
 4. Appuyer sur l'interrupteur moteur de la brosse (2).
 5. Appuyer sur l'interrupteur moteur d'aspiration (3).
 6. Appuyer sur l'interrupteur de l'électrovane (4).
- La machine est équipée avec l'électrovane, par contre le débit de la solution détergente sera actionné automatiquement en actionnant les leviers présence homme (7). En relâchant les leviers présence homme le débit d'eau s'arrêtera automatiquement.
7. En actionnant les leviers présence homme (7) la brosse commencera à tourner. Le débit de la solution détergente commencera à écouler et le suceur commencera l'aspiration.

8. Pendant les premiers mètres (feet) contrôler que le débit de la solution détergente soit adéquat. Le régulateur de débit de la solution détergente est déjà réglé dans l'usine pour satisfaire le nettoyage de la majeure partie des sols. S'il est nécessaire de modifier la quantité de la solution détergente sur le sol, agir sur le levier de réglage du débit (11).

9. En effectuant des déplacements même courts en marche arrière, s'assurer que le suceur soit soulevé.



REGLAGE DU GUIDON

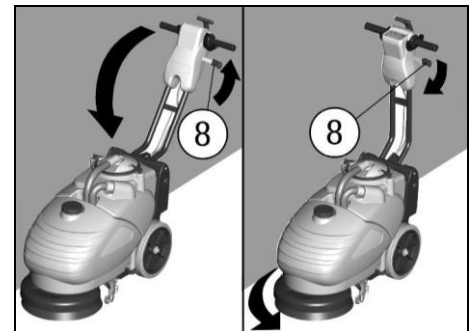
En proximité des obstacles ou des parois, il est possible de faciliter la manœuvre de la machine en réglant le guidon avec une position du timon plus verticale respect à la machine.

Pour tourner le guidon:

1. Agir sur le levier de déblocage (8) présent près des poignées de guidon.
2. Tourner le guidon dans la position nouvelle de travail en maintenant pressé le levier de déblocage (8).
3. Relâcher le levier de déblocage (8) pour obtenir le blocage du guidon.

Depuis avoir dépassé l'obstacle et complétée la manœuvre répéter l'opération pour retourner à la position de travail précédente.

Cette opération est possible aussi avec la machine en mouvement en maintenant appuyé simultanément le levier de présence homme (7).



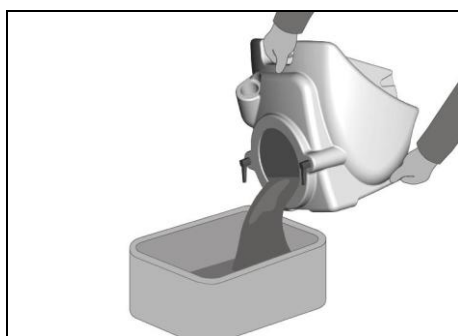
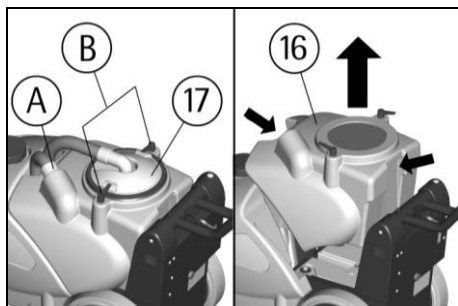
DISPOSITIF TROP PLEIN

Pour éviter des dommages sérieux au moteur d'aspiration, la machine est équipée d'un flotteur qui intervient quand le réservoir de récupération est plein en provoquant la fermeture du tuyau d'aspiration et par conséquent de l'aspiration. Dans ce cas, il est nécessaire de procéder à la vidange du réservoir de récupération.

1. Stopper la machine en appuyant sur l'interrupteur général.
2. Enlever le couvercle du filtre d'aspiration (17) depuis avoir tourné les leviers (B) qui le bloquent.
3. Enlever le tuyau du suceur (A) de son logement.
4. Soulever et enlever le réservoir de récupération (16) en empoignant par les poignées appropriées obtenues une à l'arrière et l'autre à l'avant du réservoir (comme indiqué dans la figure à suivre). Vider le réservoir de récupération dans les bacs prévus conformément aux lois en vigueur pour ce qui concerne l'écoulement des liquides.
5. Remonter le tout.

⚠ ATTENTION:

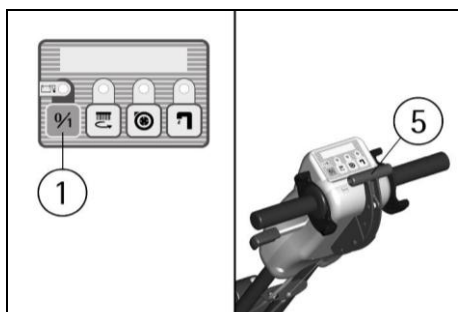
Cette opération doit être effectuée en utilisant des gants pour se protéger du contact avec des solutions dangereuses.



ARRET DE LA MACHINE A LA FIN DU NETTOYAGE

Avant d'exécuter n'importe quel type de maintenance:

1. Appuyer sur l'interrupteur général (1) pour le stopper.
2. Soulever le suceur en tournant vers le haut le levier (5) situé au centre du guidon.
3. Amener la machine à l'endroit prévu pour la vidange de l'eau.



⚠ ATTENTION:

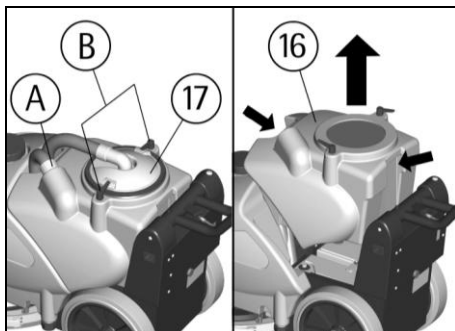
La machine n'est pas équipée d'un frein de stationnement; éviter de la garer sur des plans inclinés.

ENTRETIEN JOURNALIER

VIDANGE ET NETTOYAGE DU RESERVOIR DE RECUPERATION

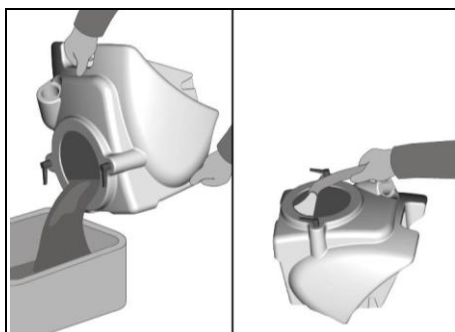
Pour vider et nettoyer le réservoir de récupération.

1. Appuyer sur l'interrupteur général (1) pour stopper la machine.
2. Enlever le couvercle du filtre d'aspiration (17) depuis avoir tourné les leviers (B) qui le bloquent.
3. Enlever le tuyau du suceur (A) de son logement.
4. Soulever et enlever le réservoir de récupération (16) en le empoignant par les poignées appropriées obtenues une à l'arrière et l'autre à l'avant du réservoir.



Vider le réservoir de récupération dans les bacs prévus conformément aux lois en vigueur pour ce qui concerne l'écoulement des liquides.

5. Pourvoir au rinçage et au nettoyage du réservoir.
6. Remonter le tout.



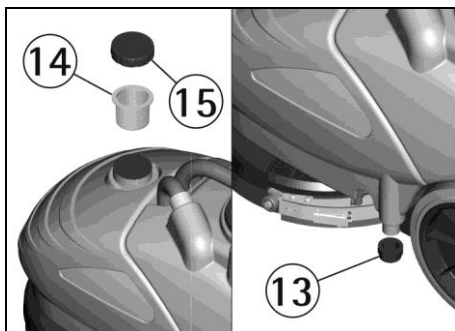
⚠ ATTENTION:

Cette opération doit être effectuée en utilisant des gants pour se protéger du contact avec des solutions dangereuses.

VIDANGE ET NETTOYAGE DU RESERVOIR DE LA SOLUTION

Pour vider la solution détergente restée dans le réservoir de la solution:

1. Amener la machine à l'endroit prévu pour la vidange de l'eau.
2. Appuyer sur l'interrupteur général (1) pour stopper la machine.
3. Dévisser le bouchon de remplissage (15) du réservoir de la solution.
4. Dévisser le bouchon de vidange (13) situé inférieurement au côté gauche de la machine.
5. Si nécessaire nettoyer avec un jet d'eau le filtre supérieure (14) de la solution détergente.



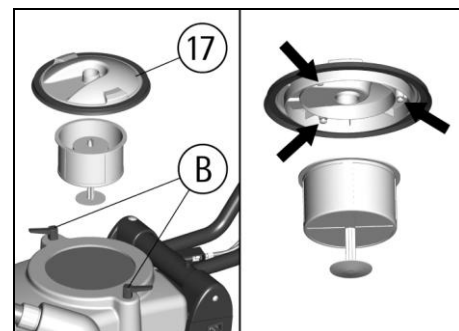
⚠ ATTENTION:

Cette opération doit être effectuée en utilisant des gants pour se protéger du contact avec des solutions dangereuses.

NETTOYAGE DU FILTRE D'ASPIRATION

1. Enlever le couvercle d'aspiration (17) depuis avoir tourné les leviers (B) qui le bloquent.

2. Enlever le filtre avec le flotteur en faisant fléchir le bord du filtre pour le dégager des vis présentes sur le couvercle.
3. Avec un jet d'eau nettoyer tout le groupe et particulièrement les parois et le fond du filtre.
4. Faire toutes les opérations de lavage avec soin.
5. Remonter le tout.



POSITIONNEMENT VERTICAL DE LA MACHINE

La machine doit prendre un positionnement vertical renversée à l'arrière depuis avoir replié le guidon de la machine.

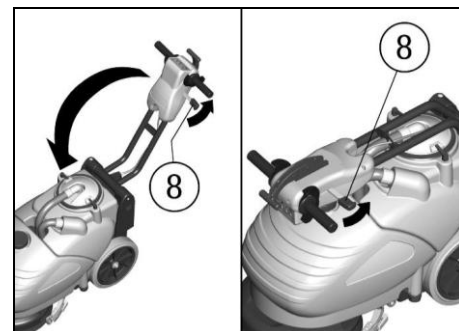
Cette position permet un encombrement réduit pour le parking de la machine et facilite les opérations de maintenance.

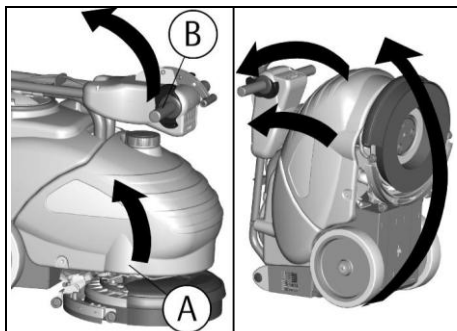
Pour tourner la machine il est nécessaire de:

1. Appuyer sur l'interrupteur général (1) pour le stopper.
2. Contrôler que les deux réservoirs soient vides et dans le cas pourvoir à leurs vidange (voir dans "VIDANGE ET NETTOYAGE DU RESERVOIR DE RECUPERATION" et "VIDANGE ET NETTOYAGE DU RESERVOIR DE LA SOLUTION").
3. Agir sur le levier de déblocage (8) présent près des poignées du guidon.
4. Tourner le guidon en le repliant vers les réservoirs en maintenant pressé le levier de déblocage (8).
5. Relâcher le levier de déblocage (8) pour obtenir le blocage du guidon.
6. Se positionner sur le côté droit de la machine.
7. En empoignant la machine avec les deux mains dans le point (A) du bord du réservoir et (B) des poignées du guidon comme indiquée dans la figure.
8. Soulever la partie avant de la machine en la faisant tourner sur les roués arrières et la portant dans la position verticale comme dans la figure.

⚠ ATTENTION:

La position verticale est indiquée quand on prévoit de ne pas utiliser la machine pour une durée de plus de 2/3 jours, pour éviter que le poids de la machine puisse avec le temps endommager la brosse en compromettant ensuite le correct fonctionnement de la machine.



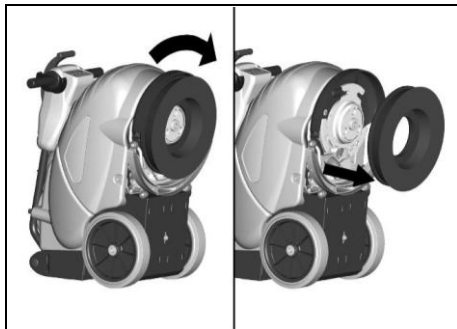


NETTOYAGE DE LA BROSSSE

Démonter la brosse et la nettoyer avec un jet d'eau (pour le démontage de la brosse voir ensuite "DEMONTAGE/MONTAGE DE LA BROSSSE").

DEMONTAGE/MONTAGE DE LA BROSSSE

1. Renverser la machine à l'arrière (voir dans "POSITIONNEMENT VERTICAL DE LA MACHINE") en faisant attention de se souvenir de stopper l'interrupteur général et de vider les réservoirs.
2. Avec la machine dans cette position tourner la brosse dans le sens des aiguilles d'une montre, comme indiqué dans la figure, afin qu'elle sorte de la siège du plateau porte-brosse.

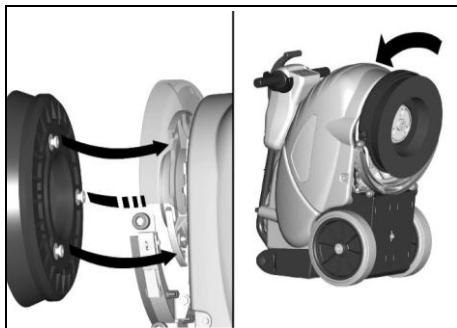


3. Pour remettre la brosse, enclencher les boutons présents dans leurs sièges du plateau porte-brosse et tourner dans le sens inverse aux aiguilles d'une montre pour obtenir le blocage.



ATTENTION:

Les opérations de la manipulation de la brosse doivent être effectuées en utilisant des gants appropriés pour se protéger tant mécaniquement du contact avec les brins que du risque chimique pour le contact avec des solutions dangereuses.

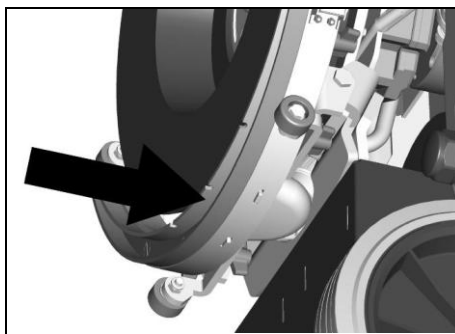


NETTOYAGE DU SUCEUR

Maintenir le suceur propre est garantie d'un séchage meilleur.

1. Renverser la machine à l'arrière (voir dans "POSITIONNEMENT VERTICAL DE LA MACHINE") en faisant attention de se souvenir de stopper l'interrupteur général et de vider les réservoirs.
2. Avec la machine dans cette position nettoyer soigneusement l'intérieur de l'embrayage sur le suceur

en éliminant éventuels déchets de salissure et nettoyer soigneusement les bavettes du suceur.



ENTRETIEN ORDINAIRE

S'assurer que le câble d'alimentation soit débranché: déconnecter les connecteurs des batteries avant d'intervenir.

REPLACEMENT DE LA BROSSSE

La brosse va remplacée quand le dispositif de contrôle usure brosse intervient. On peut en outre essayer types différents des brosses, en fonction du type du sol qu'on doit laver et les conditions de salissure qu'on trouve (voir dans "BROSSES CONSEILLEES").

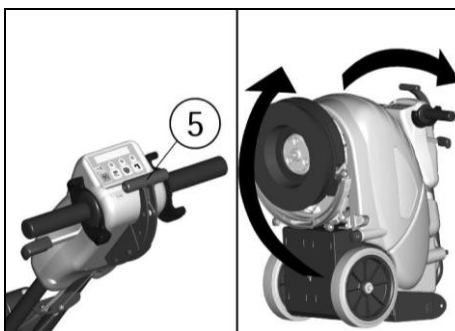
Démonter la brosse usée et la remplacée avec une nouvelle (voir dans "DEMONTAGE/MONTAGE DE LA BROSSSE").

REPLACEMENT DE LA BAVETTE ARRIERE DU SUCEUR

Contrôler l'état d'usure de la bavette du suceur et éventuellement la tourner ou la remplacer.

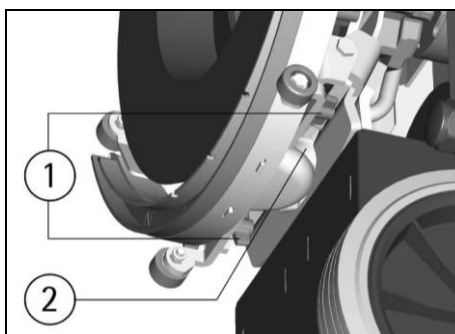
Pour le remplacement il est nécessaire de:

1. Baisser le suceur en tournant vers le bas le levier (5) situé au centre du guidon.
2. Renverser la machine à l'arrière (voir dans "POSITIONNEMENT VERTICAL DE LA MACHINE") en faisant attention de se souvenir de stopper l'interrupteur général et de vider les réservoirs.



3. Avec la machine dans cette position agir sur les écrous papillon (1) en les dévissant complètement pour libérer le suceur.

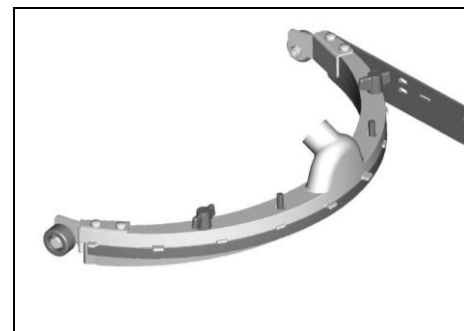
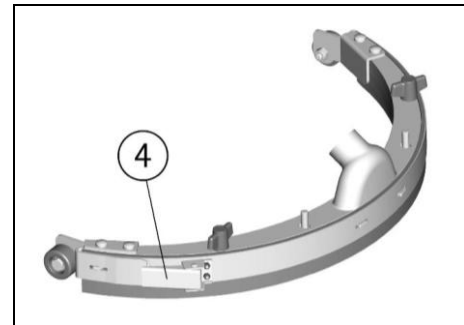
4. Enlever le manchon (2) du tuyau suceur et enlever le suceur.



5. Décrocher la fermeture (4) de la lame presse-bavette et enlever la bavette pour la tourner ou la remplacer.

6. Contrôler que le manchon et le tuyau du suceur ne soient pas obstrués et éventuellement enlever la salissure.

Pour remettre le suceur, répéter au contraire les opérations susdites.

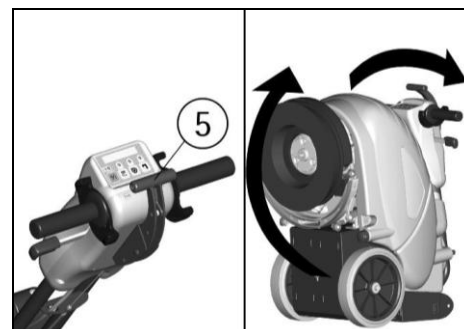


REPLACEMENT DE LA BAVETTE AVANT DU SUCEUR

Contrôler l'état d'usure de la bavette avant du suceur et éventuellement la remplacer.

Pour le remplacement il est nécessaire de:

1. Baisser le suceur en tournant vers le bas le levier (5) situé au centre du guidon.
2. Renverser la machine à l'arrière (voir dans "POSITIONNEMENT VERTICAL DE LA MACHINE") en faisant attention de se souvenir de stopper l'interrupteur général et de vider les réservoirs.



3. Avec la machine dans cette position procéder à démonter le suceur et ensuite la bavette arrière du suceur (voir dans "REPLACEMENT DE LA BAVETTE ARRIERE DU SUCEUR").

4. Enlever les écrous papillon (6) situés sur la partie supérieure du corps du suceur en séparant ensuite les deux parties métalliques qui le composent pour enlever la bavette avant.

5. Nettoyer avec un jet d'eau tous les composants. Pour remettre le suceur, répéter au contraire les opérations susdites.

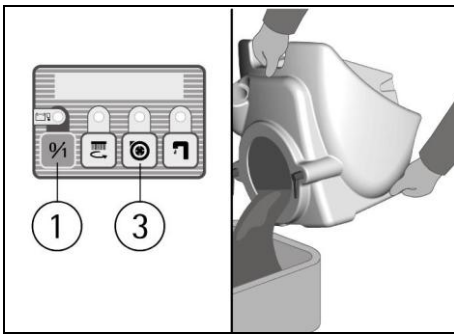


CONTROLE DE FONCTIONNEMENT

LE MOTEUR D'ASPIRATION NE FONCTIONNE PAS

1. Contrôler l'état de charge des batteries, qu'on peut voir en actionnant d'abord l'interrupteur général (1) (voir dans "RECHARGE DES BATTERIES").
2. Vérifier que l'interrupteur (3) du moteur d'aspiration soit allumé en vérifiant que le témoin correspondant soit allumé.
3. Contrôler le niveau dans le réservoir de récupération (voir dans "DISPOSITIF TROP PLEIN") et si nécessaire, vider le réservoir.

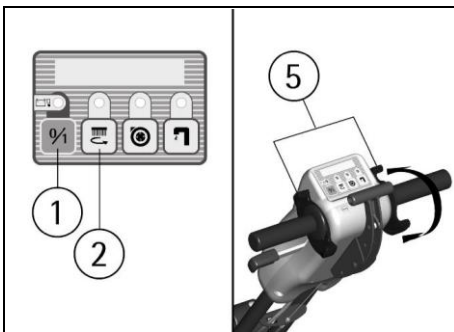
Si le problème persiste, contacter le service d'assistance technique autorisé.



LE MOTEUR DE LA BROSSSE NE FONCTIONNE PAS

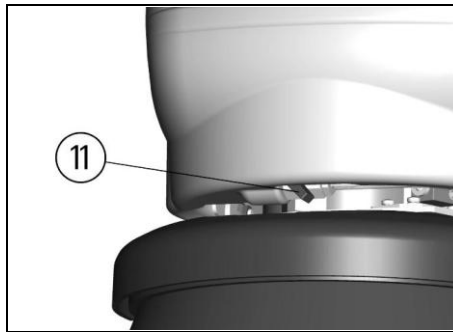
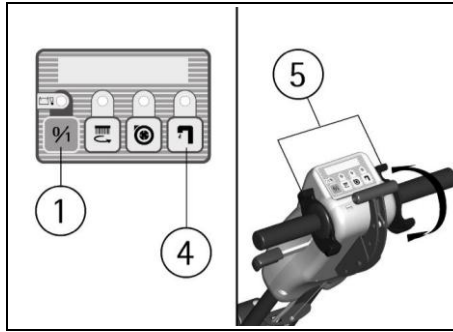
1. Contrôler l'état de charge des batteries, qu'on peut voir en actionnant d'abord l'interrupteur général (1) (voir dans "RECHARGE DES BATTERIES").
2. Vérifier que l'interrupteur (2) du moteur de la brosse soit allumé en vérifiant que le témoin correspondant soit allumé.
3. Actionner les leviers présence homme (5).
4. Contrôler que le dispositif de sûreté soulèvement brosse ne soit pas intervenue (voir dans "DISPOSITIF DE SURETE SOULEVEMENT BROSSSE").
5. Contrôler que le contrôle d'usure de la brosse ne soit pas intervenue (voir dans "DISPOSITIF DE CONTROLE USURE BROSSSE").

Si le problème persiste, contacter le service d'assistance technique autorisé.



L'EAU SUR LA BROSSSE N'EST PAS SUFFISANTE

1. Vérifier d'avoir activé l'interrupteur de l'électrovanne (4) en vérifiant que le témoin correspondant soit allumé.
 2. Contrôler le niveau de l'eau dans le réservoir de la solution (voir dans "RESERVOIR DE LA SOLUTION DETERGENTE").
 3. Vérifier que le réglage du débit de la solution détergente (11) placé antérieurement sous le réservoir de la solution soit suffisamment ouvert.
 4. Actionner les leviers présence homme (5).
- Si le problème persiste, contacter le service d'assistance technique autorisé.

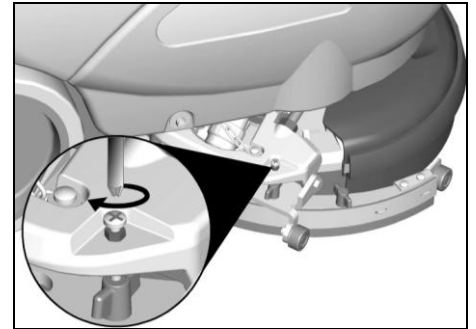


LA MACHINE NE NETTOIE PAS BIEN

1. Les brosses n'ont pas les brins de la dimension appropriée: utiliser seulement des brosses originales. Pour des suggestions, contacter le service d'assistance technique autorisé.
 2. La solution détergente est insuffisante: ouvrir en plus le réglage de débit de la solution détergente (11).
 3. Contrôler que le détergent soit dans le pourcentage conseillé.
- Consulter le service d'assistance technique autorisé pour tout conseil.

LE SUCEUR NE SECHE PAS PARFAITEMENT

1. Contrôler que les bavettes du suceur soient propres.
2. Contrôler que le manchon du tuyau d'aspiration soit enclenché correctement dans le propre logement sur le réservoir de récupération.
3. Intervenir sur le filtre d'aspiration en le nettoyant.
4. Remplacer les bavettes si usées.
5. Contrôler que l'interrupteur du moteur d'aspiration soit allumé.
6. Contrôler le niveau dans le réservoir de récupération (voir dans "DISPOSITIF TROP PLEIN") et si nécessaire, vider le réservoir.
7. Si le sol reste mouillé dans la partie centrale du séchage, il est nécessaire de charger le plus dans la partie arrière du suceur, en vissant de quelques tours la vis, comme indiquée dans la figure.



PRODUCTION EXCESSIVE DE MOUSSE

Contrôler qu'on a utilisé du détergent à mousse modérée. Eventuellement, ajouter une quantité minimale de liquide antimousse dans le réservoir de récupération.

Il est bon de rappeler qu'en cas d'un sol peu sale, une quantité plus importante de mousse se formera. Dans ce cas réduire le pourcentage de la solution détergente.

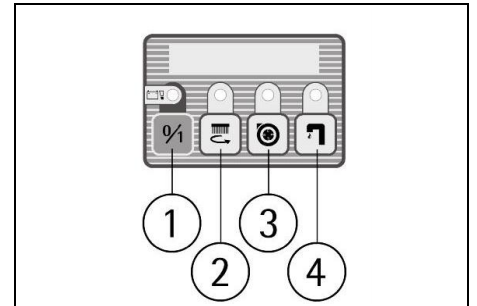
LED (2), (3) ET (4) QUI DEVIENT ROUGE

Si la machine est dans le sens de la marche, avec l'interrupteur général (1) allumé et un des trois led (2), (3) ou (4) change couleur, de vert à rouge, signifie qu'il y a une protection ampérométrique, par exemple:

- LED (2) ROUGE: le moteur de la brosse a un effort trop grand.
- LED (3) ROUGE: le moteur d'aspiration aspire de l'eau et donc se force trop.
- LED (4) ROUGE: la bobine de l'électrovanne peut être court-circuitée.

Pour rétablir, arrêter l'interrupteur général (1), attendre quelque minute et depuis l'appuyer.

Si le problème persiste, contacter le service d'assistance technique autorisé.



ENTRETIEN PROGRAMME

INTERVENTION	JOURNALIERE	ORDINAIRE/MENSUELLEMENT
NETTOYAGE DU RESERVOIR DE RECUPERATION	•	
NETTOYAGE DU FILTRE D'ASPIRATION	•	
NETTOYAGE DE LA BROSSE	•	
DEMONTAGE DE LA BROSSE	•	
NETTOYAGE DU SUCEUR	•	
REPLACEMENT DE LA BAVETTE AVANT DU SUCEUR		• si nécessaire
REPLACEMENT DE LA BAVETTE ARRIERE DU SUCEUR		• si nécessaire
NETTOYAGE DU TUYAU SUCEUR		•
NETTOYAGE DU RESERVOIR DE LA SOLUTION		•

BROSSES CONSEILLEES

Les brosses doivent être choisies en fonction du type de sol et de la salissure d'enlever.
Le matériel employé et le diamètre des brins sont les éléments qui font la différence des brosses.

MATERIEL	CARACTERISTIQUES
PPL (Polypropylène)	Bonne résistance à l'usure. Maintient les caractéristiques avec de l'eau chaude jusqu'à 60°C. Elle n'est pas hygroscopique.
DIMENSION DES BRINS	Les brins avec un diamètre plus important sont plus rigides, par conséquent on doit les utiliser sur un sol lisse ou avec de petits joints. Sur le sol irrégulier ou avec des reliefs ou avec des gros joints il est conseillé d'utiliser des brosses plus souples parce qu'elles pénètrent plus facilement en profondeur. Se rappeler que quand les brins de la brosse sont usagés et deviennent trop courts, ils deviennent rigides et ils ne peuvent plus pénétrer et nettoyer en profondeur, même si les brins sont trop gros, la brosse a tendance de sautiller.
PLATEAU D'ENTRAINEMENT	Le plateau d'entraînement est conseillé pour le nettoyage des surfaces lisses. Il est équipé avec une série des pointes d'ancre qui permettent de retenir et d'entraîner le disque abrasif (pad) pendant le travail. Il est important que la hauteur du plateau avec son disque abrasif (pad) soit même à la hauteur de la brosse.

CODE	QUANTITE	DESCRIPTION	UTILISATION
48903020	1	Brosse PPL 0,6 Ø 345mm/14"	Sols normaux.
48903030	1	Brosse PPL 0,9 Ø 345mm/14"	Sols lisses avec des petits joints et salissure persistant.
48903050	1	Brosse 5 mix Ø 345mm/14"	Pour tous les sols.
48803010	1	Plateau d'entraînement Ø 330mm/13"	Pour pad de 14", pour le nettoyage des surfaces lisses.
48803030	1	Plateau d'entraînement Ø 330mm/13"+ center	Pour pad de 14", pour le nettoyage des surfaces lisses.
48803040	1	Plateau d'entraînement Ø 330mm/13" + center	Pour pad de 14", pour le nettoyage des surfaces lisses.



Garantie limitée à long terme pour la protection des achats

Tornado Industries, Inc (Tornado) garantit au client utilisateur final que les produits Tornado seront exempts de défauts de matériaux et de fabrication pour la durée décrite ci-dessous. Cette garantie limitée **NE** couvre **PAS** les machines et/ou les composants soumis à une usure normale, des dégâts qui se produisent en cours de transport, les défaillances résultant d'une modification, un accident, un environnement d'exploitation inapproprié, une mauvaise utilisation, l'abus, la négligence ou l'entretien inapproprié. Pour plus de détails, contactez votre distributeur agréé Tornado, le Centre de service, ou le Service technique Tornado. Les représentants de vente et du service Tornado ne sont pas autorisés de supprimer ou modifier les conditions de cette garantie, ou d'augmenter les obligations de Tornado en vertu de la garantie.

10 ans*

Les réservoirs d'eau en plastique et les pièces moulées pour rotation

2 ans*

Les pièces sur tous les équipements de nettoyage Tornado

1 an*

Le travail sur tous les équipements de nettoyage Tornado

1 an*

La garantie des batteries, un an au prorata.

Toutes les garanties de la batterie sont traitées directement par le fabricant de la batterie, sur une année au prorata

Les conditions sont sujettes à changement sans préavis.

1. Sauf toutes les ventilateur-sécheurs, de côté et descendant, les ventilateurs d'isolation, TV2 SS, CV 30, CV 38, CK14/1 PRO, CK14/2 PRO, SWM 31/9, CK LW 13/1, CK LW 13/1 ROAM, Double CV 38/48, PV6, PV10 PV6 ROAM, Wall Mount, de Windshear™, toutes les balayeuses-brosses, les aspirateurs à traîneau sec, et tous les chargeurs sont garantis pendant 1 (un) an pour les pièces et le travail.
2. Tous les articles des pièces non-usures acheté après l'expiration de la garantie sont garantis pendant 90 jours.
3. La garantie commence à la date de la vente au consommateur ou, à la discrétion de Tornado, 6 mois après que le concessionnaire ait acheté l'appareil de Tornado, selon la première éventualité.
4. L'EB 30 est garanti pour une période de 90 jours pour les pièces et le travail
5. La garantie pour les moteurs utilisés sur les appareils au propane est limitée à la garantie du fabricant du moteur.
6. Les laveuses à conducteur porté sont garanties pour 24 mois pour les pièces, pour 6 mois de travail ou pour 1 000 heures, selon la première éventualité.

Note: Tornado, The Latest Dirt, Floorkeeper, Carpetkeeper, Carpetrinser, Carpetrinser/Dryer, Headmaster, Taskforce, PAC-VAC, T-Lite, Glazer, Windshear, Max-Vac, et Trot-Mop sont les marques de Tornado Industries

Site Web: www.tornadovac.com
Téléphone 1.800.VACUUMS
Télécopieur: 817-551-0719
Adresse: 3101 Wichita Court
Fort Worth, TX 76140

Formulaire F2662. © 2017. Tous droits réservés

