

# Powr-Flite®

## Safety, Operation, and Maintenance Manual for SELF-CONTAINED CARPET EXTRACTOR MODEL PFX3S



**Powr-Flite®**  
**COMMERCIAL FLOOR CARE EQUIPMENT**

**A Tacony Company**  
Fort Worth, TX 76140

Read and follow all instructions,  
warnings and cautions before using  
this self-contained extractor!

X8490



**READ ALL INSTRUCTIONS BEFORE USING!**

Congratulations on purchasing a Powr-Flite self-contained extractor. Given proper care, this product will provide you many years of trouble-free operation. All parts have passed rigid quality control standards before being assembled to produce the finished product.

Prior to packaging, the extractor is again inspected to ensure proper assembly. This unit is protectively packed to prevent damage in shipment. We recommend removal and inspection of unit upon delivery for possible damage in transit. Only a visual examination will reveal damage that may have occurred.

If damage is discovered, immediately notify the transportation company that delivered your extractor. As a shipper, we are unable to report claims for concealed damage. You must originate any claim within 5 days of delivery.

This manual is for your protection and information. PLEASE READ CAREFULLY since failure to follow precautions could result in discomfort or injury. When using electrical equipment, basic safety precautions should always be followed.

THANK YOU FOR CHOOSING POWR-FLITE

**TABLE OF CONTENTS**

|   |        |
|---|--------|
| INTRODUCTION . . . . .                          | 2      |
| SAFETY PRECAUTIONS (English) . . . . .          | 3      |
| SAFETY PRECAUTIONS (Spanish) (French) . . . . . | 4      |
| GROUNDING INSTRUCTIONS . . . . .                | 6      |
| GENERAL INSTRUCTIONS . . . . .                  | 7      |
| Machine Components . . . . .                    | 7, 8   |
| Machine Operation . . . . .                     | 7      |
| Cleaning Procedure . . . . .                    | 7      |
| Storage . . . . .                               | 8      |
| Routine Care & Maintenance . . . . .            | 8, 9   |
| MAINTENANCE GUIDE . . . . .                     | 9      |
| ILLUSTRATED PARTS LIST . . . . .                | 10, 11 |

**CARE OF THIS SELF-CONTAINED EXTRACTOR**

Treat this unit as you would any other high grade precision made product. Dropping, unreasonable bumping across thresholds and other misuses may result in a damaged unit which will not be covered by warranty. When not in use, power cord should be wrapped around handle for storage.

Read this manual completely before operating this extractor. It is important to follow instructions, in this manual, to prevent the possibility of injury or damage to the user and/or machine.

## IMPORTANT SAFETY PRECAUTIONS

**WARNING!:** To reduce the risk of fire, electric shock, or injury

**WARNING**

**To avoid fire, DO NOT use with a flammable or combustible liquid to clean floor.**



**WARNING**

**To avoid electric shock, DO NOT expose to rain. Store Indoors.**

When using this self-contained extractor, basic precautions should always be followed, including the following:

- 1) DO NOT leave unit when plugged in. Unplug from outlet when not in use and before servicing.
- 2) DO NOT allow unit to be used as a toy. Close attention is necessary when used around or near children.
- 3) Use only as described in this manual. Use only manufacturer's recommended attachments.
- 4) DO NOT use with damaged cord or plug. If unit is not working properly because it has been dropped, dropped into water, left outdoors, or damaged in any way, contact a service center of Powr-Flite.
- 5) DO NOT pull or carry by cord, use cord as a handle, close door on cord, or pull cord around sharp edges or corners. DO NOT run unit over cord. Keep cord away from heated surfaces.
- 6) DO NOT unplug by pulling on cord. To unplug, grasp the plug, not the cord.
- 7) DO NOT handle plug or appliance with wet hands.
- 8) DO NOT put any objects into openings. DO NOT use with any opening blocked: keep free of dust, lint, hair, or anything that may reduce air flow.
- 9) Keep hair, loose clothing, fingers, and all parts of body away from openings and moving parts.
- 10) DO NOT pick up anything that is smoking or burning such as cigarettes, matches, or hot ashes.
- 11) DO NOT use to pick up hazardous chemicals.
- 12) Turn off all controls before unplugging.
- 13) Turn unit off immediately if foam or liquid comes from machine exhaust. Empty & clean out recovery (dirty) tank and use defoamer to correct the problem.
- 14) DO NOT use to pick up flammable or combustible liquids such as gasoline or use in areas where they may be present.
- 15) DO NOT use where oxygen or anesthetics are used.
- 16) DO NOT use an extension cord unless absolutely necessary. If an extension cord is used, then wire size must be #14 or larger and should not exceed 25 ft. in length. Extension cord must be a three-wire type to ensure grounding protection.
- 17) Replace damaged or worn parts immediately with genuine original equipment parts to maintain safety.
- 18) This unit must be connected to a properly grounded outlet only. See grounding instruction.

## MEDIDAS DE SEGURIDAD

**PLUGHO:** Para reducir el riesgo de incendio, descarga eléctrica o daño:

**NO SE exponga a la lluvia a guarde bajo techo.**  
Una sacudida eléctrica puede suceder si se usa en superficies húmedas.



**NO utilice la unidad para levantar líquidos inflamables o combustibles como gasolina.**

## IMPORTANTES MESURES DE SÉCURITÉ

**AVERTISSEMENT:** Pour réduire les risques d'incendie, de choc électrique ou de blessure:

**NE PAS aspire de matières humides.**  
Ne pas exposer à l'intérieur.



**NE PAS utiliser l'appareil avec des liquides inflammables en aspirant afin d'éviter du feu.**

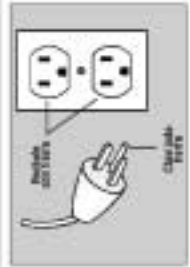
## PARA SU SEGURIDAD

- NO DEJE** la aspiradora enchufada. Desconéctela cuando no la use y antes de otro servicio.
- NO PERMITE** que se use como juguete. Evite la aflicción cuando se use cerca de niños.
- USE SE SOLAMENTE** de acuerdo a las instrucciones y con accesorios recomendados por el fabricante.
- NO USE** con el cable o clavija dañados. Si la unidad ha sido golpeada, mojada, o dañada envuelva en modo firme al correo de servicio o Power-Flite.
- NO JALE** o cargue del cable, no machuque el cable o lo estire sobre objetos fríos. **NO USE** la unidad sobre el cable.
- NO DESENCHUFE** tirando el cable. Para hacerlo jale de la clavija no del cable.
- NO TOME** la clavija o el aparato con las manos mojadas.
- NO TAPE** objetos en las ventillas. **NO USE** si alguna está tapada. Mantenga limpia de polvo, pelusa o cualquier obstrucción.
- Mantenga el pelo, ropa suelta, manos y partes del cuerpo lejos de las aberturas y partes móviles.
- NIUNCA** aspire objetos que muerden o humedando como cigarrillos, cerillos o cenizas calientes.

## INSTRUCCIONES DE TIERRA

**AVVERTISSEMENT:**

Una conexión incorrecta de tierra puede resultar en una descarga eléctrica. Consulte a un electricista calificado o persona de servicio si tiene dudas acerca del enchufe y su tierra. No modifique el enchufe de las unidades. Si no encaja en el enchufe, haga instalar un enchufe apropiado por un electricista calificado.



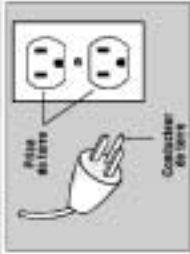
## POUR VOTRE SÉCURITÉ

- NE PAS** laisser l'appareil sans surveillance lorsqu'il est branché. Débrancher lorsque l'appareil n'est pas utilisé et avant l'entretien.
- NE PAS** permettre aux enfants de jouer avec l'appareil. Une attention particulière est nécessaire lorsque l'appareil est utilisé par des enfants ou à proximité de ces derniers.
- Multifier que conformément à cette notice avec les accessoires recommandés par le fabricant.
- NE PAS** utiliser l'appareil à un atelier de réparation s'il ne fonctionne pas bien, s'il est tombé ou s'il a été endommagé, ou dans l'atelier ou l'entrepreneur.
- NE PAS** tirer, soulever ou traîner l'appareil par le cordon. **NE PAS** utiliser le cordon comme une poignée, le coincer dans l'embrasure d'une porte ou l'appuyer contre des articles vives ou des coins. **NE PAS** faire rouler l'appareil sur le cordon. Changer le cordon à l'écart des surfaces chaudes.
- NE PAS** débrancher en tirant sur le cordon. Tirer plutôt la fiche.
- NE PAS** toucher la fiche ou l'appareil lorsque vos mains sont humides.
- NE PAS** utiliser des rallonges ou des prises qui n'ont pas de capacité suffisante pour transporter le courant.
- NE PAS** utiliser où l'oxygène ou les gazes sont utilisés.
- NIUNCA** aspirer aucun objet dans les ouvertures. **NE PAS** utiliser l'appareil lorsqu'une ouverture est bloquée. S'assurer que de la poussière, de la peluche, des cheveux ou d'autres matières ne réduisent pas le débit d'air.
- Maintenez les cheveux, les vêtements amples, le corps et toutes les parties du corps à l'écart des ouvertures et des pièces mobiles.
- NE PAS** aspirer de matières en combustion ou qui dégagent de la fumée, comme des organiques, des alimentaires ou des cendres chaudes.
- NE PAS** utiliser l'aspirateur pour soulever les produits chimiques dangereux.
- Mettez toutes les commandes à la position ARRÊT avant de débrancher l'appareil.
- Coupez le courant immédiatement et le liquide de nettoyage sort de l'appareil. Videz et nettoyez le réservoir inférieur et admettez le liquide de nettoyage sec.
- NE PAS** aspirer des liquides inflammables ou combustibles, comme de l'essence, et ne pas faire fonctionner dans des endroits où peuvent se trouver de tels liquides.
- Placez les parties vives à maintenir sécurités.
- Nu bronchar qu'à una prise de corriente con mise à la terra. Ver las instrucciones visant la mise à la terra.

## INSTRUCTIONS VISANT LA MISE À LA TERRE

**AVVERTISSEMENT:**

Un conducteur de terre mal raccordé peut entraîner un risque de choc électrique. Consultez un electricien ou un technicien d'entretien qualifié si vous n'êtes pas certain que la prise soit correctement mise à la terre. Ne pas modifier la fiche fournie avec l'appareil-se elle ne peut être insérée dans la prise. Faire installer une prise adéquate par un electricien qualifié.



# GROUNDING INSTRUCTIONS

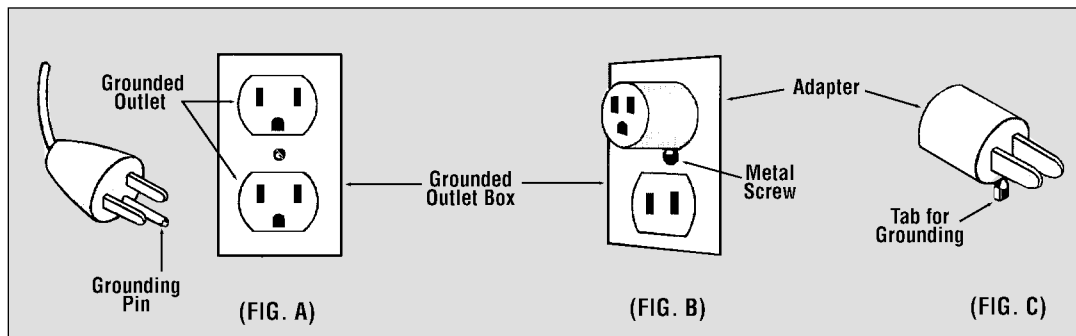
**DANGER:** Improper use of the grounding plug can result in a risk of electric shock.

## GROUNDING INSTRUCTIONS

This self-contained extractor must be properly grounded when in use. It is manufactured with a cord that has an equipment-grounding conductor and grounding plug. Should the self-contained extractor malfunction or breakdown, the grounding provides a path of least resistance for the electrical current to reduce the risk of electric shock. The plug on the extractor must be inserted into the correct type of outlet that is properly

installed and grounded, in accordance with all local codes and ordinances. If repair or replacement of the cord or plug is necessary, **DO NOT** connect the grounding wire to either flat blade terminals on the plug. The grounding wire is covered in green insulation material. (The insulation may be green with stripes or solid.)

## GROUNDING METHODS



This self-contained extractor is for use on a nominal 120 volt circuit. It is equipped with a grounded plug as illustrated in FIG A. If a properly grounded outlet is not available, a temporary adapter, as illustrated in FIG B and C, may be used to connect the plug to a 2-pole receptacle as show in FIG B.

The temporary adapter should only be used until a properly grounded outlet (FIG A) can be installed by a qualified electrician. The adapter must be held in place by a metal screw. The green colored rigid ear or lug extending from the adapter (Tab for Grounding - FIG C) must be connected to a permanent ground, such as a properly grounded outlet box cover.

**NOTE:** In Canada, the use of a temporary adapter is not permitted by the Canadian Electrical Code.

## WARNING!

Improper connection of the equipment-grounding conductor can result in a risk of electric shock. Check with a qualified electrician or service person if you are in doubt as to whether the outlet is properly grounded. **DO NOT** modify the plug provided with the extractor. If it will not fit the outlet, have a proper outlet installed by a qualified electrician.

# GENERAL INSTRUCTIONS

## PRE-OPERATION INSTRUCTIONS

FIG. 1C

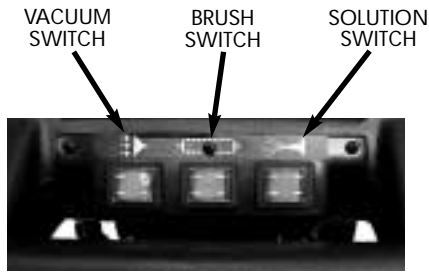


FIG. 1A

**NOTE - FOR COLOR FASTNESS:** Before using carpet cleaning chemicals, test on an inconspicuous part of the carpet for color fastness. Place the solution on a small piece of clean white cloth or tissue. Rub the carpet area vigorously with the cleaning chemical. Excessive amounts of dye showing on the material would indicate that the colors are not colorfast, and should not be wet cleaned.

- 1) Prepare room for cleaning, moving furniture as need to provide a clear working area. Cover bottoms of furniture legs where possible. (Aluminum foil or foam blocks are ideal for this purpose.) Pin up curtains and drapes.
- 2) Gather cleaning supplies: a clean, suitable sized bucket, carpet cleaning solution, such as Powr-Flite's Kold-Powr, defoamer solution such as Powr-Flite's Powr-Defoamer, and pretreat solutions for heavily soiled traffic areas such as Powr-Flite's Fast Lane.
- 3) Disconnect vacuum hose from recovery tank and lift the RECOVERY TANK off of the SOLUTION TANK.
- 4) Measure carpet cleaning solution, per manufacturers recommended ratio, into the SOLUTION TANK and fill with hot water. DO NOT use the RECOVERY TANK to fill the SOLUTION TANK. Debris remaining in the tank could damage the pump or block the jet. WARNING: DO NOT exceed water temperature of 150° (65° C).
- 5) Replace RECOVERY TANK on machine. Add defoamer solution, per manufacturer's instructions as needed, in RECOVERY TANK.
- 6) Replace the transparent cover on the RECOVERY TANK and connect the vacuum hose to the front of the RECOVERY TANK.
- 7) Pre-treat heavily soiled carpet areas as required.

## OPERATION OF SELF-CONTAINED CARPET CLEANER

- 1) Plug the power cord into an outlet. WARNING: This machine must be properly grounded. See Grounding Instructions on page 4 for additional information.
- 2) Press the VACUUM switch "on" and the BRUSH switch to the "right" position. See FIG C for a diagram on operational switches.
- 3) To clean the carpet, squeeze and hold the SOLUTION LEVER (FIG A) to apply the cleaning solution, pulling the machine backwards at the same time. Stop spraying the solution approximately 12 inches (30 cm) before the end of your pass, so that the extractor will vacuum up all of the solution. Slightly overlap the next cleaning pass to prevent streaking. To avoid overwetting, it is recommended that a maximum of only two wet passes (spraying solution) be done. One dry pass without spraying solution will also aid in drying time. After a few passes, check the RECOVERY TANK to verify that no foam is present. Add extra defoamer if necessary.
- 4) Empty the RECOVERY TANK when it is approximately 3/4 full. Do not refill the SOLUTION TANK without emptying all of the contents of the RECOVERY TANK first.

# GENERAL INSTRUCTIONS

## STORAGE

WHEN CLEANING IS FINISHED:

- 1) Disconnect the SOLUTION HOSE on the front of the machine by pushing in on the ring of the solution fitting.
- 2) Connect the drain hose (clipped to the back) to the SOLUTION HOSE fitting and place the other end into the RECOVERY TANK. Press the SOLUTION switch to the "right" position. This will activate the motor to pump any remaining solution into the RECOVERY TANK for easy drainage.
- 3) When all of the solution is pumped from the SOLUTION TANK, turn the SOLUTION switch off, remove the power plug from the outlet and empty the RECOVERY TANK. Leave the RECOVERY TANK open when storing.
- 4) Disconnect the DRAIN HOSE by pushing in on the ring of the SOLUTION HOSE fitting. Replace the DRAIN HOSE in the clip on the back of the machine, and re-connect the SOLUTION HOSE.



FIG. 2

# ROUTINE MAINTENANCE INSTRUCTIONS

## DAILY / INTERVAL

- 1) The filter in the solution tank (FIG 3) should be kept clean. It can be removed if necessary. A damaged filter should be replaced, otherwise blockages and/or damage to the pump head and spray jet can occur.
- 2) Check the spray jet (FIG 4) for blockage and a uniform spray pattern. Remove jet and blow through to clean. Do not use a pin or other sharp objects as this may cause damage to the jet.
- 3) Check and remove any debris or lint build-up from the vacuum head, brush, and brush housing.
- 4) Always wash out the tanks with clean water after use. To do this, pour clean water into the solution tank and spray through spray tip to clear chemical residue from the pump, lines, and spray tip. Allow the vacuum to run for a few minutes after use to aid the machine in drying out and to help prevent bacteria and odors.
- 5) Wash out mesh filter in RECOVERY TANK of dirt and carpet fibers after dumping waste from recovery tank. Failure to clean filter may cause damage to vacuum motor.

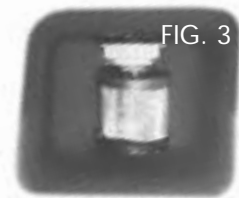


FIG. 3



FIG. 4

SOLUTION SPRAY JET

## WEEKLY

- 1) Inspect hoses (unseen blockages sometimes occur), hose cuffs, and the rubber seal on the recovery tank lid. The main cable, plug, and switches should also be examined for damage.

NOTE: It is advisable to store the unit with the recovery tank lid removed.

CAUTION: THIS UNIT MUST BE PROTECTED FROM FREEZING. Damage from freezing could cause machine to malfunction.



## MAINTENANCE GUIDE

### Motors not running

**CAUSE:**

- 1) Power not reaching main switch.
- 2) Defective power cord.
- 3) Faulty switches or wiring.
- 4) Blown fuse or tripped circuit breaker
- 5) Problem with brushes, field windings, or armatures. (vacuum or brush motor)
- 6) Reset switch on back.

**SOLUTION:**

- 1) Check power supply. Check fuses/circuit breaker. Contact service center.
- 2) Contact manufacturer or service center.
- 3) Contact manufacturer or service center.
- 4) Reset circuit breaker according to operating instructions or replace fuse if qualified.
- 5) Repair or replace defective part.
- 6) Push reset switch.

### Loss of vacuum suction

**CAUSE:**

- 1) Vacuum head blocked.
- 2) Hose blocked.
- 3) Recovery tank not sealed properly.

**SOLUTION:**

- 1) Visually inspect and clear blockage.
- 2) Visually inspect and clear blockage.
- 3) Check tank for damage or adjust for proper fit.

### Brush not functioning properly

**CAUSE:**

- 1) Belt broken.
- 2) Brush jammed.
- 3) Brush pulley broken.

**SOLUTION:**

- 1) Replace belt.
- 2) Visually inspect and clear blockage.
- 3) Replace pulley.

### Spray jet not functioning properly

**CAUSE:**

- 1) Jet blocked
- 2) Solution filter blocked.

**SOLUTION:**

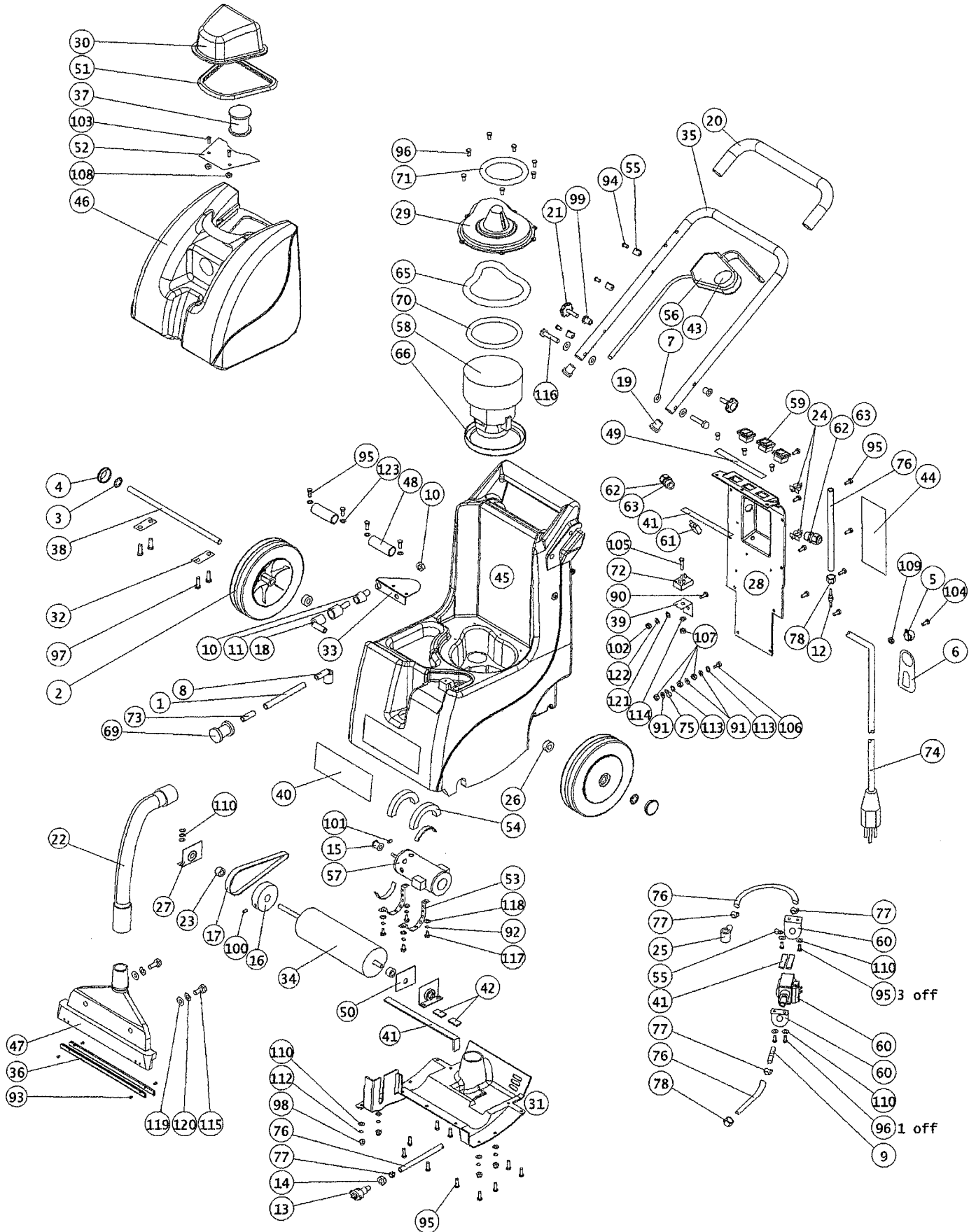
- 1) Visually inspect and clean according to operating instructions.
- 2) Visually inspect and clean according to operating instructions.

# ILLUSTRATED PARTS LIST

| Ref # | Part #    | Description                                   |
|-------|-----------|---|
| 1     | 2-265     | Silicon Hose                                  |
| 2     | 2-3121    | Wheel with Cap (Complete)                     |
| 3     | 2-3122    | Starlock Washer                               |
| 4     | 2-3124    | Wheel Cap (Spares Only)                       |
| 5     | 2-3151    | P Clip Cable Restraint                        |
| 6     | SC301     | Cable Restraint                               |
| 7     | 2-3417    | Nylon Washer                                  |
| 8     | SC302     | 1/4" Elbow Barb Black (P.B.)"                 |
| 9     | 2-3443    | 1/8" Male Barb                                |
| 10    | SC303     | Bulkhd Coupling Metal                         |
| 11    | SC304     | Female Coupling Metal                         |
| 12    | SC305     | Drain Hose Conn. Male                         |
| 13    | SC306     | Spray Nozzle                                  |
| 14    | SC307     | Spray Nozzle Retaining Nut                    |
| 15    | SC308     | Motor Pulley                                  |
| 16    | SC334     | Brush Pulley                                  |
| 17    | SC309     | Brush Drive Belt                              |
| 18    | SC310     | 1/4" BSPT Metal Elbow Male"                   |
| 19    | 2-3457    | Tube End Cap                                  |
| 20    | SC336     | Handle Grip                                   |
| 21    | SC311     | Handle Lock Knob                              |
| 22    | SC312     | Vac Pick-up Hose                              |
| 23    | SC313     | Nylon Brush Spacer                            |
| 24    | 2-3478    | Pump Out Hose Clips                           |
| 25    | 2-3486    | 1/4" BSPT Grey Elbow Male"                    |
| 26    | 3-5589    | Wheel Spacer                                  |
| 27    | SC314     | Bearing Housing                               |
| 28    | SC315     | Back Electrical Cover                         |
| 29    | SC316     | Vac Motor Cover                               |
| 30    | SC317     | Vac Lid                                       |
| 31    | SC318     | Bottom Cover                                  |
| 32    | 3-5991    | Axle Retain Brackets                          |
| 33    | 3-5992    | Fluid Coupling Bracket                        |
| 34    | SC319     | Brush Body                                    |
| 35    | SC320     | Handle  |
| 36    | 3-5998    | Pick-up Strip                                 |
| 37    | SC335     | Filter Element-waste Tank                     |
| 38    | 3-6000    | Axle  |
| 39    | 3-6001    | Rectifier Heat Sink                           |
| 40    | TW091052  | Powr-Flite Label                              |
| 41    | 3-6009    | Gasket Strip<br>(Bck + Bot Cvr + Pump Strips) |
| 42    | 3-6010    | Gasket Bot 10mm Pads                          |
| 43    | 3-6011    | Champ Compact Spray jet Label                 |
| 44    | 3-6012    | Champ Compact Pictorial Label                 |
| 45    | 3-6013    | Solution Tank                                 |
| 46    | SC321     | Recovery Tank                                 |
| 47    | 3-6015/PO | Pick-up                                       |
| 48    | 3-6034    | Silicone Tube Tank Spacer                     |
| 49    | 3-6018    | Champ Compact Switch Label                    |
| 50    | SC322     | Bearing Protector Seal                        |
| 51    | SC323     | Vac Lid Seal                                  |
| 52    | 3-6021    | Water Path Deflector Plate                    |
| 53    | 3-6031    | Brush Motor Clamp Strip                       |
| 54    | 3-6033    | Motor Spacer                                  |
| 55    | 4-286     | P Clip  |
| 56    | SC324     | Handle Switch                                 |
| 57    | SC325     | Brush Motor (110 volt Version)                |

| Ref #            | Part #      | Description                               |
|------------------|-------------|---|
| 58               | SC326       | Vac Motor (110 volt Version)              |
| 59               | SC327       | Switch with Cover                         |
| 60               | SC328       | Solenoid Pump (110 volt Version)          |
| 61               | SC329       | Cut Out (110 volt Version)                |
| 62               | 4-3212      | Cable Gland                               |
| 63               | 4-3213      | Cable Gland back nut                      |
| 64               | 5-3409      | Wiring Kit (Not Shown)                    |
| 65               | SC330       | Motor Cover Seal (egg)                    |
| 66               | RX000119    | Vac Motor Lip Seal                        |
| 69               | SC333       | Filter Element                            |
| 70               | SC337       | Vac Seal Bottom                           |
| 71               | SC331       | Vac Seal Top                              |
| 72               | SC332       | Rectifier (brush Motor)                   |
| 73               | TW011120    | Red Nylon Tube                            |
| 74               | SC337       | PowrFlite Cord Set                        |
| 75               | TW023055    | P-clip (internal)                         |
| 76               | TW065064    | 6mm Bore Hose                             |
| 77               | TW033069    | Jubilee Clip                              |
| 78               | TW065063    | O-Clip Steel                              |
| <b>Fasteners</b> |             |   |
| 90               | 2-3032      | Nylon Screw                               |
| 91               | M5-R-ZN     | M5 Shakeproof Washers for Bonding Screw   |
| 92               | M6-P-SS     | M6 Spring Washers Stainless (Motor Mount) |
| 93               | 2-3463      | Stainless Rivets                          |
| 94               | 2-3464      | Screw for P Clip                          |
| 95               | 2-3465      | Roto Small Tapper                         |
| 96               | 2-3466      | Roto Intermediate Tapper                  |
| 97               | 2-3467      | Roto Large Tapper                         |
| 98               | 2-3479      | Housing Domenut                           |
| 99               | 2-3484      | M6 Handle Insert                          |
| 100              | M4-10-XB    | Brush Pulley Grub Screw                   |
| 101              | M4-3-XB     | Motor Pulley Grub Screw                   |
| 102              | M4-I-ZN     | Nut for Nylon Screw                       |
| 103              | M5-16-BP-SS | Deflector Plate Bolt -cstk                |
| 104              | M5-16-CP-ZN | Cable Restraint Bolt                      |
| 105              | M5-20-CP-ZN | Rectifier Bolt                            |
| 106              | M5-25-CP-ZN | Earth Bonding Screw                       |
| 107              | M5-I-ZN     | Rectifier Nut                             |
| 108              | M5-LN-SS    | Deflector Plate Nut                       |
| 109              | M5-I-ZN     | Cable Restraint Nut                       |
| 110              | M5-OLG-SS   | Housing Washer                            |
| 111              | M5-OLG-ZN   | Rectifier Washer                          |
| 112              | M5-P-SS     | Housing Spring Washer                     |
| 113              | M5-OHG-ZN   | Earth Bonding Screw Washers               |
| 114              | M5-P-ZN     | Rectifier Spring Washer                   |
| 115              | M8-16-E-SS  | Pick-Up Bolt                              |
| 116              | SC338       | Handle Pivot Bolt                         |
| 117              | M6-12-E-SS  | M6 Motor Mounting Screws                  |
| 118              | M6-OLG-SS   | M6 Motor Mounting Washers                 |
| 119              | M8-OHG-SS   | M8 Pick-Up Mounting Washers               |
| 120              | 2-3250      | M8 Shakeproof Washer for Pick-Up Mount    |
| 121              | M4-OLG-ZN   | M4 Rectifier Washer                       |
| 122              | M4-P-ZN     | M4 Rectifier Spring Washer                |
| 123              | 2-3485      | M5 Black Plastic Washer                   |

# ILLUSTRATED PARTS LIST



## WARRANTY

The manufacturer warrants to the original purchaser that products manufactured are free from defects of workmanship and material, provided such goods are installed, operated and maintained in accordance with written manuals or other instructions for a period of 1 year from date of purchase on parts and workmanship. In case you as our customer, meet any trouble with your machine, contact your Powr-Flite representative who will be happy to be of service to you and will take care of the warranty settlement.

NOTE: Alterations and changes made to the machine without written approval of the manufacturer and use of unapproved spare parts will not be covered by warranty.

**SAVE THESE INSTRUCTIONS**