

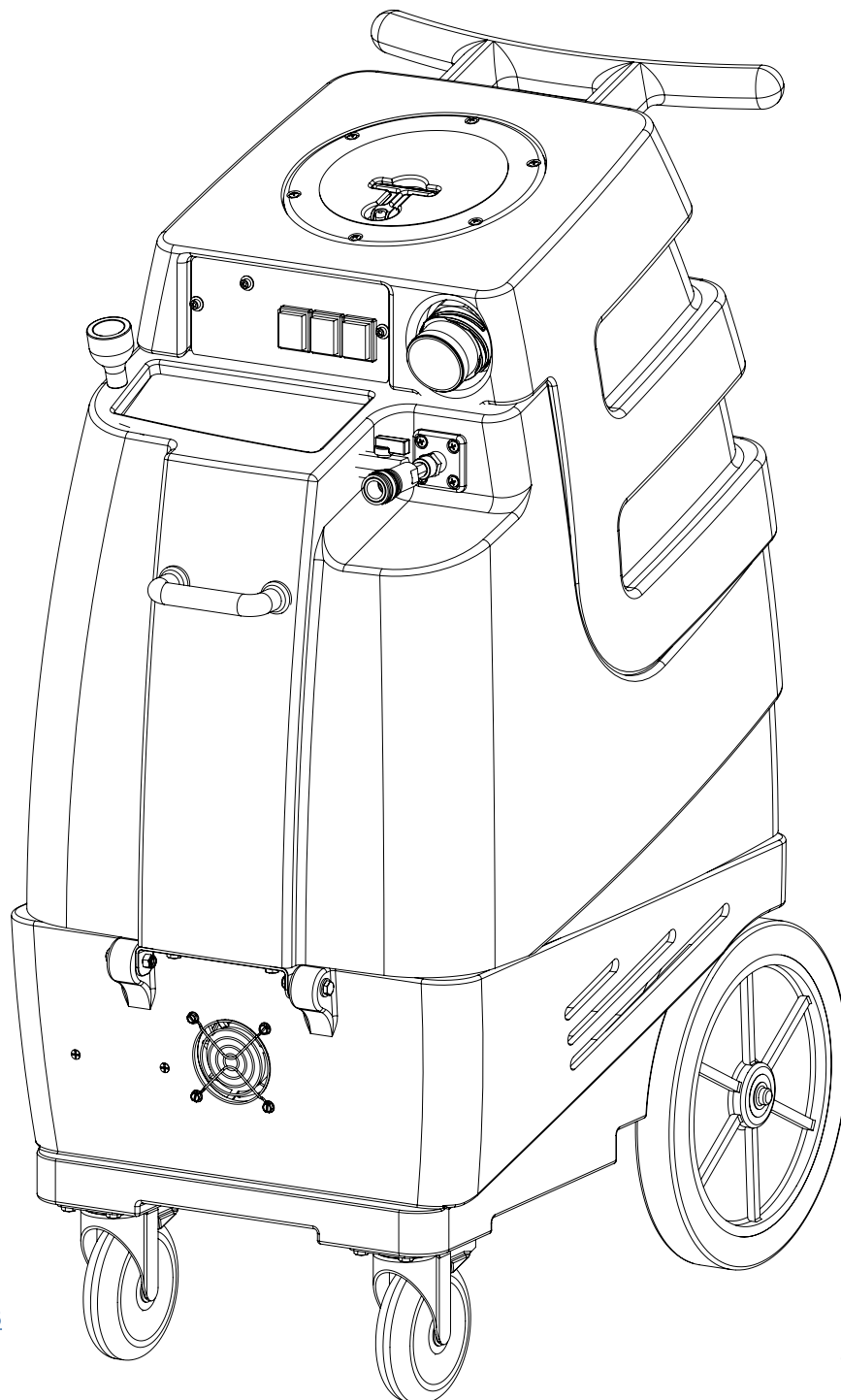
# Instructions for 1000DX-200, 1001DX-200, 1003DX, 1005DX Speedster<sup>®</sup>



Please read before use.



Register your product  
at <http://www.mytee.com/support/register>



[General information p.3](#)

[1000DX-200 p.6](#)

[1001DX-200 p.12](#)

[1003DX p.18](#)

[1005DX p.24](#)

Model # \_\_\_\_\_

Serial # \_\_\_\_\_

Form # ADP-Speedster

11-15



## Dear Customer:

Congratulations on the purchase of your new Speedster® Extractor. As you are already aware, the scene of the equipment world is becoming more high tech, and we at Mytee Products Inc. strive to keep you on the cutting edge with superior quality and technology.

Keep in mind that the Speedster® Extractor is a machine, so neglect or abuse will cause unnecessary damage and void the warranty. However with simple maintenance the Speedster® will give quality performance for many years to come.

If warranty questions arise, please consult user manual or get in touch with your distributor. If you have questions about maintenance, replacing parts or ordering parts, please call an authorized Mytee Products Inc. Service Center. To see an updated list, visit our website at [www.mytee.com](http://www.mytee.com)

Before you begin using, please read your manual thoroughly.

Sincerely,  
Mytee Customer Care Dept.

## Grounding Instructions

This machine must be grounded. If it should malfunction or breakdown, grounding provides a path of least resistance for electrical shock. This machine is equipped with a cord having an equipment-grounding conductor and grounding plug. The plug must be plugged into an appropriate outlet that is properly installed in accordance with all local code and ordinances. Do not remove ground pin; if missing, replace plug before use.



Improper connection of the equipment-grounding conductor can result in a risk of electric shock. Check with a qualified electrician or service person if you are in doubt as to whether the outlet is properly grounded. Do not modify the plug provided with the machine. If it will not fit the outlet, have a proper outlet installed by a qualified electrician.

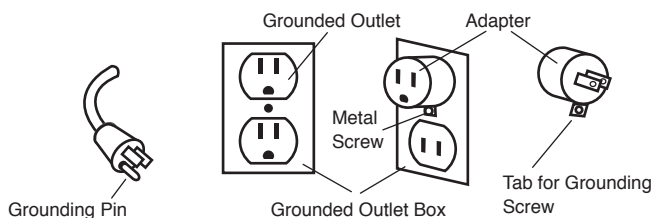
This appliance is for use on a nominal 120-volt circuit, and has a grounding plug that looks like the plug illustrated in Figure 1 below. A temporary adapter illustrated in Figures 2 and 3 may be used—to connect this plug to a 2-pole receptacle as shown in Figure 2 if a properly grounded outlet is not available. The temporary adapter should be used only until a properly grounded outlet (Figure 1) can be installed by a qualified electrician. The green colored rigid ear, tab or the like extending from the adapter must be connected to a permanent ground such as a properly grounded outlet box cover. Whenever the adapter is used, it must be held in place by a metal screw. Grounding adapters are not approved for use in Canada.

Replace the plug if the grounding pin is damaged or broken.

The Green (or GreenYellow) wire in the cord is the grounding wire. When replacing a plug, this wire must be attached to the grounding pin only.

DO NOT use extension cords.

**Please Note for America use only**



## Parts and Service

Repairs, when required, should be performed by Mytee service personnel or Mytee authorized Service Center using Mytee original replacement parts and accessories. Call Mytee for repair parts or service. Please

specify the Model and Serial Number when discussing your machine.

## Name Plate

The Model and Serial Number of your machine are shown on the name plate located on the inside of the machine. This information is needed when ordering repair parts for the machine. Use the space provided on the front cover to note the Model and Serial Number of your machine for future reference.

## Unpacking the Machine

When the machine is delivered, carefully inspect the shipping carton and the machine for damage. If damage is evident, save the shipping carton so that it can be inspected by the carrier that delivered it. Contact the carrier immediately to file a freight damage claim.

## Caution and Warnings

### Symbols

Mytee uses the symbols below to signal potentially dangerous conditions. Always read this information carefully and take the necessary steps to protect personnel and property.



### DANGER

Is used to warn of immediate hazards that will cause severe personal injury or death.



### WARNING

Is used to call attention to a situation that could cause severe personal injury.



### CAUTION

Is used to call attention to a situation that could cause minor personal injury or damage to the machine or other property. When using an electrical appliance, basic precautions should always be followed, including the following: Read all instructions before using this machine. This product is intended for commercial use only.



### WARNING

To reduce the risk of fire, electrical shock, or injury:

1. Read all instructions before using equipment.
2. Use only as described in this manual. Use only manufacturer's recommended attachments.
3. Always unplug power cord from electrical outlet before attempting any adjustments or repairs.
4. Do not unplug by pulling on cord. To unplug, grasp the plug, not the cord.
5. Do not pull or carry by cord. Do not close a door on cord or pull cord around sharp edges or corners.
6. Do not run appliance over cord. Keep cord away from heated surfaces.
7. Do not use with damaged cord or plug. If cord is damaged, repair immediately.
8. Do not use outdoors or on wet surfaces and or standing water.
9. Always unplug or disconnect the appliance from power supply when not in use.
10. Do not allow to be used as a toy. Close attention is necessary when used by or near children.
11. Do not use in areas where flammable or combustible material may be present.
12. Do not leave the unit exposed to harsh weather elements. Temperatures below freezing may damage components and void warranty.
13. Use only the appropriate handles to move and lift unit. Do not use any other parts of this machine for this purpose.
14. Keep hair, loose clothing, fingers, and all parts of the body away from all openings and moving parts.
15. Use extra care when using on stairs.
16. To reduce the risk of fire or electric shock, do not use this machine with a solid-state speed control device.

# GENERAL INFORMATION

17. The voltage and frequency indicated on the name plate must correspond to the wall receptacle supply voltage.
18. When cleaning and servicing the machine, local or national regulations may apply to the safe disposal of liquids which may contain: chemicals, grease, oil, acid, alkalines, or other dangerous liquids.
19. Do not leave operating unattended.

## Preparation

1. Remove furniture and other items from the area you are going to clean.
2. Vacuum carpet and upholstery, and remove debris.
3. Protect cabinets, walls and painted surfaces with drop cloths or plastic.
4. Inspect power cords for damages.

## Operating Instructions

1. Fill the solution tank.
2. Attach one end of a solution hose to a wand or other tool, the other end to the Speedster's® front quick disconnect.
3. Attach one end of a vacuum hose to the tool, the other end to the Speedster's® Cuff-Lynx™ vacuum hose port.
4. Plug in power cords.

• **1000DX-200 models** – Plug single cord into single, 20A grounded wall outlet.

• **1001DX-200 models** – Using two separate circuits/breakers, plug the left power cord into 20A grounded wall outlet to turn on Vac 2 and Heater 2. Plug the right power cord into separate 20A grounded wall outlet to turn on Vac 1, Heater 1 and Pump.

• **1003DX models** – Using two separate circuits/breakers, plug the left power cord into 20A grounded wall outlet to turn on Vac 2 and Heater 2. Plug the right power cord into separate 20A grounded wall outlet to turn on Vac 1, Heater 1 and Pump.

• **1005DX models** – Using two separate circuits/breakers, plug the left power cord into 20A grounded wall outlet to turn on Vac 2. Plug the right power cord into separate 20A grounded wall outlet to turn on Vac 1 and Pump.

The amber light indicator on the switch plate will illuminate brightly when cords are plugged into two separate circuits. Do not use extension cords longer than 50 feet.

5. Turn on switches.
- 1000DX-200, 1005DX models – Turn on Vac 1, Vac 2 and Pump switches.

• 1001DX-200 and 1003DX – Turn on Vac 1, Vac 2 and Pump switches. Turn on Heater switch if heat is being used. Wait several minutes for water to heat. Heater switch has three positions: Off (middle); 1,000 watts using one heater (left); and 2,000 watts using two heaters (right). Red lights on panel display indicate watts selected: one light = 1,000 watts; two lights = 2,000 watts; no lights = heaters are off.

6. 1003DX and 1005DX models – Prime Valve and Pressure Regulator are located on the lower front of the extractor. To prime the pump, turn the valve to the Prime position for 30 seconds, then turn horizontally to the Run position. Turn the Pressure Regulator to the left to decrease the water pressure. Turn to the right to increase water pressure. Level will be visible on the pressure gauge. Monitor while adjusting, using Pressure Gauge on Switch Panel.

7. Begin cleaning. Make two dry passes to every wet pass. Work away from cords to avoid damage. To clean heavily soiled areas, repeat cleaning from a different direction.
8. Use a foam control solution in the recovery tank to prevent motor damage and check for foam build-up in recovery and solution tanks.
9. Empty the recovery tank as needed when the internal ball float automatically shuts off the vacuum. Attach the 45° drain elbow to the drain spout in back. Lift up the dump valve and empty tank.
10. To relieve water pressure from the solution hose before disconnecting it, squeeze the tool's trigger five seconds after turning the power switches off.
11. Once machine is off, unplug power cords. Remove solution and vacuum hoses. Empty the recovery tank by attaching the 45° drain elbow to the drain spout in back. Lift up the dump valve and empty tank.
12. 1003DX and 1005DX models – Water remaining in the solution tank can be emptied by turning the Prime Valve to the right to move water into the recovery tank. Empty recovery tank.

**Please note: Your pump features a pressure switch, to protect vital components. A minimum spray jet size of 02 needed for use with this pump. Using a jet size smaller than this can cause back-pressure to the pump, leading to an over-heat condition. Make sure that your tool has a jet size of 02 or larger prior to use.**

## After Use

1. Before storing machine, drain, rinse and dry tanks and vacuum hose of water and solution.
2. Store in a dry area in the upright position.
3. Open recover tank cover to promote air circulation.
4. Store indoors in a dry area. If storing in freezing temperatures, make sure the machine and solution system are completely drained and dry.

## Maintenance Schedule

Latches are located in back to open tank for internal maintenance. To keep machine in good working condition, follow machine's daily and weekly maintenance procedures. Check valves and relief valves should be replaced annually.

Maintenance item	Daily	Once a week
Clean and inspect tanks.	x	
Clean and inspect hoses.	x	
Check and clean internal filters by twisting off, rinsing with clean water and replacing.	x	
Check power supply cable.	x	
Clean machine with all-purpose cleaner and cloth.	x	
Check spray nozzles.	x	
Flush solution system with Mytee® System Maintainer.		x
Remove and float shut-off screen from tank and clean. Simply pull off.		x
Inspect vacuum hoses for holes and loose cuffs.		x
Inspect spray pattern for clogging. If clogged, remove spray tips and soak them in a recommended liquid neutralizer for up to six hours. To remove spray tip, twist spray tip body counter-clockwise.		x
Lubricate wheels with water resistant oil.		x
Inspect machine for water leaks and loose hardware.		x

## Trouble Shooting

### There is no power.

1. Plug machine in proper outlet.
2. If using two cords, make sure each is plugged into a separate circuit.
3. Check circuit breaker. Reset circuit breaker, other items should not run on the same circuit as the machine. Outlet must be a 20-amp circuit.

### Pump does not work properly

1. Snap quick disconnects firmly together.
2. Check solution tank; may be empty.
3. Jets clogged, remove jet and flush clean.
4. Filters clogged, remove filters and rinse clean with water.
5. Heater is blocked; flush out with Mytee's® System Maintainer.
6. If brass check valve is stuck, replace valve.
7. Check pump wire. May need to reconnect wire.
8. Switch plate may need to be replaced.
9. If pump motor brushes are worn, replace pump.

**\*A minimum spray jet size of 02 needed for use with this pump.**

### 1001DX-200 or 1003DX heater does not work properly

1. If sensor mounted on the heater has popped, reset sensor by pushing in button.
2. Heating element may need to be replaced.

### Vacuum motor does not work properly

1. Check that hose is tightly connected.
2. Close drain hose valve completely.
3. Secure the vacuum tank tightly.

4. If electronic switch is shut off, empty vacuum tank of all wastewater.
5. If water is coming out of the vacuum motor, use a low foaming detergent.
6. Clean upholstery tool or floor wand jets.

## FAQs

Q: How much do the Speedster® Series extractors weigh and what are the dimensions?

A: All Speedsters

Machine Dimensions: 28" x 18 ¼" x 40"

Shipping Dimensions: 29 ½" x 19 ¼" x 46 ½"

1000DX-200 – Machine Weight: 83 lbs.

Shipping Weight: 104 lbs.

1001DX-200 – Machine Weight: 94 lbs.

Shipping Weight: 124 lbs.

1003DX – Machine Weight: 122 lbs.

Shipping Weight: 150 lbs.

1005DX – Machine Weight: 113 lbs.

Shipping Weight: 140 lbs.

Q: What are the tank capacities?

A: Capacities for all Speedsters

Solution tank capacity: 10 gal.

Recovery tank capacity: 9 gal.

Vacuums shut off automatically when recovery tank reaches 8 gal.

Q: What comes standard with Speedsters™ extractors?

A: Hose hanger with four screws, two Cuff-Lynx™ Model Numbers: H141 Reducer and H110 Coupler Swivel, and 45° drain elbow.

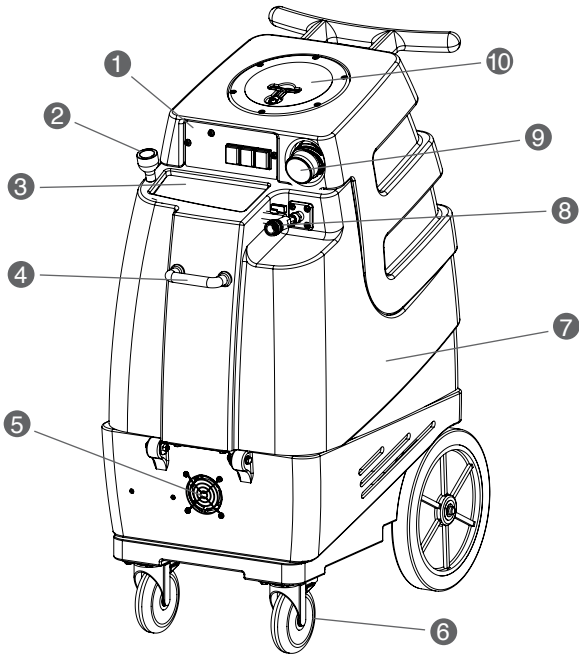
Q: Does Mytee® recommend tools for this machine?

A: All upholstery tools and wands can be used with the Speedster® series.

Q: Is there anything I can do to increase the expected life of my machine?

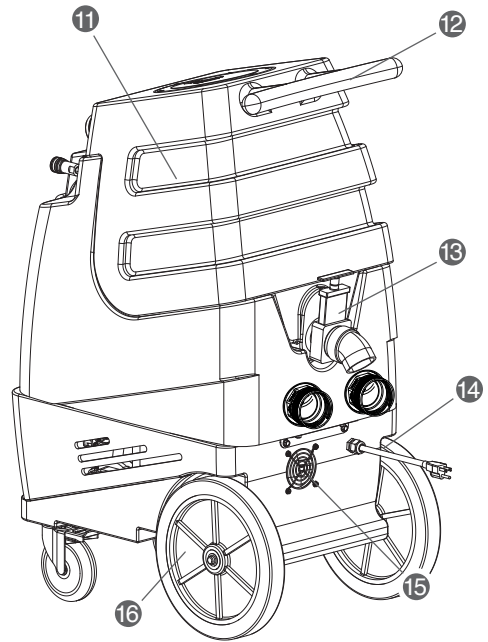
A: Running the vacuum motors with the tank empty and lid off will allow excess moisture in the vacs to dry off. You should also run Mytee's® System Maintainer through the system to keep the hoses, pump, and heater clean and free of debris..

1000DX-200 SPEEDSTER® FRONT



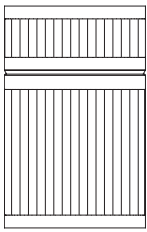
- 1. Switch plate
- 2. Easy faucet fill
- 3. Solution tank lid
- 4. Front handle
- 5. Front vent
- 6. 5" locking casters
- 7. Solution tank
- 8. Female quick disconnect
- 9. 2" Male Cuff-Lynx™
- 10. Recovery lid

1000DX-200 SPEEDSTER® BACK

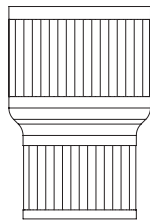


- 11. Recovery tank
- 12. Push handle
- 13. Drain valve
- 14. Power cord
- 15. Back vent
- 16. 12" Rear wheels

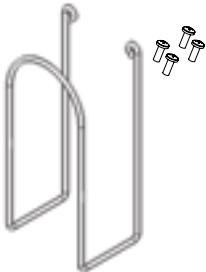
1000DX-200 SPEEDSTER® ITEMS INCLUDED



H110 Cuff-Lynx™  
2" Hose Adapter



H141 Cuff-Lynx™  
2" Hose Reducer to 1.5"

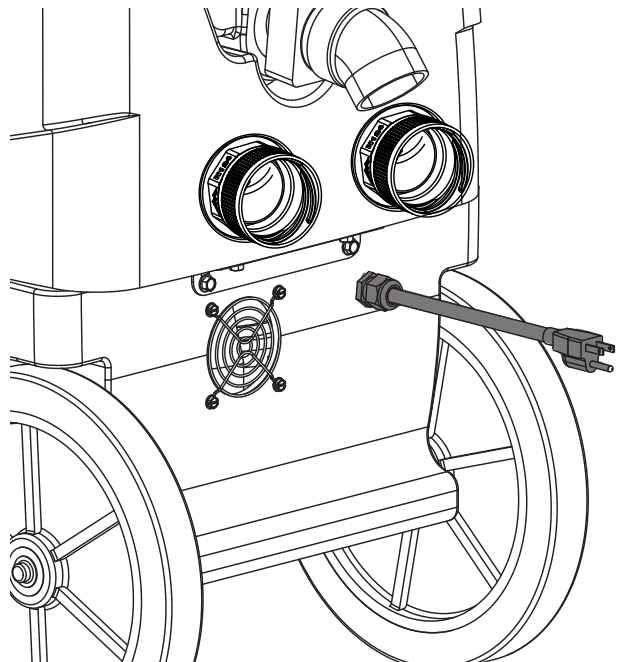


H375- Hose Hanger  
(4) screws



H226 Drain Elbow

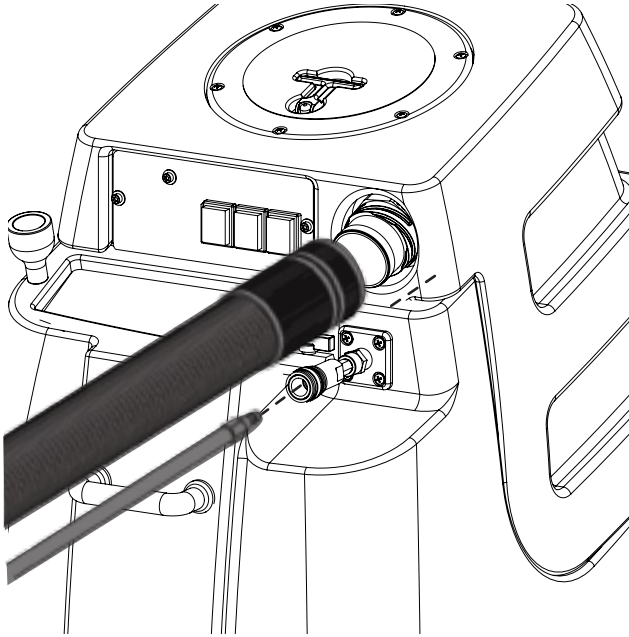
1000DX-200 SPEEDSTER® CORD



Plug the power cord into a single, 20A grounded wall outlet.

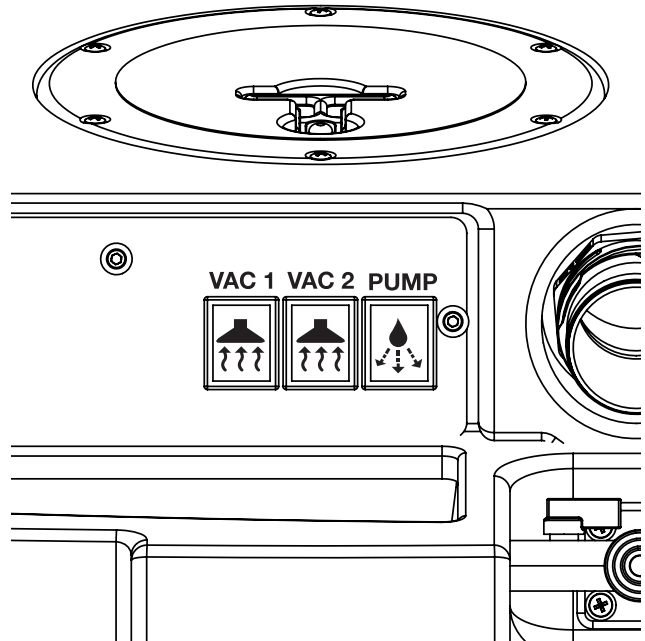
# 1000DX-200 SPEEDSTER

## 1000DX-200 SPEEDSTER® VAC/SOL HOSE CONNECTIONS



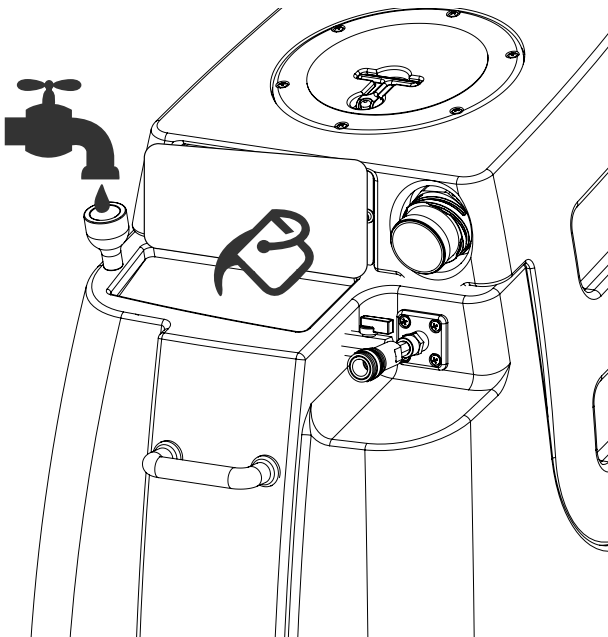
Attach one end of a solution hose to a wand or other tool, the other end to the Speedster's® front quick disconnect. Attach one end of a vacuum hose to the tool, the other end to the Speedster's® Cuff-Lynx™ vacuum hose port.

## 1000DX-200 SPEEDSTER® SWITCHES



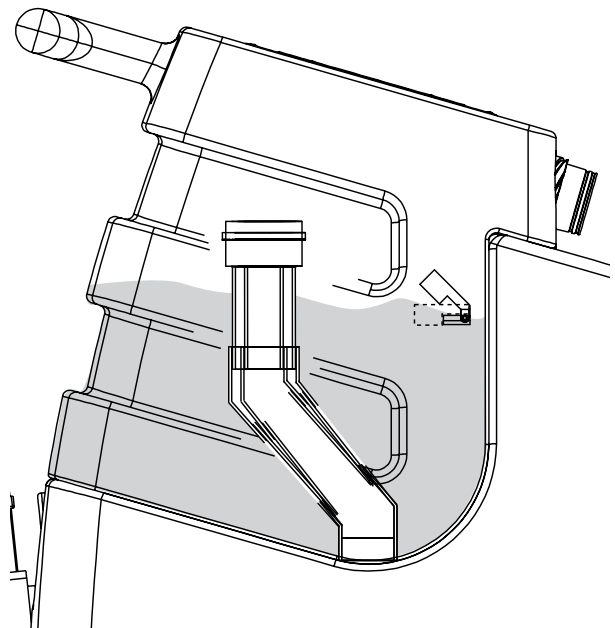
Turn on Vac 1, Vac 2 and Pump switches.

## 1000DX-200 SPEEDSTER® FILL SOLUTION TANK



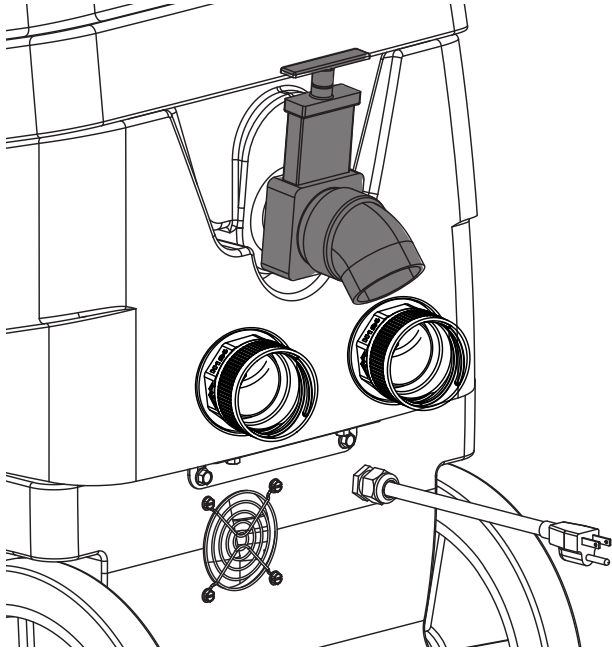
Lift lid and manually fill the solution tank or use the easy faucet fill.

## 1000DX-200 SPEEDSTER® FLOAT SWITCH



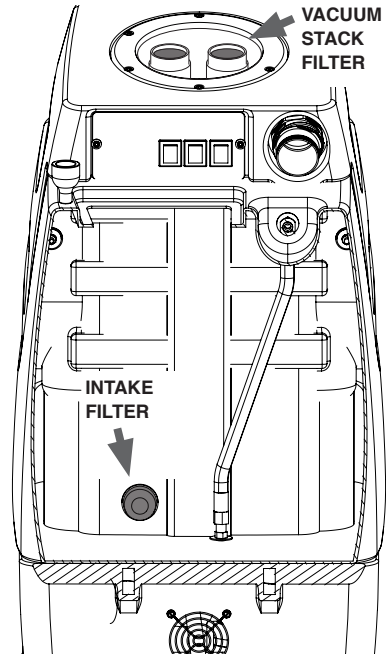
The Speedster® is equipped with an electronic float switch inside the recovery tank. The recovery float switch is activated by rising water to prevent suction into the vacuum stacks damaging the motors.

## 1000DX-200 SPEEDSTER® DUMP VALVE



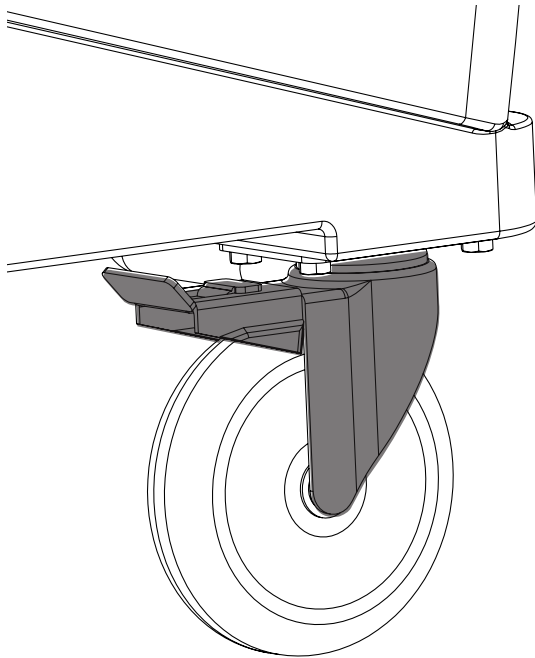
Attach the 45° drain elbow to the drain spout in back. Lift up the dump valve and empty the tank.

## 1000DX-200 SPEEDSTER® FILTER MAINTENANCE



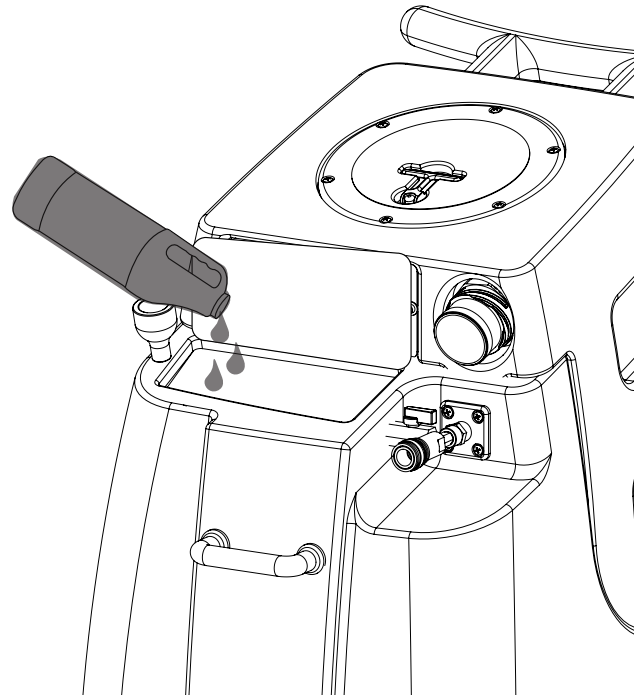
Check and clean the vacuum stack filters and solution tank filter daily by twisting off, rinsing with clean water and replacing.

## 1000DX-200 SPEEDSTER® LOCKING CASTERS



Locking casters help keep the machine remain stationary during use.

## MYTEE® SYSTEM MAINTAINER

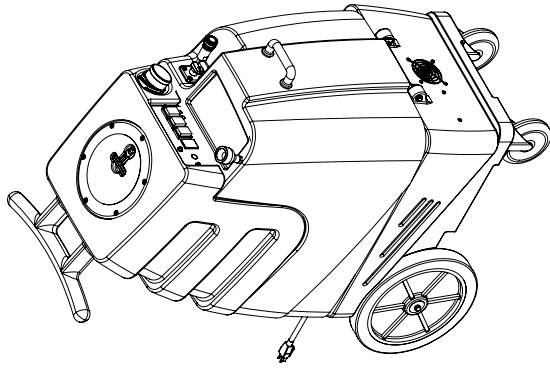


Weekly flushing of the solution system with Mytee® System Maintainer helps keep lines clean and prevents chemical build-up, improving pump life, performance and pressure.



# 1000DX-200 SPEEDSTER PARTS & PRICING

ITEM NO.	PART NO.	DESCRIPTION	QTY.	MSRP	ITEM NO.	PART NO.	DESCRIPTION	QTY.	MSRP																																				
1	H304	screw, #8 x 5/8 phill oval, s/s	14	\$0.99 ea	56	PH634-36	sol hose, 1/4", silicone braided, clear	1	\$6.49 ft																																				
2	H296	guard, cooling fan, wire	2	\$2.99 ea	57	H485	handle, aluminum grip, black	1	\$6.99 ea																																				
3	H186	screw, 10-32 x 3/4, phill flat full thread	2	\$0.99 ea	58	H378	bracket, front hinge, sp/fb	1	\$8.99 ea																																				
4	E370	controller, water level, dual pump or vac	1	\$133.99 ea	59	B119A	filter, strainer, 1/2"	1	\$6.49 ea																																				
5	H273	nuf. kep. #10-32 zinc	8	\$0.99 ea	60	B210	bushing, brass, 1/2" mpt x 3/8" fpt, hex	1	\$2.49 ea																																				
6	H216	nuf. lock, 1/4-20, nylon insert, s/s	10	\$0.99 ea	61	B216	ripple, brass, 3/8" x close	1	\$1.99 ea																																				
7	H210	washer, 1/4" flat, s/s	22	\$0.99 ea	62	H226	spout, drain, 45 degree	1	\$3.19 ea																																				
8	H342	bolt, 1/4-20 x 1" hex head, s/s	8	\$0.99 ea	63	H225	valve, drain, 1-1/2"	1	\$20.99 ea																																				
9	H666	caster, 5". Black hub & gray tread	2	\$23.19 ea	64	P733	vac tank	1	\$190.99 ea																																				
10	H371	axle, 18.03" x .50" dia	1	\$9.99 ea	65	H314	nuf. lock, 1-1/2", steel	2	\$1.99 ea																																				
11	H254	washer, axle, cut 1/2" id	4	\$0.99 ea	66	PH633-03	pipe, pvc, 1-1/2"	4	\$4.99/ft																																				
12	H251	wheel, 12"	2	\$41.99 ea	67	PH633-4	pipe, pvc, 1-1/2"	2	\$4.99/ft																																				
13	H042	c-clip, 12mm, external	2	\$0.99 ea	68	P502	adapter, 1.5" pvc, fsip x fsip	2	\$5.00 ea																																				
14	H221	nuf. lock, 1/2" steel	1	\$1.99 ea	69	G097	screen, mesh filter, 1-1/2" dia	2	\$4.99 ea																																				
15	H220	fitting, strain relief, cord	1	\$3.19 ea	70	G003	filter, foam, 2" x 50" o.d.	2	\$1.99 ea																																				
16	E550	power cord, pigtail, 30', 12/3, black	1	\$11.49 ea	71	PH633-1	pipe, pvc, 1-1/2"	2	\$4.99 ft																																				
17	P731	base	1	\$141.99 ea	72	P503	adapter, 1.5" pvc, 45 deg, fsip x fsip	4	\$3.29 ea																																				
18	H202	bolt, 1/4-20 x 3/4" hex head, s/s	6	\$0.99 ea	73	P500	adapter, pvc, 1-1/2" mpt x 1-1/2" fms	2	\$2.99 ea																																				
19	PH615-26	sol hose, 1/2" kurt 100psi	1	\$8.99/ft	74	G090	lid, vac tank, clear, 7"	1	\$36.99 ea																																				
20	B173	ferrule, 1/2", brass	2	\$0.99 ea	75	G091	gasket, 7", vac lid	1	\$11.99 ea																																				
21	B160	adapter, brass, 1/2" barb x 3/8" fsw, ball end	1	\$3.49 ea	76	A926	elbow, inlet assembly 2"	1	\$15.99 ea																																				
22	B186	elbow, brass, 90 deg, 3/8" mpt x 3/8" fmpf	1	\$8.99 ea	77	H135	Cuff-Lynx, 2" m cuff x 2" mpt	1	\$3.99 ea																																				
23	AH120	sol hose, 28" x 1/4", 1/4 fpt	2	\$35.49 ea	78	H765	plug, vent, heyco, 1/2"	2	\$0.99 ea																																				
24	B136	elbow, brass, 90 deg, 1/4" mpt x 1/4" mpt	1	\$4.99 ea	79	E515	switch, rocker, 2 position	3	\$13.99 ea																																				
25	B105	bushing, brass, 3/8" mpt x 1/4"	1	\$3.19 ea	80	P967A	plug	1	\$1.99 ea																																				
26	H299	washer, 1/16" id x 1-1/2" od x .075, s/s	4	\$0.99 ea	81	H389	screw, 10-32 x 1/2" SHCS, alloy	3	\$0.99 ea																																				
27	H222	screw, 10-32 x 1-1/4" phill pan head, s/s	4	\$0.99 ea	82	H612	Washer, #8, flat regular	3	\$0.99 ea																																				
28	C322D	pump, 220psi, diaphragm, 1.5V	1	\$208.99 ea	83	H434	plug, vent, heyco, 1/2"	1	\$4.48 ea																																				
29	B172	elbow, brass, 90 deg, 1/2" barb x 3/8" mpt	1	\$9.49 ea	84	H348	plate, switch, 1000DX-200	1	\$6.99 ea																																				
30	H912	bracket, rear, fb/spy	1	\$9.99 ea	85	B156	nut, 1/4" npt	1	\$1.99 ea																																				
31	H770	bolt, 1/4-20 x 1/2" serrated hex flange, zinc	8	\$0.99 ea	86	H212	flat washer, 9/16" ID x 1 1/16" OD, AN960-C916	1	\$0.99 ea																																				
32	H307	washer, star, 1/4" steel zinc	2	\$0.99 ea	87	E373	level switch, vacuum shut-off, rear threads	1	\$13.99 ea																																				
33	G052	washer, buna 1-1/8" od x 3/16" id	6	\$1.99 ea	88	B207	elbow, brass, 90 deg, 1/4" fpt x 1/4" fpt	1	\$5.99 ea																																				
34	H211	washer, 1/4" id x 1" od, flat, s/s	6	\$0.99 ea	89	H390A	bracket, "L"	2	\$6.99 ea																																				
35	H124	Cuff-Lynx, 2" mpt x 2" female cuff	2	\$3.99 ea	90	H096	bolt, hex, 1/4-20 x 4", zinc finish	6	\$0.99 ea																																				
36	H194	coupler, 2" dia x 2.5" length, s/s	2	\$10.00 ea	91	H503	vac support, 3 stage, 3.25", no thrs	6	\$3.99 ea																																				
37	H217	clamp, hose, 2-1/4 dia	4	\$1.49 ea	92	C302LA	vac motor, 3 stage, low amp	2	\$139.99 ea																																				
38	PH628-24	vac hose, 2", wire reinforced	1	\$8.99/ft	93	G004	gasket, vacuum motor	2	\$8.99 ea																																				
39	H213	washer, 1/4" lock, s/s	10	\$0.99 ea	<b>ITEMS NOT SHOWN</b> <table border="1"> <thead> <tr> <th>PART NO.</th> <th>DESCRIPTION</th> <th>QTY</th> <th>MSRP</th> </tr> </thead> <tbody> <tr> <td>E366</td> <td>harness, electrical</td> <td>1</td> <td>\$68.99 ea</td> </tr> <tr> <td>G008</td> <td>piglet filler</td> <td>1</td> <td>\$6.29 pak</td> </tr> <tr> <td>H375</td> <td>hanger, wire famed, hose</td> <td>1</td> <td>\$10.99 ea</td> </tr> <tr> <td>H230</td> <td>screw, 10-32 x 1/2", phill pan head, s/s</td> <td>2</td> <td>\$0.99 ea</td> </tr> <tr> <td>H141</td> <td>Cuff-Lynx, 2" x 1.5" reducer</td> <td>1</td> <td>\$3.99 ea</td> </tr> <tr> <td>H110</td> <td>Cuff-Lynx, 2" hose x 2" fem swivel Cuff-Lynx</td> <td>1</td> <td>\$3.99 ea</td> </tr> <tr> <td>E530</td> <td>power cord, ext 50', 12/3 black</td> <td>1</td> <td>\$74.99 ea</td> </tr> <tr> <td>P568A</td> <td>cord lock, s-type</td> <td>1</td> <td>\$8.99 ea</td> </tr> </tbody> </table>					PART NO.	DESCRIPTION	QTY	MSRP	E366	harness, electrical	1	\$68.99 ea	G008	piglet filler	1	\$6.29 pak	H375	hanger, wire famed, hose	1	\$10.99 ea	H230	screw, 10-32 x 1/2", phill pan head, s/s	2	\$0.99 ea	H141	Cuff-Lynx, 2" x 1.5" reducer	1	\$3.99 ea	H110	Cuff-Lynx, 2" hose x 2" fem swivel Cuff-Lynx	1	\$3.99 ea	E530	power cord, ext 50', 12/3 black	1	\$74.99 ea	P568A	cord lock, s-type	1	\$8.99 ea
PART NO.	DESCRIPTION	QTY	MSRP																																										
E366	harness, electrical	1	\$68.99 ea																																										
G008	piglet filler	1	\$6.29 pak																																										
H375	hanger, wire famed, hose	1	\$10.99 ea																																										
H230	screw, 10-32 x 1/2", phill pan head, s/s	2	\$0.99 ea																																										
H141	Cuff-Lynx, 2" x 1.5" reducer	1	\$3.99 ea																																										
H110	Cuff-Lynx, 2" hose x 2" fem swivel Cuff-Lynx	1	\$3.99 ea																																										
E530	power cord, ext 50', 12/3 black	1	\$74.99 ea																																										
P568A	cord lock, s-type	1	\$8.99 ea																																										
40	H215	nuf. hex, 1/4-20 s/s	2	\$0.99 ea																																									
41	PH612-60	clear tubing, 1/2" OD x 3/8" ID, faucet fill	1	\$1.99/ft																																									
42	B241	adapter, brass, 3/8" barb x 1/4" mpt	1	\$1.99 ea																																									
43	H718	faucet fill	1	\$10.99 ea																																									
44	G018	cover, sol tank (sp)	1	\$12.99 ea																																									
45	P732	sol tank	1	\$141.99 ea																																									
46	H768	bolt, 1/4-20 x 3/4" serrated hex flange, zinc	2	\$0.99 ea																																									
47	B107	nipple, brass, 1/4"m, hex	3	\$3.19 ea																																									
48	H484	plate, mounting, GD	1	\$4.99 ea																																									
49	H256	screw, 10-32 x 3/4" phill pan head, zinc	4	\$0.99 ea																																									
50	B142	coupling, brass, 1/4" fpt x 1/4" fpt	1	\$4.49 ea																																									
51	B135	tee, brass, 1/4" mpt	1	\$5.49 ea																																									
52	B102	qd, brass, 1/4" f x 1/4" fpt	1	\$17.99 ea																																									
53	B656	ball valve, 1/4"	1	\$13.49 ea																																									
54	B109	adapter, brass, 1/4" barb x 1/4" mpt	1	\$1.99 ea																																									
55	B170	ferrule, 1/4" brass	1	\$0.99 ea																																									

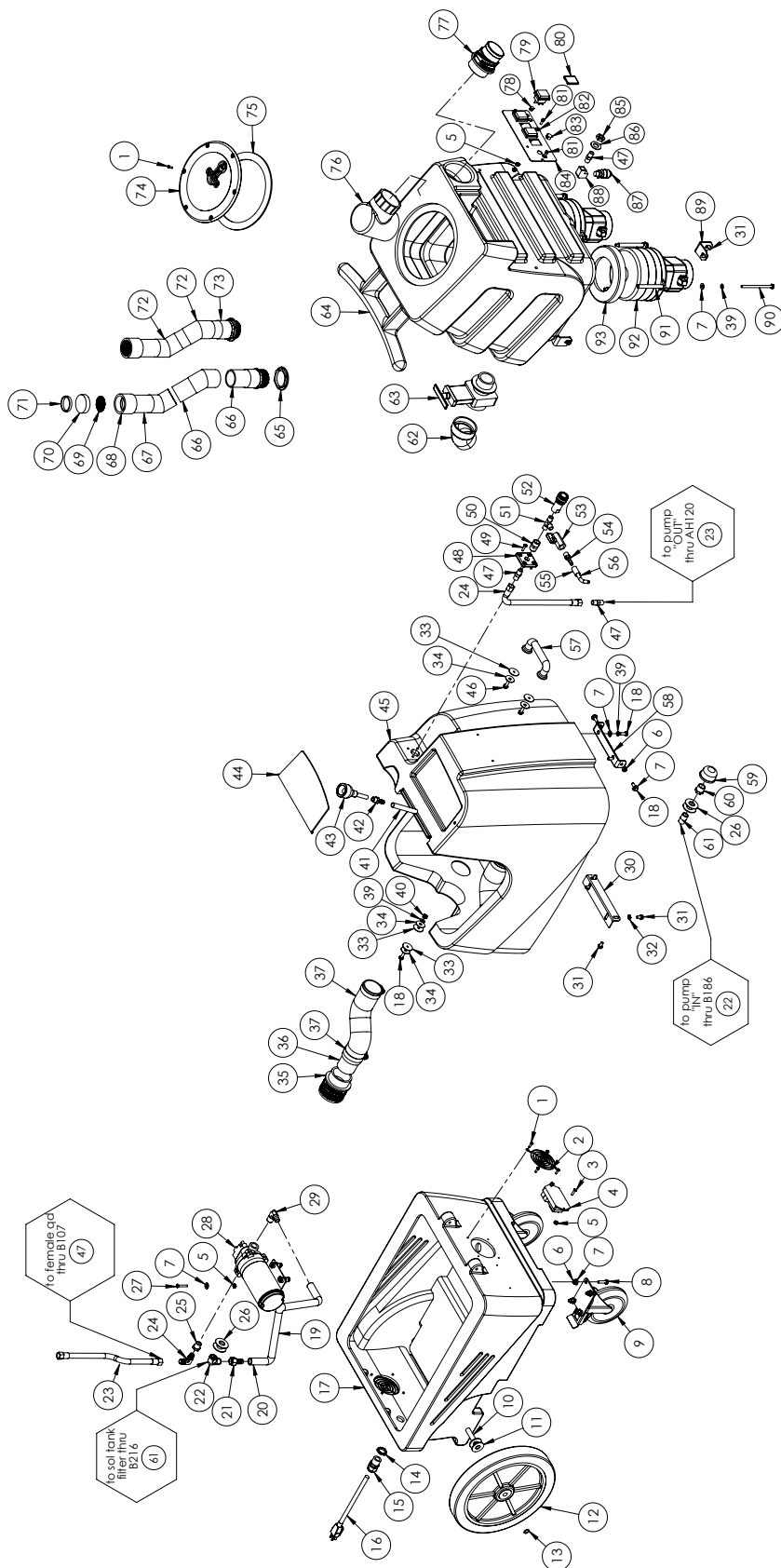


**MYTEE PRODUCTS, INC.**  
 888.691.1911  
 DATE: 10/27/13  
 DRAWN: M. LORBERG  
 CHECKED: [ ]  
 COMMENTS: [ ]  
 TITLE: [ ]  
 PROFITABLE AND COMMERICAL  
 THE INFORMATION CONTAINED HEREIN IS THE PROPERTY OF MYTEE PRODUCTS, INC. AND IS TO BE USED ONLY FOR THE PURCHASE OF MYTEE PRODUCTS, INC.'S  
 SFE DWG. NO. **C 1000DX-200**  
 REV **G**  
 SCALE: 1:48  
 QUANTITY: [ ]  
 SHEET 1 OF 3

Order parts at: [www.mytee.com/products/product.php?id=1000DX](http://www.mytee.com/products/product.php?id=1000DX)

Part prices are subject to change.

# 1000DX-200 SPEEDSTER PARTS & PRICING

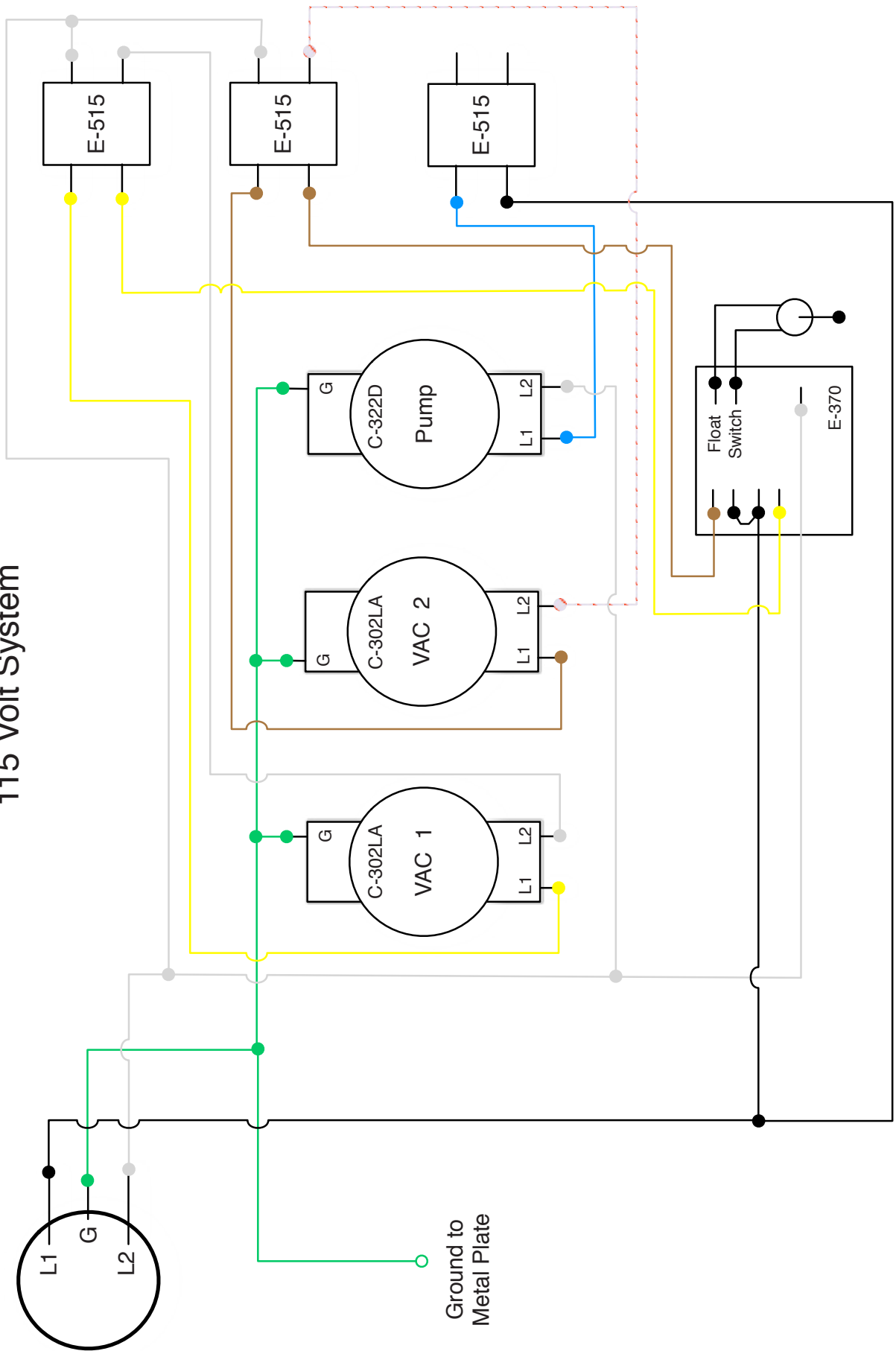


DATE	10/2013
NAME	MJL/BJP/MS
MYTEE PRODUCTS, INC. 888.592.1191	
TITLE	speedster
SIZE (DWG. NO.)	C 1000DX-200
REV	G
SCALE	1:148
SHEET	2 OF 3

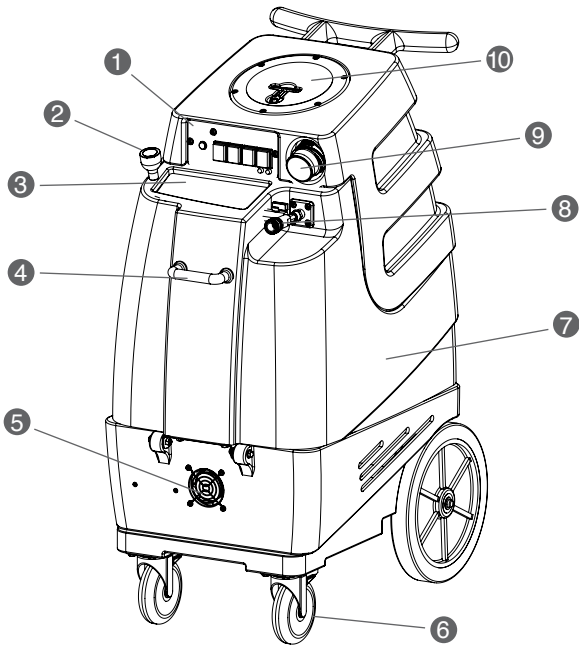
PROPERTY AND CONFIDENTIAL INFORMATION OF MYTEE PRODUCTS, INC. ANY REPRODUCTION OR DISSEMINATION OF THIS INFORMATION WITHOUT THE WRITTEN PERMISSION OF MYTEE PRODUCTS, INC. IS PROHIBITED.

# 1000DX-200 SPEEDSTER WIRING SCHEMATIC

1000DX-200  
115 Volt System

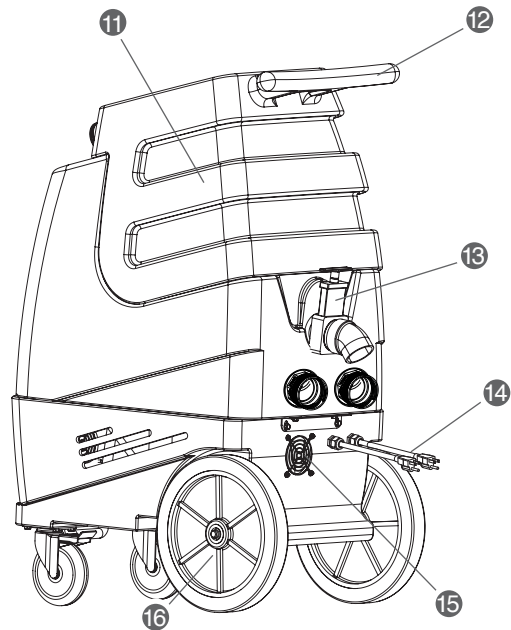


1001DX-200 SPEEDSTER® FRONT



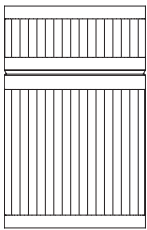
- |                      |                            |
|----------------------|----------------------------|
| 1. Switch plate      | 6. 5" locking casters      |
| 2. Easy faucet fill  | 7. Solution tank           |
| 3. Solution tank lid | 8. Female quick disconnect |
| 4. Front handle      | 9. 2" Male Cuff-Lynx™      |
| 5. Front vent        | 10. Recovery lid           |

1001DX-200 SPEEDSTER® BACK

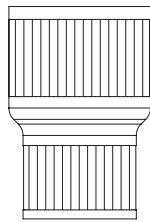


- |                      |                     |
|----------------------|---------------------|
| 11. Recovery tank    | 16. 12" Rear wheels |
| 12. Push handle      |                     |
| 13. Drain valve      |                     |
| 14. Dual power cords |                     |
| 15. Back vent        |                     |

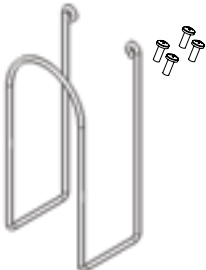
1001DX-200 SPEEDSTER® ITEMS INCLUDED



H110 Cuff-Lynx™  
2" Hose Adapter



H141 Cuff-Lynx™  
2" Hose Reducer to 1.5"



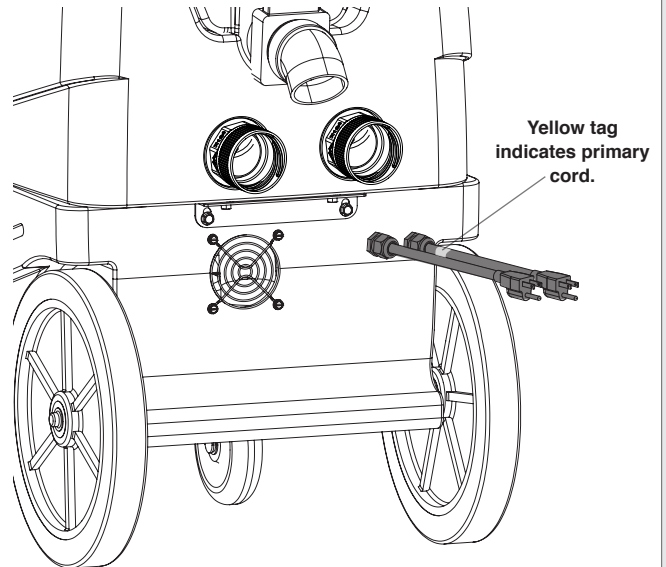
H375- Hose Hanger  
(4) screws



H226 Drain Elbow

1001DX-200 SPEEDSTER® CORDS

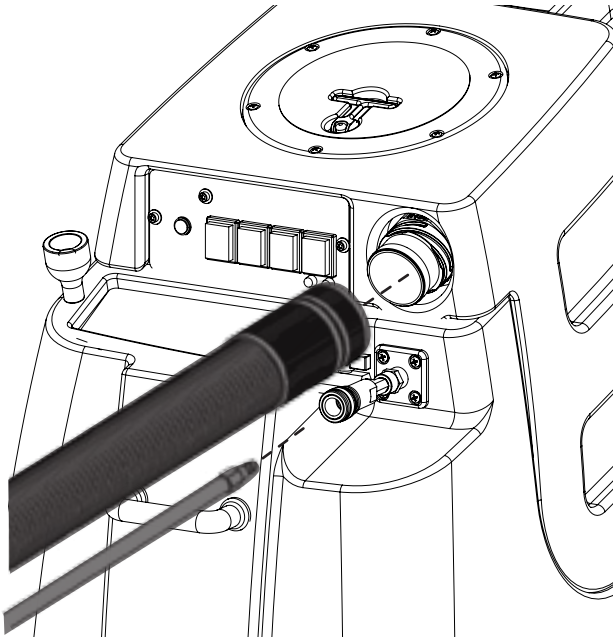
Left cord: Powers Vac 2 & Heater 2.  
Right cord: Powers Vac 1, Heater 1 & Pump.



Plug each power cord into a separate, 20A grounded wall outlet. **Outlets must be on two separate breakers.** When the amber light on the switch plate illuminates, the machine is on separate circuits (not necessarily 20A circuits). You can identify the primary cord by the yellow tag.

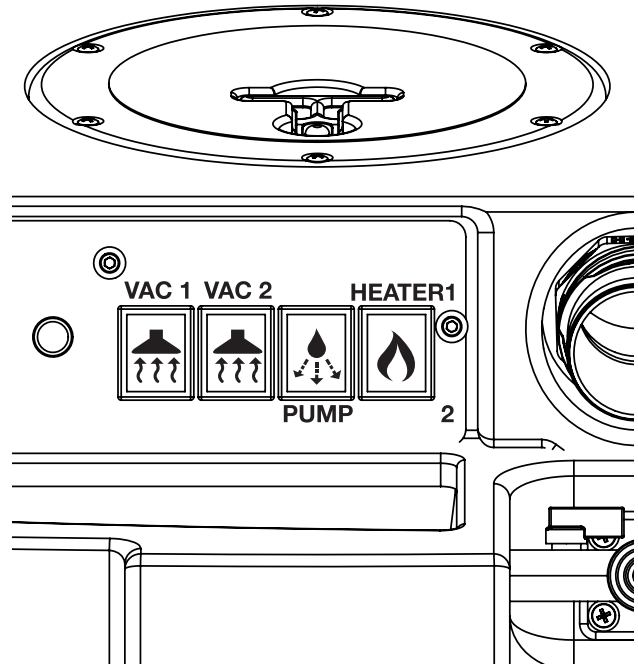
# 1001DX-200 SPEEDSTER

## 1001DX-200 SPEEDSTER® VAC/SOL HOSE CONNECTIONS



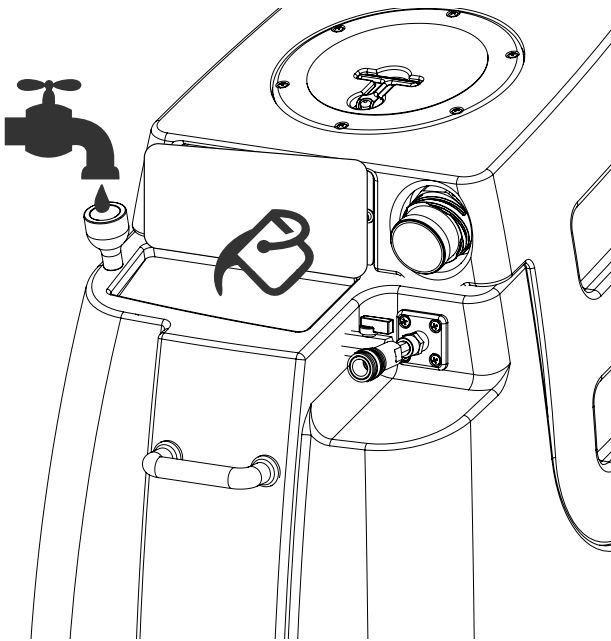
Attach one end of a solution hose to a wand or other tool, the other end to the Speedster's® front quick disconnect. Attach one end of a vacuum hose to the tool, the other end to the Speedster's® Cuff-Lynx™ vacuum hose port.

## 1001DX-200 SPEEDSTER® SWITCHES



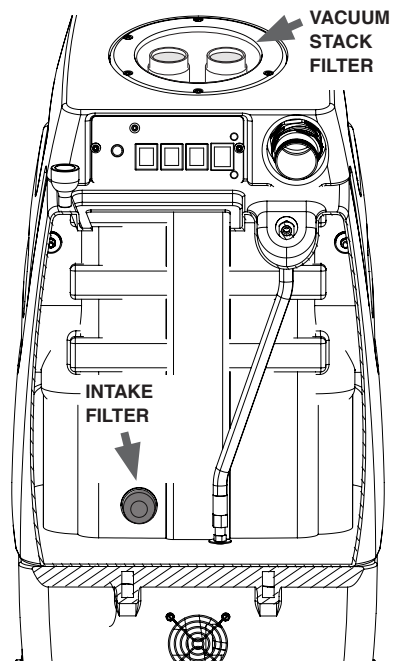
"On" switches are located on the plate in front of the machine. To use vacuums, turn on Vac 1 and Vac 2 switches. To use pump, turn on Pump switch. To activate heat, turn on Heater switch. Heater 1 for 1000 watts of heat. Heater 2 for 2000 watts of heat.

## 1001DX-200 SPEEDSTER® FILL SOLUTION TANK



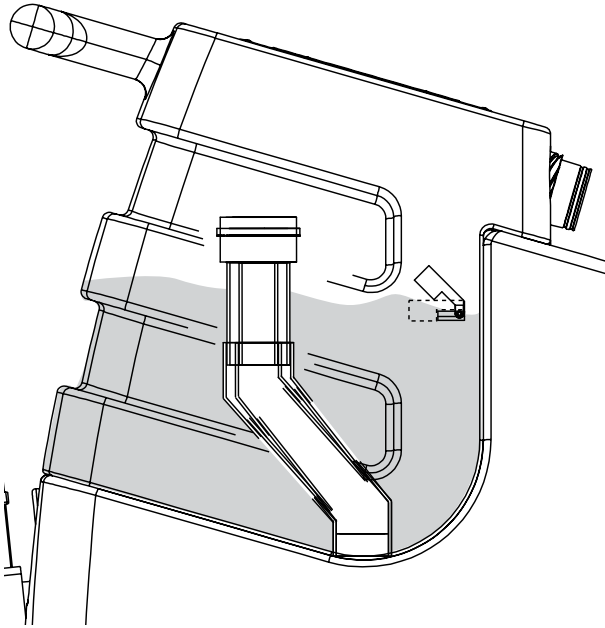
Lift lid and manually fill the solution tank or use the easy faucet fill.

## 1001DX-200 SPEEDSTER® FILTER MAINTENANCE



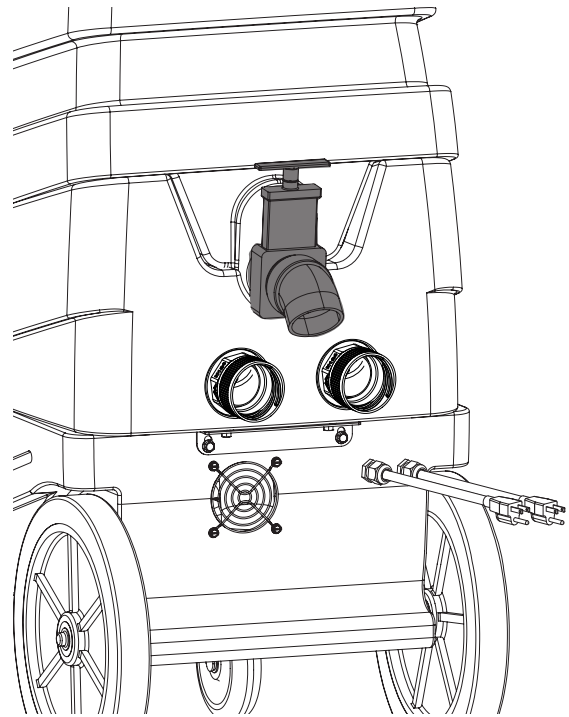
Check and clean the vacuum stack filters and solution tank filter daily by twisting off, rinsing with clean water and replacing.

## 1001DX-200 SPEEDSTER® FLOAT SWITCH



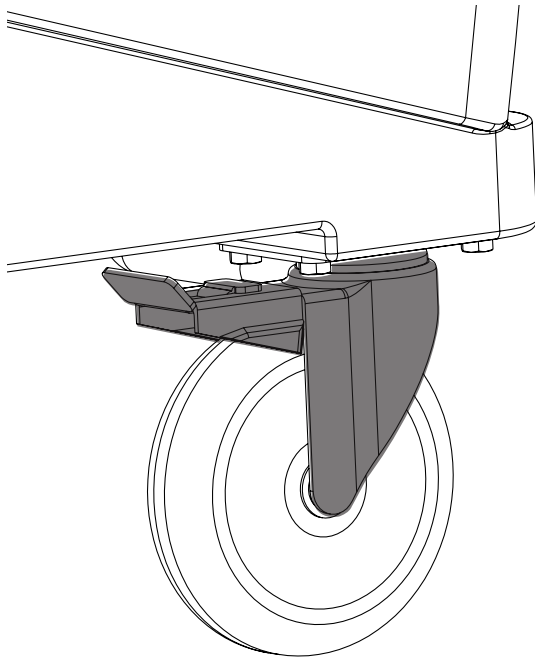
The Speedster® is equipped with an electronic float switch inside the recovery tank. The recovery float switch is activated by rising water to prevent suction into the vacuum stacks damaging the motors.

## 1001DX-200 SPEEDSTER® DUMP VALVE



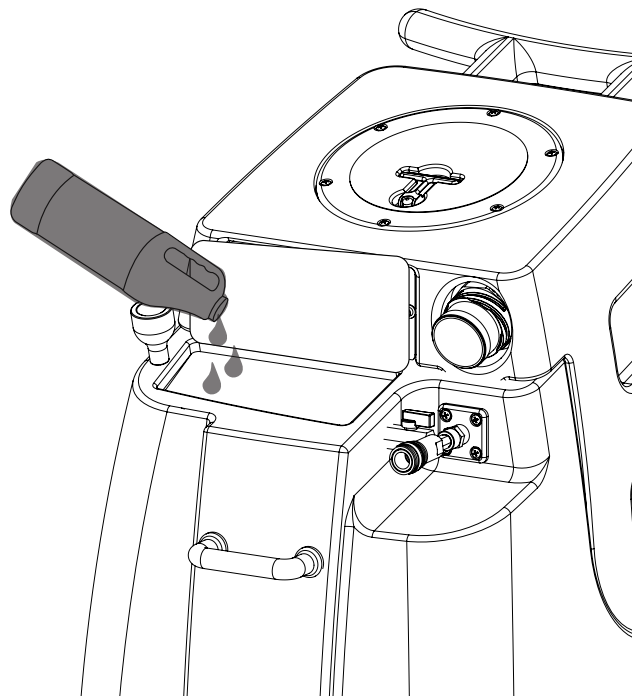
Attach the 45° drain elbow to the drain spout in back. Lift up the dump valve and empty the tank.

## 1001DX-200 SPEEDSTER® LOCKING CASTERS



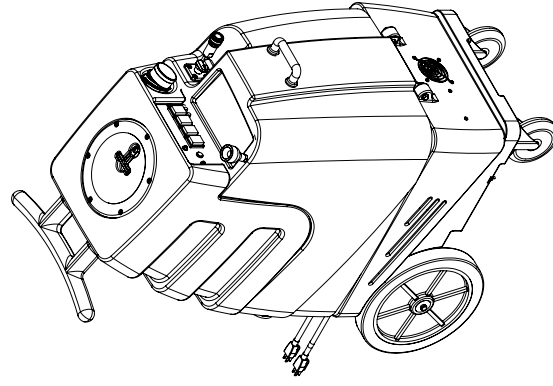
Locking casters help keep the machine remain stationary during use.

## MYTEE® SYSTEM MAINTAINER



Weekly flushing of the solution system with Mytee® System Maintainer helps keep lines clean and prevents chemical build-up, improving pump life, performance and pressure.

# 1001DX-200 SPEEDSTER PARTS & PRICING



ITEM NO.	PART NO.	DESCRIPTION	QTY.	MSRP	ITEM NO.	PART NO.	DESCRIPTION	QTY.	MSRP
1	H304	screw, #8 x 5/8 phill oval, s/s	14	\$0.99 ea	63	B656	ball valve, 1/4"	1	\$13.49 ea
2	H296	guard, cooling fan, wire	2	\$2.99 ea	64	B109	adapter, brass, 1/4" barb x 1/4" mpt	1	\$1.99 ea
3	H186	screw, 10-32 x 3/4, phill flat top thread	2	\$0.99 ea	65	B170	ferrule, 1/4" brass	2	\$0.99 ea
4	E370	controller, water level, dual pump or vac	1	\$133.99 ea	66	PH634-20	sol hose, 1/4", silicone braided, clear	1	\$6.49 ft
5	H273	nut, kep. #10-32 zinc	10	\$0.99 ea	67	H485	handle, aluminum grip, black	1	\$6.99 ea
6	H216	nut, lock, 1/4-20, nylon insert, s/s	10	\$0.99 ea	68	H201	bolt, 1/4-20 x 1/2", hex head, zinc	2	\$0.99 ea
7	H210	washer, 1/4" flat, s/s	22	\$0.99 ea	69	H378	bracket, front hinge, sp/fib	1	\$8.99 ea
8	H342	bolt, 1/4-20 x 1" hex head, s/s	8	\$0.99 ea	70	H316	bolt, 1/4x1-1/2", hex head zinc	2	\$0.99 ea
9	H666	caster, 5", Black hub & gray tread	2	\$23.19 ea	71	B119A	filter, strainer, 1/2"	1	\$6.49 ea
10	P731	base	1	\$141.99 ea	72	B210	bushing, brass, 3/8" x close	1	\$2.49 ea
11	H371	axle, 18.03" x .50" dia	1	\$9.99 ea	73	B216	nipple, brass, 3/8" x close	1	\$1.99 ea
12	H254	washer, axle, cut 1/2" id	4	\$0.99 ea	74	H226	spout, drain, 45 degree	1	\$3.19 ea
13	H251	wheel, 12"	2	\$41.99 ea	75	H225	valve, drain, 1-1/2"	1	\$20.99 ea
14	H042	c-clip, 12mm, external	2	\$0.99 ea	76	P733	vac tank	1	\$190.99 ea
15	AH105	hose, pulse, 3/8" x 17-1/2", (OAL), f	1	\$31.99 ea	77	A926	elbow, inlet assembly 2"	1	\$15.99 ea
16	AH156	hose, 3/8", (OAL), f x fs, 5400 gray	1	\$23.99 ea	78	PH633-4	pipe, pvc, 1-1/2"	2	\$4.99/ft
17	B103	elbow, brass, 90 deg, 1/4" mpt x 1/4" fpt	2	\$4.49 ea	79	PH633-03	pipe, pvc, 1-1/2"	2	\$4.99/ft
18	H256	screw, 10-32 x 3/4" phill pan head, zinc	6	\$0.99 ea	80	PH633-06	pipe, pvc, 1-1/2"	2	\$4.99 ft
19	H528	bracket, heater mounting, dual	1	\$29.99 ea	81	P502	adapter, 1.5" pvc, fs/tp x fs/tp	2	\$5.00 ea
20	E519	heating rod, 1000W, 115V	2	\$51.99 ea	82	G097	screen, mesh filter, 1-1/2" dia	2	\$4.99 ea
21	B142	coupling, brass, 1/4" fpt x 1/4" fpt	2	\$4.49 ea	83	G003	filter, foam, 2" x .50" o.d.	2	\$1.99 ea
22	B108	valve, brass, 1/4" check	1	\$13.99 ea	84	PH633-1	pipe, pvc, 1-1/2"	2	\$4.99 ft
23	H274	screw, 6 x 3/16, phill pan head, self-tapping	10	\$0.99 ea	85	G091	gasket, 7", vac lid	1	\$11.99 ea
24	H903A	heater, aluminum cast, single	2	\$78.99 ea	86	G090	lid, vac tank, clear, 7"	1	\$36.99 ea
25	E573	Thermostat, 200°, Auto, 1/4"	2	\$16.49 ea	87	P503	adapter, 1.5" pvc, 45 deg, fs/tp x fs/tp	4	\$3.29 ea
26	E574	Thermostat, 310°F ± 10°F, Manual, 1/4"	2	\$17.99 ea	88	P520	adapter, pvc, 1-1/2" mpt x 1-1/2" fms	2	\$2.99 ea
27	AH120	sol hose, 28" x 1/4", 1/4" fpt	2	\$35.49 ea	89	H314	nut, lock, 1-1/2", steel	2	\$1.99 ea
28	H221	nut, lock, 1/2" steel	2	\$1.99 ea	90	H135	Cuff-Lynx, 2" m cuff x 2" mpt	1	\$3.99 ea
29	H220	filing, strain relief, cord	2	\$3.19 ea	91	E511	light, red, 250v	2	\$5.99 ea
30	E550	power cord, pigtail, 30', 12/3, black	2	\$11.49 ea	92	E516	switch, rocker, 3 position	1	\$14.99 ea
31	PH615-26	sol hose, 1/2" kun 100psi	1	\$8.99/ft	93	E515	switch, rocker, 2 position	3	\$13.99 ea
32	B160	adapter, brass, 1/2" barb x 3/8" fsw, ball end	1	\$3.49 ea	94	E512B	light, indicator, 125v (amber)	1	\$9.99 ea
33	B186	elbow, brass, 90 deg, 3/8" mpt x 3/8" fmp	1	\$8.99 ea	95	H889	screw, 10-32 x 1/2" SHCS, alloy	4	\$0.99 ea
34	B136	elbow, brass, 90 deg, 1/4" mpt x 1/4" mpt	1	\$4.99 ea	96	H612	Washer, #8, flat regular	3	\$0.99 ea
35	B105	bushing, brass, 3/8" mpt x 1/4"	1	\$3.19 ea	97	H348	plate, switch, 1000DX-200	1	\$6.99 ea
36	H299	washer, 1/16" id x 1-1/2" od x .075, s/s	4	\$0.99 ea	98	B156	nut, 1/4" npt	1	\$1.99 ea
37	H222	screw, 10-32 x 1-1/4" phill pan head, s/s	4	\$0.99 ea	99	H212	flat washer, 9/16" ID x 1 1/16" OD, AN960-C916	2	\$0.99 ea
38	C322D	pump, 220psi, diaphragm, 115V	1	\$208.99 ea	100	E373	level switch, vacuum shut-off, rear threads	1	\$13.99 ea
39	B172	elbow, brass, 90 deg, 1/2" barb x 3/8" mpt	1	\$9.49 ea	101	B207	elbow, brass, 90 deg, 1/4" fpt x 1/4" fpt	1	\$5.99 ea
40	B173	ferrule, 1/2", brass	2	\$0.99 ea	102	H390A	bracket, "I"	2	\$6.99 ea
41	H912	bracket, rear, fib/bsp	1	\$9.99 ea	103	H096	bolt, hex, 1/4-20 x 4", zinc Finish	6	\$0.99 ea
42	H770	bolt, 1/4-20 x 1/2", serrated hex flange, zinc	8	\$0.99 ea	104	H503	vac support, 3 stage, 3.25", no frlds	6	\$3.99 ea
43	H307	washer, star, 1/4" steel zinc	2	\$0.99 ea	105	C302LA	vac motor, 3 stage, low amp	2	\$139.99 ea
44	G052	washer, buna 1-1/8" od x 3/16" id	6	\$1.99 ea	106	G004	gasket, vacuum motor	2	\$8.99 ea
45	H211	washer, 1/4" id x 1" od, flat, s/s	6	\$0.99 ea	107	E564	controller, circuit light	1	\$62.99 ea
46	H203	bolt, 1/4-20 x 1-1/4"	2	\$0.99 ea					
47	H124	Cuff-Lynx, 2" mpt x 2" female cuff	2	\$3.99 ea					
48	H194	coupler, 2" dia x 2.5" length, s/s	2	\$10.00 ea					
49	H217	clamp, hose, 2-1/4 dia	4	\$1.49 ea					
50	PH628-15	vac hose, 2", wire reinforced	2	\$8.99/ft					
51	H213	washer, 1/4" lock, s/s	10	\$0.99 ea					
52	H215	nut, hex, 1/4-20 s/s	2	\$0.99 ea					
53	PH612-60	clear tubing, 1/2" OD x 3/8" ID, faucet fill	1	\$1.99/ft					
54	G018	cover, sol tank (sp)	1	\$12.99 ea					
55	H178	faucet fill	1	\$10.99 ea					
56	B241	adapter, brass, 3/8" barb x 1/4" mpt	1	\$1.99 ea					
57	P732	sol tank	1	\$141.99 ea					
58	H768	bolt, 1/4-20 x 3/4", serrated hex flange, zinc	2	\$0.99 ea					
59	B107	nipple, brass, 1/4" m, hex	3	\$3.19 ea					
60	H484	plate, mounting, QD	1	\$4.99 ea					
61	B135	tee, brass, 1/4" mpt	1	\$5.49 ea					
62	B102	qd, brass, 1/4" x 1/4" fpt	1	\$17.99 ea					

### ITEMS NOT SHOWN

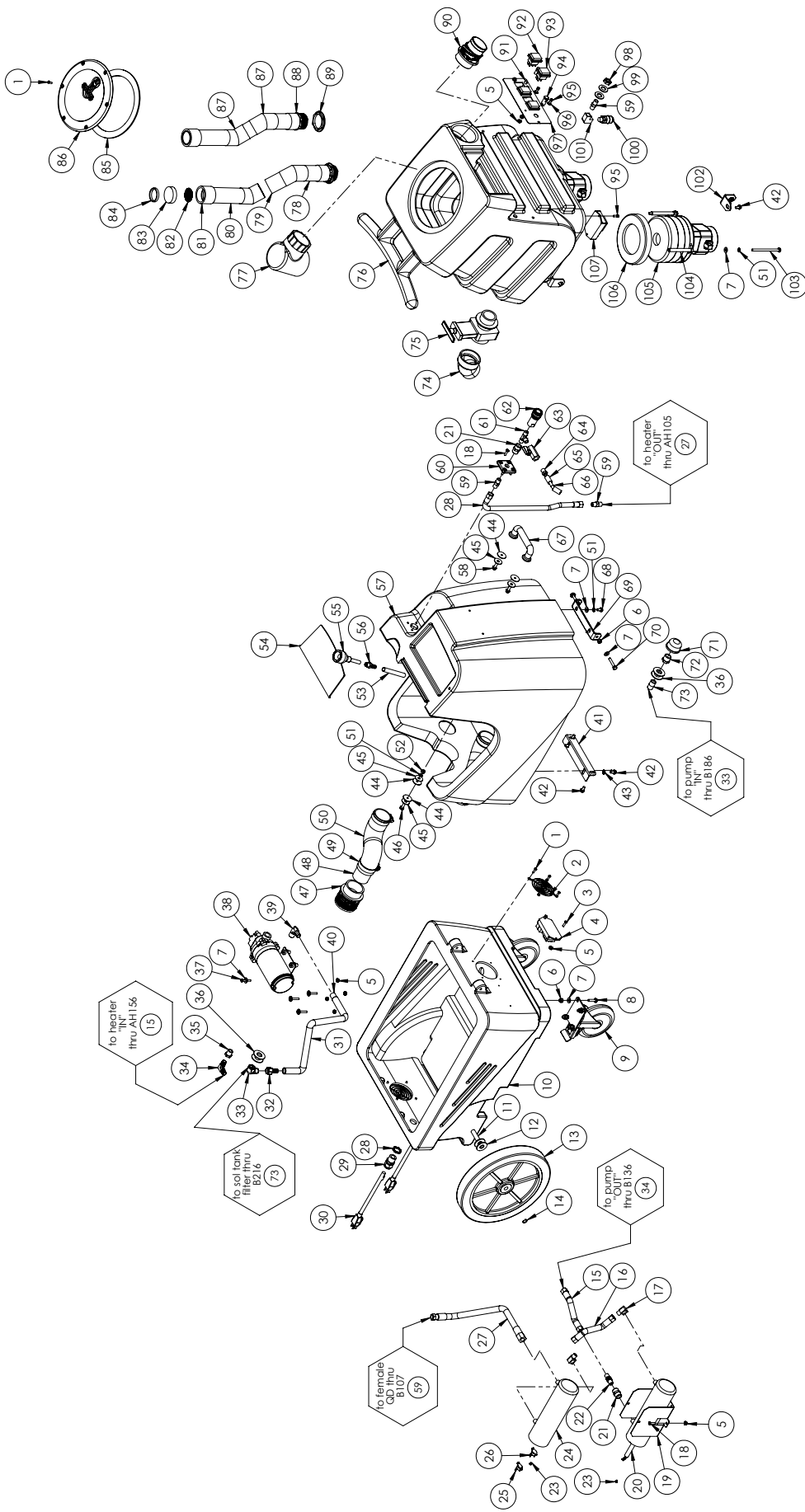
PART NO.	DESCRIPTION	QTY.	MSRP
A996	harness, electrical	1	\$88.99 ea
G008	piglet filter	1	\$6.29 pack
H375	hanger, wire formed, hose	1	\$10.99 ea
H230	screw, 10-32 x 1/2" phill pan head, s/s	2	\$0.99 ea
H141	Cuff-Lynx, 2" x 1.5" reducer	1	\$3.99 ea
H110	Cuff-Lynx, 2" hose x 2" fem swivel Cuff-Lynx	1	\$3.99 ea
E530	power cord, ext 50', 12/3 black	2	\$74.99 ea
P568A	cord lock, s-type	2	\$8.99 ea
P590	cuffies, 1/4" qd, standard pack of 2	1	\$2.99 ea

**MYTEE PRODUCTS, INC.**  
 888.975.1971  
 DATE: 10/2013  
 NAME: M. L. Hubbard  
 CHECKED:

**PROFORM ANS CONSERVATION**  
 1001DX-200 SPEEDSTER  
 MYTEE PRODUCTS, INC. ANY  
 DIMENSIONS ARE APPROXIMATE  
 WITHOUT THE PARTS/ITEMS LISTED  
 INCORPORATED.

TITLE: speedster  
 SIZE DWG. NO. C 1001DX-200  
 REV F  
 SCALE: 1:48 SHEET 1 OF 3

# 1001DX-200 SPEEDSTER PARTS & PRICING

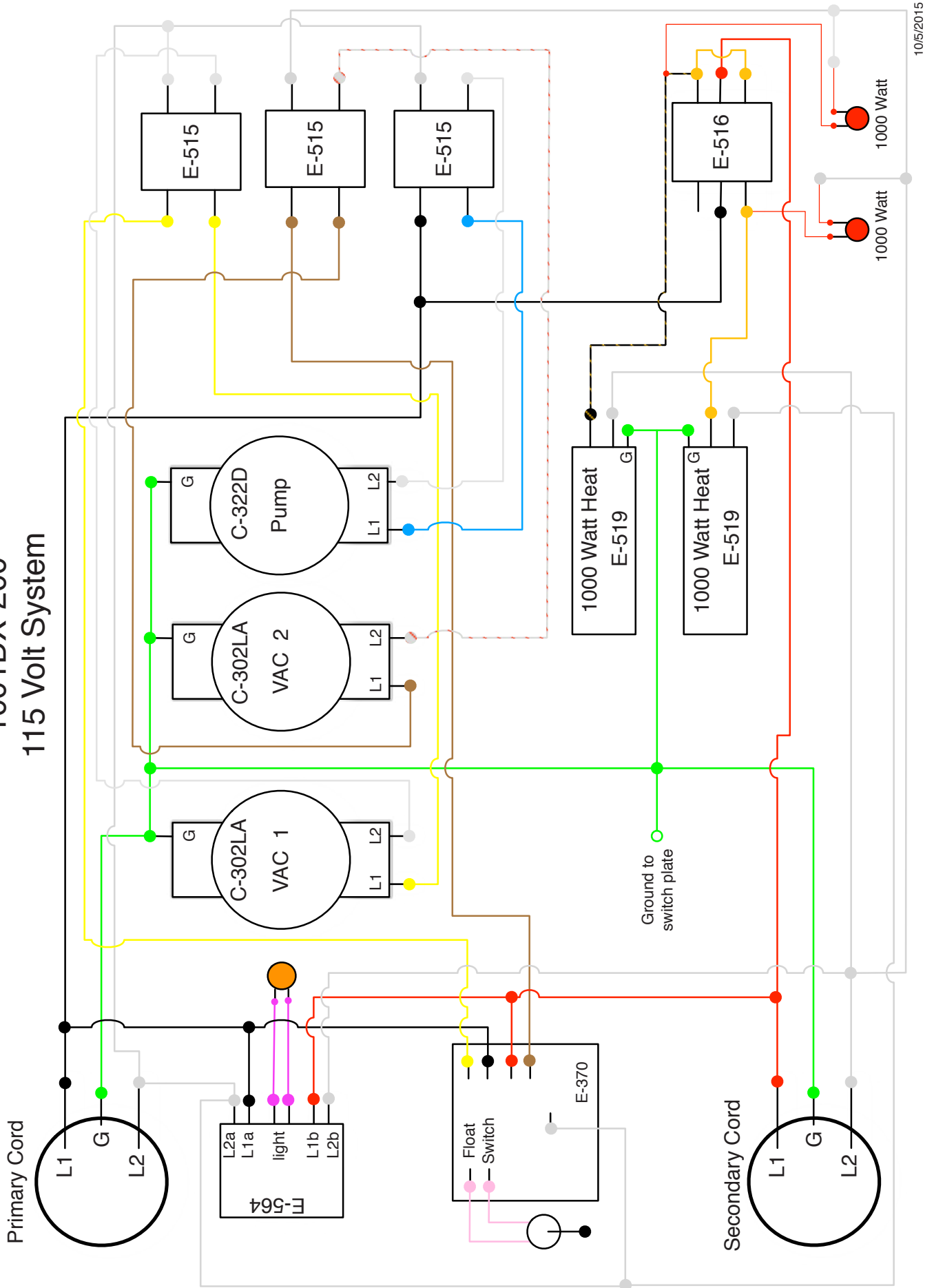


NAME	DATE	MYTEE PRODUCTS, INC.
M.L. Labaree	10/2/03	369675371
TITLE: speedster		
PROPRIETARY AND CONFIDENTIAL THIS DRAWING IS THE SOLE PROPERTY OF MYTEE PRODUCTS, INC. IT IS TO BE USED FOR REPRODUCTION ONLY AS A GUIDE FOR MANUFACTURE. ANY REPRODUCTION OR TRANSMISSION OF THIS DRAWING WITHOUT THE WRITTEN PERMISSION OF MYTEE PRODUCTS, INC. IS PROHIBITED.		
SIZE	DWG. NO.	REV
C	1001DX-200	F
SCALE: 1:48	SCALE: 1:48	SHEET 2 OF 3



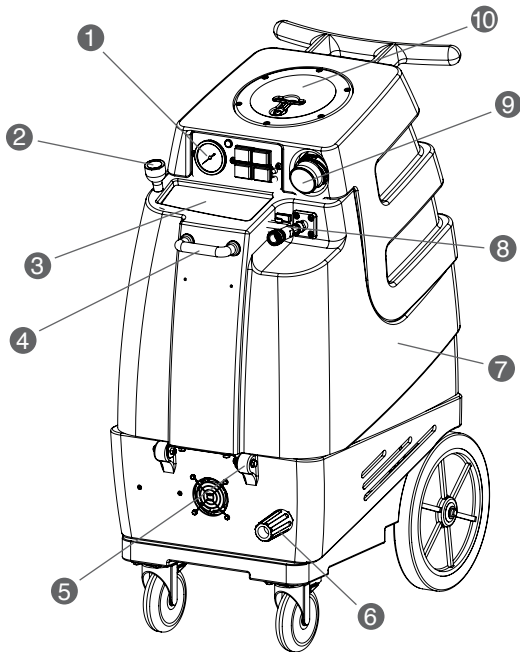
# 1001DX-200 SPEEDSTER WIRING SCHEMATIC

## 1001DX-200 115 Volt System



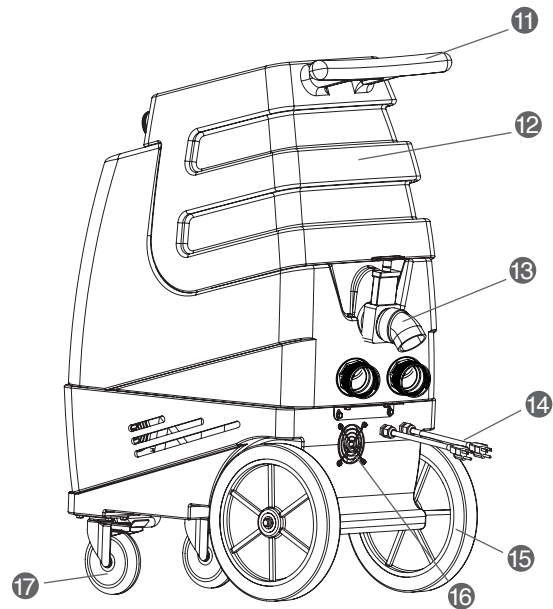
10/5/2015

## 1003DX SPEEDSTER® FRONT



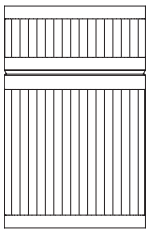
- |                      |                               |
|----------------------|-------------------------------|
| 1. Switch plate      | 6. Pressure Regulator         |
| 2. Easy Faucet Fill  | 7. Solution tank              |
| 3. Solution lid      | 8. Female QD with Prime Valve |
| 4. Front handle      | 9. 2" Male Cuff-Lynx™         |
| 5. Front cooling fan | 10. Recovery lid              |

## 1003DX SPEEDSTER® BACK

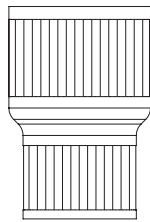


- |                      |                        |
|----------------------|------------------------|
| 11. Push handle      | 16. Back vent          |
| 12. Recovery tank    | 17. 5" locking casters |
| 13. Drain valve      |                        |
| 14. Dual Power cords |                        |
| 15. 12" Rear wheels  |                        |

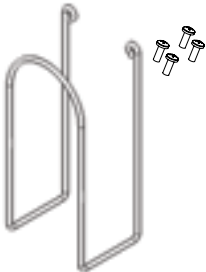
## 1003DX SPEEDSTER® ITEMS INCLUDED



H110 Cuff-Lynx™  
2" Hose Adapter



H141 Cuff-Lynx™  
2" Hose Reducer to 1.5"



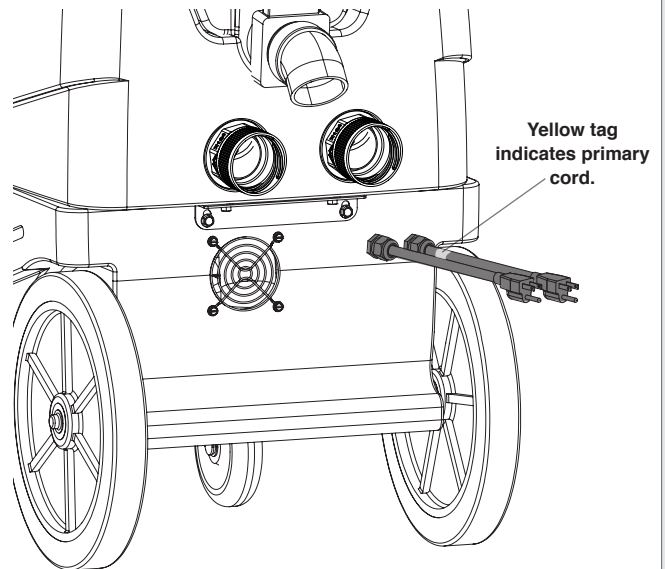
H375- Hose Hanger  
(4) screws



H226 Drain Elbow

## 1003DX SPEEDSTER® CORD

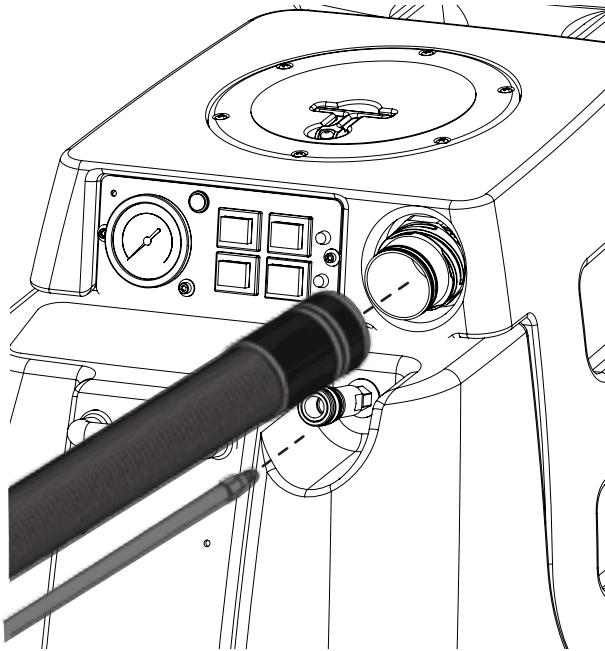
**Left cord: Powers Vac 2 & Heater 2.**  
**Right cord: Powers Vac 1, Heater 1 & Pump.**



Plug each power cord into a separate, 20A grounded wall outlet. **Outlets must be on two separate breakers.** When the amber light on the switch plate illuminates, the machine is on separate circuits (not necessarily 20A circuits). You can identify the primary cord by the yellow tag.

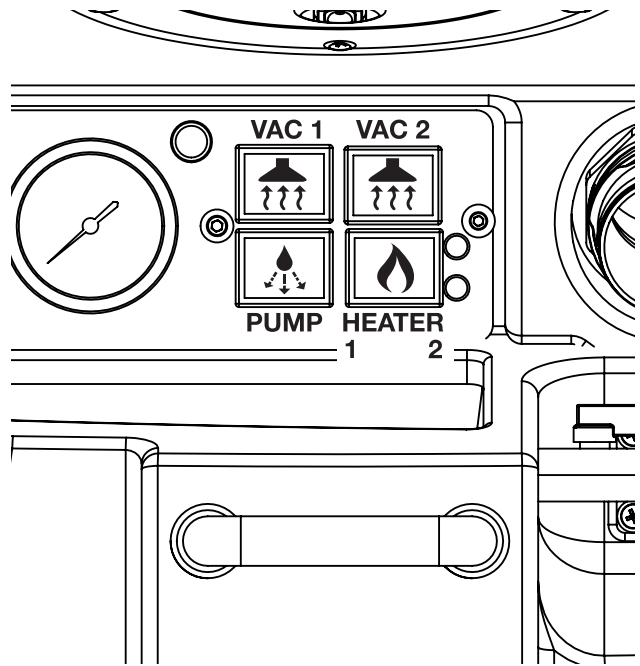
# 1003DX SPEEDSTER

## 1003DX SPEEDSTER® VAC/SOL HOSE CONNECTIONS



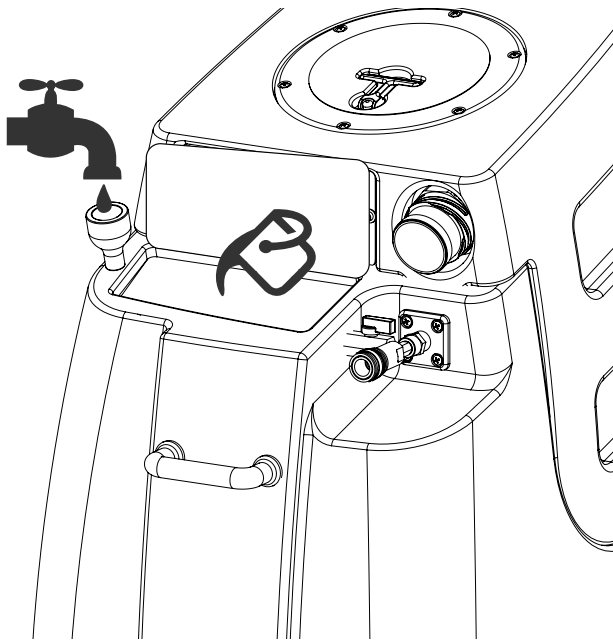
Attach one end of a solution hose to a wand or other tool, the other end to the Speedster's® front quick disconnect. Attach one end of a vacuum hose to the tool, the other end to the Speedster's® Cuff-Lynx™ vacuum hose port.

## 1003DX SPEEDSTER® SWITCHES



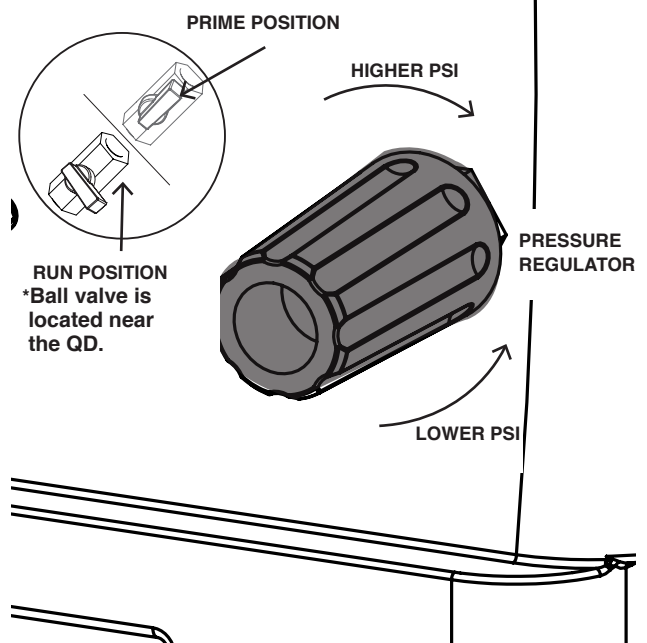
"On" switches are located on the plate in front of the machine. To use vacuums, turn on Vac 1 and Vac 2 switches. To use pump, turn on Pump switch. To activate heat, use lower right switch. Press to the left for 1,000 watts, press to the right for 2,000 watts.

## 1003DX SPEEDSTER® FILL SOLUTION TANK



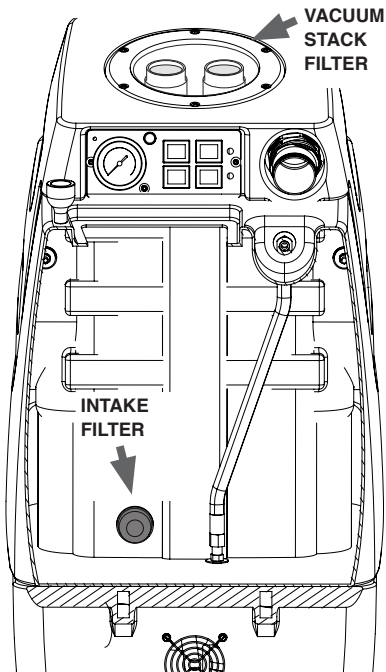
Lift lid and manually fill the solution tank or use the easy faucet fill.

## 1003DX SPEEDSTER® PRIME VALVE & PRESSURE REGULATOR



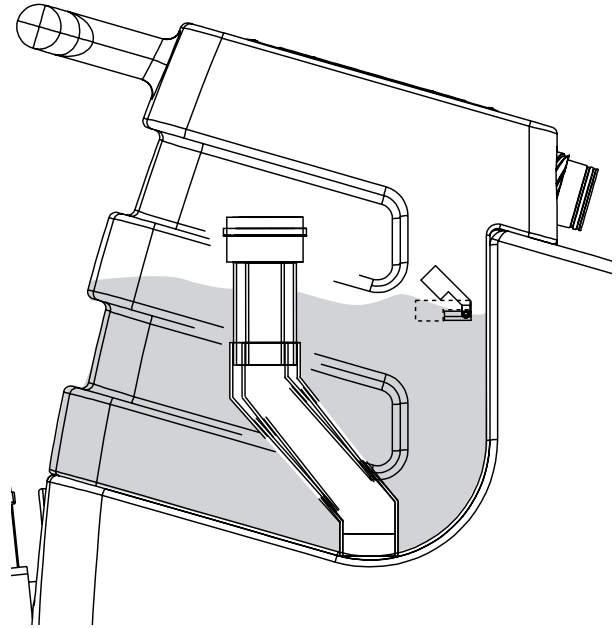
Prime the pump by turning the valve to the Prime position (as shown above) for 30 seconds, then turn right to the Run position. Turn the Pressure Regulator to the left to decrease water pressure. Turn the Pressure Regulator to the right to increase water pressure.

1003DX SPEEDSTER® FILTER MAINTENANCE



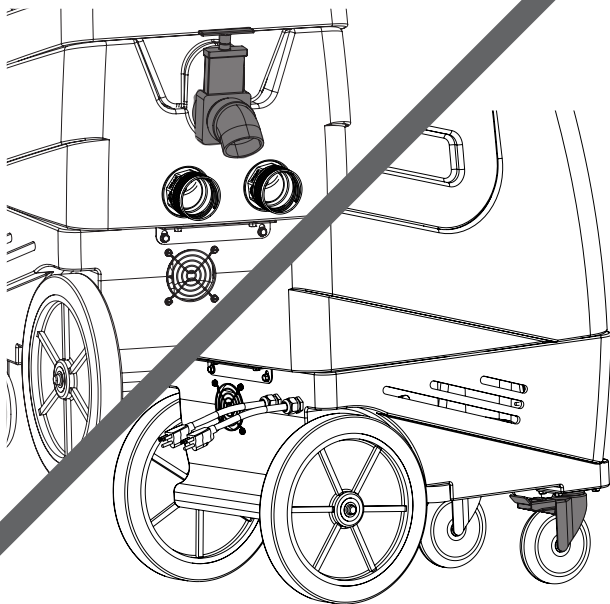
Check and clean the vacuum stack filters and solution tank filter daily by twisting off, rinsing with clean water and replacing.

1003DX SPEEDSTER® FLOAT SWITCH



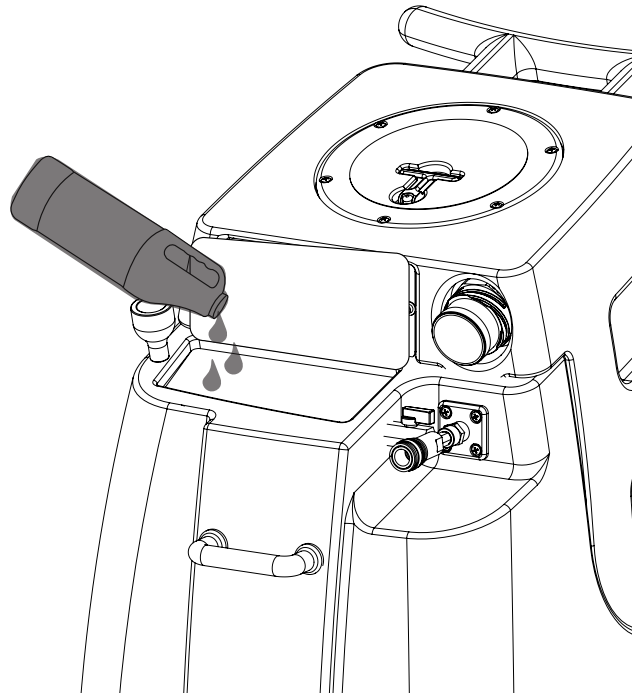
The Speedster® is equipped with an electronic float switch inside the recovery tank. The recovery float switch is activated by rising water to prevent suction into the vacuum stacks damaging the motors.

1003DX SPEEDSTER® DUMP VALVE & LOCKING CASTERS



Above, empty the recovery tank by attaching the 45° drain elbow to the drain spout in back. Lift up the dump valve and empty the tank. Below, locking casters help keep the machine remain stationary during use.

MYTEE® SYSTEM MAINTAINER



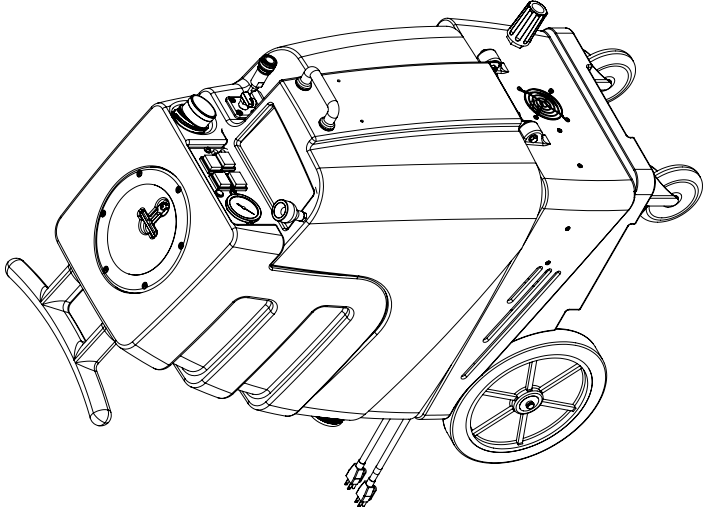
Weekly flushing of the solution system with Mytee® System Maintainer helps keep lines clean and prevents chemical build-up, improving pump life, performance and pressure.

# 1003DX SPEEDSTER PARTS & PRICING

ITEM NO.	PART NO.	DESCRIPTION	QTY.	MSRP	ITEM NO.	PART NO.	DESCRIPTION	QTY.	MSRP
1	H296	guard, cooling fan, wire	2	\$2.99 ea	70	H213	washer, 1/4" lock, 5/8"	10	\$0.99 ea
2	H304	screw, #8 x 3/8 phi oval, 1/4"	14	\$0.99 ea	71	H215	nut, hex, 1/4-20 x 1/2"	2	\$0.99 ea
3	H186	screw, 10-32 x 3/4, phi flat head	4	\$0.99 ea	72	H178B	bol, 1/4-20 x 3/4, serrated hex flange, zinc	2	\$0.99 ea
4	E370	controller, water level, dual pump or vac	1	\$1,139.99 ea	73	AH108B	sol hose, 1/4" x 24 1/2', (OAL)	1	\$26.49 ea
5	H273	nut, keep, #10-32 zinc	8	\$0.99 ea	74	H484	plate, mounting, QD	1	\$4.49 ea
6	H216	nut, lock, 1/4-20, nylon insert, 1/4"	14	\$0.99 ea	75	B142	coupling, brass, 1/4" flt x 1/4" flt	1	\$4.49 ea
7	H210	washer, 1/4" flt, 1/4"	26	\$0.99 ea	76	B135	tee, brass, 1/4" mpt	1	\$5.49 ea
8	H342	bol, 1/4-20 x 1" hex head, 1/4"	12	\$0.99 ea	77	H110	qd. brass, 1/4" x 1/4" flt	1	\$17.99 ea
9	H666	cover, 5" Black tub & grey head	2	\$32.19 ea	78	B656	ball valve, 1/4"	1	\$13.49 ea
10	E564	controller, circuit light	1	\$64.99 ea	79	B159	adapter, brass, 1/4" barb x 1/4" mpt	1	\$1.99 ea
11	H254	washer, oval, cut 1/2" id	6	\$0.99 ea	80	PH634-36	sol hose, 1/4" 300 PSI	1	\$6.49 fl
12	H371	o-ring, 1.037 x .507 dia	2	\$0.99 ea	81	H485	handle, aluminum grip, black	1	\$6.99 ea
13	H251	wheel, 12"	2	\$41.99 ea	82	H316	bol, 1/4-1/2", hex head, zinc	2	\$0.99 ea
14	H042	c-clip, 1/2mm, external	2	\$0.99 ea	83	H378	bracket, front hinge, 30/30	2	\$8.99 ea
15	H221	nut, lock, 1/2" steel	2	\$1.99 ea	84	H209	bol, 1/4-20 x 1/2", hex head, zinc	2	\$0.99 ea
16	H220	filling, strain relief, cord	2	\$1.99 ea	85	H299	washer, 1 1/16 x 1 1/2 x 3/8 x .075, 1/4"	4	\$0.99 ea
17	E520	power cord, gpa/bal, 30', 12/3, black	2	\$11.49 ea	86	B216	regula. brass, 3/8" x 3/8"	1	\$1.99 ea
18	H731	base	1	\$14.99 ea	87	B210	bulbing, brass, 1/2" mpt x 3/8" flt, hex	1	\$2.49 ea
19	H256	screw, 10-32 x 3/4", phi pan head, zinc	6	\$0.99 ea	88	B119A	filter, strainer, 1/2"	1	\$6.49 ea
20	H328	bracket, heater mounting, alu/al	1	\$29.99 ea	89	H314	nut, lock, 1/2" steel	2	\$1.99 ea
21	H303A	heater, aluminum cast, single	2	\$49.99 ea	90	F520	adapter, pvc, 1/2" mpt x 1/2" flt	2	\$2.99 ea
22	E571	heating pad, 600W, 115V	1	\$49.99 ea	91	PH633-34	pipe, pvc, 1/2"	2	\$4.99 fl
23	E574	thermostat, 307F ± 10F, manual, 1/4"	2	\$17.99 ea	92	F502	adapter, 1.5" pvc, flt x flt	2	\$5.00 ea
24	H274	screw, #8 x 3/8, phi pan head, self-lapping	10	\$0.99 ea	93	F097	screen, mesh filter, 1-1/2" dia	2	\$4.99 ea
25	E573	thermostat, 200F, Auto, 1/4"	2	\$16.49 ea	94	G003	filter, foam, 2" x .50" o.d.	2	\$1.99 ea
26	E519	heating pad, 1000W, 115V	2	\$31.99 ea	95	PH633-1	pipe, pvc, 1/2"	2	\$4.99 fl
27	E607	elbow, brass, 90 deg, 1/4" flt x 1/4" flt	2	\$5.99 ea	96	PH633-46	pipe, pvc, 1/2"	2	\$4.99 fl
28	B107	regula. brass, 1/4" mpt, hex	6	\$3.19 ea	97	PH633-46	pipe, pvc, 1/2"	2	\$4.99 fl
29	AH156	hose, 3/8" x 6.5', (OAL), 1x1w, 5400 Gray	1	\$23.99 ea	98	F503	adapter, 1.5" pvc, 45 deg, flt x flt	4	\$3.79 ea
30	B103	elbow, brass, 90 deg, 1/4" mpt x 1/4" flt	1	\$4.49 ea	99	H226	spout, drain, 45 degree	1	\$3.19 ea
31	B113	tee, brass, 1/4" flt	1	\$6.99 ea	100	H225	valve, drain, 1-1/2"	1	\$20.99 ea
32	B643	adapter, brass, 3/8" flt x 1/4" mpt	1	\$4.99 ea	101	F733	vac tank	1	\$100.99 ea
33	AH120	sol hose, .28" x 1/4", 1/4" flt	1	\$35.99 ea	102	A926	elbow, mild assembly, 2"	1	\$15.99 ea
34	B229	qd. brass, 1/4" mpt	1	\$1.99 ea	103	G091	gasket, 2", vac flt	1	\$11.99 ea
35	B640	qd. brass, 1/4" mpt x flt	1	\$10.49 ea	103	G090	1/4" vac tank, 2" x 2"	1	\$34.99 ea
36	AH184	hose, pallie, 3/8" x 17-1/2', (OAL)	2	\$31.99 ea	105	H135	Cull-Lynk, 2" in cul, 2" mpt	1	\$39.99 ea
37	B652	elbow, brass, 90 deg, 3/8" mpt x 1/4" mpt	3	\$8.49 ea	106	E128	light, indicator, 125v (amber)	1	\$9.99 ea
38	B257A	qd. brass, 1/4" flt x flt	3	\$15.99 ea	107	H357	plate, switch, 100.00X, 100.00X	1	\$39.99 ea
39	B260A	qd. brass, 1/4" mpt x flt	3	\$8.99 ea	108	E511	light, red, 250v	2	\$5.99 ea
40	C313A	pump, CAT, 50-500 PSI, 120/240v	1	\$599.99 ea	109	E515	switch, rocker, 2 position	3	\$13.99 ea
41	B186	elbow, brass, 90 deg, 3/8" mpt x 3/8" mpt	2	\$8.99 ea	110	E516	switch, rocker, 3 position	1	\$14.99 ea
42	PH615-36	sol hose, 1/2" kun 100psi	1	\$31.99 ea	111	H389	screw, 10-32 x 1/2" SHCS, alloy	1	\$0.99 ea
43	B444	sol hose, 1/2" kun 100psi	1	\$8.99 fl	112	H162	Washer #8, flat regular	3	\$0.99 ea
44	B444	adapter, brass, 1/2" barb x 1/4" mpt	2	\$2.49 ea	113	H246	screw, 8-32 x 3/8" SHCS, alloy, black	2	\$0.99 ea
45	B173	female, 1/2" brass	2	\$0.99 ea	114	AH080	gauge, pressure, 2000psi	1	\$38.99 ea
46	B100	adapter, brass, 1/2" barb x 3/8" flt, low ball end	1	\$3.49 ea	115	AH003	hose, pallie, 3/8" x 3/4"	1	\$47.99 ea
47	PH624-20	sol hose, 1/4", 300psi, black	1	\$4.49 fl	116	B156	nut, 1/4" flt	1	\$1.99 ea
48	B170	female, 1/4" brass	3	\$0.99 ea	117	H212	flat washer, 9/16" ID x 1 1/16" OD, AN940C916	2	\$0.99 ea
49	B170	filter, strainer, 1"	1	\$5.99 ea	118	E372	level switch, vacuum shut-off, rear tread	1	\$13.99 ea
50	B170	elbow, brass, 90 deg, 1/4" barb x 1/4" mpt	1	\$2.99 ea	119	AH003	vac support, 3 steps, 3.25" no heads	6	\$3.99 ea
51	B102	bracket, regulator, non-innocent	1	\$27.99 ea	120	A096A	bol, hex, 1/4-20 x 4", zinc finish	6	\$0.99 ea
52	B644	bracket, regulator, non-innocent	1	\$27.99 ea	121	C302A	vac motor, 3.0 gpm, low amp	2	\$139.99 ea
53	B177	plug, brass, 1/4" mpt, hex	1	\$0.99 ea	122	G004	gasket, vacuum motor	2	\$8.99 ea
54	C313C	regulator, 250 psi, air-spring	1	\$89.99 ea					
55	H170	bol, 1/4-20 x 1/2" serrated hex flange, zinc	8	\$0.99 ea					
56	H172	bracket, rear, 1/2" by 1/2"	1	\$9.99 ea					
57	H124	Cull-Lynk, 2" mpt x 2" female cul	2	\$39.99 ea					
58	H194	coupler, 2" dia x 2.5" length, 1/4"	2	\$10.00 ea					
59	H217	clamp, hose, 2" 1/4" dia	4	\$1.49 ea					
60	PH625-20	vac hose, 2", wire reinforced	2	\$8.99 fl					
61	F732	sol tank	1	\$14.99 ea					
62	H390A	bracket, "L"	2	\$6.99 ea					
63	PH612-60	clear tubing, 1/2" OD x 3/8" ID, faucet fill	1	\$1.99 fl					
64	B241	adapter, brass, 3/8" barb x 1/4" mpt	1	\$1.99 ea					
65	H178	faucet fill	1	\$10.99 ea					
66	G018	cover, sol tank (pl)	1	\$12.99 ea					
67	H203	washer, 1/4" ID x 1" OD, flat, 1/4"	2	\$0.99 ea					
68	H211	washer, 1/4" ID x 1" OD, flat, 1/4"	6	\$0.99 ea					
69	G002	washer, buna 1-1/8" od x 3/16" id	6	\$1.99 ea					

ITEMS NOT SHOWN

PART NO.	DESCRIPTION	QTY.	MSRP
E380	harness, electrical pigtail flt	1	\$129.99 ea
G008	pigtail flt	1	\$62.99 ea
H375	hanger, wire formed, hose	1	\$10.99 ea
H220	screw, 10-32 x 1/2" phi pan head, 1/4"	2	\$0.99 ea
H141	Cull-Lynk, 2" to 1.5" reducer	2	\$3.99 ea
E500	power cord, ext 50', 12/3 black	2	\$74.99 ea
H110	Cull-Lynk, 2" hose x 2" fem swivel Cull-Lynk cord lock, s-type	2	\$3.99 ea
P568A	cord lock, s-type	2	\$8.99 ea
F590	cuiles, 1/4" qd, standard pack of 2	1	\$2.99 ea
ADAM3FEEDSTERS	manud. feedstiers	1	\$2.99 ea

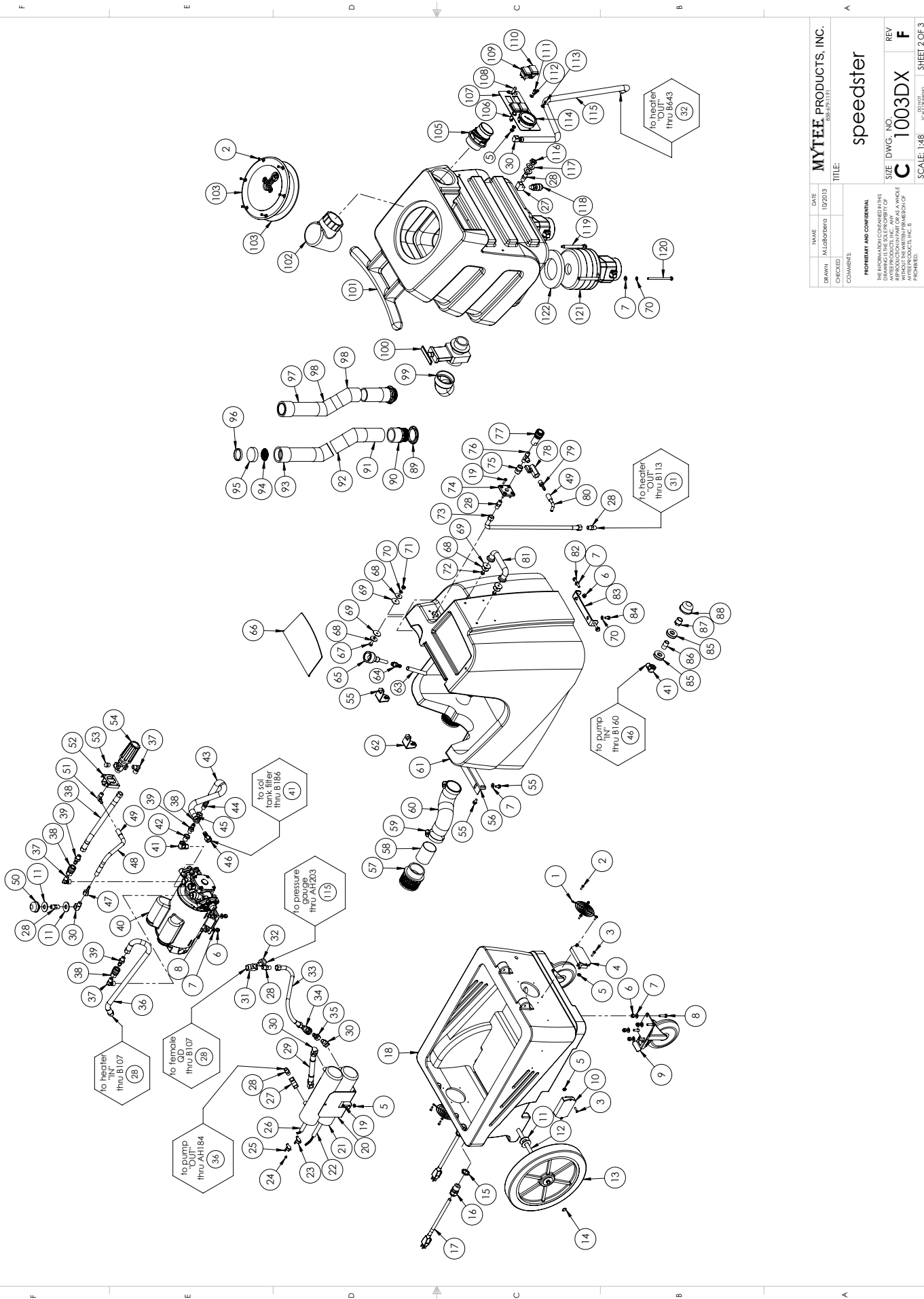


MYTEE PRODUCTS, INC.  
 SPEEDSTER  
 SEE DIMS. NO. D 1003DX  
 SCALE: 1/8" = 1"

Order parts at: [www.mytee.com/products/product.php?id=1003DX](http://www.mytee.com/products/product.php?id=1003DX)

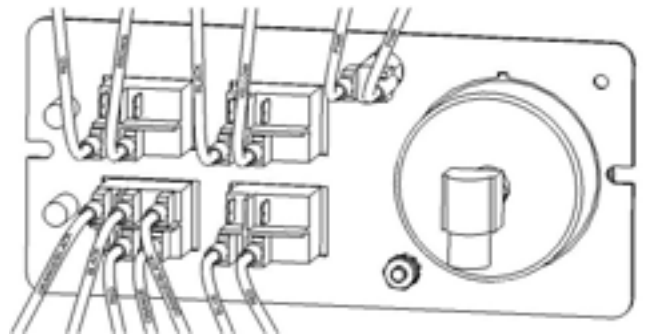
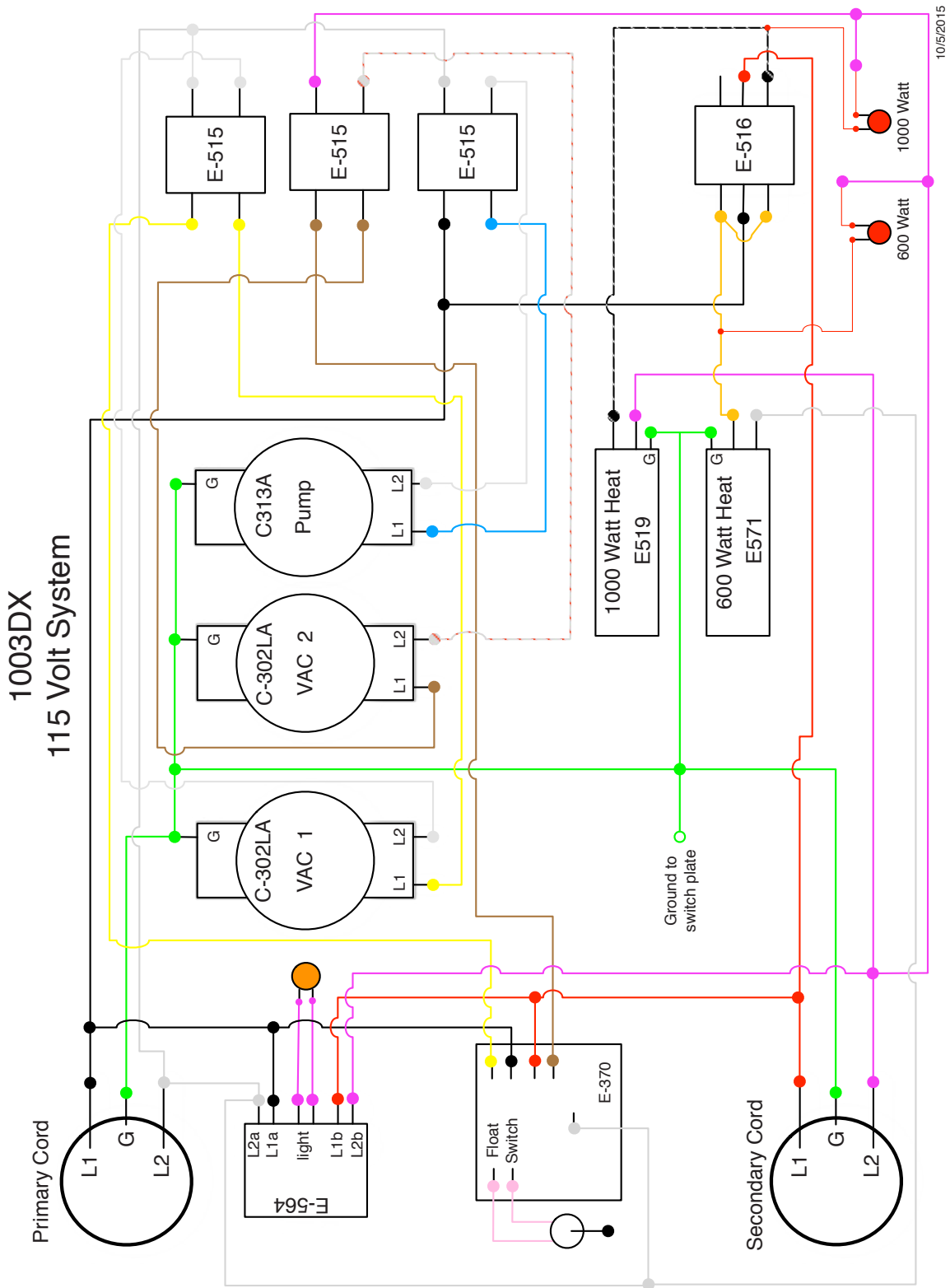
Part prices are subject to change.

# 1003DX SPEEDSTER PARTS & PRICING

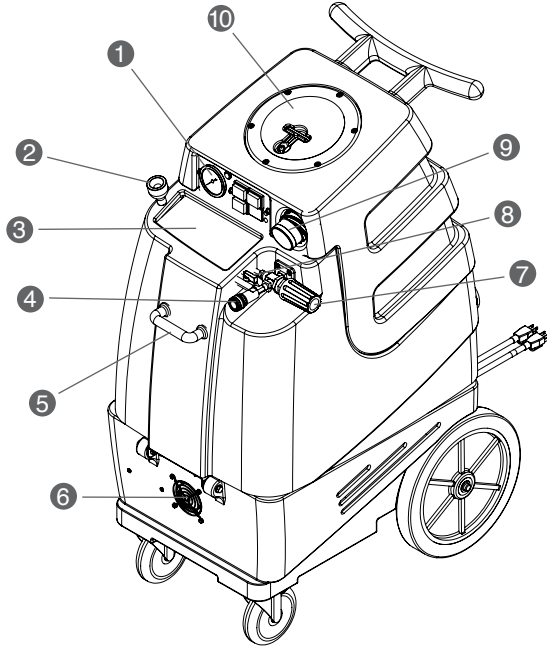


NAME	DATE	MYTEE PRODUCTS, INC.
BRANN, M. Lubbers	10/2013	886-5251171
CHECKED	TITLE:	speedster
COMMENTS:	SIZE (DWG. NO.)	REV
<p>THE INFORMATION CONTAINED IN THIS DRAWING IS THE SOLE PROPERTY OF MYTEE PRODUCTS, INC. AND IS TO BE USED ONLY FOR THE PURPOSES SPECIFIED HEREIN. REPRODUCTION OR USE AS A VEHICLE PART OR IN ANY MANNER WITHOUT THE WRITTEN PERMISSION OF MYTEE PRODUCTS, INC. IS PROHIBITED.</p>	C 1003DX	F
	SCALE: 1:48	SHEET 2 OF 3

# 1003DX SPEEDSTER WIRING SCHEMATIC

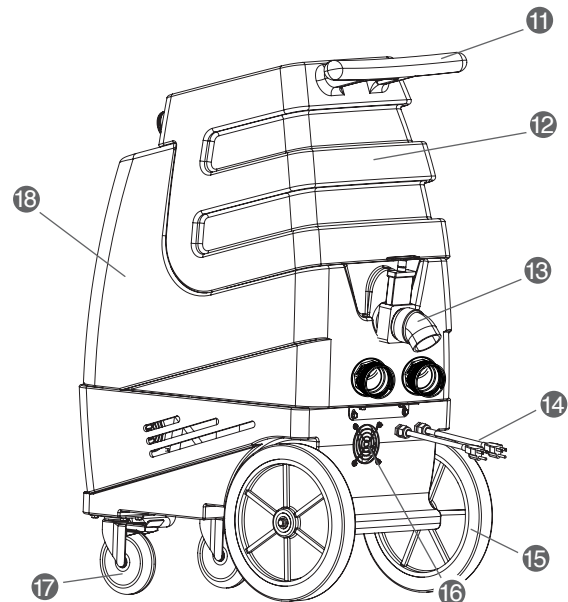


## 1005DX SPEEDSTER® FRONT



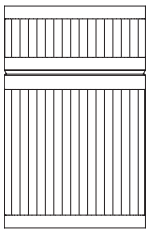
- |                            |                       |
|----------------------------|-----------------------|
| 1. Switch plate            | 6. Front vent         |
| 2. Easy faucet fill        | 7. Pressure Regulator |
| 3. Solution lid            | 8. Prime Valve        |
| 4. Female quick disconnect | 9. 2" Male Cuff-Lynx™ |
| 5. Front handle            | 10. Recovery lid      |

## 1005DX SPEEDSTER® BACK

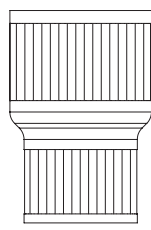


- |                      |                        |
|----------------------|------------------------|
| 11. Push handle      | 16. Back vent          |
| 12. Recovery tank    | 17. 5" locking casters |
| 13. Drain valve      | 18. Solution tank      |
| 14. Dual Power cords |                        |
| 15. 12" Rear wheels  |                        |

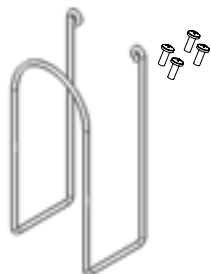
## 1005DX SPEEDSTER® ITEMS INCLUDED



H110 Cuff-Lynx™  
2" Hose Adapter



H141 Cuff-Lynx™  
2" Hose Reducer to 1.5"



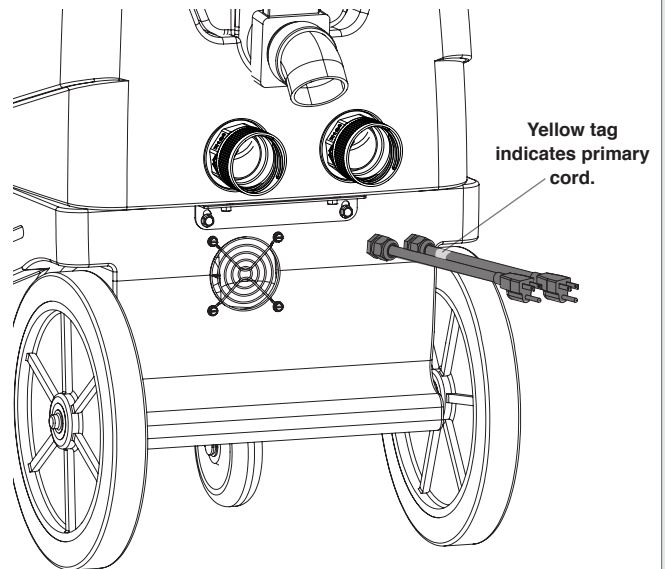
H375- Hose Hanger  
(4) screws



H226 Drain Elbow

## 1005DX SPEEDSTER® CORD

**Left cord: Powers power Vac 2.**  
**Right cord: Powers Vac 1 & Pump.**

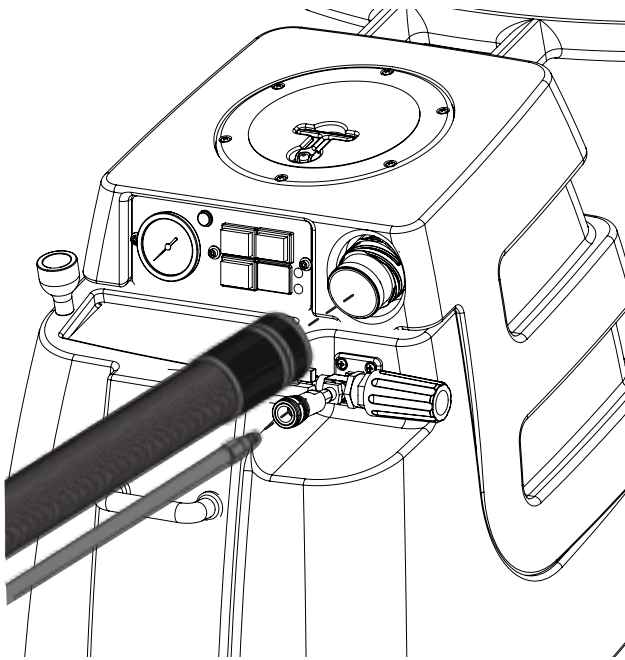


Plug each power cord into a separate, 20A grounded wall outlet. **Outlets must be on two separate breakers.** When the amber light on the switch plate illuminates, the machine is on separate circuits (not necessarily 20A circuits). You can identify the primary cord by the yellow tag.



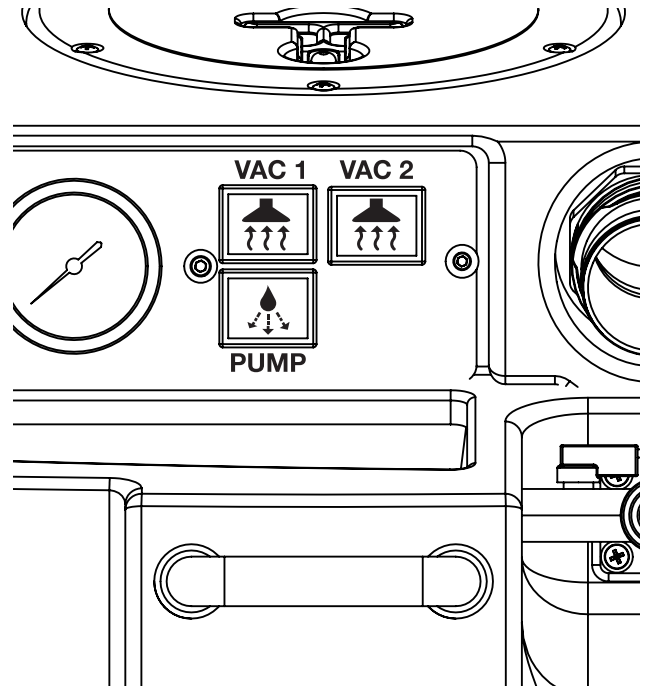
# 1005DX SPEEDSTER

## 1005DX SPEEDSTER® VAC/SOL HOSE CONNECTIONS



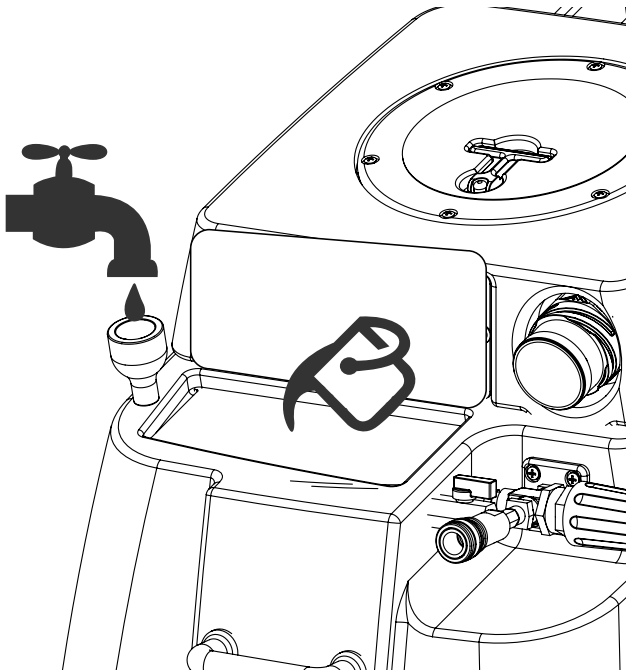
Attach one end of a solution hose to a wand or other tool, the other end to the Speedster's® front quick disconnect. Attach one end of a vacuum hose to the tool, the other end to the Speedster's® Cuff-Lynx™ vacuum hose port.

## 1005DX SPEEDSTER® SWITCHES



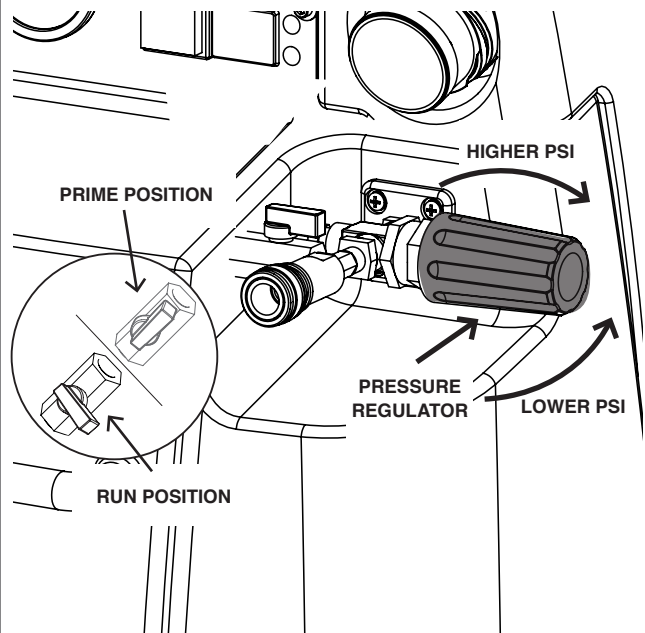
"On" switches are located on the plate in front of the machine. To use vacuums, turn on Vac 1 and Vac 2 switches. To use pump, turn on Pump switch. Bottom right switch has no use.

## 1005DX SPEEDSTER® FILL SOLUTION TANK



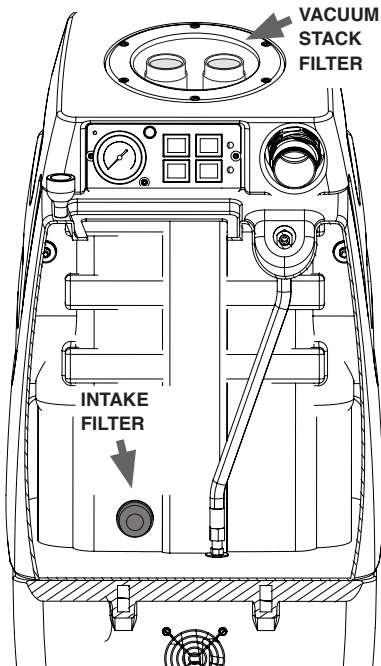
Lift lid and manually fill the solution tank or use the easy faucet fill.

## 1005DX SPEEDSTER® PRIME VALVE & PRESSURE REGULATOR



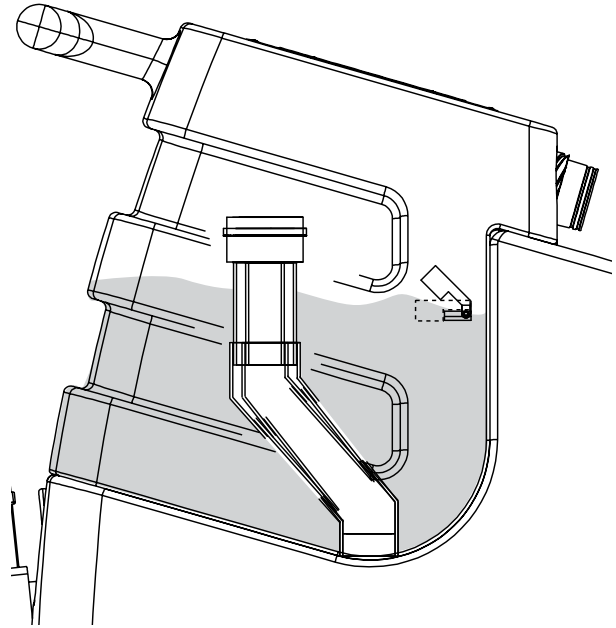
Prime the pump by turning the valve to the Prime position (as shown above) for 30 seconds, then turn right to the Run position. Turn the Pressure Regulator to the left to decrease water pressure. Turn the Pressure Regulator to the right to increase water pressure.

1005DX SPEEDSTER® FILTER MAINTENANCE



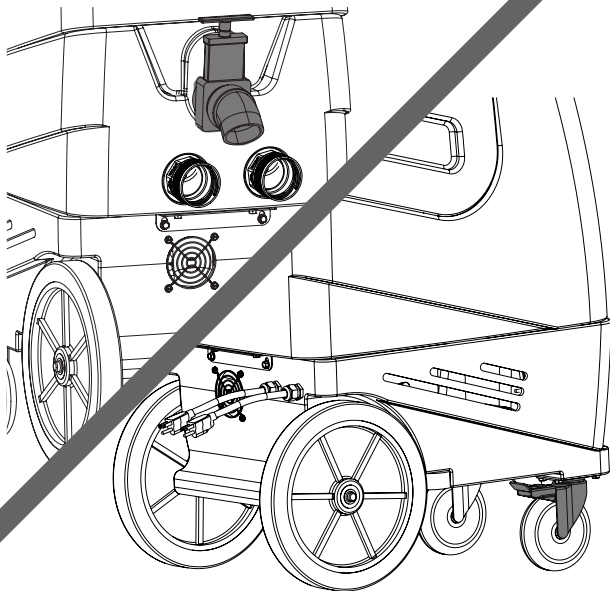
Check and clean the vacuum stack filters and solution tank filter daily by twisting off, rinsing with clean water and replacing.

1005DX SPEEDSTER® FLOAT SWITCH



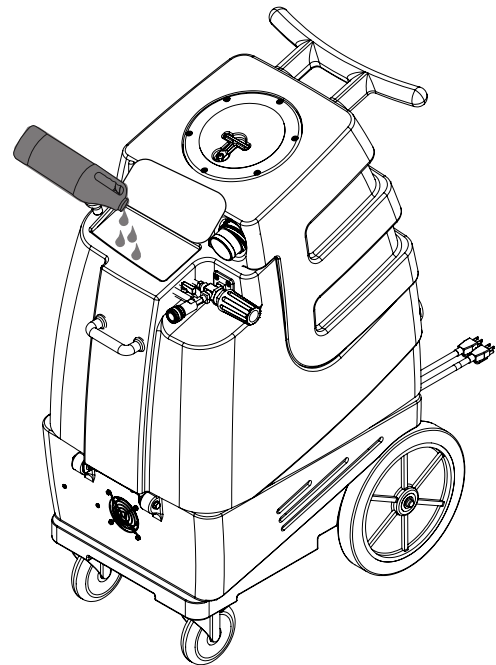
The Speedster® is equipped with an electronic float switch inside the recovery tank. The recovery float switch is activated by rising water to prevent suction into the vacuum stacks damaging the motors.

1005DX SPEEDSTER® DUMP VALVE & LOCKING CASTERS



Above, empty the recovery tank by attaching the 45° drain elbow to the drain spout in back. Lift up the dump valve and empty the tank. Below, locking casters help keep the machine remain stationary during use.

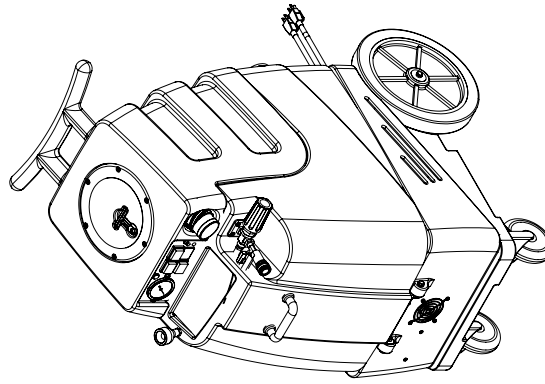
MYTEE® SYSTEM MAINTAINER



Weekly flushing of the solution system with Mytee® System Maintainer helps keep lines clean and prevents chemical build-up, improving pump life, performance and pressure.

# 1005DX SPEEDSTER PARTS & PRICING

ITEM NO.	PART NO.	DESCRIPTION	QTY.	MSRP	ITEM NO.	PART NO.	DESCRIPTION	QTY.	MSRP
1	H296	guard, cooling fan, wire	2	\$2.99 ea	63	B170	ferrule, 1/4" brass	2	\$0.99 ea
2	H304	screw, 8 x 5/8", phil oval, s/s	14	\$0.99 ea	64	PH634-36	sol hose, 1/4", 300 PSI	1	\$6.49 ft
3	H273	nut, kep. #10-32 zinc	4	\$0.99 ea	65	H219	nipple, brass, 3/8" x close	1	\$1.99 ea
4	E370	controller, waterlevel, dual pump or vac	1	\$133.99 ea	66	H299	washer, 1 1/16" id x 1/2" od x 0.75, s/s	4	\$0.99 ea
5	H186	screw, 10-32 x 3/4, phil flat full thread	2	\$0.99 ea	67	B210	bushing, brass, 1/2" mpt x 3/8" fpl, hex	1	\$2.49 ea
6	H378	bracket, front hinge, sp/fb	1	\$8.99 ea	68	B119A	filter, strainer, 1/2"	1	\$6.49 ea
7	H210	washer, 1/4", flat, s/s	26	\$0.99 ea	69	AH120	sol hose, 1/4" x 24 1/2", (OAL), f x f sw, 3000psi	1	\$35.99 ea
8	H213	washer, 1/4" lock, s/s	10	\$0.99 ea	70	H422	plug, dome 3/8", black	2	\$1.00 ea
9	H201	bolt, 1/4-20 x 1/2", hex head, zinc	2	\$0.99 ea	71	P967A	plug	1	\$1.99 ea
10	H216	nut, lock, 1/4-20, nylon insert, s/s	14	\$0.99 ea	72	E515	switch, rocker, 2 position	3	\$13.99 ea
11	H316	bolt, 1/4x1-1/2", hex head zinc	2	\$0.99 ea	73	H389	screw, 10-32 x 1/2" SHCS, alloy	4	\$0.99 ea
12	H342	bolt, 1/4-20 x 1" hex head, s/s	8	\$0.99 ea	74	H612	Washer, #8, flat regular	3	\$0.99 ea
13	H666	caster, 5", Black hub & gray head	2	\$23.19 ea	75	H308D	gauge, pressure, 2000psi	1	\$38.99 ea
14	P731	base	1	\$141.99 ea	76	E512B	light, indicator, 12sv (amber)	1	\$9.99 ea
15	H254	washer, axle, cut 1/2" id	4	\$0.99 ea	77	B156	nut, 1/4", npt	1	\$1.99 ea
16	H371	axle, 18.03" x .50" dia	1	\$9.99 ea	78	H337	plate, switch, 1005DX, 1005DX	1	\$8.99 ea
17	H251	wheel 12"	2	\$41.99 ea	79	H212	flat washer, 9/16" ID x 1 1/16" OD, AN960-C916	2	\$0.99 ea
18	H042	c-clip, 12mm, external	2	\$0.99 ea	80	B207	elbow, brass, 90 deg, 1/4" fpl x 1/4" fpl	1	\$5.99 ea
19	E550	power cord, pigtail, 30', 12/3, black	2	\$11.49 ea	81	E373	level switch, vacuum shut-off, rear threads	1	\$13.99 ea
20	H220	fitting, strain relief, cord	2	\$3.19 ea	82	B103	elbow, brass, 90 deg, 1/4" mpt x 1/4" fpl	1	\$4.49 ea
21	H221	nut, lock, 1/2" steel	2	\$1.99 ea	83	P733	vac tank	1	\$190.99 ea
22	H912	bracket, rear, fb/spy	1	\$9.99 ea	84	G091	gasket, 7", vac lid	1	\$11.99 ea
23	H307	washer, star, 1/4" steel zinc	2	\$0.99 ea	85	G090	lid, vac tank, clear, 7"	1	\$36.99 ea
24	H770	bolt, 1/4-20 x 1/2" serrated hex flange, zinc	8	\$0.99 ea	86	PH633-1	pipe, pvc, 1-1/2"	2	\$4.99 ft
25	H202	bolt, 1/4x20x3/4" hex head	4	\$0.99 ea	87	G003	filter, foam, 2" x .50" o.d.	2	\$1.99 ea
26	B246	plug, brass, 3/8" mpt, hex	1	\$1.99 ea	88	G097	screen, mesh filter, 1-1/2" dia	2	\$4.99 ea
27	B186	elbow, brass, 90 deg, 3/8" mpt x 3/8" fmp	2	\$8.99 ea	89	P502	adapter, 1.5" pvc, fsip x fsip	2	\$5.00 ea
28	B105	bushing, brass, 3/8" mpt x 1/4"	1	\$3.19 ea	90	PH633-06	pipe, pvc, 1-1/2"	2	\$4.99 ft
29	B260A	qd, brass, 1/4" mqd x fpl	2	\$8.99 ea	91	P503	adapter, 1.5" pvc, 45 deg, fsip x fsip	4	\$3.29 ea
30	B259A	qd, brass, 1/4" fqd x fpl	2	\$15.99 ea	92	PH633-03	pipe, pvc, 1-1/2"	2	\$4.99 ft
31	B644	adapter, brass, 1/2" barb x 1/4" mpt	1	\$2.49 ea	93	PH633-4	pipe, pvc, 1-1/2"	2	\$4.99 ft
32	PH615-37	sol hose, 1/2" kuti, 100 psi	1	\$8.99 ft	94	P520	adapter, pvc, 1-1/2" mpt x 1-1/2" fms	2	\$2.99 ea
33	B173	ferrule, 1/2", brass	2	\$0.99 ea	95	H314	nut, lock, 1-1/2", steel	2	\$1.99 ea
34	B160	adapter, brass, 1/2" barb x 3/8" fsw, ball end	1	\$3.49 ea	96	H225	valve, drain, 1-1/2"	1	\$20.99 ea
35	B652	elbow, brass, 90 deg, 3/8" mpt x 1/4" mpt	1	\$8.49 ea	97	H226	spout, drain, 45 degree	1	\$3.19 ea
36	B107	nipple, brass, 1/4" m, hex	4	\$3.19 ea	98	A926	elbow, inlet assembly 2"	1	\$15.99 ea
37	B643	adapter, brass, 3/8" mpt x 1/4" mnt	1	\$4.99 ea	99	H135	Cuff-Lynx, 2" m cuff x 2" mpt	1	\$3.99 ea
38	B113	tee, brass, 1/4" fpl	1	\$6.99 ea	100	H390A	bracket, "L"	2	\$6.99 ea
39	AH184	hose, pulse BLK 49" (OAL), 1/4" fswl x 1/4" fswl	1	\$19.99 ea	101	G004-A	gasket, vacuum motor	2	\$6.99 ea
40	C313A	pump, CAT, 50-500 PSI, 120/240v	1	\$599.99 ea	102	G004	gasket, vacuum motor	2	\$8.99 ea
41	H768	bolt, 1/4-20 x 3/4" serrated hex flange, zinc	2	\$0.99 ea	103	H096	bolt, hex, 1/4-20 x 4", zinc Finish	6	\$0.99 ea
42	H211	washer, 1/4" id x 1" od, flat, s/s	6	\$0.99 ea	104	C302A	vac motor, 3-stage hp, 120V, 145"	2	\$148.99 ea
43	G052	washer, buna 1-1/8" od x 3/16" id	6	\$1.99 ea	105	H503	vac support, 3 stage, 3.25", no fhrds	6	\$3.99 ea
44	H485	handle, aluminum grip, black	1	\$6.99 ea	106	H203	bolt, 1/4-20 x 1-1/4"	2	\$0.99 ea
45	PH612-60	clear tubing, 1/2" OD x 3/8" ID, faucet fill	1	\$1.99/ft	107	H215	nut, hex, 1/4-20 s/s	2	\$0.99 ea
46	B241	adapter, brass, 3/8" barb x 1/4" mpt	1	\$1.99 ea	108	E564	controller, circuit light	1	\$62.99 ea
47	H178	faucet fill	1	\$10.99 ea	<b>ITEMS NOT SHOWN</b>				
48	G018	cover, sol tank (sp)	1	\$12.99 ea					
49	P732	sol tank	1	\$0.99 ea					
50	PH628-24	vac hose, 2" wire reinforced, gray	2	\$8.99/ft					
51	H217	clamp, hose, 2-1/4 dia	4	\$1.49 ea					
52	H124	coupler, 2" dia x 2.5" length, s/s	2	\$10.00 ea					
53	H124	Cuff-Lynx, 2" mpt x 2" female cuff	2	\$3.99 ea					
54	PH634-20	sol hose, 1/4", 300 PSI	1	\$6.49 ft					
55	B109	adapter, brass, 1/4" barb x 1/4" mpt	2	\$1.99 ea					
56	H256	screw, 10-32 x 3/4" phil pan head, zinc	4	\$0.99 ea					
57	H484	plate, mounting, QD	1	\$4.99 ea					
58	AH203	hose, pulse BLK 49" (OAL), 1/4" fswl x 1/4" fswl	1	\$19.99 ea					
59	C313C	regulator, 450 psi, silver spring	1	\$86.99 ea					
60	B135	tee, brass, 1/4" mpt	1	\$5.49 ea					
61	B102	qd, brass, 1/4" f x 1/4" fpl	1	\$17.99 ea					
62	B656	ball valve, 1/4"	1	\$13.49 ea					

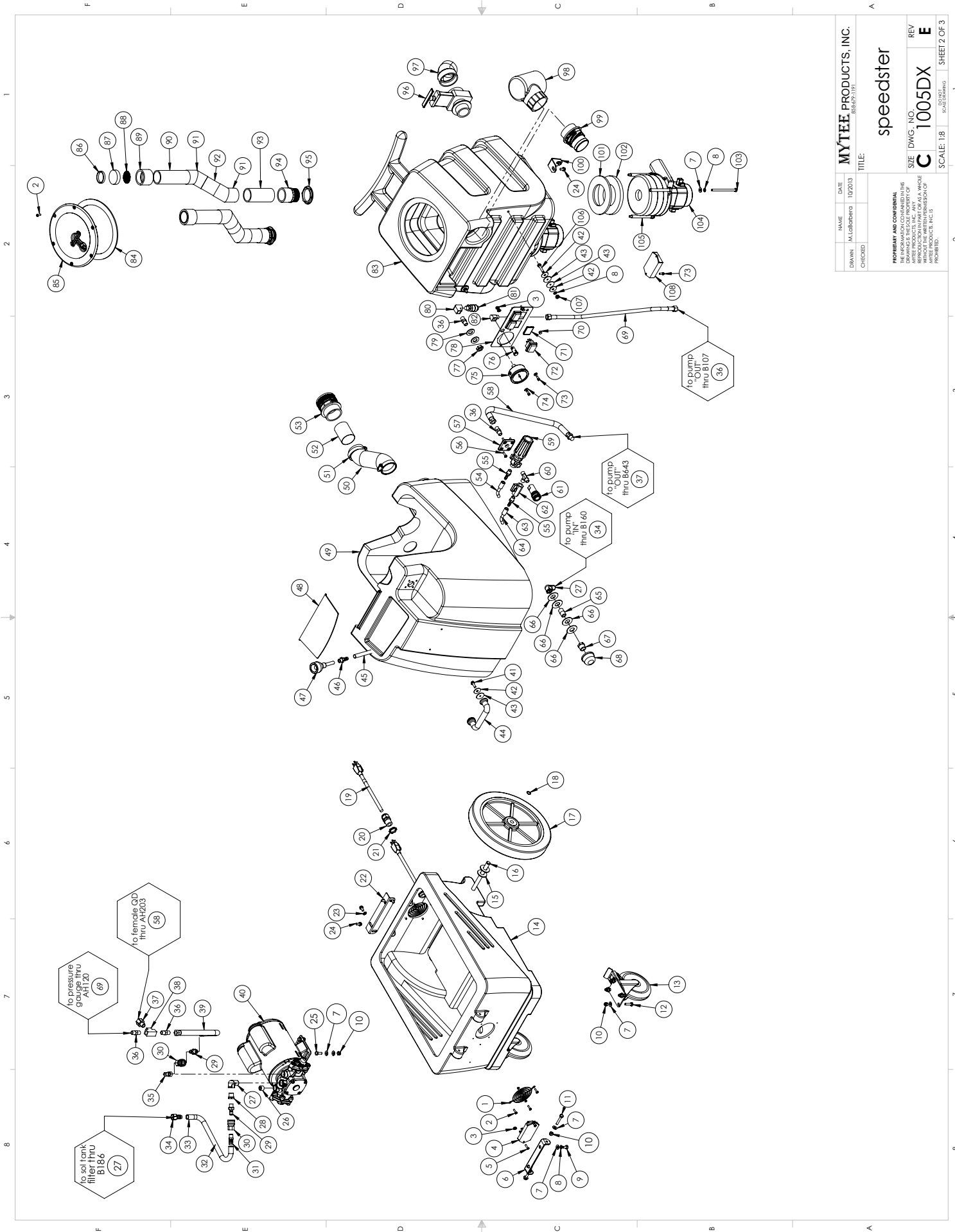


DATE	10/2013
NAME	MYTEE PRODUCTS, INC.
DRAWN	M.L. BURBANK
CHECKED	
TITLE:	speedster
SIZE	DWG. NO. C 1005DX
REV	E
SCALE:	1:8
SHEET	1 OF 3

Order parts at: [www.mytee.com/products/product.php?id=1005DX](http://www.mytee.com/products/product.php?id=1005DX)

Part prices are subject to change.

# 1005DX SPEEDSTER PARTS & PRICING

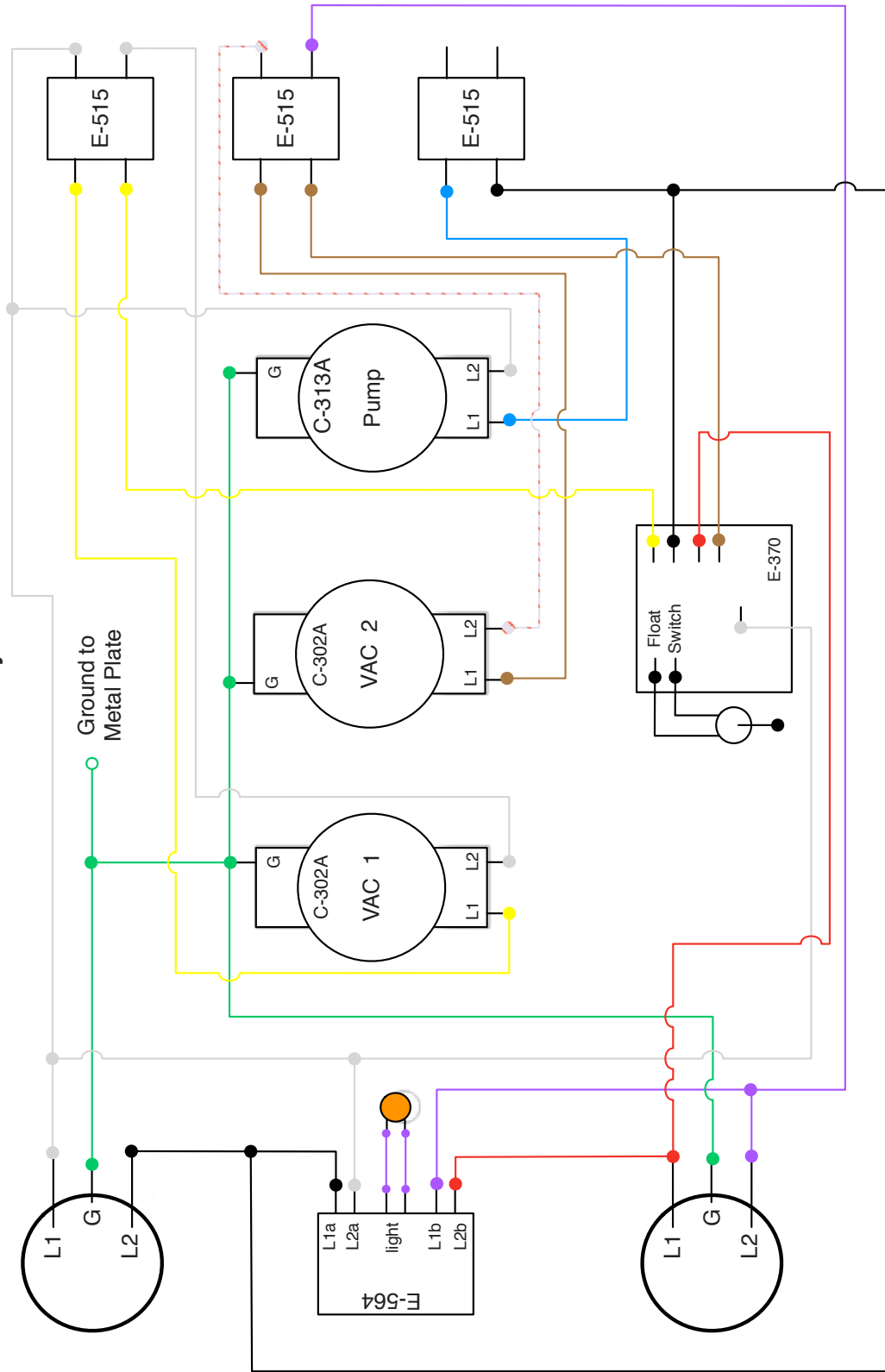


DATE	10/2010
NAME	M. L. BORGHO
DRAWN	10/2010
CHECKED	
TITLE: speedster	
REV	E
SIZE	DWG. NO. C 1005DX
SCALE	1:8
SHEET 2 OF 3	

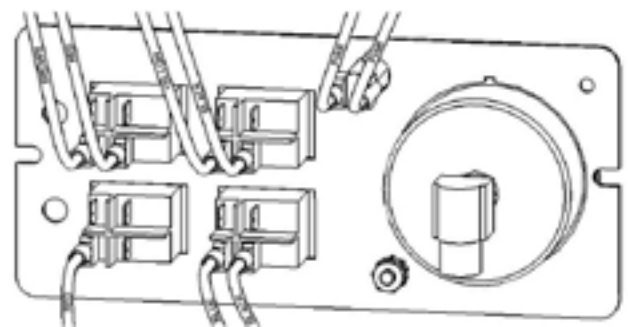
PROPERTY AND CONFIDENTIAL INFORMATION IS THE PROPERTY OF MYTEE PRODUCTS, INC. ANY REPRODUCTION OR USE OF THIS DRAWING WITHOUT THE WRITTEN PERMISSION OF MYTEE PRODUCTS, INC. IS PROHIBITED.

# 1005DX SPEEDSTER WIRING SCHEMATIC

## 1005DX 115 Volt System



10/1/2015



# NOTES



Mytee Products Inc.  
13655 Stowe Dr.  
Poway, CA 92064  
[www.mytee.com](http://www.mytee.com)

© 2015 Mytee Products Inc.  
Printed in the U.S.A.