

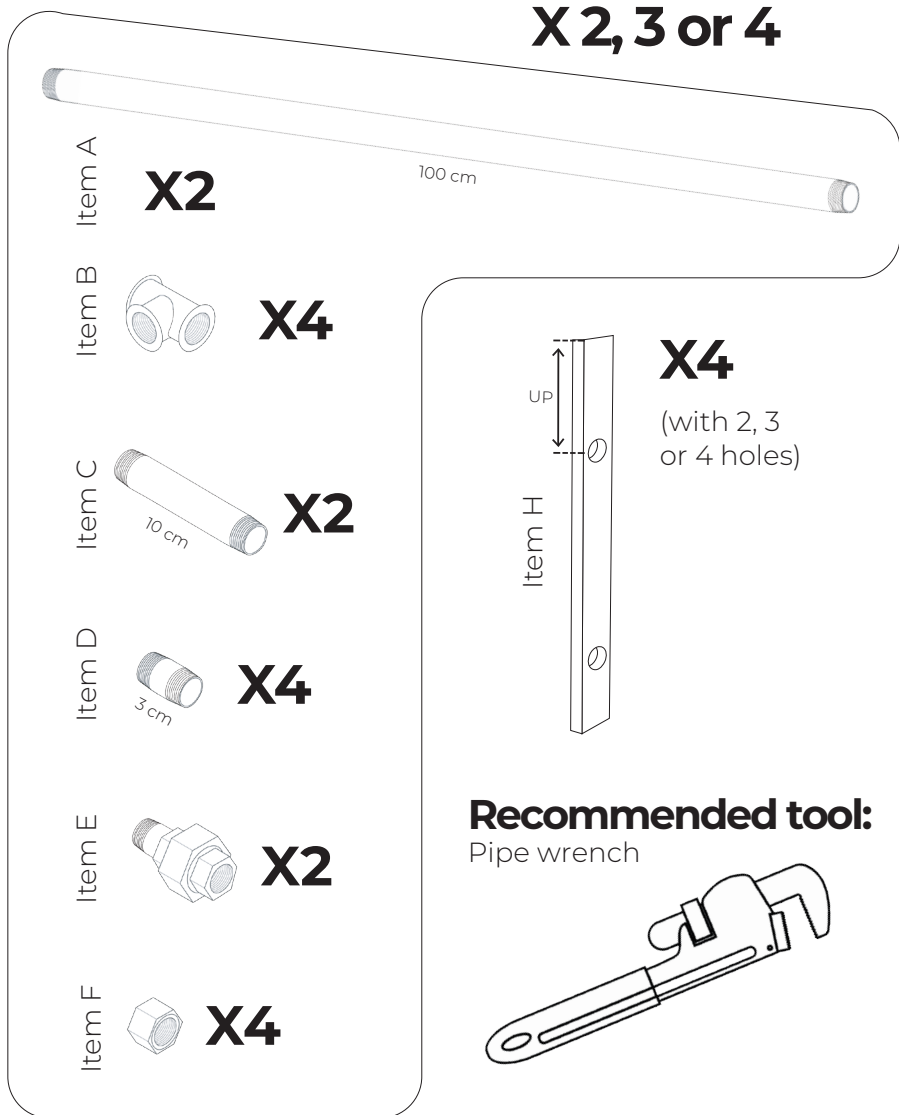
SHOE RACK

Rack
Buddy



Please follow assembly instructions to make sure your RackBuddy experience will serve you the way you deserve.

PARTS

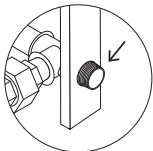
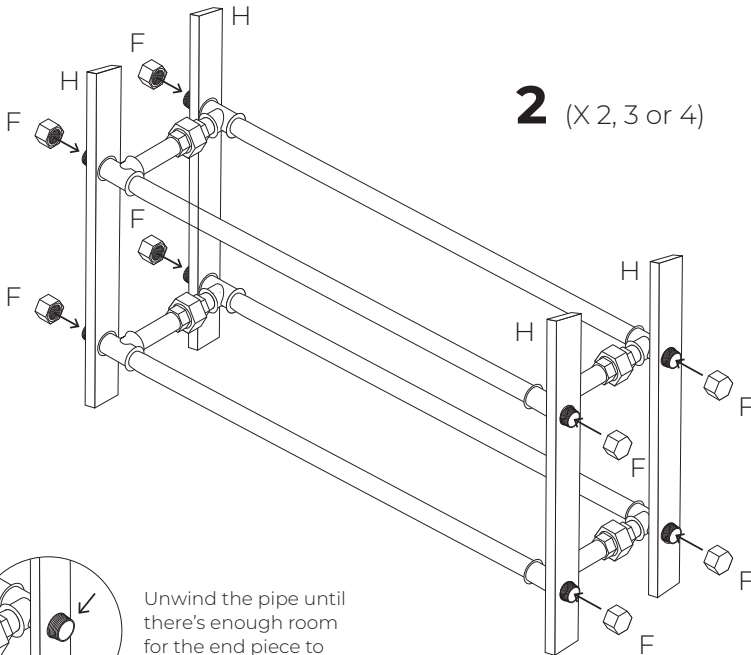
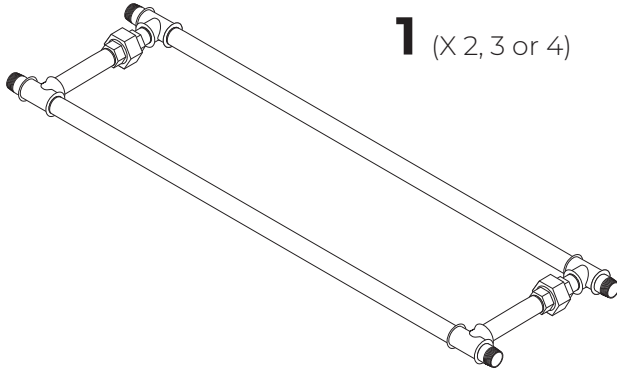


OBS! Please be aware that the pipes might be dirty. Please apply the gloves attached.

RackBuddy racks can be assembled manually. We recommend using tools (pipe wrenches) and that everything is tightened well to achieve the best possible stability and result.

Once RackBuddy rack has been assembled, remember to wipe it clean before use.

INSTRUCTIONS



Unwind the pipe until there's enough room for the end piece to be put back on.

If unstable? press down on each corner before tightening F.



Rack Buddy

rackbuddy.com

