

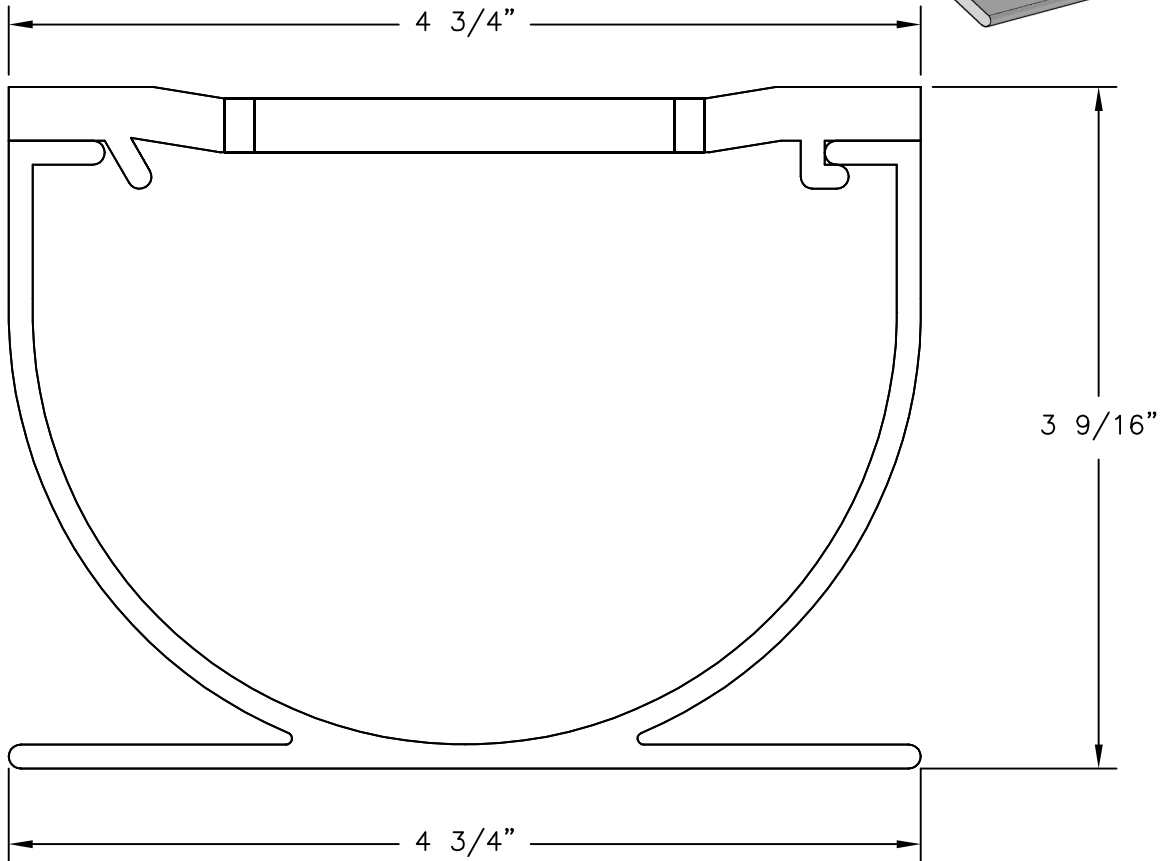
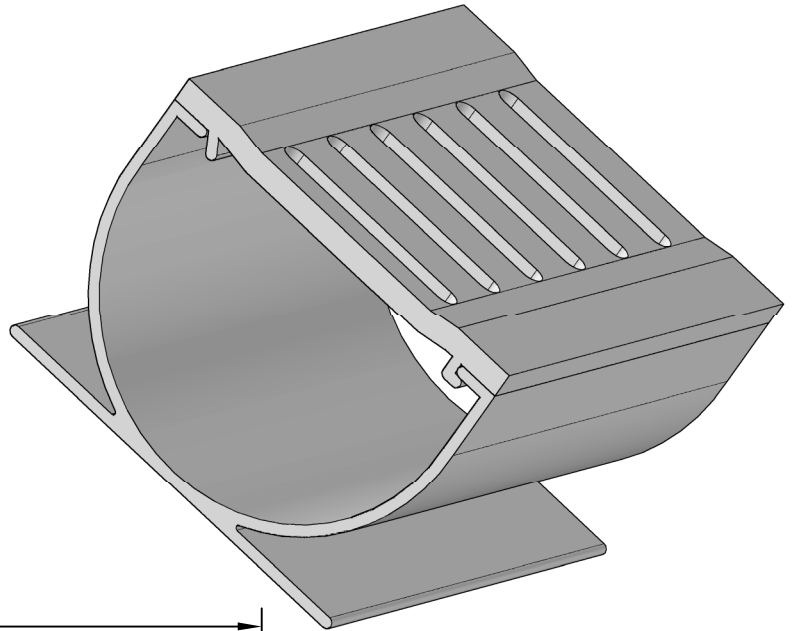


Name: 4" WATER HOG® DECK DRAIN

Number: QP-6251 AND QP-6252

250 Route 61 South, Schuylkill Haven, PA 17972 • 570-385-4733 • fax: 570-385-1318 • CustomerService@CardinalSystemsinc.com

NOTE: DETAIL NOT TO SCALE



Date: 7/3/13

Scale: 1" = 1"

Notes: QP-6251 IS 6' LENGTH. QP-6252 IS 10' LENGTH.  
AVAILABLE COLORS - WHITE, GRAY, AND TAN



CardinalSystemsInc.com

This Information is the confidential property of Cardinal Systems, Inc. Disclosure or duplication without proper written approval is strictly prohibited. Acceptance and use of this drawing constitutes knowledge and acceptance by the user of the terms and conditions set forth in the notice and warning which accompanied this drawing is incorporated herein and made part hereof and is found on Cardinal Systems, Inc's website at www.CardinalSystemsInc.com

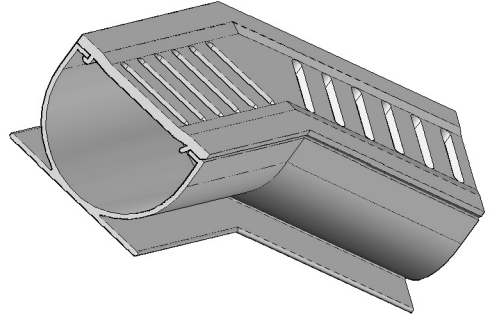
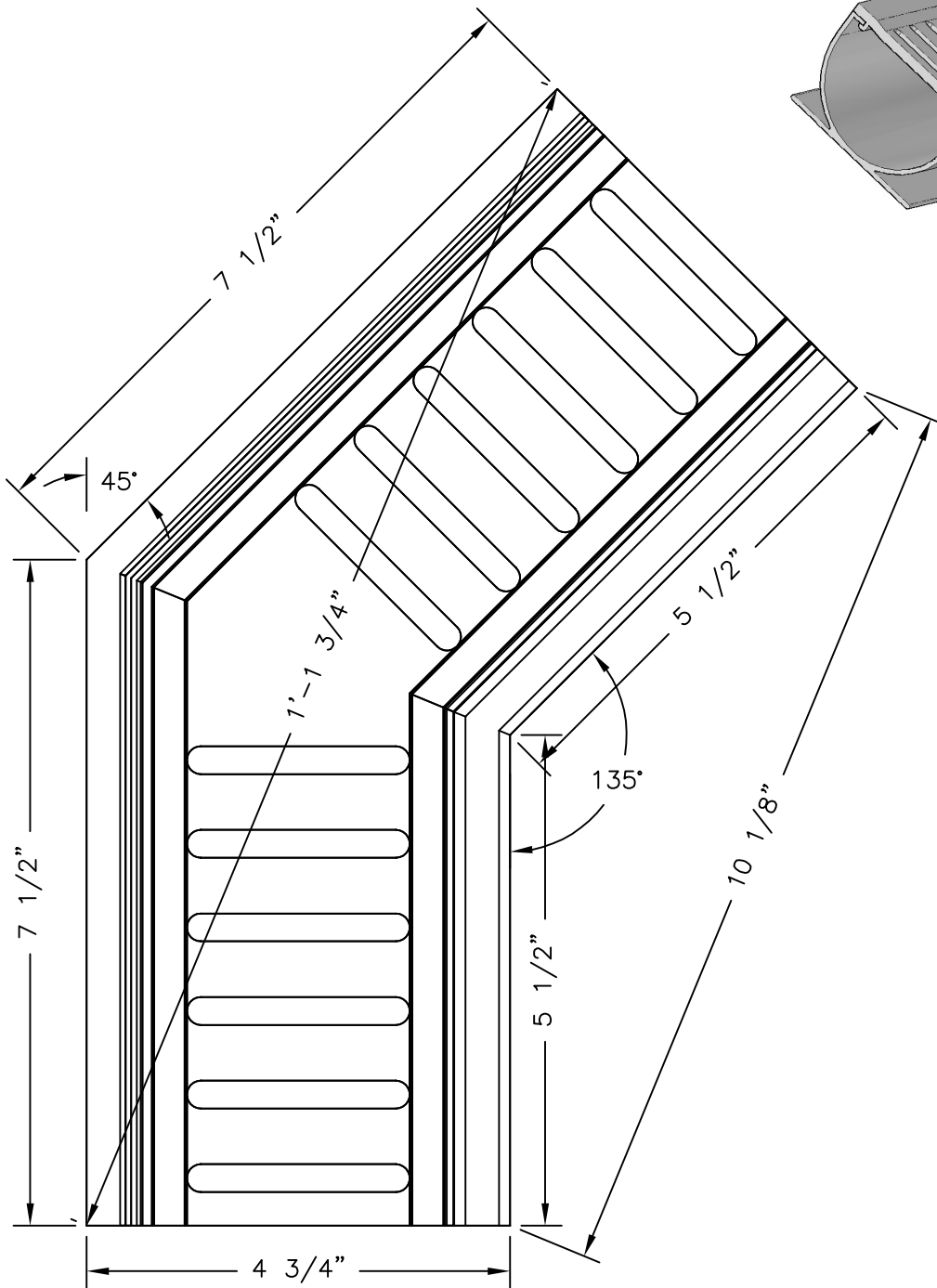


Name: 4" WATER HOG® 45° FITTING

Number: QP-6253

250 Route 61 South, Schuylkill Haven, PA 17972 • 570-385-4733 • fax: 570-385-1318 • CustomerService@CardinalSystemsInc.com

NOTE: DETAIL NOT TO SCALE



Date: 7/11/13

Scale: 1/2" = 1"

Notes: FITS QUAKER QP-6251 AND QP-6252  
AVAILABLE COLORS - WHITE, GRAY, AND TAN



CardinalSystemsInc.com

This information is the confidential property of Cardinal Systems, Inc. Disclosure or duplication without proper written approval is strictly prohibited. Acceptance and use of this drawing constitutes knowledge and acceptance by the user of the terms and conditions set forth in the notice and warning which accompanied this drawing is incorporated herein and made part hereof and is found on Cardinal Systems, Inc's website at [www.CardinalSystemsInc.com](http://www.CardinalSystemsInc.com)

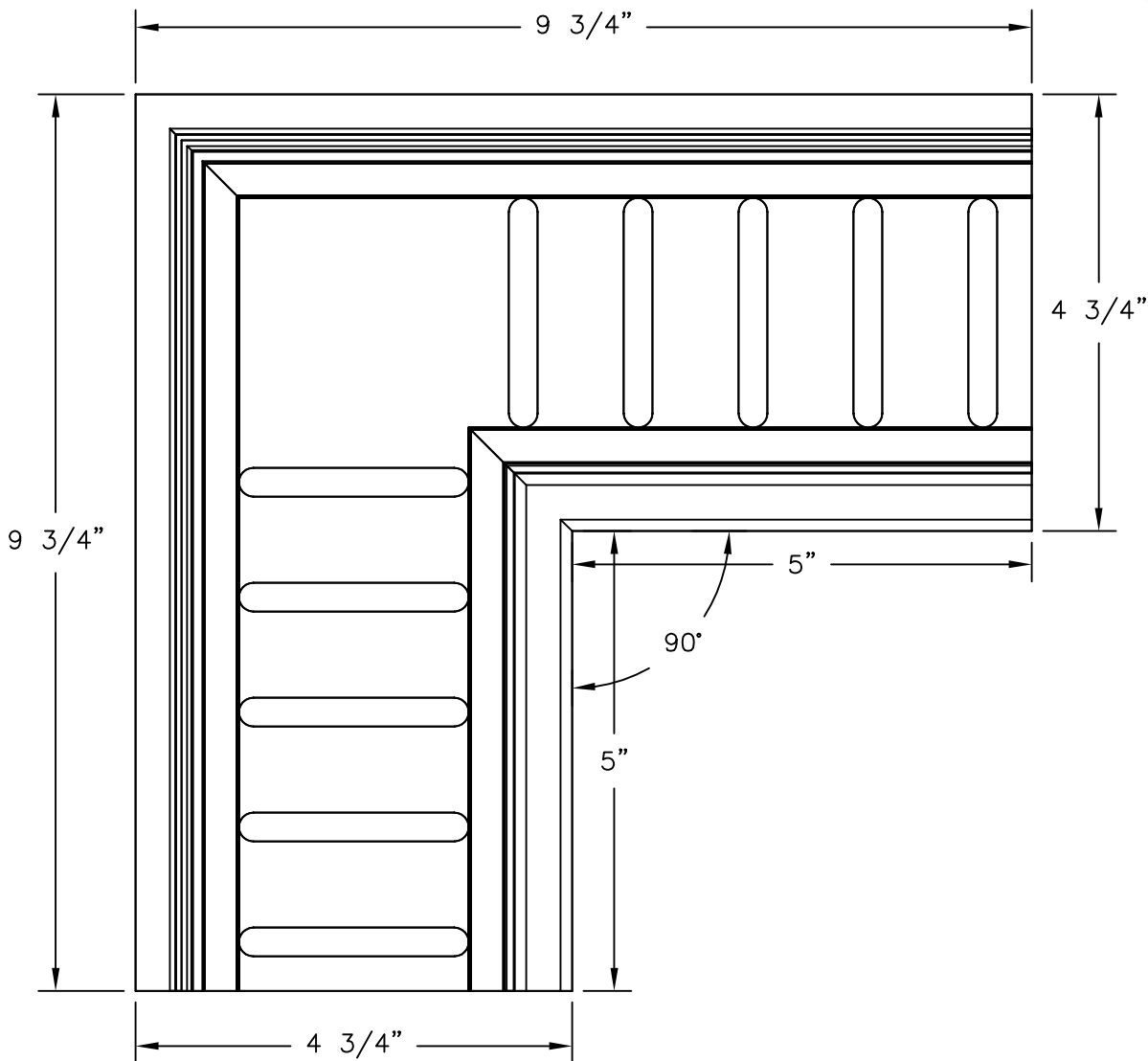
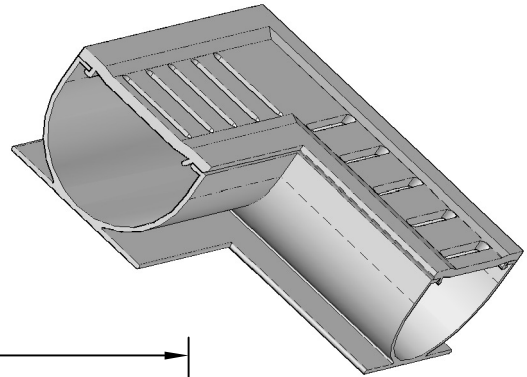


Name: 4" WATER HOG® 90° FITTING

Number: QP-6254

250 Route 61 South, Schuylkill Haven, PA 17972 • 570-385-4733 • fax: 570-385-1318 • CustomerService@CardinalSystemsInc.com

NOTE: DETAIL NOT TO SCALE



Date: 7/29/13

Scale: 1/2" = 1"

Notes: FITS QUAKER QP-6251 AND QP-6252  
AVAILABLE COLORS - WHITE, GRAY, AND TAN



CardinalSystemsInc.com

This information is the confidential property of Cardinal Systems, Inc. Disclosure or duplication without proper written approval is strictly prohibited. Acceptance and use of this drawing constitutes knowledge and acceptance by the user of the terms and conditions set forth in the notice and warning which accompanied this drawing is incorporated herein and made part hereof and is found on Cardinal Systems, Inc's website at [www.CardinalSystemsInc.com](http://www.CardinalSystemsInc.com)

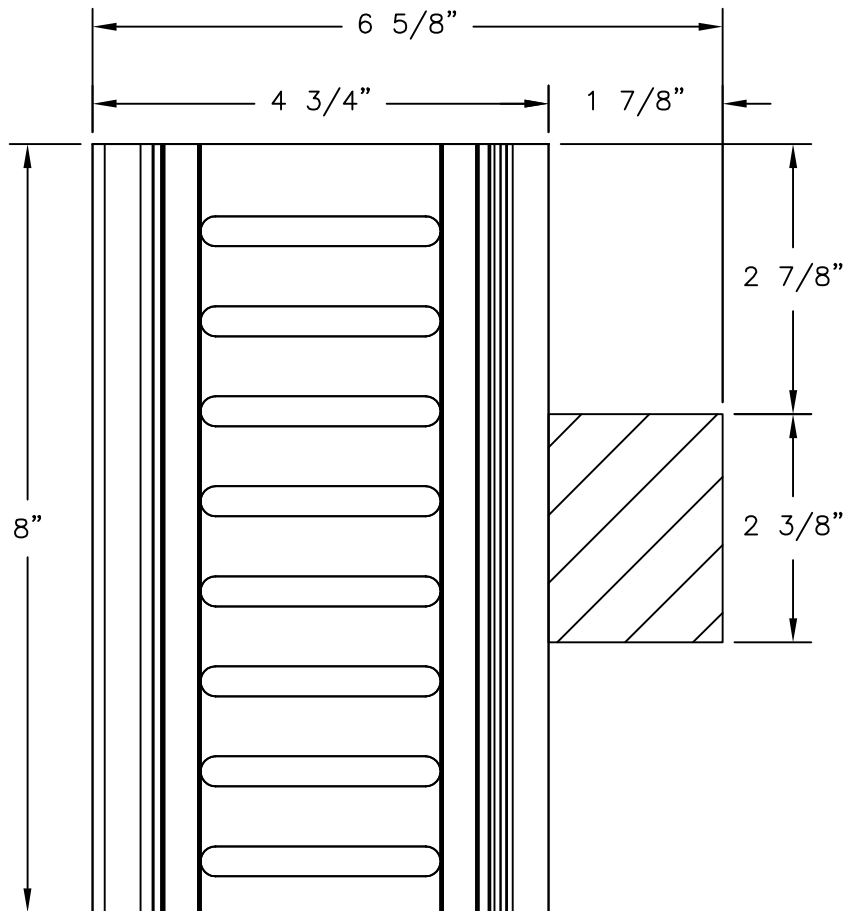
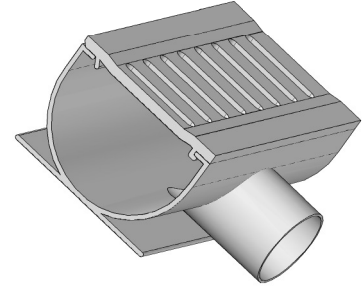


Name: 4" WATER HOG® SIDE DRAINOUT

Number: QP-6255

250 Route 61 South, Schuylkill Haven, PA 17972 • 570-385-4733 • fax: 570-385-1318 • CustomerService@CardinalSystemsInc.com

NOTE: DETAIL NOT TO SCALE



Date: 7/29/13

Scale: 1/2" = 1"

Notes: FITS QUAKER QP-6251 AND QP-6252  
AVAILABLE COLORS - WHITE, GRAY, AND TAN



CardinalSystemsInc.com

This information is the confidential property of Cardinal Systems, Inc. Disclosure or duplication without proper written approval is strictly prohibited. Acceptance and use of this drawing constitutes knowledge and acceptance by the user of the terms and conditions set forth in the notice and warning which accompanied this drawing is incorporated herein and made part hereof and is found on Cardinal Systems, Inc's website at [www.CardinalSystemsInc.com](http://www.CardinalSystemsInc.com)

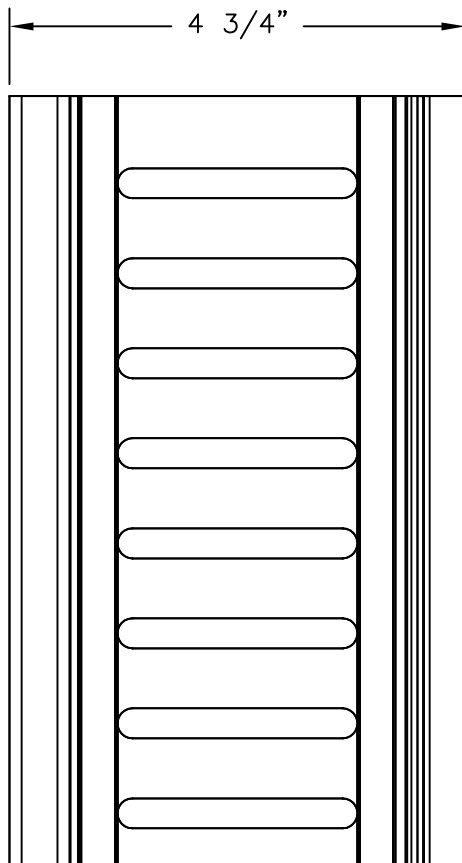
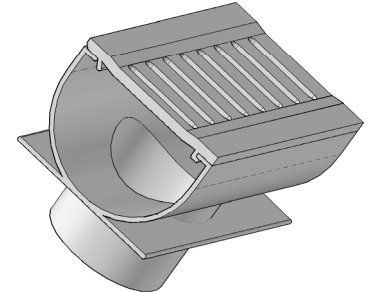


Name: 4" WATER HOG® BOTTOM DRAINOUT

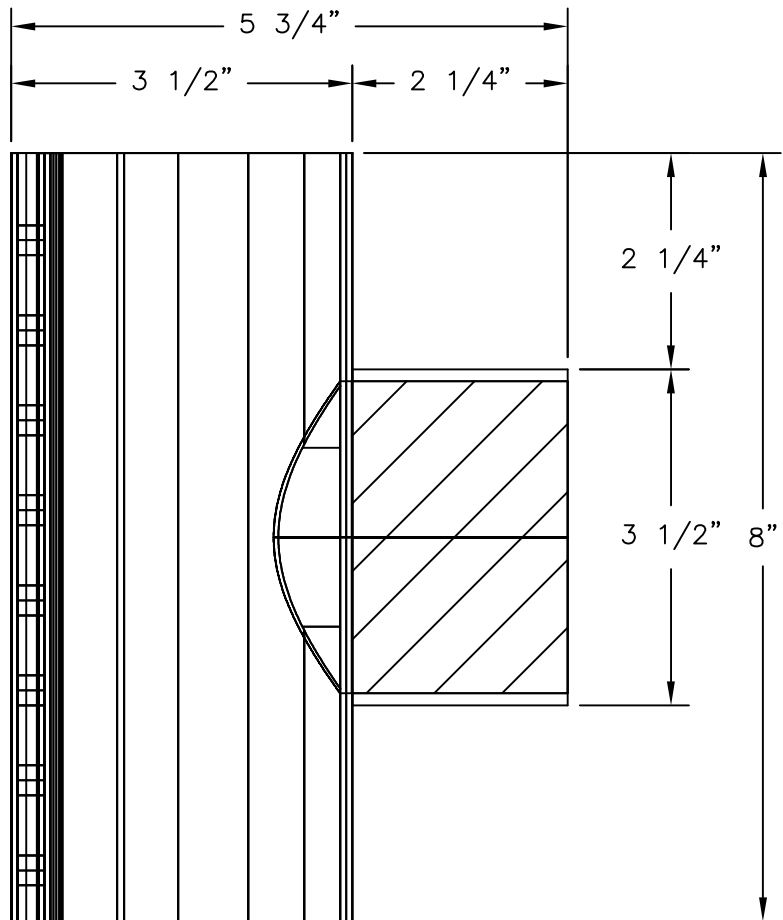
Number: QP-6256

250 Route 61 South, Schuylkill Haven, PA 17972 • 570-385-4733 • fax: 570-385-1318 • CustomerService@CardinalSystemsInc.com

NOTE: DETAIL NOT TO SCALE



TOP VIEW



SIDE VIEW

Date: 7/29/13

Scale: 1/2" = 1"

Notes: FITS QUAKER QP-6251 AND QP-6252  
AVAILABLE COLORS - WHITE, GRAY, AND TAN



CardinalSystemsInc.com

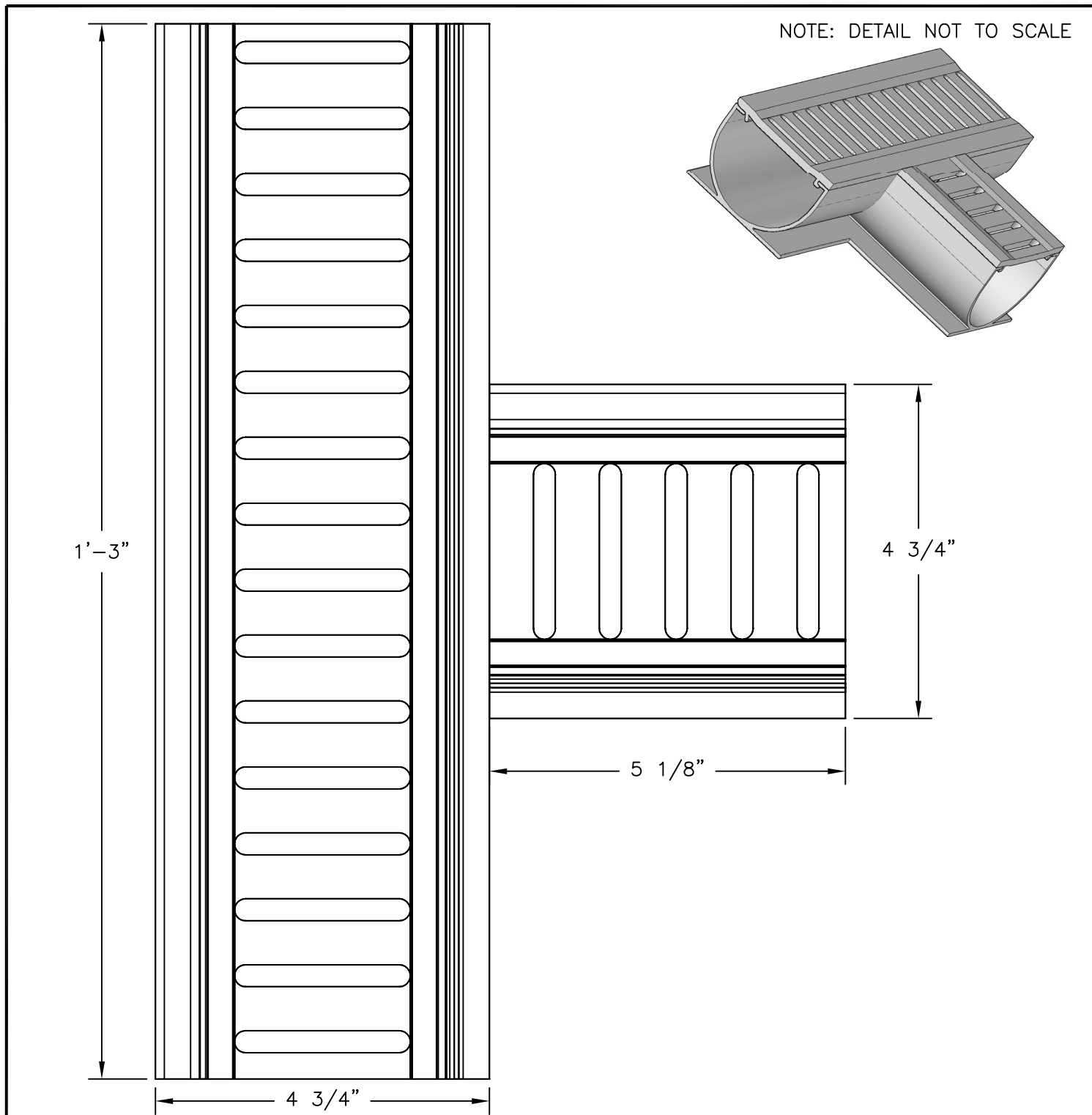
This information is the confidential property of Cardinal Systems, Inc. Disclosure or duplication without proper written approval is strictly prohibited. Acceptance and use of this drawing constitutes knowledge and acceptance by the user of the terms and conditions set forth in the notice and warning which accompanied this drawing is incorporated herein and made part hereof and is found on Cardinal Systems, Inc's website at www.CardinalSystemsInc.com



Name: 4" WATER HOG® UNIVERSAL TEE FITTING

Number: QP-6257

250 Route 61 South, Schuylkill Haven, PA 17972 • 570-385-4733 • fax: 570-385-1318 • CustomerService@CardinalSystemsInc.com



Date: 7/30/13

Scale: 1/2" = 1"

Notes: FITS QUAKER QP-6251 AND QP-6252  
AVAILABLE COLORS - WHITE, GRAY, AND TAN



CardinalSystemsInc.com

This information is the confidential property of Cardinal Systems, Inc. Disclosure or duplication without proper written approval is strictly prohibited. Acceptance and use of this drawing constitutes knowledge and acceptance by the user of the terms and conditions set forth in the notice and warning which accompanied this drawing is incorporated herein and made part hereof and is found on Cardinal Systems, Inc's website at [www.CardinalSystemsInc.com](http://www.CardinalSystemsInc.com)

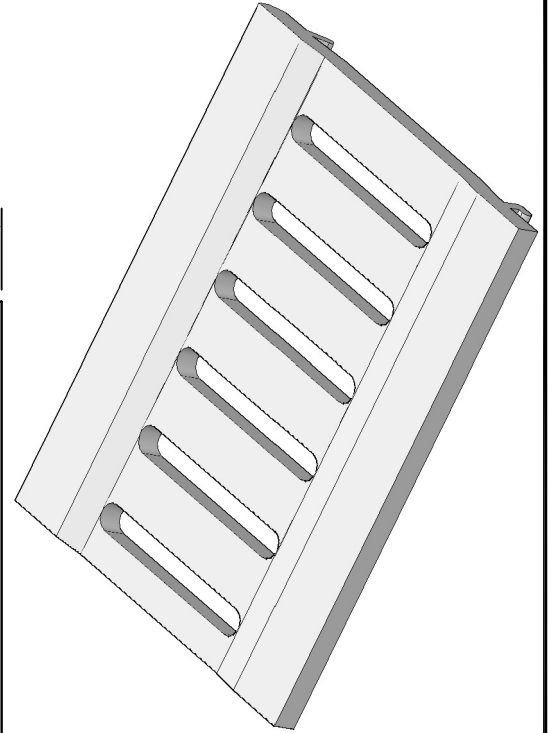
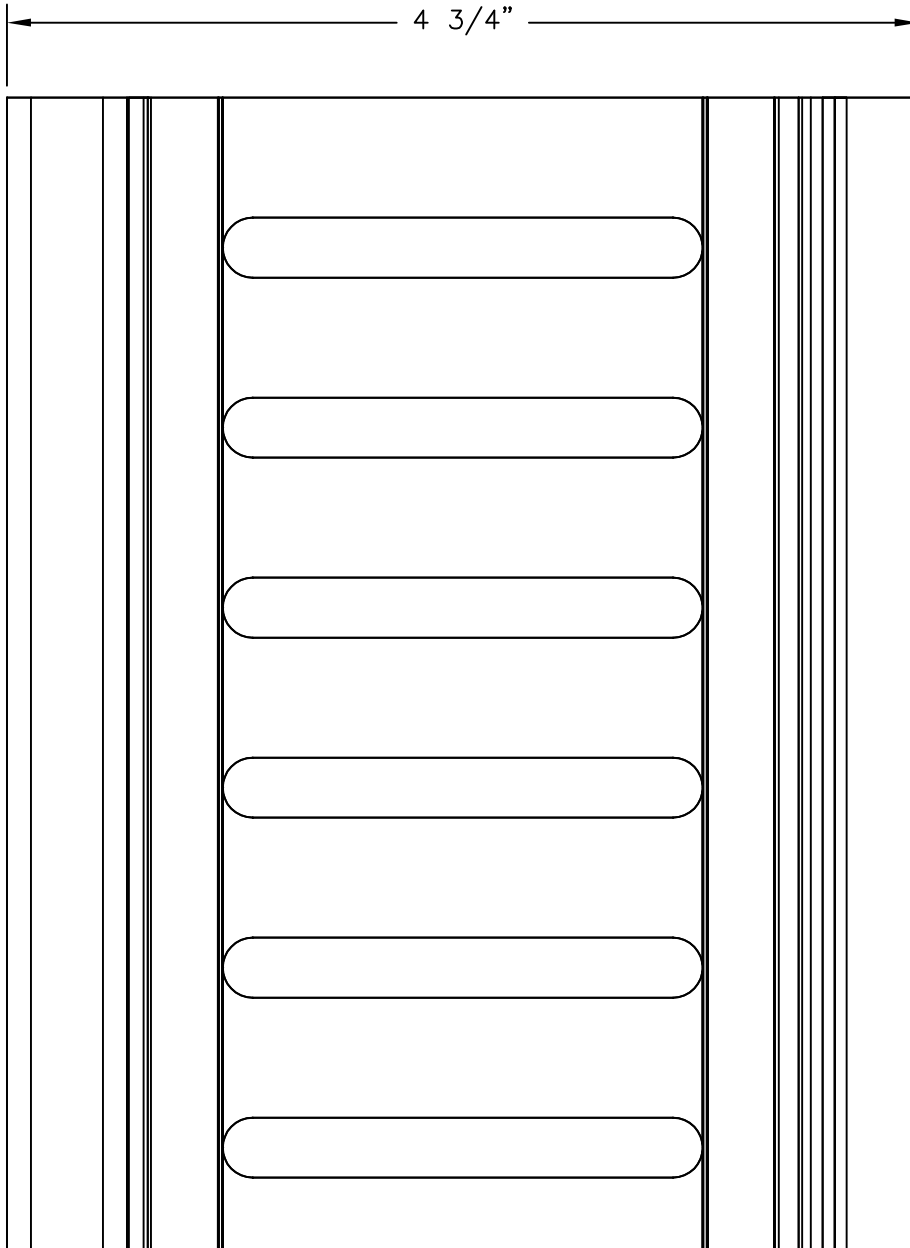


Name: 4" WATER HOG® REPLACEMENT TOP

Number: QP-4951

250 Route 61 South, Schuylkill Haven, PA 17972 • 570-385-4733 • fax: 570-385-1318 • CustomerService@CardinalSystemsinc.com

NOTE: DETAIL NOT TO SCALE



Date: 7/31/13

Scale: 1" = 1"

Notes: AVAILABLE IN 6' LENGTH.  
AVAILABLE COLORS - WHITE, GRAY, AND TAN



CardinalSystemsInc.com

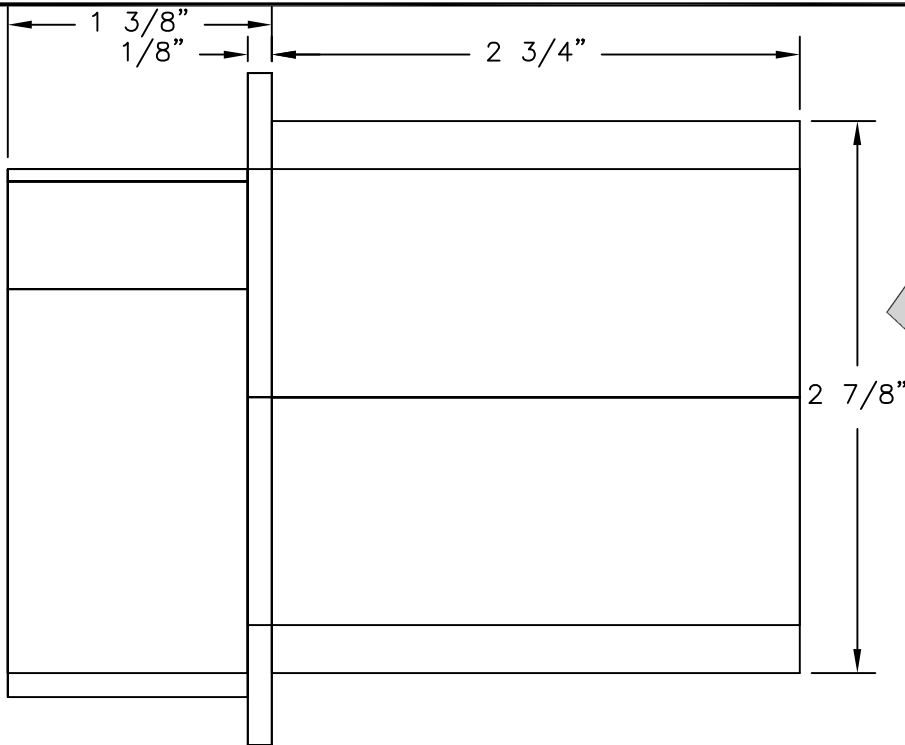
This Information is the confidential property of Cardinal Systems, Inc. Disclosure or duplication without proper written approval is strictly prohibited. Acceptance and use of this drawing constitutes knowledge and acceptance by the user of the terms and conditions set forth in the notice and warning which accompanied this drawing is incorporated herein and made part hereof and is found on Cardinal Systems, Inc's website at www.CardinalSystemsInc.com



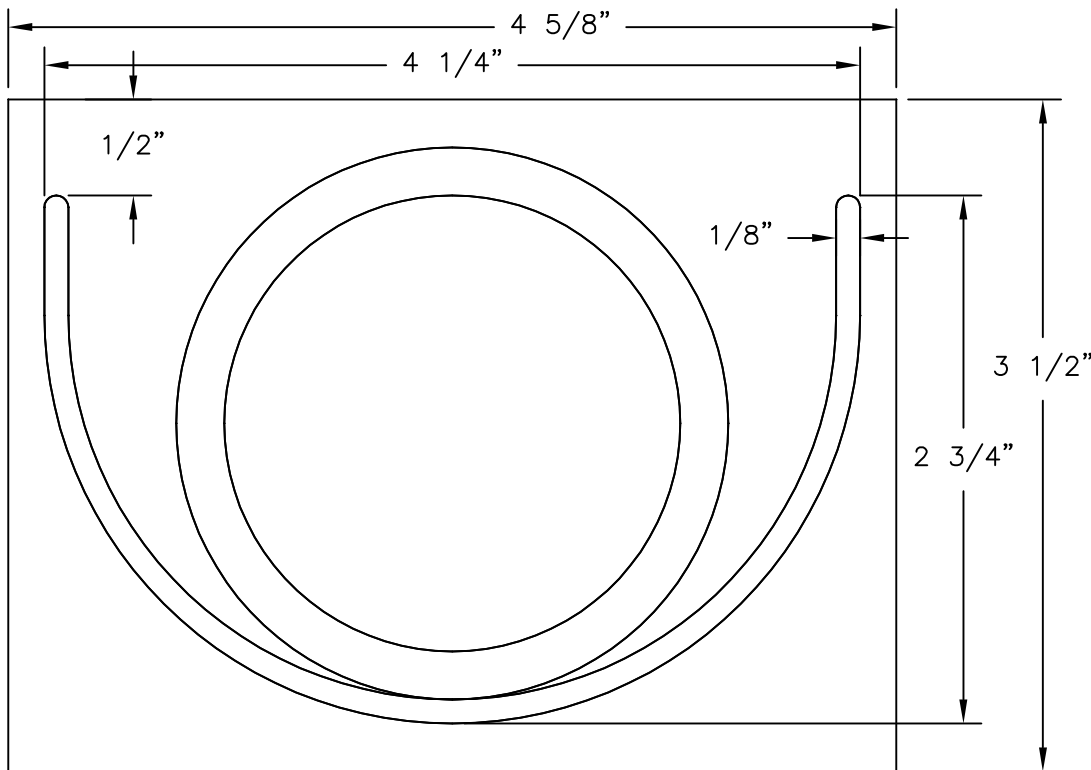
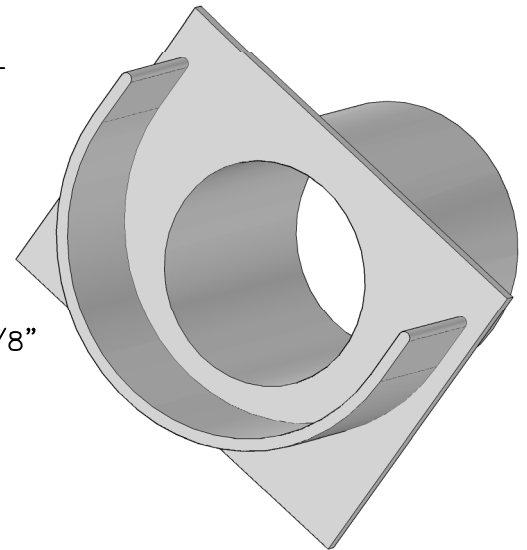
Name: 4" WATER HOG® END ADAPTER

Number: QP-496B

250 Route 61 South, Schuylkill Haven, PA 17972 • 570-385-4733 • fax: 570-385-1318 • CustomerService@CardinalSystemsinc.com



NOTE: DETAIL NOT TO SCALE



Date: 7/31/13

Scale: 1" = 1"

Notes: FITS QUAKER QP-6251 AND QP-6252  
GRAY FITTING, WHITE BASE PLATE



CardinalSystemsInc.com

This information is the confidential property of Cardinal Systems, Inc. Disclosure or duplication without proper written approval is strictly prohibited. Acceptance and use of this drawing constitutes knowledge and acceptance by the user of the terms and conditions set forth in the notice and warning which accompanied this drawing is incorporated herein and made part hereof and is found on Cardinal Systems, Inc.'s website at [www.CardinalSystemsInc.com](http://www.CardinalSystemsInc.com)



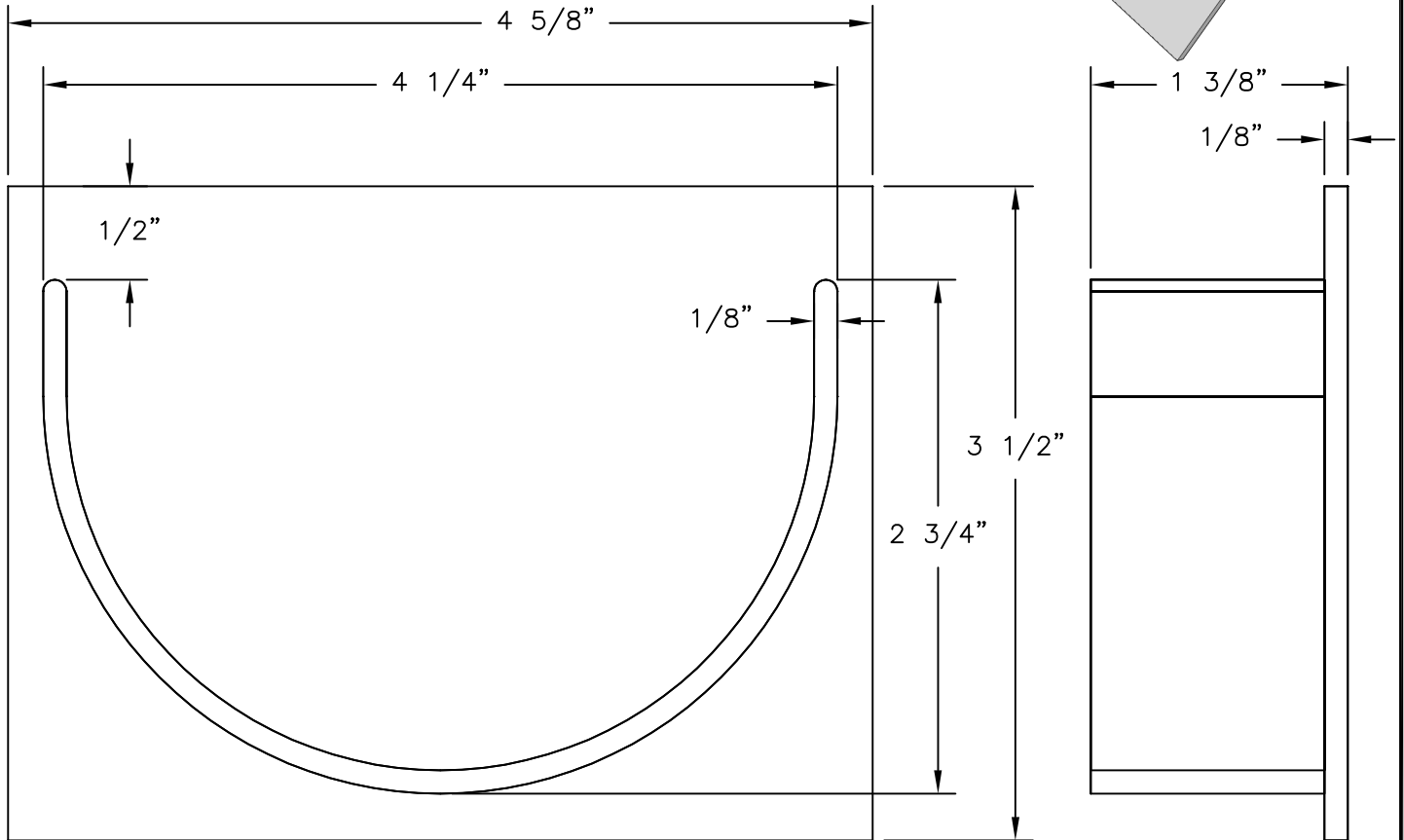
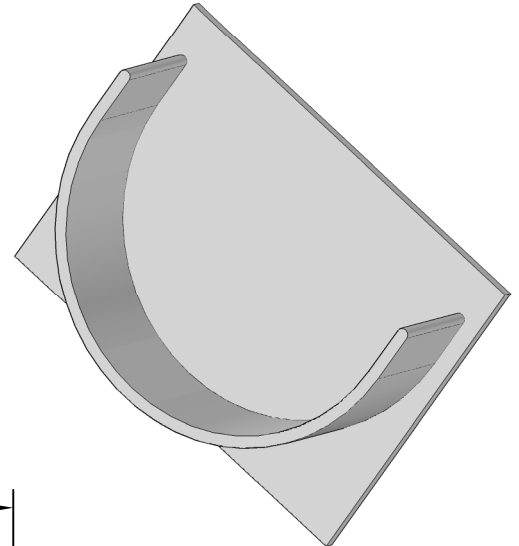


Name: 4" WATER HOG® END PLUG

Number: QP-496C

250 Route 61 South, Schuylkill Haven, PA 17972 • 570-385-4733 • fax: 570-385-1318 • CustomerService@CardinalSystemsInc.com

NOTE: DETAIL NOT TO SCALE



Date: 7/31/13

Scale: 1" = 1"

Notes: FITS QUAKER QP-6251 AND QP-6252  
GRAY FITTING, WHITE BASE PLATE



CardinalSystemsInc.com

This Information is the confidential property of Cardinal Systems, Inc. Disclosure or duplication without proper written approval is strictly prohibited. Acceptance and use of this drawing constitutes knowledge and acceptance by the user of the terms and conditions set forth in the notice and warning which accompanied this drawing is incorporated herein and made part hereof and is found on Cardinal Systems, Inc's website at www.CardinalSystemsInc.com

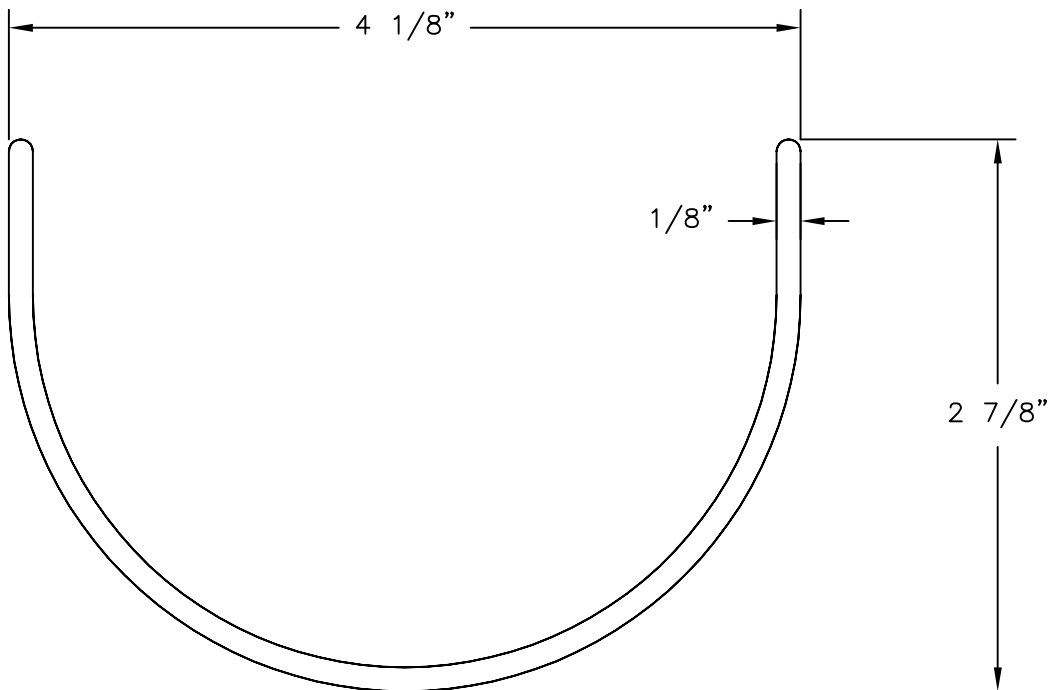
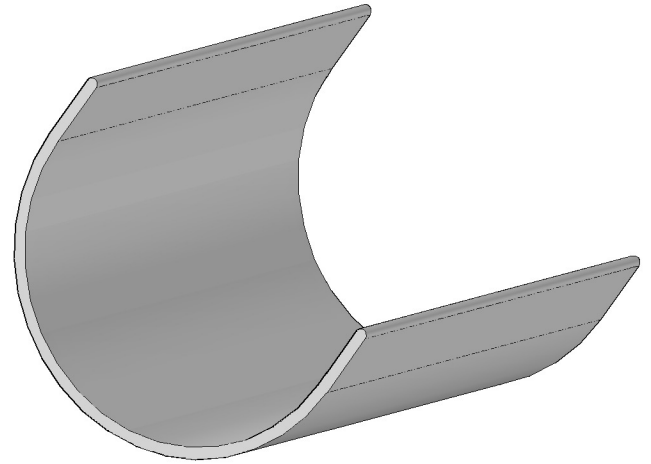


Name: 4" WATER HOG® CONNECTOR

Number: QP-4973

250 Route 61 South, Schuylkill Haven, PA 17972 • 570-385-4733 • fax: 570-385-1318 • CustomerService@CardinalSystemsInc.com

NOTE: DETAIL NOT TO SCALE



Date: 8/1/13

Scale: 1" = 1"

Notes: FITS QUAKER QP-6251 AND QP-6252  
AVAILABLE COLOR - GRAY ONLY



CardinalSystemsInc.com

This Information is the confidential property of Cardinal Systems, Inc. Disclosure or duplication without proper written approval is strictly prohibited. Acceptance and use of this drawing constitutes knowledge and acceptance by the user of the terms and conditions set forth in the notice and warning which accompanied this drawing is incorporated herein and made part hereof and is found on Cardinal Systems, Inc's website at [www.CardinalSystemsInc.com](http://www.CardinalSystemsInc.com)