

PHOTONTEK

HORTICULTURAL LIGHTING

X 465W PRO

PHOTONTEK FULL-SPECTRUM LED

The PhotonTek X 465W PRO Only the highest-grade materials and components are used in PHOTONTEK's LED fixtures. PHOTONTEK fixtures have industry-leading performance, delivering safe, dependable light.

2.7
μmol

/ J EFFICIENCY

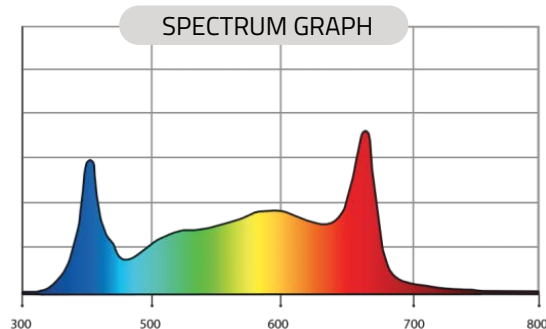
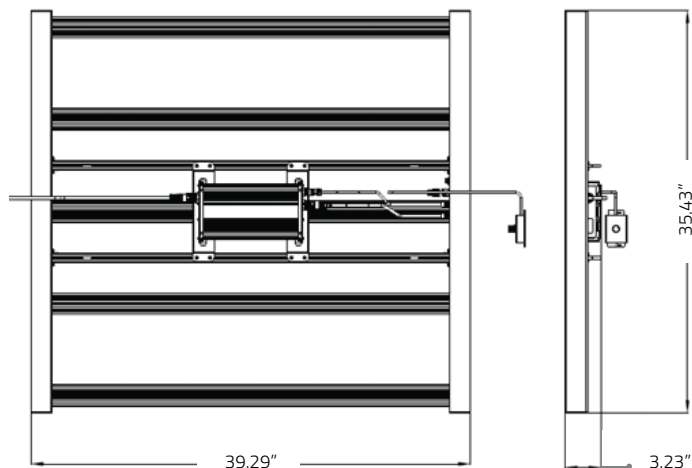


5 YEAR
WARRANTY

X 465W PRO

PHOTONTEK FULL-SPECTRUM LED

- EFFICACY** 2.7 $\mu\text{mol}/\text{J}$
- PPF** 1256 $\mu\text{mol}/\text{s}$
- INPUT VOLTAGE** 120-270V
- POWER CONSUMPTION** 465W
- COVERAGE AREA** 3' x 3' - 4' x 4'
- APPLICATION** Multi-layer, Room, Tent
- WATERPROOF & DUSTPROOF** IP65
- LIFETIME (LED BARS)** 60 000 hrs
- LIGHT DISTRIBUTION** 120°
- LIGHT SOURCE** Osram & Lumileds Philips Diodes
- DIODES RATIO** Red 15%, White 85%
- DIODES EFFICIENCY** Osram Dark Red 660NM 3.3 $\mu\text{mol}/\text{J}$;
Lumileds Philips White 2.9 $\mu\text{mol}/\text{J}$
- DIMMABLE** OFF-25%-50%-75%-100%
with 0-10V Light Dimmer (Included)
- EXTERNAL CONTROL** PHOTONTEK Digital Controller
- WEIGHT** 24.25 Lbs
- DIMENSIONS** 39.29" x 35.43" x 2.92"
- SPECTRUM** Full Spectrum
- THERMAL MANAGEMENT** Passive
- BTU** (With Driver Attached): 1706 BTUs/h
(With Driver Remote): 1586 BTUs/h
- POWER FACTOR** >0.95
- DRIVER LOCATION** Fixed in structure or detachable
for remote use (Extension Cables
Sold Separately)
- WARRANTY** 5 Years
- CERTIFICATIONS** FCC, CSA, IC, IP65



INPUT CURRENT (A/W) PER DIMMING RANGE

POWER (DIMMING)	25%	50%	75%	100%
AMPS	0.65	1.3	1.96	2.61
WATTAGE	116.3W	232.5W	348.8W	465W



FULL CONTROL

PhotonTek Pro LED Fixtures can be fully controlled with either the PhotonTek Digital Controller or with any other Control System that utilizes 0-10V output signal.

ITEMS INCLUDED IN THE BOX:

- 6 x PHOTONTEK 100W Full-Spectrum Magnet LED Bars
- 1 x PHOTONTEK 465W Driver with Connecting Cables
- 1 x LED Structure with Connecting Cables
- 1 x Power Cable (NEMA 5-15P Plug for 120V)
- 1 x 0-10V Light Dimmer + Velcro
- 2 x Metal Cable Hangers
- 1 x Manual

PPFD: PHOTOSYNTHETIC PHOTON FLUX DENSITY ($\mu\text{mol}/\text{m}^2/\text{s}$)

ALL TESTS CONDUCTED WITH 100% DRIVER POWER

FACTORS THAT CAN INFLUENCE PPFD TESTS

- TEST EQUIPMENT
- LAMP BEADS DEVIATION
- AMBIENT TEMPERATURE DEVIATION
- PC COVER TRANSMITTANCE DEVIATION
- POWER SOURCE EFFICIENCY DEVIATION
- REFLECTION CONSIDERED OR NOT

RECOMMENDED PPFD ($\mu\text{mol}/\text{m}^2/\text{s}$)

PLANT	SEED	CLONES	VEGETATIVE	FLOWERING
CANNABIS	100-300	75-150	300-550	650+
TOMATOES	150-350	75-150	350-550	650+
CUCUMBERS	100-300	--	300-550	650+
PEPPERS	150-350	--	300-550	650+

PHOTONTEK X 465W PRO PPFD MAPS

TEST AREA 4' X 4'

TEST POINTS 25

TEST EQUIPMENT INTEGRATING 2 METER SPHERE & EVERFINE PLA20

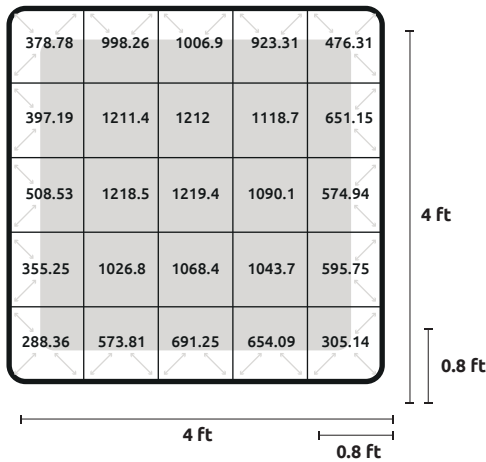
AMBIENT TEMPERATURE 25°

HEIGHT FROM CANOPY 5.9", 11.8", 19.7", 39.4", 59"

REFLECTION 0%

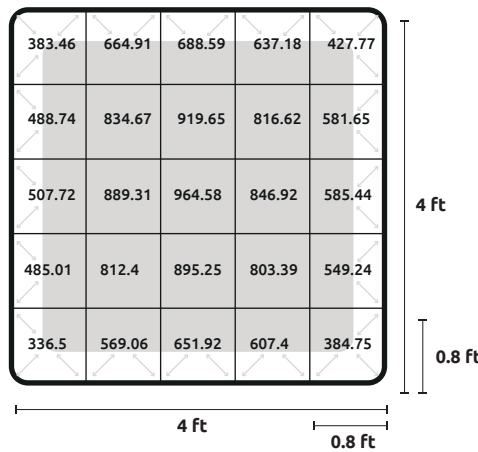
HEIGHT TO TEST POINT 5.9"

CANOPY AVERAGE PPFD 4'x4': 783.52 $\mu\text{mol}/\text{m}^2/\text{s}$



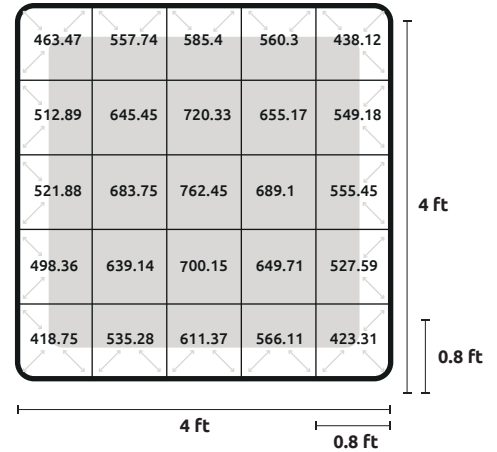
HEIGHT TO TEST POINT 11.8"

CANOPY AVERAGE PPFD 4'x4': 653.28 $\mu\text{mol}/\text{m}^2/\text{s}$



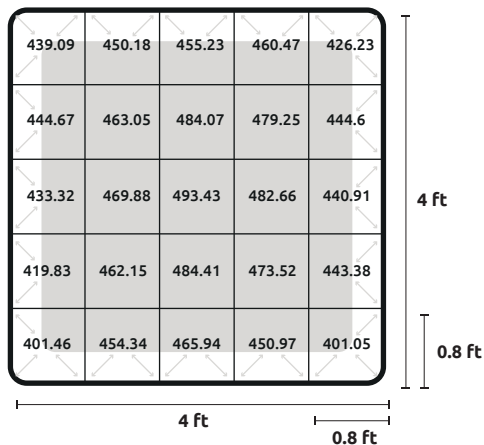
HEIGHT TO TEST POINT 19.7"

CANOPY AVERAGE PPFD 4'x4': 578.8 $\mu\text{mol}/\text{m}^2/\text{s}$



HEIGHT TO TEST POINT 39.4"

CANOPY AVERAGE PPFD 4'x4': 452.96 $\mu\text{mol}/\text{m}^2/\text{s}$



HEIGHT TO TEST POINT 59"

CANOPY AVERAGE PPFD 4'x4': 361.54 $\mu\text{mol}/\text{m}^2/\text{s}$

