



Coast & Country
Watertanks



ccwt.com.au

sales@ccwt.com.au

Freecall: 1800 826 570

SLIMLINE

Specification Sheet

The Slimline Water Tank



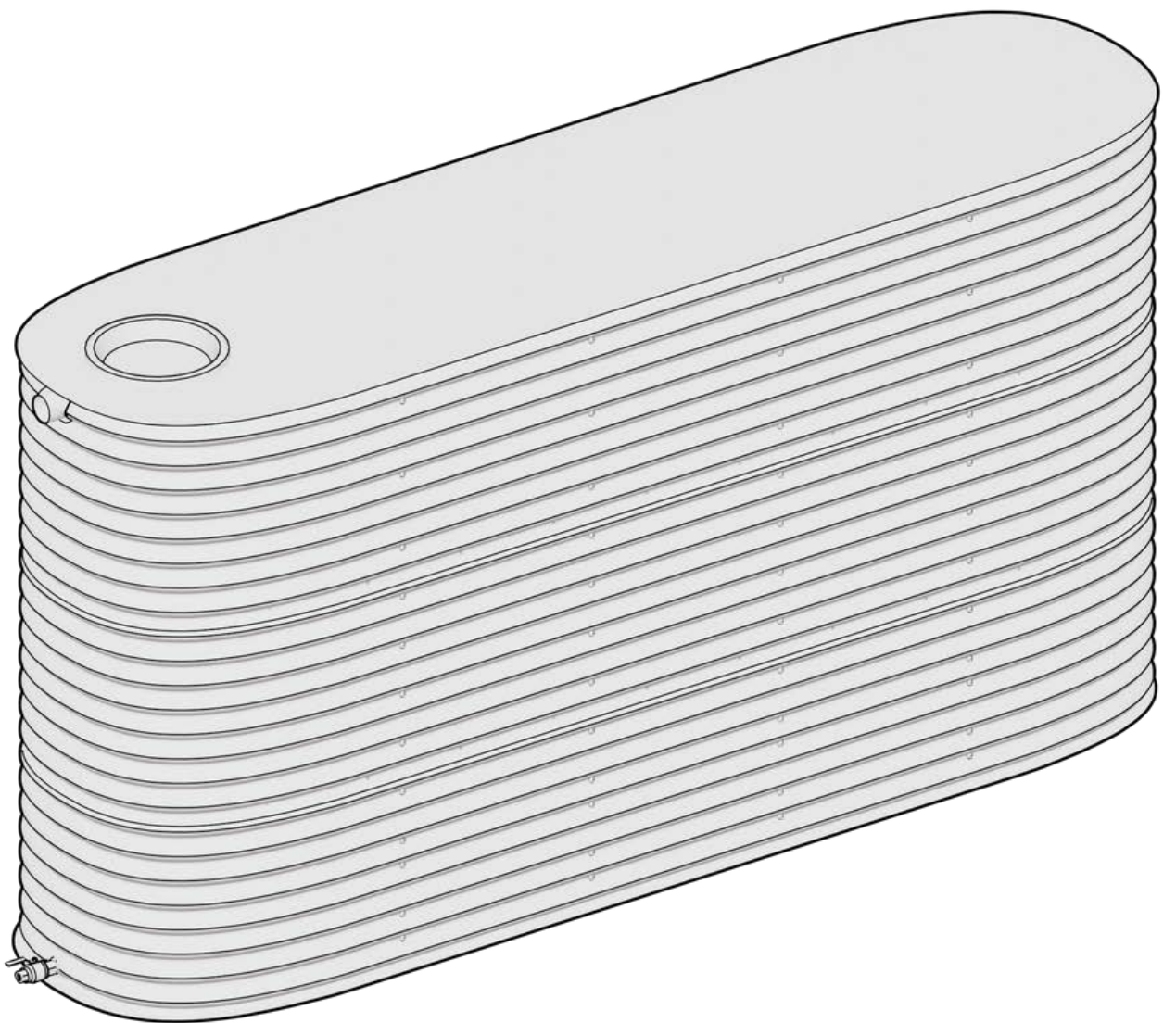
Coast & Country Water Tanks manufactures an extensive range of steel slimline rainwater tanks made specifically for the Australian domestic market. They are available in the complete modern range of Colorbond® colours, and capacities are available of up to 10,000 litres.



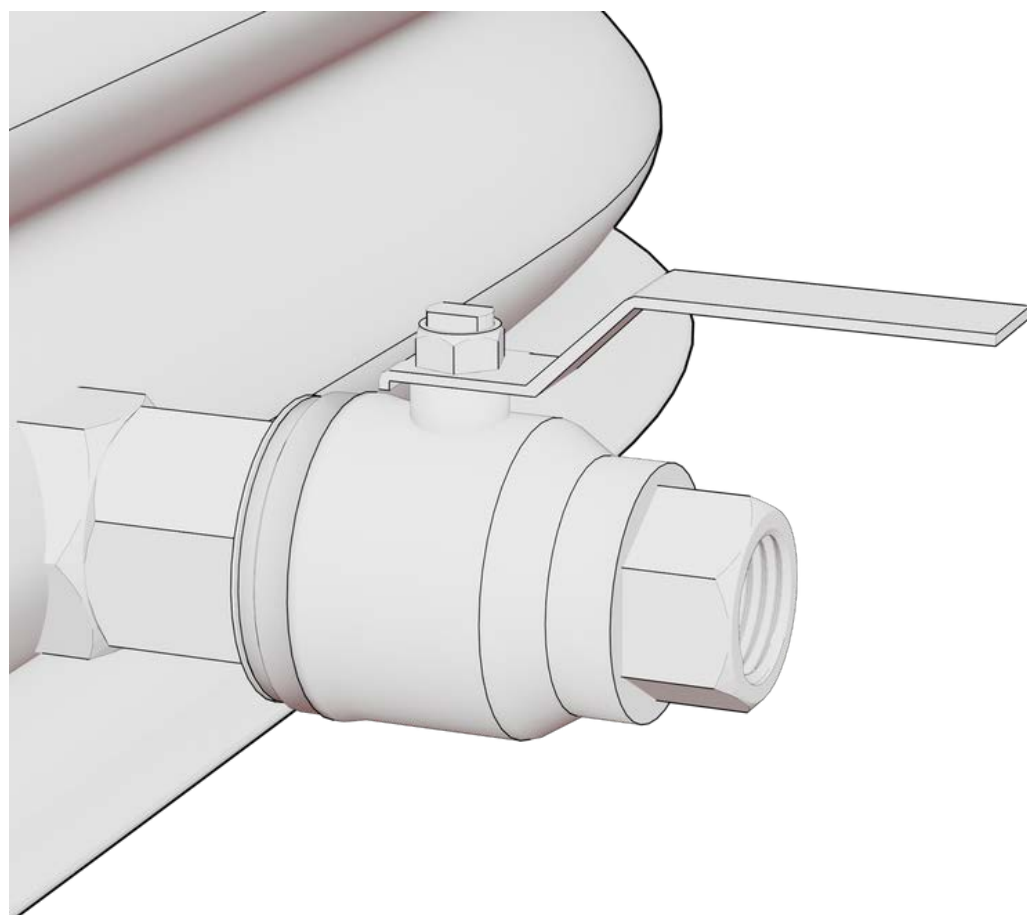
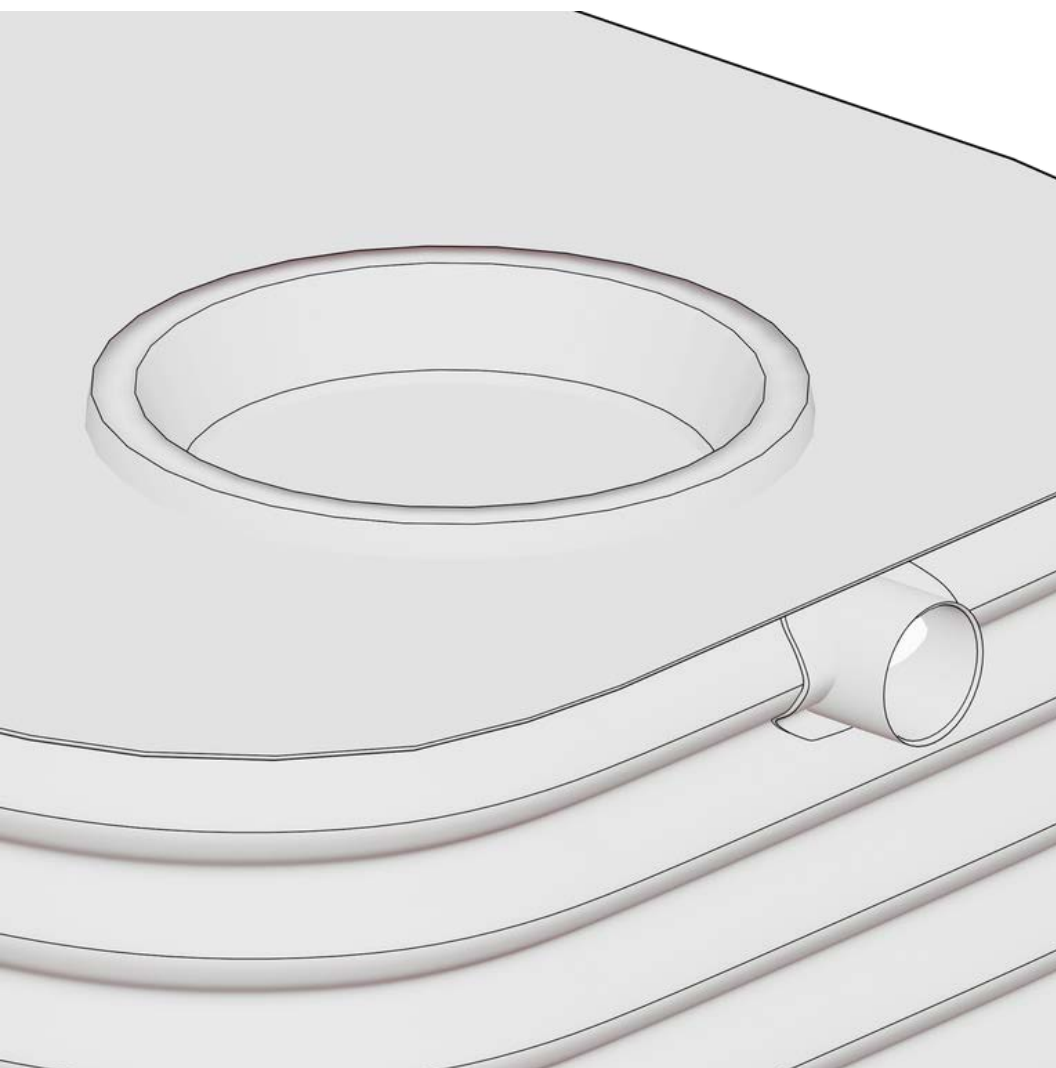
Slimline water tanks are the new classic, their shape is designed to fit down the side of suburban homes. They have rounded edges and a modern, sleek design.

Slimline water tanks are a cost effective way of getting a good water storage capacity in a tight space, and steel tanks give you the most capacity for the footprint taken up.

Slimline water tanks are also, as the name implies, the water tanks that can be the skinniest - Down to 550mm in width



Tank Inclusions



Each tank made by CCWT comes with the essential and standard fittings that every water tank needs. These are:

400mm Inlet Strainer - The inlet strainer is where the water enters your tank, and is the final filtration before the water is stored. The strainer is readily accessible for cleaning, and also acts as a great entry point to the tank for cleaning the tank itself, or any potential future maintenance to extend the life of the tank well past its warranty period. We also exclusively use the Australian designed and manufactured "Hi-Flow" strainers that allow the maximum amount of water flow into your tank. For these reasons, CCWT always recommends the use of an inlet strainer, even in "wet" or charged line systems when feeding the tank.

100mm Overflow - The overflow is for ensuring that the excess water from your tank can be flowed safely and effectively into your storm water drainage system.

25mm outlet and Ball Valve - The outlet is where you can draw the water from your tank. 25mm is the standard size that can be used for a variety of purposes, like using an external pump or using adapters that are readily available to convert the BSP thread to a hose for some gravity fed garden watering. Even if adding additional fittings like a bucket tap, CCWT always recommends keeping an outlet at the bottom of the tank to allow for draining.

Please note: Due to supply/availability, future product improvements, differing sizes or other scenarios, there may be variances in the appearance, but not function, of the fittings included as standard from those depicted here.

Additional Fittings

Slimline Tank Owners Favourites

Bucket Tap - A bucket tap fitting and valve is the most common addition to all of our tank shapes. It is a fitting placed 450mm from the base of the tank and a more traditional tap styled ball valve. The higher placement allows it to bypass any sludge that may build up at the bottom of your tank, as well as be more conveniently placed to put a watering can or bucket underneath it. The fittings nozzle is easily interchangeable, and allows a standard hose connection to plug straight in

OSD Kit - An OSD, or On Site Detention Kit, allows some or all of your tank to act as a stormwater detention system. This is often a requirement to reduce load on our stormwater drainage network, but having a steel slimline water tank will make up that extra capacity for the space used, allowing you to save some water in the tank you were required to have anyway.

Other Additional Fittings

Inlet Strainers - CCWT supplies a range of styles and sizes in inlet strainers. Adding an additional inlet point to your tank can be a cost effective way of adding inflow capacity and can save you money on additional pipework and plumbing to feed the tank.

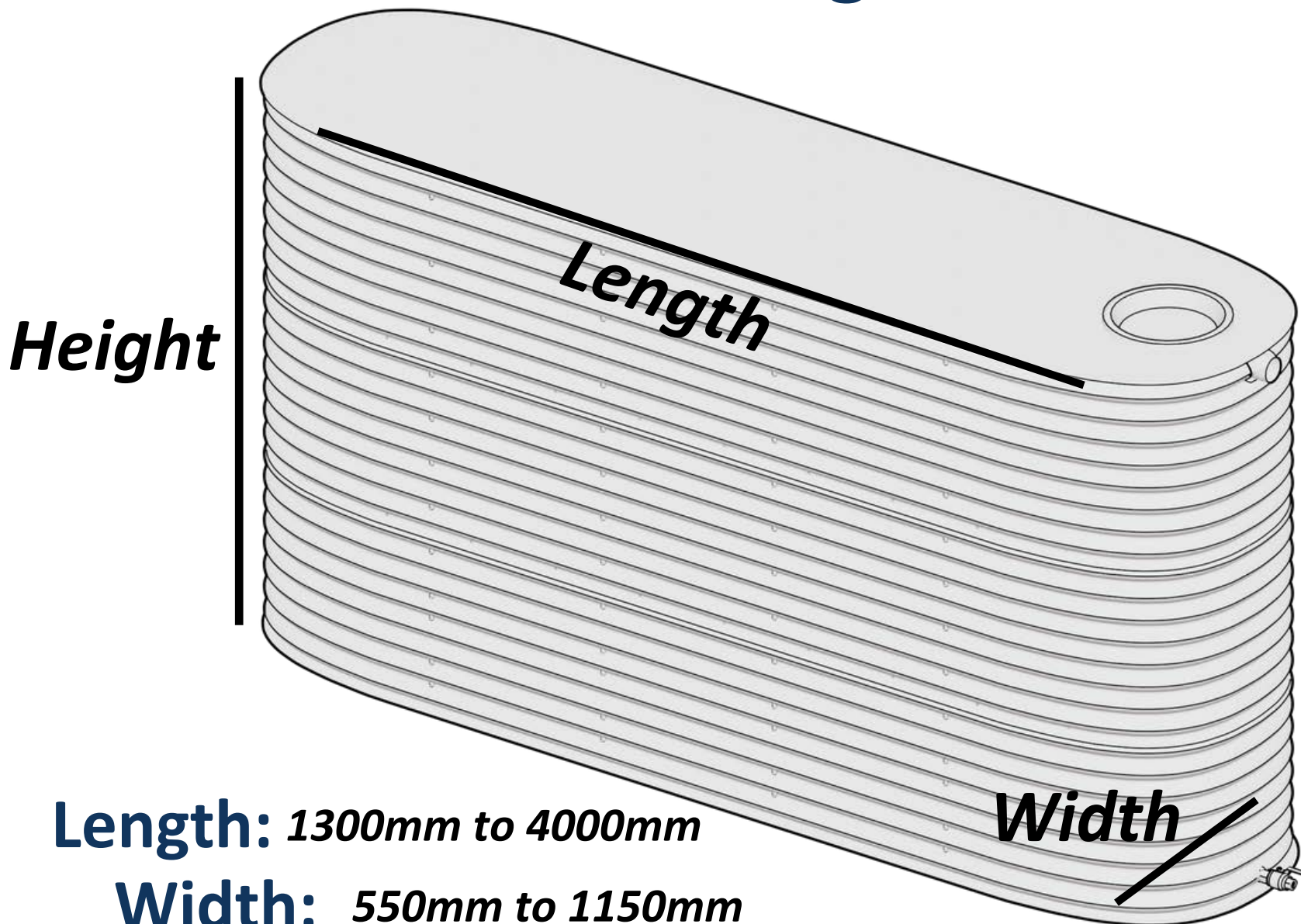
Outlets + Ball Valves - The outlets are the main purpose of the water tank, using your harvested water. The size and position of your outlets depends on what the intended use is, and the amount of sizes and styles is expansive. It's often a good idea to add any fittings for future use when ordering, as it can be much more expensive to add later.

Overflows - There is a variety of different overflow sizes that suit different applications, up to 150mm in PVC. Overflows can be used to join multiple tanks in series, so that when one is full it then feeds another, but standard PVC overflows cannot hold up to the pressure of potentially thousands of litres of water, for that you will need a boss fitting.

Tank Bosses - Tank Boss fittings are large and heavy duty cast fittings that integrate themselves into the wall of the tank to maintain rigidity and hold large amounts of pressure. Usually used for specific applications where large amounts of flow are required, or for a larger balance line that can withstand the pressure of larger tanks.

This is just a small sample of fittings that are available with your tank, for more information, please contact our team who will be happy to guide you to the right tank accessory for your needs

Sizing



Length: 1300mm to 4000mm

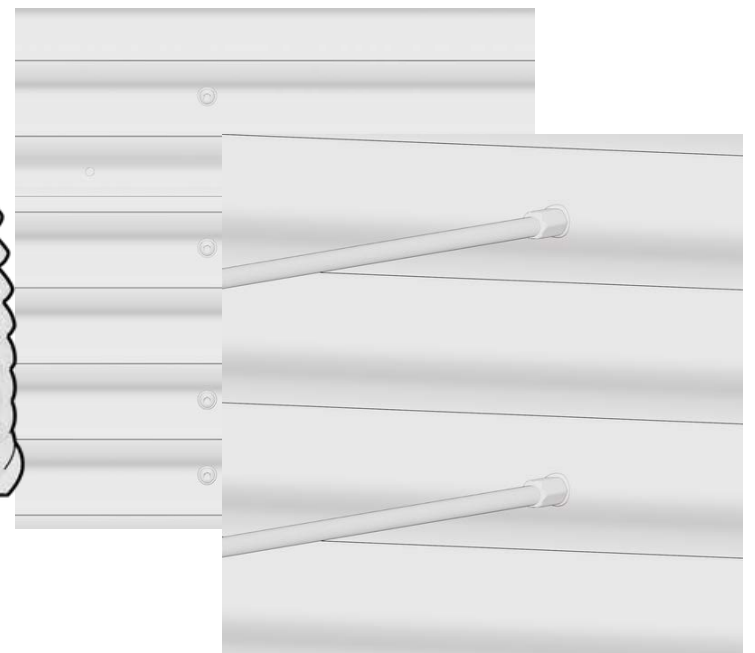
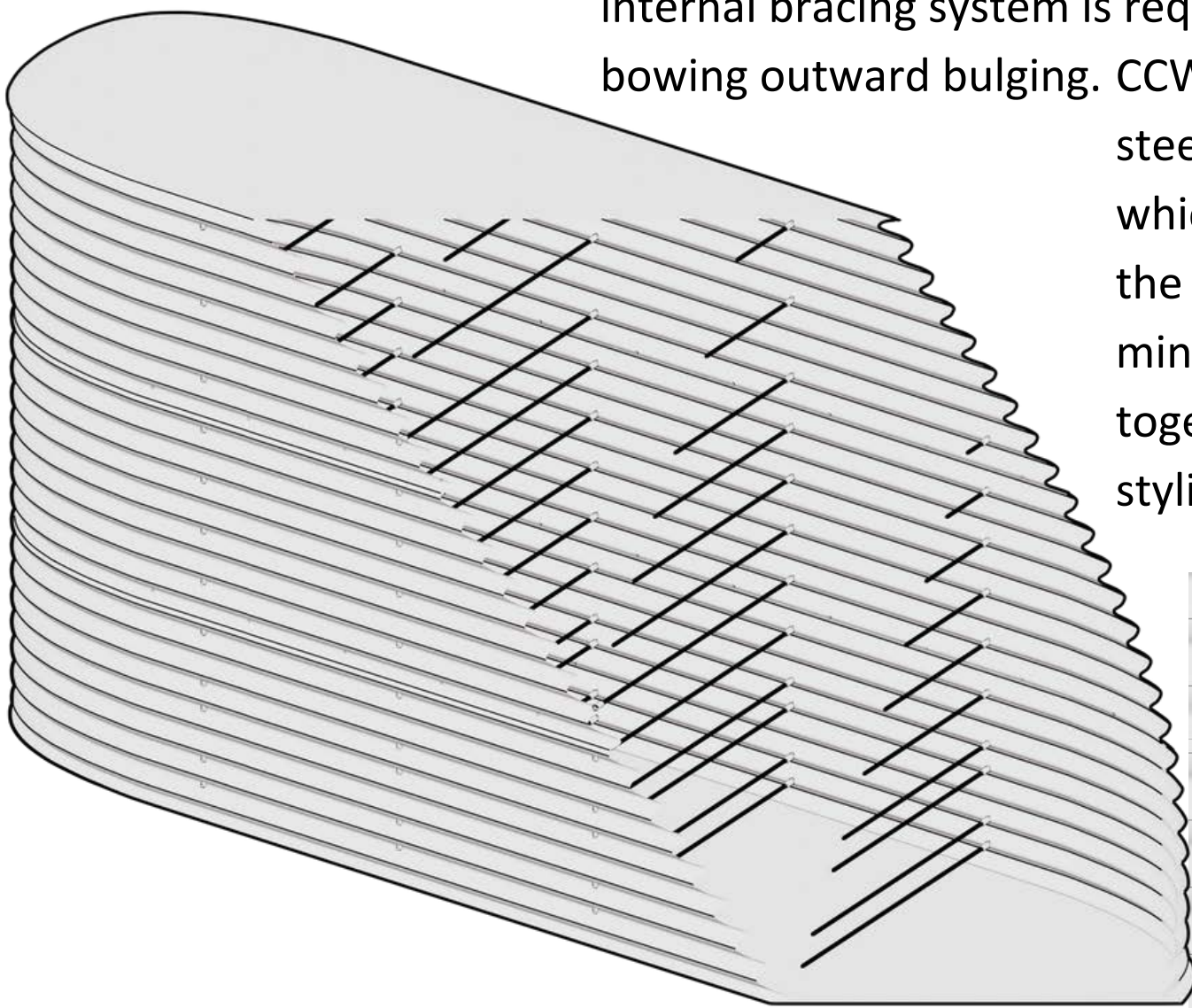
Width: 550mm to 1150mm

Height: 610mm to 2310mm

Bracing

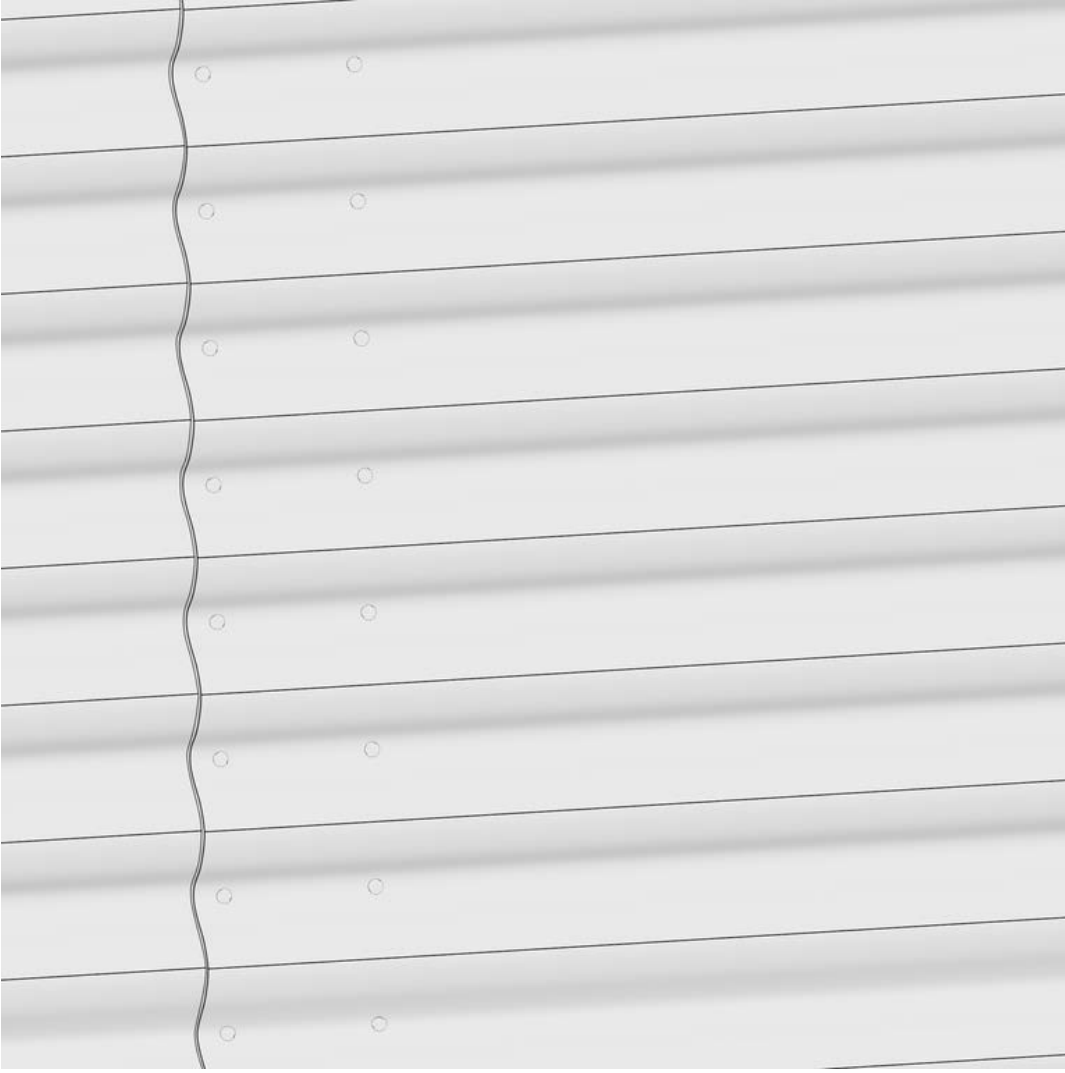
CCWT is the industry leader when it comes to internal bracing systems

The support system is the most integral part of any steel water tank. For the cleanest and most aesthetic exterior, an internal bracing system is required to prevent inward bowing outward bulging. CCWT uses an 8mm thick steel cross bracing system which is the most robust in the industry for peace of mind, and is fastened together with sockets for a stylish finish.



There are restrictions on the mixing of certain dimensions, for the sake of simplicity, only the maximum and minimum dimensions of any possible combination are listed here

Joins/ Rivets



CCWT utilises the heavy grade, industrial Henrob fastening system to rivet together all the sheets of your water tank to form a shell. The rivets are countersunk for a clean and smooth finish, and designed for rigidity and stability, strengthening the tank overall and providing a more solid product.

Our tanks only have a "back" to them as it's where the sheets join together, but thanks to our unique production systems and attention to detail, it's a clean look as well.



Pumps, Filtration and other Add-Ons

Pumps - CCWT are the specialists in utilising pumps for rainwater re-use. We pre-install submersible pumps and switchover valves to ensure our product has the best finish possible, and our bulk buy discounts ensure you get the best price. We can also provide package deals on external pumps that match your required needs.

Filtration - Filter systems are a great way to have a wider range of users from your rain water if you already have mains water, or essential if there is no mains water to your property. CCWT partner with Australian companies that match our values and quality when it comes to filtration so we can supply you with the complete package, and you have one point of contact for information, warranty, and more for peace of mind.

F.A.Q.

Aren't metal tanks prone to rust?

Many people have a perception of metal water tanks as the old and rusting round tanks in rural Australia, but those days are long past us. Aquaplate has revolutionised steel water tanks, and the warranty provided reflects our confidence in our product.

Do I need council approval to install a water tank?

Unfortunately, there is no simple answer to this as it varies. In general, councils are supportive of conservation and eco-friendly efforts. Some councils may even offer rebates on their installation, but it best to contact them for the most up to date information.

What sort of base or pad do steel tanks need?

The best base for your tank is a dedicated concrete pad. It is important to remember that 1,000 litres of water is equal to 1 ton of weight. Your pad must be level to ensure the water does not force its way to a low point and potentially cause leaks. For the best and most up to date information on preparing a pad for any CCWT tank, visit www.ccwt.com.au/pages/water-tank-pads

How do I keep my water tank well maintained?

It is important to keep up to date on the maintenance of your water tank, as this ensures the best possible water quality and the longest lifespan for your tank. The best thing to do is keep your guttering clean, and frequently check and clear your inlet strainer of debris. For the best results, consider getting your water tank cleaned every few years to prevent sludge build up as well.

Do you guys have a supply depot or basic sizes?

There are hundred of thousands of potential combinations of tank sizes and colours we can produce, this is one of our strengths. It does mean that there is little point to us holding stock of sizes, but it allows you to get the tank that's just right for you. Our continual increases in production efficiency are reducing our lead times all the time, giving you your tank faster.

How heavy are the tanks?

Due to the massive variety of sizes that we can produce, it can be difficult to provide an estimate of the weight itself. The smallest tanks are around 30kg, and the largest can be over 400kg. It is also important to factor in the weight of the potential water storage if constructing a water tank pad.

What happens if my tank needs to be serviced?

CCWT water test every tank that we produce for peace of mind, but if there is a need for the tanks to be serviced, we have a service crew who is available to repair your tank and get it back to working order. Please send all service enquiries to onsite@ccwt.com.au

Why CCWT?

Coast & Country Water Tanks is an Australian, family owned business. We are also the manufacturer, and not the distributor, of our products. Our expertise in the manufacture of and knowledge about steel tanks is unrivalled. Buying direct from the manufacturer means no middle-men mark-ups, and our dedication to customer service is unmatched.

Materials



All water tanks made by CCWT are produced using Australian made BlueScope AQUAPLATE® steel. This product makes up the walls and base of your tank.

Aquaplate is a food grade plastic polymer coating that prevents contact between water and the sheet metal. This ensures that your tank doesn't rust out, and your water doesn't get any taste imparted.

Some of the biggest advantages of an Aquaplate steel tank is the easy customisation, fittings can be located where required, sizing is available in 50mm increments, and that iconic traditional look.

Technical Specifications

AQUAPLATE® steel lining can withstand spillages of, but not prolonged immersion, of the following chemicals: Alkalis of all concentrations, Mineral acids of all concentrations, petrol, kerosene, mineral turps, alcohol, aqueous solutions of inorganic compounds. The product should not be permitted to come into contact with: Low molecular weight organic acids (such as acetic, lactic, formic and stearic acids), aromatic hydrocarbons (e.g., toluene), chlorinated hydrocarbons (e.g., 1,1,1-trichloroethane), ketones (e.g., MEK), esters (e.g. cellosolve acetate).

Preferred substrates

Z275 G300S steel (painted or double-sided laminate). Z450 G300S steel (Galseal) (Refer Note 4).

For substrate properties please refer to the relevant Metallic (Z) Coated steel datasheets or AS 1397:2021

Please refer to current price list or BlueScope State Sales Office for availability of colours and dimensions.



Product attributes

Property	Test & Evaluation Method(s)	Results
Flexibility		
T-bend	ASTM D4145-10 (2018)	1T or less
Resistance to abrasion		
Scratch	AS 2331.4.7-2006 (R2017)	Paint Film: Typically 2000g
Resistance to humidity		
Cleveland (500 hours)	ASTM D4585/D4585M-18; AS 1580.408.4-2004 (R2019) (Adhesion)	Laminate: No loss of adhesion, no blistering. Paint Film: Undercut from score ≤2mm. Blister density: ≤3. Blister size: ≤S2. No loss of adhesion or corrosion of base metal.
Resistance to chemicals		
Exposure	None	
Resistance to temperature		
Exposure	None	Maximum continuous services temp of 65°C

Warranty



COAST & COUNTRY WATER TANKS WARRANTS THE AQUAPLATE® RANGE OF STEEL WATER TANKS AS FOLLOWS:

- › 20 year minimum life prior to perforation due to corrosion, as detailed in the Bluescope AQUAPLATE® product warranty. Please apply for your BlueScope AQUAPLATE® warranty at www.bluescopesteel.com.au/warranties.
- › 10 year manufacturer's warranty covering the assembly and sealing of the tank, from date of purchase.

Any failure of the tank due wholly or partly to any of the following causes is not covered by this warranty:

1. Normal surface weathering including paint fading or non-structural surface tamishing.
2. Installation of the tank by any person(s) that are not a Registered & Licensed Plumber in NSW.
3. Faulty installation of the tank, including, but not limited to, the base in a way that does not comply with Coast & Country Water Tank's 'Pad Preparation 2018' document.
4. Mechanical or chemical damage sustained during installation or servicing of the Tank.
5. Storage of any liquid other than normal rainwater.
6. Damage caused by storm and tempest or any other causes beyond the control of Coast & Country Water Tanks.
7. Failure of the AQUAPLATE® due to direct connection of copper pipe work to the Tank. All copper connections are to be insulated from the tank via PVC or similar pipework.
8. Failure of the AQUAPLATE® steel via the placement or connection of any aftermarket fittings including screws and brackets.

WARRANTY CLAIM

All warranty claims must be made in writing accompanied with proof of purchase. Coast & Country Water Tanks will assess claims for warranty, and the result of this assessment will be communicated in writing. Claims for a warrantable fault in a steel water tank will be repaired or rectified by Coast & Country Water Tanks after receiving and authorising the claim.

Purchased by: _____

Purchaser's Address: _____

Date of Purchase: _____

Installed on: _____

Installed By: _____

Company Purchased from: _____

Please retain this warranty card along with original proof of purchase.

Coast & Country Water Tanks will not be liable for any injury to persons, damage to property or for any consequential loss or damage due to failure of any Tank. Coast & Country Water Tanks will not be liable for any expenses that may arise due to the claiming of this warranty.