



Job: \_\_\_\_\_

Item No. \_\_\_\_\_

## Designed To Meet the Needs of Restaurants, Caterers, Hotels, Clubs, Ice Cream Shops and Water Ice Companies

The **SaniServ** model B5 Batch Freezer produces a single yield of high profit, consistent quality product every time! Easy to operate, clean and sanitize. Rapid disassembly and assembly makes the Batch Freezer a favorite among owners and operators. The short production time provides a simple and easy way to provide a batch of single flavor of high quality product every time! With the versatility to add mix-in's after production the flavor choices are endless!

### COUNTERTOP MODEL

**Meets Your Requirements - SaniServ** model B5 turns valuable space into a real profit center by producing a batch of high profit frozen product every time.

### EASY CLEANING AND OPERATION

**Fewer Parts = Simplified Cleaning – SaniServ** equipment is designed and built with the fewest parts to be disassembled, cleaned and sanitized than any other machine in the industry.

### HIGH RETURN ON INVESTMENT

**Increased Profits – SaniServ** machines combine efficiency with consistent product quality and fast, quiet operation while insuring customer satisfaction with high profit ice cream or yogurt products.

### QUALITY DESIGN

**Durability – SaniServ** machines are built to achieve long and dependable life through simplicity of design. Every machine is shipped standard with a stainless steel exterior, durable steel interior frame construction, heavy-duty components and consistency systems.

# Model B5

Counter Model  
**Batch Ice Cream / Gelato  
Freezer**

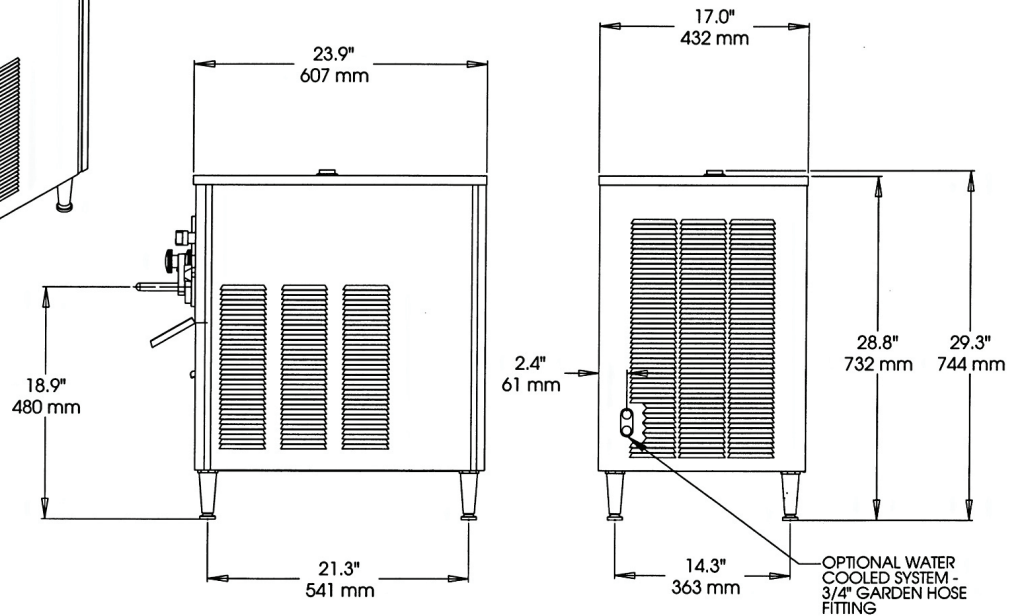
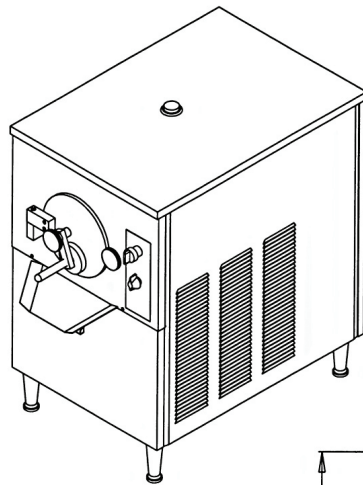


Made in USA

We reserve the right to change specifications and product designs without notice. Such revisions do not entitle the buyer to corresponding changes, improvements, additions or replacements for previously purchased equipment.

# MODEL B5

## Batch Freezer Series



Minimum Wall Clearance  
Both Sides and Back -  
6 inches (152 mm)

ELECTRICAL				WIDTH	HEIGHT	DEPTH	WEIGHT	VOLUME
VOLTS	Hz	Ph.	Amps	INCHES (MM)	INCHES (MM)	INCHES (MM)	LBS. (Kg)	CU FT. (cu. m.)
208-230	60	1	20	17 (432)	29.3 (744)	23.9 (607)	220 (100)	
208-230	60	3	15					
Shipping Specifications				22.5 (571)	41 (1042)	34.5(876)	280 (127)	18.5 (.53)

### Specifications:

**Cooling System:**  
Air or Water

**Dasher and Compressor Motor:**  
1 HP Dasher  
1 HP Compressor

**Refrigerant Type:**  
R404A

**Listings:**  
UL, cUL, NSF

### Features:

**Batch Capacity:**  
5 qts. (4.7 liters)

**Dasher:**  
Heavy-Duty Stainless Steel with low friction scraper blades.

**Controls:**  
Automatic shut-off timer.

### Warranty:

Parts 1 year  
Compressor 5 years  
Evaporator 5 years

### Options:

Tune Up Kit  
Syrup Rail  
Counter Model Machine Stand  
Water Cooled - 3/4" (19.05 mm)  
Garden Hose Fitting  
Export Voltages