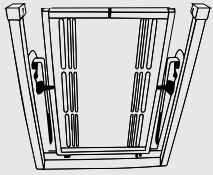


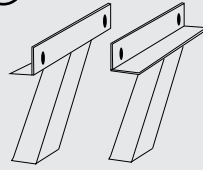
READY TO GO

(A)



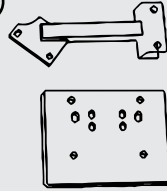
Base x 1

(B)



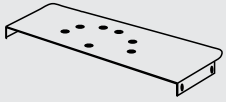
Connectors x 2

(C)



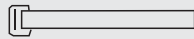
Shifter Plate x 1

(D)



Cockpit Panel x 1

(E)



Cable Straps x 5

(F)



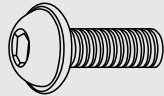
Universal Hex Tool x 3

(G)



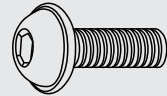
Hand Knob Bolt x 4

(H)



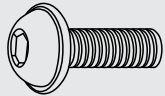
M6 12mm Bolts x 4

(I)



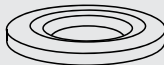
M8 12mm Bolts x 4

(J)



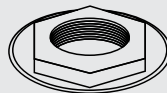
M8 40mm Bolts x 2

(K)



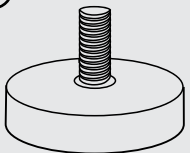
Flat Washers
8mm by 20mm x 8
8mm by 30mm x 4

(L)



Bolt Nuts
M6 x 8
M8 x 6

(M)



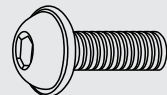
Balance Plates x 4

(N)



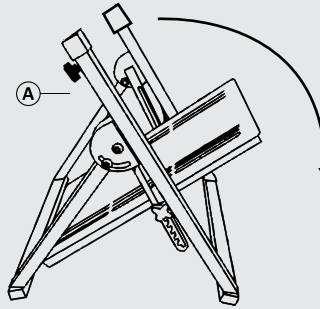
Universal Spanner x 2

(O)



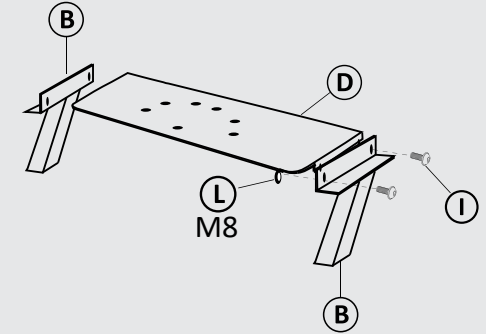
M6 16mm Bolts x 14
M6 20mm Bolts x 4

Step 1

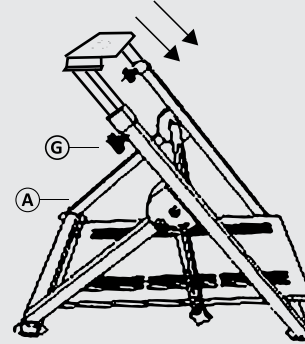


Loosen the Hand Knob Bolts on Part A. Expand the Rig by depressing the panel panel.

Step 2



Step 3



Slide the assembled Step 2 components into Part A. Tighten with the Hand Knob Bolts.

Install the Shifter Plate on either side of Part A now.

Step 4



COMPLETED

USER GUIDE

1. Please take extra care when assembling the product;
2. Please be careful when adjusting the position of the cockpit panel;
3. This Sim Rig is built only for gaming purpose;
4. Please do not sit on the Sim Rig;
5. This Sim Rig is designed for only one person's use at a time;
6. Please refrain from violent movement when using the Sim Rig;
7. Please be cautious about extended metal parts of the Sim Rig;
8. Clean with gentle cleansers if necessary. Do not scrub excessively;
9. All parts should be checked regularly to ensure the Sim Rig is safe to be used;
10. Stop using the product immediately if the Sim Rig is found to be damaged. Please check the maintenance guide on our website or contact us via email sales@zenoxstore.com for more information.

用戶須知

1. 安裝賽車架時必須加倍小心；
2. 當調節軟盤安裝板時敬請小心；
3. 此產品只能用作賽車遊戲之用；
4. 切勿坐在或跪在此賽車架上；
5. 此賽車架只供一人同時使用；
6. 使用賽車架時，切勿使用過份暴力；
7. 調節活動部件時，請加倍小心；
8. 清潔賽車架時，請勿使用具腐蝕性的清潔劑及大力磨擦，以免損傷面料；
9. 請定期檢查賽車架螺絲等零件是否鬆脫，確保使用安全；
10. 如發現產品零件有異常或損壞時，請立即停止使用，並聯絡本公司。如有任何查詢，請瀏覽網頁上的保養資訊或電郵sales@zenoxstore.com。

Need help with assembling ? Check out the video guides on our website!
需要技術支援？即上Zenox官方網頁觀看安裝示範短片！
<https://www.zenoxstore.com/pages/assembly-guides>

官方網站：<https://www.zenoxstore.com>
查詢熱線：(+852) 65634820
查詢電郵：sales@zenoxstore.com



ZENOX

got your back on every mission



Plica-X Simulator Rig

INSTALLATION MANUAL