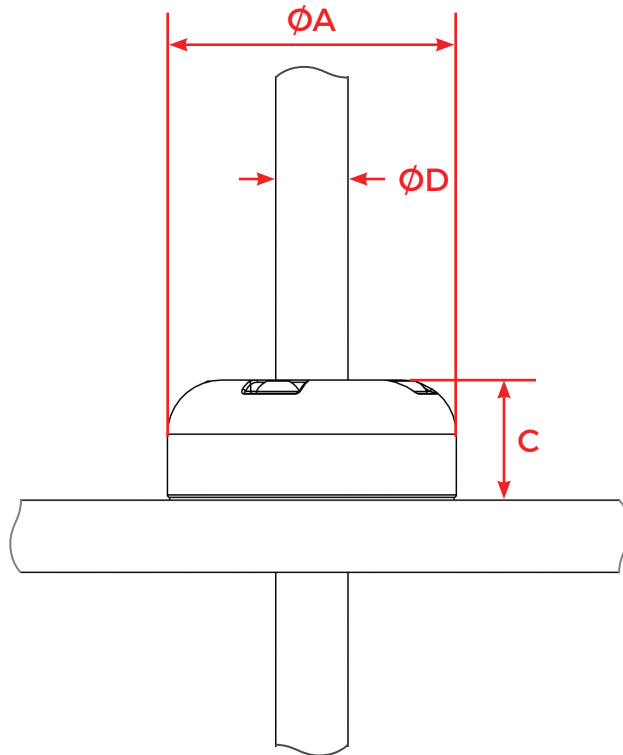
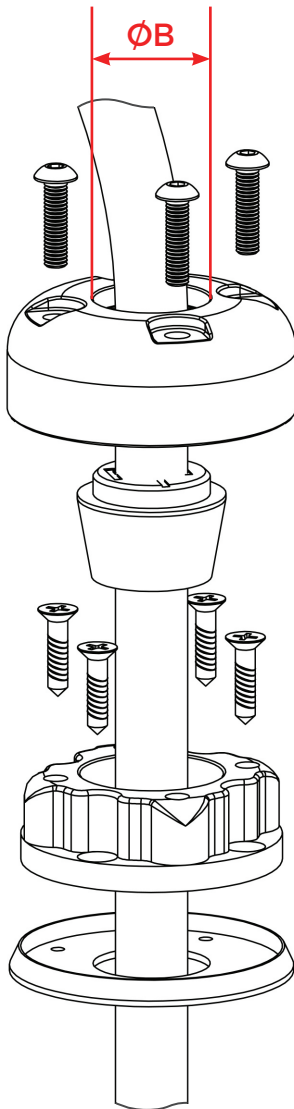




QUALITY MARINE
EQUIPMENT SINCE 1981



CABLE GLAND DIMENSIONS



Part #	A inches / mm	B inches / mm	C inches / mm	D* inches / mm
CG20P-G	2 / 51	0.81 / 20	0.813 / 20.7	0.39 / 10
CG20A-B	2 / 51	0.81 / 20	0.813 / 20.7	0.39 / 10
CG20-SS	2 / 51	0.81 / 20	0.813 / 20.7	0.39 / 10
CG30P-G	2.53 / 64.3	1.25 / 31	0.813 / 20.7	0.59 / 15
CG30A-B	2.53 / 64.3	1.25 / 31	0.813 / 20.7	0.59 / 15
CG30-SS	2.53 / 64.3	1.25 / 31	0.813 / 20.7	0.59 / 15

* Max cable diameter.

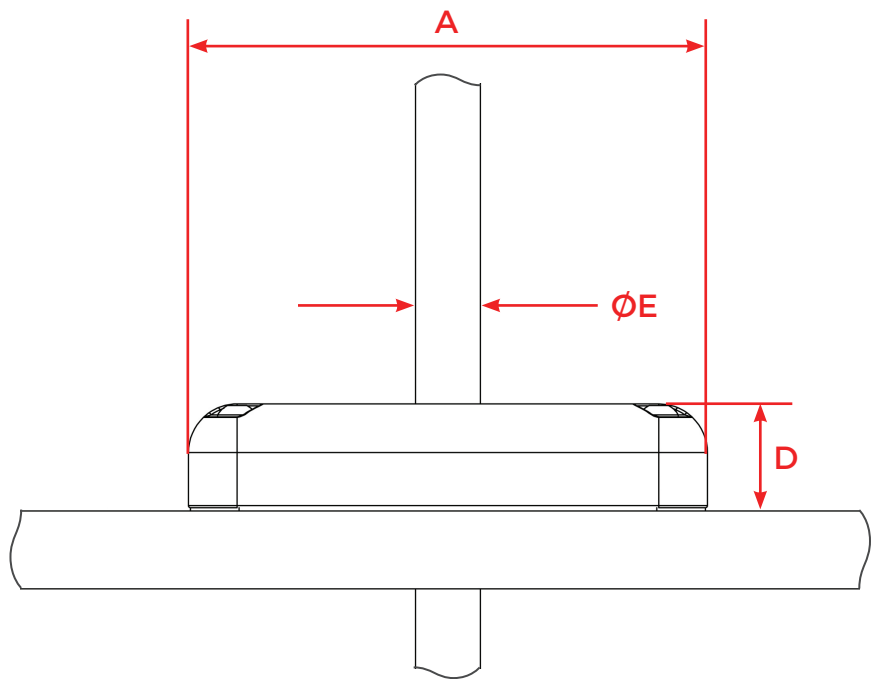
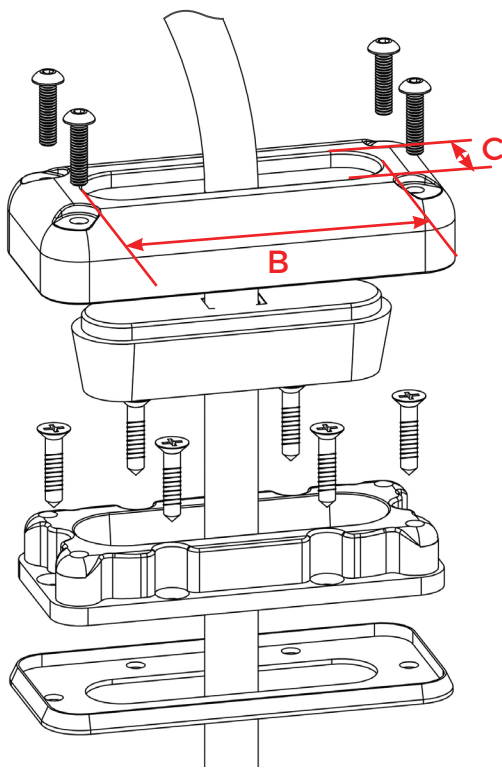
PYI Inc.
12532 Beverly Park Road
Lynnwood, WA 98087
425-355-3669
info@pyiinc.com
www.pyiinc.com



QUALITY MARINE
EQUIPMENT SINCE 1981



CABLE GLAND DIMENSIONS



Part #	A inches / mm	B inches / mm	C inches / mm	D inches / mm	E* inches / mm
CGM17P-G	4 / 102	2.875 / 73	0.67 / 17	0.8 / 20.32	0.67 / 17
CGM17A-B	4 / 102	2.875 / 73	0.67 / 17	0.8 / 20.32	0.67 / 17
CGM17-SS	4 / 102	2.875 / 73	0.67 / 17	0.8 / 20.32	0.67 / 17

* Max cable diameter.