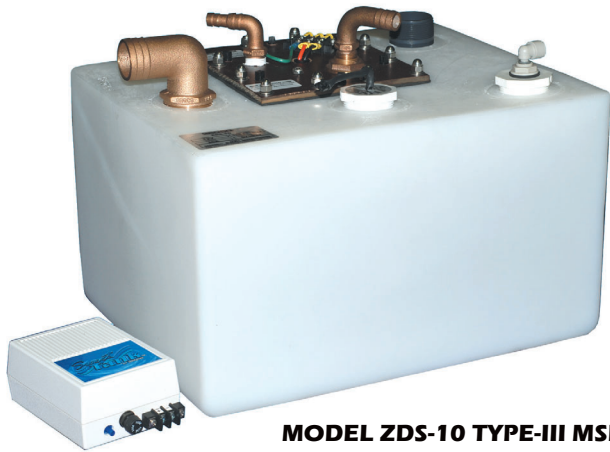


WASTE HOLDING SYSTEM: TYPE-III MSD

MODEL ZDS SERIES WITH SWEETTANK®



MODEL ZDS-10 TYPE-III MSD

IMPORTANT NOTE: It is illegal to discharge untreated waste directly overboard in most places. Consult local regulations before doing so. Discharge restrictions change with geographic location.

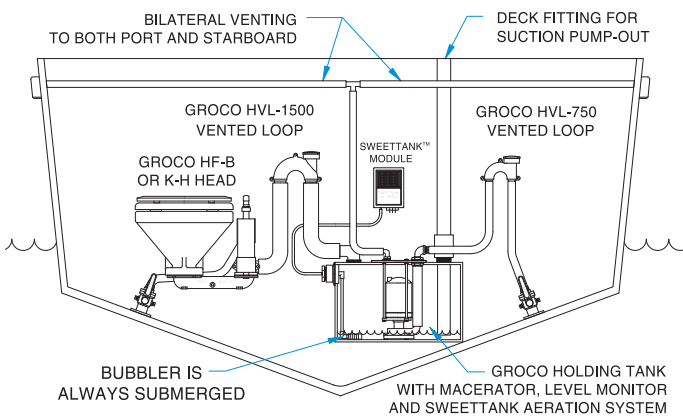
THE CONCEPT

A Type-III MSD may be used aboard any vessel regardless of size or geographic location. The system receives waste from one or more toilets and retains it for disposal at a dockside or marina pump-out facility, or the contents may be pumped directly overboard where legal to do so.

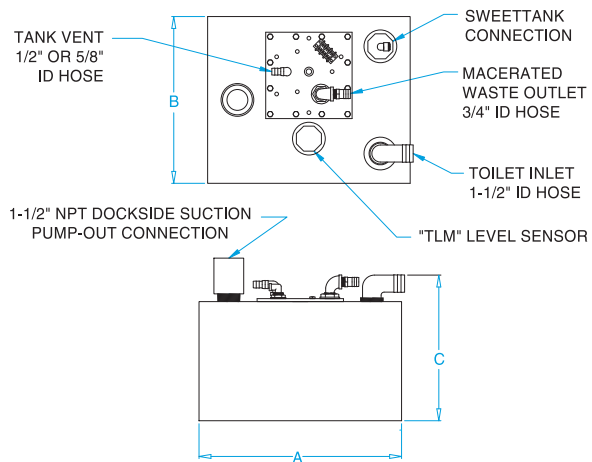
Available in many sizes and shapes, but stocked in four standard sizes, GROCO® Type-III MSD systems come complete with a TLM series level monitor and a powerful (17 GPM) macerator/discharge pump located inside the tank.

ZDS Models include SWEETTANK® which keeps the holding tank odor-free at all times, without the use of chemicals or filters. SWEETTANK® can be added to older ZDS models.

All tanks include an oversized vent to aid with high-capacity dockside pumpout.



SAMPLE INSTALLATION



DIMENSIONS

MODELS	BREAKER	A inch	B inch	C inch	TOILET-IN	PLUMBING PUMP-OUT	VENT
ZDS-10 12V	15	17.0	14.0	13.7	1-1/2" ID hose	3/4" ID hose	1/2" or 5/8" ID hose
ZDS-10 24V	10	17.0	14.0	13.7	1-1/2" ID hose	3/4" ID hose	1/2" or 5/8" ID hose
ZDS-15 12V	15	24.0	14.0	13.7	1-1/2" ID hose	3/4" ID hose	1/2" or 5/8" ID hose
ZDS-15 24V	10	24.0	14.0	13.7	1-1/2" ID hose	3/4" ID hose	1/2" or 5/8" ID hose
ZDS-20 12V	15	28.3	14.5	15.0	1-1/2" ID hose	3/4" ID hose	1/2" or 5/8" ID hose
ZDS-20 24V	10	28.3	14.5	15.0	1-1/2" ID hose	3/4" ID hose	1/2" or 5/8" ID hose
ZDS-30 12V	15	28.0	23.0	15.0	1-1/2" ID hose	3/4" ID hose	1/2" or 5/8" ID hose
ZDS-30 24V	10	28.0	23.0	15.0	1-1/2" ID hose	3/4" ID hose	1/2" or 5/8" ID hose

WASTE MACERATOR PUMPS

THE CONCEPT

155 Series waste macerator pumps make fast work (17 GPM) of holding tank pump-out. Sizes are available to fit any rigid holding tank (36" maximum depth, 1" inch increments), and since waste is macerated BEFORE it leaves the tank, smaller hose and overboard seacock (3/4") may be used in the discharge line.

NOTE: New pump installations require GROCO® #MP Hardware (tank hardware kit), ordered separately.

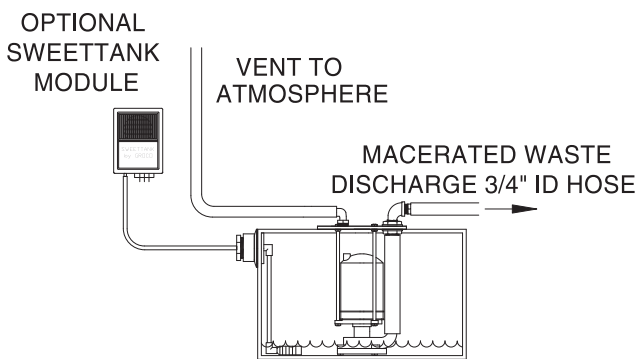
HOW TO ORDER

- Determine tank depth in inches, as measured from the top outside to the bottom inside.
- Order 155-61XX-YY
(XX = tank depth)
(YY = voltage)

SERVICE NOTE: 155 Series will fit the same mounting used for discontinued MPT or MPS series macerator pumps.

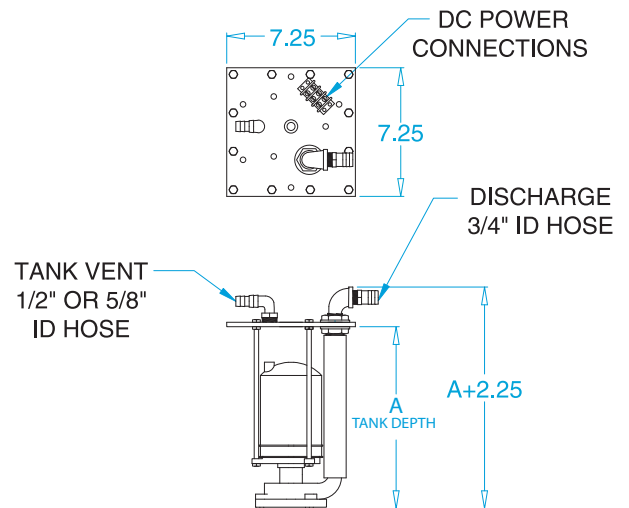


MODEL 155 MACERATOR PUMP



155 SERIES PUMP IS INSTALLED INTO THE TOP OF EXISTING HOLDING TANKS

SAMPLE INSTALLATION



NOTE: FITTINGS ON PUMP FLANGE HAVE BEEN RELOCATED FOR CLARITY

DIMENSIONS