

ARADA

DEVON



TIMELESS CLASSICS

Putting warmth at the heart of the home

Ecoburn 5 (Series 3)



Ecoburn 5 Series 3

The all-new series three Ecoburn 5 multi-fuel stove features the latest in Arada heating technology that combines a traditional stove appearance whilst meeting Ecodesign standards for clean burning on either wood or solid fuel.

Features

- Meets Ecodesign standards for clean burning on both Wood and Solid Fuel
- Lifetime guarantee
- Non-smoker paint, available in seven colours
- Approved for use in Smoke Control Areas
- Stainless steel ash pan and throat plate
- Top or rear 127mm (5") flue outlet
- Direct air compatible
- Preheated airwash system for clean glass
- Externally controlled riddling grate
- Height adjusting legs as standard
- Optional rear heat shield for closer positioning to combustibles

Dimensions

Width	453 mm
Height	617 mm
Depth	404 mm
Ideal log length	300 mm



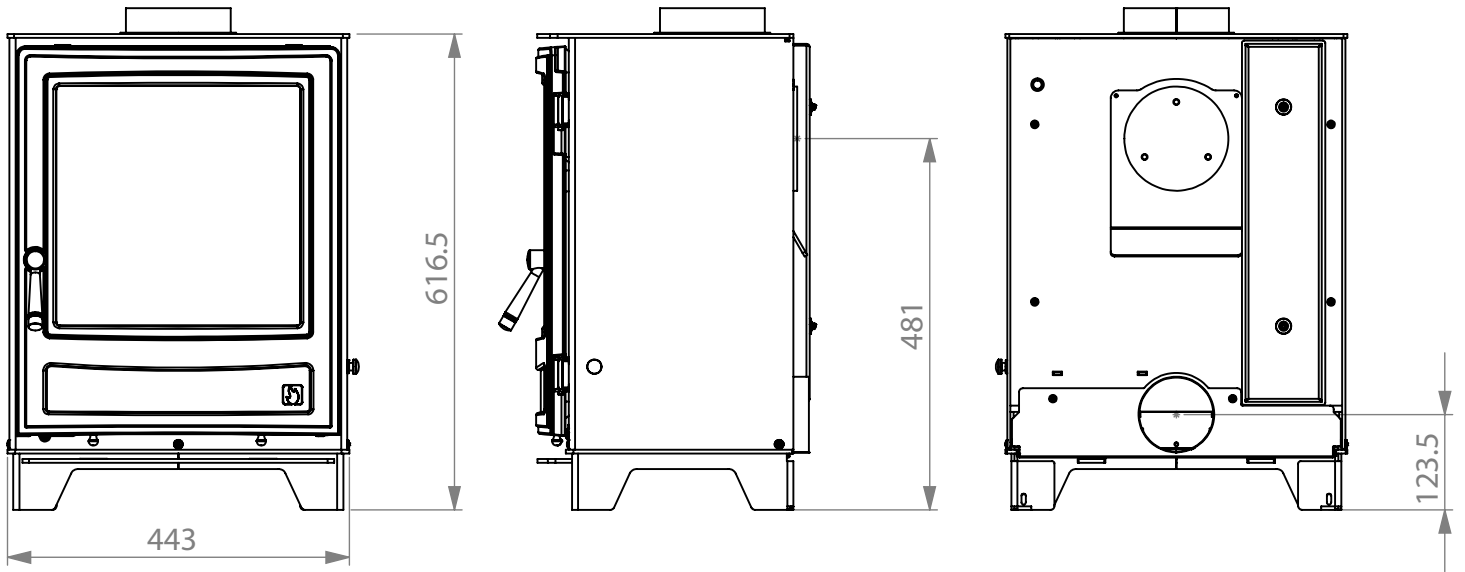
Ecoburn 5



Discreet but easy to use air controls

Optional Extras: Safety Handle / Rear heat shield / Direct air kit / Floor fixing kit

Ecoburn 5 (Series 3)



Dimensions

Width (inc. riddle control)	453 mm
Height	617 mm
Depth	404 mm
Flue Diameter	127 mm
Depth from back to centre of top flue	134 mm
Height to centre of rear flue	481 mm
Ideal log length / diameter	300mm / 100mm

Features

Stove body type	Freestanding
Ecodesign Ready	Yes
Suitable for smoke control areas	Yes
Suitable for direct air connection	Yes
Suitable for non-combustible 12mm hearth	Yes
Weight gross (packed kg)	81.5 Kg
Weight nett (unpacked kg)	76.5 Kg

Performance

	Wood Fuel	Solid Fuel
Energy Efficiency Class	A	D
Nett Efficiency	79.8 %	82.3 %
Nominal Output	4.9 kW	4.9 kW
Output Range	4.2 - 5.5 kW	
Mean Co Emission (@13% O ₂)	0.11 %	0.1 %
DIN+ particulate	27 Nmg/m ³	10 Nmg/m ³
Mean NO _x Emission (@13% O ₂)	95 Nmg/m ³	94 Nmg/m ³
Mean OGC Emission (@13% O ₂)	86 Nmg/m ³	26 Nmg/m ³
Flue Gas Mass Flow	4.7 g/s	3.5 g/s
Flue Gas Temperature	255 °C	254 °C
Typical Fuel load for nominal rated output per hour (kWh/Kg)	1.17 (Seasoned hardwood)	0.69 (MSF Maxibrite)

Minimum distance to combustibles

	A	B	C
Rear	700 mm	350 mm	75 mm
Side	550 mm	525 mm	500 mm
Max hearth temp.	53.9 °C	51 °C	50.9 °C

A = Single Walled Flue, without Rear Heat Shield fitted
 B = Single Walled Flue, with Rear Heat Shield fitted
 C = Twin Walled Flue, with Rear Heat Shield fitted

Direct air spigot location

(when viewing the rear side of the stove)

Horizontal position	Centre
Distance from floor to centre	123.5 mm

We recommend this appliance is installed with clearance of 100mm to non-combustible materials
 Installation and operating instructions for this stove are available online at www.aradastoves.com.

Ecoburn 5 Widescreen (Series 3)



Ecoburn 5 Widescreen Series 3 in Atlantic blue

The all-new series three Ecoburn 5 multi-fuel stove features the latest in Arada heating technology that combines a traditional stove appearance whilst meeting Ecodesign standards for clean burning on either wood or solid fuel.

Features

- Meets Ecodesign standards for clean burning on both Wood and Solid Fuel
- Lifetime guarantee
- Non-smoker paint, available in seven colours
- Approved for use in Smoke Control Areas
- Stainless steel ash pan and throat plate
- Top or rear 127mm (5") flue outlet
- Direct air compatible
- Preheated airwash system for clean glass
- Externally controlled riddling grate
- Height adjusting legs as standard
- Optional rear heat shield for closer positioning to combustibles

Dimensions

Width	518 mm
Height	631 mm
Depth	404 mm
Ideal log length	375 mm



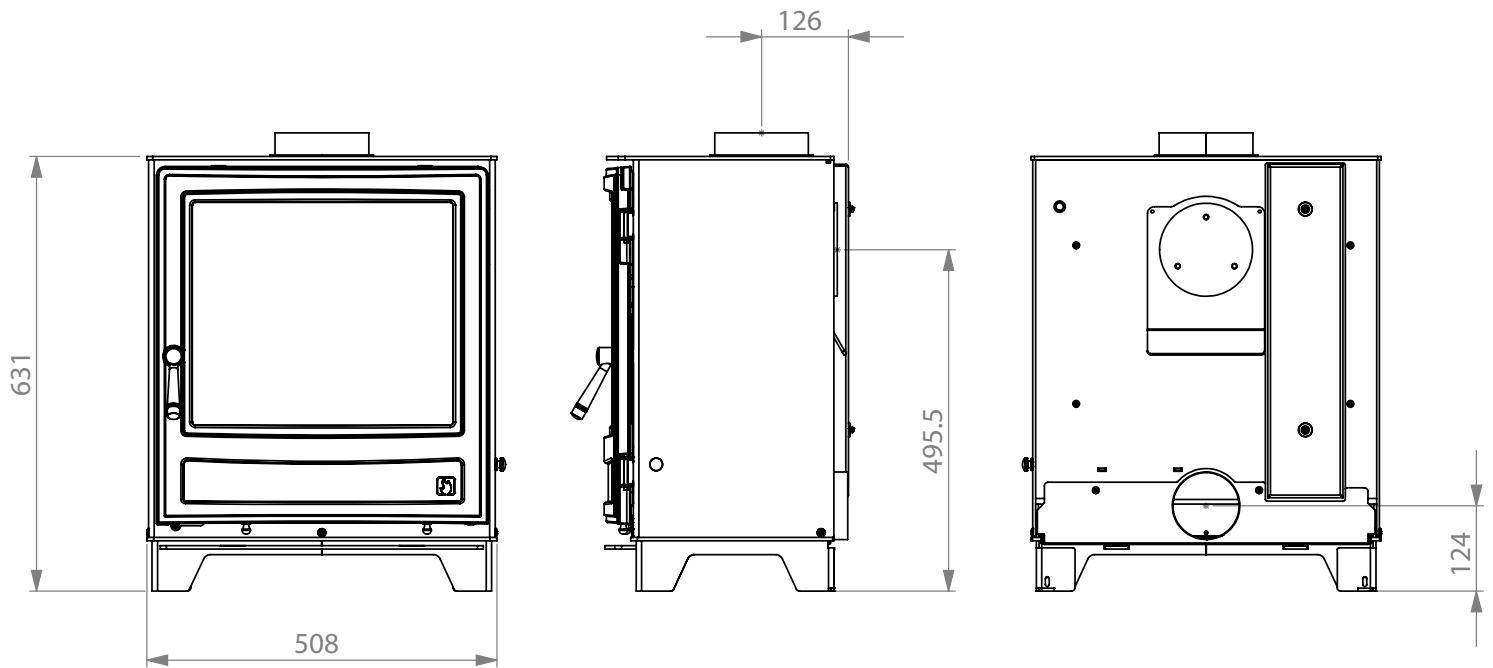
Ecoburn 5 Widescreen



Available in multiple colours, all easy to keep clean

Optional Extras: Safety Handle / Rear heat shield / Direct air kit / Floor fixing kit

Ecoburn 5 Widescreen (Series 3)



Dimensions

Width (inc riddle control)	518 mm
Height	631 mm
Depth	404 mm
Flue Diameter	127 mm
Depth from back to centre of top flue	134 mm
Height to centre of rear flue	496 mm
Ideal log length / diameter	375mm / 100mm

Features

Stove body type	Freestanding
Ecodesign Ready	Yes
Suitable for smoke control areas	Yes
Suitable for direct air connection	Yes
Suitable for non-combustible 12mm hearth	Yes
Weight gross (packed kg)	93 Kg
Weight nett (unpacked kg)	88 Kg

Performance

	Wood Fuel	Solid Fuel
Energy Efficiency Class	A+	E
Nett Efficiency	81.3 %	79.3 %
Nominal Output	4.9 kW	4.9 kW
Output Range	3.9 - 5.9 kW	
Mean Co Emission (@13% O ₂)	0.10 %	0.09 %
DIN+ particulate	22 Nmg/m ³	9 Nmg/m ³
Mean NO _x Emission (@13% O ₂)	82 Nmg/m ³	102 Nmg/m ³
Mean OGC Emission (@13% O ₂)	68 Nmg/m ³	19 Nmg/m ³
Flue Gas Mass Flow	4.1 g/s	4.2 g/s
Flue Gas Temperature	257 °C	281 °C
Typical Fuel load for nominal rated output per hour (kWh/Kg)	1.15 (Seasoned hardwood)	0.73 (MSF Maxibrite)

Minimum distance to combustibles

	A	B	C
Rear	650 mm	300 mm	50 mm
Side	450 mm	450 mm	250 mm
Max hearth temp.	87 °C	43.4 °C	51.1 °C

A = Single Walled Flue, without Rear Heat Shield fitted
 B = Single Walled Flue, with Rear Heat Shield fitted
 C = Twin Walled Flue, with Rear Heat Shield fitted

Direct air spigot location

(when viewing the rear side of the stove)

Horizontal position	Centre
Distance from floor to centre	124 mm

We recommend this appliance is installed with clearance of 100mm to non-combustible materials
 Installation and operating instructions for this stove are available online at www.aradastoves.com.

Ecoburn 7 (Series 3)



Ecoburn 7 Series 3

The all-new series three Ecoburn 5 multi-fuel stove features the latest in Arada heating technology that combines a traditional stove appearance whilst meeting Ecodesign standards for clean burning on either wood or solid fuel.

Features

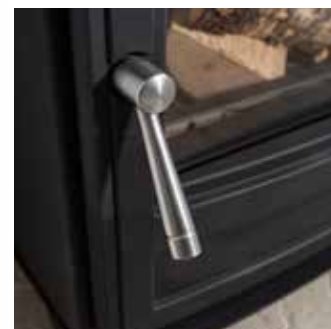
- Meets Ecodesign standards for clean burning on both Wood and Solid Fuel
- Lifetime guarantee
- Non-smoker paint, available in seven colours
- Approved for use in Smoke Control Areas
- Stainless steel ash pan and throat plate
- Top or rear 127mm (5") flue outlet
- Direct air compatible
- Preheated airwash system for clean glass
- Externally controlled riddling grate
- Height adjusting legs as standard
- Optional rear heat shield for closer positioning to combustibles

Dimensions

Width	518 mm
Height	631 mm
Depth	404 mm
Ideal log length	375 mm



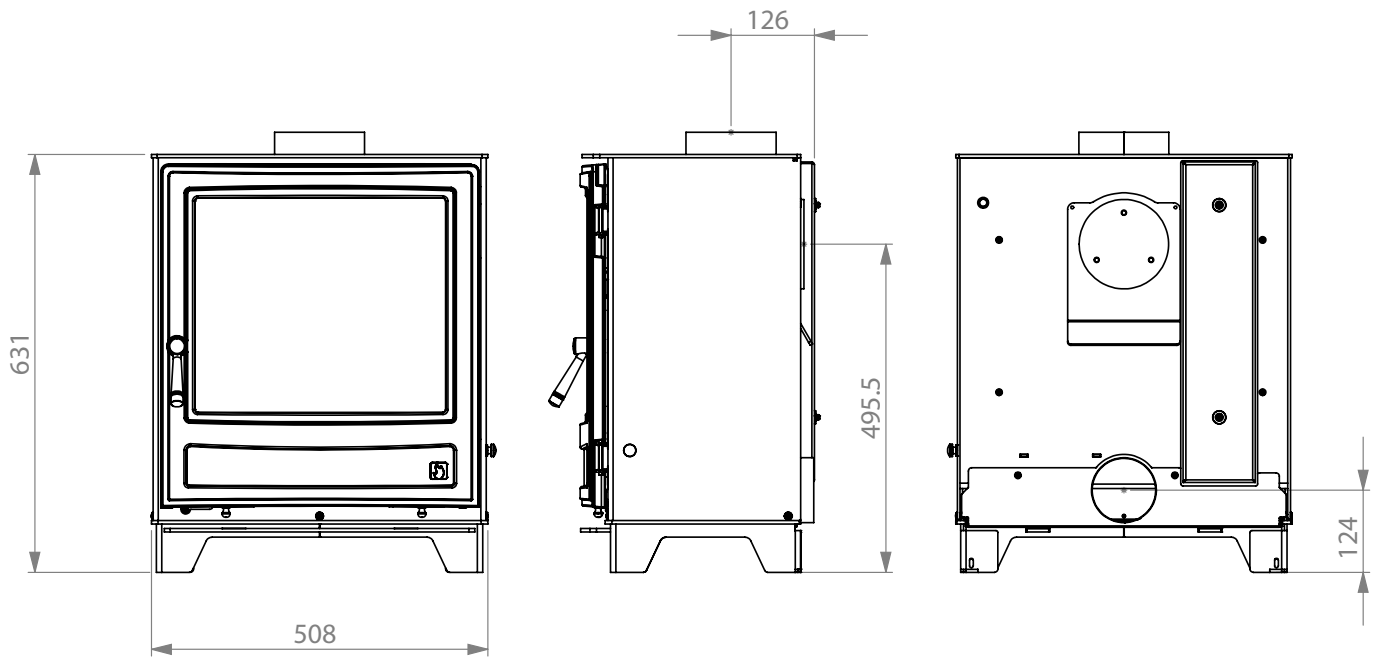
Ecoburn 7



Stylish and robust fire door

Optional Extras: Safety Handle / Rear heat shield / Direct air kit / Floor fixing kit

Ecoburn 7 (Series 3)



Dimensions

Width (inc. riddle control)	518 mm
Height	631 mm
Depth	404 mm
Flue Diameter	127 mm
Depth from back to centre of top flue	134 mm
Height to centre of rear flue	496 mm
Ideal log length / diameter	375mm / 100mm

Features

Stove body type	Freestanding
Ecodesign Ready	Yes
Suitable for smoke control areas	Yes
Suitable for direct air connection	Yes
Suitable for non-combustible 12mm hearth	Yes
Weight gross (packed kg)	92 Kg
Weight nett (unpacked kg)	87 Kg

Performance

	Wood Fuel	Solid Fuel
Energy Efficiency Class	A	D
Nett Efficiency	79.8 %	81.2 %
Nominal Output	7.0 kW	7.1 kW
Output Range	5.1 - 7.7 kW	
Mean Co Emission (@13% O ₂)	0.09 %	0.11 %
DIN+ particulate	38 Nmg/m ³	10 Nmg/m ³
Mean NO _x Emission (@13% O ₂)	102 Nmg/m ³	116 Nmg/m ³
Mean OGC Emission (@13% O ₂)	72 Nmg/m ³	39 Nmg/m ³
Flue Gas Mass Flow	5.6 g/s	5.6 g/s
Flue Gas Temperature	310 °C	271 °C
Typical Fuel load for nominal rated output per hour (kWh/Kg)	1.55 (Seasoned hardwood)	1.01 (MSF Maxibrite)

Minimum distance to combustibles

	A	B	C
Rear	650 mm	350 mm	100 mm
Side	600 mm	600 mm	500 mm
Max hearth temp.	95 °C	91.9 °C	71.1 °C

A = Single Walled Flue, without Rear Heat Shield fitted
 B = Single Walled Flue, with Rear Heat Shield fitted
 C = Twin Walled Flue, with Rear Heat Shield fitted

Direct air spigot location

(when viewing the rear side of the stove)

Horizontal position	Centre
Distance from floor to centre	124 mm

We recommend this appliance is installed with clearance of 100mm to non-combustible materials
 Installation and operating instructions for this stove are available online at www.aradastoves.com.

Farringdon Small Eco



Farringdon Small Eco shown in Spice red with optional colour-matched log store

The Farringdon range epitomises the finest of British design with innovative technology, exceptional heat control and a generously-proportioned viewing glass.

Farringdon stoves are Ecodesign Ready so they are cleaner burning and have fantastic fuel efficiency.

This is a stylish option for heating any energy-conscious home.

Dimensions

Width	495 mm
Height	638 mm
Depth	362 mm
Ideal log length	360 mm

Features

- Lifetime guarantee
- Better than Ecodesign standards when burning wood or solid fuel
- Available in seven colours
- Approved for use in Smoke Control Areas
- Stainless steel ash pan and throat plate
- Top or rear flue fitting
- Direct air compatible
- Preheated airwash system for clean glass
- Externally controlled riddling grate - from either side
- Rear heat shield for closer positioning to combustibles
- Height adjusting legs as standard
- Choice of standard detachable handle or optional detachable wooden handle



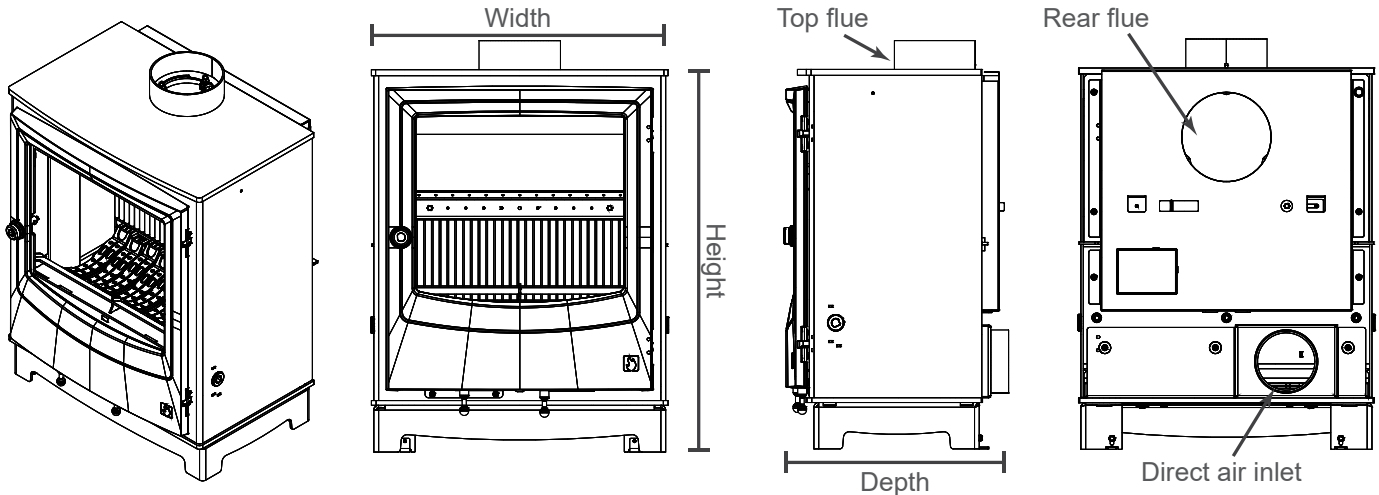
Farringdon Small Eco



Optional wooden handle

Optional Extras: Wooden safety handle / Stand / Log store / Pedestal / Floor fixing kit

Farrington Small Eco



Dimensions

Width (across canopy)	495 mm
Height (on standard fitted feet)	638 mm
Depth (including handle boss)	362 mm
Height of stand	130 mm
Height of pedestal	253 mm
Height of log store	310 mm
Total height on stand	768 mm
Total height on pedestal	891 mm
Total height on log store	948 mm
Flue diameter	127 mm
Depth from back to centre of top flue	108.5 mm
Height to centre of rear flue	522.5 mm
Ideal log length	360 mm

Performance

	Wood Fuel	Solid Fuel
Energy Efficiency Class	A	D
Nett Efficiency	77.8 %	82.4 %
Nominal Output	5 kW	4.9 kW
Output Range	4 - 6.2 kW	
Mean Co Emission (@13% O2)	0.11 %	0.06 %
Mean CO2 Emission	9.5 %	11.6 %
DIN+ particulate	13 Nmg/m3	5 Nmg/m3
Mean NOx Emission (@13% O2)	79 Nmg/m3	79 Nmg/m3
Mean OGC Emission (@13% O2)	92 Nmg/m3	5 Nmg/m3
Flue Gas Mass Flow	5.1 g/s	3.5 g/s
Flue Gas Temperature	261 °C	272 °C
Typical fuel load to achieve rated nominal heat output/hr	1.11 kWh/kg (seasoned hardwood)	0.71 kWh/kg (MSF Maximabrite)

Features

Stove body type	Freestanding
Ecodesign Ready	Yes
Suitable for smoke control areas	Yes
Suitable for direct air connection	Yes
Suitable for non-combustible 12mm hearth	Yes
Weight gross (packed kg)	107 Kg
Weight nett (unpacked kg)	102 Kg

Minimum distance to combustibles

Single Walled Flue, without Rear Heat Shield fitted

Rear	300 mm
Side	500 mm
Max hearth temp	43 °C

Twin Walled Flue with Rear Heat Shield fitted

Rear	250 mm
Side	400 mm
Max hearth temp	43 °C

Direct air spigot location

(when viewing the rear side of the stove)

Distance from right hand side to centre	143 mm
Distance from floor to centre	155 mm

We recommend this appliance is installed with clearance of 100mm to non-combustible materials
Installation and operating instructions for this stove are available online at www.aradastoves.com.

Farringdon Medium Eco



Farringdon Small Eco shown in Mist grey

The Farringdon range epitomises the finest of British design with innovative technology, exceptional heat control and a generously-proportioned viewing glass.

Farringdon stoves are Ecodesign Ready so they are cleaner burning and have fantastic fuel efficiency. This is a stylish option for heating any energy-conscious home.

Dimensions

Width	533 mm
Height	666 mm
Depth	362 mm
Ideal log length	430 mm



Farringdon Medium Eco



Optional wooden handle

Features

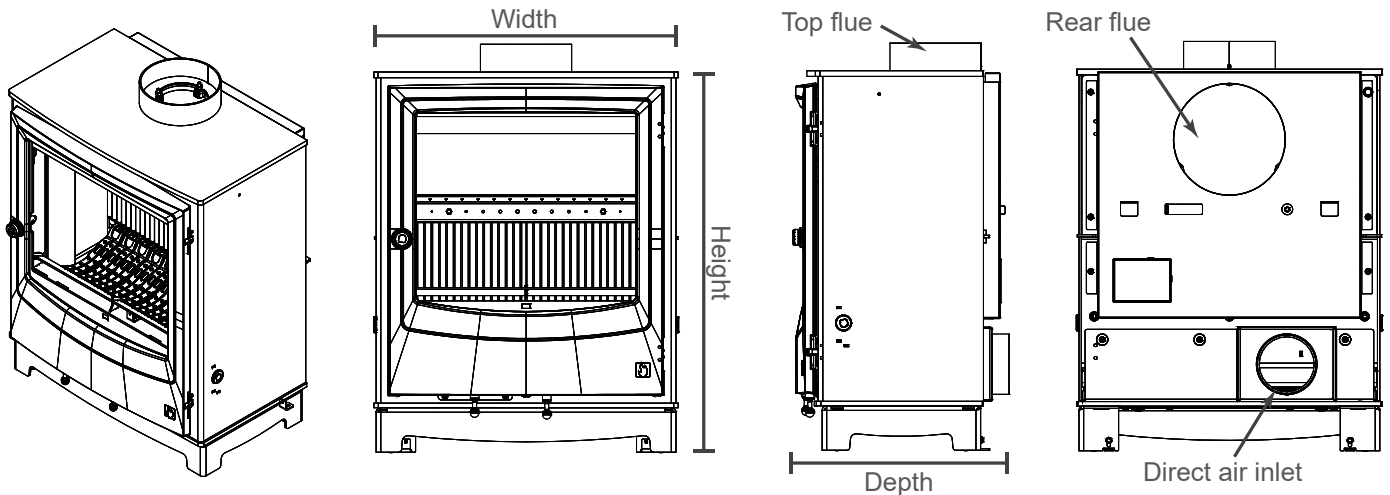
- Lifetime guarantee
- Better than Ecodesign standards when burning wood or solid fuel
- Available in seven colours
- Approved for use in Smoke Control Areas
- Stainless steel ash pan and throat plate
- Top or rear flue fitting*
- Direct air compatible
- Preheated airwash system for clean glass
- Externally controlled riddling grate - from either side
- Rear heat shield for closer positioning to combustibles
- Height adjusting legs as standard
- Choice of standard detachable handle or optional detachable wooden handle

*6 inch spigot supplied as standard.

5 inch spigot available free of charge on request

Optional Extras: Wooden safety handle / Stand / Log store / Pedestal / Floor fixing kit

Farrington Medium Eco



Dimensions

Width (across canopy)	533 mm
Height (on standard fitted feet)	666 mm
Depth (including handle boss)	362 mm
Height of stand	130 mm
Height of pedestal	273 mm
Height of log store	330 mm
Total height on stand	796 mm
Total height on pedestal	939 mm
Total height on log store	996 mm
Flue diameter	152 mm
Depth from back to centre of top flue	113.5 mm
Height to centre of rear flue	547.5 mm
Ideal log length	430 mm

Performance	Wood Fuel	Solid Fuel
Energy Efficiency Class	A	E
Nett Efficiency	76.1 %	79.8 %
Nominal Output	8.2 Kw	8.1 kW
Output Range	4.9 - 8.7 kW	
Mean Co Emission (@13% O2)	0.06 %	0.03 %
Mean CO2 Emission	9.9 %	12.2 %
DIN+ particulate	27 Nmg/m3	7 Nmg/m3
Mean NOx Emission (@13% O2)	97 Nmg/m3	128 Nmg/m3
Mean OGC Emission (@13% O2)	40 Nmg/m3	3 Nmg/m3
Flue Gas Mass Flow	8 g/s	5.5 g/s
Flue Gas Temperature	293 °C	340 °C
Typical fuel load to achieve rated nominal heat output/hr	1.82 kWh/kg (seasoned hardwood)	1.16 kWh/kg (MSF Maxibrite)

Features

Stove body type	Freestanding
Ecodesign Ready	Yes
Suitable for smoke control areas	Yes
Suitable for direct air connection	Yes
Suitable for non-combustible 12mm hearth	Yes
Weight gross (packed kg)	117 Kg
Weight nett (unpacked kg)	112 Kg

Minimum distance to combustibles

Single Walled Flue, without Rear Heat Shield fitted

Rear	500 mm
Side	550 mm
Max hearth temp	47 °C

Twin Walled Flue with Rear Heat Shield fitted

Rear	430 mm
Side	580 mm
Max hearth temp	47 °C

Direct air spigot location

(when viewing the rear side of the stove)

Distance from right hand side to centre	168 mm
Distance from floor to centre	151 mm

We recommend this appliance is installed with clearance of 100mm to non-combustible materials
Installation and operating instructions for this stove are available online at www.aradastoves.com.

Farringdon Large Eco



Farringdon Small Eco shown in Chestnut on optional colour-matched stand

The Farringdon range epitomises the finest of British design with innovative technology, exceptional heat control and a generously-proportioned viewing glass.

Farringdon stoves are Ecodesign Ready so they are cleaner burning and have fantastic fuel efficiency. This is a stylish option for heating any energy-conscious home.

Dimensions

Width	615 mm
Height	666 mm
Depth	435 mm
Ideal log length	500 mm

Features

- Lifetime guarantee
- Better than Ecodesign standards when burning wood or solid fuel
- Available in seven colours
- Approved for use in Smoke Control Areas
- Stainless steel ash pan and throat plate
- Top or rear flue fitting*
- Direct air compatible
- Preheated airwash system for clean glass
- Externally controlled riddling grate - from either side
- Rear heat shield for closer positioning to combustibles
- Height adjusting legs as standard
- Choice of standard detachable handle or optional detachable wooden handle

*6 inch spigot supplied as standard.
5 inch spigot available free of charge on request



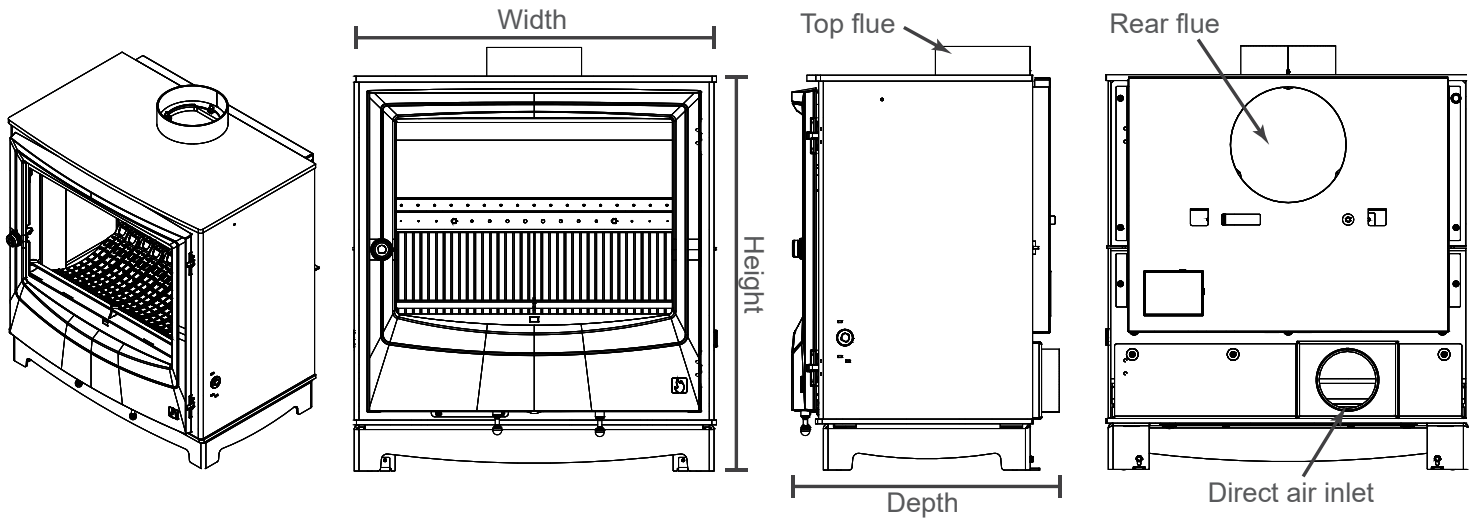
Farringdon Large Eco



Optional wooden handle

Optional Extras: Wooden safety handle / Stand / Log store / Pedestal / Floor fixing kit

Farrington Large Eco



Dimensions

Width (across canopy)	615 mm
Height (on standard fitted feet)	666 mm
Depth (including handle boss)	435 mm
Height of stand	130 mm
Height of pedestal	293 mm
Height of log store	330 mm
Total height on stand	796 mm
Total height on pedestal	959 mm
Total height on log store	996 mm
Flue diameter	152 mm
Depth from back to centre of top flue	113.5 mm
Height to centre of rear flue	547.5 mm
Ideal log length	500 mm

Performance	Wood Fuel	Solid Fuel
Energy Efficiency Class	A	E
Nett Efficiency	77 %	79.8 %
Nominal Output	10.6 Kw	12.1 kW
Output Range	7.6 - 11.4 kW	
Mean Co Emission (@13% O ₂)	0.08 %	0.04 %
Mean CO ₂ Emission	12 %	13.7 %
DIN+ particulate	13 Nmg/m ³	8 Nmg/m ³
Mean NO _x Emission (@13% O ₂)	75 Nmg/m ³	66 Nmg/m ³
Mean OGC Emission (@13% O ₂)	63 Nmg/m ³	6 Nmg/m ³
Flue Gas Mass Flow	8.5 g/s	7.2 g/s
Flue Gas Temperature	337 °C	377 °C
Typical fuel load to achieve rated nominal heat output/hr	1.74 kWh/kg (seasoned hardwood)	1.74 kWh/kg (MSF Maxibrite)

Features

Stove body type	Freestanding
Ecodesign Ready	Yes
Suitable for smoke control areas	Yes
Suitable for direct air connection	Yes
Suitable for non-combustible 12mm hearth	Yes
Weight gross (packed kg)	144 Kg
Weight nett (unpacked kg)	138 Kg

Minimum distance to combustibles

Single Walled Flue, without Rear Heat Shield fitted

Rear	600 mm
Side	500 mm
Max hearth temp	64 °C

Twin Walled Flue with Rear Heat Shield fitted

Rear	430 mm
Side	600 mm
Max hearth temp	64 °C

Direct air spigot location

(when viewing the rear side of the stove)

Distance from right hand side to centre	208 mm
Distance from floor to centre	151 mm

We recommend this appliance is installed with clearance of 100mm to non-combustible materials
Installation and operating instructions for this stove are available online at www.aradastoves.com.

Farringdon Catalyst Eco



Farringdon Catalyst Eco Eco shown in Slate grey

The Farringdon range epitomises the finest of British design with innovative technology, exceptional heat control and a generously-proportioned viewing glass.

Farringdon stoves are Ecodesign Ready so they are cleaner burning and have fantastic fuel efficiency. This is a stylish option for heating any energy-conscious home.

Dimensions

Width	615 mm
Height	696 mm
Depth	510 mm
Ideal log length	500 mm

Features

- Lifetime guarantee
- Better than Ecodesign standards for burning wood
- Available in seven colours
- Approved for use in Smoke Control Areas
- Stainless steel ash pan and throat plate
- 6 inch top flue
- Direct air compatible
- Preheated airwash system for clean glass
- Externally controlled riddling grate
- Rear heat shield for closer positioning to combustibles
- Height adjusting legs as standard
- Wooden handle supplied as standard



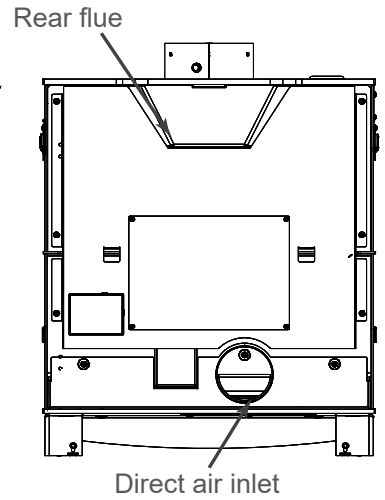
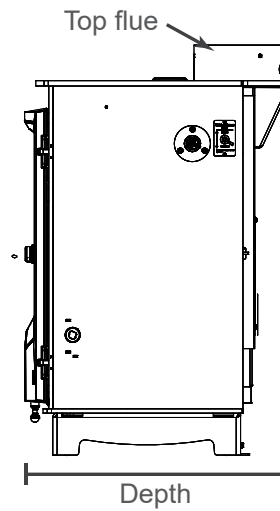
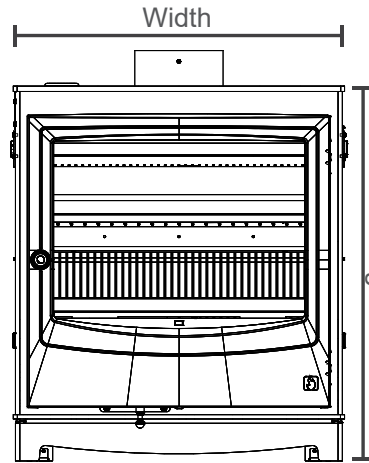
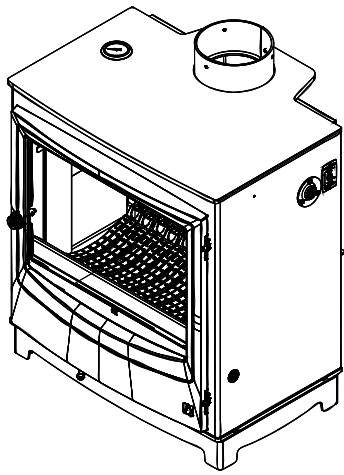
Farringdon Catalyst Eco



Wooden handle

Optional Extras: Stand / Log store / Pedestal / Floor fixing kit / Stainless steel handle

Farringdon Catalyst Eco



Dimensions

Width (across canopy)	615 mm
Height (on standard fitted feet)	696 mm
Depth (including handle boss)	510 mm
Height of stand	130 mm
Height of pedestal	293 mm
Height of log store	330 mm
Total height on stand	826 mm
Total height on pedestal	989 mm
Total height on log store	1026 mm
Flue diameter	152 mm
Depth from back to centre of top flue	114 mm
Ideal log length	500 mm

Performance

	Wood Fuel
Energy Efficiency Class	A+
Nett Efficiency	82.4 %
Nominal Output	11.4 Kw
Output Range	10.9 - 11.8 kW
Mean Co Emission (@13% O2)	0.07 %
Mean CO2 Emission	12.73 %
DIN+ particulate	24 Nmg/m3
Mean NOx Emission (@13% O2)	92 Nmg/m3
Mean OGC Emission (@13% O2)	111 Nmg/m3
Flue Gas Mass Flow	7.5 g/s
Flue Gas Temperature	300 °C

Features

Stove body type	Freestanding
Ecodesign Ready	Yes
Suitable for smoke control areas	Yes
Suitable for direct air connection	Yes
Suitable for non-combustible 12mm hearth	Yes
Weight gross (packed kg)	144 Kg
Weight nett (unpacked kg)	138 Kg

Minimum distance to combustibles

	Single Walled Flue
Rear	400 mm
Side	450 mm
Max hearth temp	42.5 °C

Direct air spigot location

(when viewing the rear side of the stove)

Distance from right hand side to centre	208 mm
Distance from floor to centre	151 mm

We recommend this appliance is installed with clearance of 100mm to non-combustible materials
Installation and operating instructions for this stove are available online at www.aradastoves.com.



Holborn 5

Inspired by traditional stove design, the Holborn wears its influences with pride. Its protruding ash lip and flared feet grace the stove with the hallmarks of traditional stove design.

Internally this stove was designed to meet today's demands for low emissions and greater fuel efficiency, this 4.9 kW output model is an extremely efficient Ecodesign Ready stove at heart.

Features

- Surpasses Ecodesign standards for burning wood log fuel
- Approved for use in Smoke Control Areas
- Direct air compatible
- Lifetime guarantee
- Stainless steel ash pan and throat plate
- Top or rear 127mm flue outlet
- Non-smoker paint, available in seven colours
- Externally controlled riddling grate
- Optional rear heat shield for siting stove closer to non-combustible material
- Height adjusting feet as standard

Dimensions

Width	485 mm
Height	650 mm
Depth	388 mm
Ideal log length	300 mm



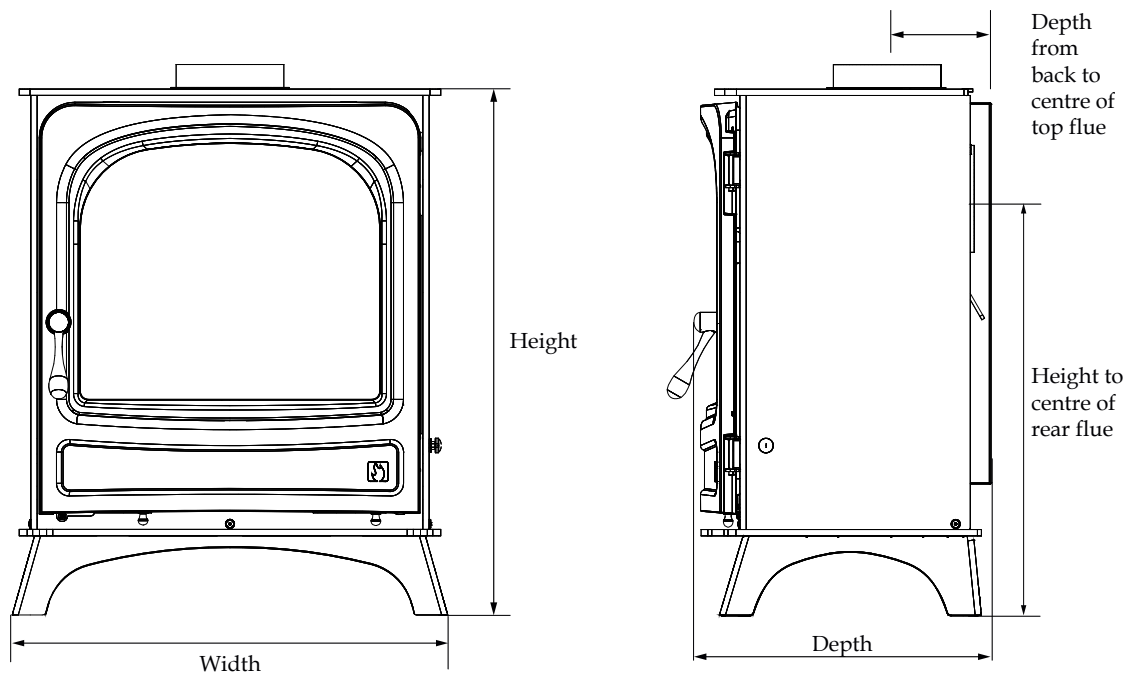
Holborn 5



Stylish and easy to use

Optional Extras: Multi fuel kit / Rear heat shield / Direct air adaptor

Holborn 5



Dimensions

Width	485 mm
Height	650 mm
Depth	388 mm
Flue Diameter	127 mm
Depth from back to centre of top flue	134 mm
Height to centre of rear flue	512 mm
Ideal log length / diameter	300mm / 100mm

Features

Stove body type	Freestanding
Ecodesign Ready	Yes
Suitable for smoke control areas	Yes
Suitable for direct air connection	Yes
Suitable for non-combustible 12mm hearth	Yes
Weight gross (packed kg)	81.5 Kg
Weight nett (unpacked kg)	76.5 Kg

Performance

	Wood Fuel	Solid Fuel
Energy Efficiency Class	A	D
Nett Efficiency	79.8 %	82.3 %
Nominal Output	4.9 kW	4.9 kW
Output Range	4.2 - 5.5 kW	
Mean Co Emission (@13% O ₂)	0.11 %	0.1 %
DIN+ particulate	27 Nmg/m ³	10 Nmg/m ³
Mean NO _x Emission (@13% O ₂)	95 Nmg/m ³	94 Nmg/m ³
Mean OGC Emission (@13% O ₂)	86 Nmg/m ³	26 Nmg/m ³
Flue Gas Mass Flow	4.7 g/s	3.5 g/s
Flue Gas Temperature	255 °C	254 °C
Typical Fuel load for nominal rated output per hour (kWh/Kg)	1.17 (Seasoned hardwood)	0.69 (MSF Maxibrite)

Note: Solid fuel figures achieved with optional solid fuel kit installed

Direct air spigot location

(when viewing the rear side of the stove)

Distance from right hand side to centre	219 mm
Distance from floor to centre	106 mm

Minimum distance to combustibles

	A	B	C
Rear	700 mm	350 mm	75 mm
Side	550 mm	525 mm	500 mm
Max hearth temp.	51 °C	52 °C	51 °C

A = Single Walled Flue, without Rear Heat Shield fitted

B = Single Walled Flue, with Rear Heat Shield fitted

C = Twin Walled Flue, with Rear Heat Shield fitted

We recommend this appliance is installed with clearance of 100mm to non-combustible materials
Installation and operating instructions for this stove are available online at www.aradastoves.com.

Holborn 5 Widescreen



Holborn 5 shown

Inspired by traditional stove design, the Holborn wears its influences with pride. Its protruding ash lip and flared feet grace the stove with the hallmarks of traditional stove design.

Whilst bearing classical design elements outside, internally no sacrifices have been made to meet today's demands for low emissions and greater fuel efficiency, this 4.9 kW output model is an extremely efficient Ecodesign Ready stove at heart.

Features

- Surpasses Ecodesign standards for burning wood log fuel
- Approved for use in Smoke Control Areas
- Direct air compatible
- Lifetime guarantee
- Stainless steel ash pan and throat plate
- Top or rear 127mm flue outlet
- Non-smoker paint, available in seven colours
- Externally controlled riddling grate
- Optional rear heat shield for siting stove closer to non-combustible material
- Height adjusting feet as standard

Dimensions

Width	550 mm
Height	665 mm
Depth	388 mm
Ideal log length	375 mm



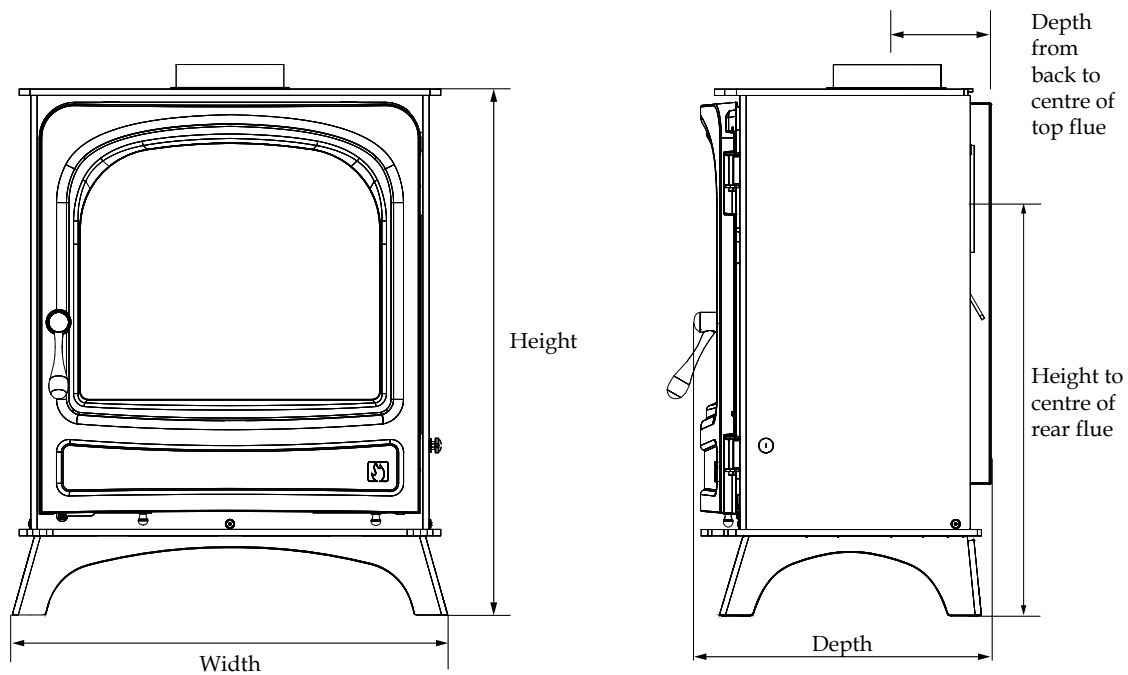
Holborn 5 Widescreen



Stylish and easy to use

Optional Extras: Multi fuel kit / Rear heat shield / Direct air adaptor

Holborn 5 Widescreen



Dimensions

Width	550 mm
Height	665 mm
Depth	388 mm
Flue Diameter	127 mm
Depth from back to centre of top flue	134 mm
Height to centre of rear flue	526 mm
Ideal log length / diameter	375mm / 100mm

Features

Stove body type	Freestanding
Ecodesign Ready	Yes
Suitable for smoke control areas	Yes
Suitable for direct air connection	Yes
Suitable for non-combustible 12mm hearth	Yes
Weight gross (packed kg)	93 Kg
Weight nett (unpacked kg)	88 Kg

Performance

	Wood Fuel	Solid Fuel
Energy Efficiency Class	A	D
Nett Efficiency	81.3 %	79.3 %
Nominal Output	4.9 kW	4.9 kW
Output Range	3.9 - 5.9 kW	
Mean Co Emission (@13% O ₂)	0.1 %	0.09 %
DIN+ particulate	22 Nmg/m ³	9 Nmg/m ³
Mean NO _x Emission (@13% O ₂)	82 Nmg/m ³	102 Nmg/m ³
Mean OGC Emission (@13% O ₂)	68 Nmg/m ³	19 Nmg/m ³
Flue Gas Mass Flow	4.1 g/s	4.2 g/s
Flue Gas Temperature	257 °C	281 °C
Typical Fuel load for nominal rated output per hour (kWh/Kg)	1.15 (Seasoned hardwood)	0.73 (MSF Maxibrite)

Note: Solid fuel figures achieved with optional solid fuel kit installed

Direct air spigot location

(when viewing the rear side of the stove)

Lateral position	Centre
Distance from floor to centre	123.5 mm

Minimum distance to combustibles

	A	B	C
Rear	650 mm	300 mm	50 mm
Side	450 mm	450 mm	250 mm
Max hearth temp.	86.2 °C	43.4 °C	51.1 °C

A = Single Walled Flue, without Rear Heat Shield fitted

B = Single Walled Flue, with Rear Heat Shield fitted

C = Twin Walled Flue, with Rear Heat Shield fitted

We recommend this appliance is installed with clearance of 100mm to non-combustible materials
Installation and operating instructions for this stove are available online at www.aradastoves.com.



Holborn 5 shown

Inspired by traditional stove design, the Holborn wears its influences with pride. Its protruding ash lip and flared feet grace the stove with the hallmarks of traditional stove design.

Whilst bearing classical design elements outside, internally no sacrifices have been made to meet today's demands for low emissions and greater fuel efficiency, this 7 kW model is an extremely efficient Ecodesign Ready stove at heart.

Features

- Surpasses Ecodesign standards for burning wood log fuel
- Approved for use in Smoke Control Areas
- Direct air compatible
- Lifetime guarantee
- Stainless steel ash pan and throat plate
- Top or rear 127mm flue outlet
- Non-smoker paint, available in seven colours
- Externally controlled riddling grate
- Optional rear heat shield for siting stove closer to non-combustible material
- Height adjusting feet as standard

Dimensions

Width	550 mm
Height	665 mm
Depth	388 mm
Ideal log length	375 mm



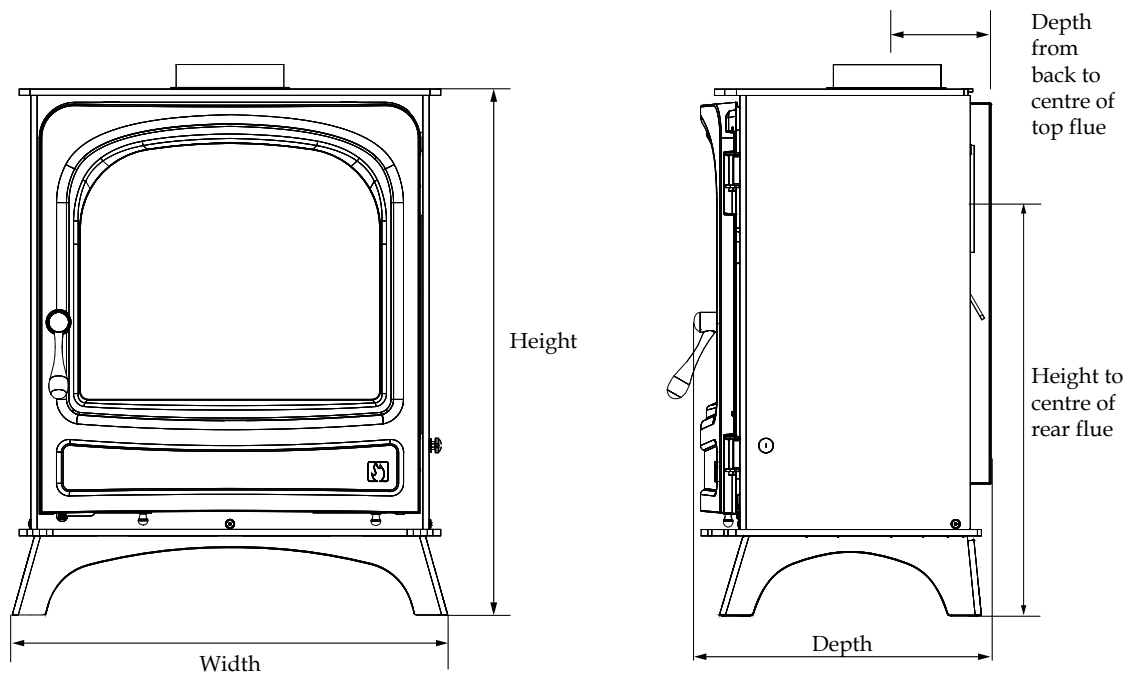
Holborn 7



Stylish and easy to use

Optional Extras: Multi fuel kit / Rear heat shield / Direct air adaptor

Holborn 7



Dimensions

Width	550 mm
Height	665 mm
Depth	388 mm
Flue Diameter	127 mm
Depth from back to centre of top flue	134 mm
Height to centre of rear flue	526 mm
Ideal log length / diameter	375mm / 100mm

Features

Stove body type	Freestanding
Ecodesign Ready	Yes
Suitable for smoke control areas	Yes
Suitable for direct air connection	Yes
Suitable for non-combustible 12mm hearth	Yes
Weight gross (packed kg)	92 Kg
Weight nett (unpacked kg)	87 Kg

Performance

	Wood Fuel	Solid Fuel
Energy Efficiency Class	A	D
Nett Efficiency	78.2 %	81.2 %
Nominal Output	7 kW	7.1 kW
Output Range	5.1 - 7.7 kW	
Mean Co Emission (@13% O ₂)	0.09 %	0.11 %
DIN+ particulate	38 Nmg/m ³	10 Nmg/m ³
Mean NO _x Emission (@13% O ₂)	102 Nmg/m ³	116 Nmg/m ³
Mean OGC Emission (@13% O ₂)	72 Nmg/m ³	39 Nmg/m ³
Flue Gas Mass Flow	5.6 g/s	5.6 g/s
Flue Gas Temperature	310 °C	271 °C
Typical Fuel load for nominal rated output per hour (kWh/Kg)	1.55 (Seasoned hardwood)	1.01 (MSF Maxibrite)

Note: Solid fuel figures achieved with optional solid fuel kit installed

Direct air spigot location

(when viewing the rear side of the stove)

Lateral position	Centre
Distance from floor to centre	123.5 mm

Minimum distance to combustibles

	A	B	C
Rear	650 mm	350 mm	100 mm
Side	600 mm	600 mm	500 mm
Max hearth temp.	95 °C	91.9 °C	71.1 °C

A = Single Walled Flue, without Rear Heat Shield fitted

B = Single Walled Flue, with Rear Heat Shield fitted

C = Twin Walled Flue, with Rear Heat Shield fitted

We recommend this appliance is installed with clearance of 100mm to non-combustible materials
Installation and operating instructions for this stove are available online at www.aradastoves.com.