

A close-up photograph of a red wood-burning stove. The image shows the upper right portion of the stove, including a vented top section and a curved handle. The red paint is highly reflective, showing bright highlights and deep shadows. The handle is a dark, possibly black, material with a silver-colored metal fitting. The overall composition is a detailed view of the stove's craftsmanship.

VERMONT  CASTINGS™

WOOD-BURNING STOVES



CONTENTS

INTRODUCING VERMONT CASTINGS

Welcome to Vermont Castings
Stove features explained

WOODBURNING STOVE RANGE

Intrepid 2in1 Woodburner
Encore 2in1 Woodburner
Defiant 2in1 Woodburner

ACCESSORIES

Stove accessories range

INSTALLATION INFORMATION

Flue collar options
Inglenook clearance guide

Fuel and output information
Warranty information



WELCOME TO VERMONT CASTINGS

Offering classic warmth, timeless beauty and peerless quality that has helped the Vermont stove range stand out from the crowd for over 40 years. Every stove features impeccable hand craftsmanship and great attention to detail.

Demonstrating their commitment to eco-friendly manufacturing, Vermont castings are all made from 100% recycled cast iron.

The range of stoves offers a choice of outputs to suit most homes, using catalytic technology for cleaner emissions, Vermont stoves will provide warmth and comfort for many years to come.

Developed to cope with the harsh, North American winters all Vermont stoves are reliable and long lasting.

For quick and easy refuelling, the stove can be either front loaded through the doors or top loaded via the lifting griddle plate which can also be used for boiling or cooking.



Intrepid 2in1 woodburner shown fitted with warming shelves from the Vermont Castings accessories range (please see page 10).



VERMONT STOVE DESIGN FEATURES

All Vermont Castings stoves have a range of advanced features built in - they are designed to make using your stove more convenient and enjoyable whilst being more environmentally friendly. The following key explains each feature - the relevant symbols appear on each product page in this brochure.

The Vermont Castings catalytic combustion system



The Vermont 2in1 system brings the advantages of a traditional wood stove and a catalytic wood stove into one appliance. You can choose to run your stove either non-catalytic with its dramatic flame patterns and roaring fire, or simply convert to catalytic combustion and burn more efficiently with cleaner emissions and a more controlled burn rate.



Smoke Exempt stoves mean that you can now burn wood in smoke controlled zones. Our Intrepid 2in1, Encore 2in1 and Defiant 2in1 woodburning stoves are approved as Smoke Exempt by DEFRA. This exemption requires that the stove is used in accordance with the users manual. Visit www.defra.gov.uk for further information.



Catalytic combustion system

High temperature Catalytic Combustion helps clean emissions and re burns smoke particles.



Thermostatic control

Primary air entering the stove is automatically controlled by a lever operated thermostat. Once set at the desired burn rate the thermostatic control ensures that the stove delivers a constant steady level of output for the longest possible time ensuring maximum burn time efficiency from the wood fuel.



Airwash system

Secondary air is 'washed' over the inside of the ceramic door glass which helps prevent the build up of unsightly tar deposits and particles, leaving a clearer view of the fire and requiring less cleaning.



Top loading

A Top Loading system that allows the stove to be filled to capacity for longer burn times, greater heat output and less frequent loading. Safety is also increased as flying sparks and falling hot ashes are virtually eliminated.



Clean burn technology

A clean supply of air is fed into the stove above the fire resulting in combustion gases being burnt rather than released through the chimney - creating extra heat output as well as reducing emissions into the atmosphere.



Infra-red reflective glass

A special infra-red coating that has a similar effect to our airwash system - keeping the ceramic door glass clear of combustion deposits and discolouration. This again results in less cleaning and a clearer view of the fire.



Easy ash handling

A swing out ashpan (featured in the cutaway illustration) makes for safe removal of ash from the stove. A lid with handle is also supplied to make easy work of ash removal and disposal.



A-RATED



INTREPID

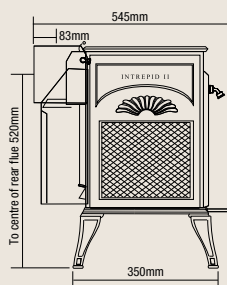
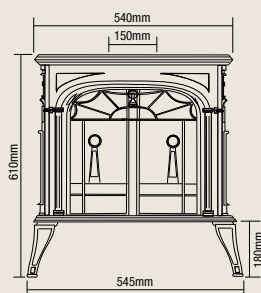
The Intrepid 2in1 woodburner is the classic Vermont Castings stove - intricate styling from handcrafted cast iron, plus a range of sophisticated features and all in a compact stove that would grace any room. Equipped with a powerful airwash system to help keep the ceramic door glass clear of deposits, catalytic combustion for cleaner emissions and even a handy top hotplate for warming a casserole or simply boiling the kettle. The Intrepid 2in1 is available in bordeaux and classic cast black.



FEATURES AT A GLANCE

- Handcrafted cast iron construction featuring the attention to detail Vermont Castings are renowned for
- Smoke Exempt for woodburning in smoke controlled zones - ideal for a townhouse installation
- Catalytic combustion for cleaner emissions
- Top hotplate cooking surface - ideal for boiling a kettle
- Front loading and convenient top loading
- Powerful airwash system to help keep the ceramic glass door clear of unsightly deposits
- Automatic thermostatic operation for even heat output
- Adjustable feet for easy installation on uneven flooring
- Swing out high capacity ashpan with lid for easier, safer and cleaner ash removal.

SPECIFICATIONS



Classic Black



Bordeaux

Fuel	Wood
Nominal Output	4.9 kW
Min Output	3.2 kW
Max Output	7.5 kW
Net Efficiency	80.2%
Max Hearth Temp	Less than 100°C
Weight	120 Kgs
Max Log Length	41 cm
Flue Diameter	150 mm (inside dia)
Flue Location	Top or Rear
EEL classification for ecolabelling 2018	A

ACCESSORIES RANGE

Flue collar options	Spark screen	Thermometer	Warming shelves	Childguard fence	Steamer	Log carrier
-	✓	✓	✓	✓		
Woodbox	Gloves	Trivet	Exterior air kit	Gasket kits	Rear heat shield	
	✓		✓	✓	✓	

Please see page 10 for a full description of accessories.





A-RATED



ENCORE

Classic Vermont Castings styling, handcrafted cast iron and an 8 -12kW output makes the Encore a practical and visually stunning stove.

Available in Bordeaux enamel or Classic Cast Black the Encore features our 2 in 1 combustion system allowing you to choose between normal and catalytic operation. Powerful airwash system to help keep the door glass clean.

Smokeless top loading.

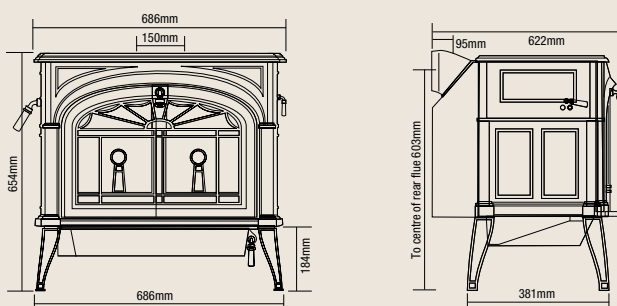
Swing out high-capacity ash pan with additional lid keeps ash and dust to minimum.



FEATURES AT A GLANCE

- Handcrafted cast iron construction featuring the attention to detail Vermont Castings are renowned for
- Smoke Exempt for woodburning in smoke controlled zones - ideal for a townhouse installation (when operated through the catalyser only)
- 2 in 1 catalytic combustion system
- Top hotplate cooking surface - ideal for boiling a kettle
- Front loading and convenient top loading
- Powerful airwash system to keep the ceramic glass door clear of unsightly deposits
- Automatic thermostatic operation for even heat output
- Adjustable feet for easy installation on uneven flooring
- Swing out high capacity ashpan for easier and safer ash removal and disposal

SPECIFICATIONS



Classic Black



Bordeaux

Fuel	Wood
Nominal Output	8 kW
Min Output	4 kW
Max Output	12 kW
Net Efficiency	78.5%
Max Hearth Temp	Less than 100°C
Weight	215 Kgs
Max Log Length	55 cm
Flue Diameter	150 mm (inside dia)
Flue Location	Top or Rear
EI classification for ecolabelling 2018	A

ACCESSORIES RANGE

Flue collar options	Spark screen	Thermometer	Warming shelves	Childguard fence
✓	✓	✓	✓	✓
Gloves	Exterior air kit	Gasket kits		
✓	✓	✓		

Please see page 10 for a full description of accessories.





A-RATED



DEFIANT

For those who need serious, high output woodburning, together with classic style and panache, the Defiant stands ready and willing. A real powerhouse of a stove with a huge capacity top or front-loading option. With a 12-15kW max output this stove will heat the largest of rooms and stay running for long time periods.

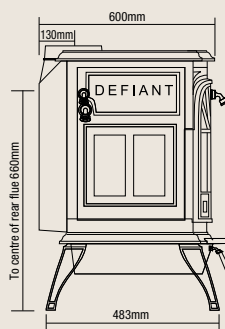
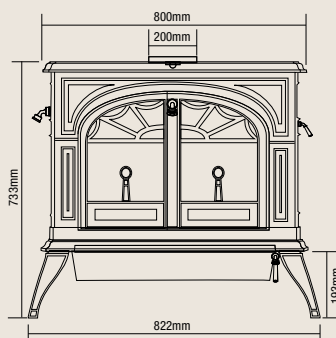
Intricate handcrafted castings, remarkable longevity and long-term reliability make Vermont Stoves famous worldwide. Available in Bordeaux enamel or Classic Cast Black the Defiant features the 2 in 1 combustion system allowing you to choose between normal and catalytic operation. Powerful air wash system to help keep the door glass clean. Smokeless top loading. Swing out high-capacity ash pan with additional lid keeps ash and dust to minimum.



FEATURES AT A GLANCE

- Handcrafted cast iron construction featuring the attention to detail Vermont Castings are renowned for
- Smoke Exempt for woodburning in smoke controlled zones - ideal for a townhouse installation (when operated through the catalyser only)
- 2 in 1 catalytic combustion system
- Top hotplate cooking surface - ideal for boiling a kettle
- Front loading and convenient top loading
- Powerful airwash system to keep the ceramic glass door clear of unsightly deposits
- Automatic thermostatic operation for even heat output
- Adjustable feet for easy installation on uneven flooring
- Swing out high capacity ashpan for easier and safer ash removal and disposal

SPECIFICATIONS



Classic Black



Bordeaux

Fuel	Wood
Nominal Output	9.5 kW
Min Output	4 kW
Max Output	15 kW
Net Efficiency	CAT 79% / NON-CAT 73.9%
Max Hearth Temp	Less than 100°C
Weight	235 Kgs
Max Log Length	61 cm
Flue Diameter	150 mm (inside dia)
Flue Location	Top or Rear
EI classification for ecolabelling 2018	A

ACCESSORIES RANGE

Flue collar options	Spark screen	Thermometer	Warming shelves	Childguard fence	Exterior air kit	Gasket kits
✓	✓	✓	✓	✓	✓	✓

Please see page 10 for a full description of accessories.



STOVE ACCESSORIES

A range of high quality accessories is available to perfectly complement your Vermont Castings stove.

Childguard fence



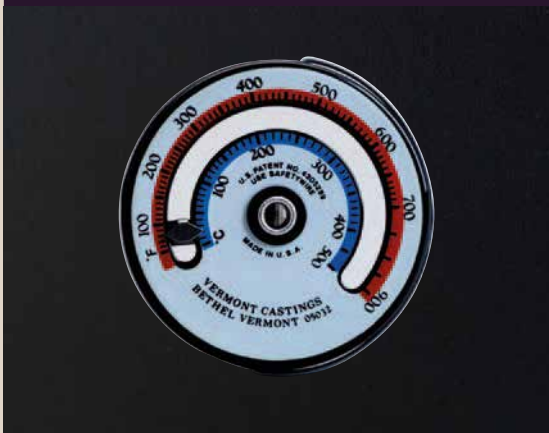
Portable stove safety fence measuring 780mm H x 765mm W x 665mm D x 3 folding panels. Large enough to surround all Vermont Castings stoves including the Defiant. A must for safety conscious family homes with young children.

Gloves



As worn by the workers in our foundry, these gloves have proved so popular we have now made them available to you. Made from durable leather, these are the perfect gloves for loading your stove whilst it is under fire and too hot to touch.

Thermometer



A sturdily made surface mounted magnetic thermometer designed to work with all of our stoves. Allows you to make the correct air intake settings and will tell you when it is time to reload the stove or shut the damper.

Cast iron warming shelves



Cast Iron Warming Shelves are available in Bordeaux Enamel and Classic Cast Black.

Also available:

Gasket kits and maintenance

A full range of consumables is available to keep your Vermont Castings stove in peak condition - from door glass and seals to gasket kits and enamel touch-ups.



FUEL AND OUTPUT INFORMATION

OUTPUTS

Vermont Castings stoves produce varying degrees of heat. In order to calculate whether an appliance will be suitable for your room please consult your local dealer for advice. As a general rule of thumb you will need approximately 1 kW of heat for every 14 cubic metres of room-space (based on an outdoor temperature of 0°C). Measure your room's height, width and depth to obtain a total cubic metres figure and divide by 14. This calculation can be influenced by other factors such as levels of insulation and number of windows, so treat your final figure as a guideline only. Your dealer will be happy to provide you with a more accurate calculation.

THE ENVIRONMENT

We all have an obligation to protect the environment and preserve its future. Making informed energy decisions now will reflect in the environment around us in the years to come.

Woodburning is a highly efficient way of heating your home and by choosing a Vermont Castings stove you can make a difference now to reducing your carbon emissions. Wood is environmentally friendly as it consumes more carbon dioxide whilst growing than it emits when burning. Wood is also one of the few fuels which is renewable in our lifetime.



SEASONING & STORING LOGS

We recommend that our customers select seasoned hard wood logs purchased from a sustainable forest management scheme to ensure that the wood you burn will be replaced using reliable methods. We advise that the logs should be cut to the required length, split and then stored outside in a manner that allows the air to circulate but under cover to keep them protected from the rain for a period of 2 years or until they have a moisture content of less than 20% before burning. Freshly cut logs have a moisture content of around 50% making them not only difficult to burn but as they



burn, they create large amounts of tar which will build up on the glass doors and inside the flue liner which could lead to chimney fires and the premature corrosion of the flue liner. Alternatively, you can purchase kiln dried or "ready to burn" logs which have a moisture content of less than 15%.

SOLID FUEL

The Vermont Castings range of stoves are designed for operation with wood only and are not suitable for use with solid fuels.

CE CERTIFICATION

In line with current building regulations your installer will need to check that the appliance he is installing is CE approved. All of our stoves are fully CE approved.



WARRANTY INFORMATION

All Vermont Castings stoves are covered by a three year warranty covering the major stove body castings as follows :- Stove Top, Bottom, Sides, Back, Front and Door Castings.

Like all other stove manufacturer warranties it does not cover any internal components including the door glass, all of which can be damaged by overfiring.

Overfiring means allowing the appliance to run at such a high temperature as to distort or damage internal components by obvious exposure to excessive heat.

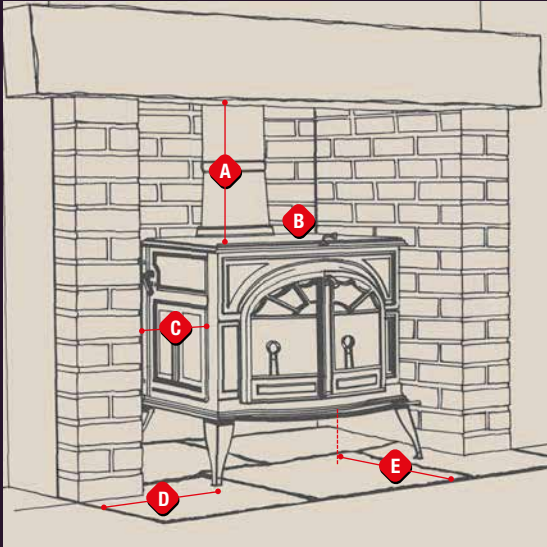
Items not covered by the warranty are as follows:-

Grates, Andirons, Door Glass, Door Ropes, Dampers, Firebricks and Baffles and Internal Castings.

All Vermont Castings stoves should be installed by an appropriately registered HETAS engineer. (www.hetas.co.uk).

Warranty claims should be submitted through your retailer and must be accompanied by the serial number, receipt, copy of the HETAS certificate and any photographs to illustrate the problem.

INSTALLATION CLEARANCES



INGLENOOK INSTALLATION CLEARANCES FOR ALL STOVES

It is important to ensure that your Vermont Castings stove is installed correctly. We recommend employing the services of a qualified fitter who will be aware of all the latest installation regulations. To ensure that your stove can be safely accommodated within your fireplace the following dimensions are provided as a guide:

Non-combustible surround and inglenook

A	Top of stove to bottom of mantle	450mm
B	Rear of stove to back of inglenook	50mm
C	Side of stove to side of inglenook	125mm
D	Side of stove to edge of hearth	150mm
E	Front of stove to front of hearth	300mm

Combustible surround and inglenook

A	Top of stove to bottom of mantle	750mm
B	Rear of stove to back of inglenook	750mm
C	Side of stove to side of inglenook	600mm

FLUE ADAPTOR OPTIONS



APPLIES TO THE DEFIANT STOVES ONLY.

The Defiant stoves are supplied with an oval flue collar - to connect these stoves to a round flue system a flue collar adaptor is required as highlighted in the photograph opposite.



Classic Black



Bordeaux



Oval to round adapter available in classic black or bordeaux

VERMONT  **CASTINGS™**

Your local Vermont Castings dealer:

Distributed by Harworth Heating

All installations shown in this brochure are for illustrative purposes only. All actual installations must comply with the latest building regulations and Vermont installation manuals. Please note that due to limitations of the printing process, colour reproduction of the stoves may vary slightly from those shown.

Vermont reserves the right to amend any specifications herein or to make any product design changes. The specifications, dimensions and information shown within our brochures are provided for information purposes only and are not binding. Vermont Castings reserves the right to amend any specifications herein or to make any product design changes or to withdraw product without notice.