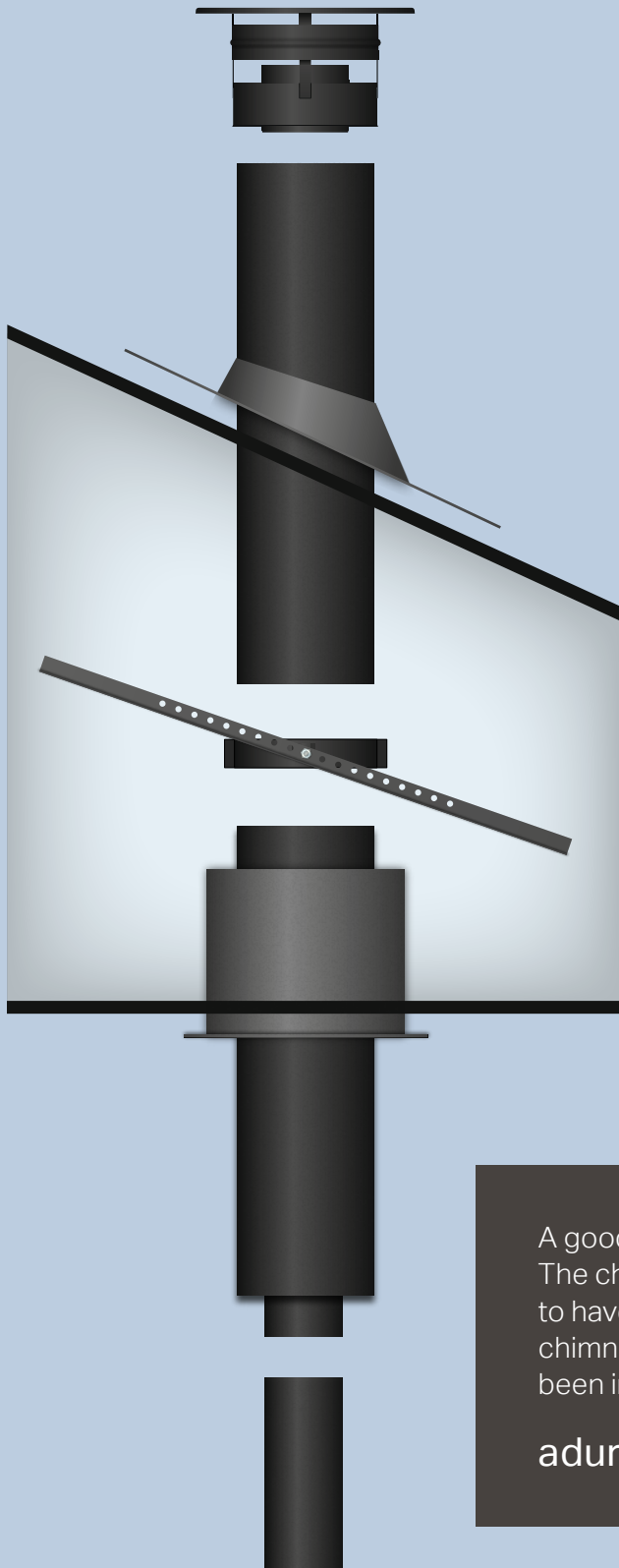




Aduro Steel Chimney



Why you should choose Aduro Steel Chimney:

- Quality product
- All-welded, stainless acid-proof inner core
- Beautiful finish and slim design – without visible welds
- Stainless outer core with UV-resistant powder coating in the same colour as the stove
- Start sections without visible joints in the living room
- Wind proof chimney cap with extra band preventing wind
- Short distance to combustible materials
- Tough product, which withstands wind and weather
- CE marked / EN 1856-1
- Inner diameter 150 mm and outer diameter 250 mm

**10-year
warranty**
against
corrosion

**Easily
mounted &
calculated**

A good chimney is vital for your stove to function properly. The chimney is your stove's engine, and therefore it is crucial to have sufficient draught in your chimney. You can mount the chimney yourself, we recommend to use it only once it has been inspected and approved by your local chimney sweeper.

adurofire.com

Products overview

Uninsulated pipe	Article no.	EAN
Flue pipe 1,0 m, black	54100	5704065004731
Flue pipe 1,25 m, black	54101	5704065004755
Flue pipe 1,5 m, black	54102	5704065004779
Flue pipe 2,0 m, black	54103	5704065004793
Flue pipe 3,0 m, black	54104	5704065008593

Flue pipe between stove and start section (2 mm, Ø150 mm, cylindrical).

Insulated start section	Article no.	EAN
Insulated start section 0,1 m, black	54115	5704065004854
Insulated start section 0,4 m, black	54116	5704065004878
Insulated start section 0,9 m, black	54117	5704065004892
Insulated start section 0,1 m with 22 cm flue pipe, black	54118	5704065007893
Insulated start section 0,7 m with 22 cm flue pipe, black	54119	5704065007909

Insulated pipes with start connection for Ø150 mm, uninsulated flue pipe.

Insulated pipe with start connection directly for stove (Ø150 mm flue pipe mounted).

Insulated pipe	Article no.	EAN
Insulated pipe 0,25 m, black	54110	5704065004816
Insulated pipe 0,33 m, black	54111	5704065004823
Insulated pipe 0,5 m, black	54112	5704065004830
Insulated pipe 1,0 m, black	54113	5704065004847

Insulated pipes with an effective extension of L - 7 cm (incl. hose clips, double).

Masking flange	Article no.	EAN
Masking flange 0°, black	54120	5704065004915
Masking flange, two part 0-10°, black	54121	5704065004939
Masking flange, two part 10-35°, black	54122	5704065004953
Masking flange, two part 35-45°, black	54123	5704065004977

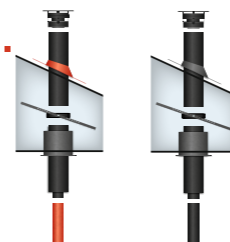
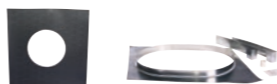
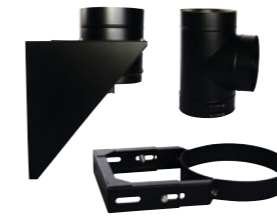
Decorative collar around start section in the living room (incl. screws and sealing strip).

Roof flashing galvanized	Article no.	EAN
Roof flashing galvanized, 0-9°, black	54135	5704065005073
Roof flashing galvanized, 5-32°, black	54136	5704065005080
Roof flashing galvanized, 31-45°, black	54137	5704065005219
Roof flashing galvanized, 46-65°, black	54138	5704065005226
Roof flashing galvanized, ridge, 20° (17,5-22,5°), black	54139-20	5704065005233
Roof flashing galvanized, ridge, 25° (22,5-27,5°), black	54139-25	5704065005240
Roof flashing galvanized, ridge, 30° (27,5-32,5°), black	54139-30	5704065005257
Roof flashing galvanized, ridge, 35° (32,5-37,5°), black	54139-35	5704065005264
Roof flashing galvanized, ridge, 40° (37,5-42,5°), black	54139-40	5704065005271
Roof flashing galvanized, ridge, 45° (42,5-47,5°), black	54139-45	5704065005288

Hot-galvanized roof flashing for asphalt roofing and other non-corrugated roof types such as slate roofing (incl. screws and sealing strip).

Roof flashing Eco Flex	Article no.	EAN
Roof flashing Eco Flex 5-32°, black	54130	5704065005066
Roof flashing Eco Flex 31-45°, black	54131	5704065005318
Roof flashing Eco Flex 46-65°, black	54132	5704065005325
Roof flashing Eco Flex, ridge, 20° (17,5-22,5°), black	54133-20	5704065005332
Roof flashing Eco Flex, ridge, 25° (22,5-27,5°), black	54133-25	5704065005349
Roof flashing Eco Flex, ridge, 30° (27,5-32,5°), black	54133-30	5704065005356
Roof flashing Eco Flex, ridge, 35° (32,5-37,5°), black	54133-35	5704065005363
Roof flashing Eco Flex, ridge, 40° (37,5-42,5°), black	54133-40	5704065005370
Roof flashing Eco Flex, ridge, 45° (42,5-47,5°), black	54133-45	5704065005387
Weathercollar for flashing (Eco Flex and galvanized)	54159	5704065005400
Extension for flexible flashing, 1 metre	54134	5704065008586

Mouldable roof flashing for corrugated roof types, such as tiles, eternit (fiber-cement), concrete tiles and corrugated steel sheets.



Elements for backwards mounting	Article no.	EAN
T-section 0,45 m, black	54141	5704065005127
Wall console standard 10-14 cm, black	54143	5704065005134
Wall console telescopic 14-20 cm, black	54144	5704065005141
Wall console telescopic 25-35 cm, black	54163	5704065006353
Wall bracket standard 10-14 cm, black	54145	5704065005158
Wall bracket telescopic 14-20 cm, black	54146	5704065005165
Wall bracket telescopic 25-35 cm, black	54164	5704065006360

Wall console and wall bracket are used for wall mounted chimneys (complete but without screws for mounting in wall). Remember to order an extra hose clip when ordering T-section for use with rear outlet.

Insulated parts	Article no.	EAN
Insulated elbow 15°, black	54147	5704065005172
Insulated elbow 30°, black	54148	5704065005189
Insulated elbow 45°, black	54149	5704065005196

Insulated elbows are used to stagger the chimney (incl. hose clips, double).

Cleaning section with door 0,5 m, black	54150	5704065005202
---	-------	---------------

Used in cases where extra cleaning possibility is required (incl. hose clips, double).

Reductions from stove to uninsulated pipe	Article no.	EAN
Reduction Ø118 outer/Ø155 inner, black	53020	5704065000894
Reduction Ø136 outer/Ø155 inner, black	53027	5704065000931
Reduction Ø148 outer/Ø180 inner, black	53029	5704065001853

Reduction from stove to uninsulated flue pipe. Only used in cases where the stove's flue outlet is not Ø150 mm.

Chimney terminations	Article no.	EAN
Aduro DraftOptimizer	54173	5704065008470
Aduro DraftOptimizer, steel	54173B	5704065008753
Remote for Aduro DraftOptimizer	54176	5704065008807
Connection piece between brick chimney and DraftOptimizer	54174	5704065008487
Coverpart for stepless adjustment	54175	5704065008494
Rotary chimney cowl turbo	54160	5704065005561
Rotary chimney cowl dragon	54161	5704065005424

Incl. top and hose clip, single.

Chimney cap, black	54140	5704065005097
--------------------	-------	---------------

Chimney cap with top (incl. hose clip, single).

Miscellaneous	Article no.	EAN
Vapour barrier sealing	54156	5704065005417
Universal sup-roofing bushing	54155	5704065005394
Chimney roof support 105-190 cm, set	54162	5704065005448

The set consists of an attachment collar around the chimney and two support rods (without roof screws).

Hose clip, single	54151	5704065005295
Hose clips, double	54152	5704065005301
Sealing strip for ceiling collar	54157	5704065005455
Repair paint	54170	5704065005776
Anker plate for brick chimney	54168	5704065006445
Insulation collar for ceiling	54158	5704065005462
Used for all roof/floor penetrations, where insulation is wanted completely against the chimney (Ø350U/250I, H200 mm).		
Chimney support, standard	54129	5704065005059
Chimney support, telescopic	54128	5704065006292

Roof steps	Article no.	EAN
Roof steps eternit and asphalt roofing, black	53293	5704065003819
Roof steps tiles, black incl. braces	53292	5704065003802

Roof steps in metal (without roof screws).

Chimney packages	Article no.	EAN
Chimney package, basis	54171	5704065005516
Insulated start section 0,9 m, ceiling collar 0°, insulation collar, chimney support, insulated pipe 1,0 m, chimney cap.		
Chimney package, basis w/ fully insulated start connection	54172	5704065007954
Insulated start section 0,9 m, ceiling collar 0°, insulation collar, chimney support, 2 x insulated pipe 1,0 m, chimney cap.		
Chimney start package 3,5 m complete	54180	5704065005523
Uninsulated flue pipe 1,5 m, insulated start section 0,9 m, ceiling collar 0°, insulation collar, chimney support, roof flashing Eco Flex 5-32°, insulated pipe 1,0 m, chimney cap.		

Aduro DraftOptimizer

The chimney is the engine of the wood burning stove and it powers combustion. Some experience problems with combustion because of bad draft in the chimney. Aduro DraftOptimizer ensures constant, even draft and reduces smoke and smell. It is installed on top of the chimney and controlled from the inside of the house.

Aduro DraftOptimizer fits both old and new chimneys.



LESS SMOKE OUT OF THE STOVE DOOR



**IMPROVES COMBUSTION
- ADJUSTABLE DRAFT**



LESS SMOKE OUT OF THE CHIMNEY



EASY LIGHTING OF YOUR STOVE



24 VDC LOW VOLTAGE EC ENGINE



**MADE OF STAINLESS STEEL GRADE
AISI 304**



Flue pipes

Aduro offers a versatile range of flue pipes with colours matched to the stove models. The pipes are made from 2 mm high-grade steel, Ø150 mm.



Aduro Fresh Air Kit, Ø80 mm

Complete kit for installation of the fresh air system. The kit includes all the components necessary for a standard rear-facing installation.

