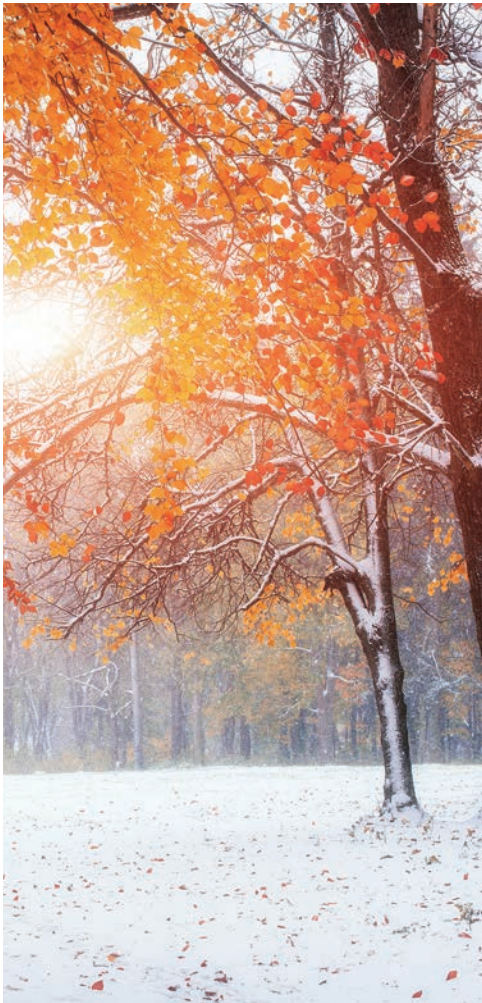


The Stove House 01730 810931
info@thestovehouse ltd.co.uk

PARKRAY 



you're home.



hunterstoves
GROUP

Shake off the cold and relax in the welcoming warmth of a Parkray stove. From slimline, space-conscious solutions, to more powerful stoves that are perfect for open-plan living, a Parkray stove can warm up any space.

THERE IS NOTHING QUITE AS ROMANTIC AS CURLING UP IN FRONT OF A STOVE, AND OUR PARKRAY RANGE OFFERS THE PERFECT SOLUTION FOR HOMES LARGE OR SMALL. FEATURING A SELECTION OF BOTH TRADITIONAL AND CONTEMPORARY DESIGNS, WITH WOOD, MULTIFUEL AND A NEW GAS MODEL AVAILABLE, WE HAVE A STOVE TO SUIT EVERY SETTING.

Most of the stoves in the Parkray range are DEFRA approved to ensure they cover Smoke Control Area standards, giving you peace of mind whilst you keep cosy. With easy control and Tripleburn® technology for eco-friendly, efficient burning, you will find the Parkray range offers the ideal solution to heat your home.

WARRANTY	3
ASPECT 4 RANGE	4 - 5
ASPECT 5 RANGE	6 - 9
ASPECT 6 RANGE	10 - 11
ASPECT 7 RANGE	12 - 13
ASPECT 8 RANGE	14 - 15
ASPECT 9 RANGE	16 - 17
ASPECT 14 RANGE	18 - 19
ASPECT 80B	20 - 21
ASPECT DOUBLE-SIDED RANGE	22 - 25
CONSORT 4 RANGE	26 - 27
CONSORT 5 RANGE (with NEW Consort Gas)	28 - 33
CONSORT 7 RANGE	34 - 35
CONSORT 9 RANGE	36 - 39
CONSORT 15 RANGE	40 - 41
DERWENT	42 - 43
CONSORT DOUBLE-SIDED RANGE	44 - 51
CHEVIN INSET RANGE	52 - 55
OPTIONS AND FEATURES	56 - 63
PARKRAY TRIPLEBURN®	64 - 67
DIMENSIONS	68 - 75



ASPECT 8 SLIMLINE LOW OUTPUT / STAINLESS STEEL HANDLE



10 year warranty

ALL PARKRAY AUTHORISED DEALERS PROVIDE YOU WITH AN EXTENDED 10 YEAR WARRANTY
For full warranty specifications, terms and a list of authorised stockists, please visit www.hunterstoves.co.uk

aspect 4 range

PARKRAY CONTEMPORARY RANGE



THE ASPECT 4 AND ASPECT 4 COMPACT ARE THE SMALLEST OF THE ASPECT COLLECTION, BUT THEY REALLY KICK OUT SOME HEAT.

With a heat output range of 3-5.5kW, DEFRA approval and a very high efficiency, these stoves may be small but ensure a beautiful view of the flames through their large viewing window.

- DEFRA APPROVED
- NO AIR BRICK REQUIRED
- 5" FLUE COLLAR
- TRIPLEBURN® TECHNOLOGY
- HOT AIRWASH SYSTEM
- LARGE VIEWING WINDOW
- MULTIFUEL OPTION
- HANDLE OPTIONS: BLACK CHROME AND STAINLESS STEEL



HEAT OUTPUT 3kW TO 5kW

NOMINAL 4.9kW

ASPECT 4 COMPACT

ENERGY EFFICIENCY CLASS **A+**



HEAT OUTPUT 3.5kW TO 5.5kW

NOMINAL 4.9kW

ASPECT 4

ENERGY EFFICIENCY CLASS **A+**

ASPECT 4 COMPACT / BLACK CHROME HANDLE



aspect 5

range

PARKRAY CONTEMPORARY RANGE



HIGHLY CONTROLLABLE, THE ASPECT 5 SERIES CAN CHANGE FROM A HIGH TO LOW OUTPUT IN A MATTER OF SECONDS.

Even with their generous maximum outputs, these stoves have impressively low CO emissions, which means you can keep warm whilst being environmentally friendly.

- DEFRA APPROVED
- NO AIR BRICK REQUIRED
- 5" FLUE COLLAR
- TRIPLEBURN® TECHNOLOGY
- HOT AIRWASH SYSTEM
- LARGE VIEWING WINDOW
- MULTIFUEL OPTION
- HANDLE OPTIONS: BLACK CHROME AND STAINLESS STEEL



HEAT OUTPUT 4kW TO 6kW

NOMINAL 4.9kW

ASPECT 5 COMPACT

ENERGY EFFICIENCY CLASS **A+**



HEAT OUTPUT 4kW TO 7kW

NOMINAL 4.9kW

ASPECT 5

ENERGY EFFICIENCY CLASS **A**

European Community Design Registration Number 003744416



ASPECT 5 WITH MULTIFUEL KIT ON SHORT PLINTH / STAINLESS STEEL HANDLE

aspect 5

slimline low output

PARKRAY CONTEMPORARY RANGE



TAKE IN THE FULL VIEW OF YOUR FIRE
WITH THE ASPECT 5 SLIMLINE LOW OUTPUT.

The Aspect 5 Slimline Low Output packs in all the features of the 5 but in a slimmer box. Highly controllable with our single air control and easily installed with the 5" collar, this stove really offers contemporary elegance.

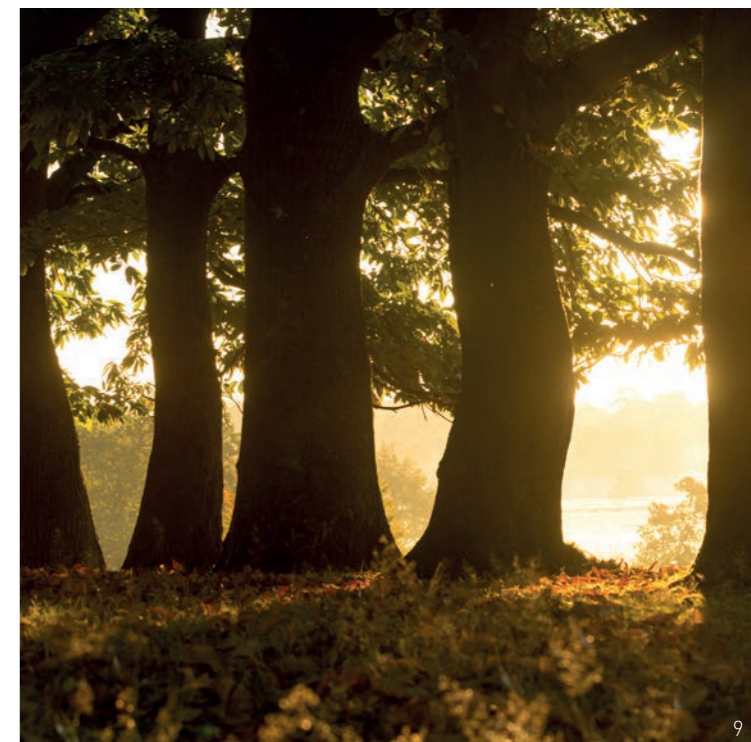
- DEFRA APPROVED
- NO AIR BRICK REQUIRED
- 5" FLUE COLLAR
- TRIPLEBURN® TECHNOLOGY
- HOT AIRWASH SYSTEM
- LARGE VIEWING WINDOW
- CONVECTION STOVE
- MULTIFUEL OPTION
- HANDLE OPTIONS:
BLACK CHROME
AND STAINLESS STEEL



HEAT OUTPUT 3.5kW TO 5.5kW

NOMINAL 4.9kW

ENERGY EFFICIENCY CLASS **A**



aspect 6

PARKRAY CONTEMPORARY RANGE



THE ASPECT 6 OFFERS A TRULY MESMERISING VIEW OF THE FLAMES, MAKING AN ALLURING CENTREPIECE IN ANY ROOM.

Combining looks, controllability and high efficiency, the Aspect 6 is an excellent addition to any home. This stove boasts our famous Tripleburn® technology and offers a generous output of up to 7.5kW, making it an impressive all-rounder.

- DEFRA APPROVAL PENDING*
- NO AIR BRICK REQUIRED
- 5" FLUE COLLAR
- TRIPLEBURN® TECHNOLOGY
- HOT AIRWASH SYSTEM
- LARGE VIEWING WINDOW
- MULTIFUEL OPTION
- HANDLE OPTIONS: BLACK CHROME AND STAINLESS STEEL

* Passed independent testing, awaiting official paperwork.



HEAT OUTPUT 4kW TO 7.5kW

NOMINAL 4.9kW

ENERGY EFFICIENCY CLASS **A**

ASPECT 6 / STAINLESS STEEL HANDLE



aspect 7

PARKRAY CONTEMPORARY RANGE



CURL UP IN FRONT OF THE LARGE LANDSCAPE WINDOW OF THE ASPECT 7 AND RELAX TO THE PICTURESQUE VIEW OF THE FLAMES.

With clean lines, an elegant finish and a truly impressive output, the Aspect 7 will make a great addition to your living space. As with all the stoves in the Aspect range, the Aspect 7 comes with the choice of two different handles, helping it integrate beautifully into your home, whatever the interior.

- DEFRA APPROVAL PENDING*
- NO AIR BRICK REQUIRED
- 5" FLUE COLLAR
- TRIPLEBURN® TECHNOLOGY
- HOT AIRWASH SYSTEM
- LARGE LANDSCAPE VIEWING WINDOW
- MULTIFUEL OPTION
- HANDLE OPTIONS: BLACK CHROME AND STAINLESS STEEL

* Passed independent testing, awaiting official paperwork.



HEAT OUTPUT 4kW TO 7.5kW

NOMINAL 4.9kW

ENERGY EFFICIENCY CLASS A

ASPECT 7 / STAINLESS STEEL HANDLE



aspect 8

range

PARKRAY CONTEMPORARY RANGE



THE ASPECT 8 SERIES HAS SOMETHING TO SUIT ANY SPACE, WITH BOTH A STANDARD AND SLIMLINE MODEL AVAILABLE.

These convection stoves with special trapezoid design effortlessly combine science and style, keeping the whole family toasty when the nights draw in. Both the standard and slimline models boast a glorious flame picture, as well as reduced clearance distances to combustible materials, making them ideal for transforming small openings.

- DEFRA APPROVED*
- NO AIR BRICK REQUIRED**
- 5" FLUE COLLAR
- TRIPLEBURN® TECHNOLOGY
- HOT AIRWASH SYSTEM
- LARGE VIEWING WINDOW
- CONVECTION STOVES
- MULTIFUEL OPTION
- HANDLE OPTIONS: BLACK CHROME AND STAINLESS STEEL

* Aspect 8 approval pending - passed independent testing, awaiting official paperwork.
** Only with Aspect 8 Slimline.



HEAT OUTPUT 6kW TO 11kW

NOMINAL 6kW

ASPECT 8

ENERGY EFFICIENCY CLASS **A**



HEAT OUTPUT 4kW TO 6kW

NOMINAL 4.9kW

ASPECT 8 SLIMLINE LOW OUTPUT

ENERGY EFFICIENCY CLASS **A**

ASPECT 8 SLIMLINE LOW OUTPUT / BLACK CHROME HANDLE



aspect 9

PARKRAY CONTEMPORARY RANGE



ENJOY AN ENCHANTING VIEW OF YOUR FIRE WITH THE ASPECT 9 AND ITS LARGE VIEWING WINDOW.

The Aspect 9 boasts an intuitive air control and advanced Tripleburn® technology, all whilst offering a truly generous heat output. Our powerful hot airwash system maintains an exquisite flame picture, letting you enjoy the view in all its glory.

- DEFRA APPROVAL PENDING*
- 5" FLUE COLLAR
- TRIPLEBURN® TECHNOLOGY
- HOT AIRWASH SYSTEM
- LARGE VIEWING WINDOW
- MULTIFUEL OPTION
- HANDLE OPTIONS: BLACK CHROME AND STAINLESS STEEL

* Passed independent testing, awaiting official paperwork.



HEAT OUTPUT 7kW TO 13kW

NOMINAL 8kW

ENERGY EFFICIENCY CLASS A

ASPECT 9 ON LONG BENCH / STAINLESS STEEL HANDLE



aspect 14

PARKRAY CONTEMPORARY RANGE

BRING YOUR HOME ALIVE WITH THE GLOW OF THE ASPECT 14 AND ITS TOASTY OUTPUT OF UP TO 15KW.

Great for heating larger family rooms, the Aspect 14 offers all the ambiance of a real fire, along with powerful Tripleburn® technology. This contemporary stove burns wood and multifuel beautifully, and comes with two handle options to suit any interior.

- DEFRA APPROVAL PENDING*
- 5" FLUE COLLAR
- TRIPLEBURN® TECHNOLOGY
- HOT AIRWASH SYSTEM
- LARGE VIEWING WINDOW
- MULTIFUEL OPTION
- HANDLE OPTIONS: BLACK CHROME AND STAINLESS STEEL

* Passed independent testing, awaiting official paperwork.



HEAT OUTPUT 8kW TO 15kW

NOMINAL 9.5kW

ENERGY EFFICIENCY CLASS **A**

aspect 80B

PARKRAY CONTEMPORARY RANGE



NOT ONLY DOES THE ASPECT 80B MAKE A MAGNIFICENT CENTREPIECE, BUT IT CAN WARM YOUR ENTIRE HOUSE WITH ITS BOILER SYSTEM.

You can curl up in front of the unbeatable view of the Aspect 80B, safe in the knowledge that your fire is running up to 20 radiators and your hot water. You'll be feeling toasty in no time, so simply sit back and relax as warmth caresses every corner of your home.

- BOILER STOVE
- TRIPLEBURN® TECHNOLOGY
- HOT AIRWASH SYSTEM
- LARGE VIEWING WINDOW
- MULTIFUEL OPTION
- HANDLE OPTIONS: BLACK CHROME AND STAINLESS STEEL



ENERGY EFFICIENCY CLASS **A**

WRAP-AROUND BOILER

18-20 RADIATORS*



NOMINAL OUTPUT BURNING WOOD
11.3kW to water 5.2kW to room

MAXIMUM OUTPUT
16kW (54,600BTU) to water 8kW to room

* Number of radiators is dependent on size.

aspect 4

double-sided single depth

PARKRAY CONTEMPORARY RANGE



PERFECT FOR CONTEMPORARY OPEN-PLAN LIVING, AN ASPECT DOUBLE-SIDED SINGLE DEPTH STOVE OFFERS BOTH ELEGANCE AND INNOVATION.

This family favourite effortlessly combines technology and character to create an enviable stove that will transform an open-plan living area. A single depth stove radiates heat more effectively through your living space, keeping you snug in the winter months.

- DEFRA APPROVAL PENDING*
- DOUBLE-SIDED STOVE
- NO AIR BRICK REQUIRED
- 5" FLUE COLLAR
- TRIPLEBURN® TECHNOLOGY
- HOT AIRWASH SYSTEM
- LARGE VIEWING WINDOW
- MULTIFUEL OPTION
- HANDLE OPTIONS: BLACK CHROME AND STAINLESS STEEL

* Passed independent testing, awaiting official paperwork.



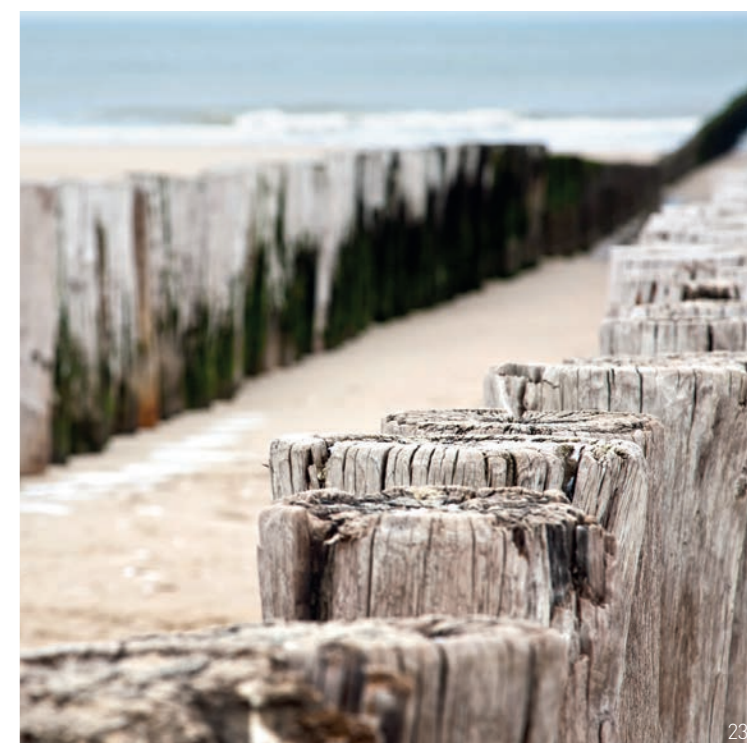
HEAT OUTPUT 4kW TO 6kW

NOMINAL 4.9kW

ENERGY EFFICIENCY CLASS **A**



ASPECT 4 DOUBLE-SIDED SINGLE DEPTH / STAINLESS STEEL HANDLE



aspect 4

double-sided double depth

PARKRAY CONTEMPORARY RANGE



AN ASPECT DOUBLE-SIDED DOUBLE DEPTH STOVE WILL BRING ANY LARGE, OPEN-PLAN SPACE TO LIFE WITH ITS ROARING OUTPUT AND STRIKING GLOW.

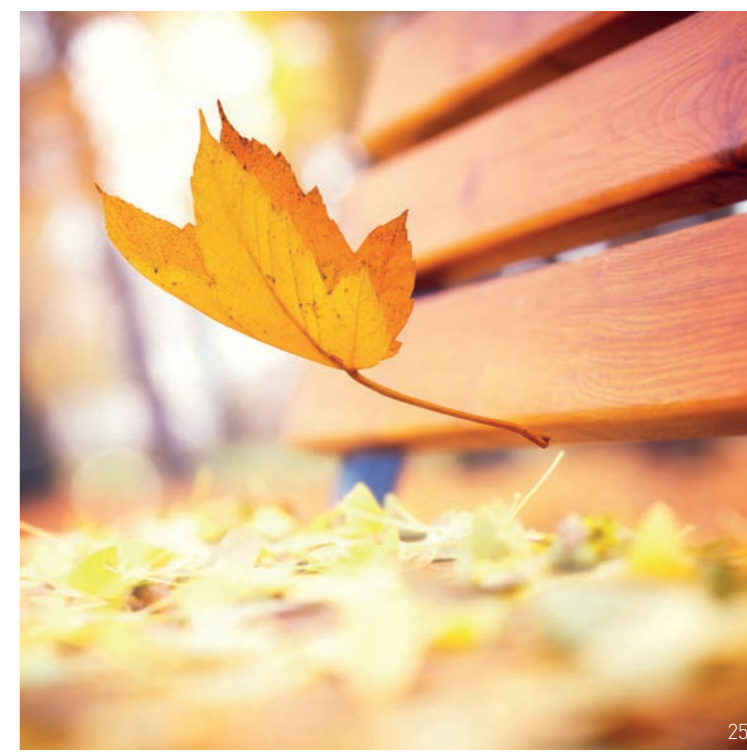
A great option for an open fireplace, an Aspect 4 Double-Sided Double Depth stove will warm family spaces with ease thanks to its powerful Tripleburn® technology and generous output of up to 11kW. Offering high controllability with airflow controls on both sides, a double-double Aspect stove is a force to be reckoned with.

- DEFRA APPROVAL PENDING*
- DOUBLE-SIDED STOVE
- 5" FLUE COLLAR
- TRIPLEBURN® TECHNOLOGY
- HOT AIRWASH SYSTEM
- LARGE VIEWING WINDOW
- MULTIFUEL OPTION
- HANDLE OPTIONS: BLACK CHROME AND STAINLESS STEEL

* Passed independent testing, awaiting official paperwork.



HEAT OUTPUT	6kW TO 11kW
NOMINAL	9.5kW
ENERGY EFFICIENCY CLASS	A



CONSORT 4

PARKRAY TRADITIONAL RANGE



SMALL CAN BE POWERFUL! THE CONSORT 4 IS A SMART, COMPACT STOVE THAT DELIVERS AN IMPRESSIVE HEAT OUTPUT OF UP TO 5.5kW.

For such a small model, this is a remarkable output. Simple to fit (no air brick required) and easy to operate, it's a modern classic. Even though it's less than 40cm wide, the Consort 4 will heat any standard size room. Able to utilise either solid fuel or wood, the Consort 4 will give you hours of warmth and enjoyment.



• MULTIFUEL • WOOD FUEL

- DEFRA APPROVED
- NO AIR BRICK REQUIRED
- 5" FLUE COLLAR
- TRIPLEBURN® TECHNOLOGY
- HOT AIRWASH SYSTEM
- CAN BE FITTED ON A 12MM HEARTH
- WOOD OPTION

HEAT OUTPUT 3kW TO 5.5kW

NOMINAL 4.7kW

ENERGY EFFICIENCY CLASS **A**



CONSORT 5

range

PARKRAY TRADITIONAL RANGE

Remarkably
efficient with an
impressive output.

THIS RANGE PACKS THE BEST FEATURES
INTO A COLLECTION OF TRADITIONAL
LOOKING STOVES.

All Consort 5 models feature 5" flue collars,
Tripleburn® technology and our Hot Airwash
System in a size that suits your home.



CONSORT 5 *range*



CONSORT 5 COMPACT

THE CONSORT 5 COMPACT HAS ALL THE EFFICIENCY OF THE STANDARD CONSORT 5 JUST IN A SLIGHTLY SMALLER UNIT.

Thanks to its technology, the Consort 5 Compact offers an efficient performance in a small package. Slightly larger than the Consort 4, the Consort 5 Compact is a versatile multifuel burner with a generous output of 3.5 - 5.5kW. It's one of our best performing models with an efficiency of 76%.



• MULTIFUEL • WOOD FUEL

- DEFRA APPROVED
- NO AIR BRICK REQUIRED
- 5" FLUE COLLAR
- TRIPLEBURN® TECHNOLOGY
- HOT AIRWASH SYSTEM
- CAN BE FITTED ON A 12MM HEARTH
- WOOD OPTION AVAILABLE

HEAT OUTPUT **3.5kW TO 5.5kW**

NOMINAL **4.7kW**

ENERGY EFFICIENCY CLASS **A**

CONSORT 5

IF YOU ARE LOOKING FOR A LITTLE MORE HEAT FOR A SLIGHTLY BIGGER ROOM, THE CONSORT 5 HAS A STRIKINGLY IMPRESSIVE OUTPUT.

Independent tests have certified an amazing efficiency of 78%. This not only means a better return for every log you use but also that it is exempt from Smoke Control regulations. With its traditional, homely feel the Consort 5 is, hardly surprisingly, one of our most popular models.



• MULTIFUEL • WOOD FUEL

- DEFRA APPROVED
- NO AIR BRICK REQUIRED
- 5" FLUE COLLAR
- TRIPLEBURN® TECHNOLOGY
- HOT AIRWASH SYSTEM
- CAN BE FITTED ON A 12MM HEARTH
- WOOD OPTION AVAILABLE

HEAT OUTPUT **3.5kW TO 6kW**

NOMINAL **4kW**

ENERGY EFFICIENCY CLASS **A**

CONSORT 5 SLIMLINE

IF YOU ARE LIMITED FOR SPACE OR WANT TO FIT A STOVE IN AN AWKWARD SPOT, THE CONSORT 5 SLIMLINE COULD BE AN IMAGINATIVE SOLUTION.

It is a slightly wider and slimmer model able to provide all the heat and efficiency that you expect from the Consort range. The Slimline 5 is ideal within shallow contemporary fireplaces. The stove is DEFRA approved for smoke controlled areas.



• MULTIFUEL • DOUBLE DOOR • MULTIFUEL • SINGLE DOOR • WOOD FUEL • DOUBLE DOOR • WOOD FUEL • SINGLE DOOR

- DEFRA APPROVED
- NO AIR BRICK REQUIRED
- 5" FLUE COLLAR
- TRIPLEBURN® TECHNOLOGY
- HOT AIRWASH SYSTEM
- CAN BE FITTED ON A 12MM HEARTH
- WOOD OPTION AVAILABLE

HEAT OUTPUT **3.5kW TO 6kW**

NOMINAL **4.4kW**

ENERGY EFFICIENCY CLASS **A**



CONSORT 5 GAS

PARKRAY TRADITIONAL RANGE



THE FIRST PARKRAY GAS STOVE ON THE MARKET, THE CONSORT 5 GAS MODEL IS A SMALL STOVE WITH A LOT OF WARMTH TO GIVE.

Bringing all the traditional charm of the Consort range, this compact gas stove allows installation in a smaller fireplace, yet still offers a toasty heat output. Enjoy a wonderfully natural flame picture and a log bed that is exceptionally realistic, with the peace of mind that your stove is fitted with the highest standard of safety features.



- NATURAL GAS
- SINGLE DOOR

- REALISTIC LOG EFFECT
- MANUAL CONTROL
- FLAT TOP
- NATURAL GAS
- BLACK OR STAINLESS
- STEEL HANDLE AND
- AIR CONTROL KNOB

HEAT INPUT 4.7kW (conventional flue)

HEAT OUTPUT 3.7kW (conventional flue)

ENERGY EFFICIENCY CLASS **A**

CONSORT 5 GAS / BLACK HANDLE



CONSORT 7

PARKRAY TRADITIONAL RANGE



A REAL FIRE CREATES A FABULOUS WARM ATMOSPHERE AND HEATS YOUR WHOLE HOME.

Our modern models are supremely efficient. With an output of 7.5kW, the Consort 7 is permitted for use in Smoke Control Areas. Ideal for anyone looking for performance and economy.



- MULTIFUEL DOUBLE DOOR
- MULTIFUEL SINGLE DOOR
- WOOD FUEL DOUBLE DOOR
- WOOD FUEL SINGLE DOOR

- DEFRA APPROVED
- TRIPLEBURN® TECHNOLOGY
- HOT AIRWASH SYSTEM
- CAN BE FITTED ON A 12MM HEARTH
- WOOD OPTION AVAILABLE

HEAT OUTPUT 4kW TO 7.5kW

NOMINAL 5.4kW

ENERGY EFFICIENCY CLASS **A**



CONSORT 9

range

PARKRAY TRADITIONAL RANGE



A family-sized stove with a generous output to match.

THE CONSORT 9 AND 9 SLIMLINE HAVE IMPRESSIVE OUTPUTS AND ARE PERFECT FOR HEATING LARGER ROOMS.

The Consort 9 is even capable of heating your water with the addition of a wrap-around boiler.



CONSORT 9 *range*



CONSORT 9

THE CONSORT 9 HAS BEEN DESIGNED FOR EFFICIENT PERFORMANCE IN LARGER FAMILY ROOMS.

Running at an efficiency of 78.9%, the Consort 9 is an economical way to heat larger areas. It has been painstakingly designed to utilise our best-ever technology. With an output of up to 11kW this is a well-equipped stove.



- MULTIFUEL DOUBLE DOOR
- MULTIFUEL SINGLE DOOR
- WOOD FUEL DOUBLE DOOR
- WOOD FUEL SINGLE DOOR

- TRIPLEBURN® TECHNOLOGY
- HOT AIRWASH SYSTEM
- BOILER OPTION
- LARGE VIEWING WINDOW
- LARGE OUTPUT RANGE
- WOOD OPTION AVAILABLE

HEAT OUTPUT **6kW TO 11kW**

NOMINAL **9kW**

ENERGY EFFICIENCY CLASS **A**

CONSORT 9 SLIMLINE

THE SLIMLINE 9 IS DESIGNED SPECIFICALLY TO FIT IN SHALLOW FIREPLACES, BUT WITHOUT COMPROMISING ON STYLE.

The wide fuel bed can be stacked with plenty of fuel for a long, efficient burn. Airflow controls allow you to manage a range of temperatures. The generous output of up to 8kW makes this model ideal for family spaces.



- MULTIFUEL DOUBLE DOOR
- MULTIFUEL SINGLE DOOR
- WOOD FUEL DOUBLE DOOR
- WOOD FUEL SINGLE DOOR

- DEFRA APPROVED
- NO AIR BRICK REQUIRED
- 5" FLUE COLLAR
- TRIPLEBURN® TECHNOLOGY
- HOT AIRWASH SYSTEM
- CAN BE FITTED ON A 12MM HEARTH
- LARGE VIEWING WINDOW
- WOOD OPTION AVAILABLE

HEAT OUTPUT **4.5kW TO 8kW**

NOMINAL **4.9kW**

ENERGY EFFICIENCY CLASS **A**



BOILER OPTIONS

ASK OUR EXPERTS ABOUT THE CENTRAL HEATING MODELS AVAILABLE FOR THE CONSORT 9.

WRAP-AROUND BOILER

7 RADIATORS



NOMINAL OUTPUT BURNING WOOD
6.4kW to water **2.2kW to room**

NOMINAL OUTPUT BURNING SMOKELESS FUEL
6.3kW to water **1.7kW to room**

MAXIMUM OUTPUT
8.5kW (29,000BTU) to water **2.5kW to room**

ENERGY EFFICIENCY CLASS **A**



CONSORT 15

PARKRAY TRADITIONAL RANGE



DESPITE ITS ROARING BLAZE, THE CONSORT 15 HAS AN INDEPENDENTLY TESTED EFFICIENCY OF 78.6%.

Three air streams ensure effective ignition and lower emissions - delivering supreme performance in a family-sized package. Customise it with optional extras, or add a boiler and put the Consort 15 to work. The airflow controls are easy to use and offer adjustable heat levels, enabling you to warm up big or open-plan spaces with ease.



- MULTIFUEL • DOUBLE DOOR
- MULTIFUEL • SINGLE DOOR
- WOOD FUEL • DOUBLE DOOR
- WOOD FUEL • SINGLE DOOR

- TRIPLEBURN® TECHNOLOGY
- HOT AIRWASH SYSTEM
- BOILER OPTION
- WOOD OPTION AVAILABLE

HEAT OUTPUT 8kW TO 15kW

NOMINAL 11.9kW

ENERGY EFFICIENCY CLASS A

WRAP-AROUND BOILER
10 RADIATORS



NOMINAL OUTPUT BURNING WOOD
9.1kW to water 4.8kW to room

NOMINAL OUTPUT BURNING SMOKELESS FUEL
9.5kW to water 4.8kW to room

MAXIMUM OUTPUT
13kW [44,000BTU] to water 3kW to room

ENERGY EFFICIENCY CLASS A

DERWENT

PARKRAY TRADITIONAL RANGE

ad

THE DERWENT IS ONE OF OUR SMALLEST STOVES. IT HAS A STRIKING CONTEMPORARY LOOK AND HAS BEEN DESIGNED TO FIT COMFORTABLY IN A LIMITED SPACE.

With such a small footprint it has an impressive output of up to 5kW. It ensures your fuel burns better, for longer. Tripleburn® technology ensures that fuel is effectively ignited and used economically.

- DEFRA APPROVED
- NO AIR BRICK REQUIRED
- 5" FLUE COLLAR
- TRIPLEBURN® TECHNOLOGY
- HOT AIRWASH SYSTEM

HEAT OUTPUT 3.5kW TO 5kW

NOMINAL 4.8kW

ENERGY EFFICIENCY CLASS **A**



CONSORT

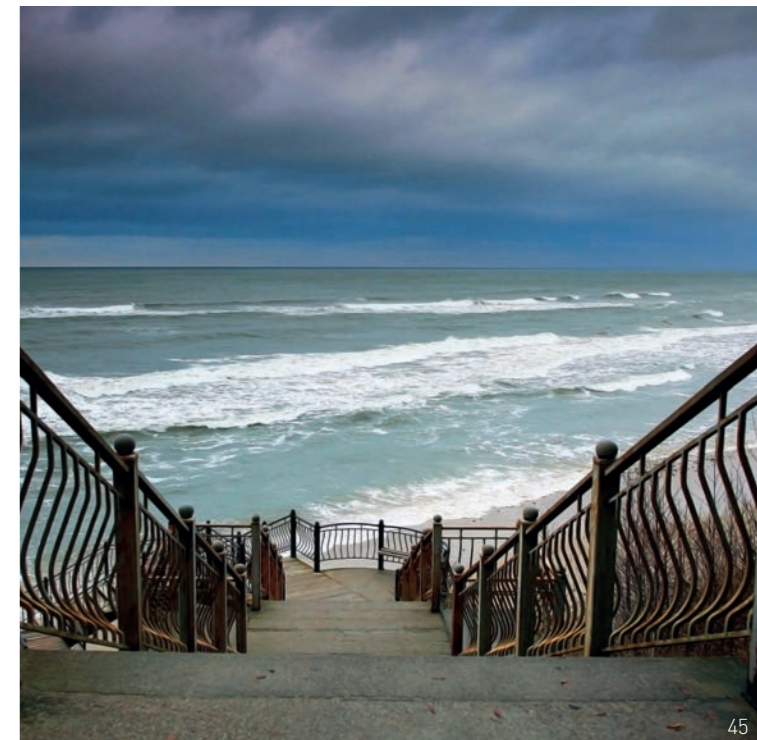
double-sided single depth

PARKRAY TRADITIONAL RANGE

A focal point on both sides, perfect for open-plan living for both traditional and contemporary rooms.

A DOUBLE-SIDED STOVE IS A REVELATION FOR OPEN-PLAN SPACES AND A SINGLE DEPTH STOVE RADIATES HEAT MORE EFFECTIVELY THROUGH YOUR LIVING SPACE.

The Double-Sided Single Depth range features our classic Consort stoves; 4, 7, 9 and our largest yet, the Consort 15.



CONSORT *double-sided single depth*



CONSORT 4 SINGLE DEPTH

IF YOU ARE LOOKING FOR GREAT ECONOMY, A DOUBLE-SIDED CONSORT 4 MODEL IS A COMPACT STOVE THAT RADIATES HEAT MORE EFFECTIVELY THROUGH YOUR LIVING SPACE.

It's easy to install and even easier to use. The internal airwash helps to keep the glass clear and airflow controls on both sides enable you to operate the stove on either side.



- MULTIFUEL
- WOOD FUEL

- 5" FLUE COLLAR
- HOT AIRWASH SYSTEM
- WOOD OPTION AVAILABLE

HEAT OUTPUT 4kW TO 6kW

NOMINAL 6kW

ENERGY EFFICIENCY CLASS A

CONSORT 7 SINGLE DEPTH

THE CONSORT 7 OFFERS A GREAT COMBINATION OF STYLE AND ECONOMY.

Our Double-Sided stove is perfect for open fireplaces, where it provides a focal point on both sides. This variation on our renowned Consort 7 stove has a generous output of up to 8kW. This is a great option for an installation in any open-plan space.



- MULTIFUEL
- MULTIFUEL
- WOOD FUEL
- WOOD FUEL
- DOUBLE DOOR
- SINGLE DOOR
- DOUBLE DOOR
- SINGLE DOOR

- HOT AIRWASH SYSTEM
- WOOD OPTION AVAILABLE

HEAT OUTPUT 5kW TO 8kW

NOMINAL 6.5kW

ENERGY EFFICIENCY CLASS A

CONSORT 9 SINGLE DEPTH

THE CONSORT 9 DOUBLE-SIDED STOVE IS THE ULTIMATE WAY TO WARM A LARGE SPACE AND BRING IT TO LIFE.

This option will warm your space quickly and effectively. Thanks to Tripleburn® technology, it reaches 79% efficiency - so it's a wise choice for the budget conscious.



- MULTIFUEL
- MULTIFUEL
- WOOD FUEL
- WOOD FUEL
- DOUBLE DOOR
- SINGLE DOOR
- DOUBLE DOOR
- SINGLE DOOR

- HOT AIRWASH SYSTEM
- LARGE VIEWING WINDOW
- LARGE OUTPUT RANGE
- WOOD OPTION AVAILABLE

HEAT OUTPUT 6kW TO 11kW

NOMINAL 8.9kW

ENERGY EFFICIENCY CLASS A

CONSORT 15 SINGLE DEPTH

THE LUXURIOUS CONSORT 15 CREATES A SERIOUSLY HEARTY OUTPUT.

Fuel it up and the Consort 15 Double-Sided Single Depth can be left to smoulder. Equipped with all our finest hot airwash and Tripleburn® technology, with heat outputs ranging from 8kW to 15kW, it can handle big open-plan spaces with ease.



- MULTIFUEL
- MULTIFUEL
- WOOD FUEL
- WOOD FUEL
- DOUBLE DOOR
- SINGLE DOOR
- DOUBLE DOOR
- SINGLE DOOR

- HOT AIRWASH SYSTEM
- LARGE VIEWING WINDOW
- LARGE OUTPUT RANGE
- WOOD OPTION AVAILABLE

HEAT OUTPUT 8kW TO 15kW

NOMINAL 11.6kW

ENERGY EFFICIENCY CLASS A

CONSORT

double-sided double depth

PARKRAY TRADITIONAL RANGE



With large windows showing radiant flames on both sides, a Double-Sided Double Depth stove will be the main focus of your home.

MAKE A DOUBLE-SIDED DOUBLE DEPTH THE HEART OF YOUR HOME AND BRING LARGE SPACES TO LIFE.

The Double-Sided Double Depth Consort 15 can produce up to a staggering 25kW heat output - ideal for those who don't do anything by halves.



CONSORT *double-sided double depth*



CONSORT 4 DOUBLE DEPTH

A FAMILY FAVOURITE, THE CONSORT 4 DOUBLE-SIDED DOUBLE DEPTH STOVE ECONOMICALLY PROVIDES FOR ALL YOUR HEATING NEEDS AND ITS REFINED LINES MAKE IT A PLEASURE TO LOOK AT.

With an increased output of almost 100% on the double-sided single depth model, the Consort 4 is powerful, compact and easy to control with the help of our airflow controls on both sides.



- MULTIFUEL
- WOOD FUEL

- HOT AIRWASH SYSTEM
- WOOD OPTION AVAILABLE
- 5" FLUE COLLAR

HEAT OUTPUT 6kW TO 11kW

NOMINAL 10.6kW

ENERGY EFFICIENCY CLASS A

CONSORT 7 DOUBLE DEPTH

A WELL BALANCED STOVE, THE CONSORT 7 DOUBLE-SIDED DOUBLE DEPTH MODEL IS BUILT TO HANDLE ALL SORTS OF ROOM SIZES AND HOUSE TYPES WHILE MAINTAINING COMPOSED ELEGANCE.

A heat output of up to 13kW, large viewing window on both sides and our combination of style and economy means the Consort 7 Double-Sided Double Depth is perfect for large open fireplaces.



- MULTIFUEL
- MULTIFUEL
- WOOD FUEL
- WOOD FUEL
- DOUBLE DOOR
- SINGLE DOOR
- DOUBLE DOOR
- SINGLE DOOR

- HOT AIRWASH SYSTEM
- LARGE OUTPUT RANGE
- WOOD OPTION AVAILABLE

HEAT OUTPUT 8kW TO 13kW

NOMINAL 10.5kW

ENERGY EFFICIENCY CLASS A

CONSORT 9 DOUBLE DEPTH

RADIANT FLAMES ON BOTH SIDES OF THE CONSORT 9 BRING LARGE SPACES TO LIFE, WARMING THEM QUICKLY AND EFFECTIVELY.

The heat output can reach an impressive 18kW, whilst the stove continues to maintain enviable efficiency – perfect for the eco-conscious stove user.



- MULTIFUEL
- MULTIFUEL
- WOOD FUEL
- WOOD FUEL
- DOUBLE DOOR
- SINGLE DOOR
- DOUBLE DOOR
- SINGLE DOOR

- HOT AIRWASH SYSTEM
- LARGE VIEWING WINDOW
- LARGE OUTPUT RANGE
- WOOD OPTION AVAILABLE

HEAT OUTPUT 8kW TO 18kW

NOMINAL 11.4kW

ENERGY EFFICIENCY CLASS A

CONSORT 15 DOUBLE DEPTH

THE CONSORT 15 DOUBLE-SIDED, DOUBLE DEPTH IS OUR BIGGEST STOVE YET.

Perfect for heating big spaces with ease and packed with our best technology, this is a classic stove on a much grander scale.



- MULTIFUEL
- MULTIFUEL
- WOOD FUEL
- WOOD FUEL
- DOUBLE DOOR
- SINGLE DOOR
- DOUBLE DOOR
- SINGLE DOOR

- HOT AIRWASH SYSTEM
- LARGE VIEWING WINDOW
- LARGE OUTPUT RANGE
- WOOD OPTION AVAILABLE

HEAT OUTPUT 14kW TO 25kW

NOMINAL 17.8kW

ENERGY EFFICIENCY CLASS A

CHEVIN 5

inset

PARKRAY TRADITIONAL RANGE



WITH A 4.9kW NOMINAL OUTPUT THE CHEVIN 5 INSET IS EASY TO INSTALL AND NEEDS NO EXTRA VENTILATION.

There is no doubt that this stove is one of our best performers and is an excellent contender to replace a gas fire. The Chevin has been DEFRA approved for Smoke Control Areas.



• STAINLESS STEEL HANDLE • BLACK HANDLE

- DEFRA APPROVED
- NO AIR BRICK REQUIRED
- TRIPLEBURN® TECHNOLOGY
- HOT AIRWASH SYSTEM
- CONVECTION STOVE
- LARGE VIEWING WINDOW
- HANDLE OPTION
- 5" FLUE COLLAR

HEAT OUTPUT 3.5kW TO 5.5kW

NOMINAL 4.9kW

ENERGY EFFICIENCY CLASS A

CHEVIN 5 INSET / BLACK HANDLE



CHEVIN 20B

inset

PARKRAY TRADITIONAL RANGE



TO HELP WITH YOUR CENTRAL HEATING AND WATER DEMANDS WE HAVE DEVELOPED AN INSET STOVE THAT INCORPORATES A BOILER.

Instead of a space consuming boiler, a stunning inset fire drives your central heating and what's more comforting than real flames? With an impressive 10.4kW boiler and a cosy 5.1kW to your room, it's guaranteed to keep you snug all winter.



- STAINLESS STEEL HANDLE
- SINGLE DOOR
- BLACK HANDLE
- DOUBLE DOOR
- BLACK HANDLE
- SINGLE DOOR
- STAINLESS STEEL HANDLE
- DOUBLE DOOR


- HOT AIRWASH SYSTEM
- BOILER OPTION
- LARGE VIEWING WINDOW
- DIRECT AIR OPTION
- HANDLE OPTION

HEAT OUTPUT 5kW TO 6kW

NOMINAL 5.1kW

ENERGY EFFICIENCY CLASS **A**

WRAP-AROUND BOILER
10 RADIATORS



NOMINAL OUTPUT BURNING WOOD
10.7kW to water 5.1kW to room

NOMINAL OUTPUT BURNING SMOKELESS FUEL
10.7kW to water 5.1kW to room

MAXIMUM OUTPUT
12kW (41,000BTU) to water 6kW to room

CHEVIN 20B INSET / DOUBLE DOOR / STAINLESS STEEL HANDLE

aspect *features*

	ASPECT 4 COMPACT	ASPECT 4	ASPECT 5 COMPACT	ASPECT 5	ASPECT 5 SLIMLINE LOW OUPUT	ASPECT 6
DEFRA approved	Y	Y	Y	Y	Y	Pending
Nominal Heat Output to room (kW)	4.9	4.9	4.9	4.9	4.9	4.9
Heat Output Range (kW)	3-5	3.5-5.5	4-6	4-7	3.5-5.5	4-7.5
Efficiency on wood (%)	85.5	85.9	81.6	79.1	78.9	78.3
CO emission (at 13% O ₂) (%)	0.48	0.33	0.18	0.17	0.20	0.24
Boiler option	NA	NA	NA	NA	NA	NA
Ventilation (mm ²)	NA	NA	NA	NA	NA	NA
Log lengths (mm)	280	280	350	350	330	350
Weight (kg)	52	56	70	74	85	93
Clearance Distances to combustible materials (mm)*	Rear: 100 Side: 500	Rear: 200 Side: 600	Rear: 200 Side: 550	Rear: 200 Side: 600	Rear: 200 Side: 250	Rear: 150 Side: 650
Clearance Distances to non-combustible materials (mm)	Rear: 50 Side: 50	Rear: 50 Side: 50	Rear: 50 Side: 50	Rear: 50 Side: 50	Rear: 50 Side: 50	Rear: 50 Side: 50

CONTACT YOUR DEALER FOR INSTALLATION ADVICE Y = YES NA = NOT APPLICABLE

* Distances when installed with a twin walled flue (with the addition of a heat shield)

aspect *options*



PLINTH

You can choose to have your Aspect stove fitted on a log plinth, which raises it up off the floor and provides a handy place to store your wood. Stoves fitted on plinths can be installed on a 12mm hearth when freestanding.

STOVE	HEIGHT	DEPTH	WIDTH
ASPECT 4 COMPACT	150/225	307	400
ASPECT 4	150/225	357	400
ASPECT 5 COMPACT	150/225	312	494
ASPECT 5	150/225	362	494
ASPECT 5 SLIMLINE	150/225	325	550
ASPECT 6	150/225	405	557
ASPECT 7	150/225	364	579
ASPECT 8	150/225	405	617
ASPECT 8 SLIMLINE	150/225	328	610
ASPECT 9	150/225	401	616
ASPECT 14	150/225	539	667
ASPECT 80B	225	491	764

* All dimensions are in mm.

BENCH

The stoves in the Aspect range have the option of being fitted on a bench. There is a choice of two lengths, 800mm and 1,195mm long. Both are at a height of 345mm and a depth of 415mm. Stoves fitted on benches can be installed on a 12mm hearth when freestanding.



DIRECT AIR

All of our Aspect stoves come with the option of a direct air kit. Please note that these are not room sealed.

FLUE DAMPER

Allows a greater controllability on the flue draw (if necessary). Please note that a taller flue collar is needed with a flue damper.

HEAT SHIELD

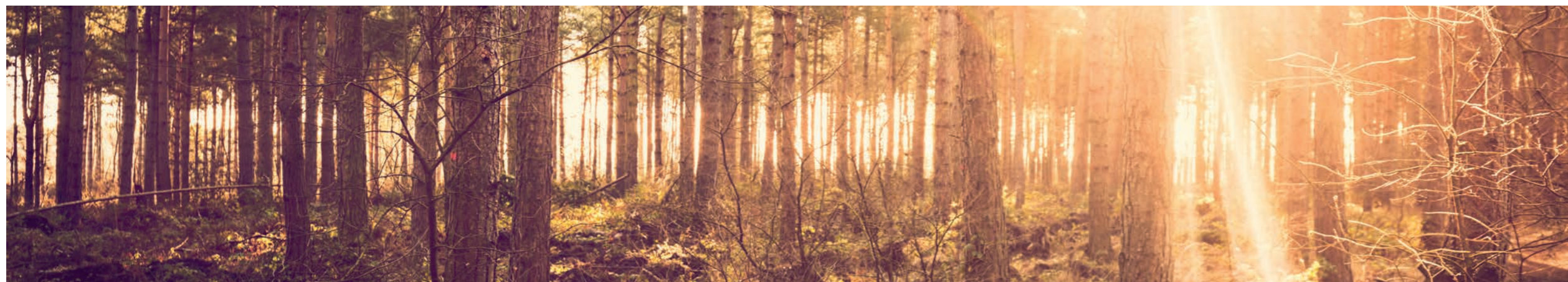
Top and rear heat shields are also available for the Aspect range. The Aspect 5 Slimline and Aspect 8 Slimline have a rear heat shield as standard.

aspect *features*

	ASPECT 7	ASPECT 8	ASPECT 8 SLIMLINE LOW OUTPUT	ASPECT 9	ASPECT 14	ASPECT 80B	ASPECT 4 DOUBLE-SIDED SINGLE DEPTH	ASPECT 4 DOUBLE-SIDED DOUBLE DEPTH
DEFRA approved	PENDING	PENDING	Y	PENDING	PENDING	N	PENDING	PENDING
Nominal Heat Output to room (kW)	4.9	6	4.9	8	9.5	5.2	4.9	9.5
Heat Output Range (kW)	4-7.5	6-11	4-6	7-13	8-15	5.2-8	4-6	6-11
Efficiency on wood (%)	78.1	79.2	79.2	73.6	71.9	71.9	74.3	75
CO emission (at 13% O2) (%)	0.23	0.12	0.24	0.11	0.12	0.23	0.18	0.21
Boiler option	NA	NA	NA	NA	NA	S	NA	NA
Ventilation (mm2)	NA	550	NA	1650	2475	6325	NA	2475
Log lengths (mm)	350	350	350	350	350	350	280	280
Weight (kg)	86.3	110.2	98	100.4	129.9	182.6	85	116
Clearance Distances to combustible materials (mm)*	Rear: 300 Side: 600	Rear: 250 Side: 250	Rear: 200 Side: 300	Rear: 125 Side: 600	Rear: 250 Side: 650	Rear: 175 Side: 200	Front: 900 Side: 700	Front: 900 Side: 700
Clearance Distances to non-combustible materials (mm)	Rear: 50 Side: 50	Rear: 50 Side: 50	Rear: 50 Side: 50	Rear: 50 Side: 50	Rear: 50 Side: 50	Rear: 50 Side: 50	Side: 50	Side: 50

CONTACT YOUR DEALER FOR INSTALLATION ADVICE Y = YES NA = NOT APPLICABLE S = STANDARD

* Distances when installed with a twin walled flue (with the addition of a heat shield)



CONSORT / DERWENT *features*

	CONSORT 4	CONSORT 5 COMPACT	CONSORT 5	CONSORT 5 SLIMLINE	CONSORT 7	CONSORT 9	CONSORT 9 SLIMLINE	CONSORT 15	DERWENT
DEFRA Approved	Y	Y	Y	Y	Y	NA	Y	NA	Y
Nominal Heat Output (kW)	4.7	4.7	4	4.4	5.4	9.1	4.9	11.9	4.8
Heat Output Range (kW)	3-5.5	3.5-5.5	3.5-6	3.5-6	4-7.5	6-11	4.5-8	8-15	3.5-5
Efficiency on wood (%)	72.8	76	78	74.1	75.9	78.9	72.4	78.6	76.8
CO emission [at 13% O ₂] (%)	0.27	0.3	0.44	0.32	0.27	0.35	0.25	0.18	0.43
Double door option	NA	NA	NA	S	S	S	S	S	NA
Single door option	S	S	S	O	O	O	O	O	S
Boiler Option	NA	NA	NA	NA	NA	Wrap-around	NA	Wrap-around	NA
Ventilation (mm ²)	NA	NA	NA	NA	220	2255	NA	4950	NA
Log lengths (mm)	280	330	280	405	380	500	500	500	400
Minimum hearth thickness required (mm)	Freestanding: 12 Recessed: 125	Freestanding: 12 Recessed: 125	Freestanding: 12 Recessed: 125	Freestanding: 12 Recessed: 125	Freestanding: 12 Recessed: 125	Recessed: 125	Freestanding: 12 Recessed: 125	Recessed: 125	Recessed: 125
Weight (kg)	70	99	100	92	101	120	120	145	75
Clearance Distances to combustible materials (mm)	Rear: 650 Side: 400	Rear: 750 Side: 350	Rear: 650 Side: 400	Rear: 650 Side: 400	Rear: 650 Side: 400	Rear: 1100 Side: 700	Rear: 750 Side: 450	Rear: 1100 Side: 650	Rear: 750 Side: 400
Clearance Distances to non-combustible materials (mm)	Rear: 50 Side: 50	Rear: 50 Side: 50	Rear: 50 Side: 50	Rear: 50 Side: 50	Rear: 50 Side: 50	Rear: 50 Side: 50	Rear: 50 Side: 50	Rear: 50 Side: 150	Rear: 50 Side: 50

CONTACT YOUR DEALER FOR INSTALLATION ADVICE Y = YES O = OPTION NA = NOT APPLICABLE S = STANDARD

CONSORT 5 GAS *features*

	CONSORT 5 GAS
Heat input (kW)	4.7
Heat output (kW)	3.7
Efficiency (%)	75-78
Weight (kg)	35kg
Double door option	NA
Single door option	S
Clearance Distances to combustible materials (mm)	Rear: 150 Side: 150
Clearance Distances to non-combustible materials (mm)	Rear: 100 Side: 100
Minimum distance for hearth to extend in front of stove (mm)	50

STOVE	CANOPY LOW	CANOPY HIGH
CONSORT 4	686	NA
CONSORT 5 COMPACT	NA	NA
CONSORT 5	675	770
CONSORT 5 SLIMLINE	700	810
CONSORT 5 GAS	NA	NA
CONSORT 7	704	840
CONSORT 9	765	870
CONSORT 9 SLIMLINE	772	921
CONSORT 15	853	974

CONSORT / DERWENT *options*

CANOPY

Select Consort stoves are available with a low or high canopy option. Contact your dealer for more details.

FLUE GATHER BOX

For rear flue installations with limited space.

FRONT EXTENSION

The front extension enables you to place more fuel into your stove.

FLUE DAMPER

This allows a greater controllability on the flue draw (if necessary).

CONSORT DOUBLE-SIDED *features*

	Consort 4 DS Single Depth	Consort 7 DS Single Depth	Consort 9 DS Single Depth	Consort 15 DS Single Depth	Consort 4 DS Double Depth	Consort 7 DS Double Depth	Consort 9 DS Double Depth	Consort 15 DS Double Depth
DEFRA Approved	NA	NA	NA	NA	NA	NA	NA	NA
Nominal Heat Output (kW)	6	6.5	8.9	11.6	10.6	10.5	11.4	17.8
Heat Output Range (kW)	4-6	5-8	6-11	8-15	6-11	8-13	8-18	14-25
Efficiency on wood (%)	72.7	74.5	74.3	75.7	75.4	75.7	79	71.1
CO emission (at 13% O ₂) (%)	0.46	0.45	0.44	0.22	0.64	0.54	0.36	0.35
Double door option	NA	S	S	S	NA	S	S	S
Single door option	S	O	O	O	S	O	O	O
Boiler Option	NA	NA	NA	NA	NA	NA	NA	NA
Ventilation (mm ²)	225	825	2145	4565	2750	3025	3520	7040
Log lengths (mm)	280	380	500	500	280	380	500	500
Minimum hearth thickness required (mm)	Freestanding: 12 Recessed: 125	Recessed: 125	Recessed: 125	Recessed: 125	Recessed: 125	Recessed: 125	Recessed: 125	Recessed: 125
Weight (kg)	90	145	140	165	126	163	230	270
Clearance Distances to combustible materials (mm)	Side: 150	Side: 900	Side: 500	Side: 700	Side: 900	Side: 900	Side: 400	Side: 500
Clearance Distances to non-combustible materials (mm)	Side: 50	Side: 50	Side: 50	Side: 50	Side: 50	Side: 50	Side: 50	Side: 50

CONTACT YOUR DEALER FOR INSTALLATION ADVICE Y = YES O = OPTION NA = NOT APPLICABLE S = STANDARD

CHEVIN *features*

	CHEVIN 5 INSET	CHEVIN 20B INSET
DEFRA Approved	Y	NA
Nominal Heat Output (kW)	4.9	5.1
Heat Output Range (kW)	3.5-5.5	5-6
Efficiency on wood (%)	77.1	69.9
CO emission (at 13% O ₂) (%)	0.28	0.28
Double door option	NA	O
Single door option	S	S
Boiler Option	NA	S
Ventilation (mm ²)	NA	550
Log lengths (mm)	235	250
Minimum hearth thickness required (mm)	Recessed: 125	Recessed: 125
Weight (kg)	117	128
Clearance Distances to combustible materials (mm)	Top of fire surround 200 Side of fire surround 150	Top of fire surround 275 Side of fire surround 200

CONSORT DS / DD *options*

FRONT EXTENSION

This front extension enables you to place more fuel into your stove.

FLUE DAMPER

This allows a greater controllability on the flue draw (if necessary).

CHEVIN *options*

HANDLE

The Inset stoves are available with an option of black or stainless steel handles with matching fuel retainer bars.

DIRECT AIR

The Chevin 20B Inset is available with an optional Direct Air kit. Please note that this kit is not room sealed.

PARKRAY TRIPLEBURN®

technology

CONSORT STOVES INCORPORATE THE PARKRAY TRIPLEBURN® TECHNOLOGY. THIS MEANS THAT THE STOVES ARE MORE ECO-FRIENDLY AND EFFICIENT THAN CONVENTIONAL STOVES, CONTRIBUTING TO A CLEANER ENVIRONMENT.

HOT AIRWASH

THE AIRWASH ENSURES THE GLASS IS KEPT CLEAN

The airwash is achieved by air being drawn into the top of the stove and heated in the central air chamber before being directed down behind the glass door, creating a screen between the fire and the glass. Smoke or combustion particles do not come into contact with the glass, leaving it clear.

WOODBURNING

OPTIMUM WOODBURNING CONDITIONS

For efficient woodburning the hot 'airwash' is directed down the stove door and into the heart of the fire. This ensures complete combustion which helps to keep the chimney clean. All stoves need a deep bed of ash to build up the optimum conditions for burning wood.

SOLID FUEL

OPTIMUM SOLID FUEL BURNING CONDITIONS

When burning smokeless fuel and for easy lighting of the Consort stoves the grate can be changed to the open position by a single turn of the handle. Air can then be directed under the open grate and into the heart of the fire – the optimum conditions for burning solid fuel. The Aspect range with a static grate is able to burn wood and solid fuel with a single easy air control at the end.

FAQs

HOW MUCH SPACE WILL MY STOVE NEED?

With all our freestanding units it is safe to install with a clearance of 2" (50mm) either side and above the stove to non-combustible material. However for optimum performance and heat output we recommend clearance of 6" (150mm). Behind the stove there should be a minimum clearance of 2" (50mm) however we recommend 4" (100mm) to enable access to the Tertiary Air inlet.

For all our units the hearth should extend 300mm in front of the appliance (from the door opening).

WHAT IS A NOMINAL HEAT OUTPUT?

The nominal output is the output achieved under specific test conditions by the independent test laboratory. The stoves tend to be operated with the air controls set at less than maximum and with relatively modest fuel loads. We recognise that end users are unlikely to operate the stoves in this way and therefore we carry out internal testing to suggest a reasonable Heat Output Range that the customer should achieve without over firing the unit.



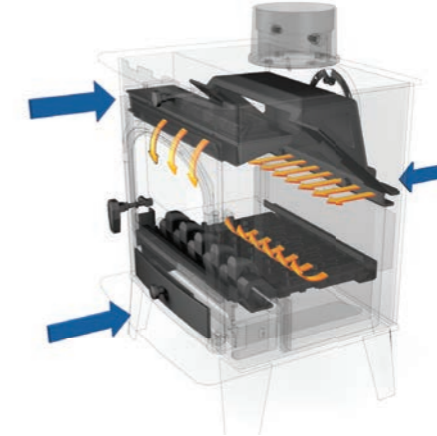
PARKRAY TRIPLEBURN® *technology*



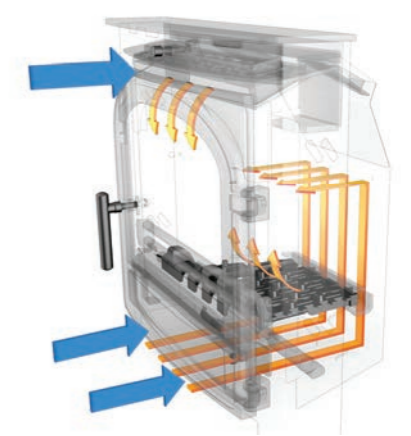
ASPECT AIRFLOW



CONSORT / DERWENT AIRFLOW



INSET AIRFLOW



TRIPLEBURN® TECHNOLOGY

The three streams of air cause an incredibly efficient burning of the fuel, which results in an increased heat output, less smoke and a cleaner environment. See diagrams above.

EXCEPTIONALLY EFFICIENT

Due to the Parkray Tripleburn® technology, all stoves in the Parkray range burn exceptionally efficiently and cleanly.

FROM WOOD TO MULTIFUEL WITH A SINGLE MOVEMENT

The integral grate in the Consort range can be changed from wood setting to multifuel, with the cold-handled riddling tool.

DUST FREE, SAFE AND EASY RIDDLING

By simply moving the riddling tool backwards and forwards, the stove riddles safely with a minimum of effort. This is undertaken with the doors closed and is completely dust free. Only available on the Consort range.

INTERCHANGEABLE FLUE OUTLETS

All the single-sided free standing stoves in the Parkray range can be flued from either the top or the rear of the stove.

EASY ACCESS FOR CHIMNEY SWEEPING

The stoves feature a removable throat plate, giving full and easy access for sweeping the chimney.

INTERNAL LINING SYSTEM

The internal lining system maximises the firebox temperature, ensuring complete combustion.

COLD-HANDLED RIDDLING TOOL

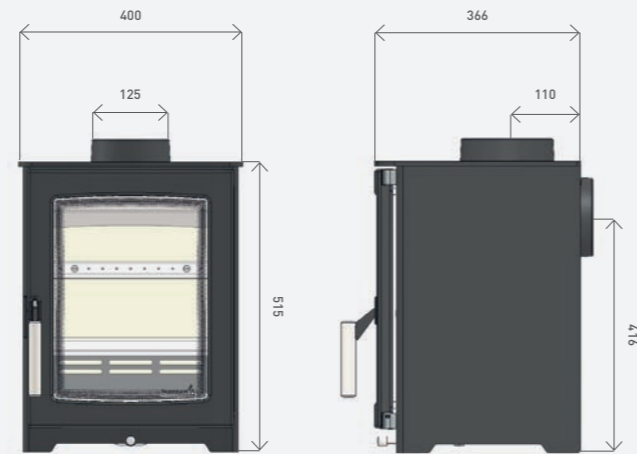
The cold-handled riddling tool can be used for opening and closing the doors, riddling the grate, grate adjustment and easy removal of the ash pan. Only available on the Consort range.

THERMOSTAT

An optional thermostat is available on central heating models with wrap-around boilers.

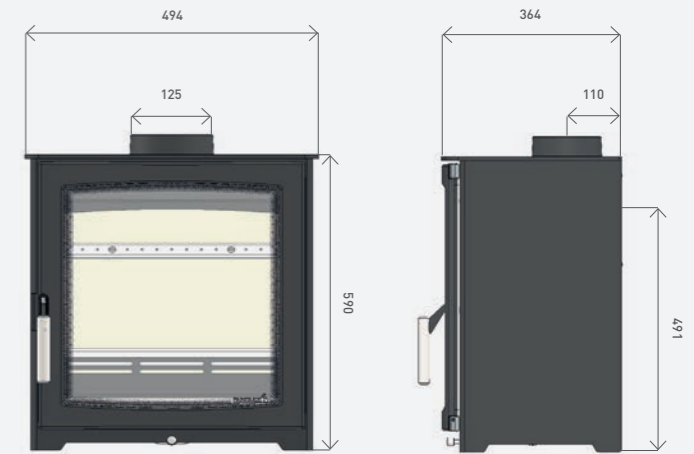
ASPECT 4
COMPACT

4



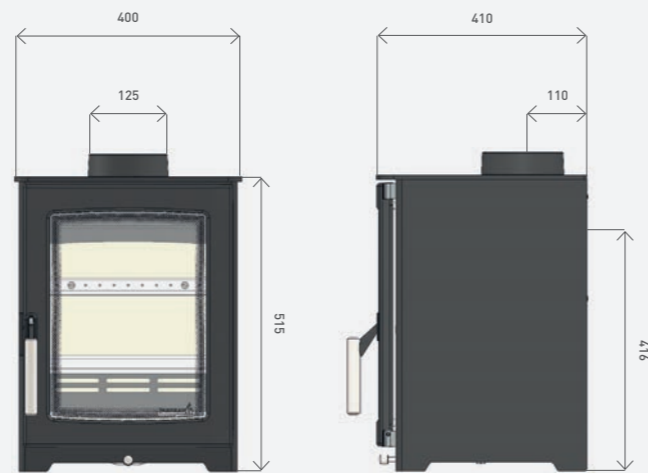
ASPECT 5

5



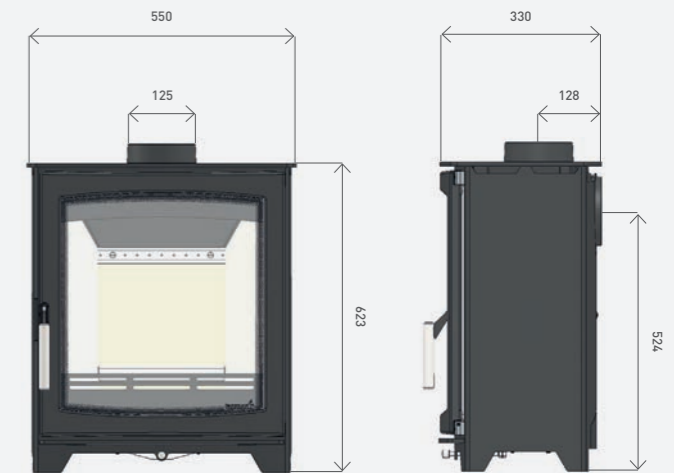
ASPECT 4

4



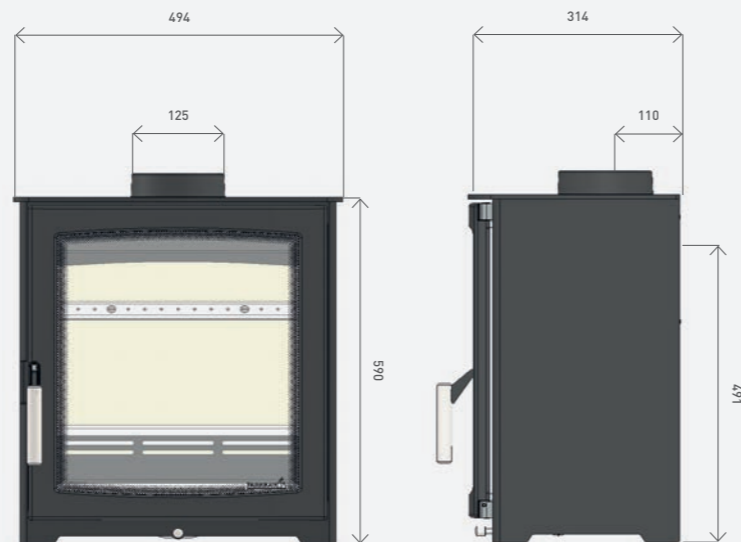
ASPECT 5
SLIMLINE
LOW OUTPUT

5



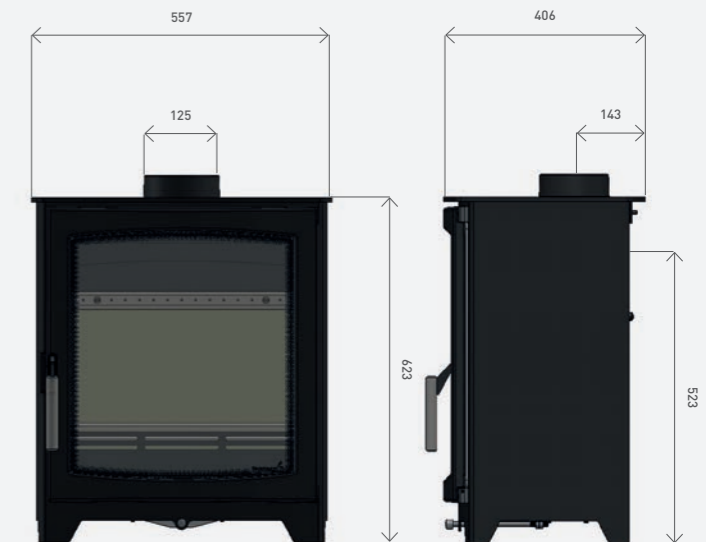
ASPECT 5
COMPACT

5



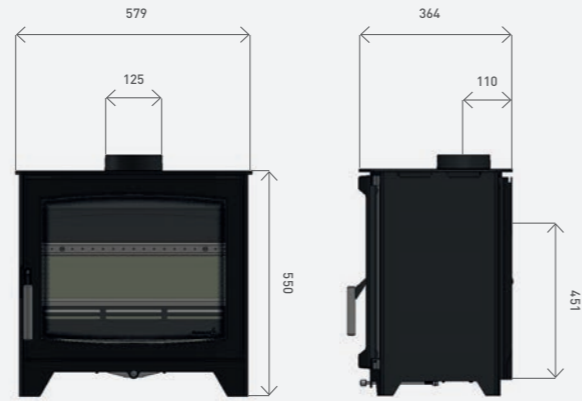
ASPECT 6

6



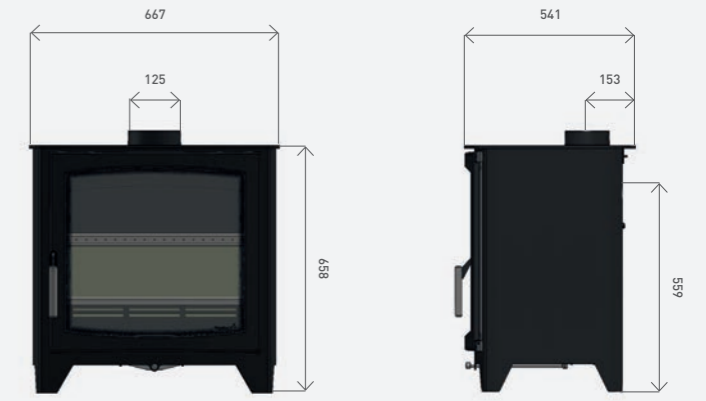
ASPECT 7

7



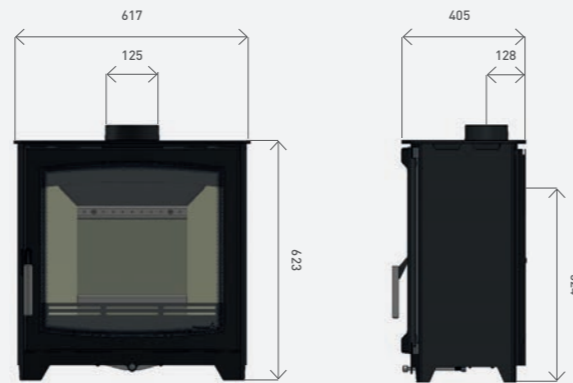
ASPECT 14

14



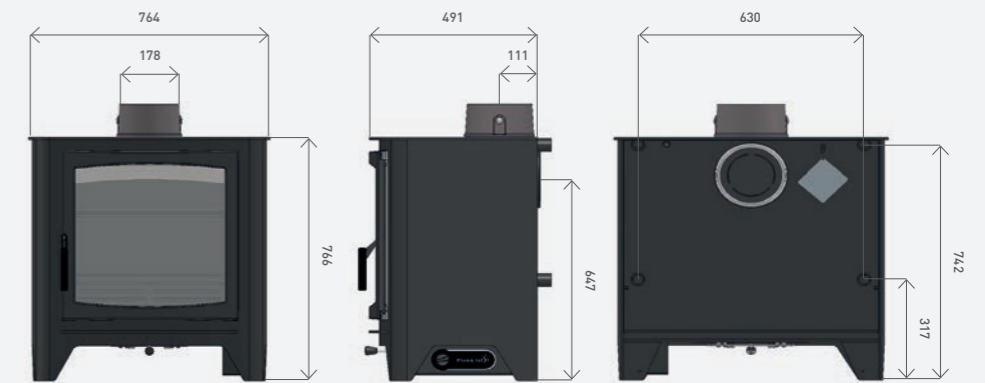
ASPECT 8

8



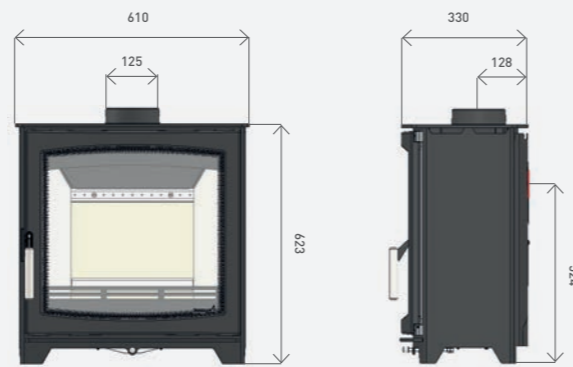
ASPECT 80B

80



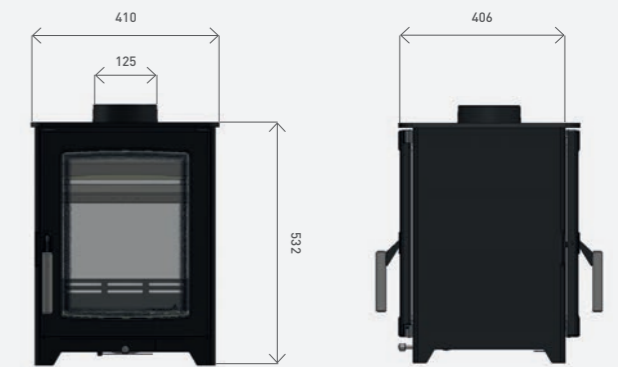
ASPECT 8
SLIMLINE
LOW OUTPUT

8



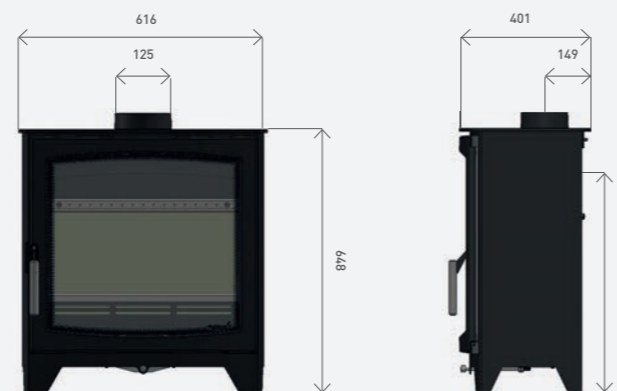
ASPECT 4
DOUBLE-SIDED
SINGLE DEPTH

4



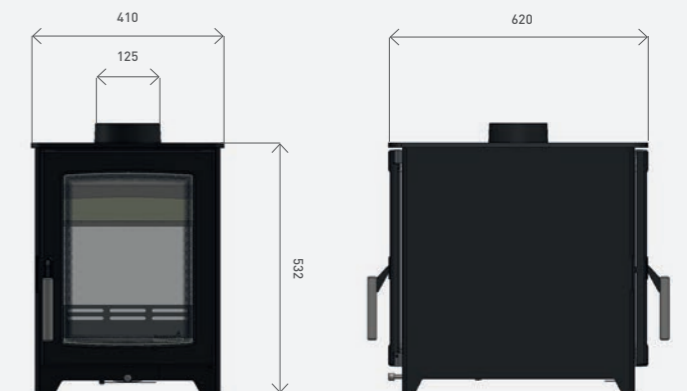
ASPECT 9

9



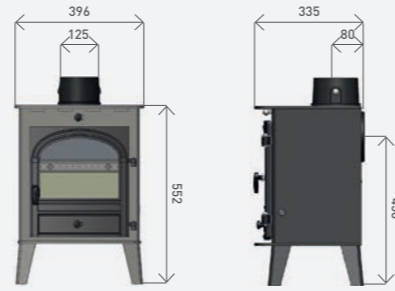
ASPECT 4
DOUBLE-SIDED
DOUBLE DEPTH

4



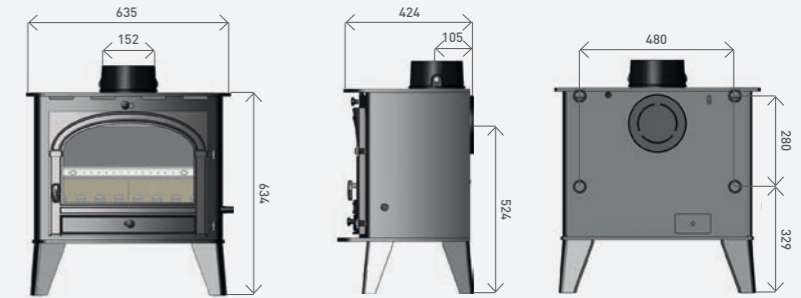
CONSORT 4

4



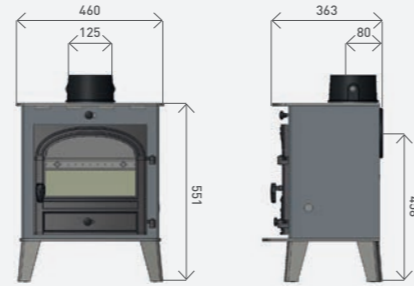
CONSORT 9

9



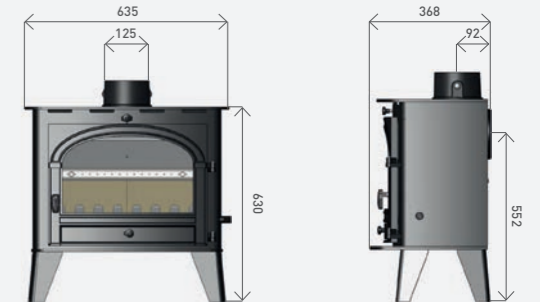
CONSORT 5 COMPACT

5



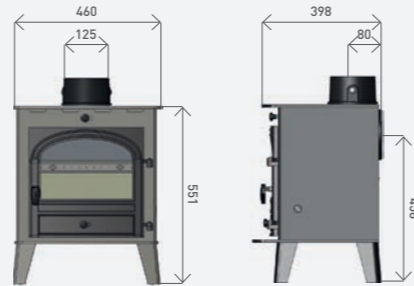
CONSORT 9 SLIMLINE

9



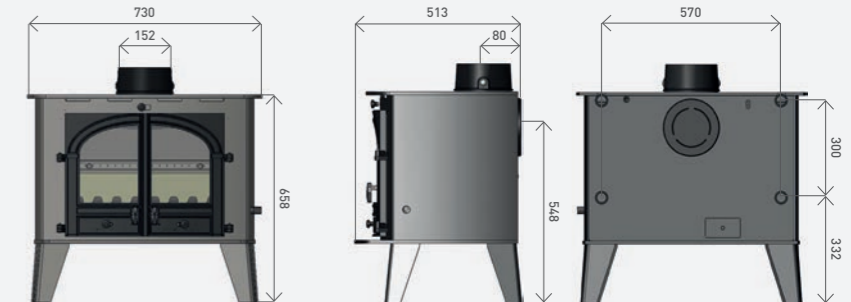
CONSORT 5

5



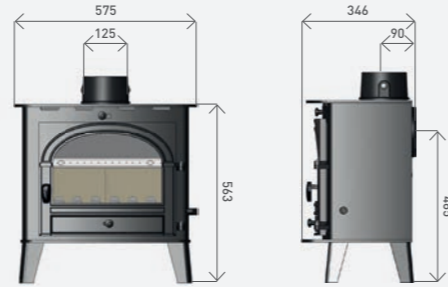
CONSORT 15

15



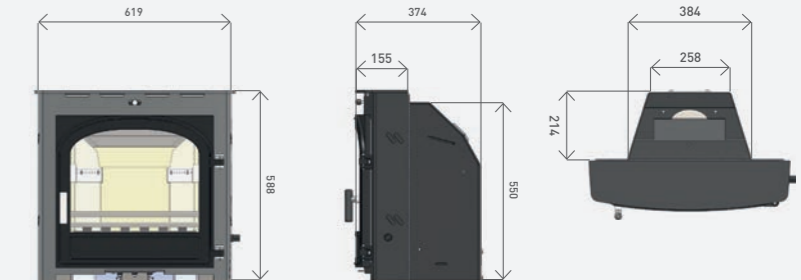
CONSORT 5 SLIMLINE

5



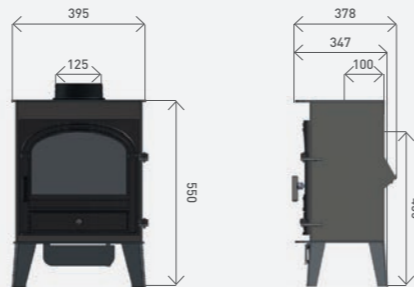
CHEVIN 5 INSET

5



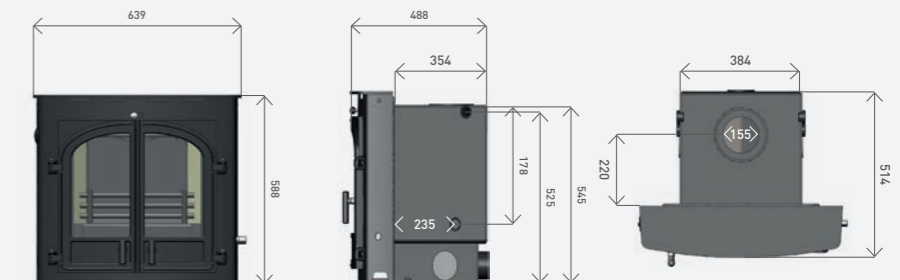
CONSORT 5 GAS

5



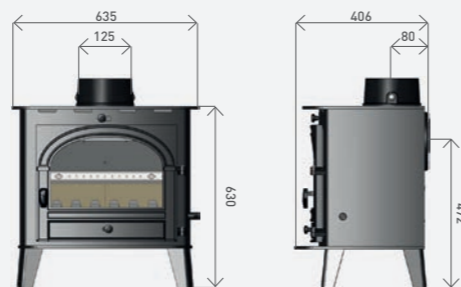
CHEVIN 20B INSET

20



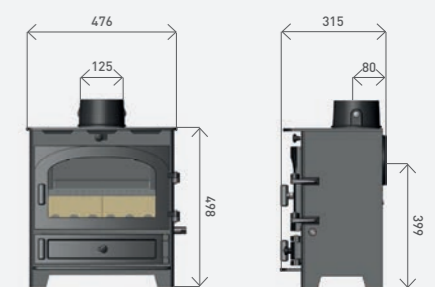
CONSORT 7

7



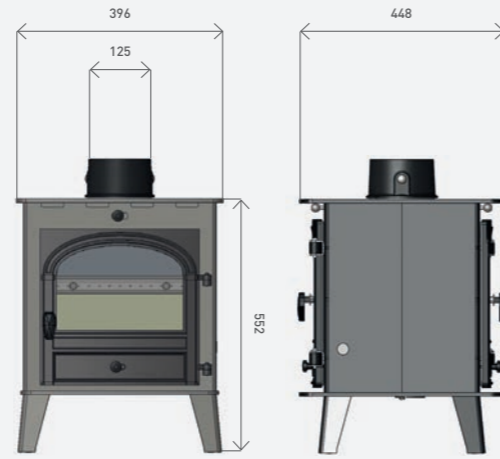
DERWENT 5

5



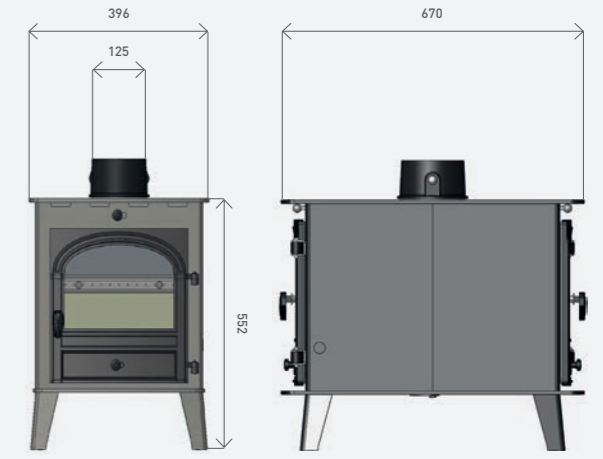
CONSORT 4
DOUBLE-SIDED
SINGLE DEPTH

4



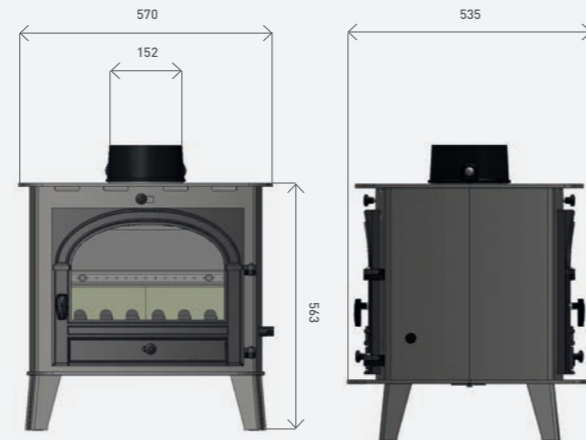
CONSORT 4
DOUBLE-SIDED
DOUBLE DEPTH

4



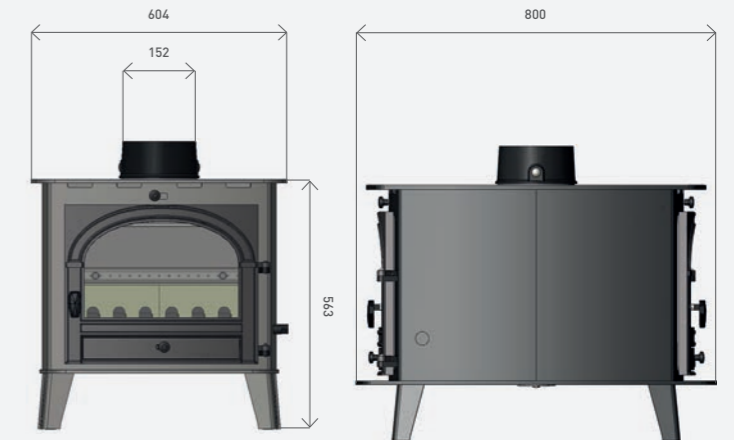
CONSORT 7
DOUBLE-SIDED
SINGLE DEPTH

7



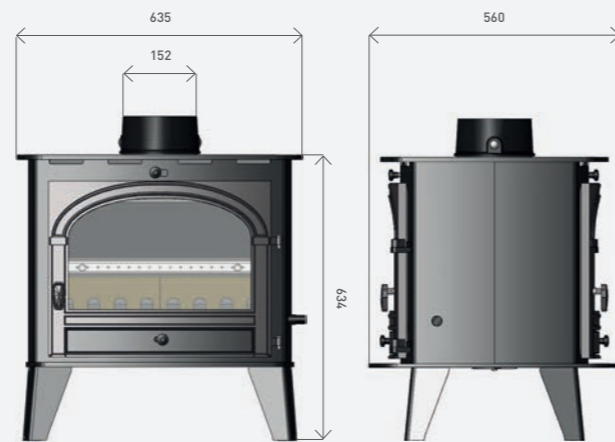
CONSORT 7
DOUBLE-SIDED
DOUBLE DEPTH

7



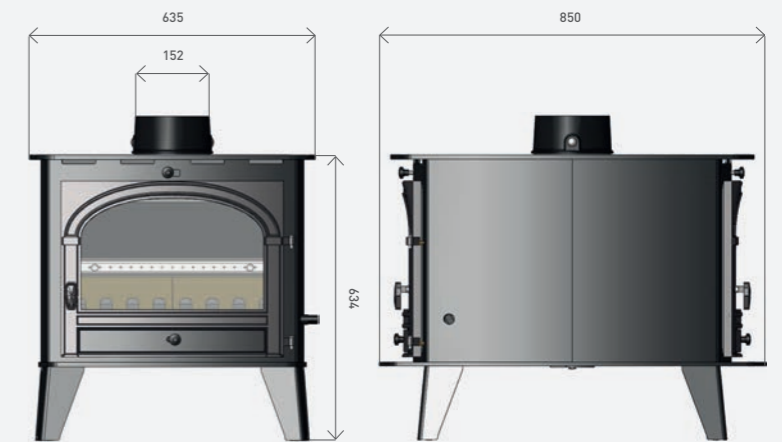
CONSORT 9
DOUBLE-SIDED
SINGLE DEPTH

9



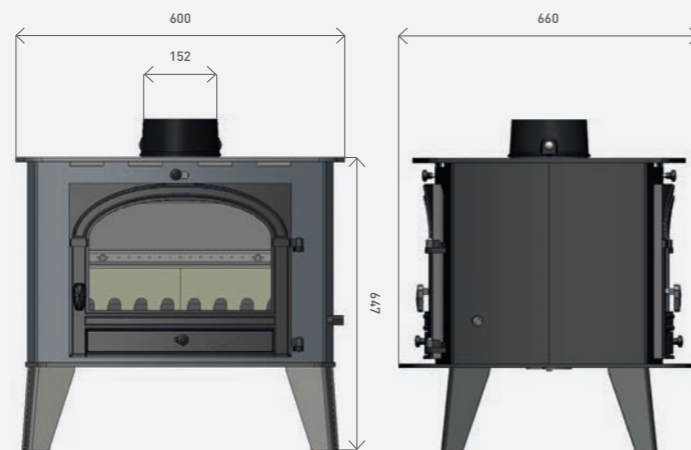
CONSORT 9
DOUBLE-SIDED
DOUBLE DEPTH

9



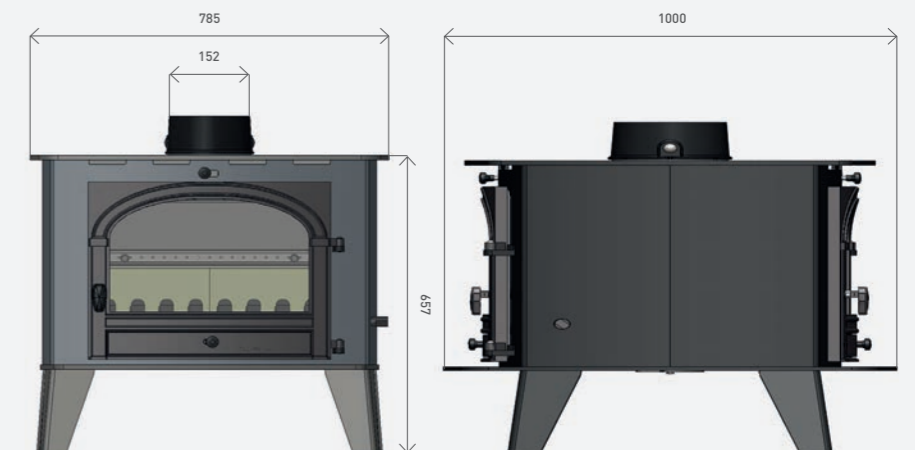
CONSORT 15
DOUBLE-SIDED
SINGLE DEPTH

15



CONSORT 15
DOUBLE-SIDED
DOUBLE DEPTH

15





The Stove House
Bepton Road
Midhurst
West Sussex
GU29 9LU
01730 810931
info@thestovehouseltd.co.uk

8 EMPEROR WAY EXETER DEVON EX1 3QS

INFO@HUNTERSTOVES.CO.UK WWW.HUNTERSTOVES.CO.UK

