



SAFETY and OPERATING INSTRUCTIONS
For use with all imaginfires Bioethanol fireplaces
For decorative and domestic use only



PLEASE READ FULLY BEFORE USING THE FIREPLACE FOR THE FIRST TIME

These Safety and Operating Instructions are part of this Bioethanol Fireplace. **Please keep in a safe place for future reference.** Any fireplace featuring naked flames or using flammable liquids has a potential risk of burns or injury. These fireplaces become hot with use, especially the external surfaces. They are safe when the user exercises common sense and reads this manual. Under no circumstances should these products be used unless these Safety and Operating instructions have been read first. Ensure that children, other persons or animals are adequately supervised during the use of this product.

This Bioethanol Fireplace has been tested to **European Standard EN 16647:2015** and **British Standard BS 16647:2015** by a recognized independent testing agency. If used in conjunction with this user manual this imaginfires Bioethanol Fireplace is compliant with these standards.

Please note, you have 14 days from delivery of your fireplace to report any defects or damage. Contact us at support@imaginfires.com or call us on 01443 203994 if you have any problems. For the latest safety advice on using our Bioethanol Fires and a range of frequently asked questions please refer to www.imaginfires.co.uk

WARNINGS BEFORE USING YOUR BIOETHANOL FIREPLACE



The following 2 important safety symbols are found on the steel burner box and mean:

DO NOT FILL WHEN WARM OR IN OPERATION



- Restrict the use of this appliance to persons who read, understand and follow the warnings and instructions in this manual as well as any markings on the fireplace.
- By purchasing this product, you agree to exercise common sense at all times when operating the fireplace.
- For decorative and domestic use only.
- Ensure that children, other persons & animals are adequately supervised during the use of this product.
- Never put petrol inside or near the biofire. This is extremely dangerous.
- Only use in adequately ventilated rooms with a minimum volume of 40 cubic metres. (Note : for the TWIN MARLOW the min volume is 50 cubic metres)
- Never leave a lit fire unattended.

- The fireplace is meant for use as a secondary heat source and is not suitable for cooking food or boiling water.
- Do not use as a multi-burner or open fire.
- Do not use any other liquid or solid combustible materials other than bioethanol fuel.
- Always extinguish the fire fully before going to sleep.
- Before refilling the steel fuel box with the bioethanol fuel, always ensure the fuel box has returned to room temperature (this takes approximately 30 minutes from extinguishing the fire).
- Bioethanol combustion uses oxygen from the air inside the room and releases carbon dioxide (non-toxic) and water vapors. The room should be well ventilated with enough oxygen and fresh air being supplied (e.g. partly open window/air vents).
- Do not block any existing air vents in the room.
- Do not position the fireplace where any draughts could make the flame in the fireplace behave erratically.
- This bio fire and stainless steel fuel box should always be placed on a stable, flat horizontal surface and away from any combustible materials.
- These fireplaces become hot with use, especially external surfaces.
- Always stay at least 1 metre from the bioethanol fireplace when lit.
- Not suitable for continuous operation.
- Keep children and pets a safe distance from the fireplace.
- We recommend that you use a "Fire screen" to keep children and pets away from the fireplace.
- Do not allow your hair or clothes to get near the lit fireplace.
- Do not blow into or fan the fire.
- Do not place paper, cardboard, fabric, clothing or any other flammable materials on or around the fireplace.
- Do not smoke while lighting or anywhere near the fireplace.
- Do not operate if under the influence of alcohol, drugs or prescribed medication.
- The stainless steel fuel box supplied must be replaced if there are any signs of cracks, corrosion or misshaping. Please contact us at support@imaginefires.com to discuss a replacement.
- Always observe local legislation.
- Do not use near flammable gas.
- Only use parts supplied or approved by the supplier of your bioethanol fireplace.
- Do not put any ornaments or flammable items on top of the fireplace at any time.
- Never cover or obstruct any air slots or ventilation slots.
- If your fireplace includes glass, always have it in place when the fire is lit.
- If your fireplace has a door, ensure that it remains closed during the operation of the fireplace.
- Never stand on a chair or stool etc to pour your bioethanol fuel in the fuel box.
- Never change the construction of the fireplace.
- When the fuel is about to run out, you may hear a sound similar to a puff. This is the fuel burning out at the end of its time and is quite safe.
- Take care not to damage, knock or scratch the safety glass. Doing so may impair on its performance or risk the glass shattering.
- If you need to relocate your fireplace, always ensure it is fully cooled before moving.
- As there is no smoke given off by our bioethanol fires, you don't need to worry about smoke damage to your TV. Nevertheless, we recommend that you only place a TV above a bio ethanol fireplace that has a closed top, such as the MARLOW. We recommend a minimum of 15cm between the top of the fireplace and the bottom of the TV.

POSITIONING THE ARKLE, ANYA & WINDSOR BIOETHANOL FIREPLACES

- The ARKLE, ANYA and WINDSOR should only be used in an existing fireplace or chimney breast and are not suitable as freestanding models in a room. The manufacturer cannot be held responsible for any damages resulting out of incorrect use of the product.



- This section must be read in conjunction with the next section POSITIONING YOUR BIOETHANOL FIREPLACE

POSITIONING YOUR BIOETHANOL FIREPLACE

- Never position the fire in a location where there is a risk of wind blowing the fire into flammable items or materials.
- Only install in locations that are protected against cross-aeration/air draughts.
- Please be sure the wall/floor you are placing this appliance on can bear its weight.
- Do not use the fireplace near curtains, fabrics, furniture or other flammable materials.
- Ensure that all flammable items are as per the minimum distances below from the fireplace and ensure there is a fire extinguisher nearby. The fire extinguisher should be of the alcohol resistant foam, BC powder or Carbon dioxide type. Always read the manufacturer's instructions before using the extinguisher.

Minimum distances to flammable materials are :

Top – 600mm

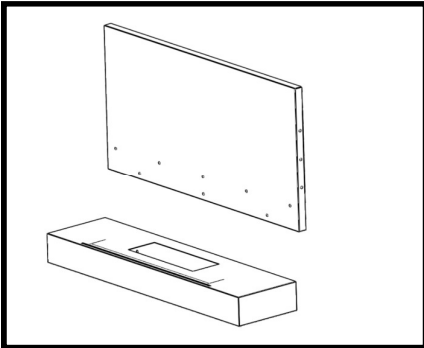
Side – 450mm

Front – 1000mm

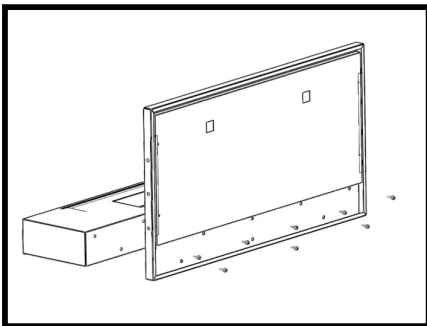
- Do not use the fireplace in caravans, boats, and vehicles or in unventilated rooms.
- Only operate more than one bioethanol fireplace in the same room if the total power output from all fireplaces is lower than 3kw/h (see PRODUCT SPECIFICATION table at end of these Safety & Operating instructions)
- Only use parts supplied or approved by the supplier of your bioethanol fireplace.

ASSEMBLING YOUR ALDEN BIOETHANOL FIREPLACE

This section is **ONLY** for assembling the ALDEN Bioethanol fireplace. For all other products please refer to the “ASSEMBLING OTHER BIOETHANOL FIREPLACES” section



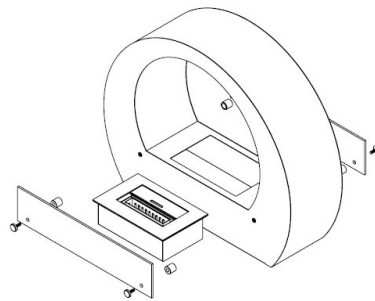
Firstly, you will need the backing plate and the base unit as shown. Remove the fuel box and put aside for later use.



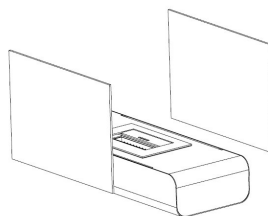
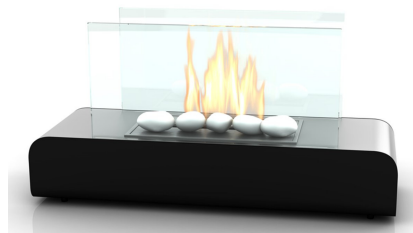
Using the 8 small screws provided, connect the backing plate to the base unit via the 8 small holes. Note : It is easier if each screw is only partially tightened at first. Only fully tighten when all 8 screws are positioned in the 8 holes in the base unit.

Now you can fit the brackets to the wall. See section “FITTING YOUR ALDEN . . . FIREPLACE”

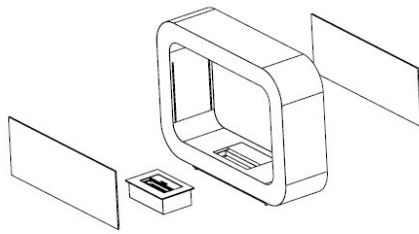
ASSEMBLING OTHER BIOETHANOL FIREPLACES



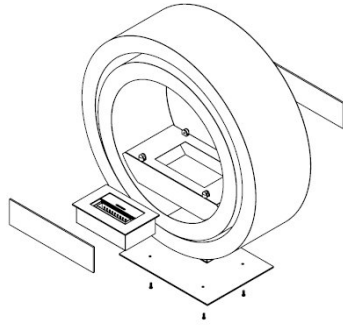
BOSTON WHITE (IMBF13W)
BOSTON BLACK (IMBF13B)



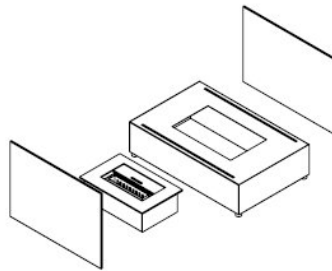
DALTON WHITE (IMBF04W)
DALTON BLACK (IMBF04B)



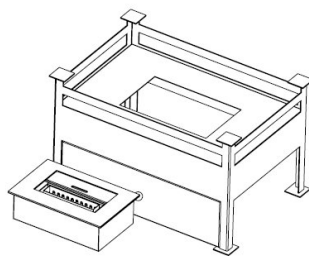
OBLOSK WHITE (IMBF05W)
OBLOSK BLACK (IMBF05B)



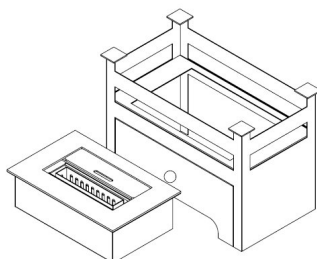
GLOBUS WHITE (IMBF11W)
GLOBUS BLACK (IMBF11B)



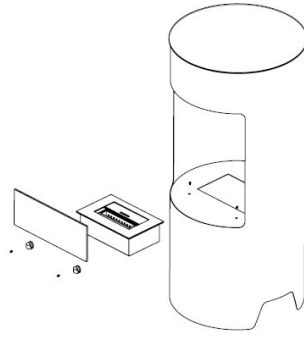
ETON WHITE (IMBF01W)
ETON BLACK (IMBF01B)



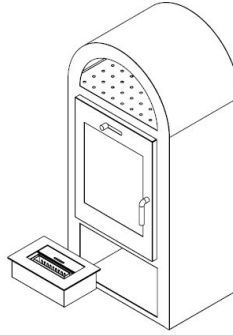
ARKLE (IMBF37)



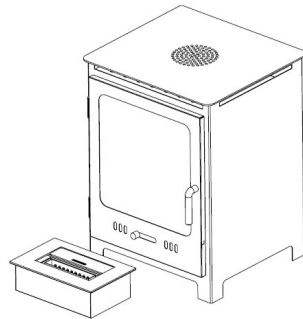
ANYA (IMBF38)



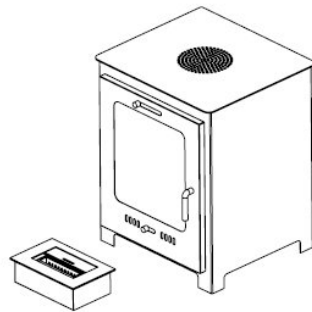
STOW WHITE (IMBF14W)
STOW BLACK (IMBF14B)



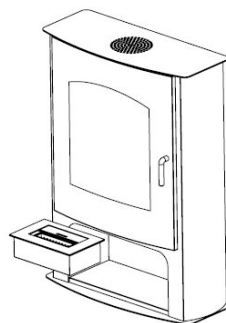
SALCOMBE (IMBF107)



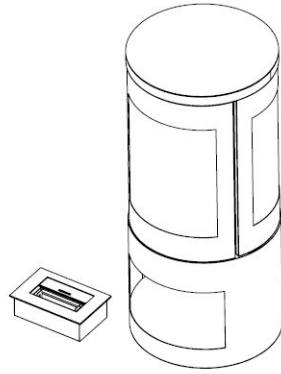
BREDON (IMBF40B)



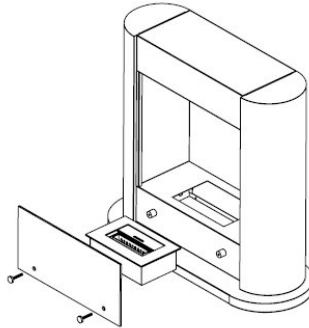
MALVERN BLACK (IMBF67B)
MALVERN CREAM (IMBF67C)



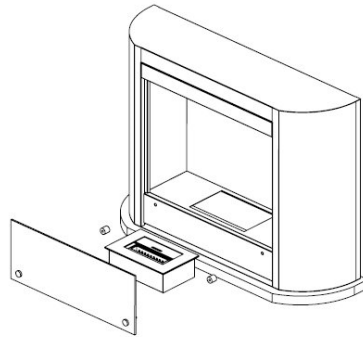
PEMBREY (IMBF103B)
PEMBREY (IMBF103W)



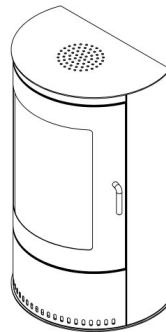
HOWARTH WHITE (IMBF106W)
HOWARTH BLACK (IMBF106B)



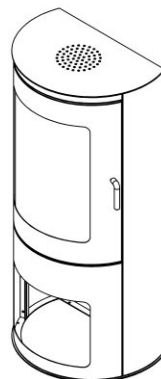
BIRKDALE (IMBF100)



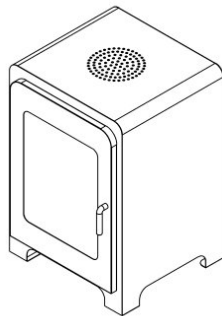
CHISWICK (IMBF101)



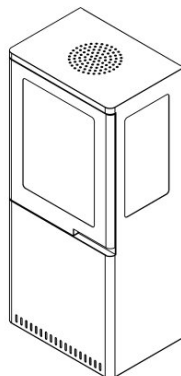
HAMPTON (IMBF113B)
HAMPTON (IMBF113W)



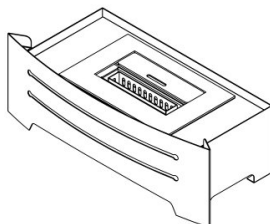
BURFORD (IMBF114B)
BURFORD (IMBF114W)



MORITZ (IMBF111)



SANFORD (IMBF115)

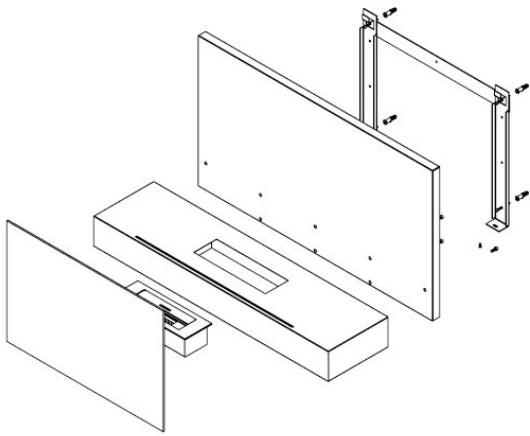


WINDSOR (IMBF112)

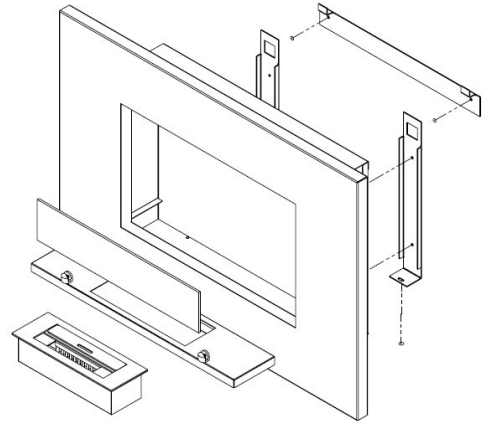
FITTING YOUR ALDEN, ARLINGTON, FUEGO, HENLEY & MARLOW FIREPLACE

This section is ONLY for fitting the ALDEN, ARLINGTON, FUEGO, HENLEY and MARLOW Bioethanol fireplaces.

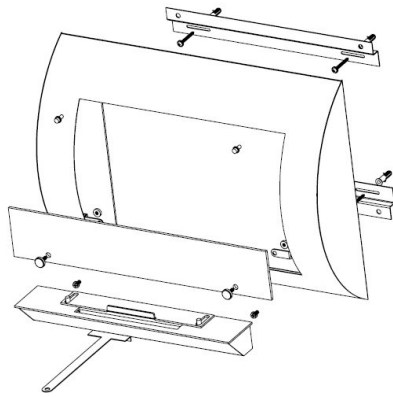
- We recommend two persons are used to fit these fireplaces.
- Please ensure that the wall you are placing this appliance on can bear its weight.
- These instructions are for guidance only as the type of wall and required fixing can vary. Seek advice from a local builder or DIY merchant if you are unsure.
- Ensure that there are no pipes or cables in the wall that you will be drilling into.
- Please check your fireplace for minor scratches or dents before fitting it to the wall. We can not be held liable for any scratches or dents once fitted to the wall.
- If you need additional help, please contact us at support@imaginefires.com



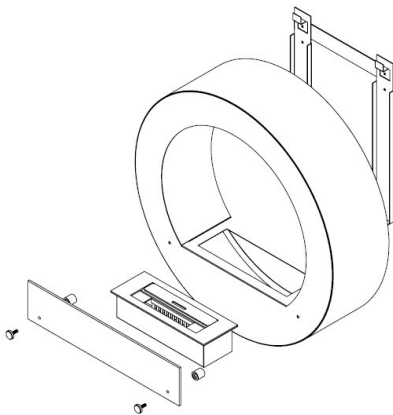
ALDEN WHITE (IMBF03W)
ALDEN BLACK (IMBF03B)



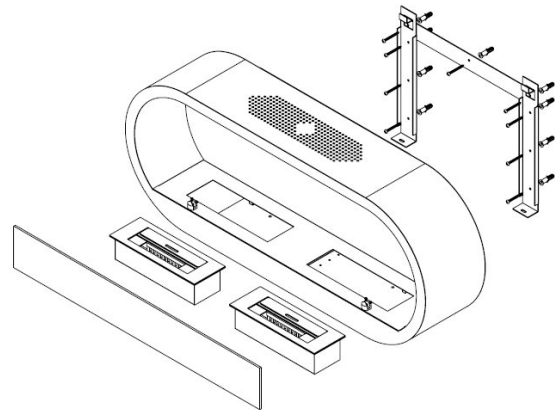
ARLINGTON WHITE (IMBF35W)
ARLINGTON BLACK (IMBF35B)



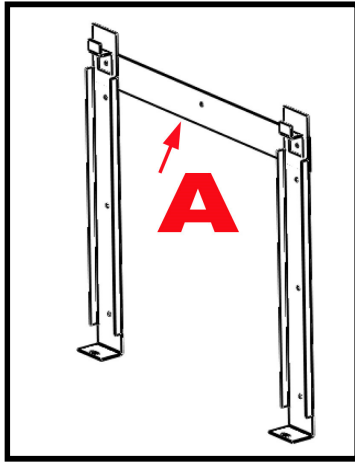
FUEGO WHITE (IMBF12W)
FUEGO BLACK (IMBF12B)



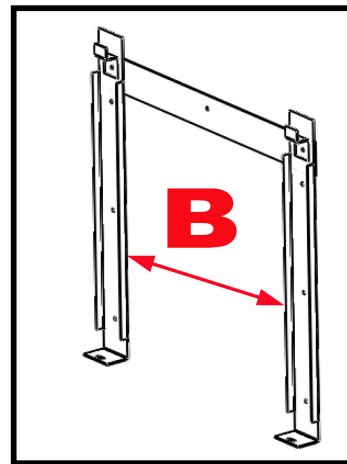
HENLEY WHITE (IMBF20W)
HENLEY BLACK (IMBF20B)



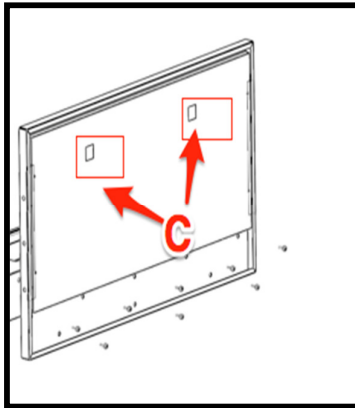
MARLOW WHITE TWIN (IMBF201W)
MARLOW WHITE (IMBF21W)
MARLOW BLACK (IMBF21B)



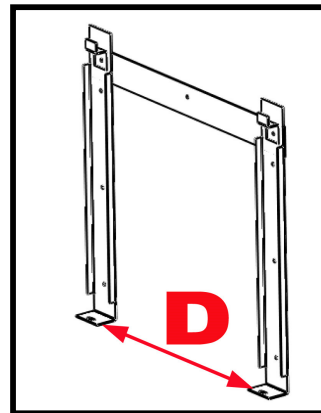
Affix the bar indicated 'A' to the wall with the screws supplied, ensure that it is firmly fixed and horizontal.



Hang the 2 brackets indicated by 'B' onto the bracket 'A'. Before fixing them to the wall hold the fire in place and adjust them so they fit the bottom of the fire. Then affix to wall by using the screws supplied. Ensure the brackets are secure.



Align the 2 holes on the rear of the fireplace indicated by 'C' to the 2 hooks on bracket 'A'



Screw the rear of fireplace with supplied screws into the 2 protruding 'feet' of the brackets, (Indicated by 'D'). Check that your fireplace is now securely affixed and cannot be lifted away from brackets or wall without undoing screws.

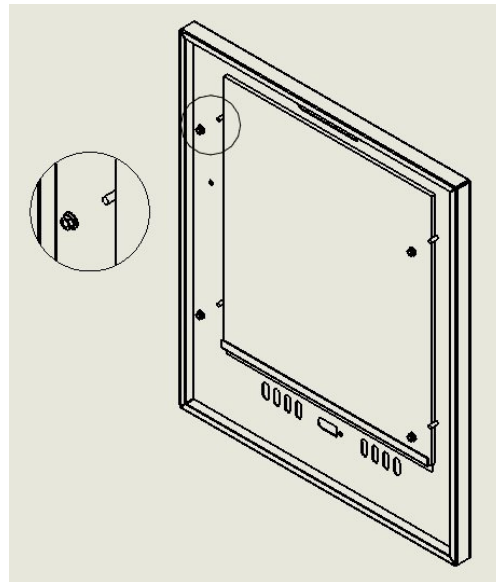
INSTRUCTIONS FOR BREDON, BURFORD, HAMPTON, HOWARTH, MALVERN, MORITZ, PEMBREY, SALCOMBE & SANFORD

This section is specific to the BREDON, BURFORD, HAMPTON, HOWARTH, MALVERN, MORITZ, PEMBREY, SALCOMBE & SANFORD models only but must be read in conjunction with the rest of the SAFETY AND OPERATING INSTRUCTIONS.

- ALWAYS use the supplied tool and glove when operating these bioethanol fireplaces. Failure to do so is dangerous as the external surfaces of this range of fireplaces become much hotter than other models as the flame is fully enclosed.



- If you are positioning these fireplaces within a chimney breast or other enclosed space, please allow a minimum clearance around the body of the fireplace of 100mm.
- Never fill biofuel past the “MAX” steel label inside the bioethanol fireplace
- The fire will only ignite if the steel box has at least 500ml of bioethanol fuel. Using less than 1 litre of fuel on first use may not allow the liquid to ignite properly.
- Always close the door of the fireplace immediately after it has been lit.
- The door should remain closed during the operation of the fire.
- Do not leave the closing tool on top of the fire as it will get hot to the touch. PLEASE NOTE : The vents on the front of the fireplace are for decorative purposes only and are not adjustable.
- For glass fitting instructions see below. Please note that image shown may be different to the appearance of your Bioethanol fire, but the general principles of fixing are the same.
- Slot the glass onto the small shelf, (or insert screws at bottom of opening) then insert the screws around the glass as indicated below and tighten so that they hold the glass in place. ONLY TIGHTEN THE SCREWS TO HOLD THE GLASS IN PLACE BUT LEAVE ROOM FOR THE GLASS TO EXPAND.



NO SPILL FUEL BOX WITH FIBRAX TECHNOLOGY

All of our freestanding fireplaces now include our new **NO SPILL FUEL BOX** and are fully compliant with the latest industry standard BS EN 16647. These fuel boxes are double lined, fully welded with an integrated flame control shutter. Inside the fuel box, our **FIBRAX** technology ensures that all liquid fuel is fully absorbed.



SAFE USE OF BIOETHANOL FUEL

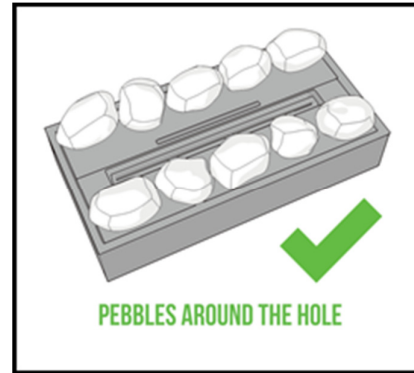
- Always follow the instructions shown on the packaging of bioethanol fuel and store out of reach of children and animals.
- Only bioethanol fuel specifically produced for bioethanol fireplaces is suitable for this appliance.
- It is extremely dangerous to use bioethanol car fuel, other liquid or gel fuels (gasoline, diesel, petrol, lighter fluids, solvents, thinners, etc.) or solid fuels (paper, cardboard, wood, charcoal, lighting cubes, etc.) or a mix of fuels.
- Never use any accelerants in or near your bioethanol fireplace. This is extremely dangerous.
- PLEASE NOTE : The fuel boxes are designed to quickly absorb up to 1 litre of fuel, preventing spillage if the fireplace is accidentally knocked.
- Never pour more than 1 litre of fuel into the fuel box at any time and never fill past the “MAX” label at the bottom of the box. Using less than 1 litre of fuel on first use may not allow the liquid to ignite properly.
- Do not leave any bottles of bioethanol fuel or lighters on or near the fireplace shelf.
- Do not store bioethanol fuel near the appliance. Store it only in a location that will remain cool, dry and fire safe. Always ensure the container is tightly sealed.
- Take care not to spill any fuel on or near the appliance. Any spilled fuel must be cleaned before lighting.
- Before lighting, always check no bioethanol fuel has spilt into the outer tray of the fuel box (not applicable to the FUEGO model), and remove any spillage before lighting.
- Always remove any spilled bioethanol fuel from any pebbles, logs, or other decorative items on your appliance.
- Bioethanol burns best when at room temperature. In temperatures below 10 degrees Celsius the liquid will not ignite easily and it will take more time for an attractive flame to develop.
- During each attempt to light the fire, be sure that it hasn't already ignited and that the flame is just not visible yet. This is particularly important when using outdoors, as it can often be harder to see the initial flame in daylight.
- Keep the fuel box closing plate shut for approximately 15 minutes before refilling.
- In case of injury or swallowing bioethanol liquid, immediately call a doctor or hospital for treatment and show them the label or packaging of the bioethanol fuel bottle.
- Remember that any fuel left inside the bottle remains flammable! Always keep it away from any fire source, and always out of reach of children and animals. Never pour Biofuel down drains. Follow municipal bylaws for the appropriate storage and disposal of bioethanol fuel.
- You can buy fuel from our website (www.imaginfires.co.uk). We strongly recommend that you only use Bioethanol liquid fuel with at least 95% alcohol content.

WARNING ON USE OF DECORATIVE PEBBLES OR LOGS

If you wish to use any decorative ceramic pebbles or Logs with your Bioethanol fireplace (available for an additional charge from the www.imaginfires.co.uk website), please note the following :



The decorative pebbles or other similar products should never be used to cover the opening of the burner box.



Only position the decorative items Around the opening of the steel burner box as indicated

OPERATING YOUR BIOETHANOL FIREPLACE

Please note that images shown may be different to the appearance of your Bioethanol fire, but the general principles of operating are the same.

Once you have assembled your fireplace (if required) you are now only a few minutes away from enjoying the real flame.

- Ensure that the imaginfires “LOGO” on the stainless steel fuel box is facing the front of the fireplace. See Below

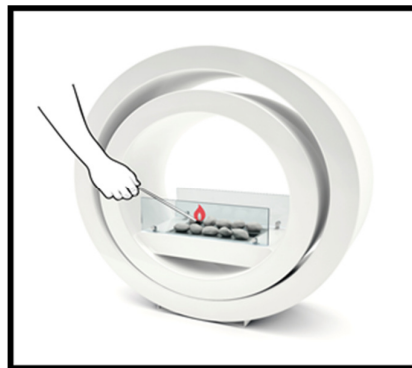


- Ensure that there is no debris or packaging material, such as polystyrene, in the fuel box opening before use. These can cause some small amount of smoke if not removed. If you have a vacuum cleaner with a nozzle, we suggest you use this.
- Only use bioethanol fuel. Use of other fuel or accelerants is extremely dangerous.
- Only pour bioethanol fuel into the steel fuel box when the fire is fully installed.
- Ensure that both inner fuel box (and, if applicable to your model, the outer chamber) is empty, clean, at room temperature and dry before filling with bioethanol fuel.
- Regularly check the inner steel fuel box and the outer chamber (if applicable to your model) for any signs of misshaping or leakage. Contact support@imaginfires.com should you need a replacement.

- Ensure that any fittings used are not rusty, and suitable for supporting the fireplace. Fill the steel burner box with bioethanol fuel. As shown below. It is recommended to use a funnel or squeezable bottle (such as the fuel bottles available on our website www.imaginfires.co.uk)



- Never pour more than 1 litre of fuel into the fuel box at any time and never fill past the “MAX” label at the bottom of the box. Using less than 1 litre of fuel on first use may not allow the liquid to ignite properly.
- It is recommended that a period of 1 minute elapses before lighting the fuel. This allows the fuel to be absorbed by the ceramic fibers.
- Fully remove all spilt fuel with an absorbent cloth and clean area of spillage to prevent ignition outside the burner reservoir.
- Ignite the fuel in the fuel box using a fire lighter or extended match held at arm’s length. As shown below.



- During each attempt to light the fire, be sure that it hasn’t already ignited and that the flame is just not visible yet. This is particularly important when using outdoors, as it can often be harder to see a flame in daylight.
- Take care not to burn your fingers, catch loose clothing or hair in the flame.
- The flame will initially burn low and blue in colour. Allow 5-10 minutes to reach the optimum temperature and flame height, when the flame will glow with a yellow colour.
- To adjust the flame height, use the tool supplied to move the metal sliding plate more (to *reduce* flame height) or less (to *increase* flame height) over the opening of the fuel box.
- For the first couple of uses, there is a very slight temporary odour, which is perfectly normal and will disappear within a few uses.
- Never blow out the flame in order to extinguish your Biofire. (See ‘Extinguishing The Fire’ section below)
- NEVER pour any fuel on top of a flame. Always allow the existing flame to be extinguished fully and the steel burner box to be at room temperature (allow around 30 minutes) before adding any more fuel.

EXTINGUISHING YOUR BIOETHANOL FIREPLACE

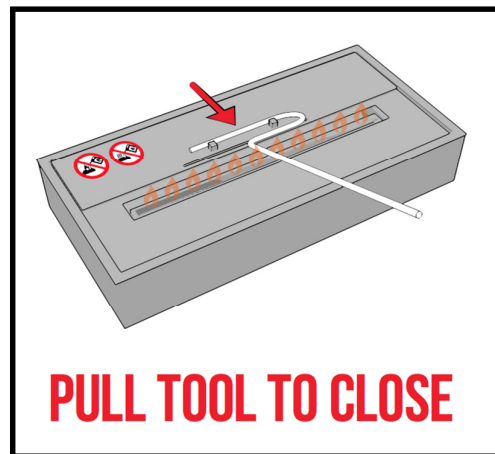
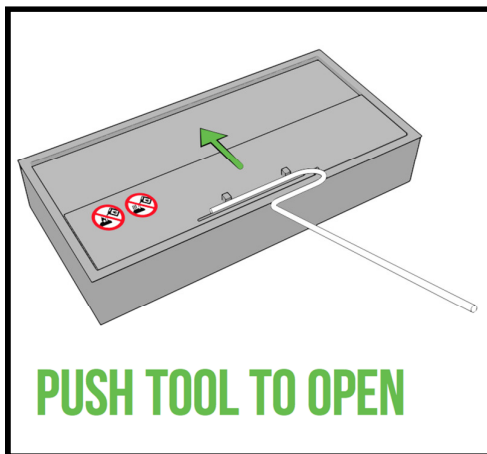
Please note that images shown may be different to the appearance of your Bioethanol fire, but the general principles of operating are the same.



Closing tool (size and type may vary)

PLEASE NOTE: The closing tool may be between the packaging and the cardboard in the box at the bottom, please remove all packaging to locate the closing tool

- To put out the flames, use the closing tool to pull the stainless steel shutter over the opening (See below). If the flames do not go out immediately, open the shutter and pull it closed again. Only use the closing tool provided with your fireplace.



- Take care not to knock the glass (if applicable to your fire) with the closing tool when opening and closing the fuel box. Chips or scratches could weaken the glass. Contact support@imaginfires.com should you need a replacement.
- Wait until the flame is completely extinguished and the box has cooled before touching any part of the fireplace
- Do not open the fuel box for at least 3 minutes after it has been closed. This will give plenty of time to ensure the flame inside is completely extinguished and will not re-ignite when opened.
- **Before refilling, wait at least 30 minutes to allow the fuel box to return to room temperature.**
- Always ensure that the stainless steel shutter is closed before leaving the fire unattended.
- Do not leave the closing tool on top of the fire as it will get hot to the touch.

LOOKING AFTER YOUR BIOETHANOL FIREPLACE

Over time, heat from the fireplace can cause the steel burner or surfaces of the appliance to change colour. Regular maintenance and cleaning will help to reduce any tarnishing.

- From time to time there may be some temporary discoloration on the paintwork of your Bioethanol fireplace. This is simply harmless residue from the burning of the bioethanol fuel and can be removed by using a non-scratch scourer type sponge with washing-up liquid. It is not a fault of the product.
- Ensure that the fuel box contains no fuel before cleaning.
- Never use chemicals, steel wool or abrasive cleaning products, as these can scratch the surface.
- Use a glass cleaner to clean the safety glass.
- Over time the stainless steel fuel box may start to discolour. This is a natural reaction to the high heat that is produced. It can be removed by using an approved stainless steel cleaner. Just rub the cream in the direction of the “grain” of the steel.
- Do not clean the burner box with water or put in a dishwasher.
- Once the fireplace is cleaned, ensure it is dry before attempting to light.
- Regularly check the inner steel fuel box and the outer chamber (if applicable to your model) for any signs of misshaping or leakage. Contact support@imaginefires.com should you need a replacement.
- Take care not to knock the glass (if applicable to your fireplace) when opening and closing the fuel box. Regularly check the glass for chips or scratches which could weaken the glass. Contact support@imaginefires.com should you need a replacement.
- If you intend to keep the fire outside, please keep it covered with a waterproof cover when not in use and do not store outdoors all year round. When uncovering the fireplace, ensure that there is no water in the fuel box or in the fireplace before use as water can collect internally and damage the fire. (Note : We do not sell the waterproof covers, but most DIY outlets have general covers for this purpose)
- When using the fire outdoors, please ensure that flammable objects are at least 1m away from the fire to ensure no flames can be blown onto them.
- The manufacturer cannot be held responsible for any damages resulting out of faulty use and/or cleaning of the product.

PRODUCT SPECIFICATION

Model Name	Model Number	Gross Weight	Maximum capacity of Fuel Box	Typical Burning Period per litre of fuel	Approx. Heat Output
Alden (Black/White)	IMBF03B/W	19kg	1.0 litre	3 to 4 hours	2kw/h
Anya	IMBF38	3.7kg	1.0 litre	3 to 4 hours	2kw/h
Arkle	IMBF37	7.7kg	1.0 litre	3 to 4 hours	2kw/h
Arlington (Black/White)	IMBF35B/W	17kg	1.0 litre	3 to 4 hours	2kw/h
Birkdale	IMBF100	24.5kg	1.0 litre	3 to 4 hours	2kw/h
Boston (Black/White)	IMBF13B/W	13.5kg	1.0 litre	3 to 4 hours	2kw/h
Bredon	IMBF104	19kg	1.0 litre	3 to 4 hours	3kw/h
Broadway	IMBF105	50kg	1.0 litre	3 to 4 hours	2kw/h
Burford (Black/White)	IMBF114B/W	27kg	1.0 litre	3 to 4 hours	3kw/h
Chiswick	IMBF101	27.5kg	1.0 litre	3 to 4 hours	2kw/h
Dalton (Black/White)	IMBF04B/W	9.6kg	1.0 litre	3 to 4 hours	2kw/h
Eton (Black/White)	IMBF01B/W	8.5kg	1.0 litre	3 to 4 hours	2kw/h
Fuego (Black/White)	IMBF12B/W	12kg	0.9 litre	3 to 4 hours	2kw/h
Globus (Black/White)	IMBF11B/W	28kg	1.0 litre	3 to 4 hours	2kw/h
Hampton (Black/White)	IMBF113B/W	25kg	1.0 litre	3 to 4 hours	3kw/h
Henley (Black/White)	IMBF20B/W	9.7kg	1.0 litre	3 to 4 hours	2kw/h
Howarth (Black/White)	IMBF106B/W	30kg	1.0 litre	3 to 4 hours	3kw/h
Malvern (Black/Cream)	IMBF67B/C	24.5kg	1.0 litre	3 to 4 hours	3kw/h
Marlow (Black/White)	IMBF21B/W	17kg	1.0 litre	3 to 4 hours	3kw/h
Marlow (Twin Burner)	IMBF201W	22kg	2 x 1 litre per fuel box	3 to 4 hours	4kw/h
Moritz (Grey)	IMBF11	22.5kg	1.0 litre	3 to 4 hours	3kw/h
Oblosk (Black/White)	IMBF05B/W	19kg	1.0 litre	3 to 4 hours	2kw/h
Pembrey (Black/White)	IMBF103B/W	28kg	1.0 litre	3 to 4 hours	3kw/h
Salcombe	IMBF107	25.8kg	1.0 litre	3 to 4 hours	3kw/h
Sanford	IMBF115	26kg	1.0 litre	3 to 4 hours	3kw/h
Stow (Black/White)	IMBF14B/W	23.5kg	1.0 litre	3 to 4 hours	3kw/h
Windsor	IMBF112	5.1kg	1.0 litre	3 to 4 hours	2kw/h

PLEASE NOTE : This Bioethanol Fireplace has been tested to **European Standard EN 16647:2015** and to **British Standard BS 16647:2015** by a recognized independent testing agency. If used in conjunction with this user manual this Imaginfires Bioethanol Fireplace is compliant with these standards.

CONTACT DETAILS

If you have any questions, please contact our knowledgeable friendly staff at support@imaginfires.com
Alternatively please call our Customer Support Helpline on **01443 203994**.

*This product was made in China for Tivoli Ltd, 20-22 Wenlock Road, London, N1 7GU.
Images are for guidance only. Appliances and component parts are liable to change at any time.*