



We make it easy to do it right

Wood burning stoves & accessories

2020-2021



”You should feel the beauty of a bonfire in the living room”

Casper Storm, Designer

The history of Aduro

It all started in 2005 with the wish to create the perfect fire for the living room. Hence the name Aduro. Aduro is Latin and means to ignite or to burn.

Today, more than **400,000 stove owners** across Europe have bought an Aduro stove. Throughout the entire history of humans, fire has been a source of heat, cosiness and socialising. Aduro would like to contribute to keeping this tradition alive. Fire should be seen and felt. It should be easy to fire correctly. And with a good conscience.

Our ambition was and still is to make consumers feel like they are firing as well in their homes as professionals. The technology in our products is simply designed to help you.

We can proudly say that we make it easy to fire correctly and get the maximum benefit from your wood burning stove.





Minimalist Scandinavian design

A wood burning stove from Aduro is thoroughly designed from inside and out and from top to bottom by Danish architects and designers. Nothing is left to chance. Most often, they are designed with large glass panels and clean lines, which make the stoves design elements in themselves. They fit into both the modern and the more traditional home. In the following pages, we will present you to the different series of wood burning stoves we offer, and in the back of the catalogue, you will find an overview of all our wood burning stoves.

Aduro wood burning stoves

Clear view of the fire. Effective air-wash system prevents soot on the glass

Environmentally friendly combustion

Comfortable and effective heating (convection)

Great value for money due to effective production and distribution

Simple maintenance

Get the most out of your firewood with the innovative Aduro-tronic, Aduro Smart Response and Aduro DraftOptimizer

Free warranty extension, enjoy up to 5 years warranty. Register your stove at adurofire.com/warranty

10 years of spare parts guarantee. Visit aduroshop.com

We have everything for your wood burning stove – in one place



Experience Aduro Online

We have created an inviting showroom with all our products that can both introduce, inspire and hopefully seduce you. Take a look at our large selection and get tips and tricks – whenever it suits you best.

Read what customers say about Aduro, try our 360° pictures and get good advice on how to use your wood burning stove effectively, among other things.

We help you from the initial research to the stove is installed – and long after that.

You can also visit our Facebook site or Youtube channel.



adurofire.com & tips.adurofire.com

Burn wisely Save up to 40%

Put firewood in the stove, ignite it and enjoy the warmth

Aduro-tronic automatically regulates the primary air in your wood burning stove after one simple pull. This means simple operation, **up to 40%* less firewood consumption** and environmentally friendly combustion.

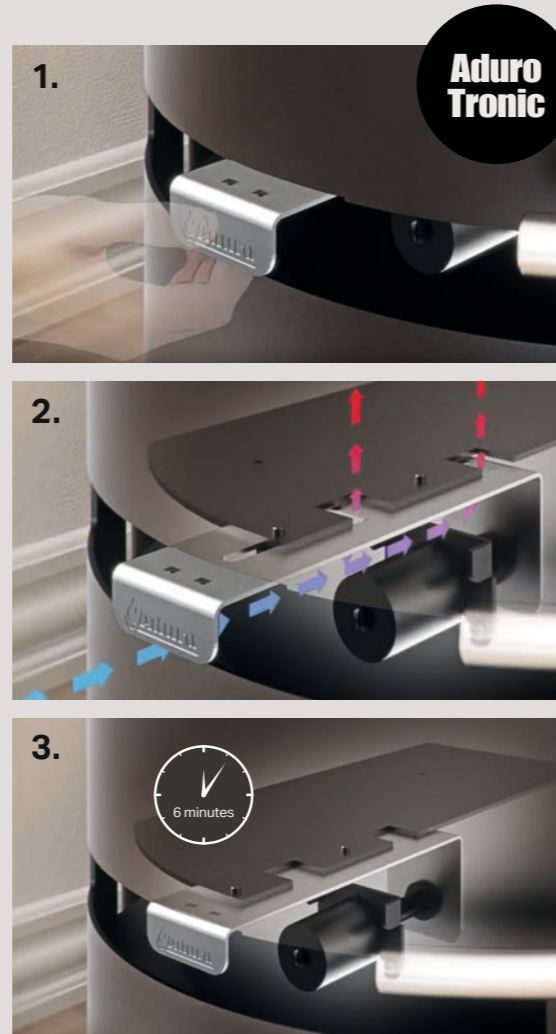
The automatic device is elegantly integrated underneath the combustion chamber and works without electricity. All Aduro wood burning stoves are equipped with Aduro-tronic as a standard.

See more on adurofire.com

How does Aduro-tronic work?

1. Activate Aduro-tronic by pulling the handle.
2. The air supply is now fully open.
3. The automatic device will slowly close the air supply within approximately 6 minutes.

*Tests have shown that an Aduro 1 with an incorrectly adjusted air damper (open primary air damper) uses 40% more wood than the same stove with Aduro-tronic.



The secret to perfect combustion

Aduro Smart Response is a device with two sensors that communicate wirelessly with an app on your smartphone or tablet. In the app, you can always see when you should add more firewood, what the temperature in your wood burning stove is and whether the stove is burning at a temperature too low or high.

With Aduro Smart Response, you can put your focus in other places and still operate your wood burning stove optimally. Aduro Smart Response works with all wood burning stoves, regardless of brand and model.

- Less smoke out of the chimney
- Improved combustion
- Reduced firewood consumption



The environment

Burning firewood is an environmentally friendly way to heat your home. Firewood is **CO₂ neutral** and thereby the world's most climate friendly resource. At tips.adurofire.com you can calculate how many kg of CO₂ you can save every year with a modern, environmentally friendly wood burning stove.

All Aduro stoves meet the requirements of **Ecodesign 2022**, which is an EU directive created to minimize the emission of particles and thereby improve air quality across the EU's borders. The directive makes demands on the energy efficiency and particle emissions of the product.



The Nordic Swan Ecolabel

You can help protect nature by choosing the Nordic Swan Ecolabel, which is a common Nordic ecolabel. The Nordic Swan Ecolabel is your guarantee that the product is among the most environmentally friendly on the market and that it meets the highest requirements on efficiency and clean combustion, among other things. Most Aduro wood burning stoves exceed the Nordic Ecolabel requirements and are among the most environmentally friendly stoves in the world, as they emit very little smoke out the chimney.

Wood burning stoves with the Nordic Swan Ecolabel are simply better for the environment. Better for you.

Install a smoke exhauster

Get more out of your wood burning stove

Do you experience problems with ignition? Smoke in the living room when you open the door to the stove? Bad combustion or smoke in the neighborhood? Then, **Aduro DraftOptimizer** is the solution. The smoke exhauster immediately ensures an even draft in the chimney and reduces smoke and smell nuisances. It is installed on top of the chimney and controlled from inside the house. Fits both old and new chimneys.

- Less smoke in the living room
- Improves combustion – adjustable draft
- Less smoke out of the chimney
- Easy lighting of the wood burning stove
- 24V motor with a low energy consumption

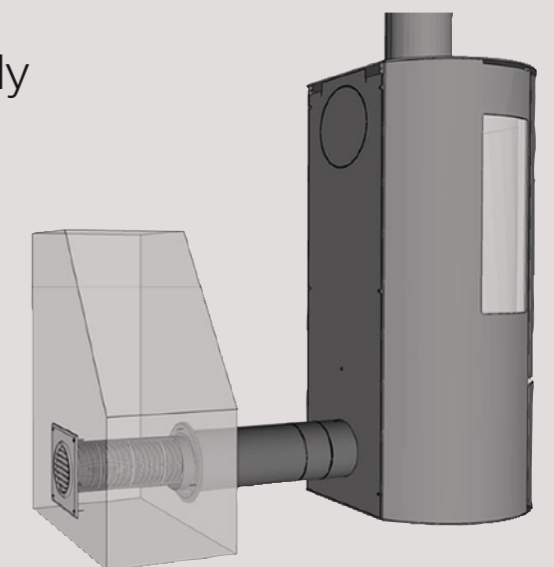


Aduro stoves with external air supply

Wood burning stoves need a constant air supply to ensure clean and effective combustion. However, this can be a problem in modern, energy-efficient homes, which are often very airtight. **Aduro 9 air, 9 Lux Beton, 9.3 Lux, 9.5 Lux, 12, 15 Lux, 17, 17.1 Lux white, 22, 22.1 Lux, 22.3 Lux and 22.5 Lux** are therefore fitted with external air supply, which means that air for combustion is brought from the outside and seamlessly led directly into the stove without affecting its appearance.

Did you know?

Aduro offers a complete kit for installation of the fresh air system. The kit includes all the components necessary for a standard rear-facing installation.



Aduro 17 series



Aduro 17.1 Lux white | Aduro 17



Aduro 22 series

Round, slender and elegant are the key words that describe the four variants in the Aduro 22 series, which are ideal for small rooms and houses. The curved glass and the soft, harmonious lines lead your eyes straight into the beautiful fire. Special characteristics for the stove include the elegant handles and the beautifully rounded combustion chamber.



With the Aduro 17 series, we have taken all the best qualities from Aduro 9 and designed a series of exclusive wood burning stoves in both black and white. The tasteful details are carefully thought out. The convection vents are integrated into the stove's natural lines, the combustion chamber itself is beautifully

rounded off in the back, the ash tray runs silently on gaskets, there are elegant details in cast iron, and the stove is elevated on a small base. The large glass panels and the elegant handles give the stove an elegant finish. The Aduro 17 series is the perfect match for the modern home.



Aduro 22.1 Lux | Aduro 22.3 Lux | Aduro 22.5 Lux | Aduro 22

Aduro 15 series

Aduro 15 Lux | Aduro 15.3 | Aduro 15



The primary goal with the Aduro 15 series has been to create a stove with a very wide combustion chamber that can accommodate logs up to 50 cm long. The elegant elliptical shape was an obvious way to widen the shape while maintaining a minimal depth. This has given the stove a very elegant appearance. Nothing disrupts the broad view of the fire, as handles and levers for air regulation are fully integrated into the stove.

The series consists of 7 models that all offer effective combustion, an impressive view of the flames as well as good thermal comfort.



Aduro 9 series



Aduro 9 | Aduro 9.7 | Aduro 9.3 Lux | Aduro 9.5 Lux



The Aduro 9 series consists of 11 models that give you the freedom to design your home the way you are dreaming of. For instance, you can choose a tall stove, one with glass on three sides, one that is wall-mounted, one on a pedestal, one covered in concrete and one with heat-absorbent stones.

The Lux models are the newly developed addition to the series. They are characterized by an elegant, black glass door and newly developed handles. The large, curved glass door catches the eye with its polished and shiny look, and the discrete appearance of the handles leaves you with an undisturbed view of the flames.



Aduro 1.1 series

The Aduro 1.1 series is a natural continuation of the chimney. The front is completely smooth. The door handle and the airflow adjustment handle are fully integrated into the stove, giving it a stylish and elegant look. The stove has a large, curved glass

door that allows a clear view into the flames. Aduro 1.1 is available with a drawer, in a tall edition with a firewood compartment and covered with soapstone or limestone tiles. The series is created for you who like a simple and timeless design.



Aduro 1.1 | Aduro 1.1 SK | Aduro 1.4



See the full selection online



Aduro 12 | Aduro 18 | Aduro 9 Lux/Beton | Aduro 14 | Aduro 5.1

Aduro Outdoor Products



We are also lighting fires under the open sky. With Aduro Outdoor products, you can create your very own outdoor universe. Enjoy the warmth from the outdoor fireplace or light a fire in the fire basket.

Aduro Fire Ball | Aduro Outdoor fireplace

Specifications

In the next three pages, you will find specifications for every Aduro wood burning stove. See the separate brochure for Aduro Hybrid and Aduro Pellet Stoves.



	Aduro 1.1	Aduro 1.1SK*	Aduro 1.4	Aduro 5.1	Aduro 7.2	Aduro 9	Aduro 9 air	Aduro 9 Lux Beton	Aduro 9.1	Aduro 9.3	Aduro 9.3 Lux
Article number	50215	50315	50217	50453	50273	50291	50296	50303	50292	50294	50301
Nominal power	6 kW	6 kW	6 kW	7 kW	7 kW	6 kW	6 kW	6 kW	6 kW	6 kW	6 kW
Operational area	3-9 kW	3-9 kW	3-9 kW	3-9 kW	3-9 kW	3-9 kW	3-9 kW	3-9 kW	3-9 kW	3-9 kW	3-9 kW
Heats	30-140 m ²	30-140 m ²	30-140 m ²	30-140 m ²	30-140 m ²	30-140 m ²	30-140 m ²	30-140 m ²	30-140 m ²	30-140 m ²	30-140 m ²
Dimensions in cm											
Flue outlet, diameter	Ø15 top/rear	Ø15 top/rear	Ø15 top/rear	Ø15 top/rear	Ø15 top/rear	Ø15 top/rear	Ø15 top/rear	Ø15 top/rear	Ø15 top/rear	Ø15 top/rear	Ø15 top/rear
Outer dimensions (HxWxD)	101.5 x 50 x 45	104.5 x 50 x 45	114 x 50 x 45	57.4 x 63.5 x 46	105.8 x 49.7 x 43.4	95.8 x 50 x 44.7	95.8 x 50 x 44.7	139.9 x 54.4 x 50	95.8 x 50 x 44.7	104 x 50 x 49	114 x 50 x 45.8
Distance to combustible material behind the stove	17	17	17	25	25	20	15	15	15	15	15
Distance to combustible material behind the stove with insulated flue pipe	12	12	12	-	-	-	10	10	10	10	10
Distance to combustible material to the side	45	45	45	30	70	70	70	45	45	70	70
Distance to combustible material in corner position	30	30	30	-	-	-	-	20	20	-	-
Distance to furniture	100	100	100	110	102.5	80	90	90	90	90	90
Distance from floor to centre of rear outlet	88.8	88.8	101.4	-	92.2	84	84	101	84	92.2	102.2
Distance from centre of exhaust branch to rear edge of stove	19.5	19.5	19.5	19	19.5	19.3	20.3	22.8	19.3	19.3	20.3
Maximum wood length	36	36	36	40	39	39	39	39	39	39	39
Aduro-tronic automatic	✓	✓	✓	✓	✓	✓	✓	✓	✓	✓	✓
Convection stove	✓	✓	✓	✓	✓	✓	✓	✓	✓	✓	✓
Air-wash system	✓	✓	✓	✓	✓	✓	✓	✓	✓	✓	✓
Ash pan	✓	✓	✓	✓	✓	✓	✓	✓	✓	✓	✓
External air supply	-	-	-	-	-	-	✓	✓	-	-	✓
Efficiency	81.2 %	81.2 %	81.2 %	78.7 %	78 %	81.3 %	81.3 %	81.3 %	81.3 %	81.3 %	81.3 %
Particle emission	1.6 g/kg	1.6 g/kg	1.6 g/kg	3.22 g/kg	1.37 g/kg	1.9 g/kg	1.9 g/kg	1.9 g/kg	1.9 g/kg	1.9 g/kg	1.9 g/kg
Energy efficiency class	A+	A+	A+	A	A	A+	A+	A+	A+	A+	A+
Energy efficiency index	108.7	108.7	108.7	105.1	104.1	108.9	108.9	108.9	108.9	108.9	108.9
Weight	95 kg	113 kg	81 kg	77 kg	95 kg	93 kg	103 kg	167 kg	100 kg	103 kg	108 kg
Colour	Black	Black	Black	Black	Black	Black	Black	White	Black	Black	Black
Certifications	Ecolabel, DIN EN13240, CE & NS3058	Ecolabel, DIN EN13240, CE & NS3058	Ecolabel, DIN EN13240, CE & NS3058	DIN EN13240, CE & NS3058	Ecolabel, DIN EN13240, CE & NS3058	Ecolabel, Defra, DIN EN13240, CE & NS3058	Ecolabel, Defra, DIN EN13240, CE & NS3058	Ecolabel, Defra, DIN EN13240, CE & NS3058	Ecolabel, Defra, DIN EN13240, CE & NS3058	Ecolabel, Defra, DIN EN13240, CE & NS3058	Ecolabel, Defra, DIN EN13240, CE & NS3058

*Also available with limestone. Aduro 1.1SK Limestone: 50316

The list continues on the next page →

Aduro accessories

We offer a wide selection of accessories, including everything you need for your wood burning stove.

- Flue pipes in the same colors as the stoves
- Floor hearths/special floor hearths that fit the shape of the stove
- Smart solutions for carrying and storing firewood
- Environmentally friendly firelighters
- Decorative top plates of soapstone, sandstone and limestone
- Tools that make life with a wood burning stove easier

See our large accessories selection at adurofire.com



The plastic insert fits perfectly inside the Ø45 basket. It protects the basket and makes it easy and practical to collect firewood.

Aduro Proline Ø45 in PET, khaki melange

Aduro Proline Ø45 in felt, grey



Not liable for typographical errors or stylistic adjustments of images used