

DEFRA
APPROVED



eco-ideal



Multifuel Room Heaters

The uniquely British environmentally friendly heating solution



Contents

eco inset 5	1
eco inset 8	2
eco 1	3
eco 2	4
eco 3	5
eco 4 slimline	6
eco 5	7
eco 6	8
DEFRA Approval	9
Technical Key / Options	10-11
Technology	12
Warranty	13

Lowering your environmental impact

Concerned about your carbon footprint? Take action. Our eco range of fires offer efficient home heating – with minimal environmental impact. And we've got the test results to prove it...

Ready for the future

eco-ideal isn't just a name – it's a statement. We believe that our countryside is worth protecting. So we designed the eco-ideal range with significantly lower emissions than traditional multi-fuel stoves. Certified by European experts to be exempt from the Clean Air Act, every eco-ideal heater is permissible in Smoke Control areas.

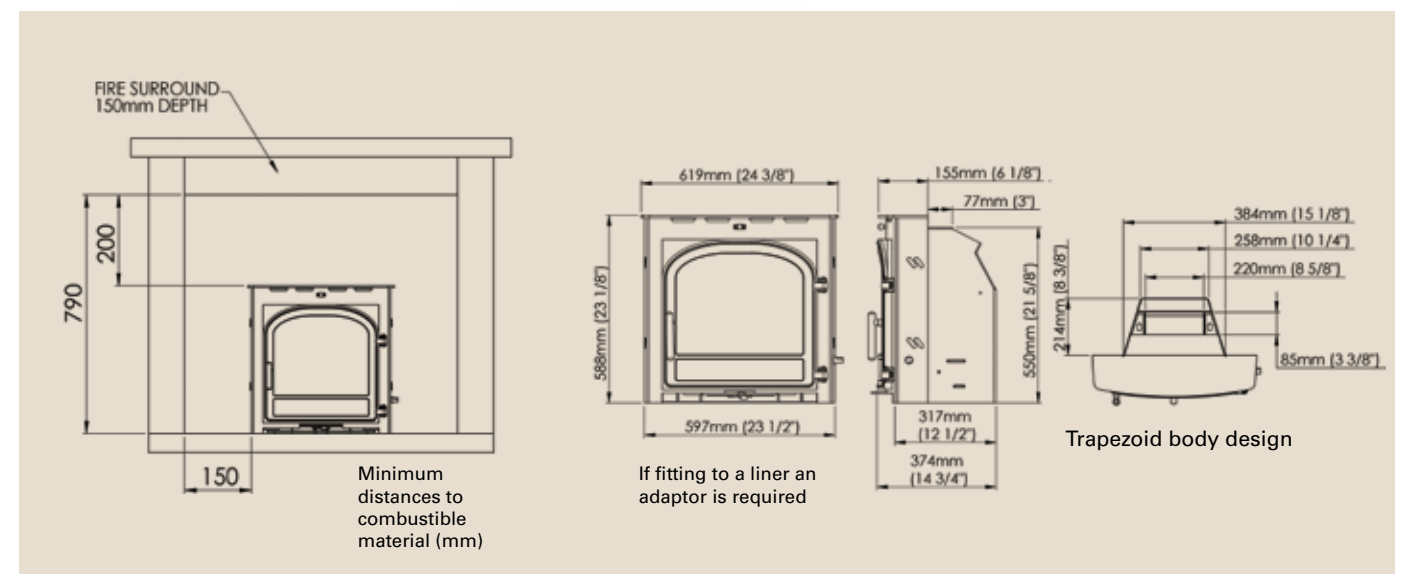


The eco friendly Inset 5 achieves an impressive efficiency of 77.1% along with very low emissions and DEFRA approval for use in Smoke Control Areas. With the NEW Trapezoid body design the eco Inset 5 combines Cleanburn Technology, Tripleburn technology and our Hot Airwash systems to keep the glass clean and clear and direct all of the heat into your room. With the new high efficiency convection system the clearance distances around the fire allow you to put the stove into your existing wood surround.

Heat Output 3kW to 5kW

Nominal Output 4.9kW

■ Convection Sides
■ Trapezoid design



eco inset 8

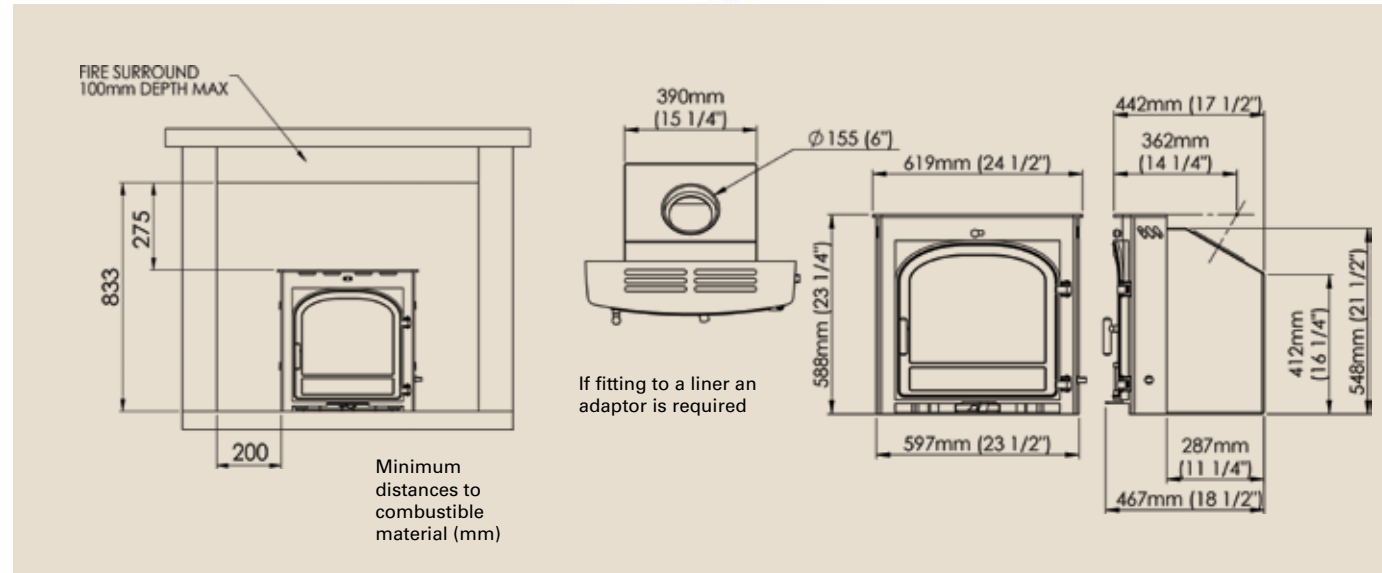


The eco Inset 8 has been designed by our team of engineers in Cornwall to throw all the heat forward into the room. With its NEW Trapezoid internal shape and full firebox convection system the engineers have produced a fantastic large inset stove. It will deliver a generous output of 5-8 kW to keep you cosy as the nights draw in. We've tested it extensively in our labs to make sure it can go the distance reaching 75% efficiency and a very impressive Co Emission of 0.18% demonstrating the improvements in technology we've made.

Heat Output
5kW to 8kW
Nominal Output
6kW



Convection Sides
Trapezoid design



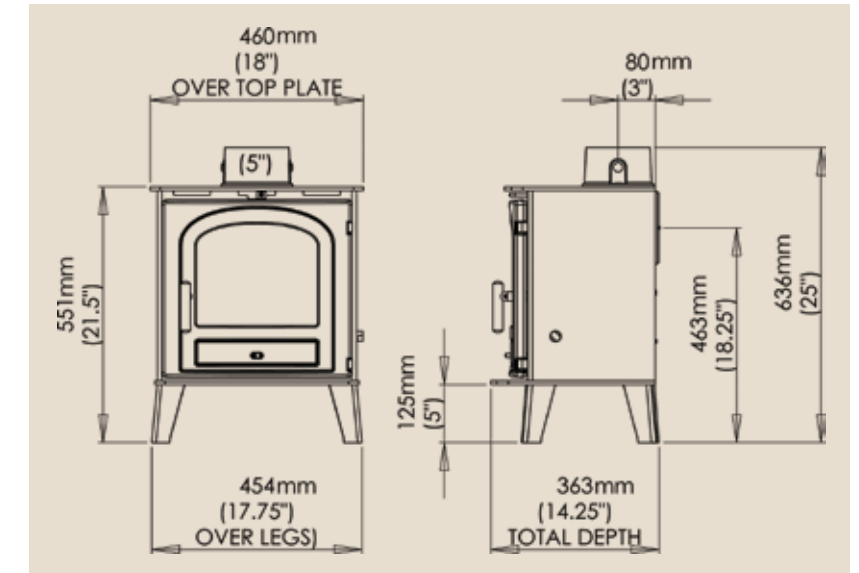
eco 1



We don't all have country manors with enormous fireplaces, so we've asked our Engineers to design an eco friendly compact stove. With all of the gorgeous good looks and features of the bigger versions, the eco 1 has surprisingly neat dimensions.

With a depth of only 363mm, the eco 1 will sit comfortably on your hearth, but it has still got all of our landmark technologies: 'the eco-ideal Cleanburn' system for efficient burning and a hot air wash for cleaner glass. Whether yours is a period terrace or a chic new home, the eco 1 will fit your lifestyle beautifully.

Heat Output
3.5kW to 5.5kW
Nominal Output
4.6kW

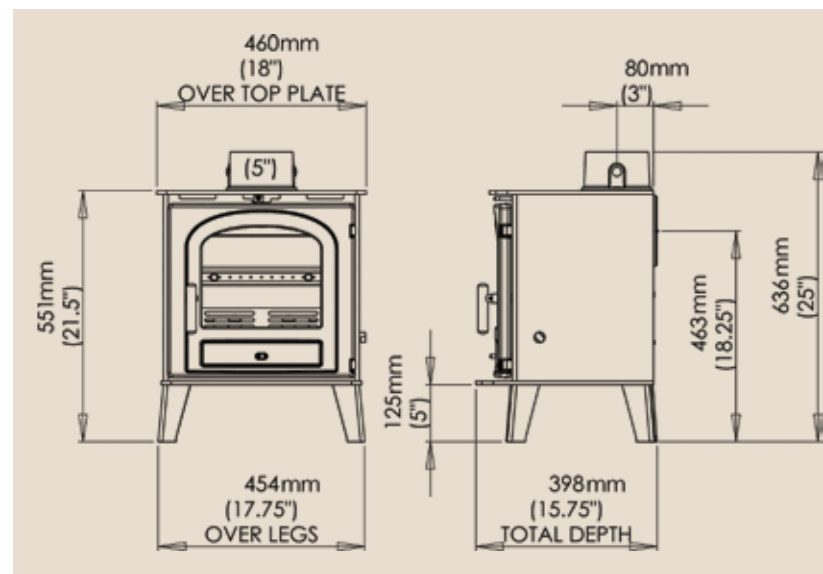




This hard working stove will serve your family for decades and its good looks will never go out of fashion. You want a heater you can rely on? Something that is well made and adaptable to different fuels? Well hear it is. The eco 2 produces an impressive heat output range of 3.5kW to 7kW thanks to eco ideal Cleanburn technology, which maximises results and reduces emissions, and without the need for an air brick.

The eco 2 stove like all the eco range incorporates our two position grate system for burning wood and smokeless fuel incredibly efficiently. Many competitors stoves have a fixed grate system with wood embers falling through the grate into the ashpan whereas the eco-ideal grate system builds a bed of hot ash for optimum wood burning.

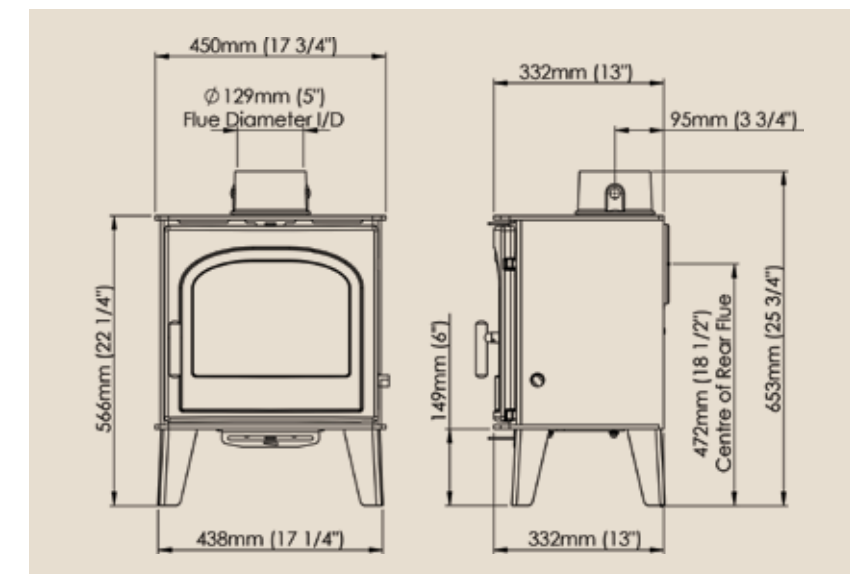
Heat Output
3.5kW to 7kW
Nominal Output
4.6kW



The eco 3 sets a new standard for Defra approved stoves, the perfect combination of style and technology, it radiates charm and sophistication and would be a perfect addition to any room. With an output of up to 5kW there is no need to have a cumbersome airbrick installed.

Everything about this stove has been designed to make your life easier: our Triple Burn technology will get as much heat as possible from your fuel and the Hot Air Wash will even keep the glass clean for you. What are you waiting for? Put your feet up and let your new eco 3 keep you warm.

Heat Output
3kW to 5kW
Nominal Output
4.6kW



eco 4 slimline



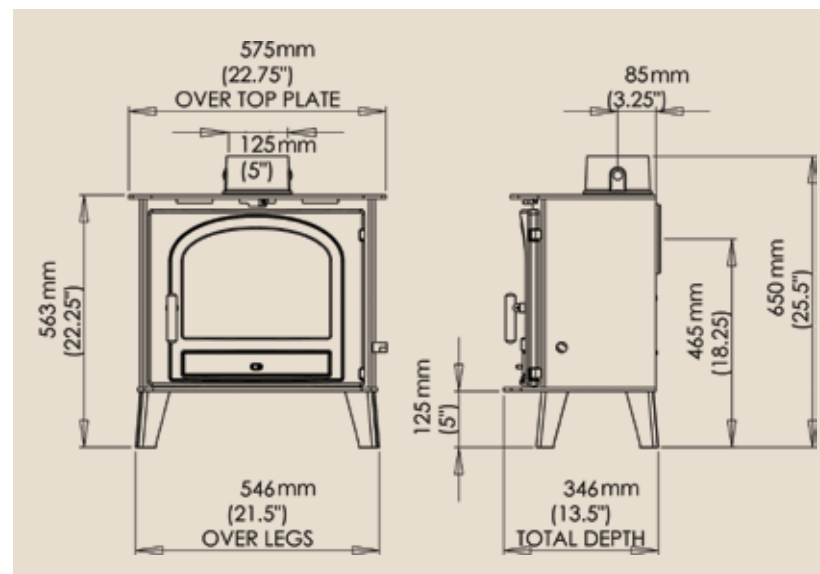
If you want a cosy room but you have a narrow hearth, here's your perfect match. The eco 4 is our solution to a problem that is familiar in many homes: a wide fireplace with a narrow hearth. This space saving room heater is not stingy when it comes to performance either.

You can load the fuel bed with smokeless fuel or large 16" logs and enjoy a generous output range of 3.5kW to 6.5kW. This British stove engineered in Cornwall features Eco-ideal Cleanburn Technology to make sure you are very cosy all winter long.



Heat Output
3.5kW to 6.5kW

Nominal Output
4.9kW



eco 5



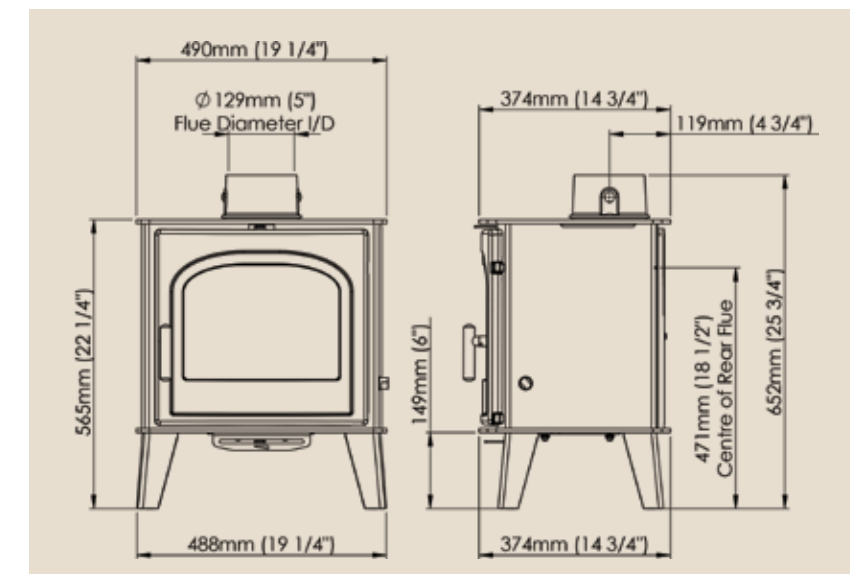
The eco 5 is not just a design statement, with striking looks and a larger glass area for a better view of the fire it is also 80% efficient. It offers our patented cutting edge Technology with our Tripleburn Tertiary Airstream system that ignites, reignites and radiates the fire with ease.

The eco 5 boasts a very low eco-friendly CO emission level of 0.17% along with full convection sides and back and combined with a 4kW to 6kW heat output. This stove is sure to tick all of the right boxes and look absolutely striking in your home.



Heat Output
4kW to 6kW

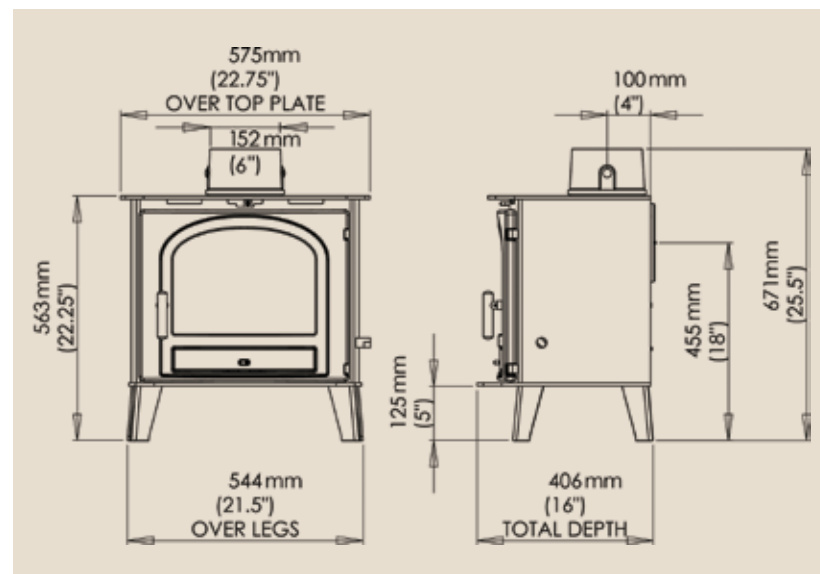
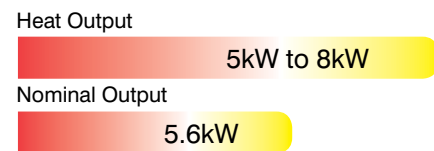
Nominal Output
4.4kW





Want a roaring fire, without the carbon guilt? Our biggest eco model blasts out an impressive Heat Output Range of 5kW – 8kW and it still meets the Clean Air Act requirement. The eco 6 is a medium-sized stove with a very big heart.

Load it up with seasoned wood and enjoy a cosy fire with our lowest-ever emissions and an efficiency of 78%. You want the best for your family, and we've made it happen: you'll get eco-ideal Cleanburn and Tripleburn technology for performance, plus hot Airwash for a cleaner glass, and the revolutionary de-ashing system with special fuel settings to optimise the burning of wood and solid fuel. Our engineers put their very best work into making the eco family the very best.



DEFRA Clean Air Act Approved

If you live in a designated Smoke Control Area, the Clean Air Act prevents you from emitting smoke from your chimney – with offenders facing a fine of up to 1000. This means you're usually only able to burn authorised smokeless fuel.






However, the eco-ideal range are not like ordinary stoves. They smoke so little that in October 2011 DEFRA declared them exempt from the Clean Air regulations.

This means that you can use an eco-ideal to burn wood, even if you live in a Smoke Control Area. The eco-ideal's built-in technology ensures that emissions are consistently low. We're delighted to have met the stringent demands of the Department for the Environment, Food & Rural Affairs. If you're in a Smoke Control Area, you'll be equally delighted with the results.



Technical key

Options

	eco inset 5	eco inset 8	eco 1	eco 2	eco 3		eco 4 slimline	eco 5	eco 6
Efficiency on wood %	71%	75%	76%	76%	75%		73%	80%	78%
Heat Output Range:	3kW – 5kW	5kW – 8kW	3.5kW – 5.5kW	3.5kW – 7kW	3kW – 5kW		3.5kW – 6.5kW	4kW – 6kW	5kW – 8kW
Can be installed without an Airbrick fitted*		~							~
Flue Damper	~	~	•	•	•		•	•	•
Flue gather box	~	~	•	•	•		•	~	•
Ventilation (mm ²)	NOT REQUIRED	550mm ²	NOT REQUIRED	NOT REQUIRED	NOT REQUIRED		NOT REQUIRED	NOT REQUIRED	550mm ²
Nominal Heat Output	3.5 kW	6 kW	4.6 kW	4.6 kW	4.6 kW		4.9 kW	4.4 kW	5.6 kW
Log sizes (approx)	235mm - 9 3/4"	250mm - 10"	280mm - 11"	280mm - 11"	300mm - 11 3/4"		405mm - 16"	320mm - 12 1/4"	380mm - 15"
Leg Lengths	N/A	N/A	148mm - 5 3/4"	148mm - 5 3/4"	148mm - 5 3/4"		127mm - 5"	148mm - 5 3/4"	127mm - 5"
Weight	117kg	117kg	103kg	104kg	95kg		99kg	117kg	105kg

• = option ~ = not available

* Dependent on the Builders Air Permeability Rating.

NB. Please note that all weights are approximate and could vary slightly.

NB. Ventilation is dependent on the Permeability Rating of the Building.

For further details please visit:

<http://www.planningportal.gov.uk/buildingregulations/approveddocuments/part/approved> and download the free copy of Document J. Info about the ventilation and air permeability ratings is table 1 on page 29.

Heat outputs are dependent on fuel load and installation parameters. Performance of units can vary greatly dependent on flu draughts, weather conditions, type of fuel and moisture content etc. eco-ideal has a policy of continuous product improvement and therefore reserves the right to change specifications and designs at any time without prior notice. eco-ideal recommends that the suitability of any installation should firstly be agreed with a HETAS qualified installer, or similarly accredited professional, to ensure compliance with Building Regulations. eco-ideal will not be held responsible for any losses, however arising, from inappropriate installations by unqualified or non-competent installers. An inappropriate installation may also invalidate claims made under the manufacturer's warranty or guarantee.

Your new stove is ready to be customised.

Optional flue damper and gather box: use the damper to reduce the air inflow and let your stove burn slowly overnight when burning wood. The flue gather channels smoke into the flue; check whether you have or need one.



Optional flue damper

Optional flue gather box

HOW MUCH SPACE WILL MY STOVE NEED?

With all our freestanding units it is safe to install with a clearance of 2" (50mm) either side and above the stove to NON Combustible material. However for optimum performance and heat output we recommend a clearance of 6" (150mm). Behind the stove there should be a clearance of 4" (100mm) to enable access to the Tertiary Air inlet.

WHAT IS A NOMINAL OUTPUT?

The nominal output is the output achieved under specific test conditions by the independent test laboratory. The stoves tend to be operated with the air controls set at less than maximum and with relatively modest fuel loads. We recognise that end users are unlikely to operate the stoves in this way and therefore we carry out internal testing to suggest a reasonable **Heat Output Range** that the customer should achieve without over firing the unit.

Made in Cornwall



We are proud to be designing, engineering, developing, testing and building our stoves in Cornwall.



eco-ideal

Tripleburn[®] technology

So how does our famous Tripleburn work? It involves the use of three streams of air to maximise combustion. Air is drawn in beneath the fuel, above the fuel (passing in front of the glass door), and behind the fuel. This hot air improves ignition so that the wood or smokeless fuel is burned more efficiently.

What this efficiency actually means is that you'll get more warmth from your stove – a better performance from less fuel. You can heat your living space for less than other options might cost.

It also means that there's less carbon monoxide and hydrocarbon travelling up the chimney – for a cleaner atmosphere. So there's an environmental benefit on top of the economical benefit. Some would call it win-win-win; we call it Tripleburn.



Optimum woodburning conditions

The Tripleburn[®] technology improves the ignition of the fuel, with a jet of air directed into the heart of the fire. When the grate is in the closed position, creating a flat base, it allows a deep bed of ash to build up – these are the optimum conditions for burning wood.

Optimum solid fuel burning conditions

When burning smokeless fuel, the grate is moved to the open position by a single turn of the handle. 'Primary Air' is then directed under the open grate and into the heart of the fire, ensuring a clean, efficient burn.

'Tertiary Air' re-ignites the un-burnt gases ensuring a cleaner burn.

Independently CE tested and approved

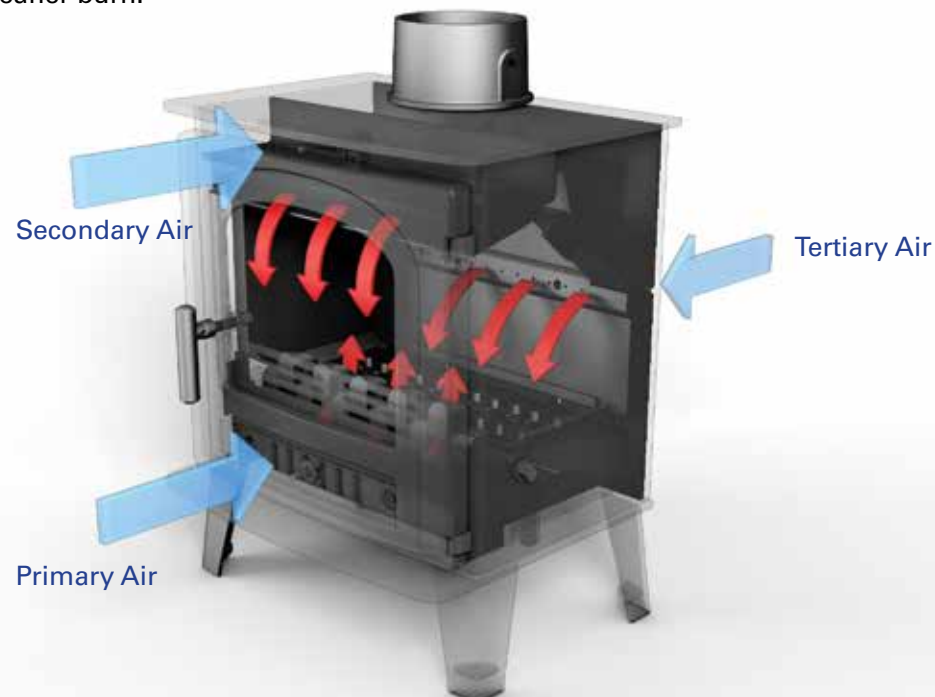
All the stoves in the eco-ideal range meet the stringent CE approval test requirements

Designed for and tested under the Danish testing standards.

- Tripleburn[®] technology
- Exceptionally hot air wash
- Dust free, safe and easy riddling
- Multi-fuel grate system for burning wood or solid fuel

Airwash keeps the glass clean

Hot Airwash Technology does the work for you. A 'Secondary Air' wash maintains a stream of air between fuel and door, reducing the build-up of carbon deposits on the glass.



Warranty

All eco-ideal range is available with a 2-5 year warranty.

This is only valid if the stoves are serviced annually on the anniversary of installation. For details of the warranty specifications please visit our website www.ecoidealfires.co.uk.



Hunter Superior Choice

From the smallest to the largest, every stove has built-in features that improve its performance. For example, Cleanburn – a system designed to reduce carbon emissions from the stove. When you buy a Hunter stove, you get the full package – and a few extra surprises, too.



Hunter Living Design

Hunter Stoves are built on over 40 years of expertise – and equipped to face the future. Whichever model you choose, you can now enjoy better performance, more options, and a cleaner future.



Di Lusso

Icona Futuro . . . Designed for designers, the Di Lusso range epitomises smooth Italian chic. It's got the trustworthy performance of a Vespa and the smooth finish of espresso crema. This sleek, flush-to-the-wall stove brings you real flames – in a modern frame.



Avalon

Kick off your shoes and come in... there's a fire flickering behind the glass. An Avalon stove will make your house feel like home.



Your Local Stockist



Eco-ideal