



# CLEANBURN Brought to you by The Stove House

scandinavian sophistication



hunterstoves  
GROUP

OUR CLEANBURN RANGE OF STOVES BRINGS THE COOL, MINIMALIST ELEGANCE OF SIMPLE SCANDINAVIAN STYLE INTO YOUR HOME.

Combining the sleek, modern look you associate with the best of Norwegian and Swedish design with our innovative, user-friendly technology ensures you get the best of both worlds – style and efficiency in perfect harmony.

From the home of classic wood-burning stoves comes this stunning range of traditional convection and radiant stoves, bringing a touch of Scandinavian class to your home.

10  
YR WARRANTY

CLEANBURN  
AUTHORISED  
DEALERS  
PROVIDE AN  
EXTENDED  
10 YEAR  
WARRANTY

For full warranty specifications and terms and a list of authorised stockists, please visit [www.hunterstoves.co.uk](http://www.hunterstoves.co.uk)



SKAGEN 5

LØVENHOLM  
LØVENHOLM EURO  
NØRRESKOVEN

4 - 5  
6 - 7  
8 - 9

NØRRESKOVEN EURO  
SØNDESKOVEN  
SØNDESKOVEN EURO

10 - 11  
12 - 13  
14 - 15

SKAGEN 5  
SKAGEN 6  
NORDSTRAND 5 PORCELAIN

16 - 17  
18 - 19  
20 - 21

NORDSTRAND 5 BLACK  
STRÖMSTAD 5  
STRÖMSTAD SJU + ATTA

22 - 23  
24 - 25  
26 - 27

FEATURES | OPTIONS  
TECHNOLOGY  
DIMENSIONS

28 - 29  
30 - 31  
32 - 35



LØVENHOLM

SINGLE DOOR

THE LØVENHOLM IS A BEAUTIFULLY DESIGNED SCANDINAVIAN-STYLE STOVE. IT EMBRACES THE BEST OF OUR LONG HISTORY OF TRADITIONAL WOOD-BURNING STOVE MANUFACTURE TO DELIVER A HIGH PERFORMANCE MODEL FEATURING HIGH HEAT OUTPUT WITH EXCEPTIONALLY LOW EMISSIONS.

The Løvenholm is one of the few stoves in Britain to pass the Norwegian Standard, one of the most stringent emissions tests in the world.



/ DOUBLE DOOR  
/ MULTIFUEL  
/ BLACK HANDLE

/ SINGLE DOOR  
/ MULTIFUEL  
/ BLACK HANDLE

/ SINGLE DOOR  
/ WOOD  
/ BLACK HANDLE

- DEFRA APPROVED
- NO AIR BRICK REQUIRED
- 5" FLUE COLLAR
- TRIPLEBURN® TECHNOLOGY
- HOT AIR WASH SYSTEM
- CAN BE FITTED ON A 12mm HEARTH



LØV  
ENH  
OLM



LØVENHOLM  
/EURO

LØV  
ENH  
OLM  
EURO

SINGLE DOOR

WITH CREDENTIALS THAT MEET EUROPE'S STRICTEST ECO-STANDARDS, THE LØVENHOLM EURO IS A MODERN TWIST ON OUR BEST-SELLING LØVENHOLM TRADITIONAL MODEL.

Designed to provide a clean, environmentally-conscious performance, the Løvenholm Euro combines sleek lines and minimalist looks to make it the perfect complement for contemporary homes.

The seamless legs that house a stylish log-store ensure your stove is fully stocked at all times.



/ DOUBLE DOOR  
/ MULTIFUEL  
/ BLACK HANDLE

/ SINGLE DOOR  
/ MULTIFUEL  
/ BLACK HANDLE

- DEFRA APPROVED
- NO AIR BRICK REQUIRED
- 5" FLUE COLLAR
- TRIPLEBURN® TECHNOLOGY
- HOT AIR WASH SYSTEM
- CAN BE FITTED ON A 12mm HEARTH





**NØRRESKOVEN**

DOUBLE DOOR

NØR  
RES  
KOV  
EN

THE NØRRESKOVEN UNITES CLASSIC, TRADITIONAL STOVE DESIGN WITH FUTURE-PROOF TECHNOLOGY. THIS CONVECTION STOVE CAN BE FILLED WITH SEASONED LOGS AND THANKS TO TRIPLEBURN® TECHNOLOGY, GUARANTEES TO DELIVER EFFICIENT OUTPUT EVERY SINGLE TIME.

The heat output range of this stove is sufficient enough for family rooms and burns evenly at an adjustable pace meaning this classically styled stove is perfect for any home.



/ DOUBLE DOOR  
/ MULTIFUEL  
/ STAINLESS HANDLE

/ SINGLE DOOR  
/ WOOD  
/ STAINLESS HANDLE

/ SINGLE DOOR  
/ MULTIFUEL  
/ STAINLESS HANDLE

- DEFRA APPROVED
- NO AIR BRICK REQUIRED
- 5" FLUE COLLAR
- TRIPLEBURN® TECHNOLOGY
- HOT AIRWASH SYSTEM
- CAN BE FITTED ON A 12mm HEARTH
- CONVECTION STOVE
- HEAT SHIELD



NØRRESKOVEN  
/EURO

NØR  
RES  
KOV  
EN  
EURO



SINGLE DOOR

ELEGANTLY SLENDER WITH SLEEK STAINLESS STEEL FIXTURES, THIS STOVE IS DESIGNED FOR IMPACT WITHOUT BEING OBTRUSIVE; THE NØRRESKOVEN EURO IS PERFECT FOR MODERN AND MINIMALIST INTERIORS.

The Euro is built from steel to ensure it heats up quickly, making this stove perfect for the heart of any living room.



/ DOUBLE DOOR  
/ MULTIFUEL  
/ STAINLESS HANDLE

/ SINGLE DOOR  
/ MULTIFUEL  
/ STAINLESS HANDLE

- DEFRA APPROVED
- NO AIR BRICK REQUIRED
- 5" FLUE COLLAR
- TRIPLEBURN® TECHNOLOGY
- HOT AIRWASH SYSTEM
- CAN BE FITTED ON A 12mm HEARTH
- CONVECTION STOVE
- HEAT SHIELD

HEAT OUTPUT

4kW TO 6kW

NOMINAL

4.6kW



SØNDRSKOVEN

SINGLE DOOR

THE SØNDRSKOVEN TRADITIONAL IS ONE OF OUR BIGGEST MODELS BLENDING IMPRESSIVE HEAT OUTPUT THROUGH INNOVATIVE TRIPLEBURN® PERFORMANCE.

The air sliders allow you to easily adjust heat levels and maintain a comfortable temperature. This family-sized stove is perfect for large or open-plan spaces.



/ DOUBLE DOOR  
/ MULTIFUEL  
/ STAINLESS HANDLE

/ SINGLE DOOR  
/ MULTIFUEL  
/ STAINLESS HANDLE

- TRIPLEBURN® TECHNOLOGY
- HOT AIRWASH SYSTEM
- LARGE VIEWING WINDOW
- HIGH OUTPUT
- CAN BE FITTED ON A 12mm HEARTH
- CONVECTION STOVE

HEAT OUTPUT

7kW TO 10kW

NOMINAL

7.4kW

SØNDRSKOVEN

VIEW OUR  
FILM ON  
**YØU**  
TUBE



**SØNDRERSKOVEN**  
**/EURO**

DOUBLE DOOR

THE FREESTANDING EURO VERSION OF THE SØNDRERSKOVEN MODEL DELIVERS PHENOMENAL OUTPUT AND IMPRESSIVE EFFICIENCY FOR HEATING LARGER AREAS.

Boasting stay-clean glass and a large viewing window, the Sønderskoven is a stunning, efficient addition to any home.



/ DOUBLE DOOR  
/ MULTIFUEL  
/ STAINLESS HANDLE

/ SINGLE DOOR  
/ MULTIFUEL  
/ STAINLESS HANDLE

- TRIPLEBURN® TECHNOLOGY
- HOT AIRWASH SYSTEM
- LARGE VIEWING WINDOW
- HIGH OUTPUT
- CAN BE FITTED ON A 12mm HEARTH
- CONVECTION STOVE

HEAT OUTPUT

7kW TO 10kW

NOMINAL

7.4kW

**SØNDRERSKOVEN**  
**E U R O**



VIEW OUR  
FILM ON  
**YOU**  
TUBE



**SKAGEN**  
/5

**SKA  
GEN  
5**

SINGLE DOOR

MATCHING SOPHISTICATED DESIGN WITH THE HIGHEST LEVELS OF EFFICIENCY, THE SKAGEN 5 IS PACKED WITH GREAT FEATURES.

As well as having a 5" flue collar, the 4.9kW heat output of the Skagen 5 does not require an air brick. A built-in dynamic control cassette also allows the temperature to be easily maintained.

Combining our Tripleburn® technology and Air Wash system, the Skagen 5 is also DEFRA approved for the Clean Air Act.



- / SINGLE DOOR
- / MULTIFUEL
- / STAINLESS HANDLE

- DEFRA APPROVED
- NO AIR BRICK REQUIRED
- 5" FLUE COLLAR
- TRIPLEBURN® TECHNOLOGY
- HOT AIRWASH SYSTEM
- DIRECT AIR OPTION
- DYNAMIC CONTROL PANEL
- CAN BE FITTED ON A 12mm HEARTH
- CONVECTION STOVE
- GOOD CLEARANCE TO COMBUSTIBLE DISTANCE





SKAGEN  
/6

SINGLE DOOR

ADAPTABLE AND INTUITIVE WITH AN INNOVATIVE AIRFLOW PANEL, THE SKAGEN 6 PUTS INSTANT CONTROL AT YOUR FINGERTIPS.

This family stove has an output of up to 9kW while utilising our Tripleburn® technology to maximise fuel efficiency. A choice between wood or other approved solid fuels also allows you to optimise your heating system.



/ SINGLE DOOR  
/ MULTIFUEL  
/ STAINLESS HANDLE

- DEFRA APPROVED
- TRIPLEBURN® TECHNOLOGY
- 6" FLUE COLLAR
- HOT AIRWASH SYSTEM
- DIRECT AIR OPTION
- DYNAMIC CONTROL PANEL
- CAN BE FITTED ON A 12mm HEARTH
- CONVECTION STOVE
- GOOD CLEARANCE TO COMBUSTIBLE DISTANCE

HEAT OUTPUT

5kW TO 9kW

NOMINAL

6kW

SKA  
GEN  
6



**NORDSTRAND  
/5 PORCELAIN**

**NOR  
DST  
RAN  
D5  
PORCELAIN**

SINGLE DOOR

THE DEFRA APPROVED NORDSTRAND 5 PORCELAIN IS A TRADITIONAL CAST IRON NORWEGIAN STYLE STOVE WITH A PORCELAIN ENAMEL FINISH.

The controls allow the heat to be perfectly maintained to the temperature you want using our Tripleburn® technology. This stove flawlessly matches a contemporary style with technology whilst not compromising on the ecological impact.



- / SINGLE DOOR
- / WOOD
- / STAINLESS HANDLE
- / PORCELAIN ENAMEL

- TRIPLEBURN® TECHNOLOGY
- HOT AIRWASH SYSTEM
- NO AIR BRICK REQUIRED
- 5" FLUE COLLAR
- DYNAMIC CONTROL PANEL
- CAST IRON
- ENAMEL FINISH
- DIRECT AIR OPTION
- MULTIFUEL OPTION





**NORDSTRAND  
/5 BLACK**

**NOR  
DST  
RAN  
D5**

**BLACK**

SINGLE DOOR

THIS CAST IRON, DEFRA APPROVED, APPLIANCE IS A MODERN STOVE IN A TRADITIONAL SHELL.

The Nordstrand 5's dynamic controls allow you to fully adjust its heat output with the simple turn of a knob, while its cast iron body will radiate heat long after the flames have gone out.



- / SINGLE DOOR
- / MULTIFUEL
- / STAINLESS HANDLE
- / BLACK PAINT

- TRIPLEBURN® TECHNOLOGY
- HOT AIRWASH SYSTEM
- NO AIR BRICK REQUIRED
- 5" FLUE COLLAR
- DYNAMIC CONTROL PANEL
- CAST IRON
- DIRECT AIR OPTION
- MULTIFUEL OPTION





STRÖMSTAD  
/5

STR  
ÖMS  
TAD  
5

SINGLE DOOR

THIS BEAUTIFULLY SLEEK, CURVED STOVE IS THE EPITOME OF MODERN DESIGN.

The Tripleburn® technology is controlled by subtle sliders on the front of the stove using an operating tool, it can also be used to open and close the door further adding to the futuristic design.



/ MULTIFUEL  
/ HIDDEN HANDLE  
/ BLACK PAINT

- TRIPLEBURN® TECHNOLOGY
- DEFRA APPROVED
- REAR TO COMBUSTIBLE DISTANCE 15mm
- HOT AIRWASH SYSTEM
- NO AIR BRICK REQUIRED
- 5" FLUE COLLAR
- CAN BE FITTED ON A 12mm HEARTH
- DIRECT AIR OPTION
- CONVECTION STOVE

HEAT OUTPUT

3kW TO 7kW

NOMINAL

4.7kW



STRÖMSTAD  
/SJU+ATTA

STR  
ÖMS  
TAD  
SJU  
+AT  
TA

STRÖMSTAD SJU

WHERE ATTENTION TO DETAIL, DESIGN AND PERFORMANCE MEET. THE STRÖMSTAD SJU AND ATTA OFFER EASY TO USE CONTROLS AND ARE HIGHLY RESPONSIVE TO HEAT OUTPUT ADJUSTMENTS.

The Strömstad Sju is the shortest Strömstad model and offers Tripleburn technology allowing for the highest standard of performance, while the futuristic cylindrical design - with a hidden handle - displays top of the range Cleanburn design.

The Strömstad Atta incorporates a log store into the cylindrical body giving this stove all of the features of a modern Scandinavian stove.



/ MULTIFUEL  
/ HIDDEN HANDLE  
/ BLACK PAINT



/ MULTIFUEL  
/ HIDDEN HANDLE  
/ BLACK PAINT

- TRIPLEBURN® TECHNOLOGY
- DEFRA APPROVED
- REAR TO COMBUSTIBLE DISTANCE 15mm
- HOT AIRWASH SYSTEM
- NO AIR BRICK REQUIRED
- 5" FLUE COLLAR
- CAN BE FITTED ON A 12mm HEARTH
- DIRECT AIR OPTION
- CONVECTION STOVE



# CLEANBURN /FEATURES

# FEA TUR ES

	LØVENHOLM MODELS	NØRRESKOVEN MODELS	SØNDRSKOVEN MODELS	SKAGEN 5	SKAGEN 6	NORDSTRAND 5 MODELS	STRÖMSTAD MODELS
HEAT OUTPUT RANGE (kW)	3-5	4-6	7-10	4-8	5-9	4-8	3-7
NOMINAL HEAT OUTPUT (kW)	4.6	4.6	7.4	4.9	6	4.9	4.7
EFFICIENCY ON WOOD (%)	75	73	79	80	79	83	78
EMISSIONS (CO. %)	0.19	0.17	0.52	0.15	0.18	0.37	0.23
AIR BRICK REQUIRED (mm <sup>2</sup> )	No	No	Yes (1320)	No	Yes (550)	No	No
MINIMUM HEARTH THICKNESS (mm)	Freestanding: 12* Recessed: 125	Freestanding: 12* Recessed: 125	Freestanding: 12 Recessed: 125	Freestanding: 12 Recessed: 125	Freestanding: 12 Recessed: 125	Freestanding: 12 Recessed: 125	Freestanding: 12 Recessed: 125
DEFRA APPROVED	Yes*	Yes*	No	Yes	Yes	Yes	Yes
DIRECT AIR KIT AVAILABLE	NA	NA	NA	Yes	Yes	NA	Yes
MULTIFUEL	Standard	Standard	Standard	Standard	Standard	Option	Standard
WOODBURNING	Option	Option	NA	NA	NA	Standard	NA
LOG LENGTH (mm)	300	320	420	400	400	400	250
CLEARANCE DISTANCES TO COMBUSTIBLE MATERIALS (mm)**	Rear: 600 Sides: 450	Rear: 450 Sides: 400	Rear: 700 Sides: 450	Rear: 250 Sides: 200	Rear: 250 Sides: 200	Rear: 700 Sides: 700	Rear: 15*** Sides: 180***
CLEARANCE DISTANCES TO NON-COMBUSTIBLES MATERIALS (mm)**	Rear: 50 Sides: 50 Above: 150	Rear: 50 Sides: 50 Above: 150	Rear: 50 Sides: 50 Above: 150	Rear: 50 Sides: 50 Above: 150	Rear: 50 Sides: 50 Above: 150	Rear: 50 Sides: 50 Above: 150	Rear: 50 Sides: 150
SINGLE DOOR	Standard	Standard	Standard	Standard	Standard	Standard	Standard
DOUBLE DOOR	Option*	Option*	Option	NA	NA	NA	NA
BLACK KNOB SET	Standard	NA	NA	NA	NA	NA	NA
STAINLESS KNOB SET	NA	Standard	Standard	Standard	Standard	Standard	NA

\* Løvenholm and Nørreskoven wood burning models are not available with double doors and cannot be installed on a 12mm hearth when freestanding.

\*\* Distances when installed with a twin walled flue (with the addition of the heat shield with the Strömstad).

\*\*\* Only applicable when freestanding.

CONTACT YOUR DEALER FOR INSTALLATION ADVICE

## 10YR /WARRANTY

Cleanburn authorised dealers provide an extended 10 year warranty.

For full warranty specifications and terms and a list of authorised stockists, please visit [www.hunterstoves.co.uk](http://www.hunterstoves.co.uk)

10  
YR  
WARRANTY

## NORWEGIAN /STANDARD

The Norwegian Standard is probably the most stringent emissions standard in the world. The issuing organisation, Standards Norway, works with bodies like ISO to draft new standards that challenge manufacturers to improve quality and safety - and our engineers like a challenge.

As a result, the Løvenholm is one of the few stoves in Britain to pass the test.



## DEFRA /APPROVED

A number of the stoves in the Cleanburn range are also approved by DEFRA, the Department for the Environment, Food & Rural Affairs.

This means that the Løvenholm, Nørreskoven, Skagen, Nordstrand and Strömstad models are permitted for use in Smoke Control areas as levels of particle emission are so low.

## NOMINAL /OUTPUT

Nominal output is a reasonable heat output that should be achievable without over firing the unit.

Under specific test conditions, the independent test laboratory operate the stove at less than optimum conditions to replicate customer use.

# TRIPLEBURN® /TECHNOLOGY

OUR TRIPLEBURN® TECHNOLOGY INVOLVES THE USE OF THREE STREAMS OF AIR TO MAXIMISE COMBUSTION.

Air is drawn in beneath the fuel, above the fuel (passing in front of the glass door) and behind the fuel. This hot air improves ignition meaning that the wood or smokeless fuel is burned more efficiently.

This efficiency means you'll get a better performance from less fuel so you can heat your living space for less than other options might cost. This also translates to a cleaner atmosphere as there is less carbon monoxide and hydrocarbon travelling up the chimney, making Tripleburn® both economical and environmentally friendly.

## DYNAMIC CONTROL

Dynamic Control is an intuitive innovation which gives the user complete control over the temperature output.

This means that unlike other stoves the output is instantly responsive. The user can alter the simplest of dials and the output changes are instantaneous.



## OPTIMUM SOLID FUEL BURNING CONDITIONS\*

When burning smokeless fuel, the grate is moved to the open position by a single turn of the handle. Air is then directed under the open grate and into the heart of the fire ensuring a clean, efficient burn.

## INDEPENDENTLY CE TESTED AND APPROVED

All of the stoves in the Cleanburn range meet the stringent CE approval test requirements.

## AIR WASH SYSTEM KEEPS THE GLASS CLEAN

Tripleburn® technology does the work for you. A secondary air wash maintains a stream of air between fuel and door, reducing the build-up of carbon deposits on the glass.

\* Not applicable for the Strömstad or Nordstrand as they have fixed grates.

## OPTIMUM WOODBURNING CONDITIONS\*

The Tripleburn® technology improves the ignition of the fuel with a jet of air directed into the heart of the fire. When the grate is in the closed position creating a flat base, it allows a deep bed of ash to build-up – these are the optimum conditions for burning wood.

## DESIGNED FOR AND TESTED UNDER THE INDEPENDENT TESTING STANDARDS

/ Tripleburn® technology

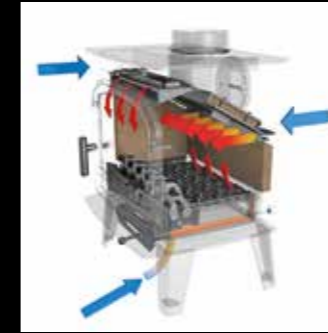
/ Exceptionally hot air wash

/ Dust free, safe and easy riddling\*

/ Multi-fuel grate system for burning wood or solid fuel\*

# FEA TUR ES

## LØVENHOLM / AIR FLOW



## NØRRESKOVEN / AIR FLOW



## SØNDERSKOVEN / AIR FLOW



## SKAGEN + NORDSTRAND / AIR FLOW



## STRÖMSTAD / AIR FLOW



# OPTIONS

## OPTIONAL / DIRECT AIR

With the direct air kit fitted the stove is able to take air externally instead of internally. This is particularly necessary in airtight buildings.

AVAILABLE ON SKAGEN, NORDSTRAND AND STRÖMSTAD MODELS.

## OPTIONAL / FLUE GATHER BOX

For rear flue installations with limited space.

SUITABLE FOR THE LØVENHOLM AND SØNDERSKOVEN.

## OPTIONAL / FRONT EXTENSION

This front extension enables you to place more fuel into your stove to aid with overnight burning.

AVAILABLE FOR LØVENHOLM, NØRRESKOVEN AND SØNDERSKOVEN STOVES.

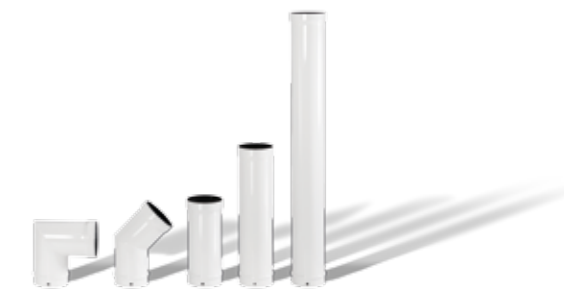
## OPTIONAL / FUEL DAMPER

This allows a greater controllability on the flue draw (not always necessary).

AVAILABLE ON ALL MODELS EXCEPT THE STRÖMSTAD AND NORDSTRAND (ONLY THE NORDSTRAND, BLACK, TOP FLUED MODEL ALLOWS A FLUE DAMPER).

## OPTIONAL / FLUE PIPE

We supply various lengths and options of flue pipe for the Porcelain Nordstrand, 1000mm, 500mm, 300mm, 45° angle, 90° angle.



For further details please download Document J from [www.planningportal.gov.uk/buildingregulations/approveddocuments](http://www.planningportal.gov.uk/buildingregulations/approveddocuments)

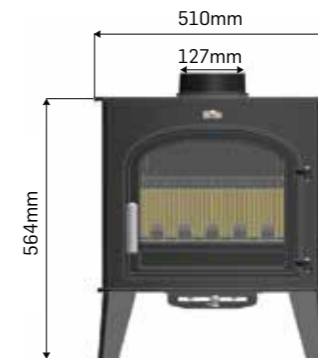
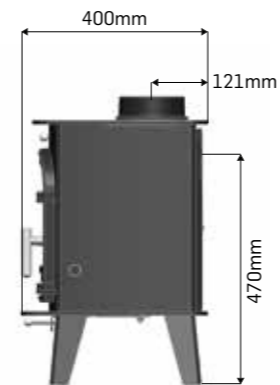
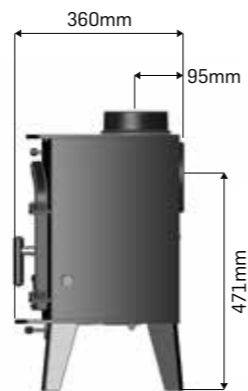
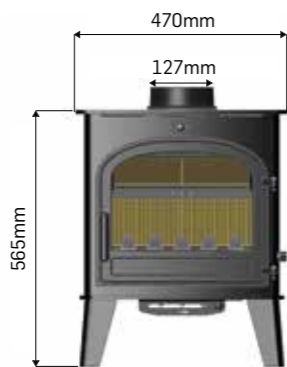


# DIMENSIONS

WIDTH  
HEIGHT  
DEPTH

## LØVENHOLM

470W  
565H  
360D  
95KG

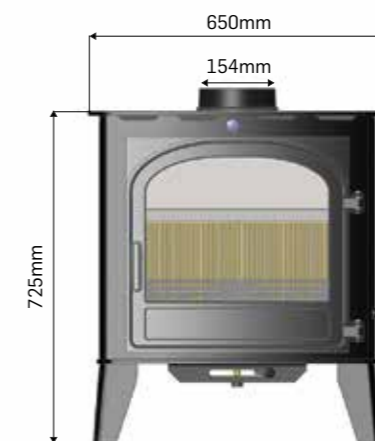
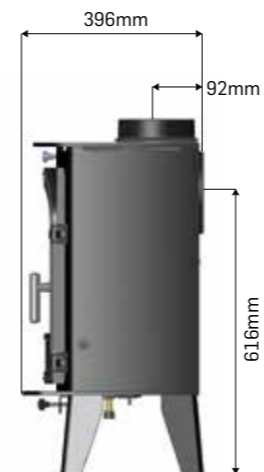
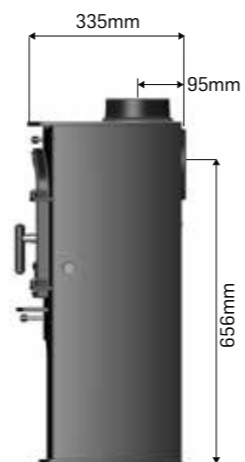
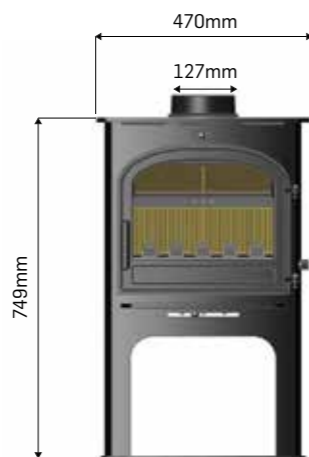


## NØRRESKOVEN

510W  
564H  
400D  
101KG

## LØVENHOLM /EURO

470W  
749H  
335D  
111KG

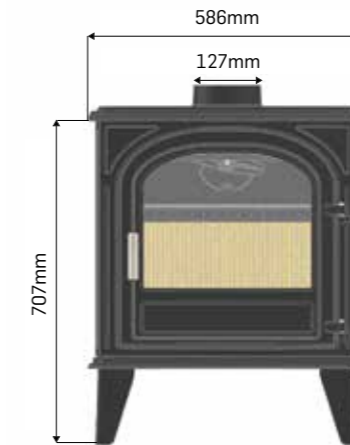
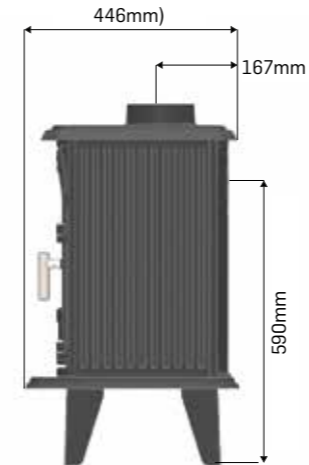
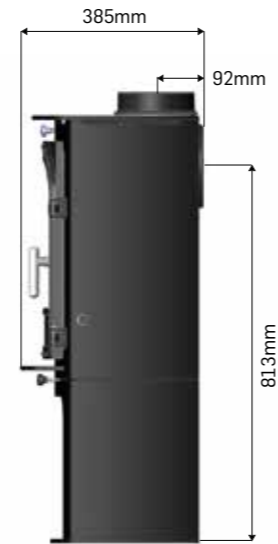
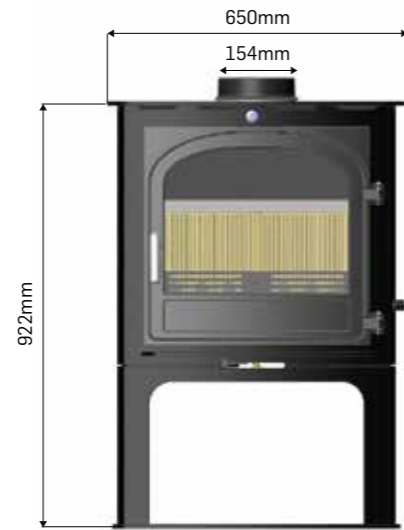


## SØNDRSKOVEN

650W  
725H  
396D  
145KG

SØNDRSKOVEN  
/EURO

650W  
922H  
385D  
176KG

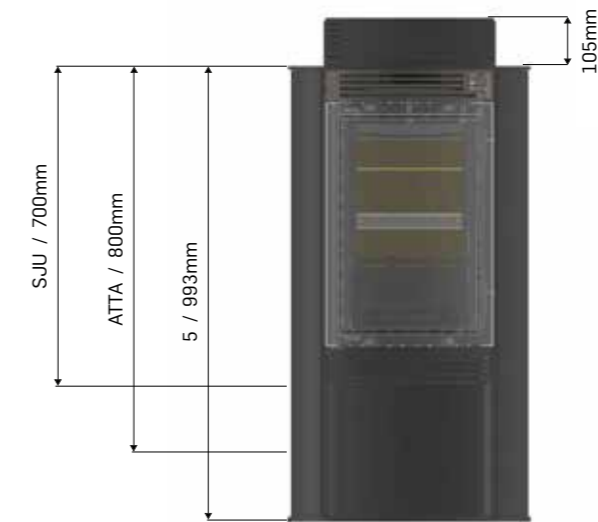
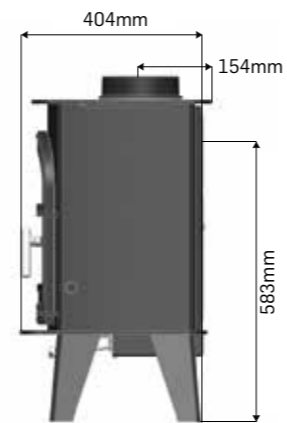
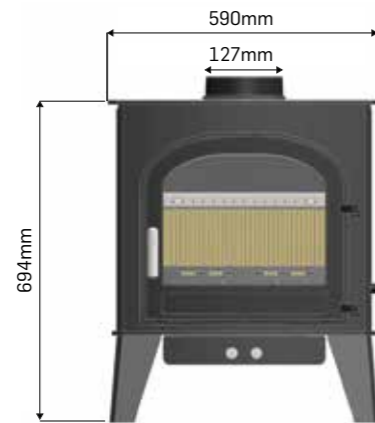


NORDSTRAND  
/5 MODELS

586W  
707H  
446D  
112KG

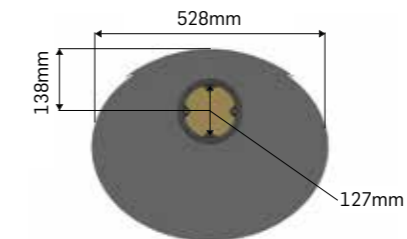
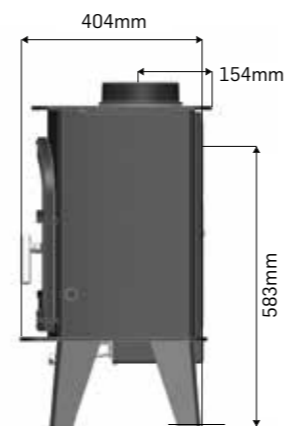
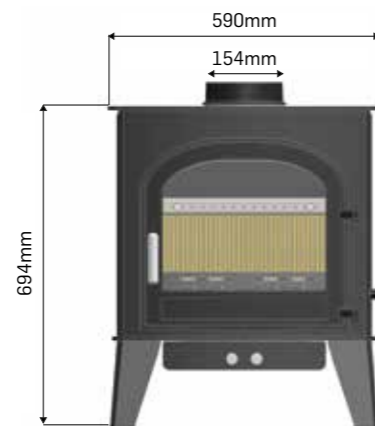
SKAGEN  
/5

590W  
694H  
404D  
125KG



SKAGEN  
/6

590W  
694H  
404D  
125KG



STRÖMSTAD  
/RANGE

528W  
700-993H  
426D  
106-125KG



# CLEANBURN

The Stove House  
Bepton Road  
Midhurst  
GU29 9LU  
01730 810931  
[info@thestovehouseltd.co.uk](mailto:info@thestovehouseltd.co.uk)  
[www.thestovehouseltd.co.uk](http://www.thestovehouseltd.co.uk)

8 EMPEROR WAY EXETER DEVON EX1 3QS

[INFO@HUNTERSTOVES.CO.UK](mailto:INFO@HUNTERSTOVES.CO.UK) [WWW.HUNTERSTOVES.CO.UK](http://WWW.HUNTERSTOVES.CO.UK)

