

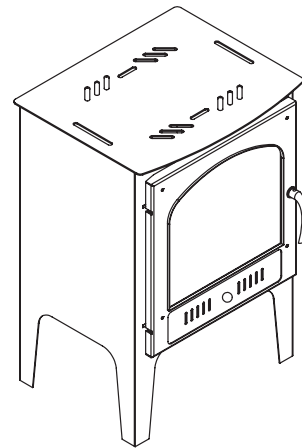


# INSTALLATION AND ASSEMBLING INSTRUCTIONS

## TRADITIONAL BIOETHANOL STOVE

*Included in the package:*

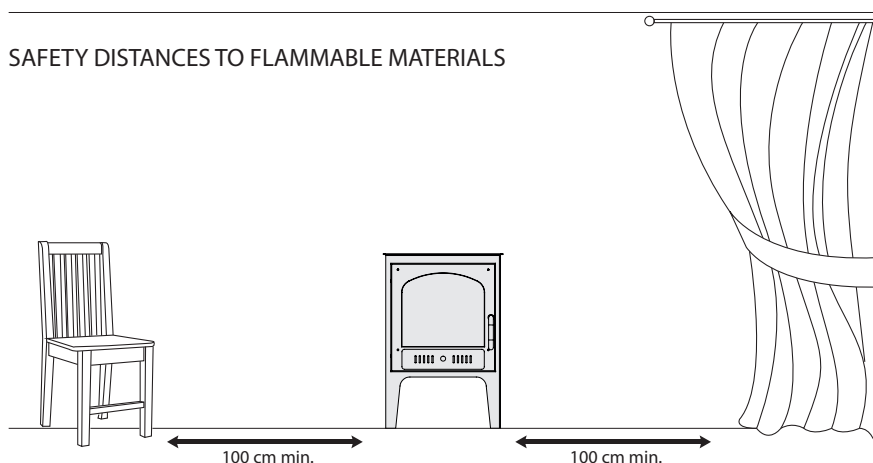
- Fireplace body
- Stove door
- Stove handle
- 750 ml double-layer burner
- Burner lid with built-in fragrance diffuser
- Extinguishing tool
- 2 lock washers and 1 latch for fixing the handle
- 1 Allen key
- Funnel
- Stove pipe including 1x wall plug and screw (optional)
- Assembling Instructions; Safety Instruction & User Manual



**Weight: 28 kg**

### INSTALLATION SAFETY NOTES:

1. This is a FREESTANDING decorative bio ethanol fireplace. It is not meant for cooking or burning any other sources of fuel.
2. Position only on non-flammable, even and solid surfaces. Do not position the fireplace where any draughts could make the flame behave erratically.
3. Remove all packaging carefully, keeping the packing materials away from children.
4. Check the contents of the box against the list above and for any damage incurred in transit.
5. Read carefully before assembling and installing your fireplace.
6. Retain all instructions in a safe place for future reference.
7. Please be sure the surface where you will be placing this appliance can bear its weight.
8. Do not put any flammable items in close proximity to the fireplace (see picture below for safety distances).

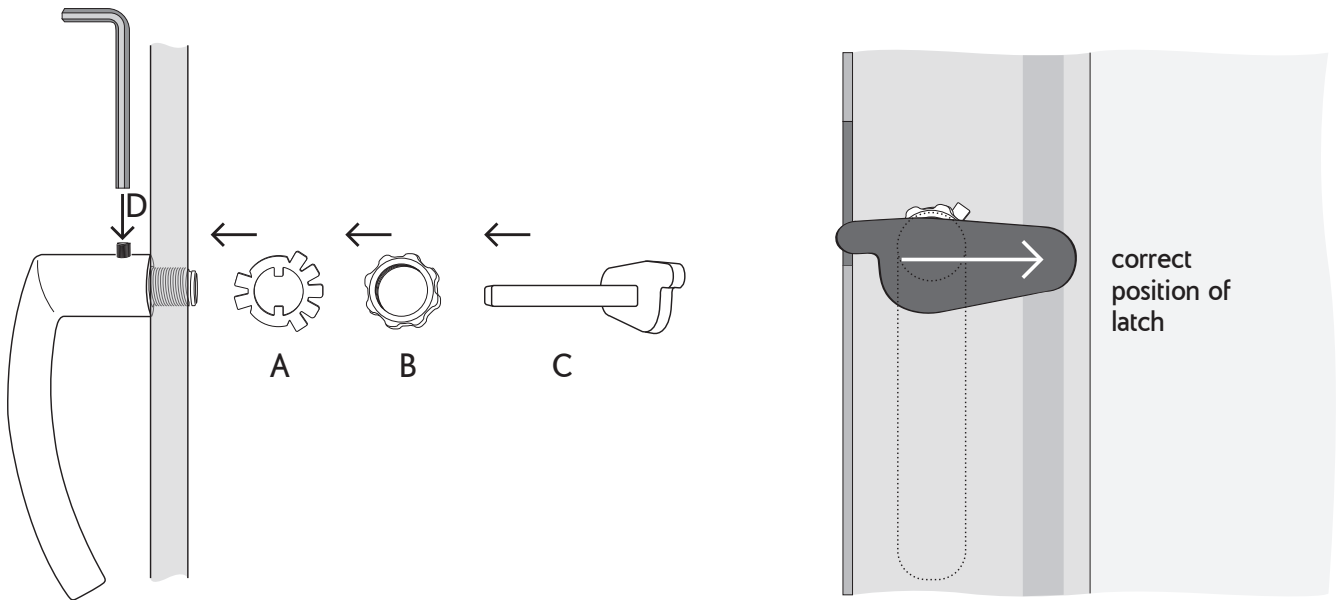


When used as a freestanding unit outside a fireplace opening, position the stove with a minimum clearance area of **one metre** away from highly flammable materials (e.g. curtains, sofas, etc.). The fireplace can only be placed against heat-resistant surfaces and walls; no wallpaper is suitable (if your wall is not heatproof line it with fireproof cement and optional fireproof paint).

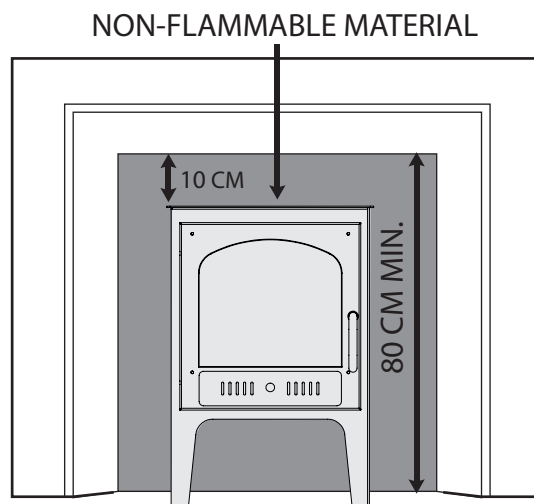
9. When used inside an opening, ensure the housing is fully fireproof and leave a minimum 10 cm gap above the stove to allow the air flow for the vents on the top.
10. When adding real logs underneath, make sure you allow for a minimum 3 cm gap between the logs and the burner box.
11. Ensure the fireplace is securely installed before proceeding to use the appliance.

# INSTALLATION AND ASSEMBLING INSTRUCTIONS

1. Keep children away while setting up the appliance.
2. To fix the handle to the door, first insert the handle in the door. Fix lock washer A in place and screw on lock washer B. Insert the latch (C) in the correct position (see drawing on the right). Use the Allen key to tighten the screw (D) on top of the handle until it is flush with the handle surface.

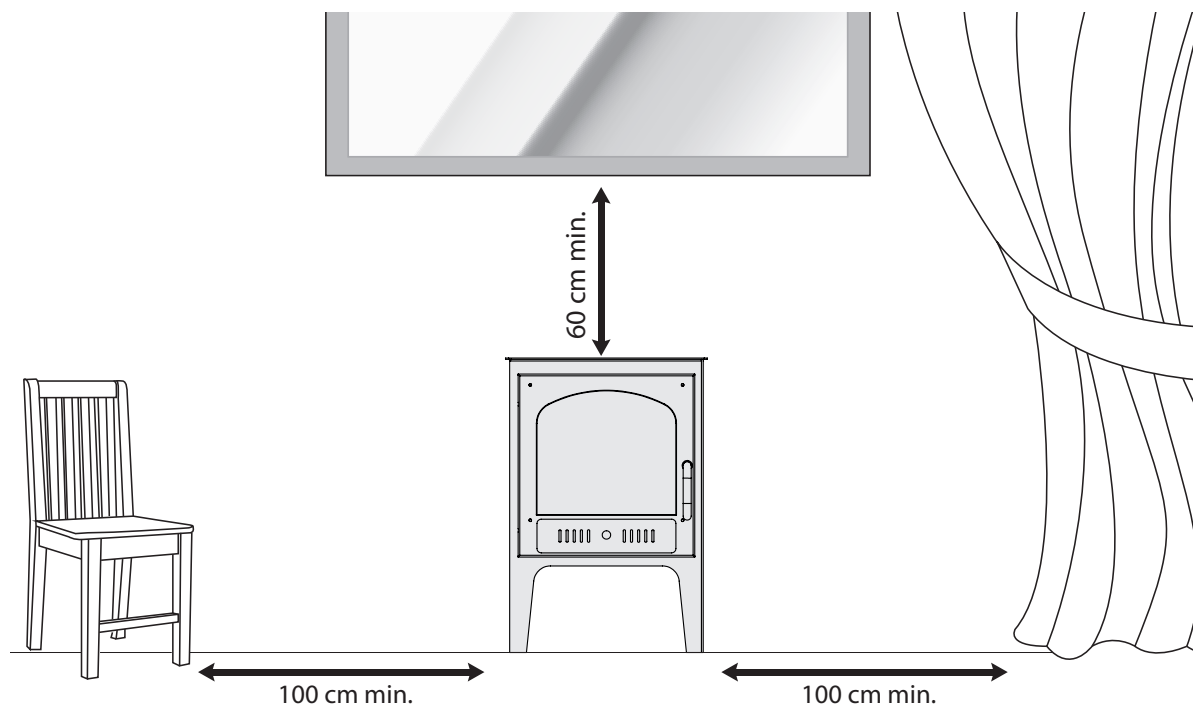


3. Place the burner into the burning chamber of the fireplace body, and then position the lid/fragrance diffuser on top of the stainless steel burner, covering the opening.
4. Arrange any ceramic accessories around the burner, leaving its flame opening clear.
5. Remove the warning stickers from the burner's lid before use.
6. Ensure that enough clearance is provided above the stove. The recommended minimum fireplace opening height is 80 cm.
7. Make sure the housing for the stove is fully fireproof before inserting it in position.



Option 1 – stove inside an opening

8. When used as a freestanding unit outside a fireplace opening, position the stove with a minimum clearance area of **one metre** away from highly flammable materials (e.g. curtains, sofas, etc.). When hanging something on the wall above the stove, make sure you leave a minimum 60 cm gap above it as the wall will get hot. The fireplace can only be placed against heat-resistant surfaces and walls; no wallpaper is suitable (if your wall is not heatproof use fireproof cement and optional fireproof paint).



Option 2 – stove as a freestanding unit against a wall

9. To secure the stove pipe (optional) to the wall, measure the distance for the screw, drill in the hole and fix the screw with the wall plug into the wall.
10. Your fireplace is ready to be enjoyed!

### Bio Fires (Gel Fireplaces Ltd)

2 Abingdon Rd, Kensington, London, W8 6AF, UK

T: +44 (0) 20 7724 1919 / E: info@biofires.com

www.biofires.com / www.gelfireplaces.com