

STEEL STOVES

ACR 
STOVES

MULTIFUEL STOVE RANGE



STOVES YOU CAN REALLY ENJOY



C O N T E N T S

03 | Introduction

04 | Essential stove information

06 | Stoves and the environment

STEEL STOVE RANGE

08 | Earlswood III : 5kw

10 | Earlswood III LS : 5kw

12 | Hopwood : 6kw

14 | Astwood : 7kw

16 | Malvern II : 5kw

18 | Malvern II Classic : 5kw

20 | Malvern II LS : 5kw

22 | Buxton : 7kw

24 | Buxton LS : 7kw

STEEL FIREPLACE INSERT RANGE

26 | Tenbury : 5kw

SPECIFICATIONS AND ACCESSORIES

28 | Steel stove specifications

30 | Steel stove finish options

31 | Installation information

31 | Warranty and stove accessories



M U L T I F U E L S T E E L S T O V E S

With over twenty five years experience designing some of the world's finest woodburning and multifuel stoves we are pleased to introduce a new range of premium quality products - designed and engineered from the ground up to meet the needs of contemporary room heating.

We offer three ranges of stoves - steel, cast iron and our contemporary range (please ask your dealer for additional brochures).

Each range of stoves offers its own distinct style and character. Whichever you choose all of our stoves are built for a lifetime of dependable use.

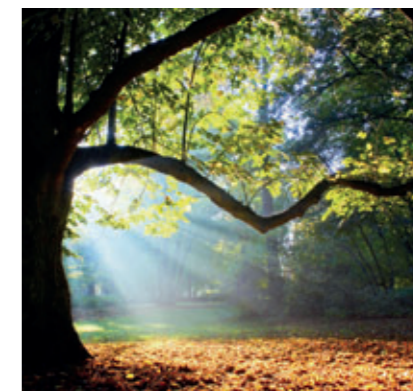
All of our stoves now feature a 10 year warranty and are available in traditional black stove paint finish and a range of

colours depending on the model chosen.

Featuring large ceramic glass door panels you will enjoy a stunning view of the fire, especially as the glass is continually swept clear of combustion deposits by a powerful airwash system.

Cleanburn technology and a lined firebox ensure that you get the maximum efficiency from your fuel supplies - whether you choose to burn wood or solid fuel. Our entire range is 'Smoke Exempt' which means that you can even use our stoves to burn wood in smoke controlled zones.

With outputs optimised to suit most homes requirements our stoves offer warmth, charm and dependability.



Sophisticated on the outside... sophisticated on the inside...

1 SOLID CONSTRUCTION

Our stoves embody 25 years of design experience and are manufactured only from premium grade materials to withstand the high combustion temperatures and for many years of enjoyable dependability.

2 AIRWASH SYSTEM

Combustion can produce deposits that build up on the inside of your stove, causing the glass door panel to become obscured. Our airwash system is designed to sweep away these deposits leaving a clear view of the fire.

3 CLEANBURN TECHNOLOGY

Our highly efficient cleanburn combustion means more heat to your room and less harmful emissions to the atmosphere.

4 LINED FIREBOX

More heat is retained for keeping you warm and our lining system also helps to keep the stove clean on the inside.

5 ADJUSTABLE LOG GUARD

Simple to adjust between single or double height to suit your fuel - whether using logs or loading up with solid fuel.

6 STRAIGHTFORWARD CONTROLS

Front mounted controls make it an easy task to get your stove under fire and to then maintain consistent output.

7 EASY TO MAINTAIN

Our traditional stove paint finishes can be wiped down when cool. A specialist ACR stove paint spray is available should you need to restore your stoves finish.



All of our stoves are designed with a range of sophisticated features and a choice of traditional stove paint finishes. Finishes depend on stove model selected. Please see page 31 for ten year warranty information.

Essential stove information

STOVE CONSTRUCTION

Our steel stove range features stove bodies made from premium grade heavy gauge steel with a solid cast iron door, grate and log guard. We use a heavier gauge of steel than most stoves to ensure many years of service and reliability. A solid cast iron door creates the defining finishing style to this stove range.

OUTPUTS

ACR Stoves produce varying degrees of heat. In order to calculate whether an appliance will be suitable for your room please consult your local dealer for advice. As a general rule of thumb you will need approximately 1 Kw of heat for every 14 cubic metres of room-space (based on an outdoor temperature of 0°C). Measure your room's height, width and depth to obtain a total cubic metres figure and divide by 14. This calculation can be influenced by other factors such as levels of insulation and number of windows, so treat your final figure as a guideline only. Your dealer will be happy to provide you with a more accurate calculation.

SMOKE EXEMPT

Smoke Exempt means that you can now burn wood in designated smoke controlled zones. All the stoves in this brochure are fully approved as Smoke Exempt by DEFRA, this requires that the stove is used in accordance with the users manual. Visit www.defra.gov.uk for further information.



CE CERTIFICATION

In line with current building regulations your installer will need to check that the appliance he is installing is CE approved. All of our stoves are fully CE approved and the appropriate certification is available to your installer by calling ACR Stoves on 0121 706 8266.

DIRECT AIR SUPPLY

Many of our stoves can be connected to a direct air supply. This allows combustion air to be drawn into the stove directly from outside your home. Our direct air kit is designed for optimum performance with our stoves and is available from your local ACR dealer.



Optional direct air supply kit.



Stoves and the environment

Woodburning is a highly efficient way of heating your home. Wood is environmentally friendly as it consumes more carbon dioxide whilst growing as it emits when burning. Throughout the world people are committed to reducing Co² emissions, and by choosing an ACR Stove you can make a difference too. Wood is also one of the few fuels which is renewable in our lifetime.



SEASONING & STORING LOGS

We recommend that our customers select seasoned wood purchased from a sustainable forest management scheme, to ensure that the wood you use will be replaced using reliable methods. For more information please visit www.acrstoves.com.

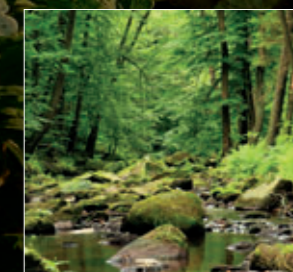
Trees contain a lot of water, freshly cut logs will contain about 50% water and will be difficult to burn and may cause excessive tar deposits on glass panels, stove components and the flue pipe. We recommend that logs should be cut to the required lengths and stored outside in a manner that allows air to circulate, but under cover so

they are protected from rain. If possible, it is always best to season the wood for two years before burning reducing water content to less than 20%.

SOLID FUEL

We do not recommend the use of house coal or solid fuels with a petroleum content of more than 20% as these could cause damage to your stove and invalidate your warranty. You are advised to check the compatibility of the fuel you intend to use with your chosen stove prior to committing to buy. For independent advice on all fuel types, please contact the Solid Fuel Association on 01773 835400.

“We all have an obligation to protect the environment and preserve its future. Making informed energy decisions now will reflect in the environment around us in the years to come.”



Earlswood III 5kw

The multifuel Earlswood III stove has all the wonderful, cosy atmosphere of a traditional woodburning stove - with a difference - being Smoke Exempt means that the Earlswood III can be used for woodburning in smoke controlled zones. So now you can enjoy a real crackling log fire wherever you live - whether the town or country.

The Earlswood III is also suitable for burning a range of smokeless fuels (please see page 6 for more details) and is equipped with a powerful airwash system to help keep the glass door panel clear of deposits, for an uninterrupted view of the fire.



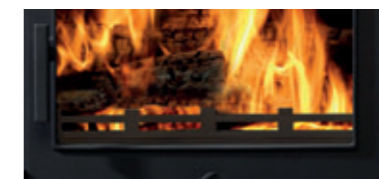
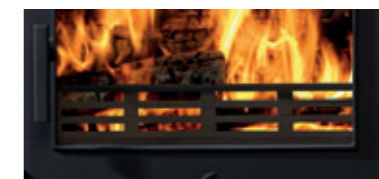
FEATURES AT A GLANCE

FINISH OPTIONS

- High quality steel construction with solid cast iron door for strength and efficient heat transfer
- Smoke Exempt - you can now burn wood in smoke controlled zones
- 5kw nominal output - suitable for a wide range of room sizes
- Multifuel - can be used with wood and smokeless fuel (please see page 6 for more details)
- Large glass window for a relaxing view of the flames
- Very powerful airwash to help keep the glass panel free of deposits
- Adjustable log guard for either wood or solid fuel
- Available in Traditional Black, Cranberry Blush and Buttermilk stove paint finishes
- Brushed steel handle available as an option
- Suitable for use on a 12mm hearth
- No additional room air ventilation required*
- Optional direct air supply kit available (80mm spigot)**
- 10 Year warranty



For further information on steel stove finishes please see page 30.



Log guard adapts from double to single height to accommodate different fuel loads on all Earlswood III stoves.

A brushed steel handle option is also available

*Depending on the age and type of property and should be confirmed with your installer.

**As per Approved Document J of the Building Regulation and HETAS guidelines, room ventilation is still required.

Earlswood III LS 5kw

Benefiting from all the features and solid construction that make the Earlswood III such a charming stove, the LS version is supplied with an integral log storage base. Having a convenient store of logs to hand means fewer trips outside for fuel on dark, wet winter evenings and adds a charming new visual dimension to the stove.



FEATURES AT A GLANCE **FINISH OPTIONS**

- High quality steel construction with solid cast iron door for strength and efficient heat transfer
- Log store pedestal base - keeps logs conveniently to hand
- Smoke Exempt - you can now burn wood in smoke controlled zones
- 5kw nominal output - suitable for a wide range of room sizes
- Multifuel - can be used with wood and smokeless fuel (please see page 6 for more details)
- Large glass window for a relaxing view of the flames
- Very powerful airwash to help keep the glass panel free of deposits
- Adjustable log guard for either wood or solid fuel
- Available in Traditional Black, Cranberry Blush and Buttermilk stove paint finishes
- Brushed steel handle available as an option
- Suitable for use on a 12mm hearth
- No additional room air ventilation required*
- Optional direct air supply kit available (80mm spigot)**
- 10 Year warranty



For further information on steel stove finishes please see page 30.



*Depending on the age and type of property and should be confirmed with your installer.

**As per Approved Document J of the Building Regulation and HETAS guidelines, room ventilation is still required.



A brushed steel handle option is also available





Hopwood **6kw**

The Hopwood multifuel stove features a 6Kw output and with its panoramic wide styling and large glass door brings a new dimension to the traditional stove. Being Smoke Exempt allows you to burn wood in smoke controlled zones - whether town or country.

A range of smokeless fuels can also be burned to give you plenty of fuel options and a reliable way to heat your home (please see page 6 for more details).

The Hopwood is equipped with a powerful airwash to help keep the wide glass window clear of combustion deposits and show off the fire to its fullest effect.



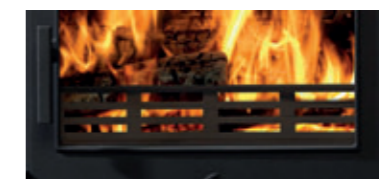
FEATURES AT A GLANCE

FINISH OPTIONS

- High quality steel construction with solid cast iron door for strength and efficient heat transfer
- Smoke Exempt - you can now burn wood in smoke controlled zones
- 6kw nominal output - suitable for a wide range of room sizes
- Multifuel - can be used with wood and smokeless fuel (please see page 6 for more details)
- Panoramic wide glass window for a relaxing view of the flames
- Very powerful airwash to help keep the glass panel free of deposits
- Adjustable log guard for either wood or solid fuel
- Available in Traditional Black, Cranberry Blush and Buttermilk stove paint finishes
- Brushed steel handle as standard - matt black available as an option
- Suitable for use on a 12mm hearth
- Optional direct air supply kit available (80mm spigot)**
- 10 Year warranty



For further information on steel stove finishes please see page 30.



Log guard adapts from double to single height to accommodate different fuel loads on the Hopwood stove.

**As per Approved Document J of the Building Regulation and HETAS guidelines, room ventilation is still required.

Astwood 7kw

Featuring a heat output of up to 7Kw the Astwood is capable of keeping larger rooms cosily warm through long, cold winter nights. Constructed with the same high quality materials and attention to detail that ACR are renowned for - featuring a solid cast iron door and a powerful airwash system to keep the large ceramic glass panel clear of unsightly deposits.

With the ability to burn either wood or solid fuel (please see page 6 for more details), and being Smoke Exempt to allow burning wood in smoke controlled zones, the Astwood is also a very practical way to heat your home.



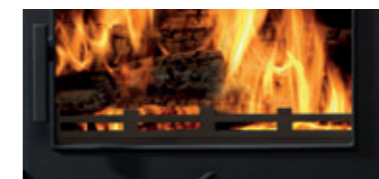
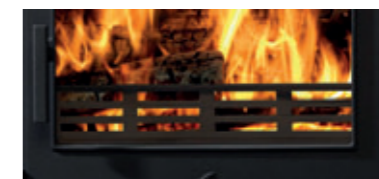
FEATURES AT A GLANCE

- High quality steel construction with solid cast iron door for strength and efficient heat transfer
- Smoke Exempt - you can now burn wood in smoke controlled zones
- 7kw nominal output - suitable for a wide range of room sizes
- Multifuel - can be used with wood and smokeless fuel (please see page 6 for more details)
- Large glass window for a relaxing view of the flames
- Very powerful airwash to help keep the glass panel free of deposits
- Adjustable log guard for either wood or solid fuel
- Available in Traditional Black, Cranberry Blush and Buttermilk stove paint finishes
- Brushed steel handle available as an option
- Suitable for use on a 12mm hearth
- Optional direct air supply kit available (80mm spigot)**
- 10 Year warranty

FINISH OPTIONS



For further information on steel stove finishes please see page 30.



Astwood log guard adapts from double to single height to accommodate different fuel loads.



A brushed steel handle option is also available

**As per Approved Document J of the Building Regulation and HETAS guidelines, room ventilation is still required.

Malvern II 5kw

The Malvern II stove brings a more contemporary style to the traditional stove, with a choice of leg lengths and a pedestal base option. All will keep you beautifully warm and cosy throughout the winter and those chilly summer evenings. Being Smoke Exempt means that the Malvern II can be used for woodburning in smoke controlled zones. So whether you live in the town or the country, you can now enjoy the pleasures of a real woodburning stove.

A range of smokeless fuels can also be burned on the Malvern II (please see page 6 for more details) which is also equipped with a powerful airwash to help keep the glass clean for a fantastic view of the fire.



FEATURES AT A GLANCE

FINISH OPTIONS

- High quality steel construction with solid cast iron door for strength and efficient heat transfer
- Smoke Exempt - you can now burn wood in smoke controlled zones
- 5kw nominal output - suitable for a wide range of room sizes
- Multifuel - can be used with wood and smokeless fuel (please see page 6 for more details)
- Large glass window for a relaxing view of the flames
- Very powerful airwash to help keep the glass panel free of deposits
- Adjustable log guard for either wood or solid fuel
- Standard, extended leg and pedestal base options available
- Available in Traditional Black, Cranberry Blush and Buttermilk stove paint finishes
- Brushed steel handle as standard - matt black available as an option
- Suitable for use on a 12mm hearth
- No additional room air ventilation required*
- Optional direct air supply kit available (80mm spigot)**
- 10 Year warranty



For further information on steel stove finishes please see page 30.



The Malvern II is also available with an extended leg or pedestal base option

*Depending on the age and type of property and should be confirmed with your installer.

**As per Approved Document J of the Building Regulation and HETAS guidelines, room ventilation is still required.



Log guard adapts from double to single height to accommodate different fuel loads on all Malvern II stoves.



Malvern II Classic 5kW

With all the advanced features, build quality and style of the Malvern II stove, the Malvern II Classic introduces a touch of Regency charm with its elegantly sculpted lines. Being Smoke Exempt means that the Malvern II Classic can be used for woodburning in smoke controlled zones. So whether you live in the town or the country, you can now enjoy the pleasures of a real woodburning stove. The Malvern II Classic is equipped with a powerful airwash to help keep the glass clear of unsightly deposits for a fantastic view of the fire and is also suitable for use with a range of smokeless fuels (please see page 6 for more details).



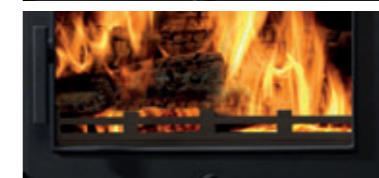
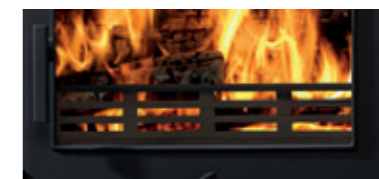
FEATURES AT A GLANCE

FINISH OPTIONS

- High quality steel construction with solid cast iron door for strength and efficient heat transfer
- Smoke Exempt - you can now burn wood in smoke controlled zones
- 5kw nominal output - suitable for a wide range of room sizes
- Multifuel - can be used with wood and smokeless fuel (please see page 6 for more details)
- Large glass window for a relaxing view of the flames
- Very powerful airwash to help keep the glass panel free of deposits
- Adjustable log guard for either wood or solid fuel
- Available in Traditional Black stove paint finish
- Brushed steel handle
- Suitable for use on a 12mm hearth
- No additional room air ventilation required*
- Optional direct air supply kit available (80mm spigot)**
- 10 Year warranty



For further information on steel stove finishes please see page 30.



Malvern II Classic log guard adapts from double to single height to accommodate different fuel loads.

*Depending on the age and type of property and should be confirmed with your installer.

**As per Approved Document J of the Building Regulation and HETAS guidelines, room ventilation is still required.



Malvern II LS 5kW

The Malvern II LS features the same attention to detail and high standard of construction as the standard Malvern II stove, but with the addition of an integral log storage base. Ideal for keeping a supply of fuel conveniently to hand with fewer trips outdoors - the Malvern II LS offers its own distinct style.

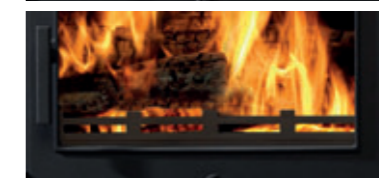
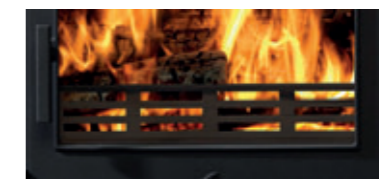


FEATURES AT A GLANCE FINISH OPTIONS

- High quality steel construction with solid cast iron door for strength and efficient heat transfer
- Log store pedestal base - keeps logs conveniently to hand
- Smoke Exempt - you can now burn wood in smoke controlled zones
- 5kw nominal output - suitable for a wide range of room sizes
- Multifuel - can be used with wood and smokeless fuel (please see page 6 for more details)
- Large glass window for a relaxing view of the flames
- Very powerful airwash to help keep the glass panel free of deposits
- Adjustable log guard for either wood or solid fuel
- Available in Traditional Black, Cranberry Blush and Buttermilk stove paint finishes
- Brushed steel handle as standard - matt black available as an option
- Suitable for use on a 12mm hearth
- No additional room air ventilation required*
- Optional direct air supply kit available (80mm spigot)**
- 10 Year warranty



For further information on steel stove finishes please see page 30.



Malvern II LS log guard adapts from double to single height to accommodate different fuel loads.

*Depending on the age and type of property and should be confirmed with your installer.

**As per Approved Document J of the Building Regulation and HETAS guidelines, room ventilation is still required.



Buxton **7kw**

The Buxton stove is capable of generating 7Kw of heat to keep larger rooms warm and snug throughout the cold winter months. Clean, contemporary styling and an extended leg option make this versatile stove perfect for the less traditional room. The Buxton is Smoke Exempt meaning that you can burn wood in smoke controlled zones and can also burn a variety of smokeless fuels (please see page 6 for more details) making it a very practical way of heating your home.



FEATURES AT A GLANCE

FINISH OPTIONS

- High quality steel construction with solid cast iron door for strength and efficient heat transfer
- Smoke Exempt - you can now burn wood in smoke controlled zones
- 7kw nominal output - suitable for a wide range of room sizes
- Multifuel - can be used with wood and smokeless fuel (please see page 6 for more details)
- Large glass window for a relaxing view of the flames
- Very powerful airwash to help keep the glass panel free of deposits
- Adjustable log guard for either wood or solid fuel
- Extended leg option available
- Available in Traditional Black, Cranberry Blush and Buttermilk stove paint finishes
- Brushed steel handle as standard - matt black available as an option
- Suitable for use on a 12mm hearth
- Optional direct air supply kit available (80mm spigot)**
- 10 Year warranty



For further information on steel stove finishes please see page 30.



The Buxton is also available with an extended leg option



Log guard adapts from double to single height to accommodate different fuel loads on all Buxton stoves.

**As per Approved Document J of the Building Regulation and HETAS guidelines, room ventilation is still required.



Buxton LS 7kw

With the same attention to detail and high standard of construction as the standard Buxton stove, the LS model features a convenient integral log storage base, creating a stunning room centrepiece. The Buxton LS is also Smoke Exempt allowing you to burn wood in smoke controlled zones.



FEATURES AT A GLANCE

FINISH OPTIONS

- High quality steel construction with solid cast iron door for strength and efficient heat transfer
- Log store pedestal base - keeps logs conveniently to hand
- Smoke Exempt - you can now burn wood in smoke controlled zones
- 7kw nominal output - suitable for a wide range of room sizes
- Multifuel - can be used with wood and smokeless fuel (please see page 6 for more details)
- Large glass window for a relaxing view of the flames
- Very powerful airwash to help keep the glass panel free of deposits
- Adjustable log guard for either wood or solid fuel
- Available in Traditional Black, Cranberry Blush and Buttermilk stove paint finishes
- Brushed steel handle as standard - matt black available as an option
- Suitable for use on a 12mm hearth
- Optional direct air supply kit available (80mm spigot)**
- 10 Year warranty



For further information on steel stove finishes please see page 30.





Tenbury **5kw**

The Tenbury insert is the perfect solution for enjoying real stove ambience in a standard 16" fireplace opening. Featuring attractive, contemporary styling and straightforward installation with its free floating flue collar and convection outerbox. The Tenbury can take up to logs 25cm long or smokeless fuel (please see page 6 for more details). A powerful airwash helps to keep the glass clear giving you a stunning view of the flames. As a Smoke Exempt appliance, the Tenbury can be used to burn wood in smoke controlled areas making this a very versatile solution to room heating.



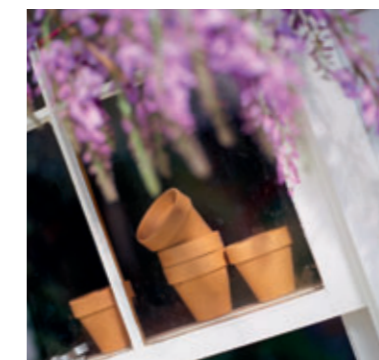
FEATURES AT A GLANCE

- High quality steel construction for strength and efficient heat transfer
- Designed for easy installation into a standard 16" fireplace opening
- Smoke Exempt - you can now burn wood in smoke controlled zones
- 5kw nominal output - suitable for a wide range of room sizes
- Multifuel - can be used with wood and smokeless fuel (please see page 6 for more details)
- Large glass window for a relaxing view of the flames
- Very powerful airwash to help keep the glass panel free of deposits
- Available in Traditional Black stove paint finish
- Brushed steel handle
- No additional room air ventilation required*
- 10 Year warranty

FINISH OPTIONS



For further information on steel stove finishes please see page 30.

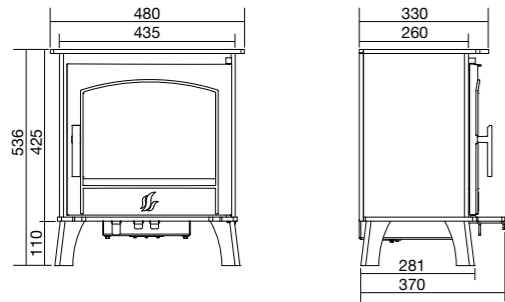


*Depending on the age and type of property and should be confirmed with your installer.

Stove technical specifications - steel stove range

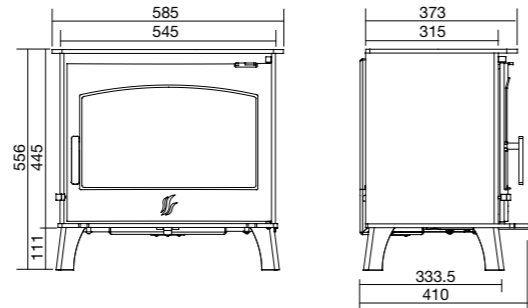
All dimensions are quoted in mm unless stated otherwise.

Earlswood III



Fuel	Wood and Solid Fuel
Nominal Output	5 kw
Net Efficiency	84.3%
Gross Efficiency	76.7%
Max Hearth Temp	Less than 100°C
Weight	80 kg
Max Log Size	35 cm
Flue Diameter	125 mm (inside dia)
Flue Location	Top or Rear
Floor to centre of rear flue outlet	430 mm
Rear of stove to centre top flue outlet	105 mm
Construction	Cast Iron and Steel

Hopwood

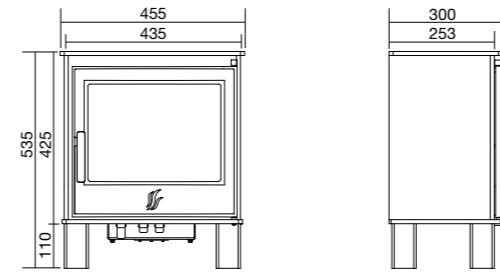


Fuel	Wood and Solid Fuel
Nominal Output	6 kw
Net Efficiency	77%
Gross Efficiency	70%
Max Hearth Temp	Less than 100°C
Weight	85 kg
Max Log Size	45 cm
Flue Diameter	125 mm (inside dia)
Flue Location	Top or Rear
Floor to centre of rear flue outlet	447 mm
Rear of stove to centre top flue outlet	113 mm
Construction	Cast Iron and Steel

Stove technical specifications - steel stove range

All dimensions are quoted in mm unless stated otherwise.

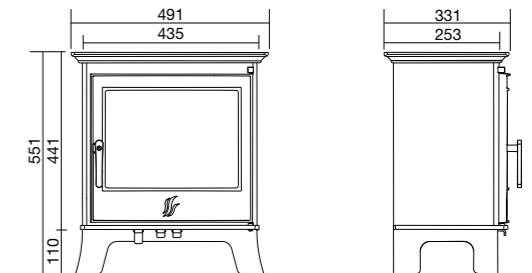
Malvern II



Pedestal base option • Overall height: 750mm • Floor to centre of rear flue: 640mm
Long legs option • Overall height: 726mm • Floor to centre of rear flue: 620mm

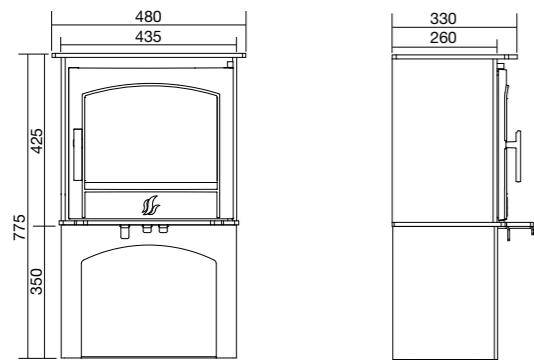
Fuel	Wood and Solid Fuel
Nominal Output	5 kw
Net Efficiency	84.3%
Gross Efficiency	76.7%
Max Hearth Temp	Less than 100°C
Weight	80 kg
Max Log Size	35 cm
Flue Diameter	125 mm (inside dia)
Flue Location	Top or Rear
Floor to centre of rear flue outlet (standard legs)	430 mm
Rear of stove to centre top flue outlet	105 mm
Construction	Cast Iron and Steel

Malvern II Classic



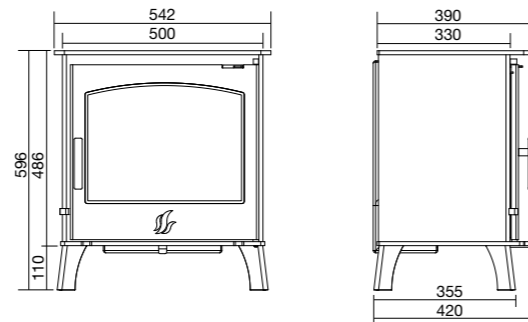
Fuel	Wood and Solid Fuel
Nominal Output	5 kw
Net Efficiency	84.3%
Gross Efficiency	76.7%
Max Hearth Temp	Less than 100°C
Weight	80 kg
Max Log Size	35 cm
Flue Diameter	125 mm (inside dia)
Flue Location	Top or Rear
Floor to centre of rear flue outlet	430 mm
Rear of stove to centre top flue outlet	105 mm
Construction	Cast Iron and Steel

Earlswood III LS



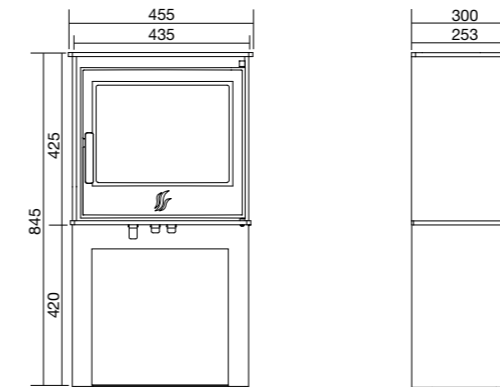
Fuel	Wood and Solid Fuel
Nominal Output	5 kw
Net Efficiency	84.3%
Gross Efficiency	76.7%
Max Hearth Temp	Less than 100°C
Weight	101 kg
Max Log Size	35 cm
Flue Diameter	125 mm (inside dia)
Flue Location	Top or Rear
Floor to centre of rear flue outlet	669 mm
Rear of stove to centre top flue outlet	105 mm
Construction	Cast Iron and Steel

Astwood



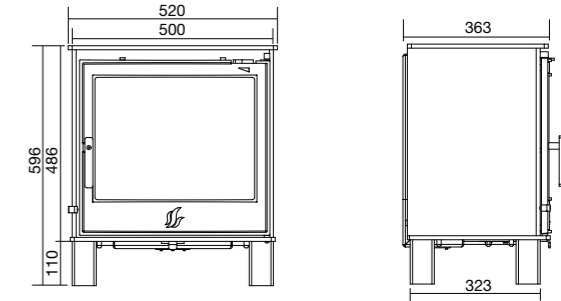
Fuel	Wood and Solid Fuel
Nominal Output	7 kw
Net Efficiency	78%
Gross Efficiency	71%
Max Hearth Temp	Less than 100°C
Weight	95 kg
Max Log Size	42 cm
Flue Diameter	125 mm (inside dia)
Flue Location	Top or Rear
Floor to centre of rear flue outlet	485 mm
Rear of stove to centre top flue outlet	110 mm
Construction	Cast Iron and Steel

Malvern II LS



Fuel	Wood and Solid Fuel
Nominal Output	5 kw
Net Efficiency	84.3%
Gross Efficiency	76.7%
Max Hearth Temp	Less than 100°C
Weight	100 kg
Max Log Size	35 cm
Flue Diameter	125 mm (inside dia)
Flue Location	Top or Rear
Floor to centre of rear flue outlet	740 mm
Rear of stove to centre top flue outlet	105 mm
Construction	Cast Iron and Steel

Buxton



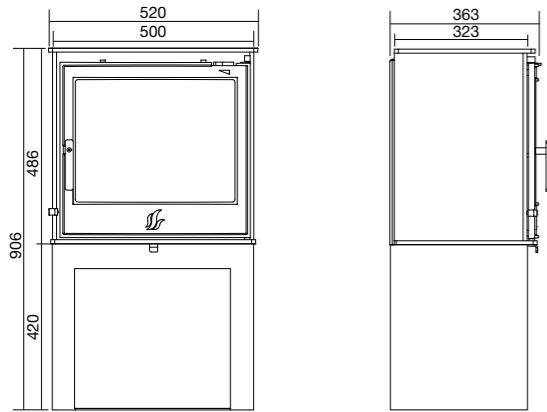
Long legs option • Overall height: 786mm • Floor to centre of rear flue: 675mm

Fuel	Wood and Solid Fuel
Nominal Output	7 kw
Net Efficiency	78%
Gross Efficiency	71%
Max Hearth Temp	Less than 100°C
Weight	95 kg
Max Log Size	42 cm
Flue Diameter	125 mm (inside dia)
Flue Location	Top or Rear
Floor to centre of rear flue outlet (standard legs)	485 mm
Rear of stove to centre top flue outlet	110 mm
Construction	Cast Iron and Steel

Stove technical specifications - steel stove range

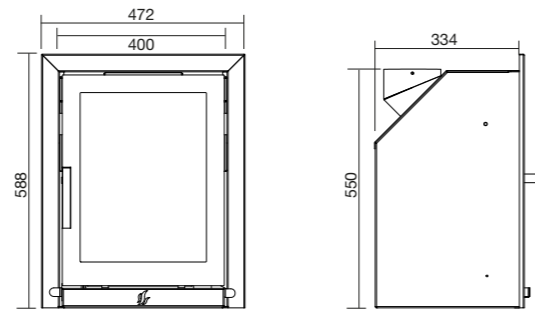
All dimensions are quoted in mm unless stated otherwise.

Buxton LS



Fuel	Wood and Solid Fuel
Nominal Output	7 kw
Net Efficiency	78%
Gross Efficiency	71%
Max Hearth Temp	Less than 100°C
Weight	120 kg
Max Log Size	42 cm
Flue Diameter	125 mm (inside dia)
Flue Location	Top or Rear
Floor to centre of rear flue outlet	795 mm
Rear of stove to centre top flue outlet	110 mm
Construction	Cast Iron and Steel

Tenbury



Fuel	Wood and Solid Fuel
Nominal Output	5 kw
Net Efficiency	82.9%
Gross Efficiency	75.4%
Max Hearth Temp	More than 100°C
Weight	60 kg
Max Log Size	25 cm
Flue Diameter	125 mm (inside dia)
Flue Location	Top
Floor to centre of rear flue outlet	N/A
Rear of stove to centre top flue outlet	75 mm
Construction	Steel

Steel stove finish options

Our steel stove range is available in Traditional Black, Cranberry Blush and Buttermilk stove paint finishes. All finishes can be cleaned by wiping with a damp cloth once the paint finish has initially cured and when the stove has cooled.



Premium quality ACR temperature resistant and environmentally friendly aerosol colour matched stove paints are also available to restore your stoves finish should the need arise. See page 31 for further information.



Traditional Black stove paint
Featured stove: Hopwood



Cranberry Blush stove paint
Featured stove: Buxton



Buttermilk stove paint
Featured stove: Malvern II

Stove installation

The installation must be carried out by a competent person registered with a Government approved competent persons scheme. For example, HETAS Ltd operate a competent person scheme - please visit www.hetas.co.uk to learn more and to find a qualified installer. Alternatively, the installation can be carried out under Local Authority Building Control approval.

Stove warranty information

10 YEAR WARRANTY

All ACR Stoves are covered by a 10 year warranty which covers all stove body castings, it does not include consumable items such as glass and door seals. This 10 year warranty is only applicable when the stove is purchased from one of our recommended retailers.

If a stove from any of our brands is purchased from a non-recommended retailer then only a 12 month warranty will be applicable as outlined below.

All stoves are covered by a 1 year warranty when purchased through a non-recommended retailer. The warranty covers the stove body castings only and does not include consumable items such as grates, firebricks, vermiculite panels, baffles, log guards, door rope and glass.

Any warranty claims should be addressed to your original supplier and accompanied with the date of purchase and serial number of the appliance.



Stove accessory range

KEEPING YOUR STOVE IN TIP-TOP CONDITION

Our stoves are carefully engineered for many years of trouble free service. To keep your stove looking its best and working efficiently we offer a range of products and consumable spare parts specifically designed for maintaining your stove.



ACR TRADITIONAL STOVE PAINT

A premium quality temperature resistant paint designed for keeping the appearance of all stove paint finish stoves looking as-new. The environmentally friendly spray makes application to your stove straightforward and with a heat resistant rating up to 650°C you can be assured of a long lasting quality finish on your stove.

ACR GLASSBRIGHT DOOR GLASS CLEANER

Specially formulated to make cleaning your stoves glass as easy as possible. Unsightly deposits can build up from burning unseasoned wood or non-recommended solid fuels, spoiling the view of the fire. Regular cleaning with Glassbright will assist by dissolving away these stubborn deposits and make cleaning much easier.



DOOR SEALS

It is important that door seals are maintained to ensure your stove is operating at maximum efficiency. Your supplying stove dealer will stock new door rope seals for your ACR stove. We recommend that you replace the seal if the current one is showing excessive signs of wear and tear, or damage.

SPARE PARTS

A wide range of spare parts are available from stock for your ACR stove. Should you encounter a problem and require parts, please contact your supplying dealer.





Astwood Traditional Black finish 7 Kw - see page 14

Your local ACR dealer:

ACR
STOVES



Scan code with your mobile device for more information

ACR Heat Products Limited, Unit 1, Weston Works,
Weston Lane, Tyseley Birmingham B11 3RP, England.



- Tel: 0121 706 8266
- E-mail: enquiries@acrheatproducts.co.uk
- Fax: 0121 706 9182
- www.acrstoves.com

Issue 1 / September 2016

All installations shown in this brochure are for illustrative purposes only. All actual installations must comply with the latest building regulations and ACR Heat Products Ltd installation manuals. Please note that due to limitations of the printing process, colour reproduction of the stoves may vary slightly from those shown. Please consult your dealer for more accurate colour matching. ACR Heat Products Ltd reserves the right to amend any specifications herein or to make any product design changes. The specifications, dimensions and information shown within our brochures are provided for information purposes only and are not binding. With the aim of constantly improving our equipment, all modifications considered necessary may be made without notice.