



2  
0  
2  
0  
-  
2  
0  
2  
1

to sit

# Index

## Office Seating

Page 1:	Colors Classics
Page 2-9:	Classic Eames Pleather
Page 10-11:	Classic Eames Cushion
Page 12-13:	Classic Eames Flat Cushion
Page 14:	Classic Eames Netting
Page 15:	SayL Replica
Page 16-17:	Setu Replica
Page 18:	Capri
Page 19:	Wallstreet
Page 20-21:	Nouvelle I & II
Page 22:	President
Page 23:	LuvItt
Page 24-25:	Big Guys
Page 26-28:	Big & Tall
Page 29:	Follow Me
Page 30:	The Ken Executive
Page 31:	Ergonets
Page 32:	Famous Zira
Page 33:	Black / White nite
Page 34:	Chess
Page 35:	Mesh operator / Joi Stacker
Page 36:	Netting Draughtsman / Operator
Page 37:	Fire / Ice
Page 38:	Chrome Panel
Page 39:	Generic

## Soft Seating

Page 40-41:	Eames Lounger
Page 42:	Glass Coffee Tables
Page 43-45:	JigSaw
Page 46:	Diamond Mesh /Bertoia George Nelson Bench Wassily Breuer
Page 47:	Barcelona
Page 48:	Florence
Page 49:	Le Cube Le Corbusier

## Public Seating

Page 50-51:	PolyUrethane
Page 52:	Heavy Duty Standard Steel
Page 53:	New Chrome Deluxe
Page 54:	Stainless Steel
Page 55:	Die Cast Aluminium
Page 56:	Chair Mats – Everlife

# Tips

## Care / Maintenance

### **To extend the life of your chairs**

- ✓ Adjust the tensioner on your chair accordingly once you first use your chair.
- ✓ Check all screws every six months to ensure all parts remain in correct working order.
- ✓ When cleaning your chair, wipe down with damp clean cloth followed with dry clean cloth – to avoid any excess moisture left on the chair. Do not use any harsh detergents.
- ✓ Direct sunlight can affect the material of your chair.
- ✓ Discolouring can happen on white pleather over time.

## Warranty

- ✓ All items carry a warranty as specified.
- ✓ The warranty covers workmanship and components.
- ✓ The warranty excludes abuse and normal wear and tear. Chairs used 5 days a week, 9 hours a day is considered normal use.

## Please Note

- ✓ There could be a slight colour variation between catalogue and actual product.



## COLORS



## CLASSICS



< 65%  
Local  
content

# Classic Eames Pleather



CH2800GREEN



CH2800ORANGE



CH2801GREEN



CH2801ORANGE



CH2803GREEN



CH2803ORANGE

- \* Tortion tilt mechanism with stabilizing bar for extra strength
- \* Gas height adjustment
- \* Stylish chrome arms – Pleather sleeves available
- \* High Quality Pleather
- \* Chrome Pyramid Base / Chrome sleigh frame
- \* Maximum Weight: 130KG
- \* 5 Year Warranty

# Classic Eames Pleather



CH2800BLUE



CH2801BLUE



CH2803BLUE

- \* Tortion tilt mechanism with stabilizing bar for extra strength
- \* Gas height adjustment
- Stylish chrome arms – Pleather sleeves available
- \* High Quality Pleather
- \* Chrome Pyramid Base / Chrome sleigh frame
- \* Maximum Weight: 130KG
- \* 5 Year Warranty

< 65%  
Local  
content

# Classic Eames Pleather



CH2800BROWN



CH2801BROWN



CH2803BROWN

- \* Tortion tilt mechanism with stabilizing bar for extra strength
- \* Gas height adjustment
- Stylish chrome arms – Pleather sleeves available
- \* High Quality Pleather
- \* Chrome Pyramid Base / Chrome sleigh frame
- \* Maximum Weight: 130KG
- \* 5 Year Warranty

# Classic Eames Pleather



CH2800CAMEL



CH2801CAMEL



CH2802CAMEL



CH2803CAMEL

- \* Tortion tilt mechanism with stabilizing bar for extra strength
- \* Gas height adjustment
- Stylish chrome arms – Pleather sleeves available
- \* High Quality Pleather
- \* Chrome Pyramid Base / Chrome sleigh frame
- \* Maximum Weight: 130KG
- \* 5 Year Warranty

< 65%  
Local  
content

# Classic Eames Pleather



CH2800BLACK



CH2801BLACK



CH2802BLACK



CH2803BLACK

- \* Tortion tilt mechanism with stabilizing bar for extra strength
- \* Gas height adjustment
- Stylish chrome arms – Pleather sleeves available
- \* High Quality Pleather
- \* Chrome Pyramid Base / Chrome sleigh frame
- \* Maximum Weight: 130KG
- \* 5 Year Warranty



# Classic Eames Pleather



CH2800WHITE



CH2801WHITE



CH2802WHITE



CH2803WHITE

- \* Tortion tilt mechanism with stabilizing bar for extra strength
- \* Gas height adjustment
- \* Stylish chrome arms – Pleather sleeves available
- \* High Quality Pleather
- \* Chrome Pyramid Base / Chrome sleigh frame
- \* Maximum Weight: 130KG
- \* 5 Year Warranty

< 65%  
Local  
content

# Classic Eames Pleather



CH2800RED



CH2801RED



CH2803RED

- \* Tortion tilt mechanism with stabilizing bar for extra strength
- \* Gas height adjustment
- Stylish chrome arms – Pleather sleeves available
- \* High Quality Pleather
- \* Chrome Pyramid Base / Chrome sleigh frame
- \* Maximum Weight: 130KG
- \* 5 Year Warranty

# Classic Eames Pleather



CH2800GREY



CH2801GREY



CH2802GREY



CH2803GREY

- \* Tortion tilt mechanism with stabilizing bar for extra strength
- \* Gas height adjustment
- Stylish chrome arms – Pleather sleeves available
- \* High Quality Pleather
- \* Chrome Pyramid Base / Chrome sleigh frame
- \* Maximum Weight: 130KG
- \* 5 Year Warranty

< 65%  
Local  
content

# Classic Eames Cushion



CH3300CAMEL



CH3300BLACK



CH3303CAMEL



CH3301CAMEL



CH3301BLACK



CH3303BLACK

- \* Tortion tilt mechanism with stabilizing bar for extra strength
- \* Gas height adjustment
- Stylish chrome arms – Pleather sleeves available
- \* High Quality Pleather
- \* extra thick seat and back Cushioning with high density foam
- \* Chrome pyramid base / Chrome sleigh frame
- \* Maximum weight: 130KG
- \* 5 Year Warranty

# Classic Eames Cushion



CH3300WHITE



CH3300GREY



CH3301WHITE



CH3303WHITE



CH3303GREY



CH3301GREY

- \* Tortion tilt mechanism with stabilizing bar for extra strength
- \* Gas height adjustment
- Stylish chrome arms – Pleather sleeves available
- \* High Quality Pleather
- \* Extra thick seat and back Cushioning with high density foam
- \* Chrome pyramid base / Chrome sleigh frame
- \* Maximum weight: 130KG
- \* 5 Year Warranty

< 65%  
Local  
content

# Classic Eames Flat Cushion



CH4400BLACK



CH4400WHITE



CH4401BLACK

CH4403BLACK



CH4401WHITE

CH4403WHITE

- \* Tortion tilt mechanism with stabilizing bar for extra strength
- \* Gas height adjustment
- Stylish chrome arms – Pleather sleeves available
- \* High Quality Pleather
- \* Chrome Pyramid Base / Chrome sleigh frame
- \* Maximum Weight: 130KG
- \* 5 Year Warranty

# Classic Eames Flat Cushion



CH4400BROWN



CH4401BROWN



CH4403BROWN

- \* Tortion tilt mechanism with stabilizing bar for extra strength
- \* Gas height adjustment
- Stylish chrome arms – Pleather sleeves available
- \* High Quality Pleather
- \* Chrome Pyramid Base / Chrome sleigh frame
- \* Maximum Weight: 130KG
- \* 5 Year Warranty

< 65%  
Local  
content

# Classic Eames Netting



CH2700BLACK



CH2700WHITE



CH2701BLACK

CH2703BLACK



CH2701WHITE

CH2703WHITE

- \* Tortion tilt mechanism with stabilizing bar for extra strength
- \* Gas height adjustment
- Stylish chrome arms – Netting sleeves available
- \* High Quality Netting
- \* Chrome Pyramid Base / Chrome sleigh frame
- \* Maximum Weight: 130KG
- \* 5 Year Warranty



# SayL Replica

< 65%  
Local  
content



CHW6101WHITE



CHB6101BLACK



- \* Multi functional mechanism
- \* Gas height adjustment
- \* Adjustable arms
- \* Adjustable lumbar support
- \* Black nylon base with black frame / Aluminium base with white frame
- \* Mesh back / Fabric seat
- \* Maximum Weight: 130KG
- \* 5 Year Warranty

< 65%  
Local  
content

# SayL Replica



CHB6001BLACK



CHB6001ORANGE



CHB6001BLUE



- Swivel, tilt, lock and tensioner
- \* Gas height adjustment
- \* Black nylon base with black nylon frame
- \* Elastic mesh seat and back with reinforced PVC lining for Durability and seat comfort
- \* Maximum weight: 130KG
- \* 5 Year Warranty

# Satu Replica

< 65%  
Local  
content



CHW6001GREEN



CHW6001WHITE

- Swivel, tilt, lock and tensioner
- \* Gas height adjustment
- Aluminium base with white nylon frame
- \* Elastic mesh seat and back with reinforced PVC lining for Durability and seat comfort
- \* maximum weight: 130KG
- \* 5 Year Warranty

< 65%  
Local  
content

# Capri



CH5600CAMEL



CH5600BLACK



CH5600GREY

- Swivel, tilt lock and tensioner
- \* Gas height adjustment
- \* Chrome PU padded arms
- \* Chrome base
- Stylish design back and seat
- \* Maximum Weight: 120KG
- \* 5 Year Warranty

# Wallstreet



CHW4700DGREY



CHB4700LGREY



CHB4701LGREY



CHB4703LGREY



CHW4703DGREY



CHW4701DGREY

- 2 lever executive swivel, tilt lock and tensioner \* Gas height adjustment \* with or without headrest
- Stylish padded arms \* black frame with light grey pleather / white frame with dark grey pleather
- \* Chrome sleigh frame \* maximum weight: 120KG \* 5 Year Warranty

< 65%  
Local  
content

# Nouvelle I



CH6200BLACK



- \* Tortion tilt mechanism with stabilizing bar for extra strength
- \* Gas height adjustment
- \* Aluminium pyramid base
- \* Black pleather
- \* walnut wooden frame
- \* maximum weight: 130KG
- \* 5 Year Warranty

# Nouvelle II

< 65%  
Local  
content



CH6201CAMEL



- Swivel \* Gas height adjustment \* Aluminium pyramid base \* Camel pleather
- \* White wooden frame \* Maximum Weight: 130KG \* 5 Year Warranty

< 65%  
Local  
content

# President



CH6300BLACK



CH6300CAMEL

- Frontal pivot mechanism \* Gas height adjustment \* Aluminium base \* Walnut wooden frame
- \* High Quality Pleather \* Maximum Weight: 130KG \* 5 Year Warranty





CH4900BLACK



CH4903BLACK

- \* Frontal pivot mechanism
- \* Gas height adjustment
- \* Genuine leather front
- \* Chrome arms with padding
- \* Chrome base / sleigh frame
- \* Maximum Weight: 130KG
- \* 5 Year Warranty

< 65%  
Local  
content

# Big Guys



CH3400BLACK



CH3500BLACK



CH3503BLACK

- HEAVY DUTY Swivel, tilt, lock and tensioner \* Gas height adjustment \* HB – Aluminium colour
- Base and arms (nylon) \* Black pleather with white stitching \* Visitor - Chrome sleigh frame
- \* Maximum weight: HB -150KG, VISITOR –130KG \* 5 Year Warranty

# Big Guys

< 65%  
Local  
content



CH3500BROWN



CH3400BROWN



CH3503BROWN

- HEAVY DUTY Swivel, tilt, lock and tensioner \* Gas height adjustment \* HB – Aluminium colour
- \* Base and arms (Nylon) \* Brown pleather with white stitching \* Visitor - Chrome sleigh frame
- \* Maximum Weight: HB - 150KG, VISITOR - 130KG \* 5 Year Warranty

< 65%  
Local  
content

# Big & Tall - 500 Pounder Netting



CH5800BLACK



- \* HEAVY DUTY Swivel, tilt, lock and tensioner
- \* Gas height adjustment CLASS 4
- \* Extra thick fabric seat
- Special netting backrest
- \* Lumbar adjustment
- \* Titanium coated metal base with 60R castors
- \* Height adjustable flip arms
- \* Maximum weight: 227KG
- \* 5 Year Warranty

# COMFORT - Big & Tall - 400 Pounder

< 65%  
Local  
content



CH5500BLACK



- HEAVY DUTY Swivel, tilt, lock and tensioner
- \* Gas height adjustment
- \* Black bonded leather
- \* Comfortable puffy padding
- \* Height adjustable flip arms
- \* Chrome base
- \* Maximum Weight: 185KG
- \* 5 Year Warranty

< 65%  
Local  
content

## Big & Tall - 500 Pounder



CH5300BLACK



CH5300BROWN



- HEAVY DUTY swivel, tilt, lock and tensioner
- \* Chrome gas height adjustment
- \* Chrome arms with extra thick padding
- \* Chrome base
- \* maximum weight: 227KG
- \* Black/Brown Bonded Leather
- \* 5 Year Warranty

# Follow Me



CH5000BLACK



CH5001BLACK

- Synchro mechanism 3 position locking
- \* Gas height adjustment
- \* Special netting
- \* Height adjustable headrest
- \* 3D armrest with PU padding
- \* Moveable backrest - Follow me
- \* Moulded foam seat
- \* Black nylon base
- \* Maximum weight: 120KG
- \* 5 Year Warranty

# The Ken Executive



CH5200BLACK



CH5201BLACK



CH5203BLACK

- Synchro mechanism – three position locking
- \* Gas height adjustment
- \* Breathable netting back, seat and headrest, visitor with mesh seat
- \* Adjustable arms with PU padding
- \* Black with silver nylon base
- \* Adjustable Lumbar Support
- \* Chrome sleigh frame
- \* Maximum Weight: 120KG
- \* 5 Year Warranty



# Ergonet

< 65%  
Local  
content



HCH1900BLACK



HCH3600BLACK



HCH3601BLACK



HCH3603BLACK

## • ERGONET3 HEADREST AND OPERATOR

- \* Swivel, tilt, lock and tension
- \* Gas height adjustment
- \* Lumbar adjustment
- \* Adjustable headrest
- \* Adjustable PU padded armrest
- \* Stylish designer backrest
- \* Netting back and mesh seat
- \* Maximum weight: 130KG
- \* 5 Year Warranty

## • ECO AND VISITOR

- Swivel
- \* Spring back
- \* Gas height adjustment
- \* Black / Silver base / Chrome sleigh frame
- \* Stylish design backrest
- \* Netting back and mesh seat
- \* Maximum Weight: 110KG
- \* 5 Year Warranty

< 65%  
Local  
content

## Famous Zira



CH1401



CH1403



- Top quality
- \* Swivel, tilt, lock and tensioner
- \* Gas height adjustment
- \* Black nylon arms
- \* Black nylon base / chrome sleigh frame
- \* Maximum weight: 120KG
- \* 5 Year Warranty

# White / Black Nite

< 65%  
Local  
content



CHW4300BLACK



CHB4300BLACK



CHW4303BLACK



CHB4303BLACK

- \* Swivel, tilt, lock and tensioner
- \* Gas height adjustment
- \* Black / White frame
- \* Black netting back
- \* Black mesh fabric seat
- \* Black / White base
- \* Chrome sleigh frame
- \* Maximum Weight: 120KG
- \* 5 Year Warranty

< 65%  
Local  
content

# Chess



CH4502WHITE



CH4502BLACK



CH4503BLACK



CH4503WHITE

- \* Swivel only
- \* Gas height adjustment
- \* Black / white nylon back and seat
- \* Silver or White base / Arm frame with padding
- \* Chrome arm frame
- \* Maximum Weight: 110KG
- \* 5 Year Warranty

# Mesh Operator



CH4802BLACK

- \* Permanent spring back
- \* Gas height adjustment
- \* Black fabric seat
- \* Black netting back
- \* Stylish arms
- \* Black nylon base
- \* Maximum Weight: 110KG
- \* 1 Year Warranty

# Joi Stacker



S STACKER100

- \* Black powder coated frame
- \* Black contract fabric
- \* With plastic back cover
- \* Maximum Weight: 100KG
- \* 5 Year Warranty

< 65%  
Local  
content

# Netting Draughtsman / Operator



CH5704GREEN



CH5704GREY



CH5704BLUE



CH5702GREEN



CH5702BLUE



CH5702GREY

\* Swivel, tilt, lock and tensioner   \* Gas height adjustment   \* Netting back and seat   \* NO ARMS  
\* Chrome pyramid base   \* Draughtsman kit available   \* Maximum Weight: 130KG   \* 5 Year Warranty

## Fire



CH2600BLACK



CH2603BLACK

- Swivel, tilt, lock and tensioner \* Gas height adjustment \* Black nylon arms
- \* Black nylon base / Black powder coated sleigh frame \* Maximum Weight: 120KG \* 2 Year Warranty

## Ice



CH1700BLACK



CH1703BLACK

- Swivel, tilt, lock and tensioner \* Gas height adjustment \* Nylon arms rest
- \* Chrome base / Chrome arm frame with padding \* Netting back & netting / Pleather seat
- \* Maximum weight: 120KG \* 2 Year Warranty

< 65%  
Local  
content

# Chrome Panel



CH1900BLACK



CH1903BLACK

- Swivel, tilt, lock and tensioner
- \* Gas height adjustment
- \* Perforation on back and seat
- \* Chrome arms with padding
- \* Chrome base / Chrome sleigh frame
- \* Maximum Weight: 120KG
- \* 2 Year Warranty



# Generic



CH5400BLACK



CH5400WHITE



CH5401BLACK



CH5401WHITE

\* Swivel, tilt, lock and tensioner \* Gas height adjustment \* Stylish chrome arms - Pleather sleeves available  
\* High quality pleather \* Chrome base \* Maximum Weight: 120KG \* 3Year Warranty

< 65%  
Local  
content

# Eames Lounger



JOYS-2898 BLK



JOYS-2898 BLK-F



JOYS-2898/WHT-F

JOYS-2898/WHT

- \* Black, white or Tan Soft man made leather
- \* 7 ply laminated veneer in walnut colour
- \* Metal frame with five star swivelling base
- \* Lounger with footstool
- \* 5Year Warranty

# Eames Lounger

< 65%  
Local  
content



JOYS-2898 TAN



JOYS-2898 TAN-F

- \* Black, white or Tan Soft man made leather
- \* 7 ply laminated veneer in walnut colour
- \* Metal frame with five star swivelling base
- \* Lounger with footstool
- \* 5Year Warranty

< 65%  
Local  
content

# Glass Tables



SSQ2000



SSQ2100



SSQ1700



SSQ1800

- SSQ2000CLEAR: Stainless steel frame – clear tempered glass – height adjustable
  - SSQ2100CLEAR: 600mm x 600mm Stainless steel Glass coffee table
  - SSQ1700CLEAR: 1200mm x 600mm chrome double glass coffee table
  - SSQ1800CLEAR: 600mm x 600mm chrome double glass coffee table
- \*5Year Warranty

# JigSaw



- Soft man made leather
- \* Chrome frame
- \* Various configurations can be made with side, middle and footstool pieces

< 65%  
Local  
content

# JigSaw



SSQ1903WHITE



SSQ1903RED



SSQ1902WHITE



SSQ1902RED



SSQ1901WHITE



SSQ1901RED

- White, red, black or cream Soft man made leather
- \* Chrome frame
- \* Various configurations can be made with side, middle and footstool pieces
- \* 5Year Warranty

# JigSaw

< 65%  
Local  
content



SSQ1903BLACK



SSQ1903CREAM



SSQ1902BLACK



SSQ1902CREAM



SSQ1901BLACK



SSQ1901CREAM

- White, red, black or cream Soft man made leather
- \* Chrome frame
- \* Various configurations can be made with side, middle and footstool pieces
- \* 5Year Warranty

< 65%  
Local  
content

# Diamond Mesh Bertoia / George Nelson Bench / Wassily Breuer



JOYS-7119/BLK



JOYS-1106



JOYS-7117/BLK

- Diamond mesh Bertoia: Stainless steel frame, black seat cushion
- George Nelson bench: wooden bench with powder coated base. Available in 152cm / 182cm
- Wassily Breuer: stainless steel frame – hard black PVC

\*5Year Warranty



# Barcelona

< 65%  
Local  
content



\* Black or white Soft man made leather    \* Footstool, 1, 2, 3 seater  
\* Stainless Steel Frame    \* 5Year Warranty

< 65%  
Local  
content

# Florence



JOYS-2009/RED1



JOYS-2009/BLK1



JOYS-2009/RED3

\* Black or red Soft man made leather \* 1, 2 and 3 seater available  
\* 5Year Warranty

# LeCube LeCorbusier

< 65%  
Local  
content



JOYS-2011A/BLK1



JOYS-2011A/WHT1



JOYS-2011A/WHT2



JOYS-2011A/BLK3

\* Black or white soft man made leather \* Chrome frame \* Deluxe size \* 1, 2 and 3 seater  
\* 5Year Warranty

< 65%  
Local  
content

# PolyUrethane Public Seating



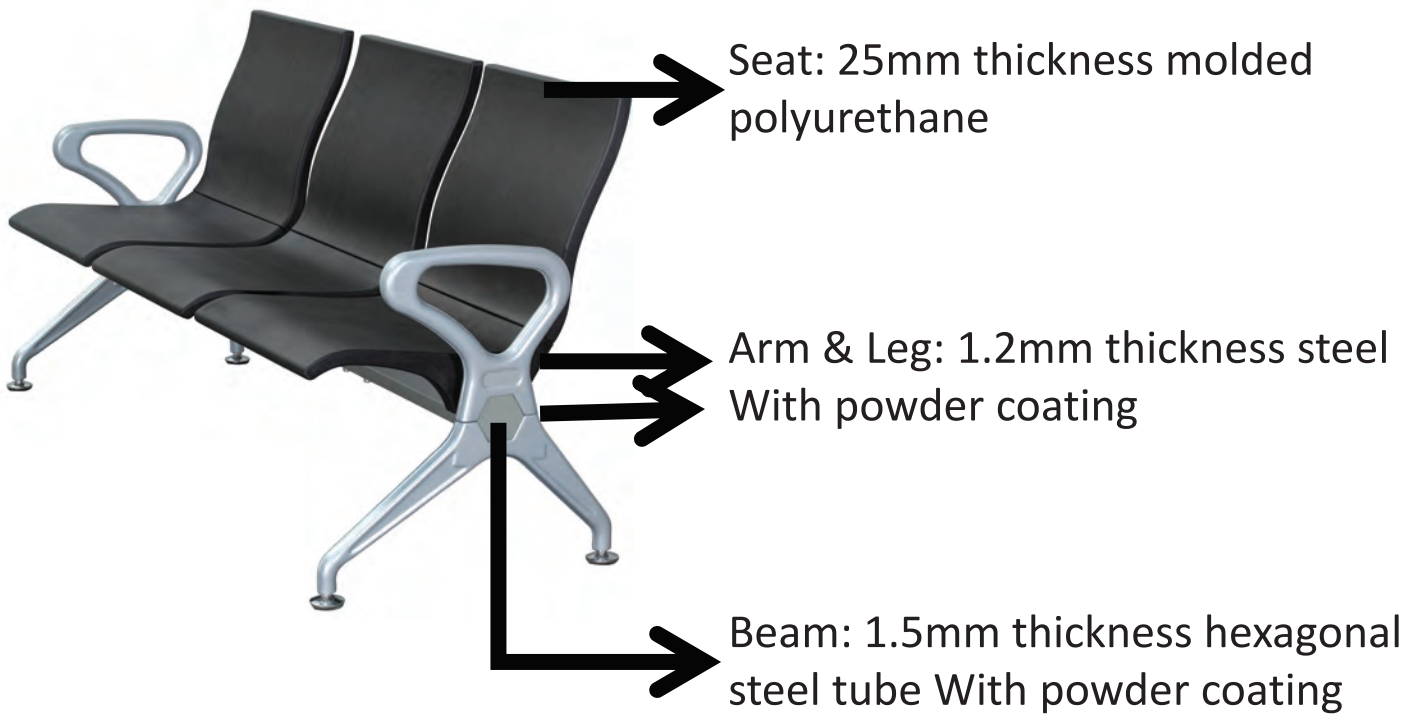
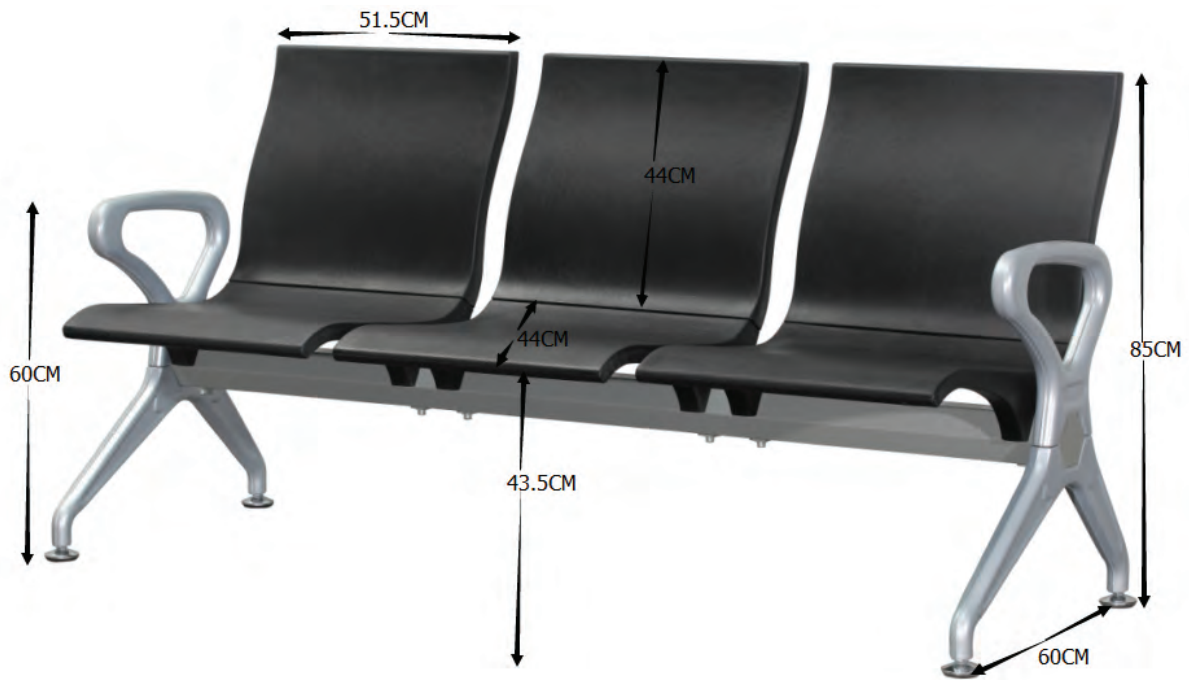
Special Colours: Please inquire

Minimum Quantities: Please inquire

\* 5Year Warranty

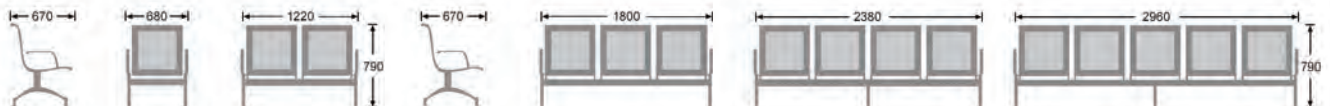
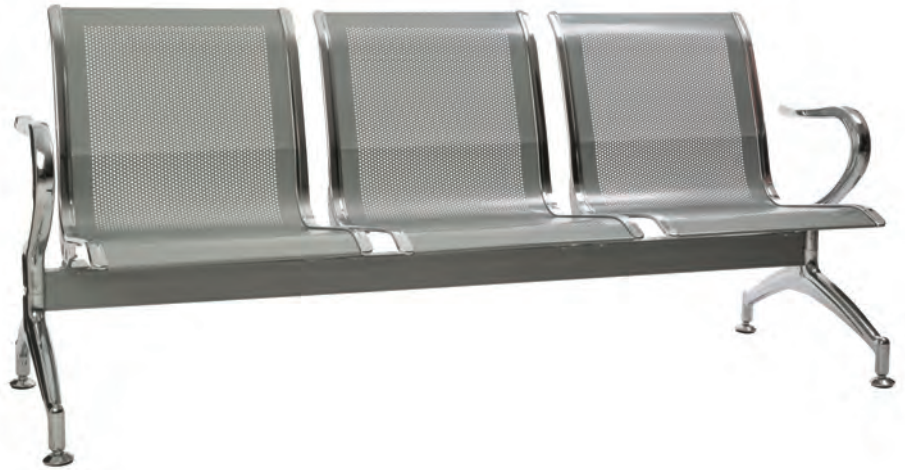
# PolyUrethane Public Seating

< 65%  
Local  
content



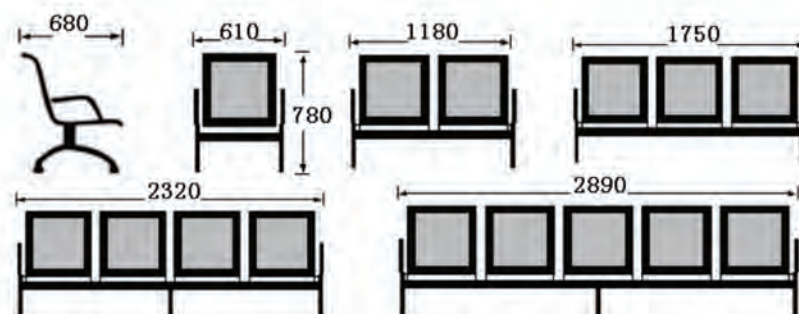
< 65%  
Local  
content

# Heavy Duty Standard Steel Public Seating



- Cross beam 2.0mm steel, aluminium powder coated: 2.0 x 80 x 40mm steel tube
  - Arms, legs and edges heavy duty 1.5mm steel tubing - double chrome plated
- Seats 1.2mm steel aluminium powder coated \* Knock down in boxes \* Available in 1,2,3,4 and 5 seater
- NOT for outdoor use \* Black pleather cushions, screw into floor connectors, and tea tables available
  - \* 5Year Warranty

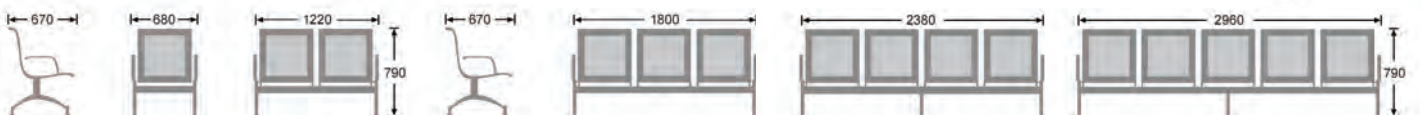
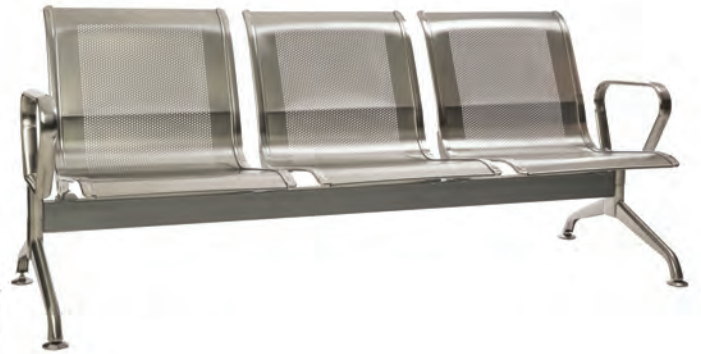
# New Chrome Deluxe Public Seating



- Cross beam 2.0mm triangle steel tube, aluminium powder coated tube \* Arms and legs heavy duty 1.2mm steel tubing - Double chrome plated \* Seats 1.3mm cold rolled steel with surface powder coating
- Knock down in boxes \* Available in 1,2,3,4 and 5 seater \* NOT for outdoor use
- Black pleather cushions, screw into floor connectors, and tea tables available
- \* 5Year Warranty

< 65%  
Local  
content

# Stainless Steel Public Seating



\* Cross beam 2.0mm steel, aluminium powder coated: 2.0mm x 80 x 40mm steel tube

\* Arms and legs heavy duty 1.5mm stainless steel tubing: 201 stainless steel

\* Seats 1.2mm brushed stainless steel: 201 stainless steel with stainless steel sides \* Knock down in boxes

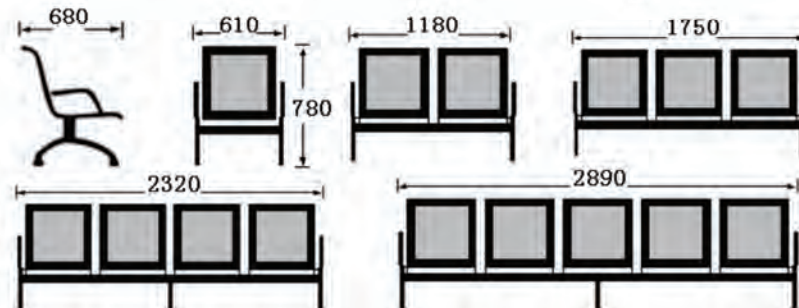
\* Available in 1,2,3,4 and 5 seater \* INDOOR & OUTDOOR use - must be under cover

\* Black pleather cushions, screw into floor connectors available \* 5Year Warranty



# Die Cast Aluminium Public Seating

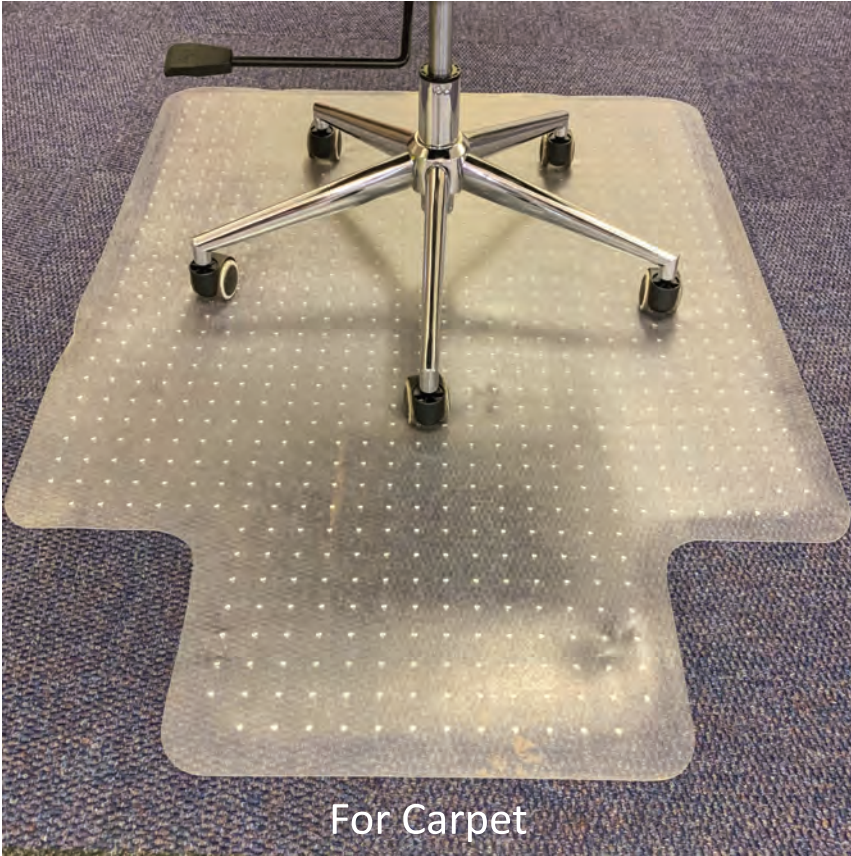
< 65%  
Local  
content



- 1.8mm triangle steel tube sprayed with static powder after anti rust treatment
- Arms & legs: die-cast aluminium alloy with powder coating \* Seat: 304 stainless steel after stamping And welding, surface brushed treatment \* INDOOR & OUTDOOR use - must be under cover
- \* Black pleather cushions available \* 5Year Warranty

< 65%  
Local  
content

# EverLife



For Carpet



For Floor

- BPA free \* Transparent \* 100% recyclable \* Durable \* Easy to clean with normal detergents
- Non toxic \* PVC \* Guaranteed not to crack, curl, dimple or discolour in normal use
- Mat size: 90 x 120 x 0.22cm \* 5Year Warranty

# Sit & Stand

< 65%  
Local  
content



Separate Leaflet



**joi**  
**to sit**