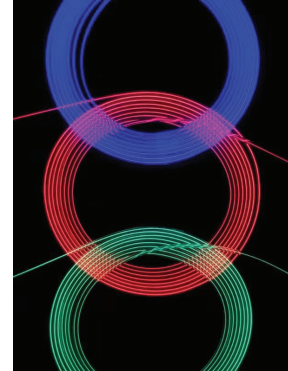




Single Color Exobrite



This compact water-resistant lighting element has an integrated laser and controller with fiber directly attached. Versalume's Exobrite is available in three primary laser colors: red, green and blue and comes standard with 3 meters of 2.0 mm thick lighted fiber cable containing Corning® Fibrance® Light-Diffusing Fiber. The Exobrite has three modes of operation: continuous, blink and fade. The mode of operation is selected by a push button located on the front side of the module. The Exobrite is powered by an electrical USB cable which can be plugged into a USB wall charger or battery.

Product Attributes

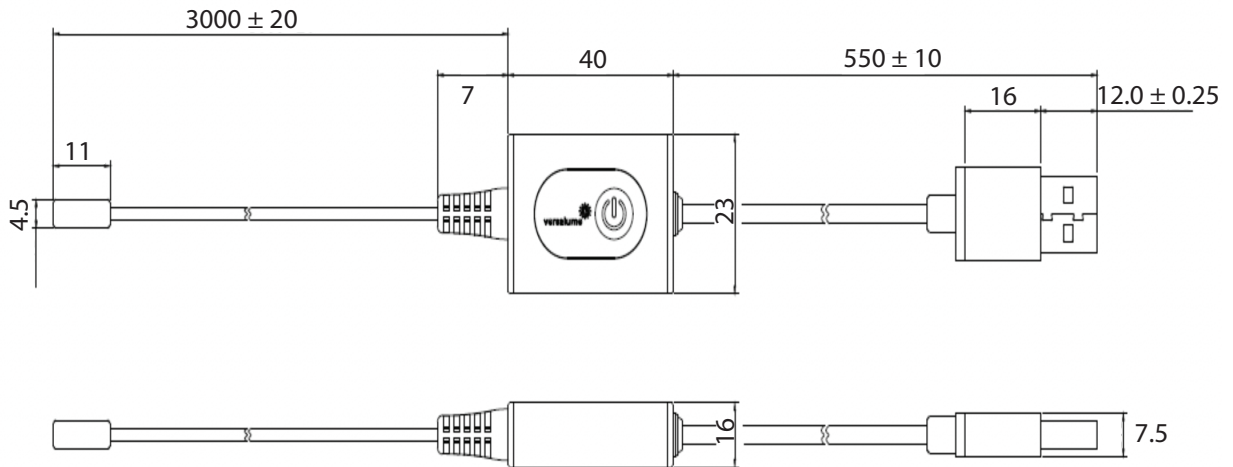
Optical and Electrical

Laser Color	Red	Green	Blue
Nominal Wavelength	639 nm	515 nm	450 nm
Laser Power Output	<100 mW	<25 mW	<70mW
Laser Mode	Continuous Wave		
Operating Voltage Input	5.0 VDC		
Electrical Cable Length	18 inch		
Fiber Cable Length	3 m		
Control Box	Water-resistant (IP-65 rated)		
Circuit Protection	Static, Surge, Reverse Polarity		

Environmental and Regulatory

Regulatory (pending)	CDRH Class IIIa (IEC Class 3R) Laser, ROHS Compatible
MTBF	8000 hrs at 25°C Nominal
Case Operating Temp Range	-10 to + 50°C
Storage Temperature Range	-20 to + 60°C

Mechanical Drawings



Note

Never use the Exobrite in the event that the fiber is damaged or broken.


versalume
See the world in a different light

3964 Rivermark Place, Suite 151
Santa Clara, CA 95054
+1. 408. 813. 7434
www.versalume.com

For product questions
please email us at:
inquiries@versalume.com