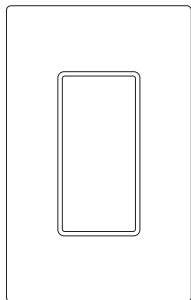




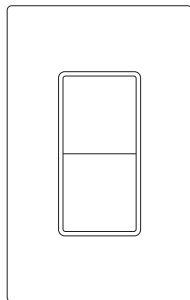
PBS-721/ PBS-722

Push-Button Switch

INSTALLATION INSTRUCTIONS



PBS-721

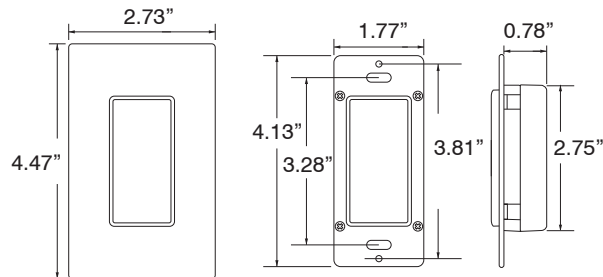


PBS-722

OVERVIEW

The PBS-721/PBS-722 is a single/dual pole push-button switch designed to fit in a standard NEMA wall box. This sleek, low profile switch provides low voltage momentary contact signal for a power pack or BMS to activate the operation of electrical load, such as lighting, fan, or HVAC via pressing the button manually. Pluggable type terminal block makes low voltage wiring connection a quick and easy job. A screwless snap-on wall plate is supplied to create modern, high-end appearance for all kinds of commercial spaces.

DIMENSIONS



SPECIFICATIONS

Model No.	PBS-721x	PBS-722x
x : Color code	W - White, I - Ivory	
Control signal	Momentary contact	
Output	1-pole	2-pole
Op. temperature	-14°F ~ 122°F (-10°C ~ 50°C)	
Dimensions	4.13"H x 1.77"W x 1.04"D (w/mounting plate)	



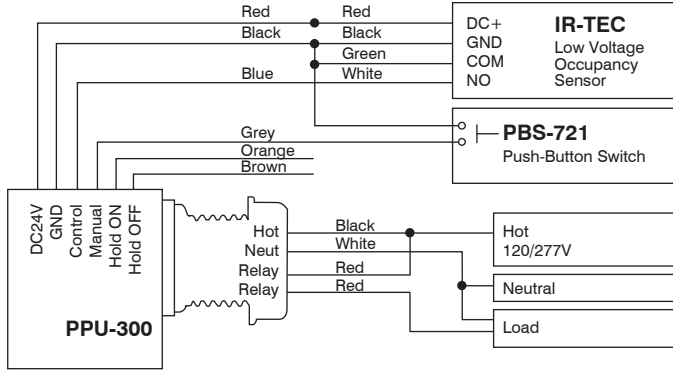
www.irtec.com

P/N: 058-72100-001

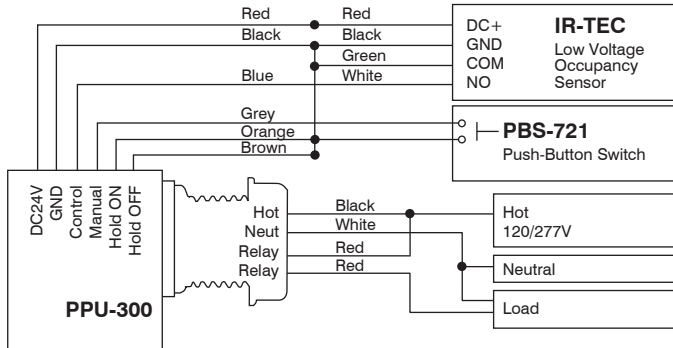
This product may be covered by one or more U.S. patents or patent applications.
Please visit www.irtec.com for more information.

WIRING DIAGRAMS

A. Auto-ON, Auto-Off with Manual Override



B. Manual-ON, Auto-Off (Vacancy Sensing Control)



For more complicated control wiring diagram, please contact IR-TEC team member.

C. Manual-ON with Bi-level Switching Control

