

# SYLVANIA Luminaires

## ValueLED™ Lumen Selectable Retrofit Doorkit

### Application

The ValueLED Retrofit Doorkit is offered in three sizes (1'x4', 2'x2', and 2'x4') and is ideal for illuminating offices, retail spaces, hallways, multipurpose rooms and hospitality areas.

### Benefits and Features

- Lumen selectability increases the versatility of this product
- All models are DLC Premium listed to maximize rebate opportunities
- Ideal in retrofit applications, offering up to 61% energy savings when compared to traditional lighting technologies
- Additional energy savings can be obtained by taking advantage of the standard 0-10V dimming driver
- Up to 125 LPW
- 3500K, 4000K or 5000K color temperature
- 0-10V Dimmable
- CRI >80

### Electrical

- 120-277V<sub>AC</sub>
- THD <20%
- Power Factor >90%

### Rated Life

- 50,000 hours (L<sub>70</sub>) @25°C

### Warranty

- 5-year

### Ambient Operating Range

- -4°F to +120°F (-20°C to +50°C)
- 32°F to +120°F (0°C to +50°C) (Emergency Versions)

Item #
Type
Project
Notes
Date



### Wattage Comparison

Traditional Source	Traditional System Wattage	LED System Wattage	Energy Savings
2x28W T8	49	20	59%
2x32W T8	56	25	55%
3x28W T8	64	30	53%
3x32W T8	75	34	55%
4x28W T8	97	38	61%
4x32W T8	116	45	61%

### Certifications and Listings

- cULus
- RoHS
- FCC
- DLC Premium

### Installation

- Retrofit luminaire is designed to be installed in existing troffers



## Ordering Guide

RDORKIT	5A	S	/ XX	UNX	D	8	XX	/ XX	U	/ WH	-
Product Name	Generation	Lumen Selectable	Wattage	Voltage	Dimming	CRI	Color Temp	Size	Mounting	Color/Finish	Options
RDORKIT =	5A =	S =	30 = 20, 25, or 30W	UNV =	D = 0-10V	8 = >80	35 = 3500K	14 = 1x4 ft	U = Universal	WH = White	Blank = no option
Retrofit DoorKit	Generation 5A	Lumen Selectable	34 = 25, 30, or 34W	120-277V			40 = 4000K	22 = 2x2 ft	Mounting		E = Emergency Battery Back-up
			45 = 34, 38, or 45W				50 = 5000K	24 = 2x4 ft			

## Ordering Information

Item Number	Ordering Abbreviation	Wattage (W)	Input Voltage (V)	Dimming	CRI	Color Temperature (CCT)	Total Fixture Lumens	LPW	DLC	Options
61525	RDORKIT5AS/030UNVD835/22U/WH	20, 25 or 30	120-277	0-10V	>80	3500K	2500, 3125 or 3750	125	Prm	-
61526	RDORKIT5AS/030UNVD840/22U/WH	20, 25 or 30	120-277	0-10V	>80	4000K	2500, 3125 or 3750	125	Prm	-
61527	RDORKIT5AS/030UNVD850/22U/WH	20, 25 or 30	120-277	0-10V	>80	5000K	2500, 3125 or 3750	125	Prm	-
61528	RDORKIT5AS/034UNVD835/24U/WH	25, 30 or 34	120-277	0-10V	>80	3500K	3100, 3750 or 4250	125	Prm	-
61529	RDORKIT5AS/034UNVD840/24U/WH	25, 30 or 34	120-277	0-10V	>80	4000K	3100, 3750 or 4250	125	Prm	-
61530	RDORKIT5AS/034UNVD850/24U/WH	25, 30 or 34	120-277	0-10V	>80	5000K	3100, 3750 or 4250	125	Prm	-
61531	RDORKIT5AS/045UNVD835/24U/WH	34, 38 or 45	120-277	0-10V	>80	3500K	4250, 4750 or 5600	125	Prm	-
61532	RDORKIT5AS/045UNVD840/24U/WH	34, 38 or 45	120-277	0-10V	>80	4000K	4250, 4750 or 5600	125	Prm	-
61533	RDORKIT5AS/045UNVD850/24U/WH	34, 38 or 45	120-277	0-10V	>80	5000K	4250, 4750 or 5600	125	Prm	-
61534	RDORKIT5AS/030UNVD835/14U/WH	20, 25 or 30	120-277	0-10V	>80	3500K	2500, 3125 or 3750	125	Prm	-
61535	RDORKIT5AS/030UNVD840/14U/WH	20, 25 or 30	120-277	0-10V	>80	4000K	2500, 3125 or 3750	125	Prm	-
61536	RDORKIT5AS/030UNVD850/14U/WH	20, 25 or 30	120-277	0-10V	>80	5000K	2500, 3125 or 3750	125	Prm	-
61696	RDORKIT5AS/030UNVD835/22U/WH/E	20, 25 or 30	120-277	0-10V	>80	3500K	2500, 3125 or 3750	125	Prm	Emergency Battery Back-Up
61697	RDORKIT5AS/030UNVD840/22U/WH/E	20, 25 or 30	120-277	0-10V	>80	4000K	2500, 3125 or 3750	125	Prm	Emergency Battery Back-Up
61698	RDORKIT5AS/030UNVD850/22U/WH/E	20, 25 or 30	120-277	0-10V	>80	5000K	2500, 3125 or 3750	125	Prm	Emergency Battery Back-Up
61699	RDORKIT5AS/034UNVD835/24U/WH/E	25, 30 or 34	120-277	0-10V	>80	3500K	3100, 3750 or 4250	125	Prm	Emergency Battery Back-Up
61700	RDORKIT5AS/034UNVD840/24U/WH/E	25, 30 or 34	120-277	0-10V	>80	4000K	3100, 3750 or 4250	125	Prm	Emergency Battery Back-Up
61701	RDORKIT5AS/034UNVD850/24U/WH/E	25, 30 or 34	120-277	0-10V	>80	5000K	3100, 3750 or 4250	125	Prm	Emergency Battery Back-Up
61702	RDORKIT5AS/045UNVD835/24U/WH/E	34, 38 or 45	120-277	0-10V	>80	3500K	4250, 4750 or 5600	125	Prm	Emergency Battery Back-Up
61703	RDORKIT5AS/045UNVD840/24U/WH/E	34, 38 or 45	120-277	0-10V	>80	4000K	4250, 4750 or 5600	125	Prm	Emergency Battery Back-Up
61704	RDORKIT5AS/045UNVD850/24U/WH/E	34, 38 or 45	120-277	0-10V	>80	5000K	4250, 4750 or 5600	125	Prm	Emergency Battery Back-Up
61705	RDORKIT5AS/030UNVD835/14U/WH/E	20, 25 or 30	120-277	0-10V	>80	3500K	2500, 3125 or 3750	125	Prm	Emergency Battery Back-Up
61706	RDORKIT5AS/030UNVD840/14U/WH/E	20, 25 or 30	120-277	0-10V	>80	4000K	2500, 3125 or 3750	125	Prm	Emergency Battery Back-Up
61707	RDORKIT5AS/030UNVD850/14U/WH/E	20, 25 or 30	120-277	0-10V	>80	5000K	2500, 3125 or 3750	125	Prm	Emergency Battery Back-Up

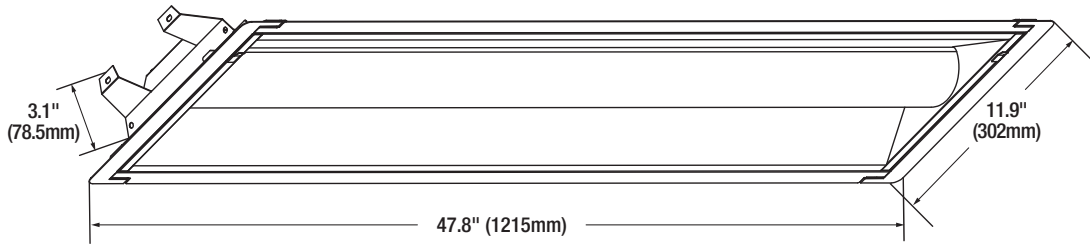
## Photometric Data

		8 ft Mounting Height			10 ft Mounting Height			12 ft Mounting Height		
		On Center Luminaire Spacing								
		8'x10'	10'x10'	10'x12'	8'x10'	10'x10'	10'x12'	8'x10'	10'x10'	10'x12'
1'x4' 30W	RDORKIT5A/030UNVD835/14G/WH	46.2/1.5	38.5/1.3	34.7/1.7	45.0/1.6	37.6/1.4	33.4/1.4	43.4/1.6	36.5/1.5	32.1/1.3
	RDORKIT5A/030UNVD840/14G/WH									
	RDORKIT5A/030UNVD850/14G/WH									
	RDORKIT5A/030UNVD835/14G/WH/E									
	RDORKIT5A/030UNVD840/14G/WH/E									
RDORKIT5A/030UNVD850/14G/WH/E										
2'x2' 30W	RDORKIT5A/030UNVD835/22G/WH	44.9/1.5	37.8/1.3	33.5/1.5	43.7/1.5	36.8/1.4	32.4/1.3	42.1/1.6	35.4/1.5	31.0/1.3
	RDORKIT5A/030UNVD840/22G/WH									
	RDORKIT5A/030UNVD850/22G/WH									
	RDORKIT5A/030UNVD835/22G/WH/E									
	RDORKIT5A/030UNVD840/22G/WH/E									
RDORKIT5A/030UNVD850/22G/WH/E										
2'x4' 34W	RDORKIT5A/034UNVD835/24G/WH	51.8/1.5	43.6/1.3	38.7/1.5	50.5/1.5	42.5/1.4	37.4/1.3	48.6/1.6	40.8/1.5	35.7/1.3
	RDORKIT5A/034UNVD840/24G/WH									
	RDORKIT5A/034UNVD850/24G/WH									
	RDORKIT5A/034UNVD835/24G/WH/E									
	RDORKIT5A/034UNVD840/24G/WH/E									
RDORKIT5A/034UNVD850/24G/WH/E										
2'x4' 45W	RDORKIT5A/045UNVD835/24G/WH	71.5/1.5	60.2/1.3	53.4/1.5	69.6/1.5	58.6/1.4	51.5/1.3	67.0/1.6	56.2/1.5	49.2/1.3
	RDORKIT5A/045UNVD840/24G/WH									
	RDORKIT5A/045UNVD850/24G/WH									
	RDORKIT5A/045UNVD835/24G/WH/E									
	RDORKIT5A/045UNVD840/24G/WH/E									
RDORKIT5A/045UNVD850/24G/WH/E										

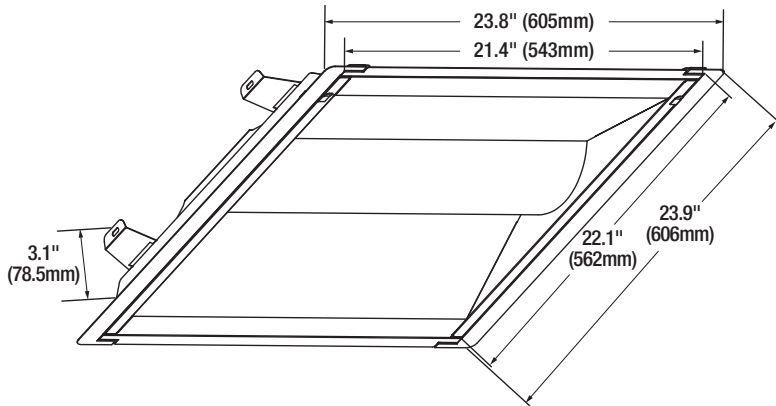
## Physical Information

Luminaire Description	Length	Width	Height
1x4	47.8" (1215mm)	11.9" (302mm)	3.1" (78.5mm)
2x2	23.8" (605mm)	23.9" (606mm)	3.1" (78.5mm)
2x4	47.8" (1215mm)	23.9" (606mm)	3.1" (78.5mm)

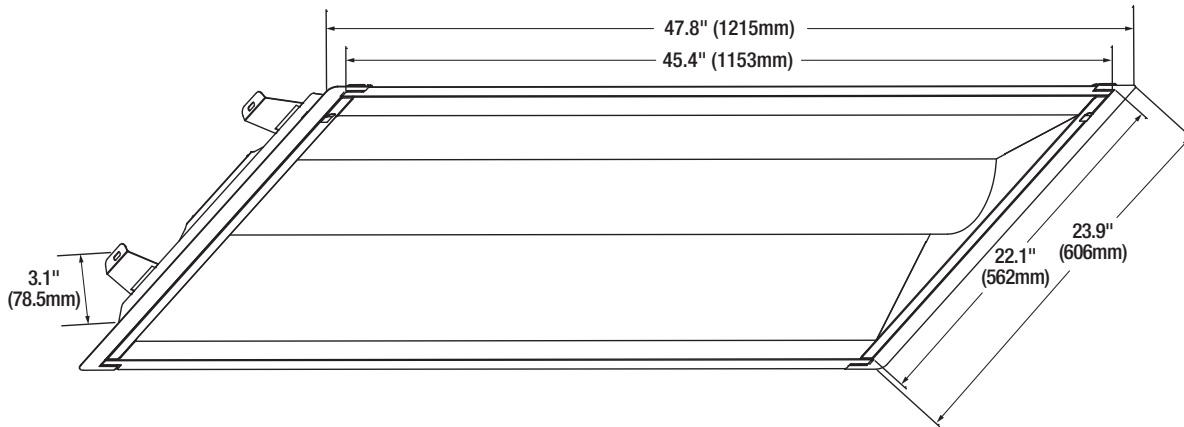
### 1x4



### 2x2



### 2x4



LEDVANCE LLC  
 200 Ballardvale Street  
 Wilmington, MA 01887 USA  
 Phone 1-800-LIGHTBULB (1-800-544-4828)  
 www.sylvania.com

Name: \_\_\_\_\_  
 Email: \_\_\_\_\_  
 Phone: \_\_\_\_\_

SYLVANIA and LEDVANCE are registered trademarks.  
 All other trademarks are those of their respective owners.  
 Licensee of product trademark SYLVANIA in general lighting.  
 Specifications subject to change without notice.

/sylvania /sylvania

