

# SYLVANIA Luminaires

## ValueLED™ Emergency Lights

### Application

The brightly lit SYLVANIA ValueLED Emergency Lights are slim, low profile emergency lighting solutions that provide a crisp, clean look and the excellent energy-saving benefits of LED technology. These LED emergency lights are ideal for buildings, offices and a broad range of commercial facilities.

### Benefits and Features

- Slim profile, lightweight, easy to install emergency light that replaces traditional incandescent
- Bright, energy-efficient LEDs provide energy savings up to 91%
- Surface mounting
- 6500K color temperature
- CRI >80
- Offered in 2.2 watts
- Energy savings up to 91%

### Electrical

- 120/277V<sub>AC</sub>
- Power Factor >90%
- THD <20%

### Rated Life

- 50,000 hours (L<sub>70</sub>)

### Warranty

- 5-year

### Ambient Operating Range

- 32°F to +104°F (0°C to +40°C)

### Certifications and Listings

- cULus (UL 924 & CAN/CSA C22.2 No 141-10)
- RoHS
- FCC
- Damp location rated
- Certified in the CA Title 20 Appliance Efficiency Database for Small Battery Chargers

### Installation

- Universal J Box mounting pattern

Item #
Type
Project
Notes
Date



### Wattage Comparison

Traditional Source	LED System Wattage	Energy Savings
2 x 24W halogen	2 x 1.1W	91%



## Ordering Guide

### Emergency Lights

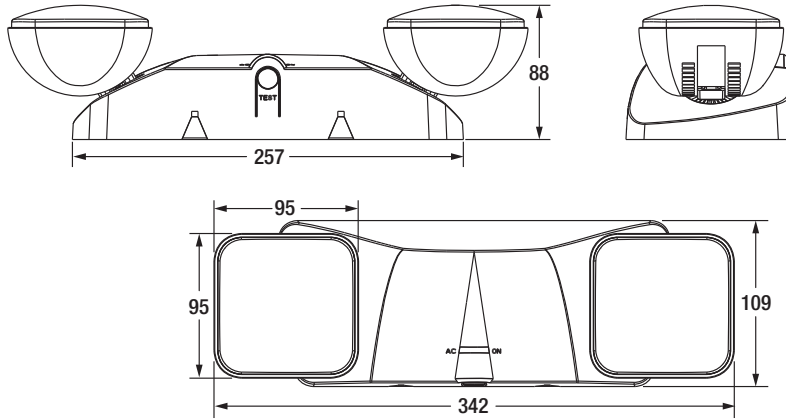
EMLIGHT	1X	/	3	DV	TH	X	/	S	/	WH
Product Name	Generation		Wattage	Voltage	Luminaire Type	Head Shape		Mounting		Color
EMLIGHT =	1A		3 = 3 Watts	DV = Dual Voltage (120/277)	TH = Twin Head	S = Square head R = Round head		S = Surface Mounting		WH = White
Emergency Light	1B									

## Ordering Information

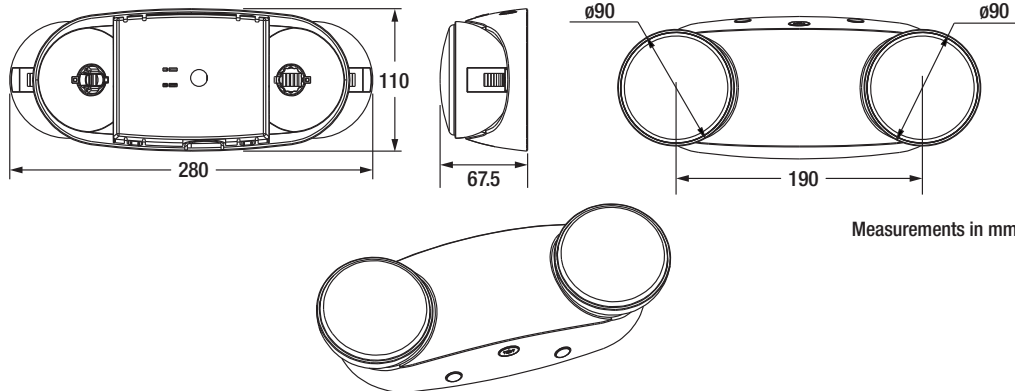
Item Number	Ordering Abbreviation	Power (W)	Input Voltage	Total Fixture Lumens	CRI	CCT	Lamp Shape	Options
60763	EMLIGHT1A/3DVTHS/S/WH	2	120/277	200	80	6500K	Square	Emergency Back-up
60764	EMLIGHT1B/3DVTNR/S/WH	2	120/277	220	80	6500K	Round	Emergency Back-up

## Physical Information

### EMLIGHT1A



### EMLIGHT1B



Measurements in mm.

## Additional Specifications

- Built-in 1.2V 1000mAh Nickel cadmium battery for minimum 90 minutes emergency operation
- Maximum 24 hours for full recharge time
- Test switch and charge indicator

LEDVANCE LLC  
 200 Ballardvale Street  
 Wilmington, MA 01887 USA  
 Phone 1-800-LIGHTBULB (1-800-544-4828)  
[www.sylvania.com](http://www.sylvania.com)

SYLVANIA and LEDVANCE are registered trademarks.  
 All other trademarks are those of their respective owners.  
 Licensee of product trademark SYLVANIA in general lighting.  
 Specifications subject to change without notice.

[/sylvania](https://twitter.com/sylvania) [/sylvania](https://facebook.com/sylvania)

© 2019 LEDVANCE LLC

Name: \_\_\_\_\_  
 Email: \_\_\_\_\_  
 Phone: \_\_\_\_\_

