

## LED FLAT PANEL

### Fixture Ordering Guide

#### 2x4

Item	Wattage	Lumen Output	CRI	Light Efficiency
TRP-06X04-WAD-xxx*	70W	9240	80+	132m/W
TRP-03X04-WAD-xxx*	45W	5400	80+	120lm/W

DLC Part number NPL-70W24D  
DLC Part number NPL-45W24D

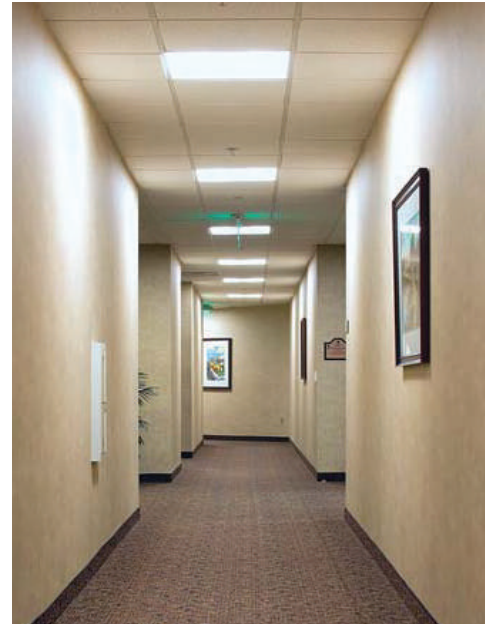
\*Light color(xxx): 850 = 5000K and 840 = 4000K

#### 2x2

Item	Wattage	Lumen Output	CRI	Light Efficiency
TRP-03X02-WAD-xxx*	40W	4400	80+	111lm/W

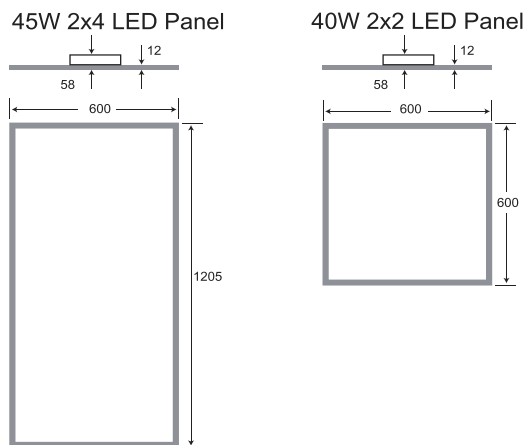
DLC Part number NPL-40W22D

\*Light color(xxx): 850 = 5000K and 840 = 4000K



Easy to install, simply remove old fluorescent troffer fixture, and use the existing T-bar application to secure LED panel. Direct wire and start saving.

### Dimensions



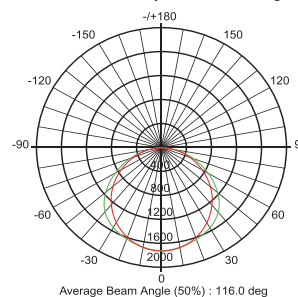
\*\*Unit: MM

(Contact our sales team for IES, LM-79 report)

### Photometrics

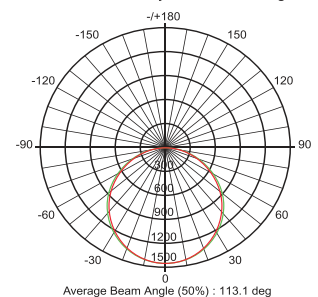
45W 2x4 LED Panel

Luminous Intensity Distribution Diagram



40W 2x2 LED Panel

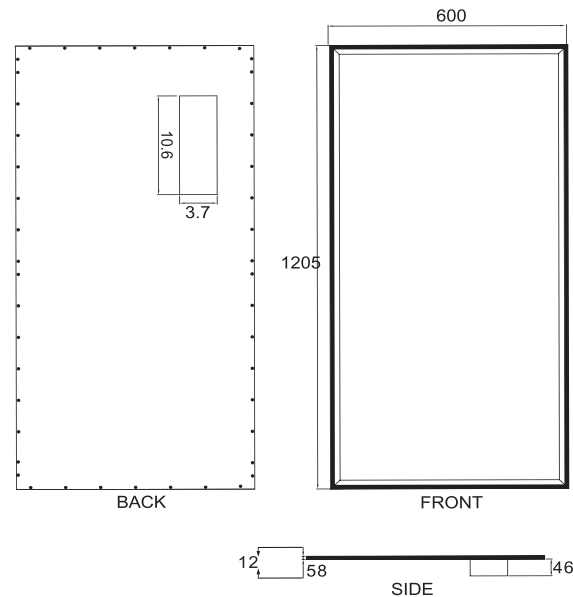
Luminous Intensity Distribution Diagram



# LED FLAT PANEL

## General Specifications

<b>Item #</b>	TRP-06X04-WAD-840* TRP-03X04-WAD-850*	
<b>Watts</b>	70	45
<b>Volts</b>	100-277VAC, 50/60Hz	
<b>Diffuser</b>	Premium Acrylic	
<b>CRI</b>	>80	
<b>Color Temp</b>	3000K/4000K/5000K	
<b>LEDs</b>	SMD2835/0.2W	
<b>LED Brand</b>	EPISTAR	
<b>Lumens</b>	9240LM (70W)	5400LM (45W)
<b>Efficiency (LPW)</b>	100+	
<b>Beam Angle</b>	120°	
<b>Dimmable</b>	Yes	
<b>Dimming Type</b>	0-10V dimming/ PWM/Resistance	
<b>Driver Brand</b>	Lifud	
<b>Warranty</b>	5 Years	
<b>Average Rated Life</b>	50,000 L70	
<b>Dimensions (Panel) (with Power Supply)</b>	600 x 1205 x 12MM 600 x 1205 x 58MM	
<b>Weight (lbs)</b>	20	



Specifications are subject to change without prior notice.

## Applications



(Contact our sales team for IES, LM-79 report)

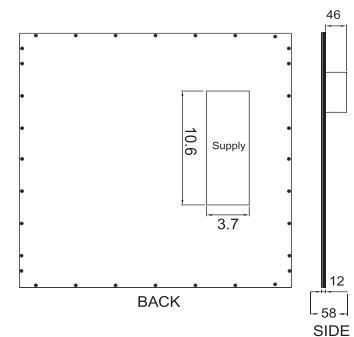
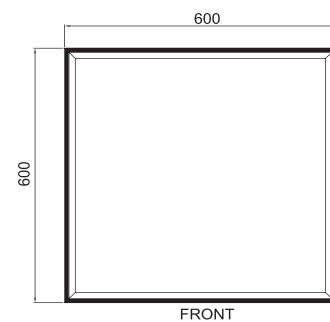


# LED FLAT PANEL

## General Specifications

Item #	TRP-03X02-WAD-840 TRP-03X02-WAD-850
Watts	40
Volts	100-277VAC, 50/60Hz
Diffuser	Premium Acrylic
CRI	>80
Color Temp	3000K/4000K/5000K
LEDs	SMD2835/0.2W
LED Brand	EPISTAR
Lumens	4400LM
Efficiency (LPW)	100+
Beam Angle	110°
Dimmable	Yes
Dimming Type	0-10V dimming/ PWM/Resistance
Driver Brand	Lifud
Warranty	5 years
Average Rated Life	50,000 L70
Dimensions (Panel)	600 x 600 x 12MM
(with Power Supply)	600 x 600 x 58MM
Weight (lbs)	11

Specifications are subject to change without prior notice.



## Applications



(Contact our sales team for IES, LM-79 report)



# LED FLAT PANEL SURFACE MOUNT KITS

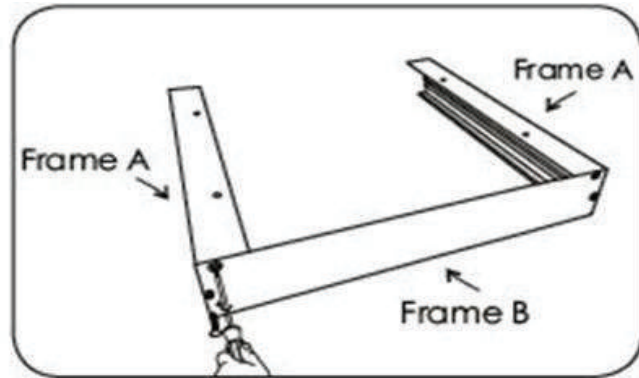
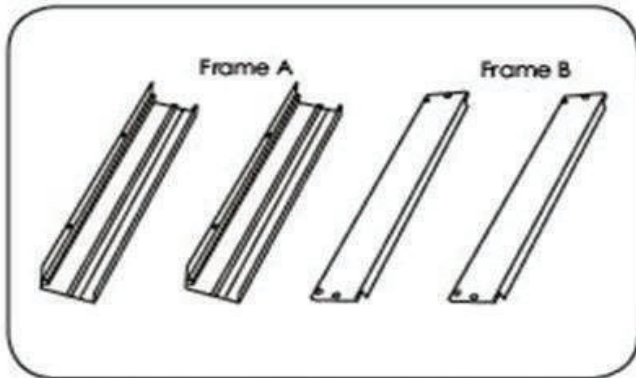
## Ordering Information

PART NO.	SIZE
KRP-22	24 X 24 X 2.4 IN
KRP-24	24 X 48 X 2.4 IN

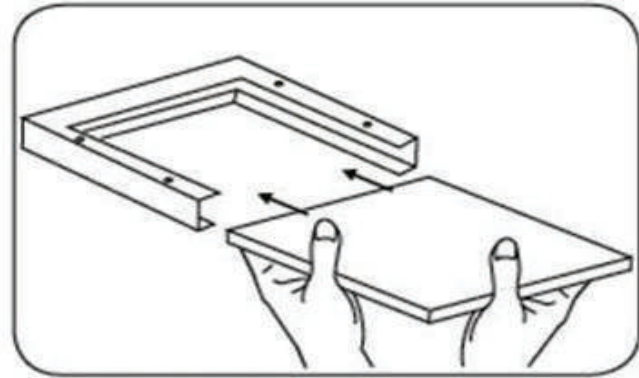
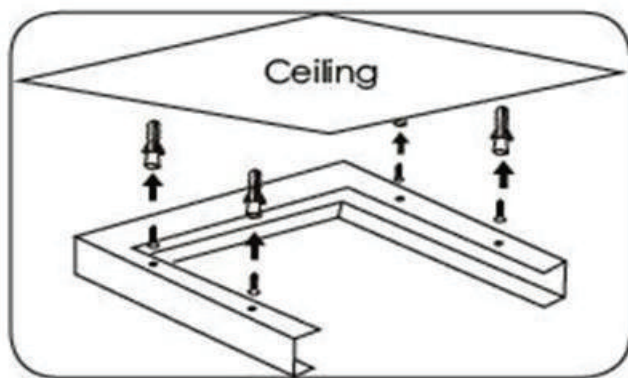


Edge Lit LED Panel

## Installation Instructions



1. Identify the two frame types as illustrated above
2. Fix the two "A" frames together with one "B" frame (Type A and B)



3. Mount the frame to the ceiling
4. Slide the Panel into the frame